

ROOMS TO GO
KIDS
Manufactured for Rooms to Go

IVY LEAGUE 2.0 COLLECTION

THANK YOU FOR YOUR PURCHASE



WARNING DANGER

Failure to follow these warnings and assembly instructions could result in serious injury or death. To help prevent serious or fatal injuries from entrapment or falls:

- Read all instructions before assembling bunk bed and keep these instructions for future reference.
- Before each usage or assembly, inspect bunk bed for damaged hardware, loose joints, missing parts, or sharp edges. **DO NOT** Use bunk bed if any parts are missing or broken.
- **DO NOT** Use substitute parts. Contact your local Rooms To Go or visit www.ROOMSTOGO.COM for replacement parts and instructional literature if needed.
- Follow the information on the warnings appearing on the upper bunk end structure and on the carton, **DO NOT REMOVE WARNING LABEL FROM BED.**
- Always use the recommended size mattress or mattress supports, or both to help prevent the likelihood of entrapment or falls.
- Ensure thickness of mattress and foundation combine does not exceed **10 inches (255mm)** and mattress surface is at least **5 inches (127mm)** below upper edge of guardrails.
- Do not allow children under 6 years of age to use the upper bunk.
- Periodically check and ensure that the guardrail, ladder, and other components are in their proper position, free from damage, and that all connectors are tight.
- Do not allow horseplay on or under the bed and prohibit jumping on the bed.
- Limit top bunk use to one person.
- Always use the ladder for entering and leaving the upper bunk.
- Use of night light may provide added safety precaution for a child using the upper bunk.
- Always use guardrails on both long sides of the upper bunk. If the bunk bed will be placed next to the wall, the guardrail that runs the full length of the bed should be placed against the wall to prevent entrapment between the bed and wall.
- The use of water or sleep flotation mattress is prohibited.
- This bunk bed meets all the requirements of ASTM 1427-19.



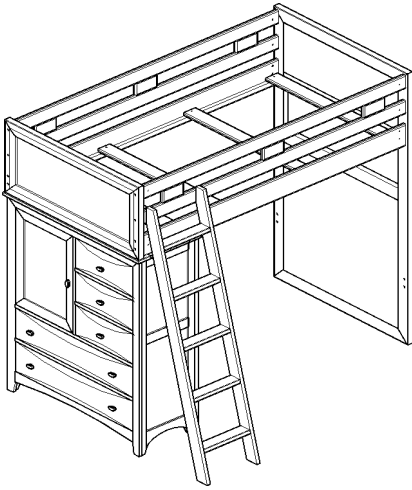
STRANGULATION HAZARD:

Never attach or hang items to any part of the bunk bed that are not designed for use with the bed; for example, but not limited to, hooks, belts, and jump ropes.

CONFIGURATIONS

Choose your configuration, read all the instructions, identify all components, and be sure you have all parts prior to assembly

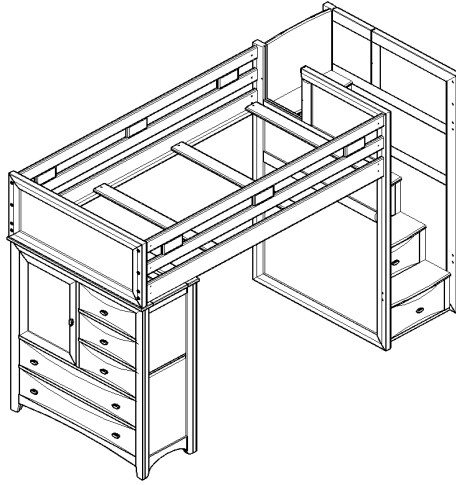
Reference page 3-5 for assembly steps



TWIN LOFT W/CHEST

3502360P WALNUT 3501326P WHITE

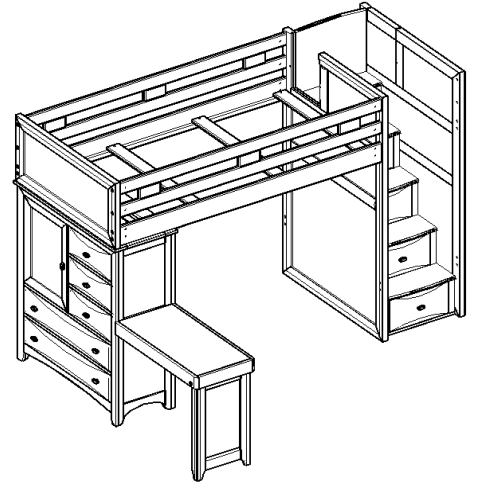
Reference page 6-8 for assembly steps



TWIN STEP LOFT W/CHEST

3572360P WALNUT 3571326P WHITE

Reference page 9-12 for assembly steps



TWIN STEP LOFT W/CHEST & DESK ATTACHMENT

3582360P WALNUT 3581326P WHITE

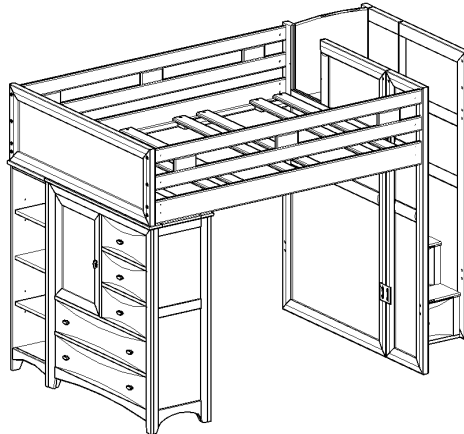
Reference page 13-16 for assembly steps



FULL LOFT W/CHEST-BOOKCASE

3542360P WALNUT 3541326P WHITE

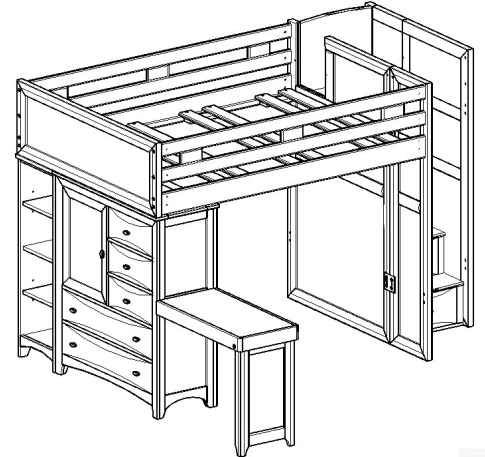
Reference page 17-23 for assembly steps



FULL STEP LOFT W/CHEST-BOOKCASE

3632360P WALNUT 3631326P WHITE

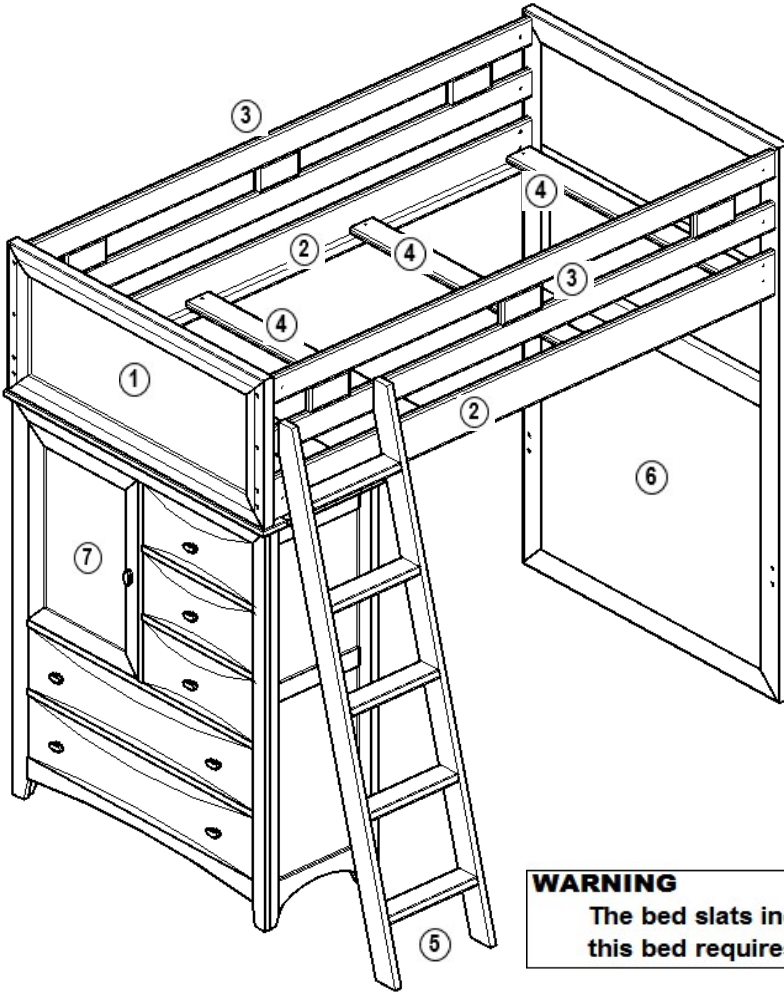
Reference page 24-32 for assembly steps



FULL STEP LOFT W/CHEST-BOOKCASE & DESK ATTACHMENT

3642360P WALNUT 3641326P WHITE

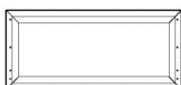
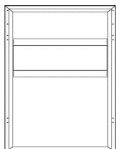






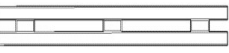


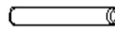
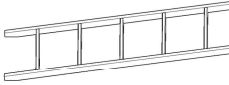


PARTS LIST



3502360P TWIN/LOFT W/CHEST WALNUT		
RTG SKU #	STYLE #	ITEM DESCRIPTION
35423603	3260706	TWIN BUNKBED END
35623607	3260705	TWIN TOP BUNKBED END
36523606	3260731	2 SIDE RLS/2 GUARD RLS
35923603	3260711	5 DRW. LOFT CHEST
36723600	3260720	LADDER
38000232	100-645	TWIN SLAT PACK (4)

3501326P TWIN/LOFT W/CHEST WHITE		
RTG SKU #	STYLE #	ITEM DESCRIPTION
35413260	3261706	TWIN BUNKBED END
35613264	3261705	TWIN TOP BUNKBED END
36513263	3261731	2 SIDE RLS/2 GUARD RLS
35913260	3261711	5 DRW. LOFT CHEST
36713267	3261720	LADDER
38000232	100-645	TWIN SLAT PACK (4)

WARNING
 The bed slats included with this bed will not support a mattress alone, this bed requires Bunkie boards (sold separately)

PARTS LIST		QTY	PARTS LIST		QTY	HARDWARE LIST		QTY	TOOLS NEEDED	
1	 Twin top bunk bed end	1 Pc	6	 Headboard/footboard	1 Pc	A	 50 mm Bolts	16 Pcs	Phillips screwdriver (not included) 	
2	 Side rails	2 Pc	7	 5 Drw Loft chest	1 Pc	B	 Allen wrench	1 Pc	Allen wrench (included) 	
3	 Guardrails	2 Pc				C	 1 1/4" Screws	8 Pcs		
4	 Slats	4 Pc				D	 Metal pin	2 Pcs		
5	 Ladder	1 Pc				E	 1" Screws	6 Pcs		
						F	 Ladder hook	2 Pcs		

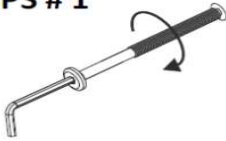
**TWO PEOPLE ARE NEEDED TO ASSEMBLE
 DO NOT TIGHTEN COMPLETELY UNTIL ALL PIECES
 ARE CONNECTED TOGETHER**

ASSEMBLY INSTRUCTIONS

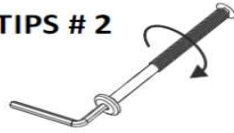
TIPS : SEE ILLUSTRATION BELOW

- 1- Use the long end of the allen wrench to fasten bolts loosely and quickly.
- 2- Use the short end of the allen wrench for final tightening

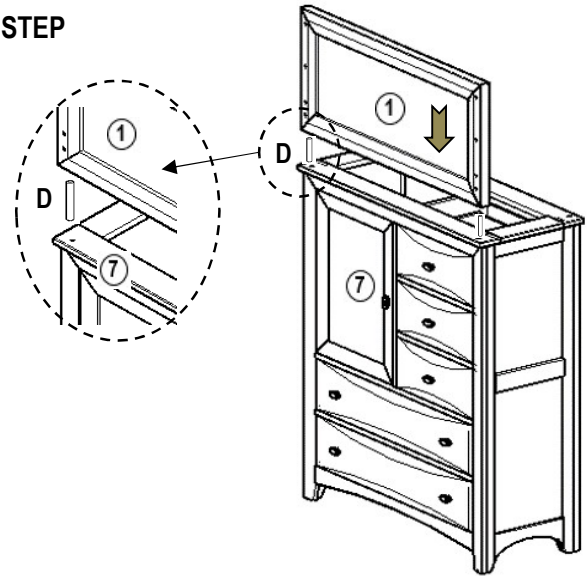
TIPS # 1



TIPS # 2

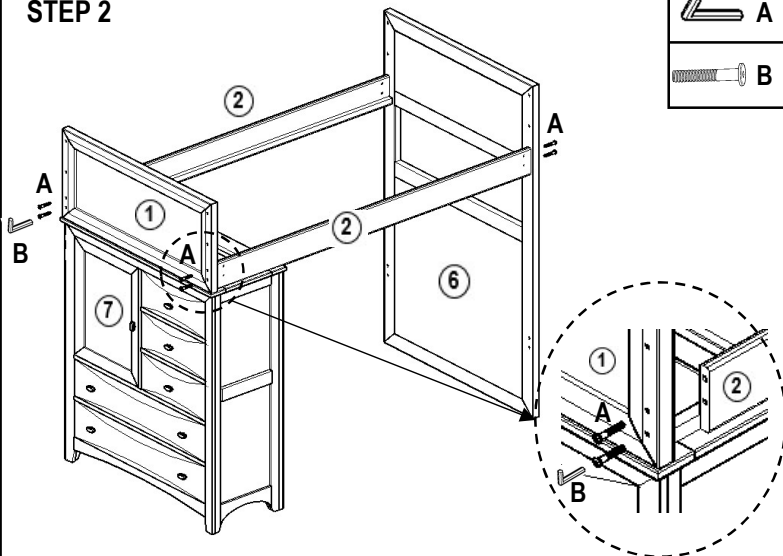


STEP



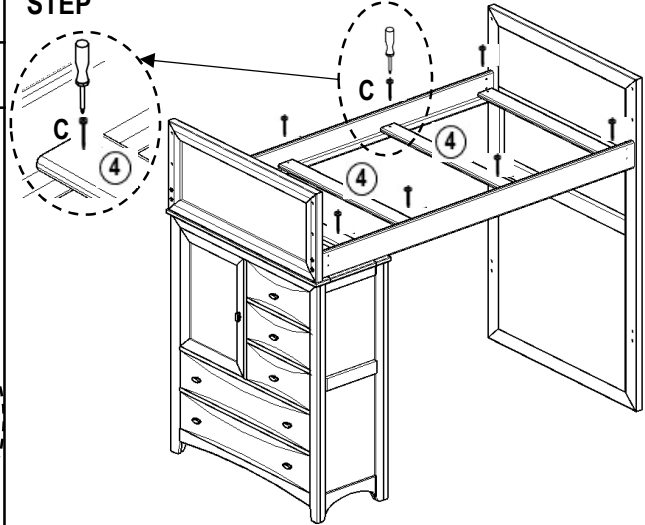
Assemble left chest and top bunkbed end.

STEP 2



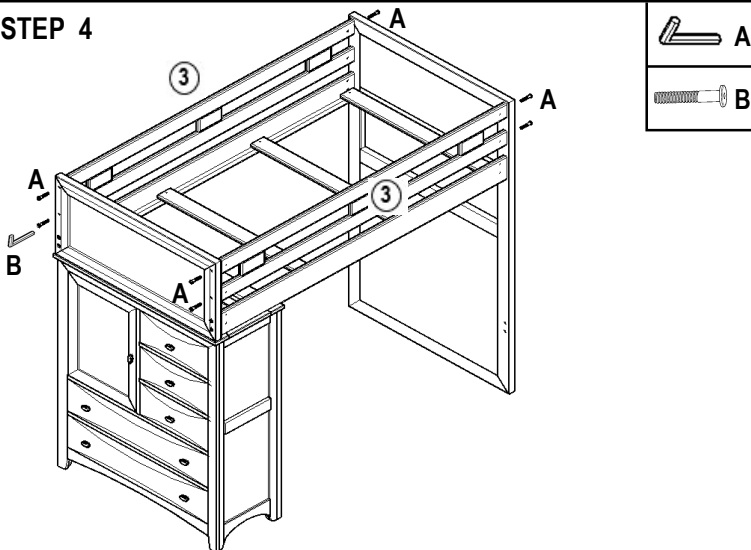
Assemble top side rails.

STEP



Install slats, one on each end, two equally spaced in the middle, then fasten with 1 1/4" screws.

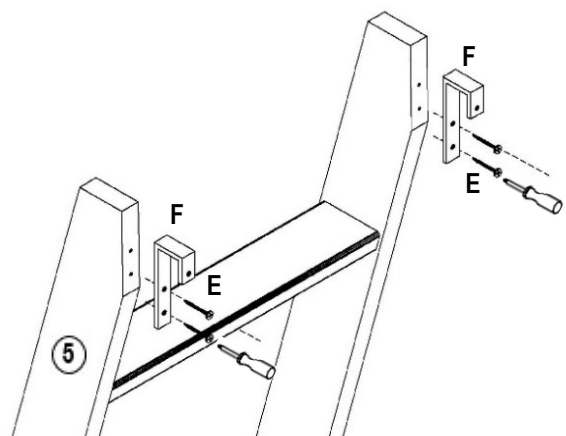
STEP 4



Assemble guardrails and tighten all bolts.

MAKE SURE ALL BOLTS ARE TIGHTENED COMPLETELY

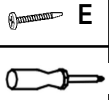
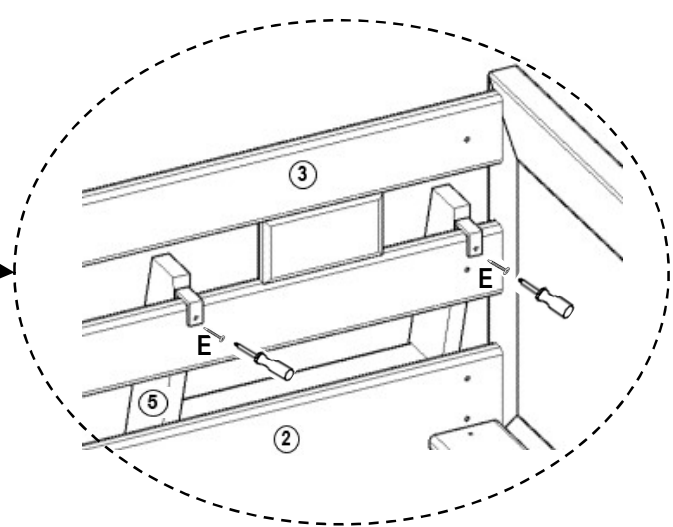
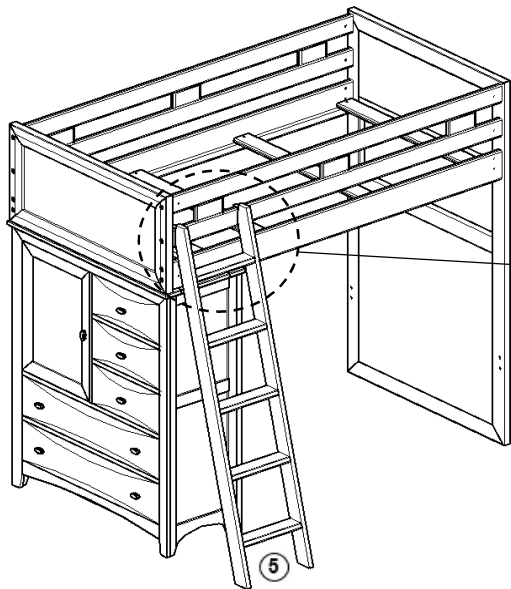
STEP 5



Screw ladder hooks to pre-drilled holes on top of ladder.

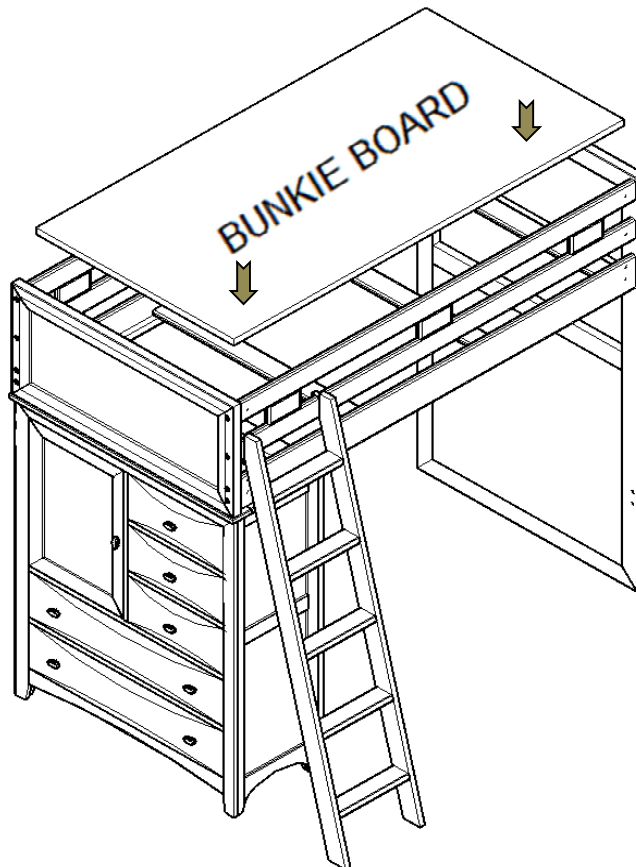
ASSEMBLY INSTRUCTIONS

STEP 6



Screw ladder to guardrail as shown.

STEP 7



Place Bunkie boards (required, sold separately) on top of the slats

Use only correct mattress dimensions and Bunkie board:

Twin size mattress- 74" - 75" long and 37-1/2" - 38-1/2" wide

Twin size Bunkie board- 74" long and 37-1/2" wide

Full size mattress- 74" - 75" long and 52-1/2" - 53-1/2" wide

Full size Bunkie board- 74" long and 52-1/2" wide

PLEASE CONTACT YOUR RETAIL STORE WITH SERVICE OR PARTS REPLACEMENT REQUEST