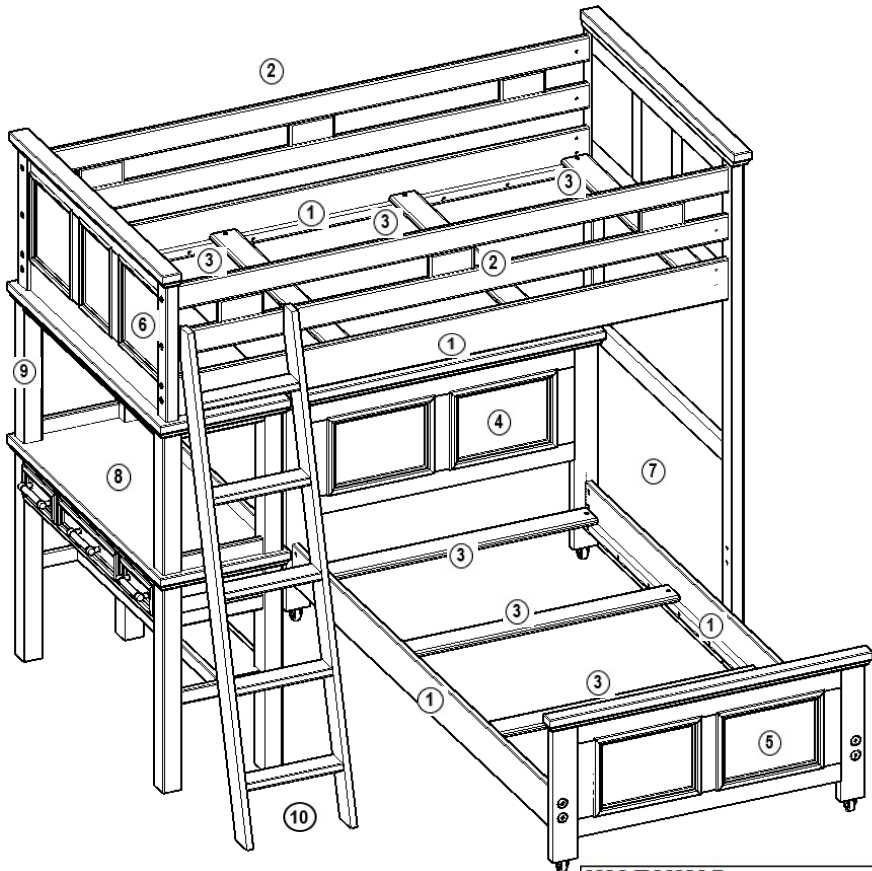


PARTS LIST



3503400P TWIN/TWIN LOFT W/DESK JAVA		
RTG SKU #	STYLE #	ITEM DESCRIPTION
35034002	34C-706	TWIN BUNKBED END
35134004	34C-705	TWIN TOP BUNK END
35534002	34C-707	TWIN BOTTOM HD/FT
35734006	34C-730	4 SIDE RLS/2 GUARD RLS
35334008	34C-600	LOFT DESK
35434000	34C-766	LOFT HUTCH
35834008	34C-720	LADDER
38000232	100-645	TWIN SLAT PACK (4)
38000232	100-645	TWIN SLAT PACK (4)

3503401P TWIN/TWIN LOFT W/DESK ASH GRAY		
RTG SKU #	STYLE #	ITEM DESCRIPTION
35034014	34G-706	TWIN BUNKBED END
35134016	34G-705	TWIN TOP BUNK END
35534014	34G-707	TWIN BOTTOM HD/FT
35734018	34G-730	4 SIDE RLS/2 GUARD RLS
35334010	34G-600	LOFT DESK
35434012	34G-766	LOFT HUTCH
35834010	34G-720	LADDER
38000232	100-645	TWIN SLAT PACK (4)
38000232	100-645	TWIN SLAT PACK (4)

WARNING

The bed slats included with this bed will not support a mattress alone, this bed requires Bunkie boards (sold separately)

PARTS LIST		QTY	PARTS LIST		QTY	HARDWARE LIST		QTY
1	Side rails	4 Pcs	7	Twin bunkbed end	1 Pc	A	5/16-18 x 50 mm Bolt	24 Pcs
2	Guardrails	2 Pcs	8	Loft desk	1 Pc	B	5 mm Hex key	1 Pc
3	Twin slats	8 Pcs	9	Loft hutch	1 Pc	C	6 x 1 1/4" Drywall screw	16 Pcs
4	Twin bottom headboard	1 Pc	10	Ladder	1 Pc	D	3/8" x 4" Metal pin	4 Pcs
5	Twin bottom footboard	1 Pc				E	Casters	4 Pcs
6	Twin top bunk end	1 Pc				F	6 x 1" Drywall screw	6 Pcs
						G	Ladder Hook	2 Pcs

TOOLS NEEDED	
Phillips screwdriver (not included)	
5 mm Hex key (included)	

**TWO PEOPLE ARE NEEDED TO ASSEMBLE
DO NOT TIGHTEN COMPLETELY UNTIL ALL PIECES
ARE CONNECTED TOGETHER**

ASSEMBLY INSTRUCTIONS

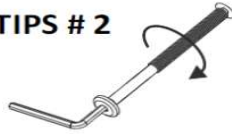
TIPS : SEE ILLUSTRATION BELOW

- 1- Use the long end of the allen wrench to fasten bolts loosely and quickly.
- 2- Use the short end of the allen wrench for final tightening

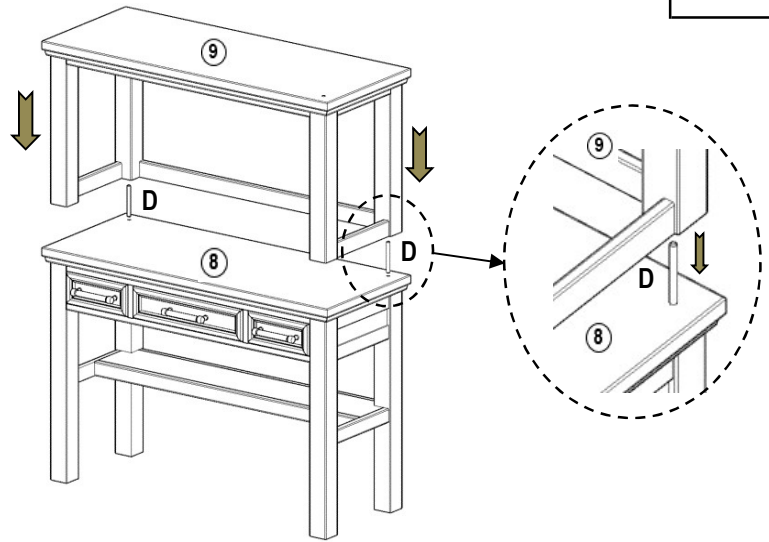
TIPS # 1



TIPS # 2

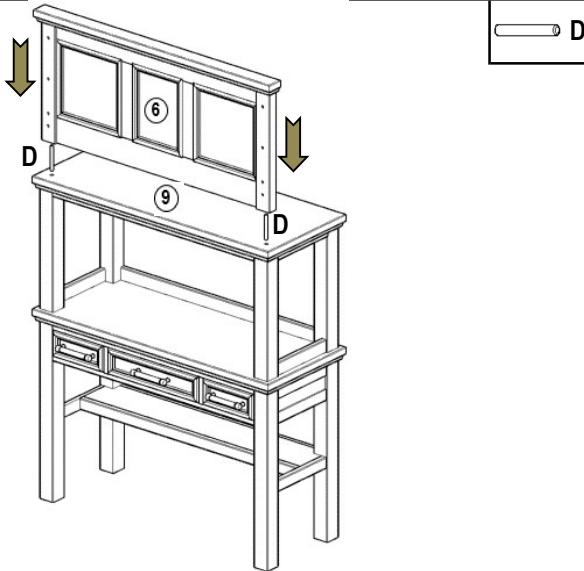


STEP 1



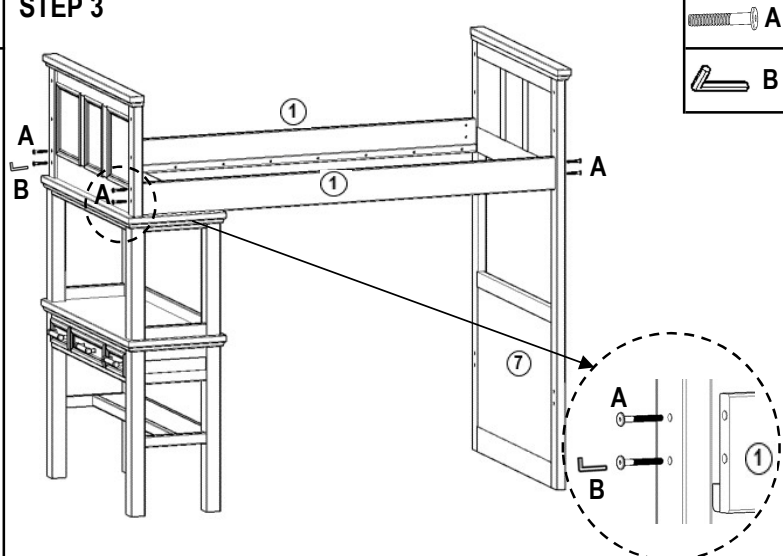
Assemble left hutch on top of left desk.

STEP 2



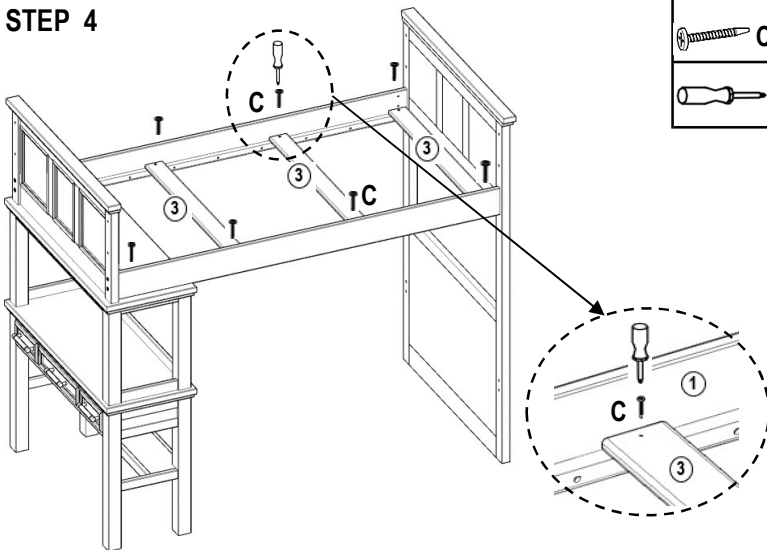
Assemble top bunk end on top of left hutch/loft desk.

STEP 3



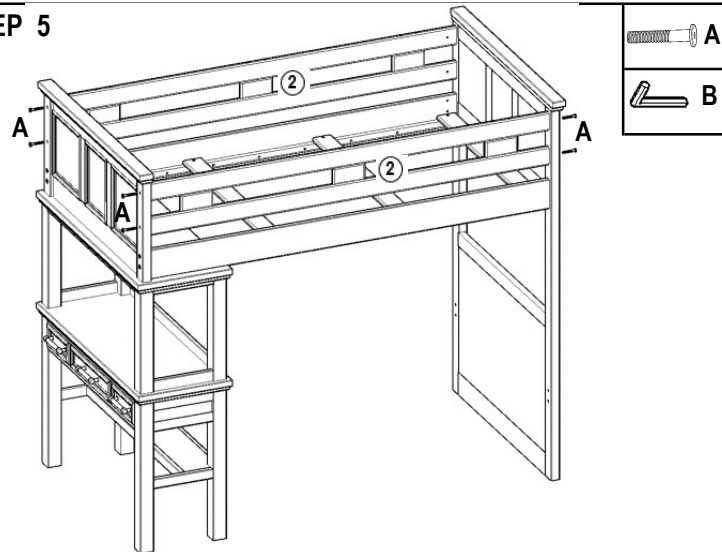
Assemble side rails.

STEP 4



Install slats, one on each end, two equally spaced in the middle, then fasten with 1 1/4" screws.

STEP 5

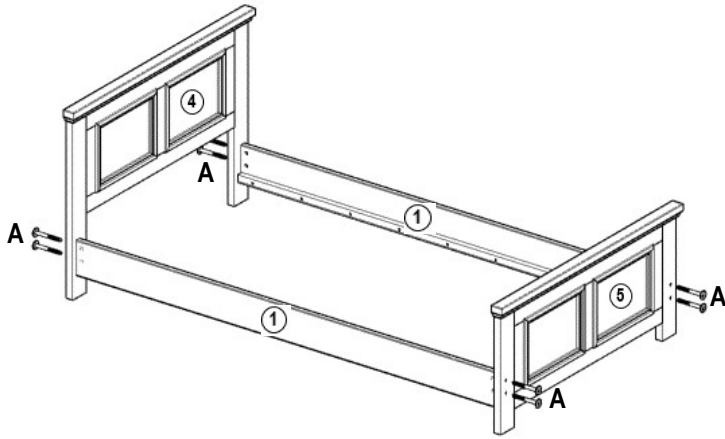
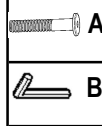


Assemble guardrails and tighten all bolts.

MAKE SURE ALL BOLTS ARE TIGHTENED COMPLETELY

ASSEMBLY INSTRUCTIONS

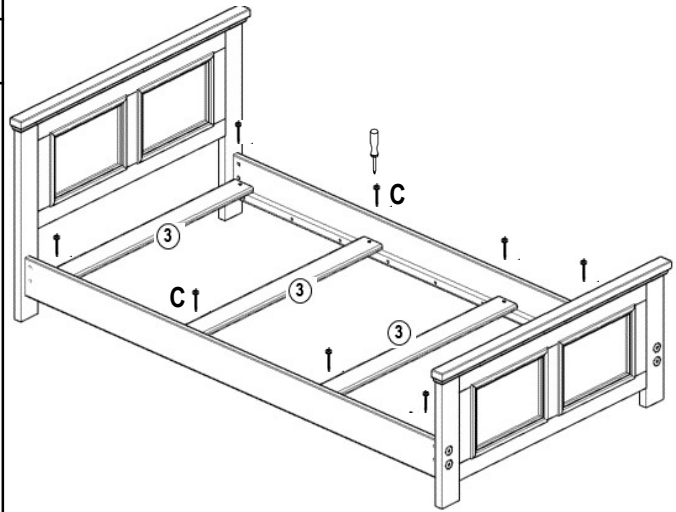
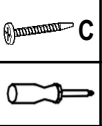
STEP 6



Assemble lower bed.

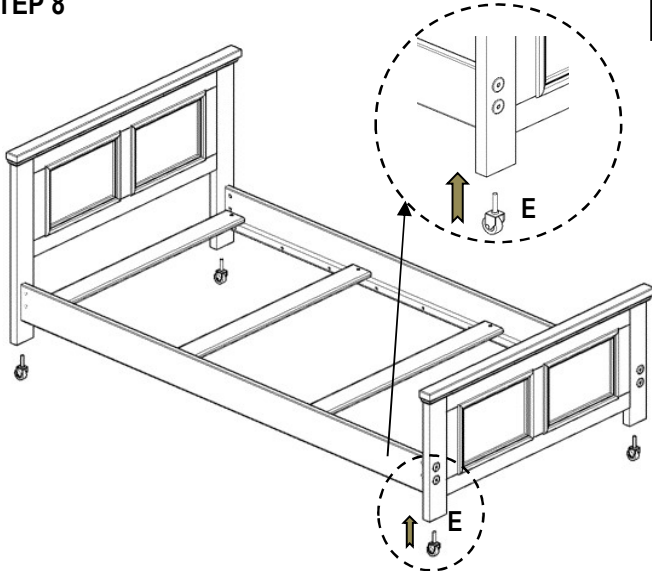
MAKE SURE ALL BOLTS ARE TIGHTENED COMPLETELY

STEP 7



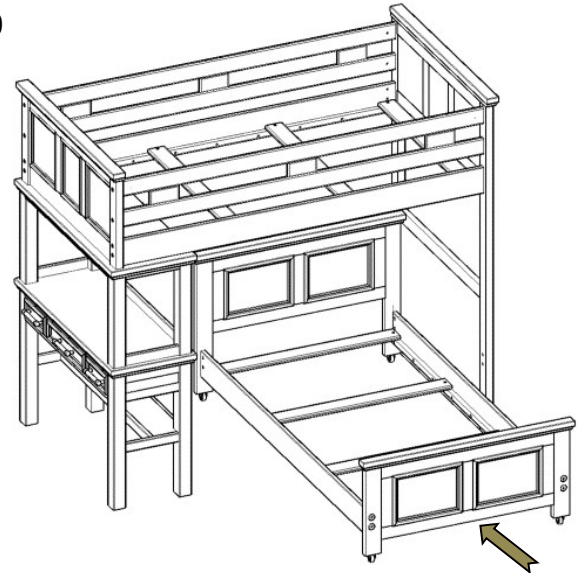
Install slats, one on each end and two equally spaced in the middle, then fasten with 1/4" screws.

STEP 8



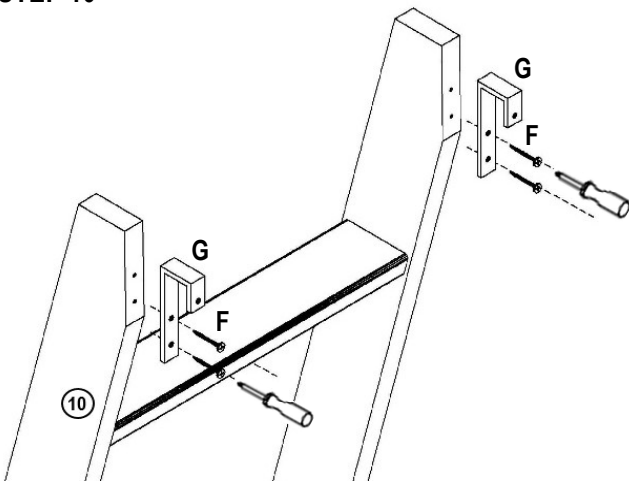
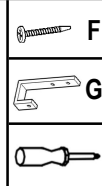
Install casters in headboard and footboard, and set rail cup.

STEP 9



Slide caster bed under Loft bed as shown.

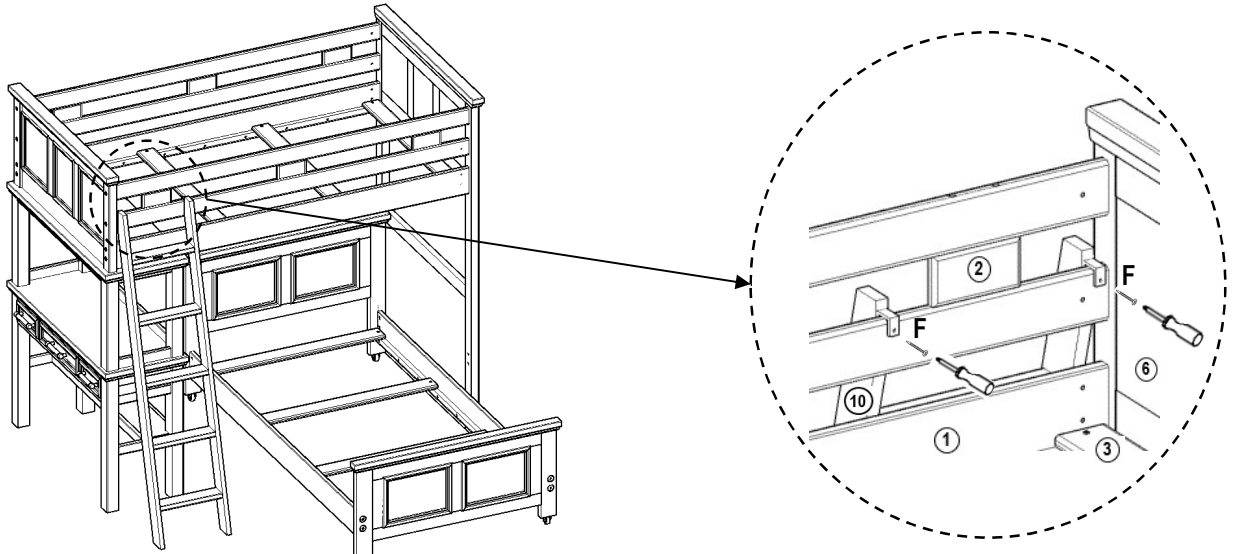
STEP 10



Screw ladder hooks to pre-drilled holes on top of ladder.

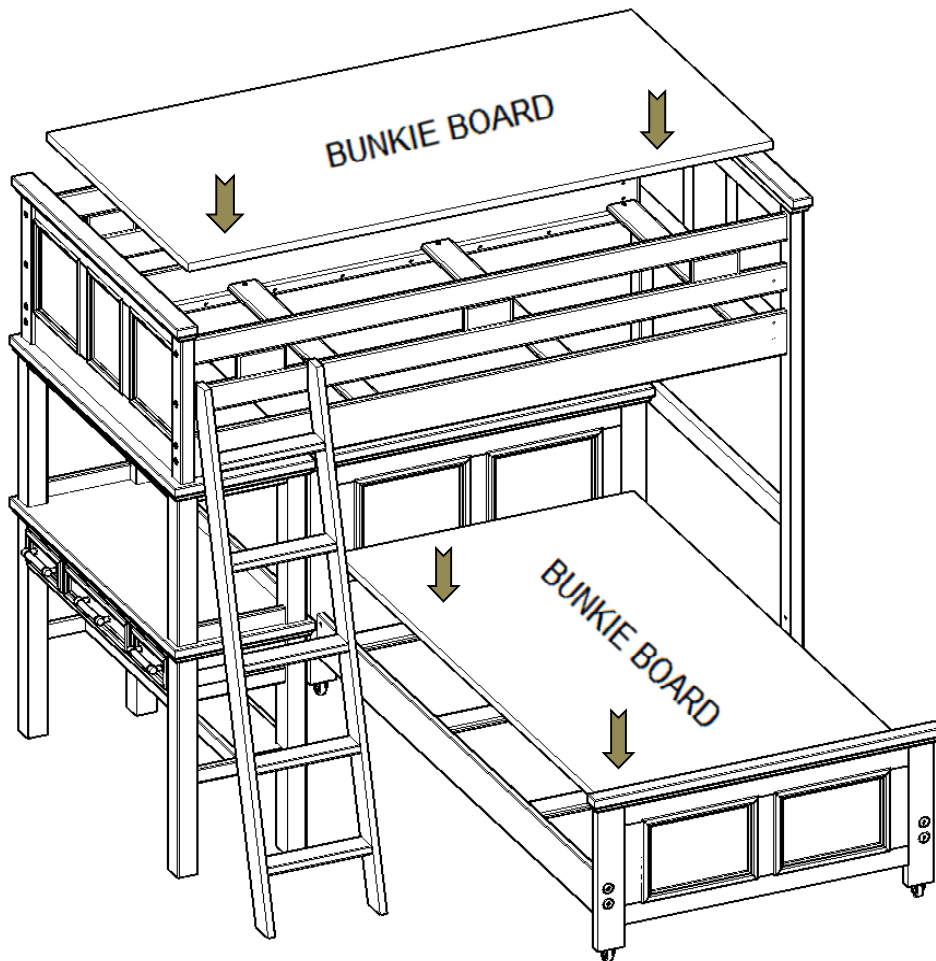
ASSEMBLY INSTRUCTIONS

STEP 11



Attach ladder to guardrail as shown

STEP 12



Place Bunkie boards (required, sold separately) on top of the slats

Use only correct mattress dimensions and Bunkie board:

Twin size mattress- 74" - 75" long and 37-1/2" - 38-1/2" wide

Twin size Bunkie board- 74" long and 37-1/2" wide

Full size mattress- 74" - 75" long and 52-1/2" - 53-1/2" wide

Full size Bunkie board- 74" long and 52-1/2" wide

PLEASE CONTACT YOUR RETAIL STORE WITH SERVICE OR PARTS REPLACEMENT REQUEST