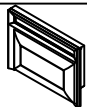
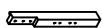

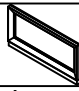

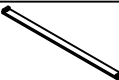



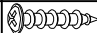


ASSEMBLY INSTRUCTION

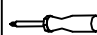
485 17/18 TWIN / FULL BED (CHERRY BROWN)		
SKU#	ITEM#	ITEM DESCRIPTION
34648507	485 - 17H	TWIN UPH HEADBOARD
34748509	485 - 17F	TWIN UPH FOOTBOARD W/SLATS
34848501	485 - 18H	FULL UPH HEADBOARD
34948503	485 - 18F	FULL UPH FOOTBOARD W/SLATS
35048506	485 - 17R	TWIN / FULL RAILS

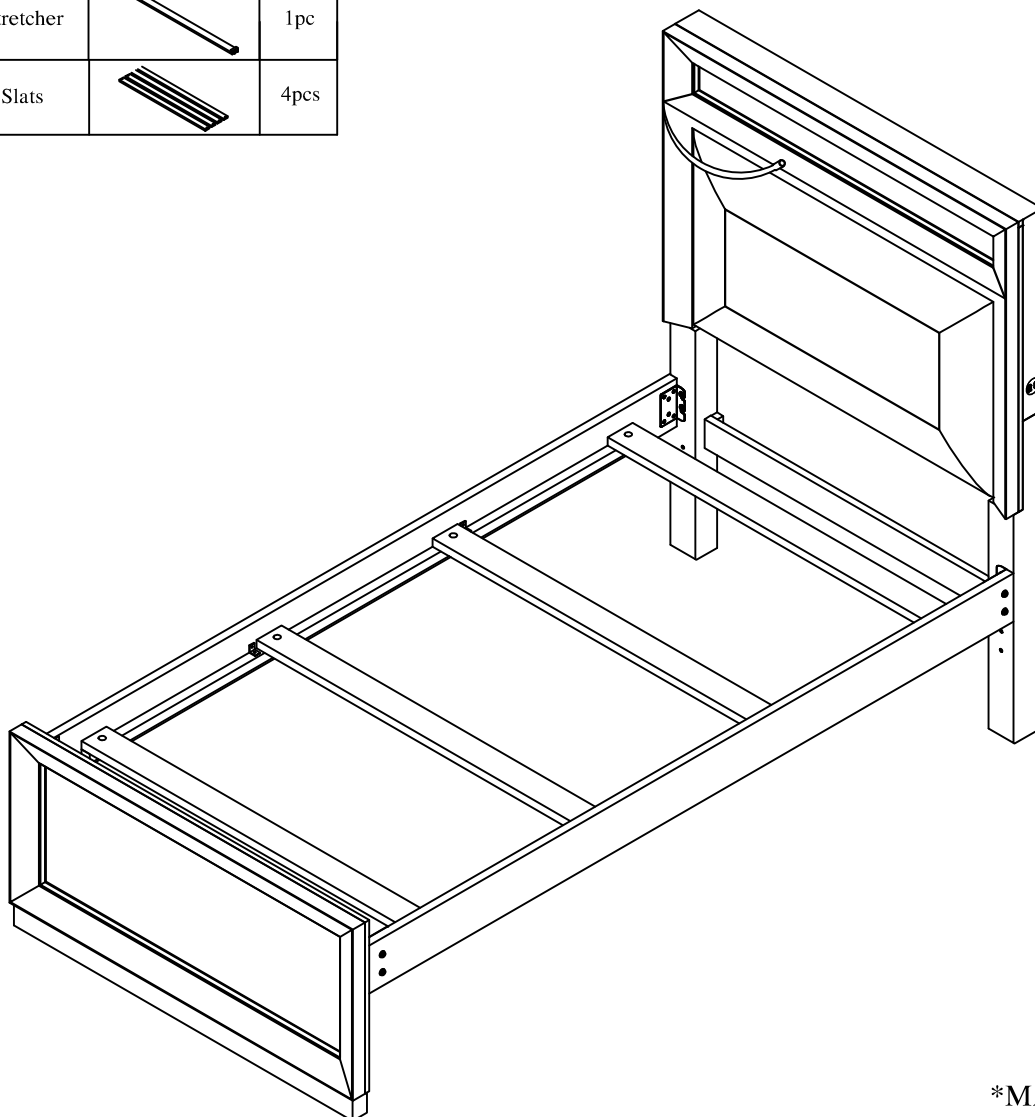
Thank you for purchasing this quality product . Be sure to check all packing material carefully for small parts which may have come loose inside the carton during shipment .Identify and count all parts and compare with the parts list below .

PARTS LIST			QTY
A	HeadBoard		1pc
B	HB Posts	 (R)	2pcs
		 (L)	
C	FootBoard		1pc
D	Side Rails		2pcs
E	Stretcher		1pc
F	Slats		4pcs

HARDWARE LIST			QTY
1		φ5/16"x 2" Bolt	10pcs
		φ5/16"x14mm Lock washer	
		φ5/16"x18mm Flat washer	
2		Allen Key 4mm	1pc
3		φ8"x1" Screw	8pcs

**Note: Hardware bag is placed in items 485-17H, 485-17F, 485-18H, 485-18F.*

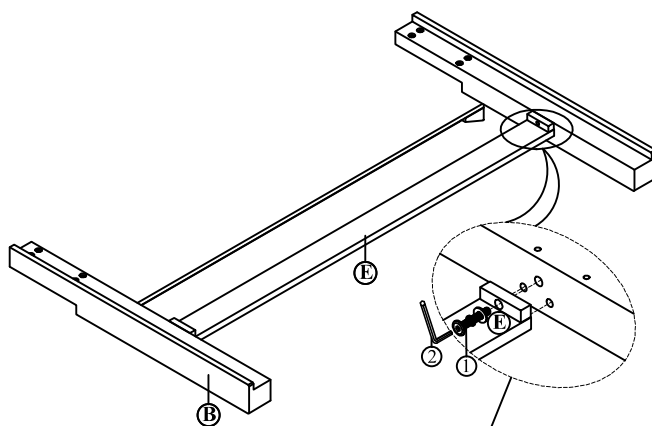
HARDWARE REQUIRED			QTY
4		Screwdriver (Not Provided)	1pc



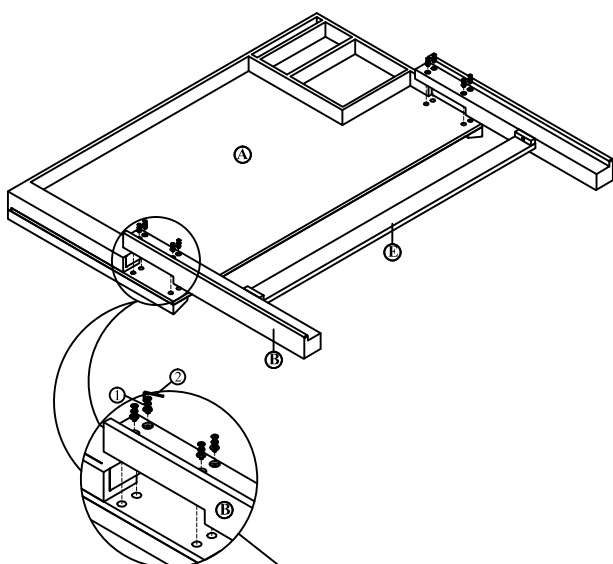
ASSEMBLY INSTRUCTION

485 17/18 TWIN / FULL BED (CHERRY BROWN)		
SKU#	ITEM#	ITEM DESCRIPTION
34648507	485 - 17H	TWIN UPH HEADBOARD
34748509	485 - 17F	TWIN UPH FOOTBOARD W/SLATS
34848501	485 - 18H	FULL UPH HEADBOARD
34948503	485 - 18F	FULL UPH FOOTBOARD W/SLATS
35048506	485 - 17R	TWIN / FULL RAILS

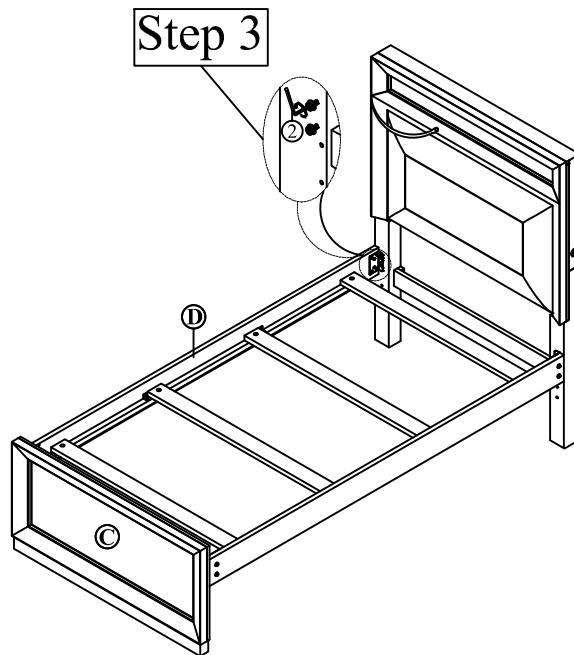
Thank you for purchasing this quality product . Be sure to check all packing material carefully for small parts which may have come loose inside the carton during shipment .Identify and count all parts and compare with the parts list below .



Step 1



Step 2



Step 3

ASSEMBLY INSTRUCTION

485 TWIN / FULL BED (CHERRY BROWN)		
SKU#	ITEM#	ITEM DESCRIPTION
34648507	485 - 17H	TWIN UPH HEADBOARD
34748509	485 - 17F	TWIN UPH FOOTBOARD W/SLATS
34848501	485 - 18H	FULL UPH HEADBOARD
34948503	485 - 18F	FULL UPH FOOTBOARD W/SLATS
35048506	485 - 17R	TWIN / FULL RAILS

Thank you for purchasing this quality product . Be sure to check all packing material carefully for small parts which may have come loose inside the carton during shipment .Identify and count all parts and compare with the parts list below .

OPTION A: Put slats on the lower cleat of side rails.

