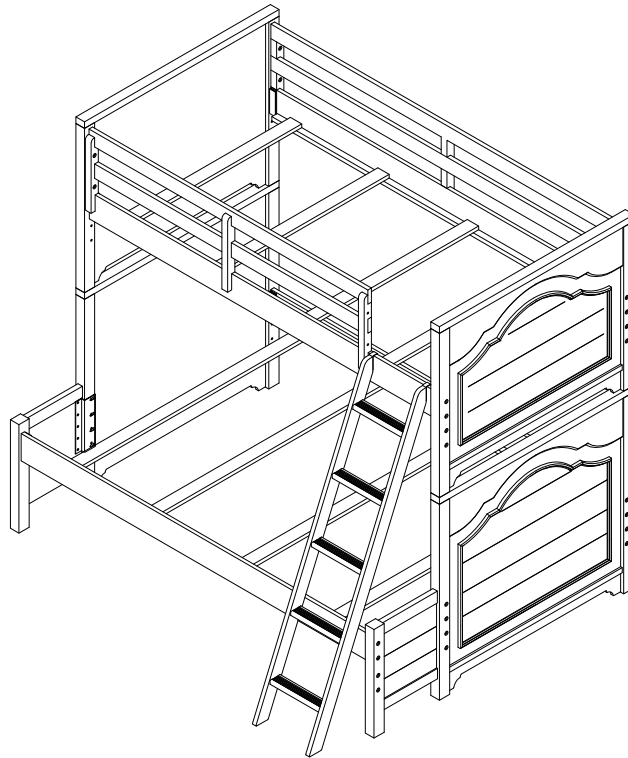


# COUNTRY HOLLOW

## TWIN/FULL BUNK BED



**Use only correct mattress dimensions and Bunkie board:**

- Twin size mattress - 74-1/2" long and 38" wide
- Twin size Bunkie board - 74" long and 37-1/2" wide
- Full size mattress - 74-1/2" long and 53" wide
- Full size Bunkie board - 74" long and 52-1/2" wide

3509951P TWIN/FULL BUNK BED - FAWN		
RTG SKU #	STYLE#	ITEM DESCRIPTION
35399511	9951-8110	BUNK SIDE RAILS W/ 2 SETS 4 TWIN SLATS
35599515	9951-8120	LADDER & GUARD RAIL
35299519	9951-8130U	UPPER BUNK ENDS
35799519	9951-8130L	LOWER BUNK ENDS
35499513	9951-8140	FULL EXTENSION
35899511	N888-4924R	4 FULL BUNK SLATS

**PLEASE CONTACT YOUR RETAIL STORE WITH SERVICE OR PARTS REPLACEMENT REQUEST**

This product is manufactured by LEGC for **ROOMS TO GO** | **KIDS**

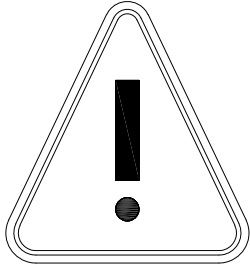
## MATTRESS AND BUNKIE BOARD CHART

PACKAGE	DESCRIPTION	TOP BED	BOTTOM BED
3509951P FAWN	TWIN / FULL BUNK BED	Twin Mattress Twin Bunkie board Required	Full Mattress Full Bunkie board Required

**Use only correct mattress dimensions and Bunkie board:**

- Twin size mattress - 74-1/2" long and 38" wide
- Twin size Bunkie board - 74" long and 37-1/2" wide
- Full size mattress - 74-1/2" long and 53" wide
- Full size Bunkie board - 74" long and 52-1/2" wide

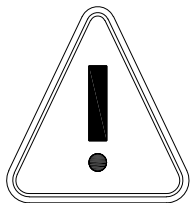
This product is manufactured by LEGC for **ROOMS TO GO** | **KIDS**



## **WARNING DANGER:**

Failure to follow these warnings and assembly instructions could result in serious injury or death. To help prevent serious or fatal injuries from entrapment or falls:

- Read all instructions before assembling bunk bed and keep these instructions for future reference.
- Before each usage or assembly, inspect bunk bed for damaged hardware, loose joints, missing parts, or sharp edges. DO NOT use bunk bed if any parts are missing or broken.
- DO NOT use substitute parts. Contact your local Rooms To Go or visit [www.ROOMSTOGO.com](http://www.ROOMSTOGO.com) for replacement parts and instructional literature if needed.
- Follow the information on the warnings appearing on the upper bunk end structure and on the carton.  
**DO NOT REMOVE WARNING LABEL FROM BED.**
- Always use the recommended size mattresses or mattress supports, or both, to help prevent the likelihood of entrapment or falls.
- Ensure thickness of mattress and foundation combined does not exceed 10" and mattress surface is at least 5" (127mm) below upper edge of guardrails for the upper bunk.
- Do not allow children under 6 years of age to use the upper bunk.
- Periodically check and ensure that the guardrail, ladder, and other components are in their proper position, free from damage, and that all connectors are tight.
- Do not allow horseplay on or under the bed and prohibit jumping on the bed.
- Limit top bunk use to one person.
- Always use the ladder for entering and leaving the upper bunk.
- Use of a night light may provide added safety precaution for a child using the upper bunk.
- Always use guardrails on both long sides of the upper bunk. If the bunk bed will be placed next to the wall, the guardrail that runs the full length of the bed should be placed against the wall to prevent entrapment between the bed and wall.
- The use of water or sleep flotation mattresses is prohibited.
- This bunk bed meets all the requirements of ASTM F1427-21.



### **STRANGULATION HAZARD:**

Never attach or hang items to any part of the bunk bed that are not designed for use with the bed; for example, but not limited to, hooks, belts and jump ropes.

This product is manufactured by LEGC for **ROOMS TO GO** | **KIDS**

## **Pre-Assembly**

### **Warning:**

The bed slats included with this bed will not support a mattress alone, this bed requires Bunkie boards (sold separately).

Read all the instructions, identify all components, choose your configuration, and be sure you have all parts prior to assembly.

Two people are needed to assemble.

### **Tools Needed**

Phillips heads screwdriver (not included)

4mm allen wrench (included)

## **MAKE SURE ALL BOLTS ARE TIGHTENED COMPLETELY**

### **CARE INSTRUCTIONS:**

Dust with a clean, soft cloth. Avoid the use of all abrasive cleaners.

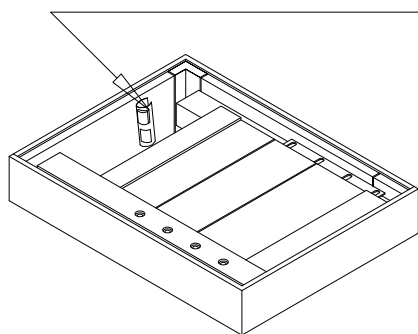
PLEASE CONTACT YOUR RETAIL STORE WITH SERVICE OR PARTS REPLACEMENT REQUEST

This product is manufactured by LEGC for **ROOMS TO GO** | **KIDS**


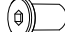

Thank you for purchasing this quality product. Be sure to check all packing materials carefully for small parts which may have come loose inside the carton during shipment. Identify and count all parts and compare with the parts list. Read all instructions before assembling furniture and keep these instructions for future reference.

3509951P TWIN/FULL BUNK BED - FAWN		
RTG SKU	STYLE#	ITEM DESCRIPTION
35499513	9951-8140	FULL EXTENSION

### Hardware pack location

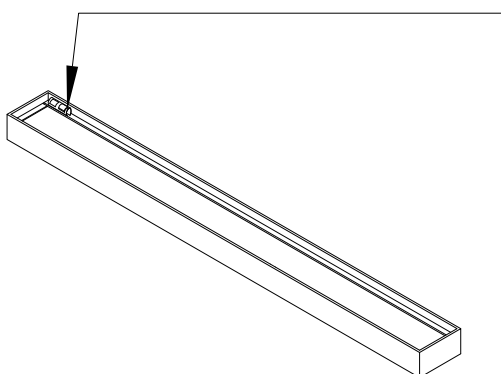


### HARDWARE LIST

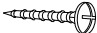
	ITEM DESCRIPTION	IMAGE	Q'TY
A	BOLT	 Ø1/4"*14*38mm	8 PCS
B	HOLE COVER	 Ø1/4"*14*15mm	8 PCS
C	ALLEN KEY	 60*22*4mm	2 PCS

3509951P TWIN/FULL BUNK BED - FAWN		
RTG SKU	STYLE#	ITEM DESCRIPTION
35899511	N888-4924R	4 FULL BUNK SLATS

### Hardware pack location



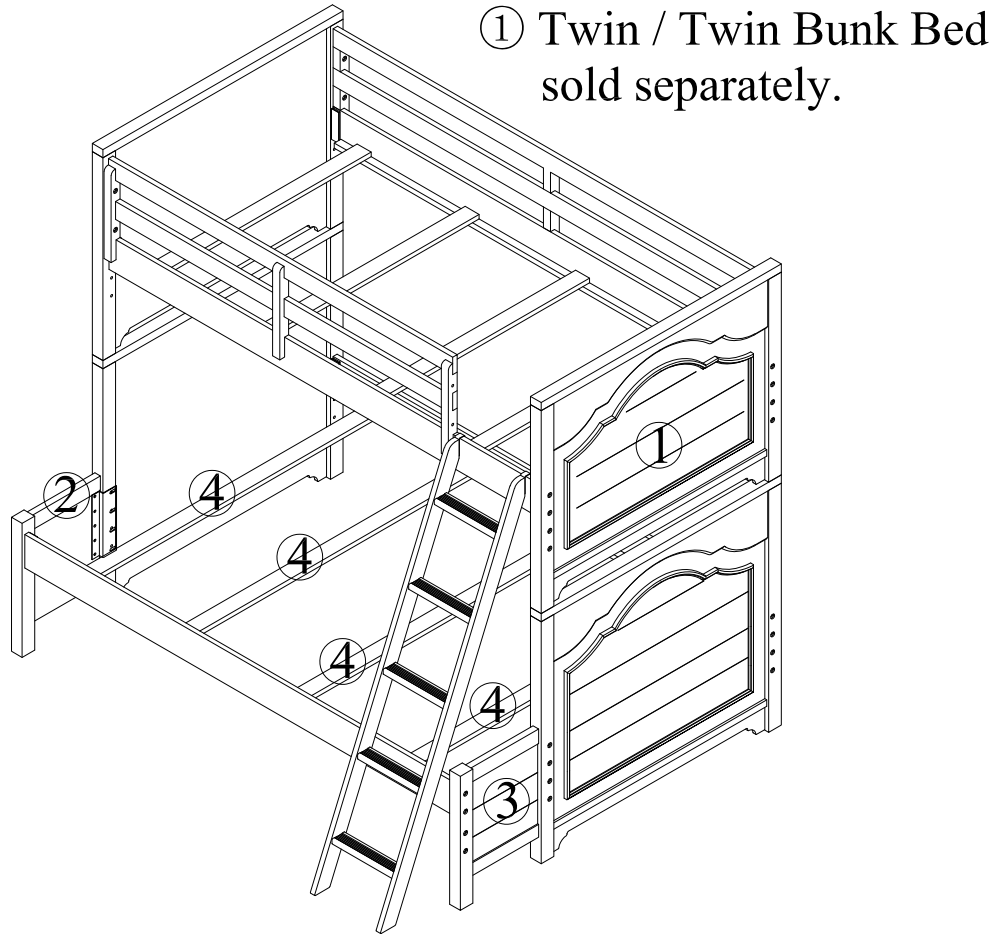
### HARDWARE LIST

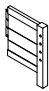
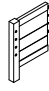
	ITEM DESCRIPTION	IMAGE	Q'TY
D	SCREW	 Ø8*32mm	8 PCS


DO NOT USE SUBSTITUTE PARTS.  
PLEASE CONTACT YOUR RETAIL STORE OR [WWW.ROOMSTOGO.COM](http://WWW.ROOMSTOGO.COM) WITH SERVICE OR PARTS REPLACEMENT REQUEST.

This product is manufactured by LEGC for ROOMS TO GO | KIDS™

## PARTS LIST



FULL EXTENSION PARTS LIST			
	ITEM DESCRIPTION	IMAGE	Q'TY
②	LEFT EXTENSION PANEL		1 PC
③	RIGHT EXTENSION PANEL		1 PC

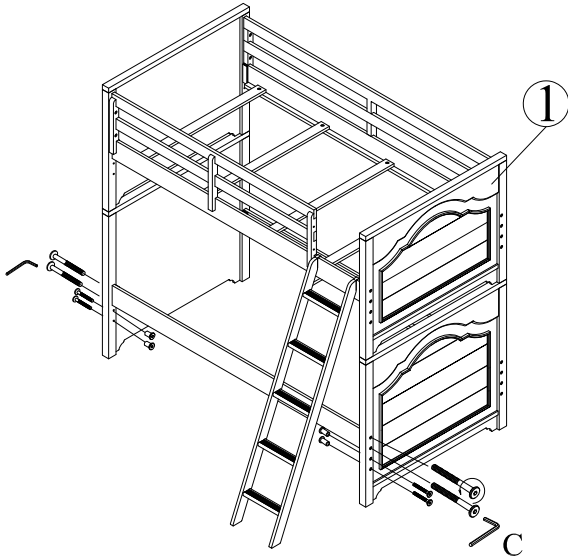
4 FULL BUNK SLATS PARTS LIST			
	ITEM DESCRIPTION	IMAGE	Q'TY
④	FULL BUNK SLAT		4 PCS

This product is manufactured by LEGC for **ROOMS TO GO** | **KIDS**

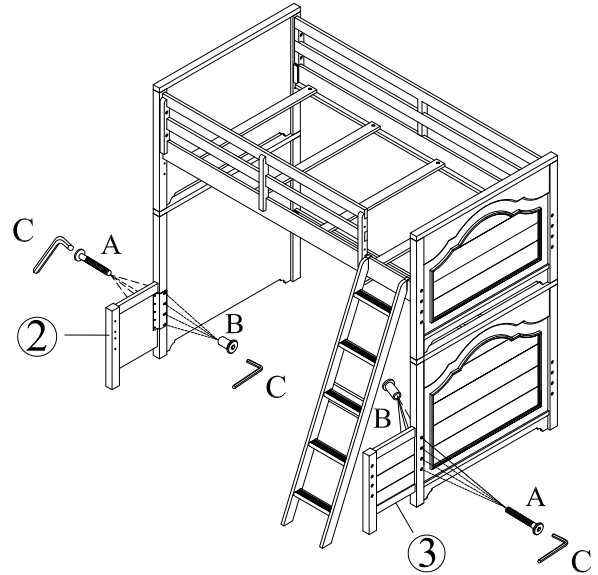
## Assembly Instructions:

### Step 1

\*Untighten the bolts and keep to use later.

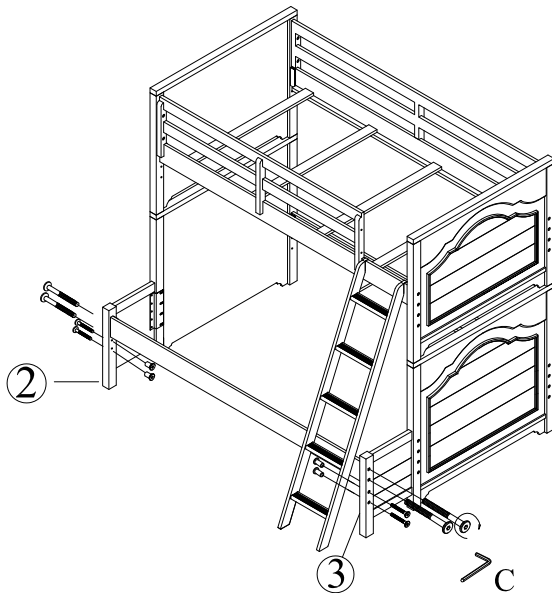


### Step 2



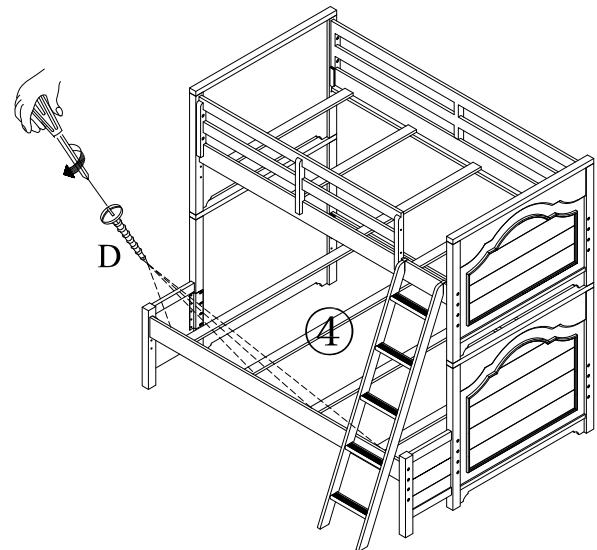
### Step 3

\*Use bolts removed at Step 1 to assemble



### Step 4

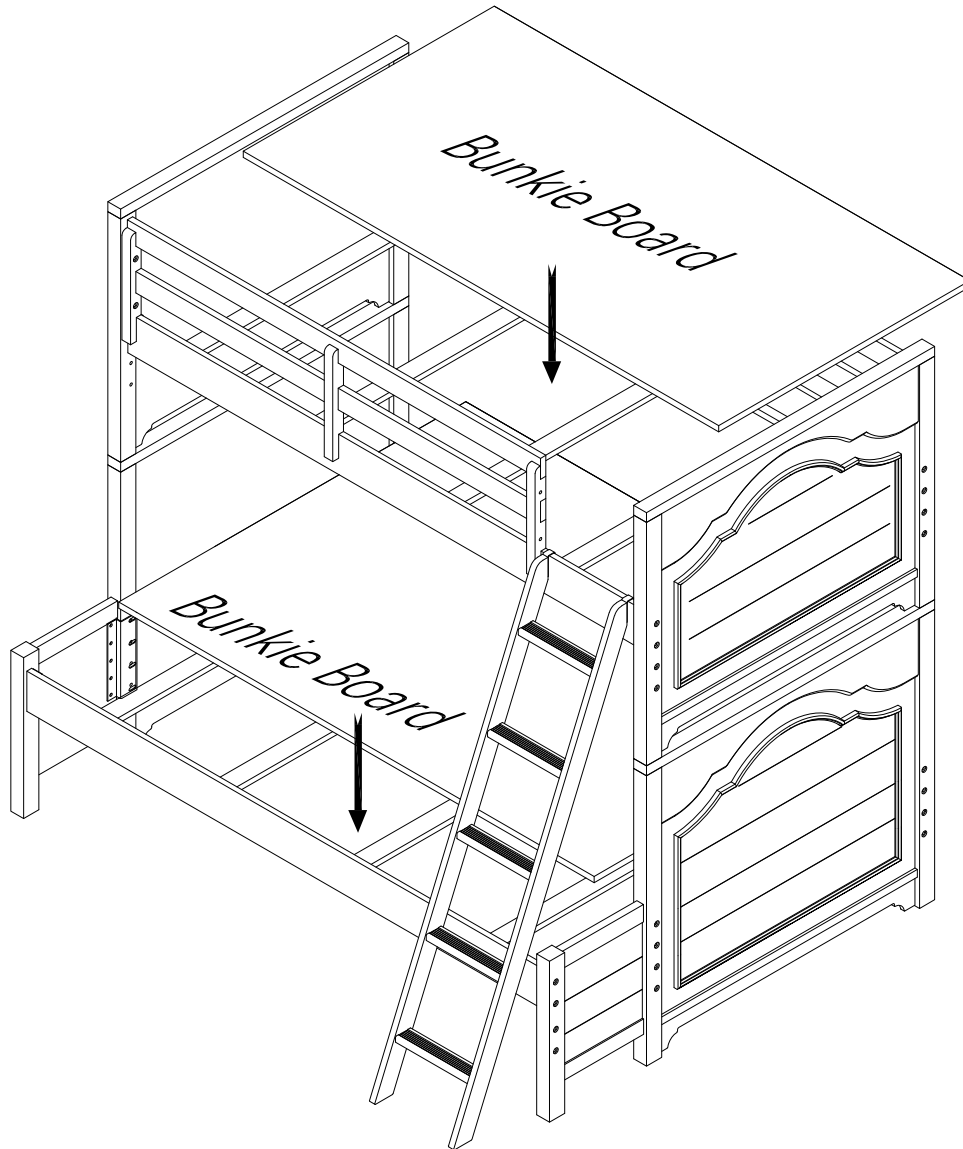
\*Screwdriver is not included.



This product is manufactured by LEGC for ROOMS TO GO | KIDS™

## Assembly Instructions:

Step 5



**PLACE BUNKIE BOARD (REQUIRED, SOLD SEPARATELY) ON THE SLATS.**

PLEASE CONTACT YOUR RETAIL STORE WITH SERVICE OR PARTS REPLACEMENT REQUEST

This product is manufactured by LEGC for **ROOMS TO GO** | **KIDS**