

ROOMS TO GO  
**KIDS**  
Manufactured for Rooms to Go

# IVY LEAGUE 2.0 COLLECTION

THANK YOU FOR YOUR PURCHASE



**WARNING DANGER**

Failure to follow these warnings and assembly instructions could result in serious injury or death. To help prevent serious or fatal injuries from entrapment or falls:

- Read all instructions before assembling bunk bed and keep these instructions for future reference.
- Before each usage or assembly, inspect bunk bed for damaged hardware, loose joints, missing parts, or sharp edges. DO NOT Use bunk bed if any parts are missing or broken.
- DO NOT Use substitute parts. Contact your local Rooms To Go or visit [www.ROOMSTOGO.COM](http://www.ROOMSTOGO.COM) for replacement parts and instructional literature if needed.
- Follow the information on the warnings appearing on the upper bunk end structure and on the carton, DO NOT REMOVE WARNING LABEL FROM BED.
- Always use the recommended size mattress or mattress supports, or both to help prevent the likelihood of entrapment or falls.
- Ensure thickness of mattress and foundation combine does not exceed **10 inches (255mm)** and mattress surface is at least **5 inches (127mm)** below upper edge of guardrails.
- Do not allow children under 6 years of age to use the upper bunk.
- Periodically check and ensure that the guardrail, ladder, and other components are in their proper position, free from damage, and that all connectors are tight.
- Do not allow horseplay on or under the bed and prohibit jumping on the bed.
- Limit top bunk use to one person.
- Always use the ladder for entering and leaving the upper bunk.
- Use of night light may provide added safety precaution for a child using the upper bunk.
- Always use guardrails on both long sides of the upper bunk. If the bunk bed will be placed next to the wall, the guardrail that runs the full length of the bed should be placed against the wall to prevent entrapment between the bed and wall.
- The use of water or sleep flotation mattress is prohibited.
- This bunk bed meets all the requirements of ASTM 1427-19.



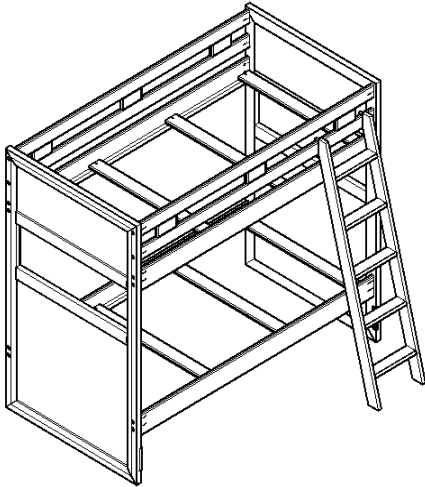
**STRANGULATION HAZARD:**

Never attach or hang items to any part of the bunk bed that are not designed for use with the bed; for example, but not limited to, hooks, belts, and jump ropes.

# CONFIGURATIONS

Choose your configuration, read all the instructions, identify all components, and be sure you have all parts prior to assembly

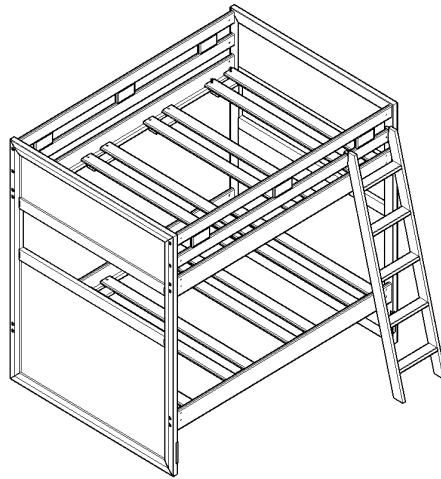
Reference page 4-6 for assembly steps



TWIN/TWIN BUNK

3462360P WALNUT 3461326P WHITE

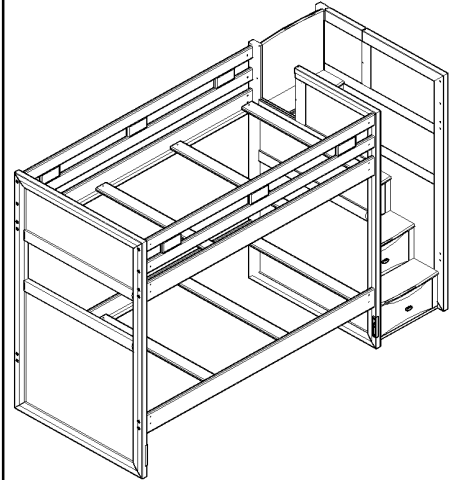
Reference page 7-9 for assembly steps



FULL / FULL BUNK

3472360P WALNUT 3471326P WHITE

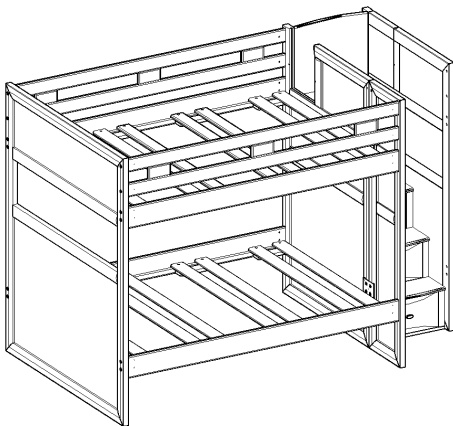
Reference page 10-12 for assembly steps



TWIN / TWIN STEP BUNK

3482360P WALNUT 3481326P WHITE

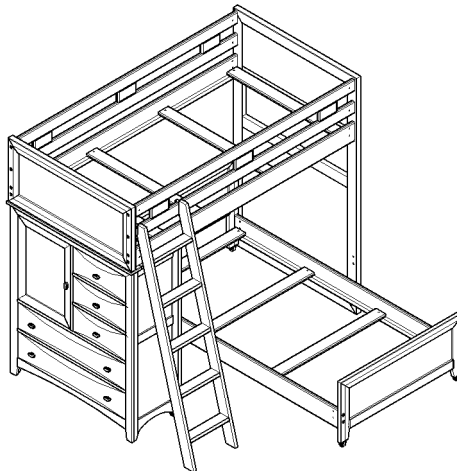
Reference page 13-16 for assembly steps



FULL / FULL STEP BUNK BED

3492360P WALNUT 3491326P WHITE

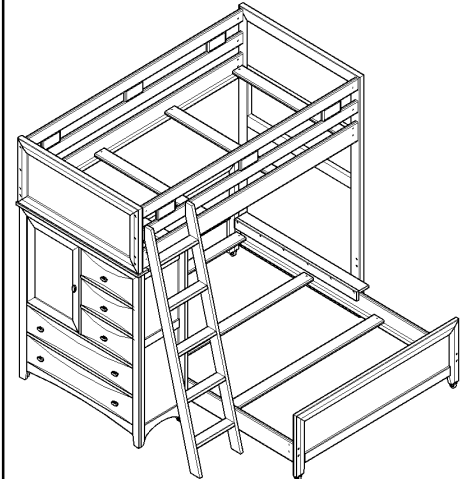
Reference page 17-20 for assembly steps



TWIN / TWIN LOFT W/CHEST

3512360P WALNUT 3511326P WHITE

Reference page 21-24 for assembly steps



TWIN / FULL LOFT W/CHEST

3522360P WALNUT 3521326P WHITE

Reference page 25-28 for assembly steps



TWIN/TWIN LOFT W/2 CHEST

3532360P WALNUT 3531326P WHITE

Reference page 29-33 for assembly steps



FULL/TWIN LOFT W/CHEST-BOOKCASE

3552360P WALNUT 3551326P WHITE

Reference page 34-38 for assembly steps



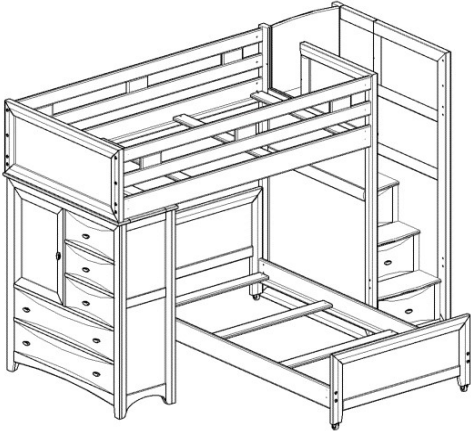
FULL/FULL LOFT W/CHEST-BOOKCASE

3562360P WALNUT 3561326P WHITE

# CONFIGURATIONS

Choose your configuration, read all the instructions, identify all components, and be sure you have all parts prior to assembly

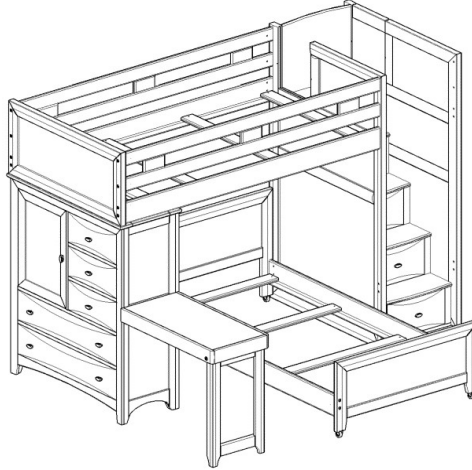
**Reference page 39-42 for assembly steps**



TWIN/TWIN STEP LOFT W/CHEST

3592360P WALNUT    3591326P WHITE

**Reference page 39-44 for assembly steps**



TWIN/TWIN STEP LOFT W/CHEST-DESK ATTACHMENT

3602360P WALNUT    3601326P WHITE

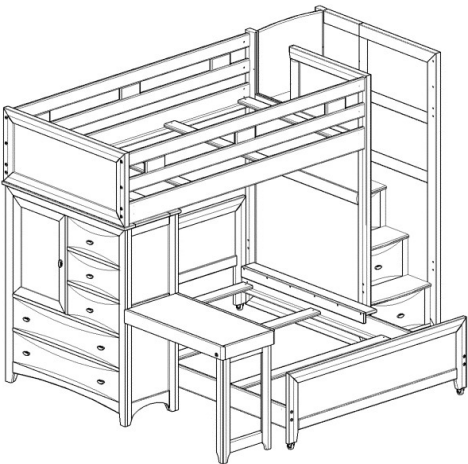
**Reference page 45-48 for assembly steps**



TWIN/FULL STEP LOFT BED W/CHEST

PENDING WALNUT    PENDING WHITE

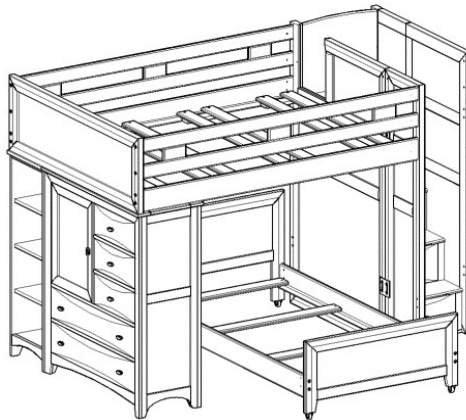
**Reference page 45-50 for assembly steps**



TWIN/FULL STEP LOFT W/CHEST-DESK ATTACHMENT

3622360P WALNUT    3621326P WHITE

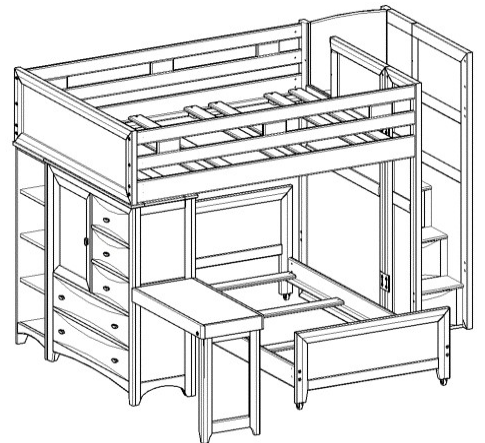
**Reference page 51-68 for assembly steps**



FULL/TWIN STEP LOFT W/CHEST-BOOKCASE

3652360P WALNUT    3651326P WHITE

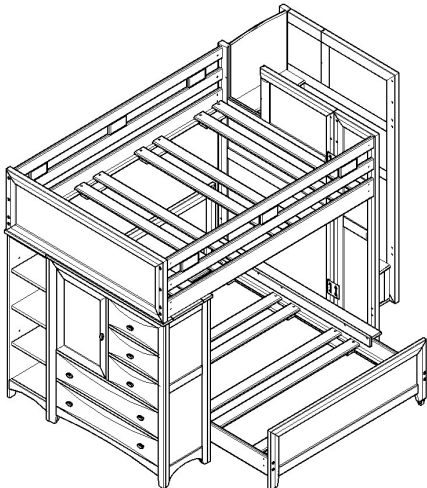
**Reference page 51-60 for assembly steps**



FULL/TWIN STEP LOFT W/CHEST-BOOKCASE-DESK ATTACHMENT

3662360P WALNUT    3661326P WHITE

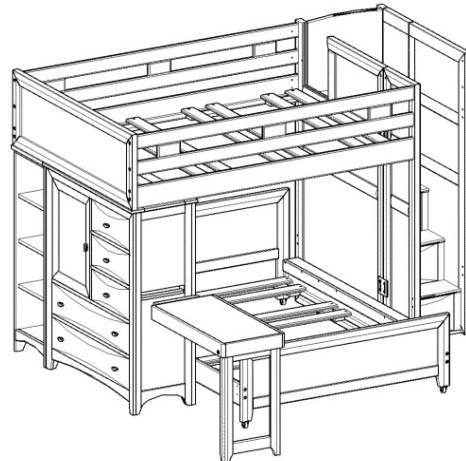
**Reference page 61-68 for assembly steps**



FULL/FULL STEP LOFT W/CHEST-BOOKCASE

3672360P WALNUT    3671326P WHITE

**Reference page 61-70 for assembly steps**

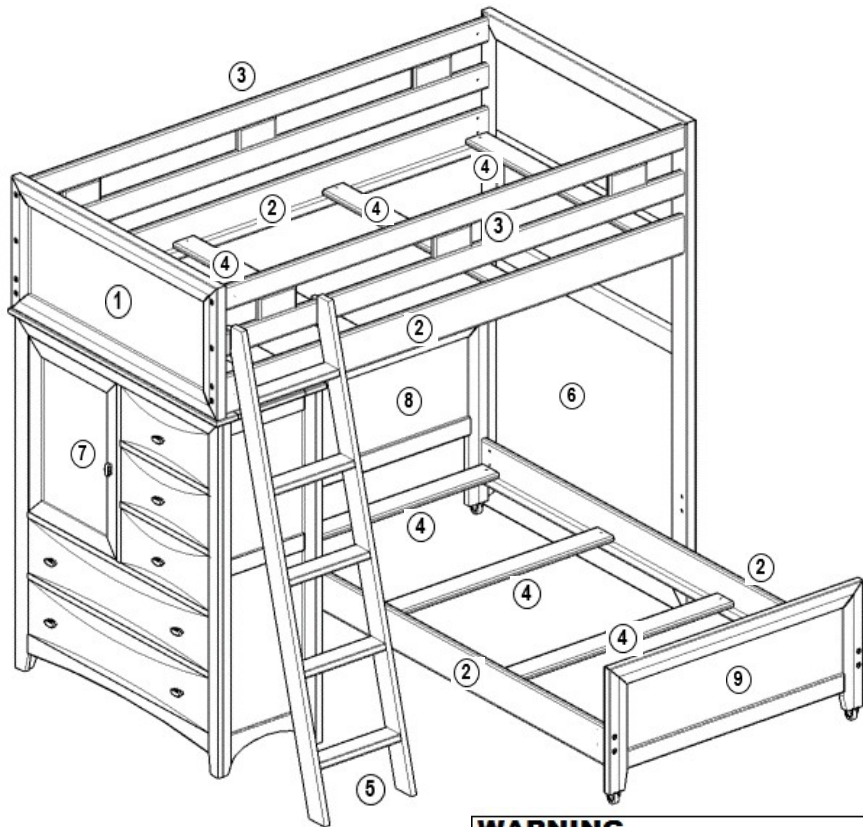


FULL/FULL STEP LOFT W/CHEST-BOOKCASE-DESK ATTACHMENT

PENDING WALNUT    PENDING WHITE




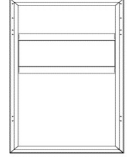









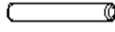
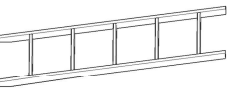


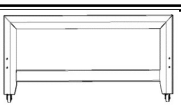
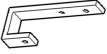

# PARTS LIST



3512360P TWIN/TWIN LOFT W/CHEST WALNUT		
RTG SKU #	STYLE #	ITEM DESCRIPTION
35423603	3260706	TWIN BUNKBED END
35623607	3260705	TWIN TOP BUNKBED END
36623608	3260730	4 SIDE RLS/2 GUARD RLS
35923603	3260711	5 DRW. LOFT CHEST
36223600	3260707	TWIN BOTTOM HD/FT
36723600	3260720	LADDER
38000232	100-645	TWIN SLAT PACK (4)
38000232	100-645	TWIN SLAT PACK (4)

3511326P TWIN/TWIN LOFT W/CHEST WHITE		
RTG SKU #	STYLE #	ITEM DESCRIPTION
35413260	3261706	TWIN BUNKBED END
35613264	3261705	TWIN TOP BUNKBED END
36613265	3261730	4 SIDE RLS/2 GUARD RLS
35913260	3261711	5 DRW. LOFT CHEST
36213267	3261707	TWIN BOTTOM HD/FT
36713267	3261720	LADDER
38000232	100-645	TWIN SLAT PACK (4)
38000232	100-645	TWIN SLAT PACK (4)

**WARNING**  
The bed slats included with this bed will not support a mattress alone, this bed requires Bunkie boards (sold separately)

PARTS LIST		QTY	PARTS LIST		QTY	HARDWARE LIST		QTY	TOOLS NEEDED	
1		1 Pc	6		1 Pc	A		24 Pcs	Phillips screwdriver (not included) 	
2		4 Pc	Headboard/footboard			B		1 Pc	Allen wrench (included) 	
3		2 Pc	7		1 Pc	C		16 Pcs		
4		8 Pc	5 Drw Loft chest			D		2 Pcs		
5		1 Pc	8		1 Pc	E		6 Pcs		
			9		1 Pc	F		2 Pcs		
						G		4 Pcs		
							Casters			

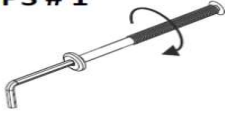
**TWO PEOPLE ARE NEEDED TO ASSEMBLE  
DO NOT TIGHTEN COMPLETELY UNTIL ALL PIECES  
ARE CONNECTED TOGETHER**

# ASSEMBLY INSTRUCTIONS

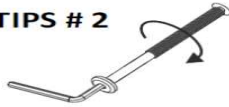
TIPS : SEE ILLUSTRATION BELOW

- 1- Use the long end of the allen wrench to fasten bolts loosely and quickly.
- 2- Use the short end of the allen wrench for final tightening

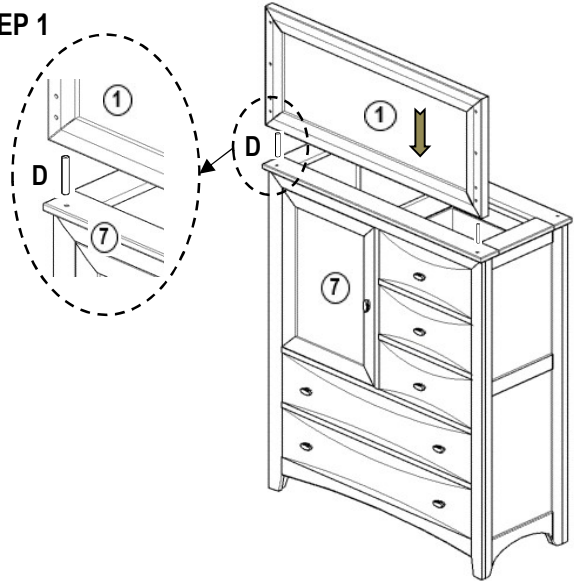
TIPS # 1



TIPS # 2

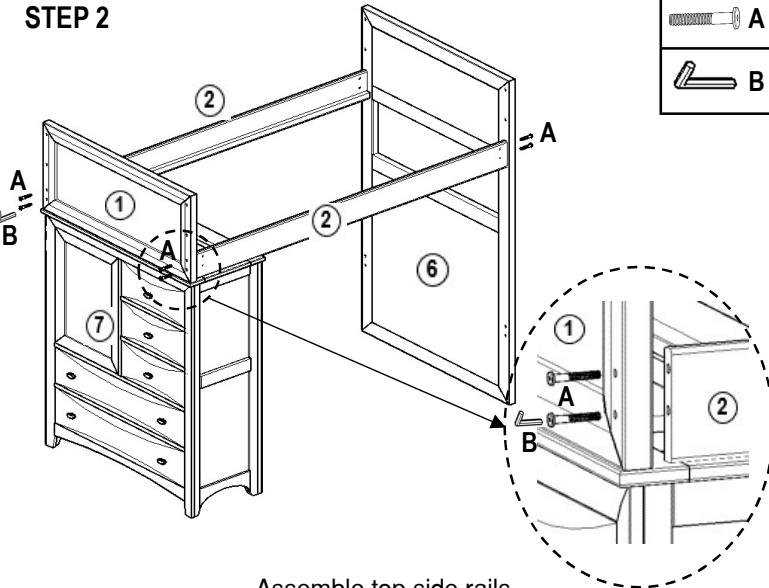


STEP 1



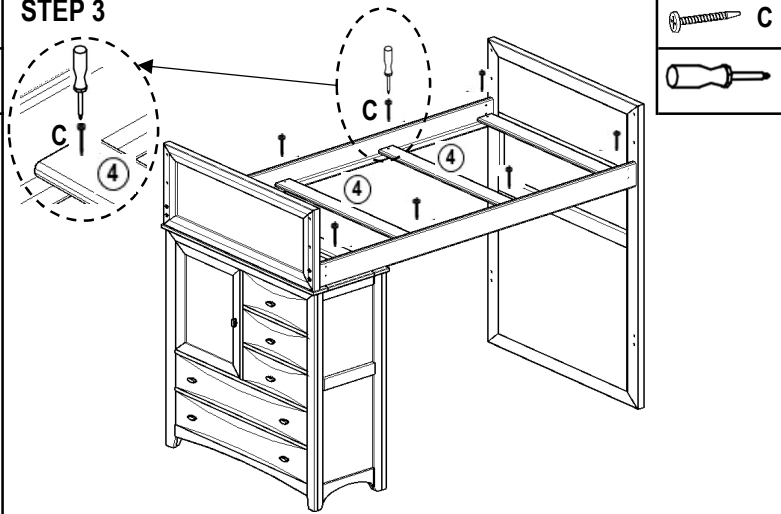
Assemble left chest and top bunk bed end.

STEP 2



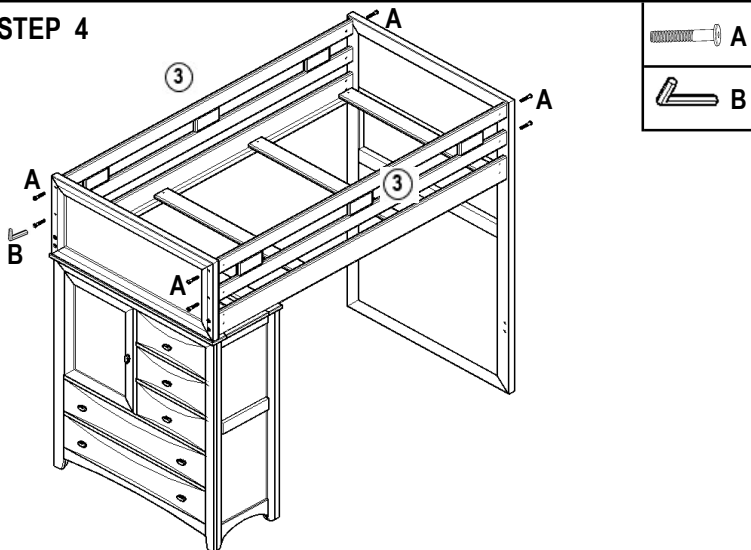
Assemble top side rails.

STEP 3



Install slats, one on each end, two equally spaced in the middle, then fasten with 1 1/4" screws.

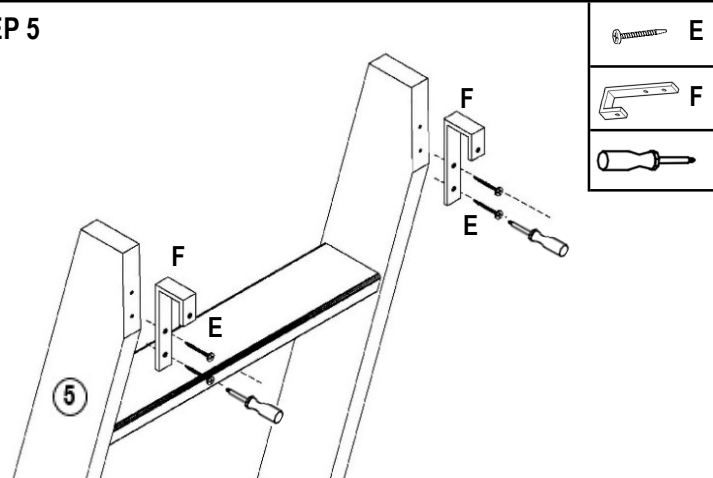
STEP 4



Assemble guardrails and tighten all bolts.

**MAKE SURE ALL BOLTS ARE TIGHTENED COMPLETELY**

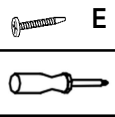
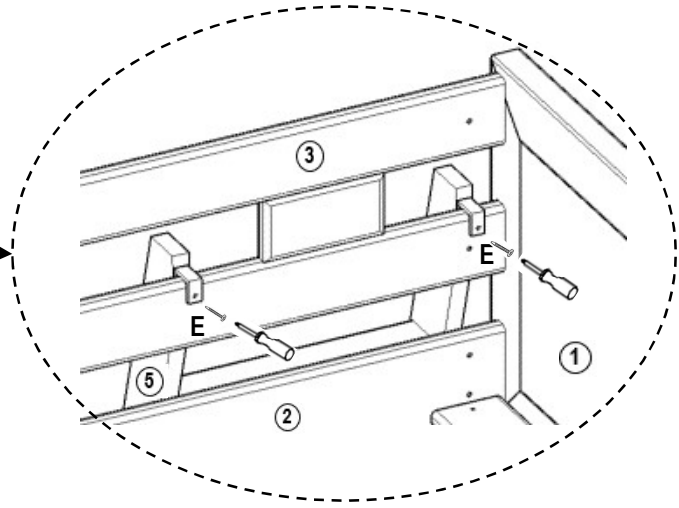
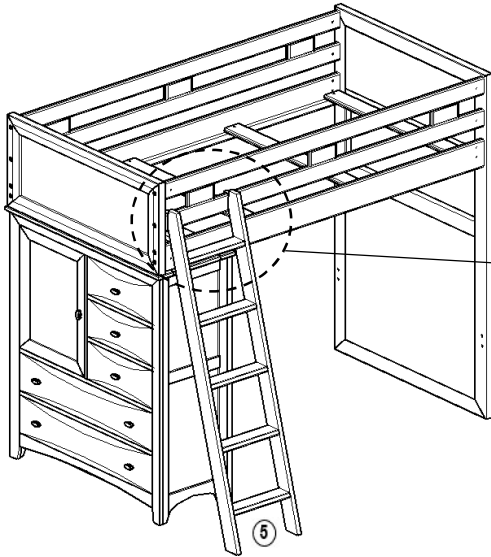
STEP 5



Screw ladder hooks to pre-drilled holes on top of ladder.

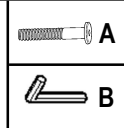
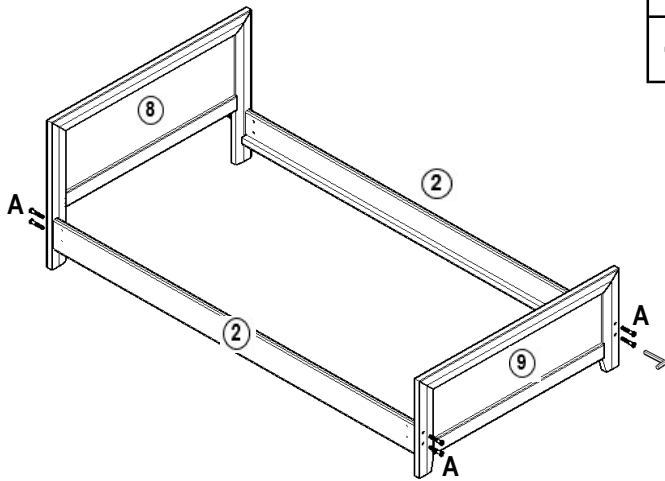
# ASSEMBLY INSTRUCTIONS

## STEP 6



Screw ladder to guardrail as shown.

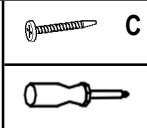
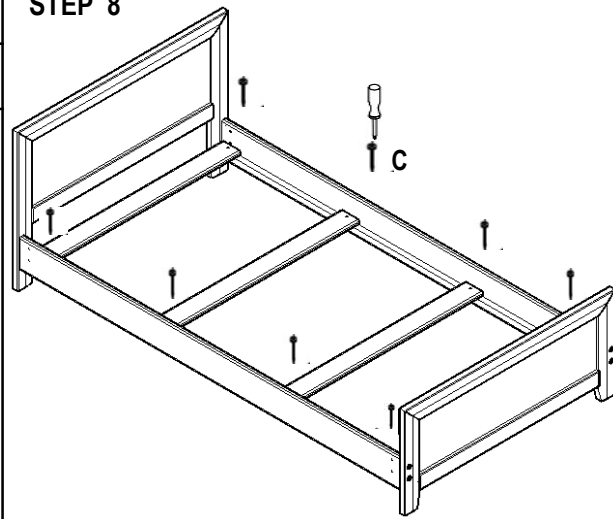
## STEP 7



Assemble side rails

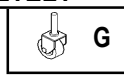
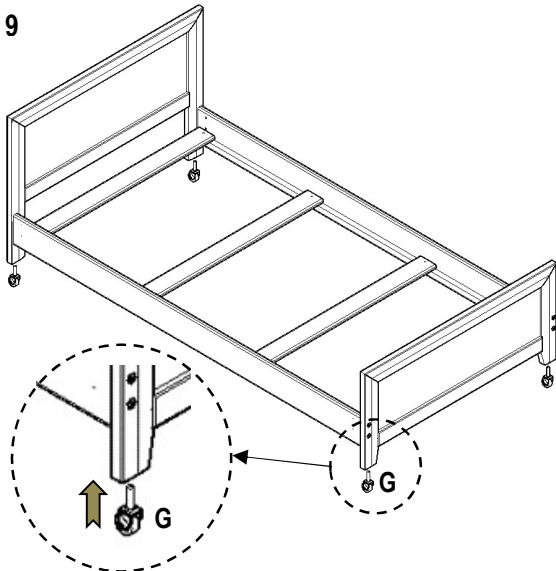
**MAKE SURE ALL BOLTS ARE TIGHTENED COMPLETELY**

## STEP 8



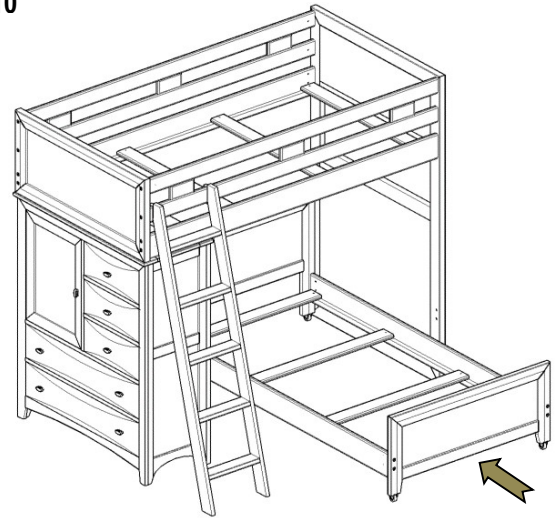
Install slats, one on each end and two equally spaced in the middle, then fasten with 1 1/4" screws.

## STEP 9



Install casters in headboard and footboard

## STEP 10

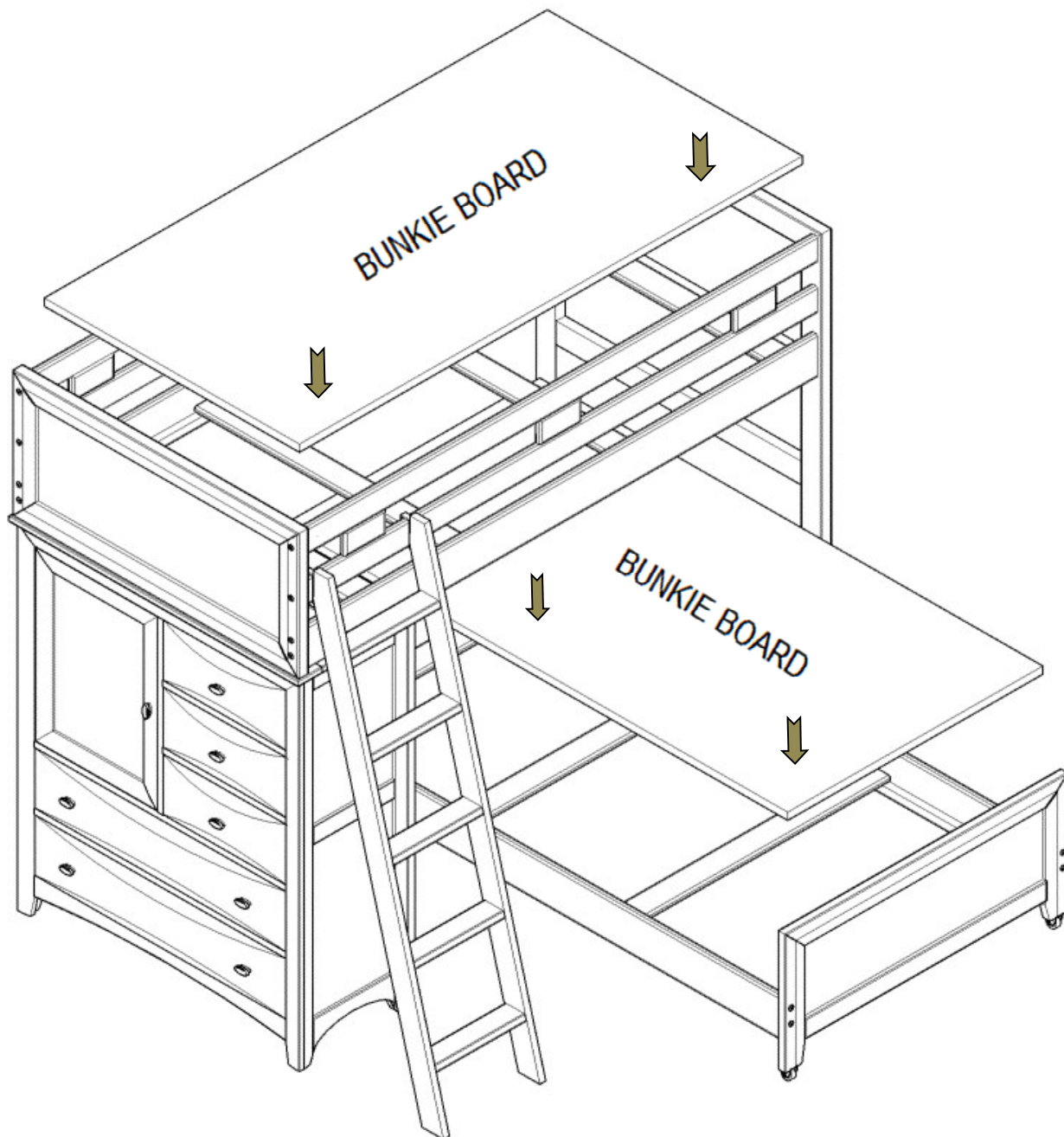


Slide Caster bed under Loft bed as shown.



# ASSEMBLY INSTRUCTIONS

## STEP 11



**Place Bunkie boards (required, sold separately) on top of the slats**

**Use only correct mattress dimensions and Bunkie board:**

Twin size mattress- 74" - 75" long and 37-1/2" - 38-1/2" wide

Twin size Bunkie board- 74" long and 37-1/2" wide

Full size mattress- 74" - 75" long and 52-1/2" - 53-1/2" wide

Full size Bunkie board- 74" long and 52-1/2" wide

PLEASE CONTACT YOUR RETAIL STORE WITH SERVICE OR PARTS REPLACEMENT REQUEST