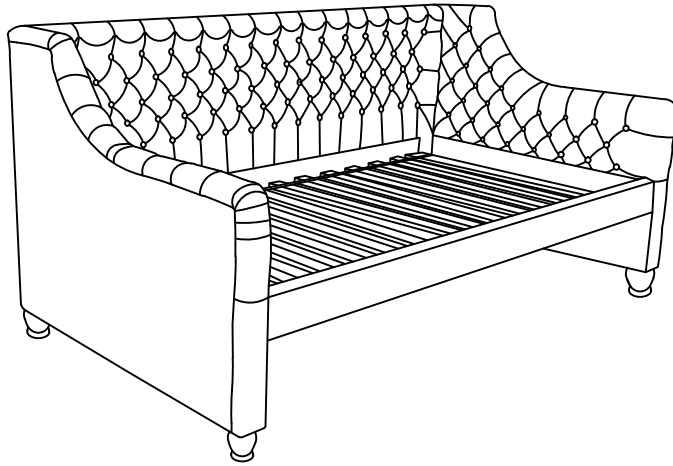


# ALENA

## TWIN/FULL DAYBED



3554110P - TWIN DAY BED WITH TRUNDLE - CHAMPAGNE		
SKU #	ITEM#	ITEM DESCRIPTION
35041108	87CP-27HF	TWIN DAYBED R & L SIDE PANELS/SLATS
35341104	87CP-27R	DAYBED BACK/NARROW FRONT RAIL
35441106	87CP-84	TWIN STORAGE TRUNDLE (SOLD SEPARATELY)

3614110P - TWIN DAY BED WITH TRUNDLE - SILVER		
SKU #	ITEM#	ITEM DESCRIPTION
36041109	89SI-27HF	TWIN DAYBED R & L SIDE PANELS/SLATS
36341105	89SI-27R	DAYBED BACK/NARROW FRONT RAIL
36441107	89SI-84	TWIN STORAGE TRUNDLE (SOLD SEPARATELY)

3574110P - FULL DAY BED WITH TRUNDLE - CHAMPAGNE		
SKU #	ITEM#	ITEM DESCRIPTION
35341104	87CP-27R	DAYBED BACK/NARROW FRONT RAIL
35141100	87CP-28HF	FULL DAYBED R & L SIDE PANELS/SLATS
35441106	87CP-84	FULL STORAGE TRUNDLE (SOLD SEPARATELY)

3634110P - FULL DAY BED WITH TRUNDLE - SILVER		
SKU #	ITEM#	ITEM DESCRIPTION
36341105	89SI-27R	DAYBED BACK/NARROW FRONT RAIL
36141101	89SI-28HF	FULL DAYBED R & L SIDE PANELS/SLATS
36441107	89SI-84	FULL STORAGE TRUNDLE (SOLD SEPARATELY)

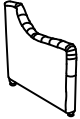
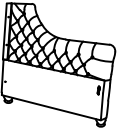

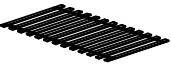
3514110P - TWIN DAY BED WITH TRUNDLE - PINK		
SKU #	ITEM#	ITEM DESCRIPTION
35541108	86PK-27HF	TWIN DAYBED R & L SIDE PANELS/SLATS
35841104	86PK-27R	DAYBED BACK/NARROW FRONT RAIL
35941106	86PK-84	TWIN STORAGE TRUNDLE (SOLD SEPARATELY)

3654110P - TWIN DAY BED WITH TRUNDLE - CHARCOAL		
SKU #	ITEM#	ITEM DESCRIPTION
36541109	88CC-27HF	TWIN DAYBED R & L SIDE PANELS/SLATS
36841105	88CC-27R	DAYBED BACK/NARROW FRONT RAIL
36941107	88CC-84	TWIN STORAGE TRUNDLE (SOLD SEPARATELY)

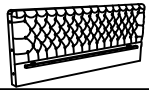

3534110P - FULL DAY BED WITH TRUNDLE - PINK		
SKU #	ITEM#	ITEM DESCRIPTION
35841104	86PK-27R	DAYBED BACK/NARROW FRONT RAIL
35641100	86PK-28HF	FULL DAYBED R & L SIDE PANELS/SLATS
35941106	86PK-84	FULL STORAGE TRUNDLE (SOLD SEPARATELY)

3674110P - FULL DAY BED WITH TRUNDLE - CHARCOAL		
SKU #	ITEM#	ITEM DESCRIPTION
36841105	88CC-27R	DAYBED BACK/NARROW FRONT RAIL
36641101	88CC-28HF	FULL DAYBED R & L SIDE PANELS/SLATS
36941107	88CC-84	FULL STORAGE TRUNDLE (SOLD SEPARATELY)

### TWIN/FULL DAYBED R & L SIDE PANELS/SLATS PARTS LIST

Code	Description	Parts	QTY
A	L Side Panel		1pc
B	R Side Panel		1pc
D	LEGS		4pc
F	straight Slats		13pcs

### DAYBED BACK/WIDE FRONT RAIL PARTS LIST






C	Back Panel		1pc
E	Front Bed Rail		1pc

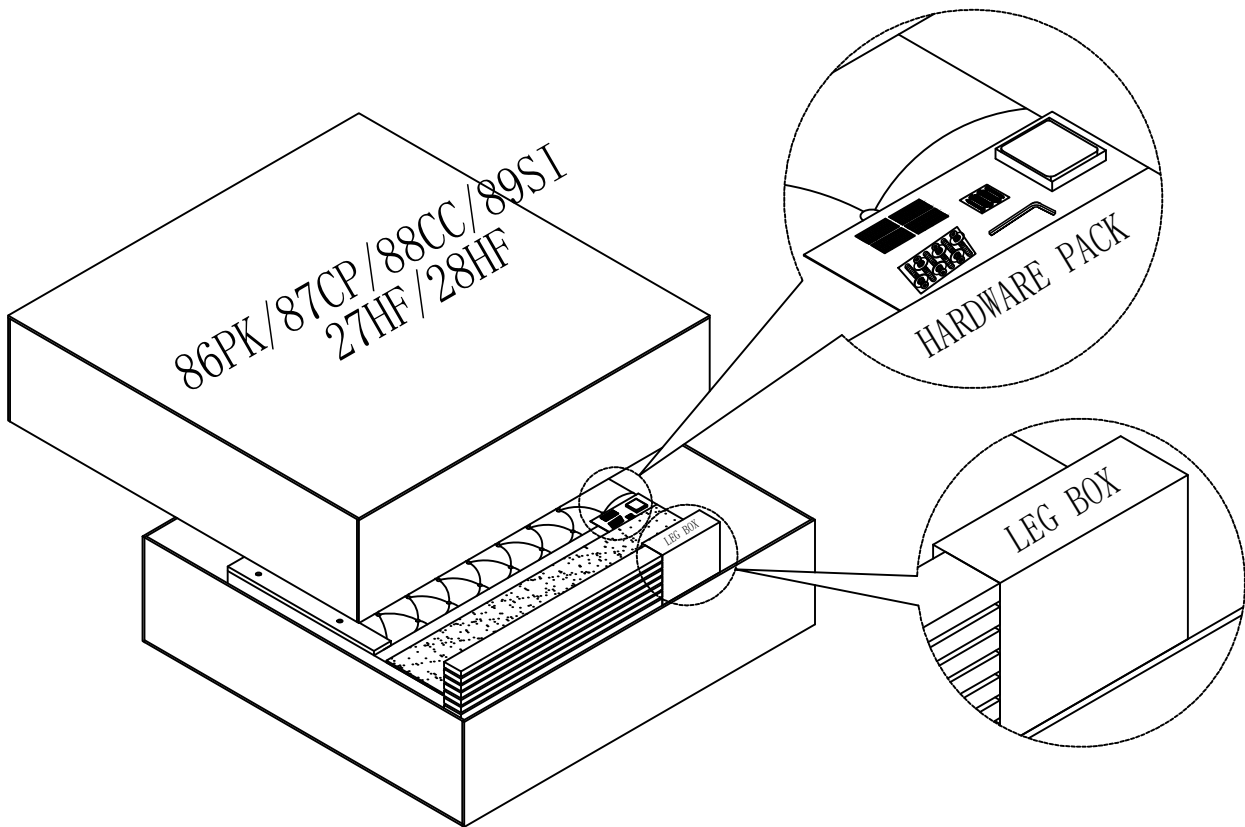
This product is manufactured by HOUS for **ROOMS TO GO | KIDS**

DO NOT USE SUBSTITUTE PARTS. PLEASE CONTACT YOUR RETAIL STORE OR [www.roomstogo.com](http://www.roomstogo.com) WITH SERVICE OR PARTS REPLACEMENT REQUEST

# ALENA

## TWIN/FULL DAYBED

TWIN/FULL DAYBED R & L SIDE PANELS/SLATS HARDWARE LIST			QTY
1	Bolt $\phi$ 5/16" * 43 * 2-1/2" Spring Washer $\phi$ 5/16" Flat Washer $\phi$ 5/16" * 22mm		6Pcs
2	Screw #8 * 1-3/8"		6Pcs
3	Allen Key 65 * 25 * 5mm		1Pc
4	Phillips Screwdriver (Not Provided)	 	



### Hardware Pack Location(s) :

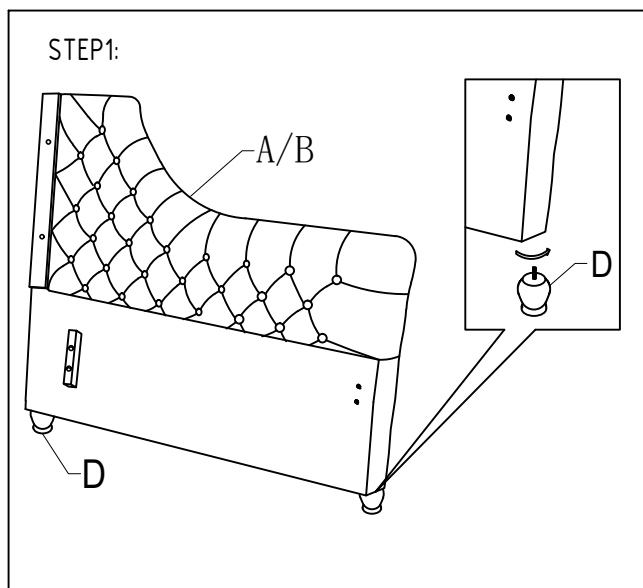
TWIN&FULL	L Side Panel & R Side Panel & slats	87CP-27HF/28HF	SKU# 35041108/ 35141100
TWIN&FULL	L Side Panel & R Side Panel & slats	86PK-27HF/28HF	SKU# 35541108/ 35641100
TWIN&FULL	L Side Panel & R Side Panel & slats	89SI-27HF/28HF	SKU# 36041109/ 36141101
TWIN&FULL	L Side Panel & R Side Panel & slats	88CC-27HF/28HF	SKU# 36541109/ 36641101

This product is manufactured by HOUS for **ROOMS TO GO | KIDS**

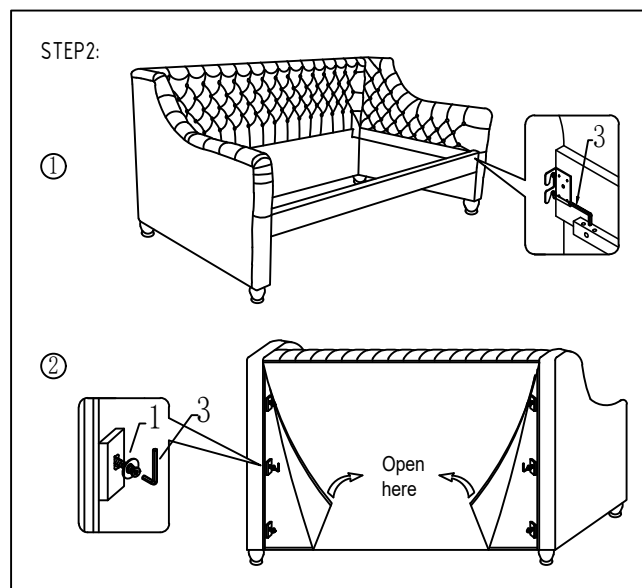
DO NOT USE SUBSTITUTE PARTS. PLEASE CONTACT YOUR RETAIL STORE OR [www.roomstogo.com](http://www.roomstogo.com)  
WITH SERVICE OR PARTS REPLACEMENT REQUEST

# ASSEMBLY INSTRUCTION

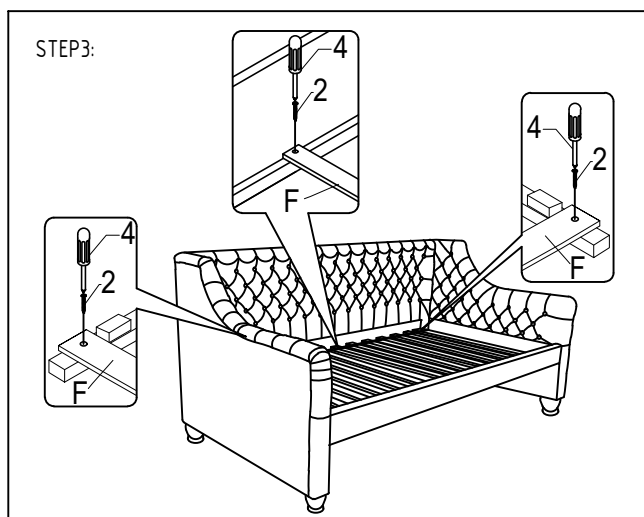
\*\*\*Caution: Please read all instructions carefully before starting the assembly process. These parts are cumbersome and heavy. Therefore, two people are recommended in order to prevent personal injury and ensure the parts are not damaged during the assembly.



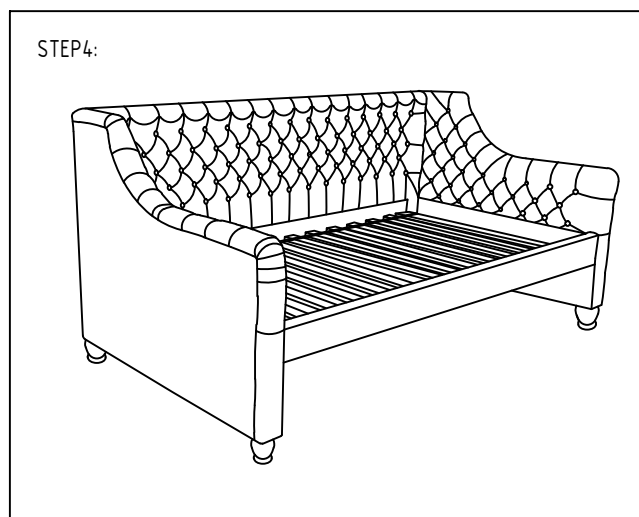
Attach the LEGS(D) on L side panel(A) and R side panel(B)



- ① Loosen bolts on L side panel(A) and R side panel(B), place front bed rails into position(E), Tighten bolts on L side panel & R side panel with Allen Key (3).
- ② Open the velcro on back panel from the bottom corner, place back bed rails(C) into position, tighten bolts(1) into L side panel and R side panel with Allen Key(3).



Place Straight slats on the support rails as STEP3 shows. Then secure slats by screw at spot F as STEP3 shows.



This product is manufactured by HOUS for **ROOMS TO GO | KIDS**

DO NOT USE SUBSTITUTE PARTS. PLEASE CONTACT YOUR RETAIL STORE OR [www.roomstogo.com](http://www.roomstogo.com) WITH SERVICE OR PARTS REPLACEMENT REQUEST