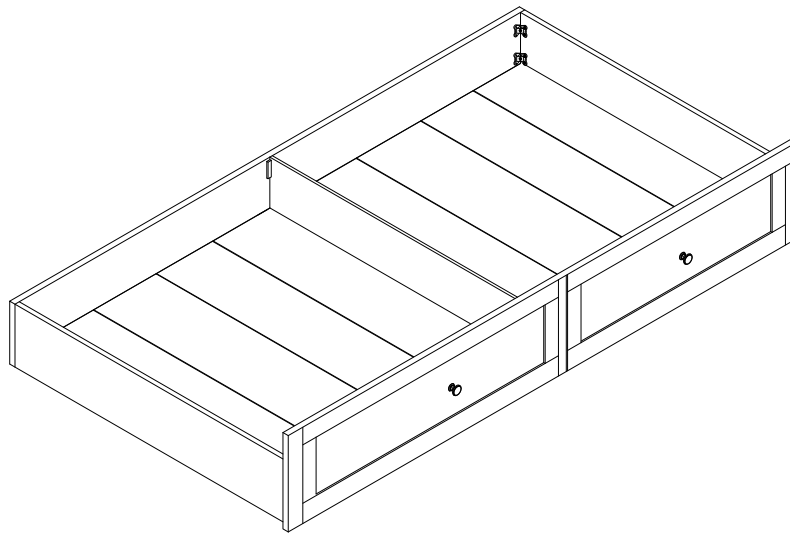


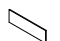
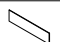

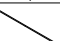


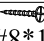

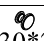

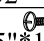
COUNTRY HOLLOW

TWIN STORAGE TRUNDLE



35199517 TWIN STORAGE TRUNDLE - FAWN		
RTG SKU	STYLE#	ITEM DESCRIPTION
35199517	9951-9500	TWIN STORAGE TRUNDLE

PARTS LIST			
	ITEM DESCRIPTION	IMAGE	Q'TY
A	FRONT PANEL		1 PC
B	BACK PANEL		1 PC
C	SIDE PANEL		2 PCS
D	DIVIDER PANEL		1 PC
E	BOTTOM PANEL		2 PCS
F	STRETCHER		1 PC

HARDWARE LIST			
	ITEM DESCRIPTION	IMAGE	Q'TY
1	SCREW	 #8*19mm	6PCS
2	PLASTIC PROTECTOR		2 PCS
3	KNOB	 Ø30*25mm	2 PCS
4	SCREW	 5/32"*22mm	2 PCS
5	SCREW	 M5"*10mm	8 PCS

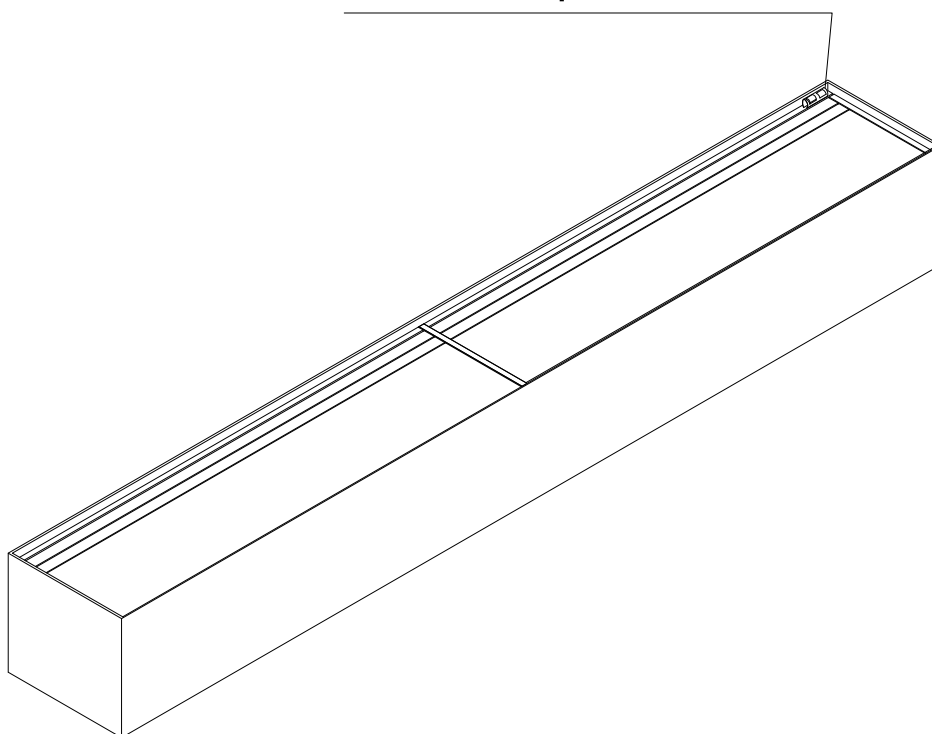
DO NOT USE SUBSTITUTE PARTS.
PLEASE CONTACT YOUR RETAIL STORE OR WWW.ROOMSTOGO.COM WITH SERVICE OR PARTS REPLACEMENT REQUEST.

This product is manufactured by LEGC for **ROOMS TO GO** | **KIDS**

Hardware Pack Location

35199517 TWIN STORAGE TRUNDLE - FAWN		
RTG SKU	STYLE#	ITEM DESCRIPTION
35199517	9951-9500	TWIN STORAGE TRUNDLE

Hardware pack location



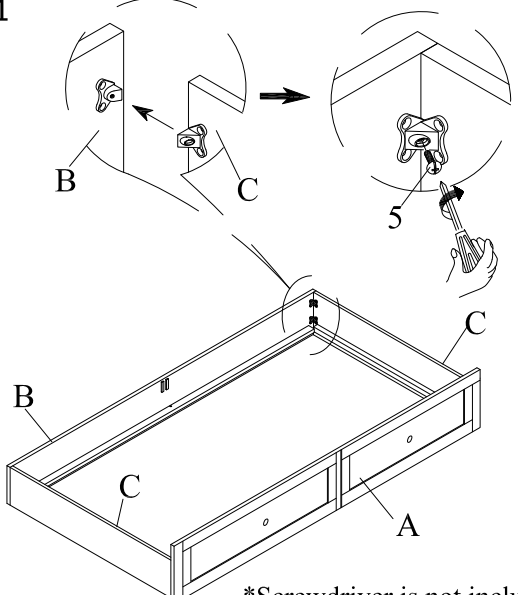
DO NOT USE SUBSTITUTE PARTS.
PLEASE CONTACT YOUR RETAIL STORE OR WWW.ROOMSTOGO.COM WITH SERVICE OR PARTS
REPLACEMENT REQUEST.

This product is manufactured by LEGC for **ROOMS TO GO** | **KIDS**

Thank you for purchasing this quality product. Be sure to check all packing materials carefully for small parts which may have come loose inside the carton during shipment. Identify and count all parts and compare with the parts list. Read all instructions before assembling furniture and keep these instructions for future reference.

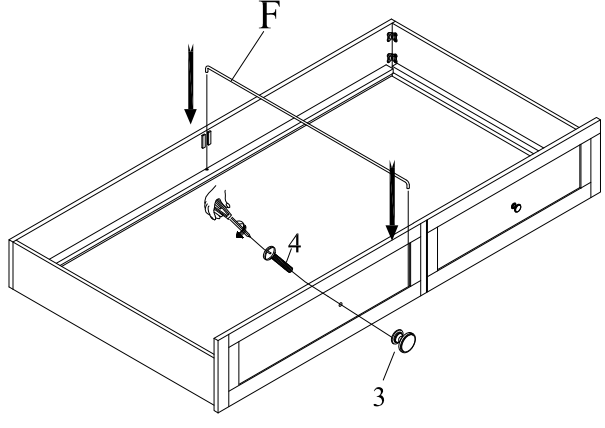
Assembly Instructions:

STEP 1

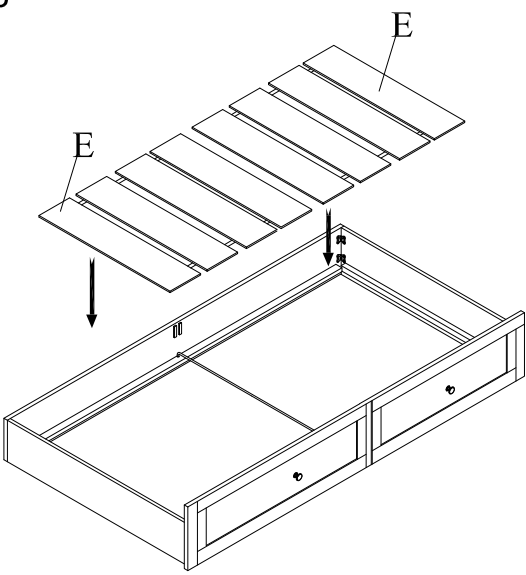


*Screwdriver is not included.

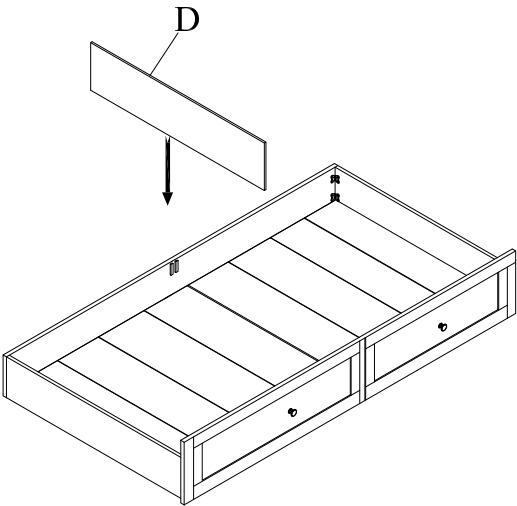
STEP 2



STEP 3



STEP 4



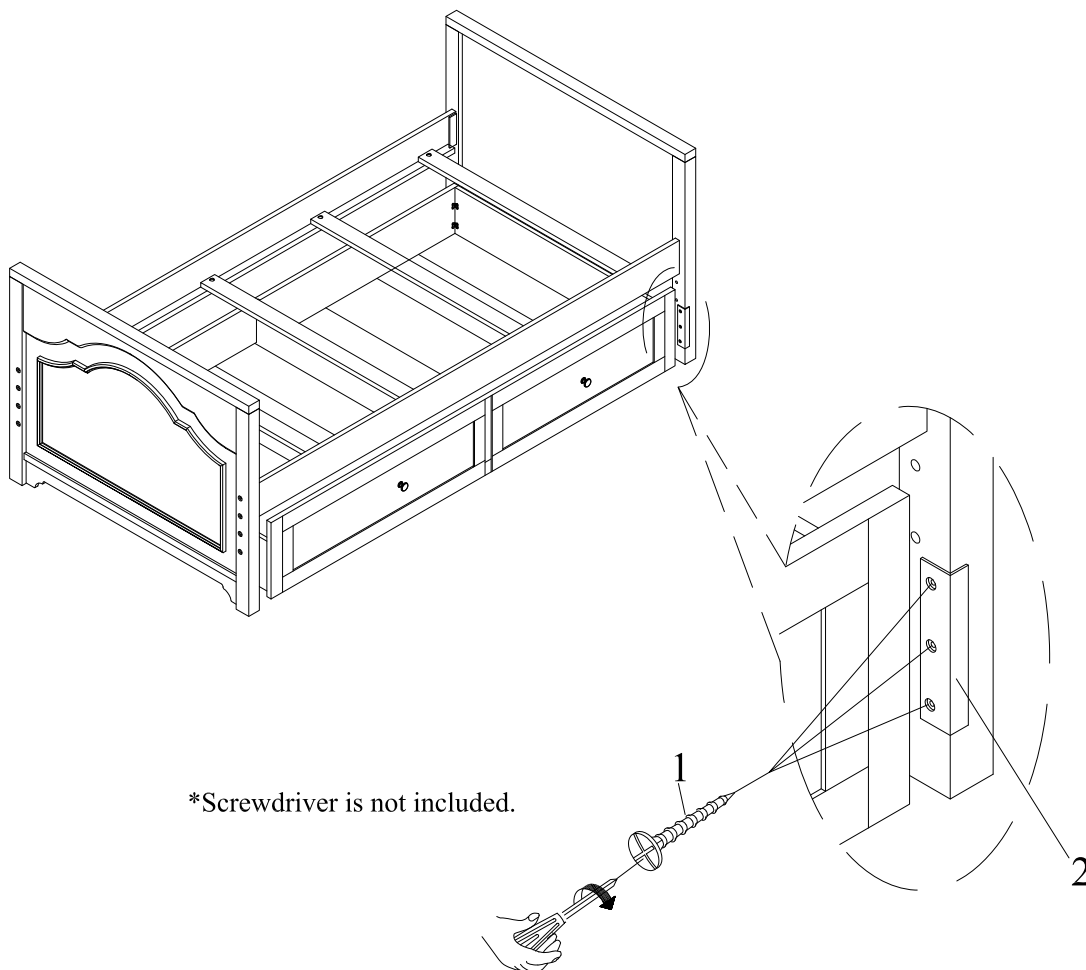
**DO NOT USE SUBSTITUTE PARTS.
PLEASE CONTACT YOUR RETAIL STORE OR WWW.ROOMSTOGO.COM WITH SERVICE OR PARTS
REPLACEMENT REQUEST.**

This product is manufactured by LEGC for **ROOMS TO GO** | **KIDS**

Thank you for purchasing this quality product. Be sure to check all packing materials carefully for small parts which may have come loose inside the carton during shipment. Identify and count all parts and compare with the parts list. Read all instructions before assembling furniture and keep these instructions for future reference.

Assembly Instructions:

STEP 5



DO NOT USE SUBSTITUTE PARTS.
PLEASE CONTACT YOUR RETAIL STORE OR WWW.ROOMSTOGO.COM WITH SERVICE OR PARTS REPLACEMENT REQUEST.

This product is manufactured by LEGC for **ROOMS TO GO** | **KIDS**