

ROOMS TO GO
KIDS
Manufactured for Rooms to Go

IVY LEAGUE COLLECTION

THANK YOU FOR YOUR PURCHASE



WARNING DANGER

Failure to follow these warnings and assembly instructions could result in serious injury or death. To help prevent serious or fatal injuries from entrapment or falls:

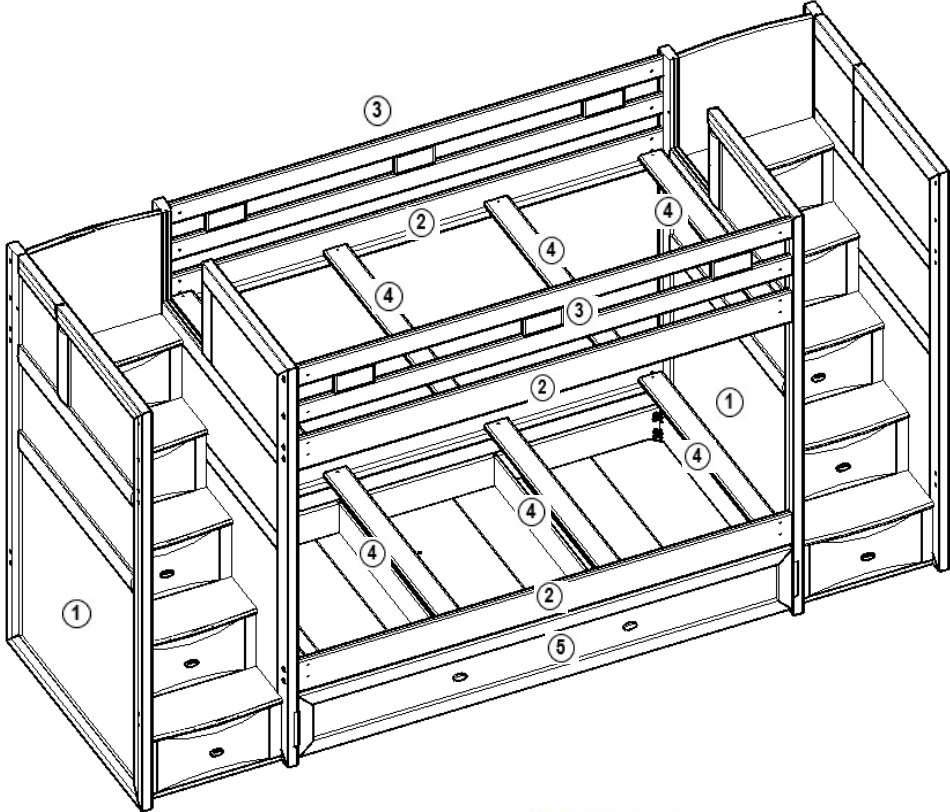
- Read all instructions before assembling bunk bed and keep these instructions for future reference.
- Before each usage or assembly, inspect bunk bed for damaged hardware, loose joints, missing parts, or sharp edges. DO NOT Use bunk bed if any parts are missing or broken.
- DO NOT Use substitute parts. Contact your local Rooms To Go or visit www.ROOMSTOGO.COM for replacement parts and instructional literature if needed.
- Follow the information on the warnings appearing on the upper bunk end structure and on the carton, DO NOT REMOVE WARNING LABEL FROM BED.
- Always use the recommended size mattress or mattress supports, or both to help prevent the likelihood of entrapment or falls.
- Ensure thickness of mattress and foundation combine does not exceed **10 inches (255mm)** and mattress surface is at least **5 inches (127mm)** below upper edge of guardrails.
- Do not allow children under 6 years of age to use the upper bunk.
- Periodically check and ensure that the guardrail, ladder, and other components are in their proper position, free from damage, and that all connectors are tight.
- Do not allow horseplay on or under the bed and prohibit jumping on the bed.
- Limit top bunk use to one person.
- Always use the ladder for entering and leaving the upper bunk.
- Use of night light may provide added safety precaution for a child using the upper bunk.
- Always use guardrails on both long sides of the upper bunk. If the bunk bed will be placed next to the wall, the guardrail that runs the full length of the bed should be placed against the wall to prevent entrapment between the bed and wall.
- The use of water or sleep flotation mattress is prohibited.
- This bunk bed meets all the requirements of ASTM 1427-19.



STRANGULATION HAZARD:

Never attach or hang items to any part of the bunk bed that are not designed for use with the bed; for example, but not limited to, hooks, belts, and jump ropes.

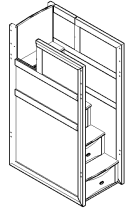
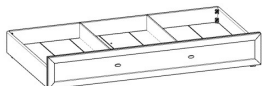








PARTS LIST



3982360P TWIN/TWIN DOUBLE STAIRS BUNK WALNUT		
RTG SKU #	STYLE #	ITEM DESCRIPTION
35723609	3260160	STEP BUNK UNIT
35723609	3260160	STEP BUNK UNIT
36623608	3260730	4 SIDE RLS/2 GUARD RLS
38000232	100-645	TWIN SLAT PACK (4)
38000232	100-645	TWIN SLAT PACK (4)
35323601	3260744	TRUNDLE BED OPTIONAL

3981326P TWIN/TWIN DOUBLE STAIRS BUNK WHITE		
RTG SKU #	STYLE #	ITEM DESCRIPTION
35713266	3261160	STEP BUNK UNIT
35713266	3261160	STEP BUNK UNIT
36613265	3261730	4 SIDE RLS/2 GUARD RLS
38000232	100-645	TWIN SLAT PACK (4)
38000232	100-645	TWIN SLAT PACK (4)
35313268	3261744	TRUNDLE BED OPTIONAL

WARNING
 The bed slats included with this bed will not support a mattress alone, this bed requires Bunkie boards (sold separately)

PARTS LIST		QTY	PARTS LIST		QTY	HARDWARE LIST		QTY	TOOLS NEEDED	
1	 Step bunk unit	2 Pcs	5	 Trundle bed (Optional)	1 Pc	A	 50 mm Bolts	24 Pcs	Phillips screwdriver (not included) 	
2	 Side rails	4 Pcs				B	 Allen wrench	1 Pc	Allen wrench (included) 	
3	 Guardrails	2 Pcs				C	 1 1/4" Screws	16 Pcs		
4	 Slats	8 Pcs								

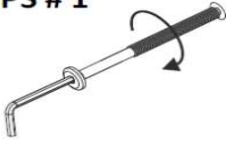
**TWO PEOPLE ARE NEEDED TO ASSEMBLE
 DO NOT TIGHTEN COMPLETELY UNTIL ALL PIECES
 ARE CONNECTED TOGETHER**

ASSEMBLY INSTRUCTIONS

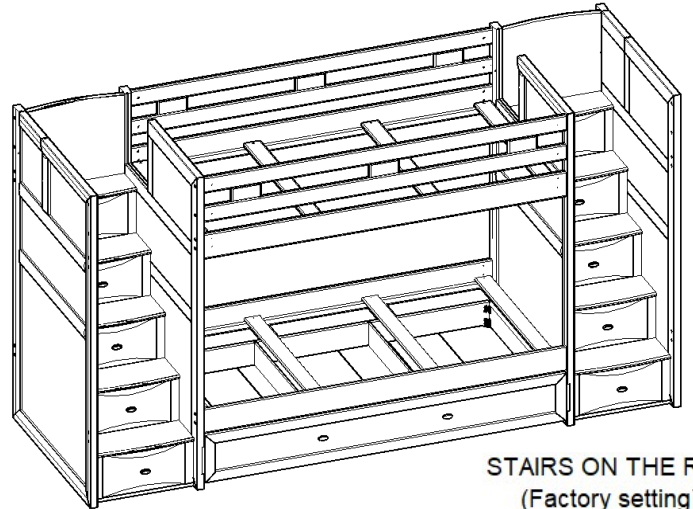
TIPS : SEE ILLUSTRATION BELOW

- 1- Use the long end of the allen wrench to fasten bolts loosely and quickly.
- 2- Use the short end of the allen wrench for final tightening

TIPS # 1



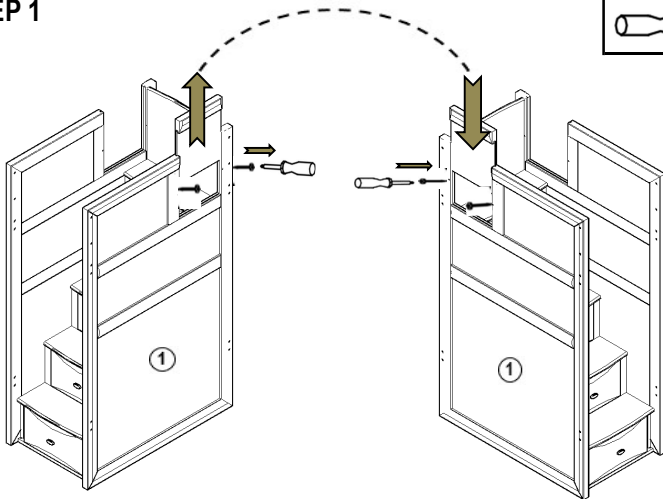
TIPS # 2



STAIRS ON THE RIGHT
(Factory setting)

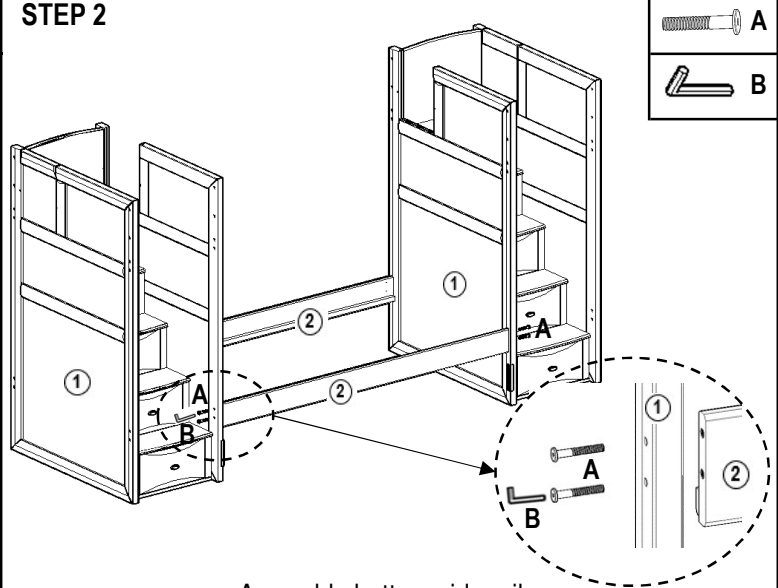
STAIRS ON THE LEFT
GO TO STEP ONE

STEP 1



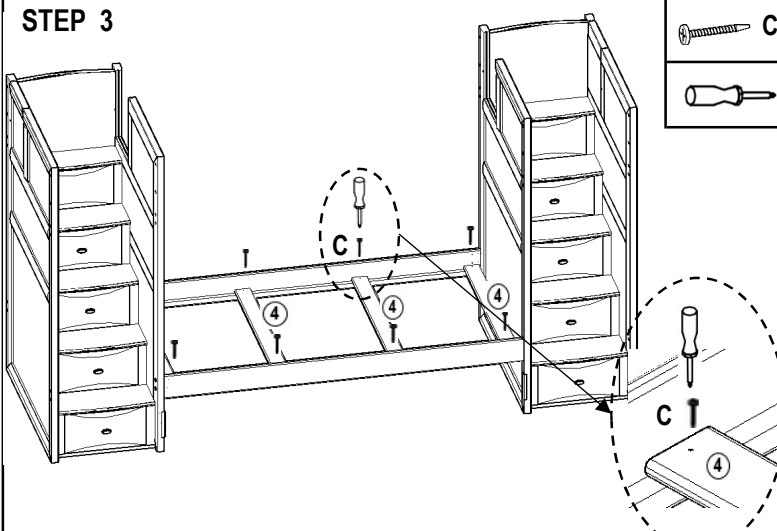
For stairs on the left, first remove the screws, then remove the panel and install it on the other side and secure with the screws.

STEP 2



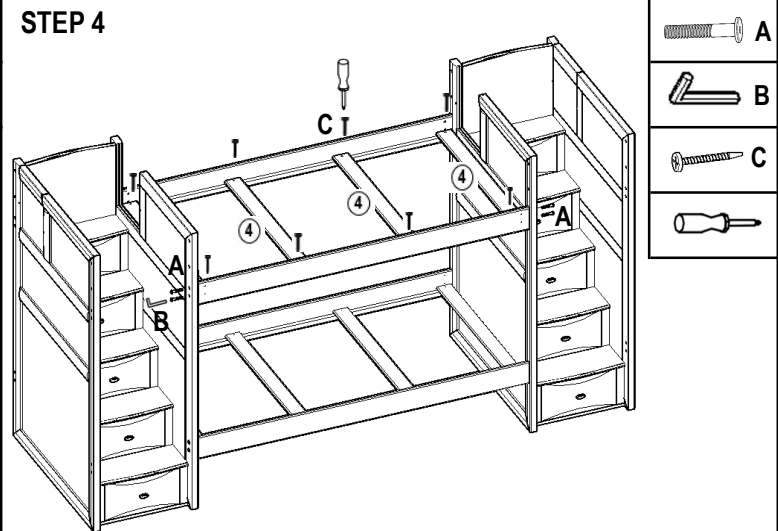
Assemble bottom side rails.

STEP 3



Install slats, one on each end, two equally spaced in the middle, then fasten with 1 1/4" screws.

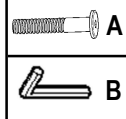
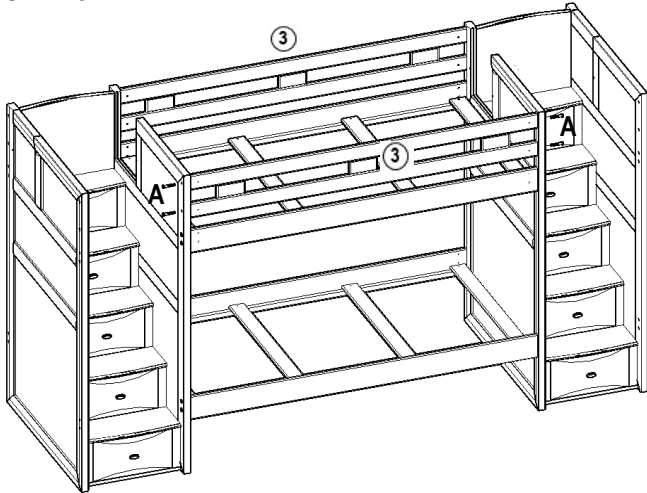
STEP 4



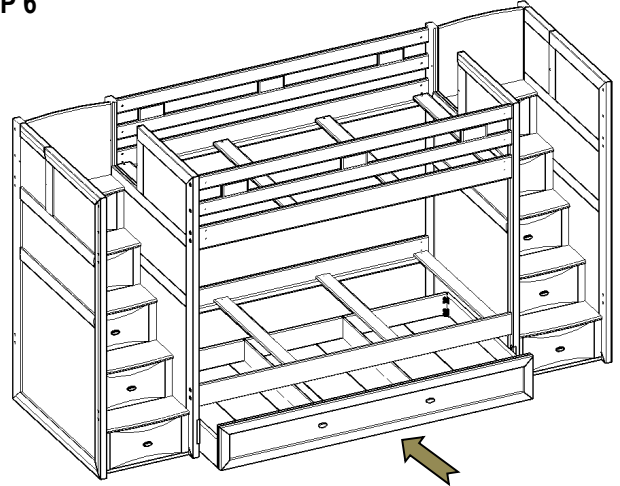
Repeat step 2 & 3 for top set of side rails.

ASSEMBLY INSTRUCTIONS

STEP 5

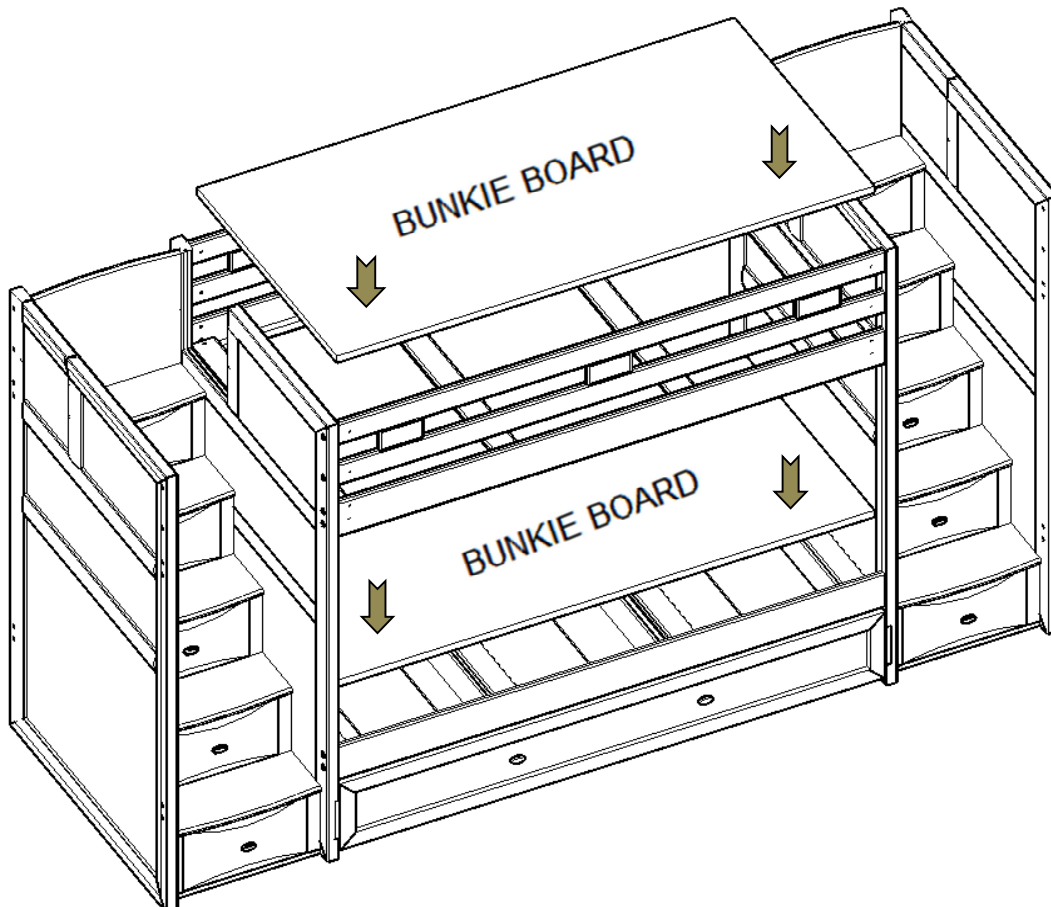


STEP 6



For **optional** Trundle bed follow assembly instructions inside Trundle bed box, then slide under the bed as shown.

STEP 7



Place Bunkie boards (required, sold separately) on top of the slats

Use only correct mattress dimensions and Bunkie board:

Twin size mattress- 74" - 75" long and 37-1/2" - 38-1/2" wide

Twin size Bunkie board- 74" long and 37-1/2" wide

Full size mattress- 74" - 75" long and 52-1/2" - 53-1/2" wide

Full size Bunkie board- 74" long and 52-1/2" wide

PLEASE CONTACT YOUR RETAIL STORE WITH SERVICE OR PARTS REPLACEMENT REQUEST