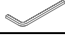





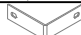



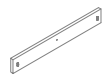
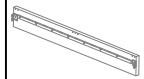
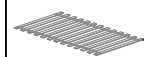




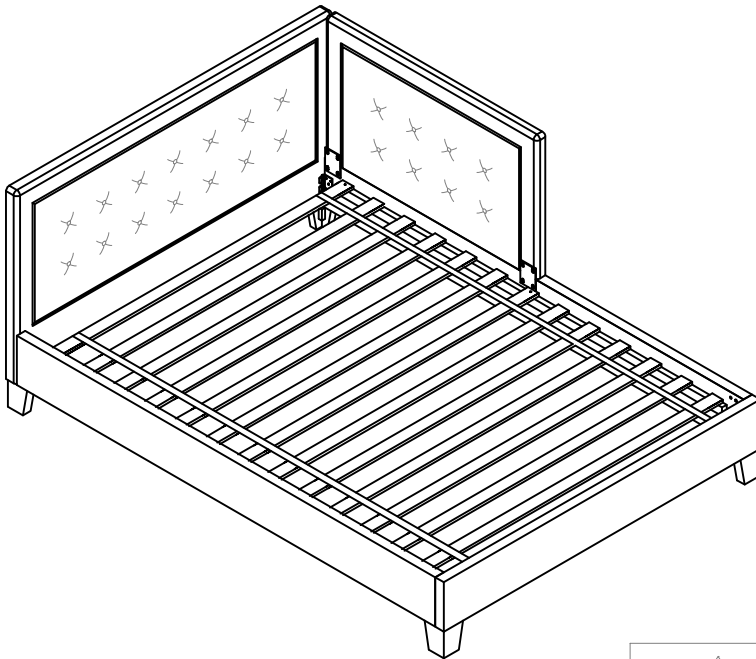


Assembly Instructions

HOUS	CQX-P25	Bed	SKU#35620601	#35720603
HOUS	CQX-B25	Bed	SKU#36020600	#36120602
HOUS	CQX-L25	Bed	SKU#36420608	#36520600
HOUS	CQX-P26	Bed	SKU#35820605	#35920607
HOUS	CQX-B26	Bed	SKU#36220604	#36320606
HOUS	CQX-L26	Bed	SKU#36620602	#36720604

Step	Code	Hardware	QTY
	a	Allen Key 100*40*5mm 	1Pc
	b	Phillips Screwdriver (Not Provided) 	1Pc
1	c	Bolt 5/16"*3-1/2" 	4Pcs
1	d	Dowels ø8*40 (mm) 	4Pcs
3	e	Bolt 5/16"*1-1/4" 	12Pcs
3	f	Iron 90*70*3 	2Pcs
3	g	Iron 107*107*35 	2Pcs
4	h	Screw #8*1" 	6Pcs

Code	Description	Parts	QTY
A	Headboard		1pc
B	Corner Side		1pc
C	Footboard		1pc
D	Bed Rail		2pcs
E	Straight Slats		13pcs
F	Left Leg		2pcs
G	Right Leg		2pcs



WARNING

CHOKING HAZARD--Small Parts
This piece contains small parts, not intended for children under 3 years of age.

Hardware Pack Location(s):

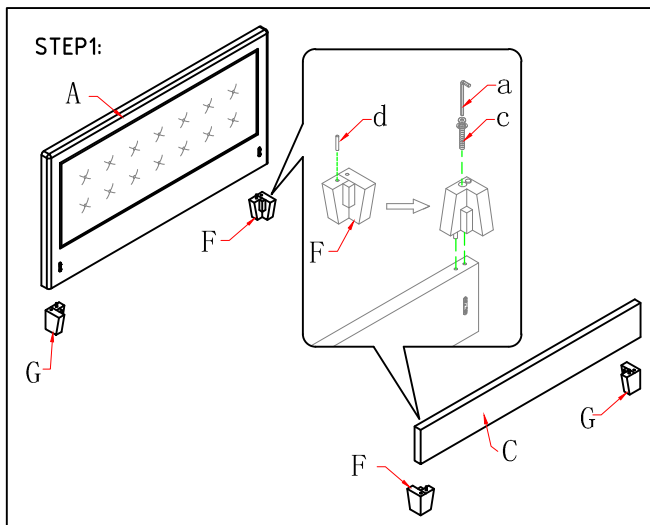
QX-P25R	PINK PU TWIN FTBD & RAILS	SKU#35720603
QX-B25R	BLUE PU TWIN FTBD & RAILS	SKU#36120602
QX-L25R	LAVENDER PU TWIN FTBD & RAILS	SKU#36520600
QX-P26R	PINK PU FULL FTBD & RAILS	SKU#35920607
QX-B26R	BLUE PU FULL FTBD & RAILS	SKU#36320606
QX-L26R	LAVENDER PU FULL FTBD & RAILS	SKU#36720604



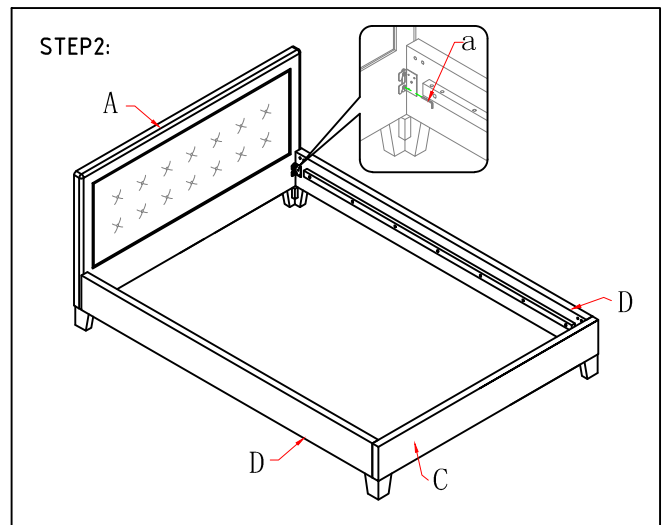
Assembly Instructions

HOUS	CQX-P25	Bed	SKU#35620601	#35720603
HOUS	CQX-B25	Bed	SKU#36020600	#36120602
HOUS	CQX-L25	Bed	SKU#36420608	#36520600
HOUS	CQX-P26	Bed	SKU#35820605	#35920607
HOUS	CQX-B26	Bed	SKU#36220604	#36320606
HOUS	CQX-L26	Bed	SKU#36620602	#36720604

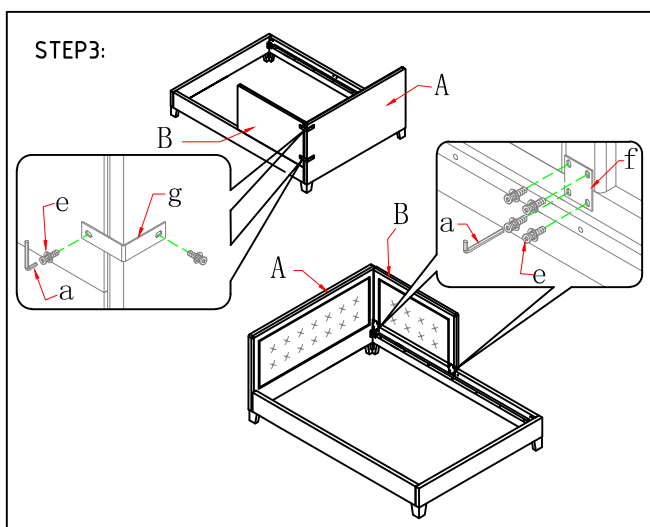
***Caution: Please read all instructions carefully before starting the assembly process. These parts are cumbersome and heavy. Therefore, two people are recommended in order to prevent personal injury and insure the parts are not damaged during the assembly.



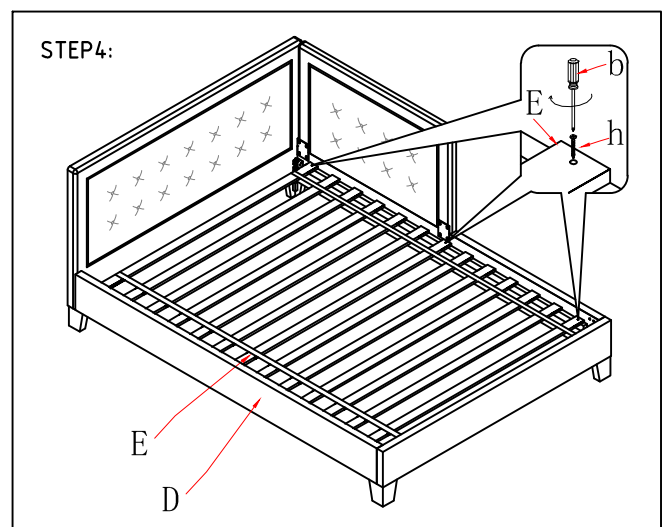
Attach dowels(d) to left legs(F) and right legs(G), then fix left legs(F) and right legs(G) to headboard(A) and Footboard(C) with bolt (c) as shown, tighten the bolt(c) with Allen key(a).



Loosen bolts on Headboard (A) and Footboard (C) with Allen key (a), place Bed Rail (D) into position to connect the Headboard (A) and Footboard (C), then secure and tighten the bolts.



Attach corner side(B) to headboard(A) as shown, tighten use bolt(e), iron(f), iron(g) and allen key(a).



Place straight slat (E) on the support rails which was fixed on the Bed Rail (D), then secure the Straight Slats to the support rail with screw (h) and Screwdriver (b) at the pre-drilled hole as shown.