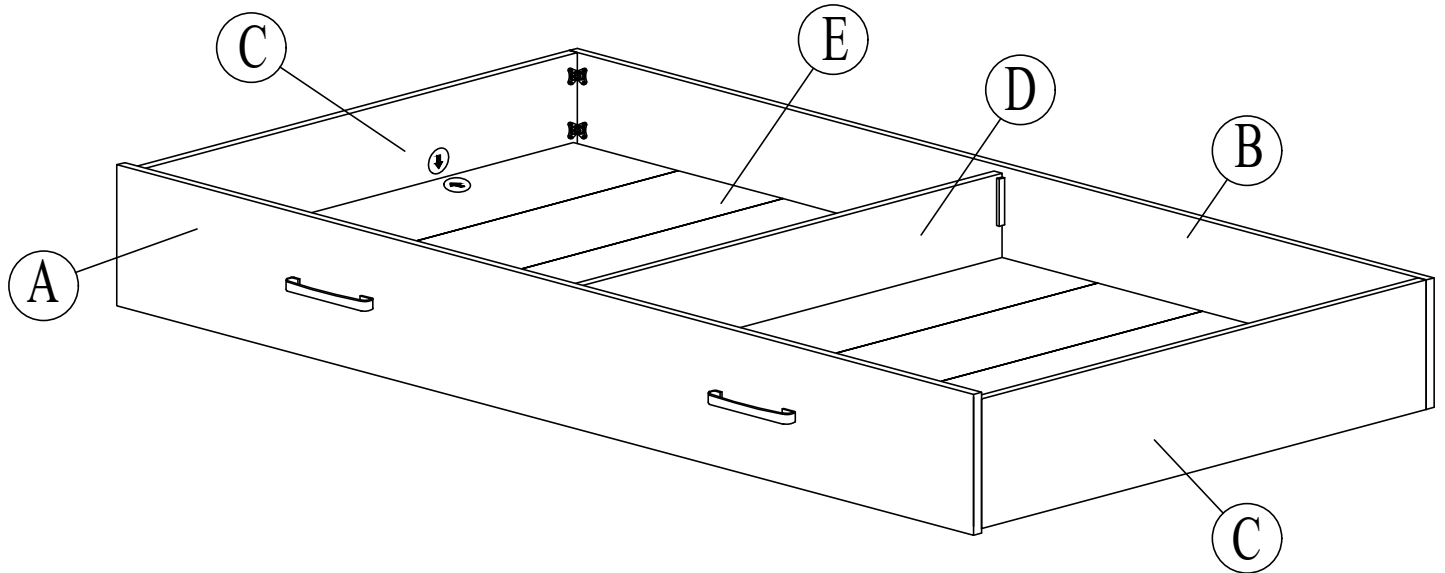


# COLEFAX AVENUE TWIN STORAGE TRUNDLE

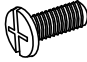
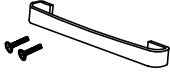

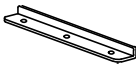
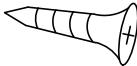
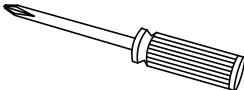



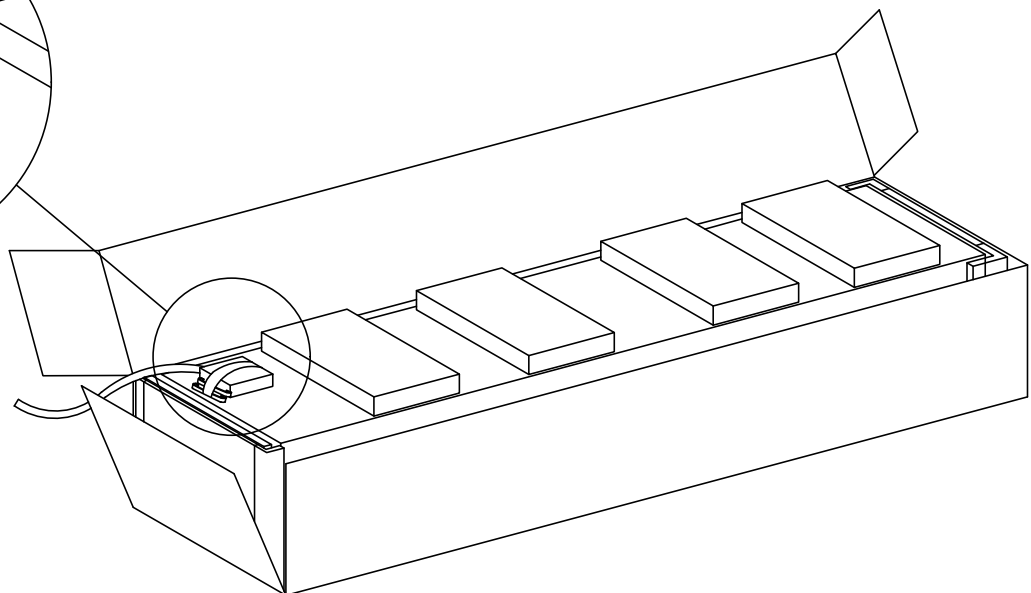
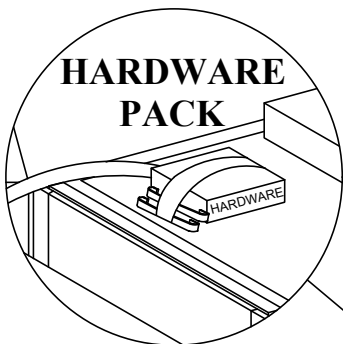
SKU #	ITEM #	ITEM DESCRIPTION
35327041	27014-84	TWIN STORAGE TRUNDLE

TWIN STORAGE TRUNDLE PARTS LIST :			
No.	PART LISTS		QTY
A	Front Panel		1 Pc
B	Back Panel		1 Pc
C	Side Panel		2 Pcs
D	Center Vertical Panel		1 Pc
E	Slat Roll(4Pcs)		2 Roll

**This product is manufactured by STOF for ROOMSTOGO | KIDS**  
 DO NOT USE SUBSTITUTE PARTS. PLEASE CONTACT YOUR DETAIL STORE OR [WWW.ROOMSTOGO.COM](http://WWW.ROOMSTOGO.COM)  
 WITH SERVICE OR PARTS REPLACEMENT REQUEST

# COLEFAX AVENUE TWIN STORAGE TRUNDLE

TWIN STORAGE TRUNDLE HARDWARE LIST :				QTY
1	Screw	M5 x 10mm		8 Pcs
2	Handle With Screw	-		2 Set
3	Stabilizer Bar	-		1 Pc
4	Bracket-Acrylic L Protector	-		2 Pcs
5	Screw M3.5 X 16mm	-		6 Pcs
6	Phillips Screwdriver (Not Provided)	 		



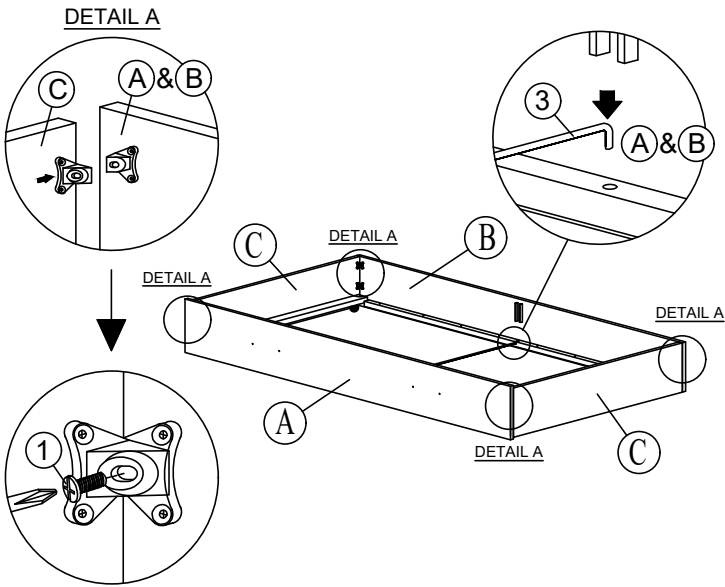
**Hardware Pack Location (s) :**

TWIN STORAGE TRUNDLE 27014-84 SKU# 35327041

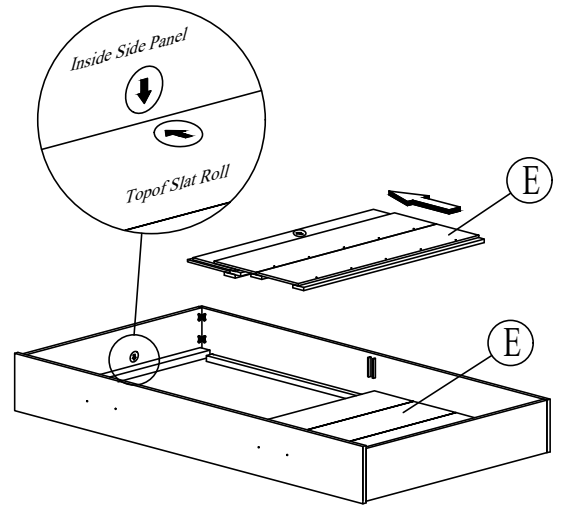
**This product is manufactured by STOF for ROOMSTOGO | KIDS**  
DO NOT USE SUBSTITUTE PARTS. PLEASE CONTACT YOUR DETAIL STORE OR [WWW.ROOMSTOGO.COM](http://WWW.ROOMSTOGO.COM)  
WITH SERVICE OR PARTS REPLACEMENT REQUEST

# ASSEMBLY INSTRUCTION

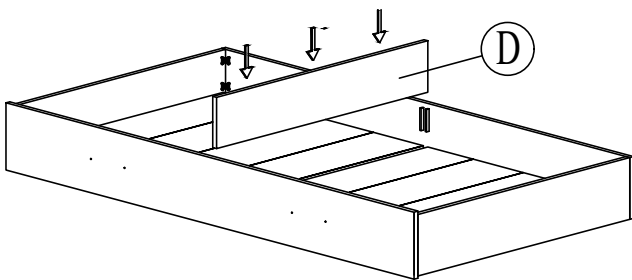
## STEP 1



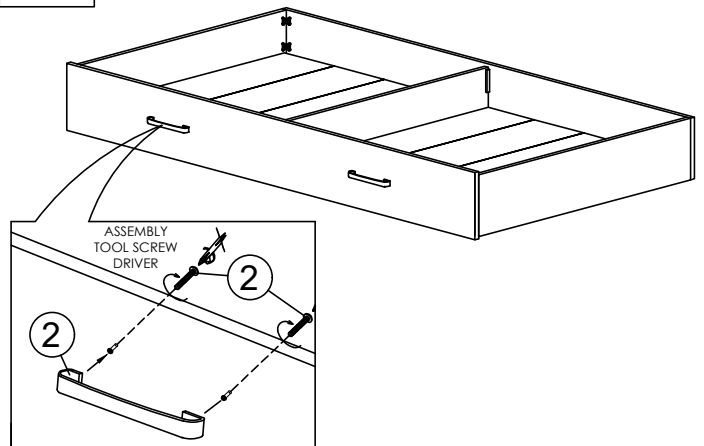
## STEP 2 JOIN BY ARROW STICKER.



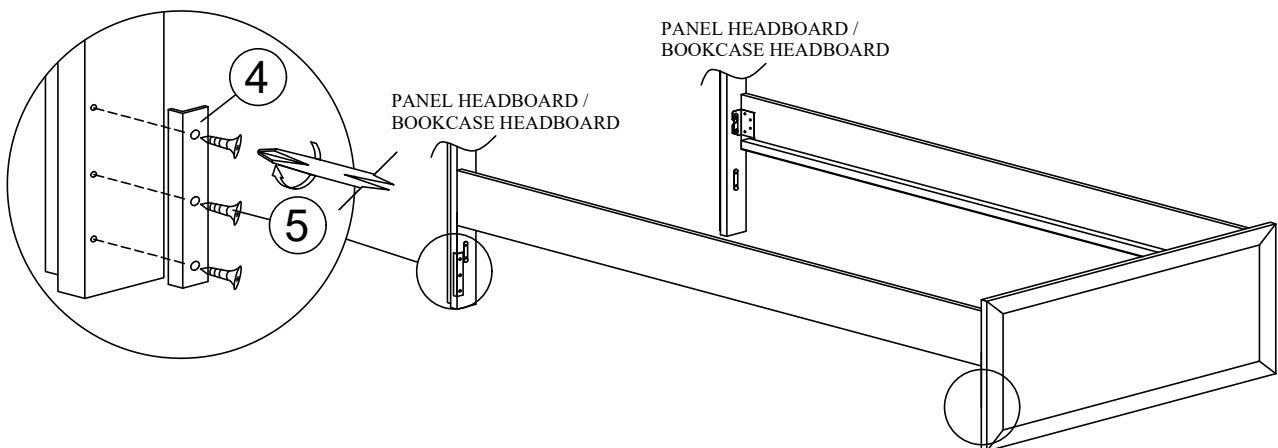
## STEP 3



## STEP 4



## STEP 5 FIX THE BRACKET-ACRYLIC L PROTECTOR (4) AS SHOWN BELOW. PREVENTING THE COLLISION TO THE HEADBOARD BRACKET.



This product is manufactured by STOF for **ROOMSTOGO | KIDS**  
DO NOT USE SUBSTITUTE PARTS. PLEASE CONTACT YOUR DETAIL STORE OR [WWW.ROOMSTOGO.COM](http://WWW.ROOMSTOGO.COM)  
WITH SERVICE OR PARTS REPLACEMENT REQUEST