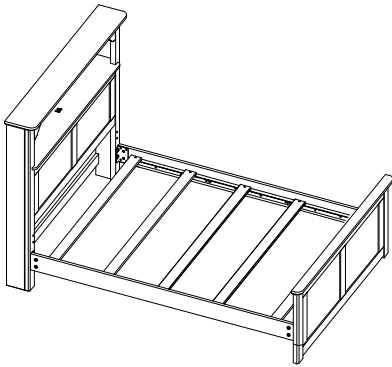
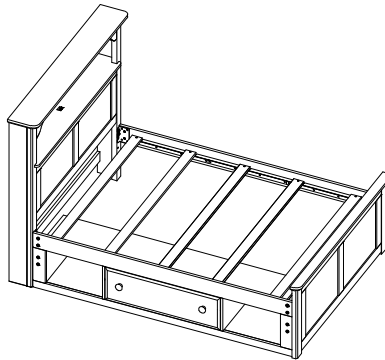


SOUTH BEND

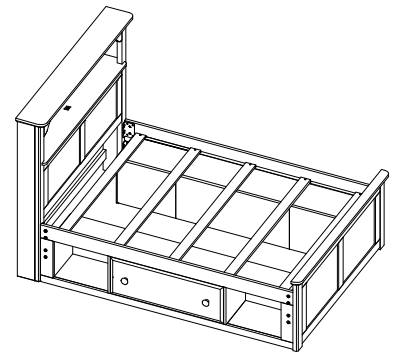
TWIN/ FULL BOOKCASE BED




**OPTION 1:
TWIN/FULL BOOKCASE BED**

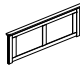




**OPTION 2:
TWIN/FULL BOOKCASE BED
w/ 1 STORAGE SIDE RAIL**




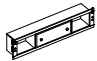
**OPTION 3:
TWIN/FULL BOOKCASE BED
w/ 2 STORAGE SIDE RAILS**





PART LIST IN THE BOX OF HEADBOARD			
NO.	DESCRIPTION	IMAGE	Q'TY
A	Headboard		1PC

PART LIST IN THE BOX OF FOOTBOARD + SLATS			
NO.	ITEM DESCRIPTION	IMAGE	Q'TY
B	Footboard		1PC
C	Slat		5PCS

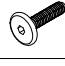




PART LIST IN THE BOX OF 2 PC SIDE RAILS			
NO.	ITEM DESCRIPTION	IMAGE	Q'TY
D	Twin/Full 2 PC Side Rails		2PCS

PART LIST IN THE BOX OF 1 PC SIDE RAIL			
NO.	ITEM DESCRIPTION	IMAGE	Q'TY
E	Twin/Full 1 PC Side Rail		1PC


PART LIST IN THE BOX OF STORAGE SIDE RAIL			
NO.	ITEM DESCRIPTION	IMAGE	Q'TY
F	Storage Side Rail		1PC

HARDWARE LIST FOR HEADBOARD			
NO.	ITEM DESCRIPTION	IMAGE	Q'TY
1	Allen Wrench 4*80mm		1PC
2	Wood Screw #8*32mm		10PCS
3	Allen Key 4*100mm		1PC
4	Tipping Restraint (Customer to assemble)		1PC

Remark:
In case of using the drilling machines for the assembling, please use the Allen Key (3) to replace Allen Wrench (1).

HARDWARE LIST FOR STORAGE SIDE RAIL			
NO.	ITEM DESCRIPTION	IMAGE	Q'TY
1	Bolt 5/16**25*Ø17mm		4PCS
2	Lock Washer 8mm		4PCS
3	Flat Washer Ø19*2mm		4PCS
4	Allen Wrench 4*80mm		1PC
5	Allen Key 4*100mm		1PC

Remark:
In case of using the drilling machines for the assembling, please use the Allen Key (5) to replace Allen Wrench (4).

HARDWARE REQUIRED	
	SCREWDRIVER (NOT INCLUDED)

DO NOT USE SUBSTITUTE PARTS.
PLEASE CONTACT YOUR RETAIL STORE OR WWW.ROOMSTOGO.COM WITH SERVICE OR PARTS REPLACEMENT REQUEST

This product is manufactured by INRM for **ROOMS TO GO | KIDS™**

SOUTH BEND TWIN/ FULL BOOKCASE BED

3472750P - TWIN BOOKCASE BED - CHERRY				
NO.	RTG SKU#	STYLE#	DESCRIPTION	QUANTITY
1	35127504	275-937	Twin Bookcase Headboard With USB	1
2	35227506	275-938	Twin Bookcase Footboard W/ 5 slats	1
3	35027502	275-036	Twin/Full 2 PC Side Rails	1

3502750P - FULL BOOKCASE BED - CHERRY				
NO.	RTG SKU#	STYLE#	DESCRIPTION	QUANTITY
1	35327508	275-947	Full Bookcase Headboard With USB	1
2	35427500	275-948	Full Bookcase Footboard W/ 5 slats	1
3	35027502	275-036	Twin/Full 2 PC Side Rails	1

3482750P - TWIN BOOKCASE BED W/ 1 STORAGE SIDE RAIL - CHERRY				
NO.	RTG SKU#	STYLE#	DESCRIPTION	QUANTITY
1	35127504	275-937	Twin Bookcase Headboard With USB	1
2	35227506	275-938	Twin Bookcase Footboard W/ 5 slats	1
3	35727506	275-980	Storage Side Rail	1
4	35527502	275-031	Twin/Full 1 PC Side Rail	1

3512750P - FULL BOOKCASE BED W/ 1 STORAGE SIDE RAIL - CHERRY				
NO.	RTG SKU#	STYLE#	DESCRIPTION	QUANTITY
1	35327508	275-947	Full Bookcase Headboard With USB	1
2	35427500	275-948	Full Bookcase Footboard W/ 5 slats	1
3	35727506	275-980	Storage Side Rail	1
4	35527502	275-031	Twin/Full 1 PC Side Rail	1

3492750P - TWIN BOOKCASE BED W/ 2 STORAGE SIDE RAILS - CHERRY				
NO.	RTG SKU#	STYLE#	DESCRIPTION	QUANTITY
1	35127504	275-937	Twin Bookcase Headboard With USB	1
2	35227506	275-938	Twin Bookcase Footboard W/ 5 slats	1
3	35727506	275-980	Storage Side Rail	2

3532750P - FULL BOOKCASE BED W/ 2 STORAGE SIDE RAILS - CHERRY				
NO.	RTG SKU#	STYLE#	DESCRIPTION	QUANTITY
1	35327508	275-947	Full Bookcase Headboard With USB	1
2	35427500	275-948	Full Bookcase Footboard W/ 5 slats	1
3	35727506	275-980	Storage Side Rail	2

3472950P - TWIN BOOKCASE BED - WHITE				
NO.	RTG SKU#	STYLE#	DESCRIPTION	QUANTITY
1	35129508	295-937	Twin Bookcase Headboard With USB	1
2	35229500	295-938	Twin Bookcase Footboard W/ 5 slats	1
3	35029506	295-036	Twin/Full 2 PC Side Rails	1

3502950P - FULL BOOKCASE BED - WHITE				
NO.	RTG SKU#	STYLE#	DESCRIPTION	QUANTITY
1	35329502	295-947	Full Bookcase Headboard With USB	1
2	35429504	295-948	Full Bookcase Footboard W/ 5 slats	1
3	35029506	295-036	Twin/Full 2 PC Side Rails	1

3482950P - TWIN BOOKCASE BED W/ 1 STORAGE SIDE RAIL - WHITE				
NO.	RTG SKU#	STYLE#	DESCRIPTION	QUANTITY
1	35129508	295-937	Twin Bookcase Headboard With USB	1
2	35229500	295-938	Twin Bookcase Footboard W/ 5 slats	1
3	35729500	295-980	Storage Side Rail	1
4	35529506	295-031	Twin/Full 1 PC Side Rail	1

3512950P - FULL BOOKCASE BED W/ 1 STORAGE SIDE RAIL - WHITE				
NO.	RTG SKU#	STYLE#	DESCRIPTION	QUANTITY
1	35329502	295-947	Full Bookcase Headboard With USB	1
2	35429504	295-948	Full Bookcase Footboard W/ 5 slats	1
3	35729500	295-980	Storage Side Rail	1
4	35529506	295-031	Twin/Full 1 PC Side Rail	1

3492950P - TWIN BOOKCASE BED W/ 2 STORAGE SIDE RAILS - WHITE				
NO.	RTG SKU#	STYLE#	DESCRIPTION	QUANTITY
1	35129508	295-937	Twin Bookcase Headboard With USB	1
2	35229500	295-938	Twin Bookcase Footboard W/ 5 slats	1
3	35729500	295-980	Storage Side Rail	2

3532950P - FULL BOOKCASE BED W/ 2 STORAGE SIDE RAILS - WHITE				
NO.	RTG SKU#	STYLE#	DESCRIPTION	QUANTITY
1	35329502	295-947	Full Bookcase Headboard With USB	1
2	35429504	295-948	Full Bookcase Footboard W/ 5 slats	1
3	35729500	295-980	Storage Side Rail	2

DO NOT USE SUBSTITUTE PARTS.

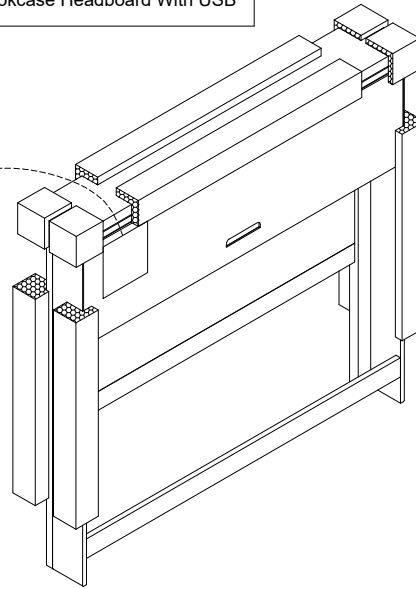
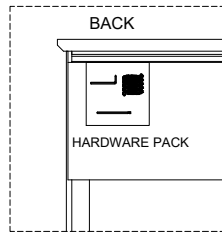
PLEASE CONTACT YOUR RETAIL STORE OR WWW.ROOMSTOGO.COM WITH SERVICE OR PARTS REPLACEMENT REQUEST

This product is manufactured by INRM for **ROOMS TO GO | KIDS™**

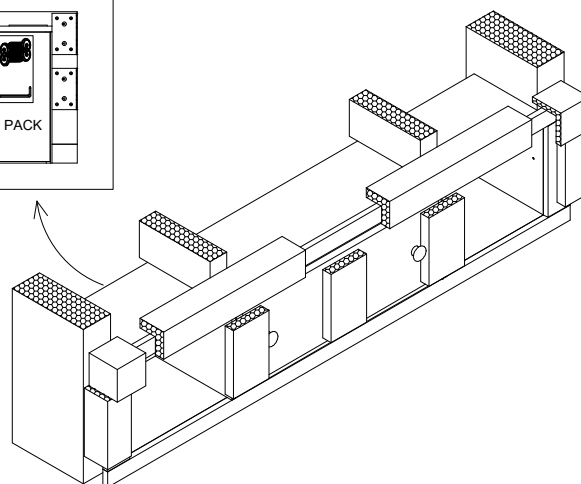
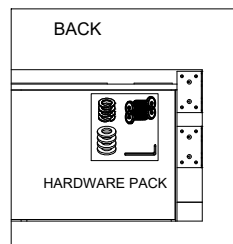
SOUTH BEND TWIN/ FULL BOOKCASE BED

Hardware pack location

RTG SKU#	STYLE#	COLOR	DESCRIPTION
35127504	275-937	Cherry	Twin Bookcase Headboard With USB
35129508	295-937	White	Twin Bookcase Headboard With USB
35327508	275-947	Cherry	Full Bookcase Headboard With USB
35329502	295-947	White	Full Bookcase Headboard With USB



RTG SKU#	STYLE#	COLOR	DESCRIPTION
35727506	275-980	Cherry	Storage Side Rail
35729500	295-980	White	Storage Side Rail



DO NOT USE SUBSTITUTE PARTS.

PLEASE CONTACT YOUR RETAIL STORE OR WWW.ROOMSTOGO.COM WITH SERVICE OR PARTS REPLACEMENT REQUEST

This product is manufactured by INRM for **ROOMS TO GO | KIDS™**

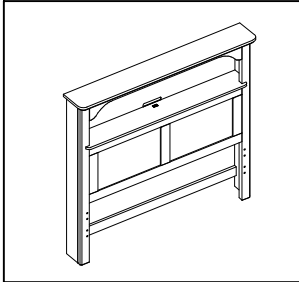
SOUTH BEND

TWIN/ FULL BOOKCASE BED

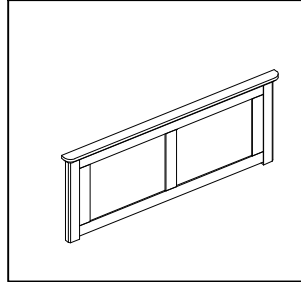
Thank you for purchasing this quality product. Be sure to check all packing material carefully for small parts which may have come loose inside the carton during shipment. Identify and count all parts and compare with the parts list below. Read all instructions before assembling and keep these instructions for future reference.

Assembly Instructions:

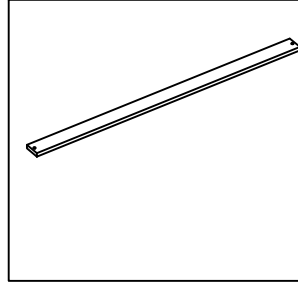
OPTION 1 : TWIN/FULL BOOKCASE BED



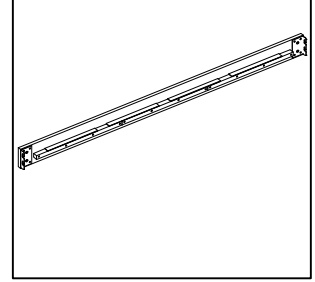
A. Headboard x 1pc



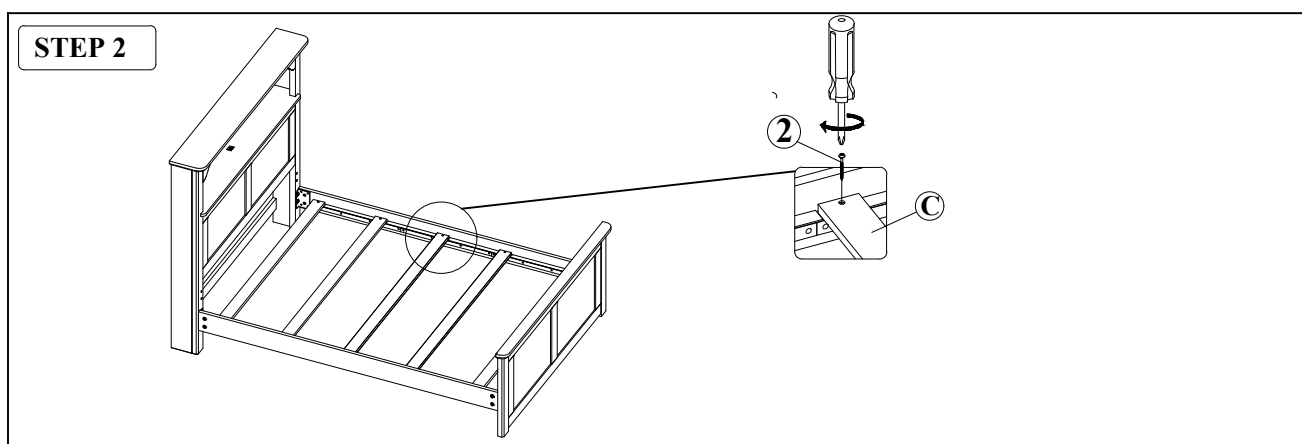
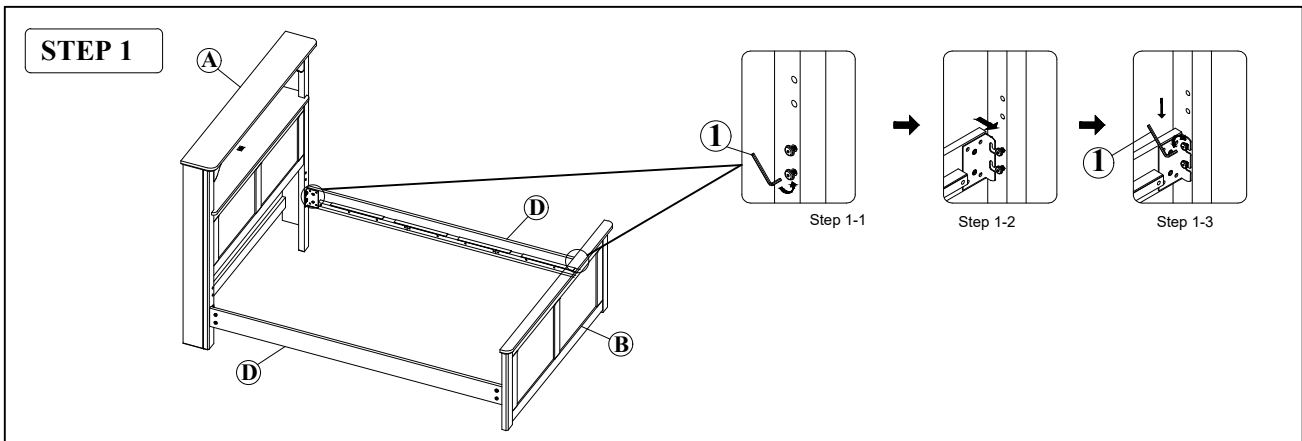
B. Footboard x 1pc



C. Slats x 5pcs



D. 2 PCS SR x 1pc



Screw the slats to the groove on the side rails cleat

DO NOT USE SUBSTITUTE PARTS.
PLEASE CONTACT YOUR RETAIL STORE OR WWW.ROOMSTOGO.COM WITH SERVICE OR PARTS
REPLACEMENT REQUEST

This product is manufactured by INRM for **ROOMS TO GO | KIDS™**

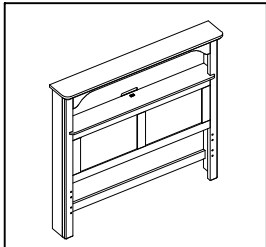
SOUTH BEND

TWIN/ FULL BOOKCASE BED

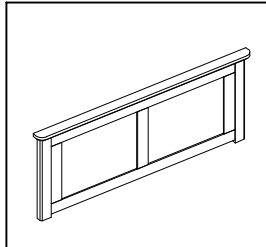
Thank you for purchasing this quality product. Be sure to check all packing material carefully for small parts which may have come loose inside the carton during shipment. Identify and count all parts and compare with the parts list below. Read all instructions before assembling and keep these instructions for future reference.

Assembly Instructions:

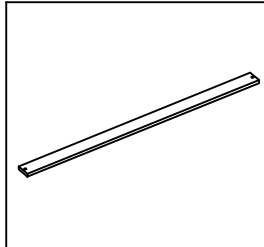
OPTION 2 : TWIN/FULL BOOKCASE BED W/ 1 STORAGE SIDE RAIL



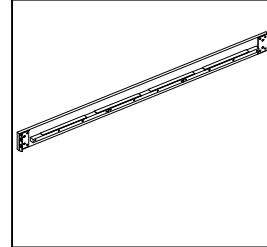
A. Headboard x 1pc



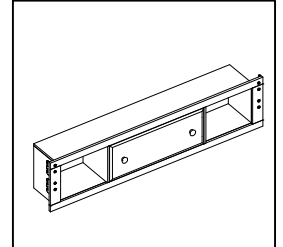
B. Footboard x 1pc



C. Slats x 5pcs

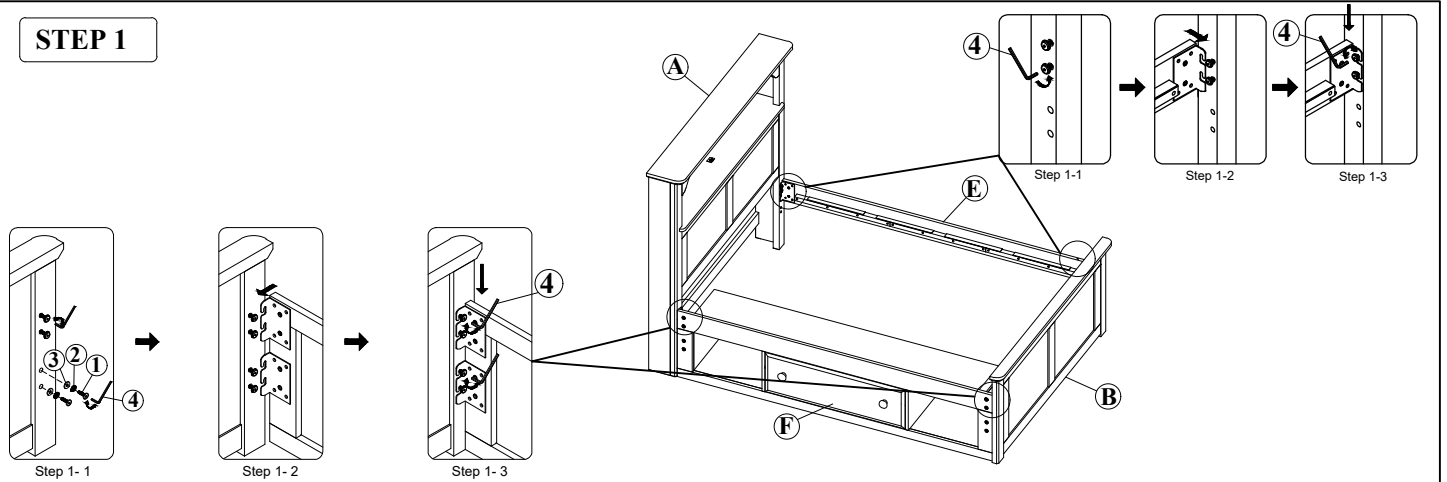


E. 1 PC SR x 1pc



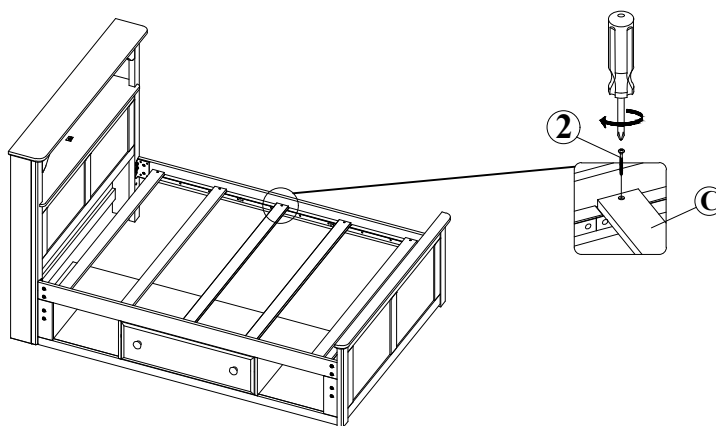
F. STG SR x 1pc

STEP 1



Assemble the Twin/ Full 1 PC Side Rail & Storage Side Rail to Headboard and Footboard

STEP 2



Screw the slats to the groove on the side rails cleat

DO NOT USE SUBSTITUTE PARTS.
PLEASE CONTACT YOUR RETAIL STORE OR WWW.ROOMSTOGO.COM WITH SERVICE OR PARTS REPLACEMENT REQUEST

This product is manufactured by INRM for **ROOMS TO GO | KIDS™**

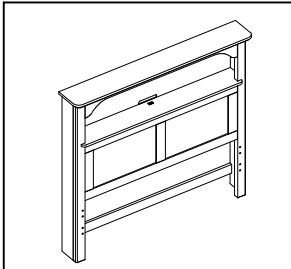
SOUTH BEND

TWIN/ FULL BOOKCASE BED

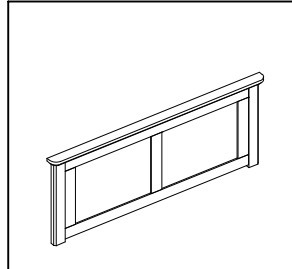
Thank you for purchasing this quality product. Be sure to check all packing material carefully for small parts which may have come loose inside the carton during shipment. Identify and count all parts and compare with the parts list below. Read all instructions before assembling and keep these instructions for future reference.

Assembly Instructions:

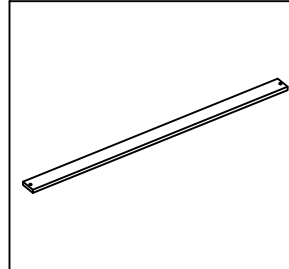
OPTION 3: TWIN/FULL BOOKCASE BED W/ 2 STORAGE SIDE RAILS



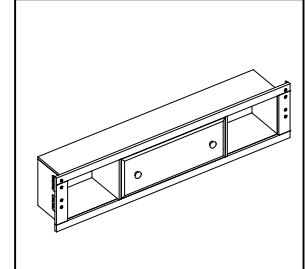
A. Headboard x 1pc



B. Footboard x 1pc

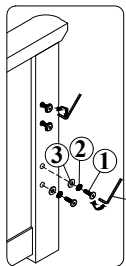


C. Slats x 5pcs

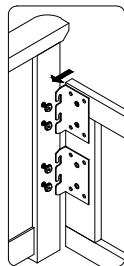


F. STG SR x 2pcs

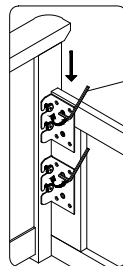
STEP 1



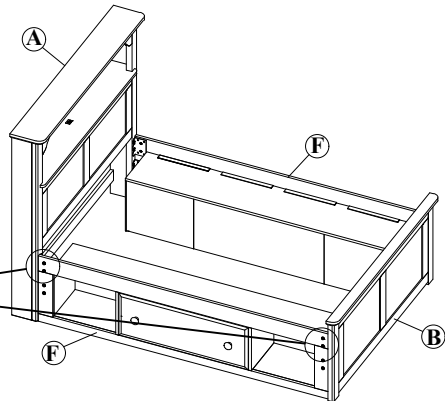
Step 1-1



Step 1-2

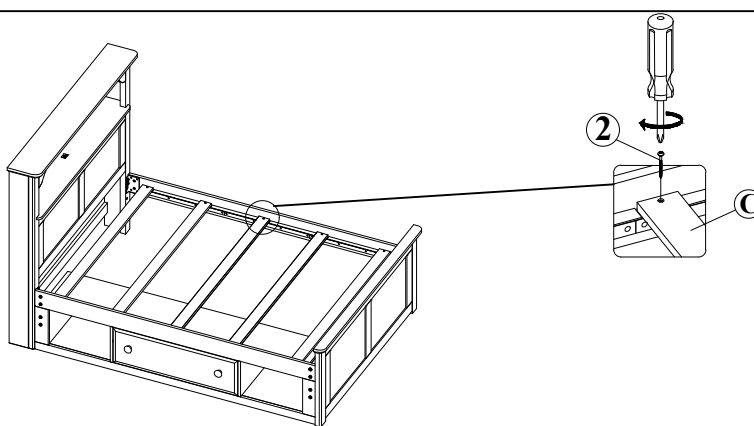


Step 1-3



Assemble 2 Storage Side Rails to Headboard and Footboard

STEP 2



Screw the slats to the groove on the side rails cleat

DO NOT USE SUBSTITUTE PARTS.

PLEASE CONTACT YOUR RETAIL STORE OR WWW.ROOMSTOGO.COM WITH SERVICE OR PARTS REPLACEMENT REQUEST

This product is manufactured by INRM for **ROOMS TO GO | KIDS™**

SOUTH BEND

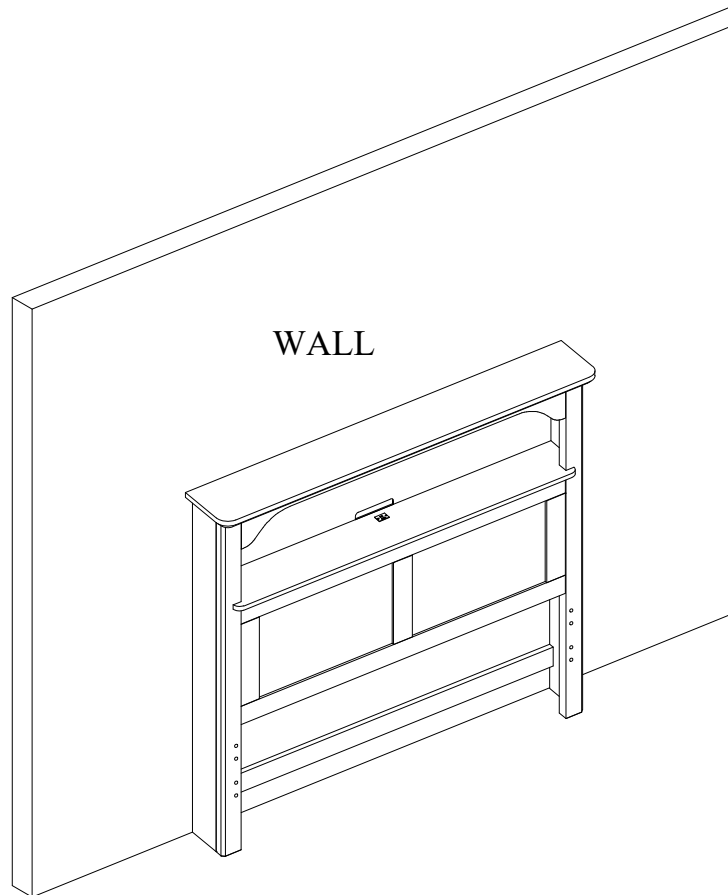
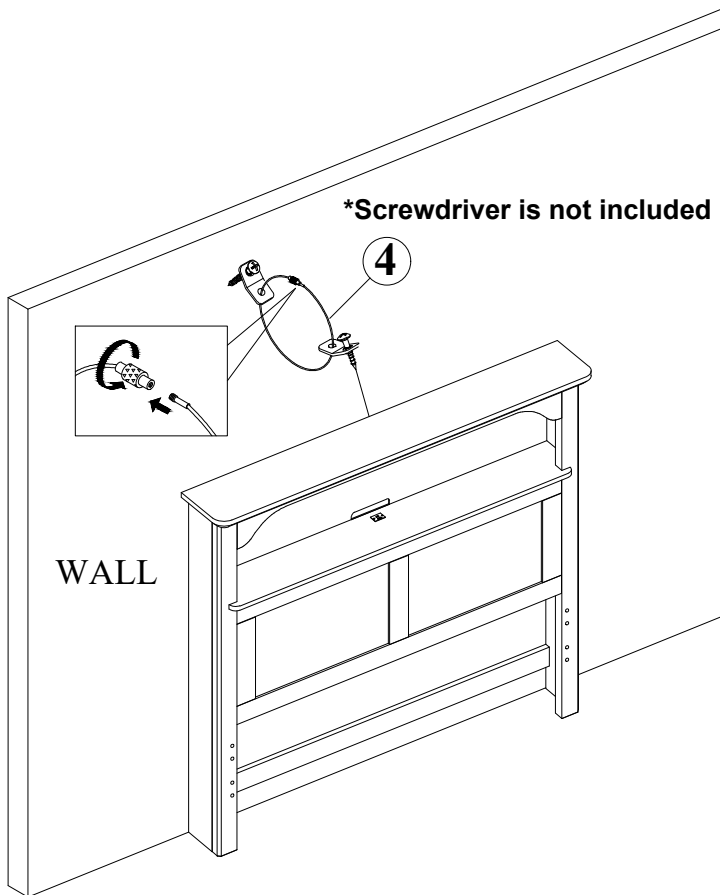
TWIN / FULL BOOKCASE HEADBOARD WITH USB

Thank you for purchasing this quality product. Be sure to check all packing material carefully for small parts which may have come loose inside the carton during shipment. Identify and count all parts and compare with the parts list below. Read all instructions before assembling and keep these instructions for future reference.

Assembly Instructions:

STEP 1

Move the Twin/Full Bookcase Headboard into final position and use tipping restraint attach to wall.



COMPLETE

DO NOT USE SUBSTITUTE PARTS.
PLEASE CONTACT YOUR RETAIL STORE OR WWW.ROOMSTOGO.COM WITH SERVICE OR PARTS
REPLACEMENT REQUEST

This product is manufactured by INRM for **ROOMS TO GO | KIDS™**

IMPORTANT SAFETY INSTRUCTIONS



WARNING

Misuse can result in FIRE or DEATH by ELECTRICAL SHOCK

12 VOLTS DC / 3 AMPERES/ 36 WATTS
MIÉZO INC.
ZZU1588-300120-2A

Read all instructions before using this furnishing.

DANGER – To reduce the risk of electric shock:

- Always unplug this furnishing from the electrical outlet before cleaning or servicing.

WARNING – To reduce the risk of burns, fire, electric shock, or injury to persons:

- Unplug from outlet before putting on or taking off parts.
- Never operate this furnishing if it has a damaged electrical cord or plug, if it is not working properly, or if the electrical cord or plug has been damaged or dropped into water. Stop using this furnishing and call a service center for examination and repair.
- Keep the electrical cord and plug away from heated surfaces and other heat sources.
- To disconnect, turn all controls to the off position, then remove plug from outlet.
- When operating, ensure that electrical cord is not under the base, legs, or motion mechanism to avoid damage to electrical cord or plug.
- Do not strain or stretch electrical cord.
- Do not use extension cords or power strips.
- Keep out of reach of children. This is not a toy.
- Plug directly into a compatible electrical socket.
- Do not modify the plug or use any adapters.

INSTRUCCIONES DE SEGURIDAD IMPORANTES



WARNING

El mal uso puede provocar **INCENDIO** o **MUERTE** por **DESCARGA ELÉCTRICA**

12 VOLTS DC / 3 AMPERES/ 36 WATTS
MIÉZO INC.
ZZU1588-300120-2A

Leer todas las instrucciones antes de usar este mobiliario.

Leer todas las instrucciones antes de usar este mobiliario.

- Siempre desenchufe este accesorio de la toma de corriente eléctrica antes de limpiarlo o repararlo

ADVERTENCIA: para reducir el riesgo de quemaduras, incendios, descargas eléctricas o lesiones a personas:

- Desenchufe del tomacorriente antes de colocar o quitar partes.
- Nunca opere este accesorio si tiene un cable o enchufe eléctrico dañado, si no funciona correctamente, o si el cable o el enchufe eléctrico se ha dañado o se ha caído al agua. Deje de usar este equipamiento y llame a un centro de servicio para que lo examinen y lo reparen.
- Mantenga el cable eléctrico y el enchufe lejos de superficies calientes y otras fuentes de calor
- Para desconectar, gire todos los controles a la posición de apagado, luego retire el enchufe del tomacorriente.
- Al operar, asegúrese de que el cable eléctrico no esté debajo de la base, las patas o el mecanismo de movimiento para evitar dañar el cable eléctrico o el enchufe.
- No fuerce ni estire el cable eléctrico.
- No utilizar cables de extensión o tomas de corriente.
- Mantener fuera del alcance de los niños. Esto no es un juguete
- Enchúfelo directamente a una toma de corriente compatible.
- No modifique el enchufe ni utilice adaptadores.