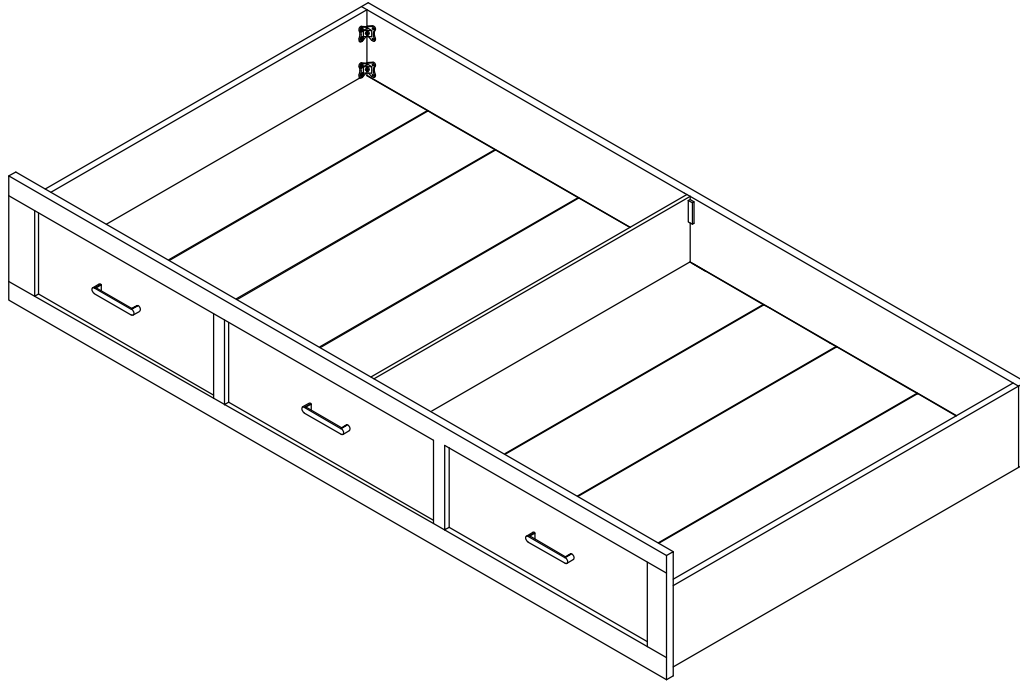
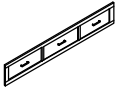

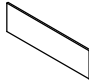
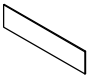

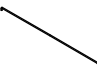


MODERN COLORS

TRUNDLE



SKU#	STYLE	COLOR	ITEM DESCRIPTION
35442540	425TT-W	WHITE	TRUNDLE
35442538	425TT-G	LIGHT GRAY	TRUNDLE
35442576	425TT-PK	PINK	TRUNDLE
35442514	425TT-IO	IRON ORE	TRUNDLE
35442526	425TT-SB	SLATE BLUE	TRUNDLE

TRUNDLE PART LIST			
NO.	ITEM DESCRIPTION	IMAGE	QTY
A	FRONT PANEL		1PC
B	BACK PANEL		1PC
C	SIDE PANEL		2PCS
D	DIVIDER PANEL		1PC
E	BOTTOM PANEL SET		2PCS
F	STABILIZER		1PC


DO NOT USE SUBSTITUTE PARTS. PLEASE CONTACT YOUR RETAIL STORE OR WWW.ROOMSTOGO.COM WITH SERVICE OR PARTS REPLACEMENT REQUEST.

This product is manufactured by (JSFC) for **ROOMS TO GO® | KIDS**


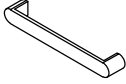

MODERN COLORS

TRUNDLE

TRUNDLE PRE-ASSEMBLED HARDWARE LIST

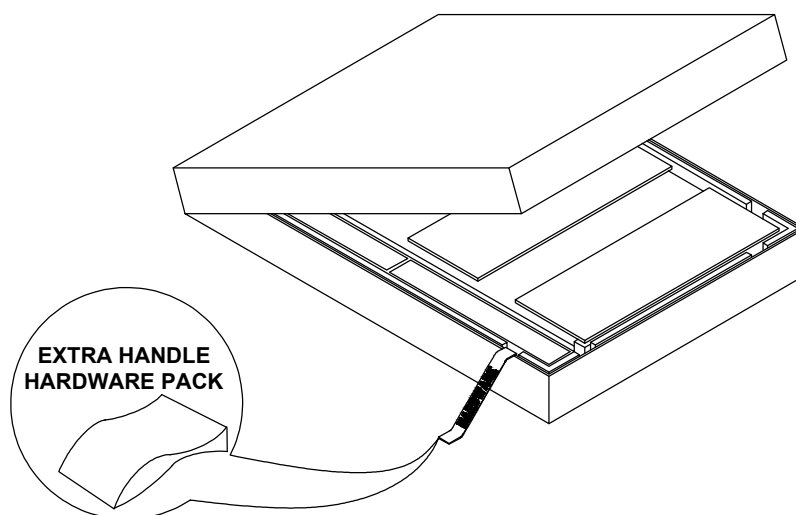
	DESCRIPTION	IMAGE	QTY
1	SCREW M5*1/2"		8 PCS

EXTRA SET OF GOLD DECORATIVE HARDWARE LIST

	DESCRIPTION	IMAGE	QTY
2	ALLEN KEY 4mm		1 PC
3	HANDLE		3 PCS
4	SCREW Ø5/32 *8* 7/8"L		6 PCS

HARDWARE PACK LOCATION

SKU#	STYLE	COLOR	ITEM DESCRIPTION
35442540	425TT-W	WHITE	TRUNDLE
35442538	425TT-G	LIGHT GRAY	TRUNDLE
35442576	425TT-PK	PINK	TRUNDLE
35442514	425TT-IO	IRON ORE	TRUNDLE
35442526	425TT-SB	SLATE BLUE	TRUNDLE



DO NOT USE SUBSTITUTE PARTS. PLEASE CONTACT YOUR RETAIL STORE OR WWW.ROOMSTOGO.COM WITH SERVICE OR PARTS REPLACEMENT REQUEST.

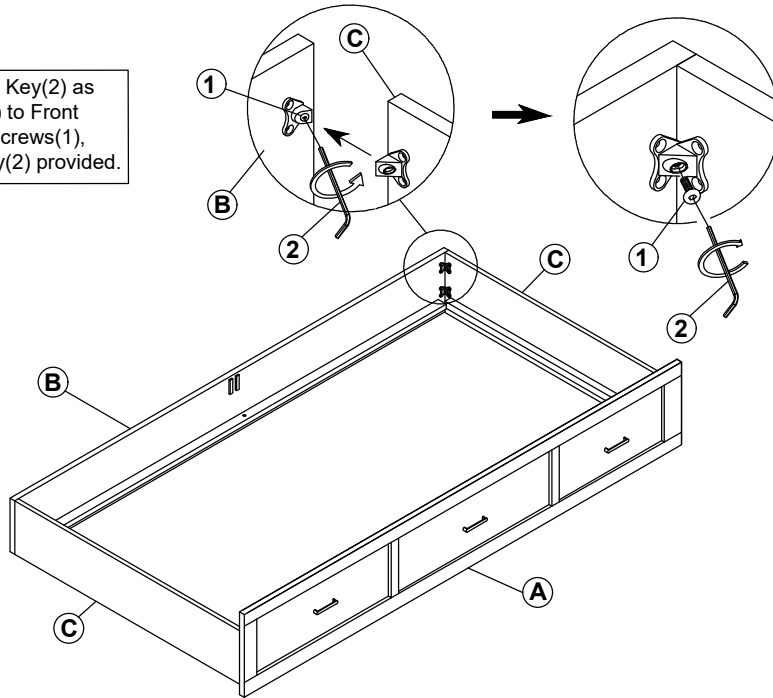
This product is manufactured by (JSFC) for **ROOMS TO GO® | KIDS**

Thank you for purchasing this quality product. Be sure to check all packing material carefully for small parts which may have come loose inside the carton during shipment. Identify and count all parts and compare with the parts list below. Read all instructions before assembling bed and keep these instruction for future reference.

Assembly Instructions:

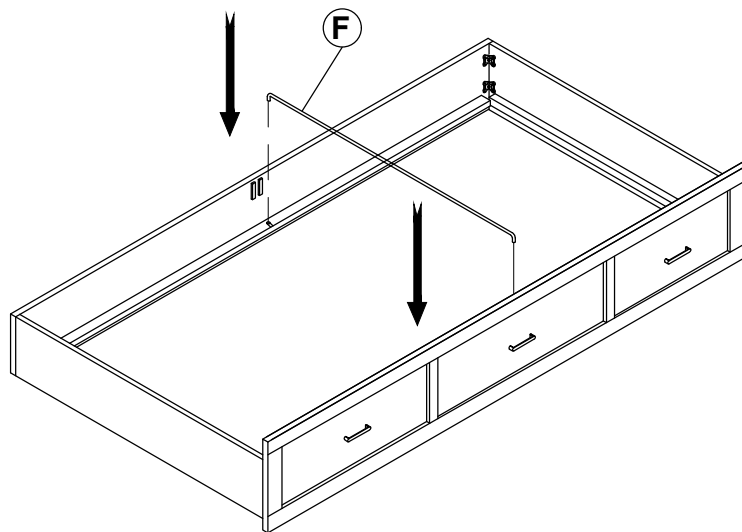
STEP 1

Screw out the screws(1) by Allen Key(2) as shown. Attach two Side Panel(C) to Front Panel(A) and Back Panel(B) by screws(1), tighten screws(1) using Allen Key(2) provided.



STEP 2

Insert stabilizer(F) in the pre-drilled hole on Front Panel(A) and Back Panel(B).



DO NOT USE SUBSTITUTE PARTS. PLEASE CONTACT YOUR RETAIL STORE OR WWW.ROOMSTOGO.COM WITH SERVICE OR PARTS REPLACEMENT REQUEST.

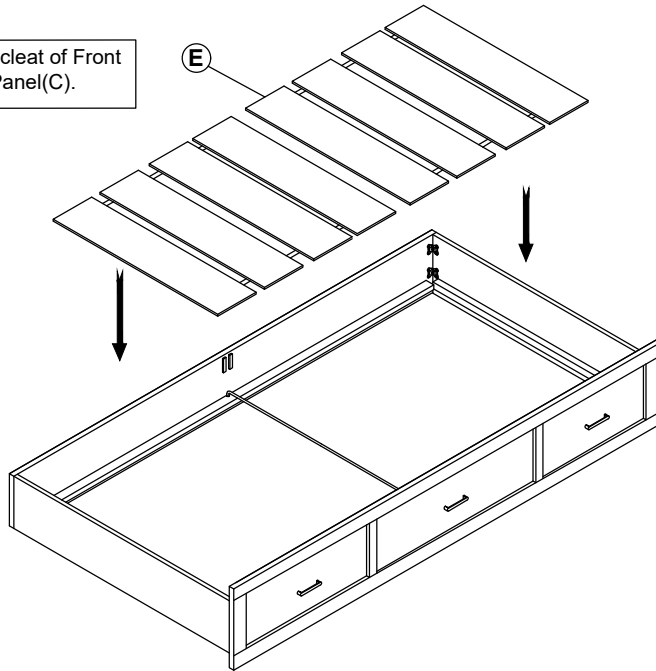
This product is manufactured by (JSFC) for **ROOMS TO GO® | KIDS**

Thank you for purchasing this quality product. Be sure to check all packing material carefully for small parts which may have come loose inside the carton during shipment. Identify and count all parts and compare with the parts list below. Read all instructions before assembling bed and keep these instruction for future reference.

Assembly Instructions:

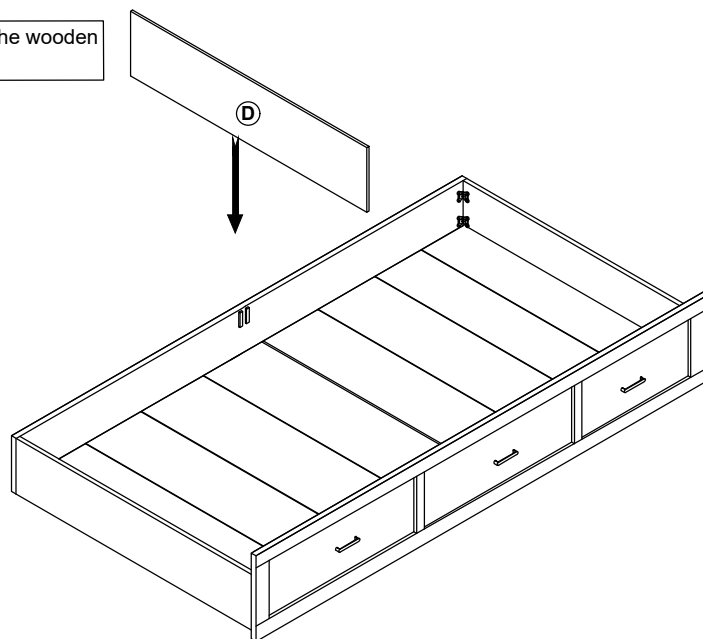
STEP 3

Put the Bottom Panel Set(E) on cleat of Front Panel(A), Back Panel(B), Side Panel(C).



STEP 4

Insert the Divider Panel(D) along the wooden groove as shown.

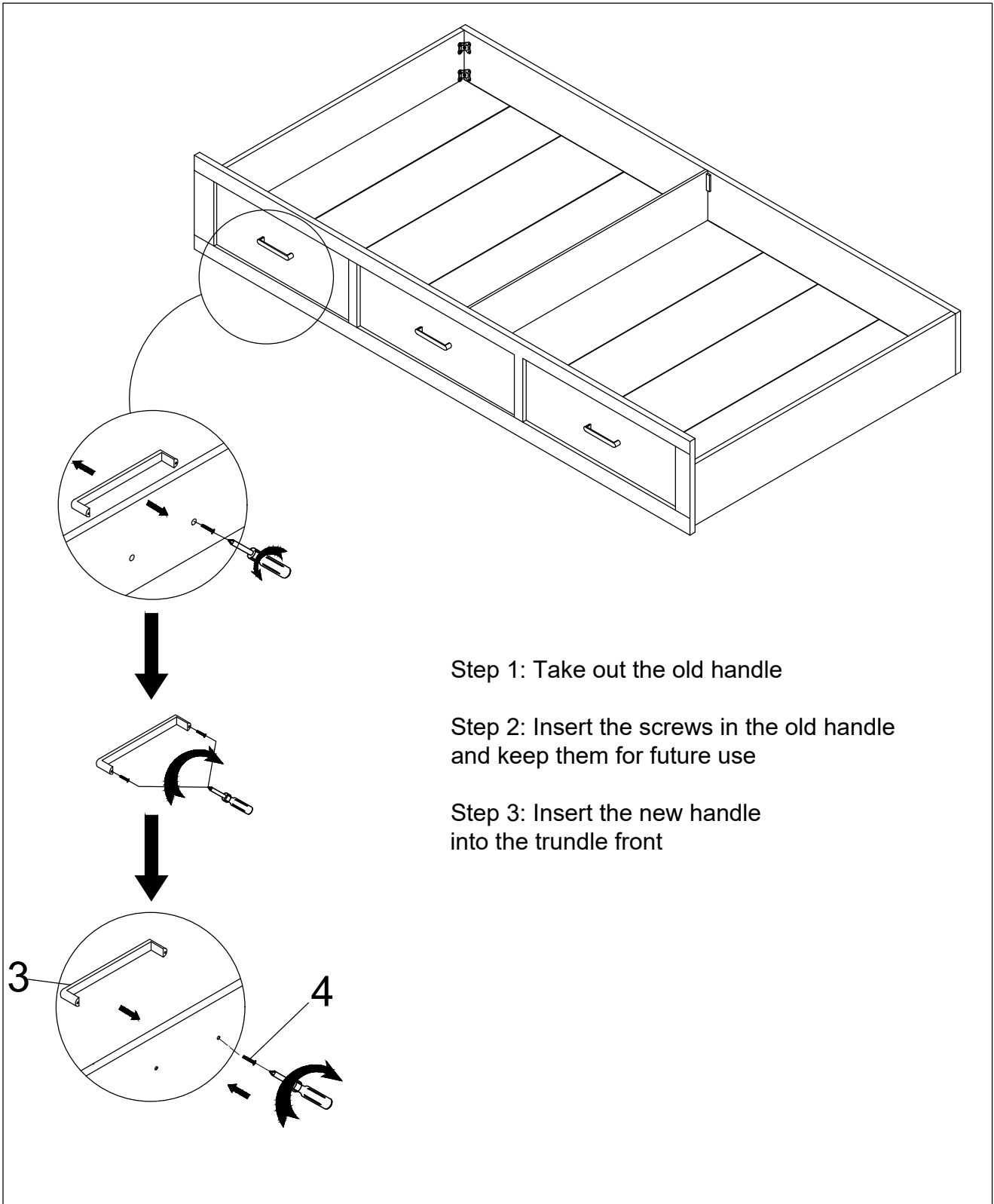


DO NOT USE SUBSTITUTE PARTS. PLEASE CONTACT YOUR RETAIL STORE OR WWW.ROOMSTOGO.COM WITH SERVICE OR PARTS REPLACEMENT REQUEST.

This product is manufactured by (JSFC) for **ROOMS TO GO® | KIDS**

Thank you for purchasing this quality product. Be sure to check all packing material carefully for small parts which may have come loose inside the carton during shipment. Identify and count all parts and compare with the parts list below. Read all instructions before assembling bed and keep these instruction for future reference.

Assembly Instructions:



Step 1: Take out the old handle

Step 2: Insert the screws in the old handle and keep them for future use

Step 3: Insert the new handle into the trundle front

DO NOT USE SUBSTITUTE PARTS. PLEASE CONTACT YOUR RETAIL STORE OR WWW.ROOMSTOGO.COM WITH SERVICE OR PARTS REPLACEMENT REQUEST.

This product is manufactured by (JSFC) for **ROOMS TO GO® | KIDS**

Thank you for purchasing this quality product. Be sure to check all packing material carefully for small parts which may have come loose inside the carton during shipment. Identify and count all parts and compare with the parts list below. Read all instructions before assembling bed and keep these instruction for future reference.

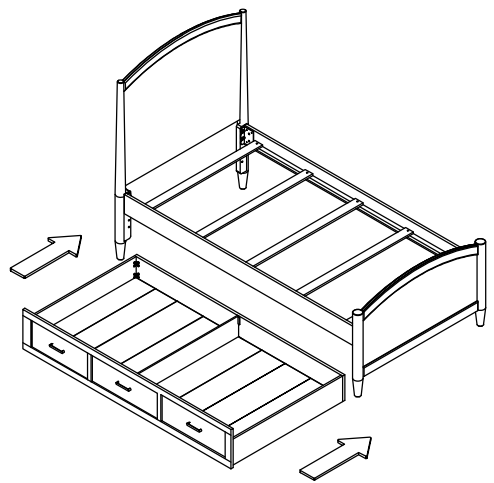
Assembly Instructions:

STEP 5

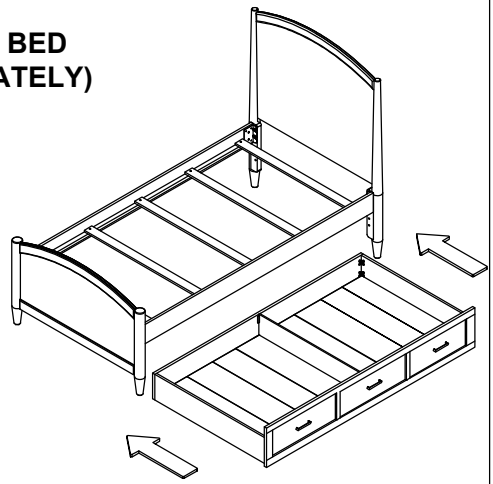
CONFIGURATION 1:

Remark: The trundle can be sliding from left or right side.

TWIN PANEL BED (SOLD SEPARATELY)



OPTION 1: the trundle in left position

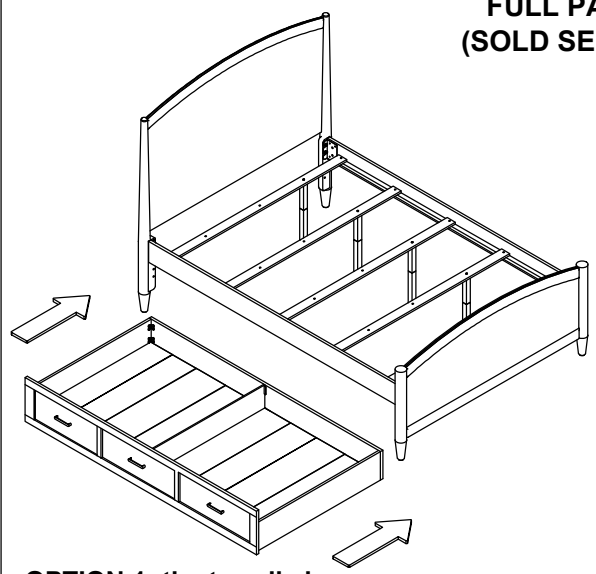


OPTION 2: the trundle in right position

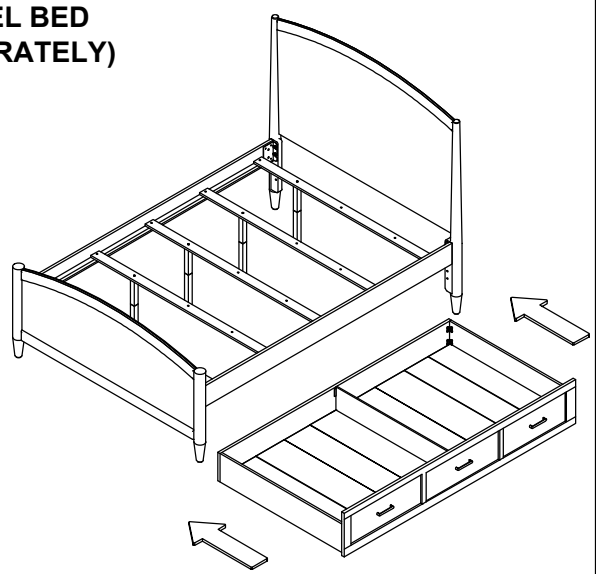
CONFIGURATION 2:

Remark: The trundle can be sliding from left or right side.

FULL PANEL BED (SOLD SEPARATELY)



OPTION 1: the trundle in left position



OPTION 2: the trundle in right position

DO NOT USE SUBSTITUTE PARTS. PLEASE CONTACT YOUR RETAIL STORE OR WWW.ROOMSTOGO.COM WITH SERVICE OR PARTS REPLACEMENT REQUEST.

This product is manufactured by (JSFC) for **ROOMS TO GO® | KIDS**

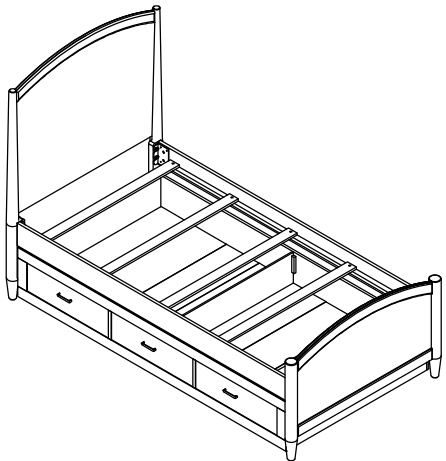
Thank you for purchasing this quality product. Be sure to check all packing material carefully for small parts which may have come loose inside the carton during shipment. Identify and count all parts and compare with the parts list below. Read all instructions before assembling bed and keep these instruction for future reference.

Assembly Instructions:

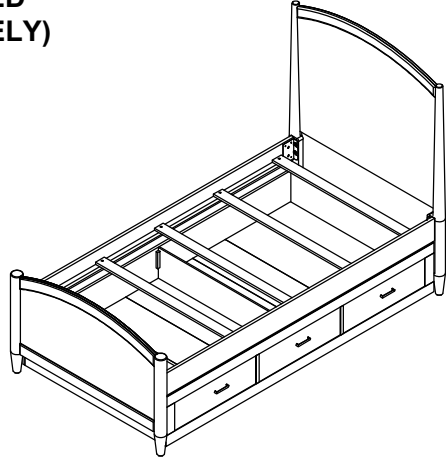
STEP 6

CONFIGURATION 1:

TWIN PANEL BED (SOLD SEPARATELY)



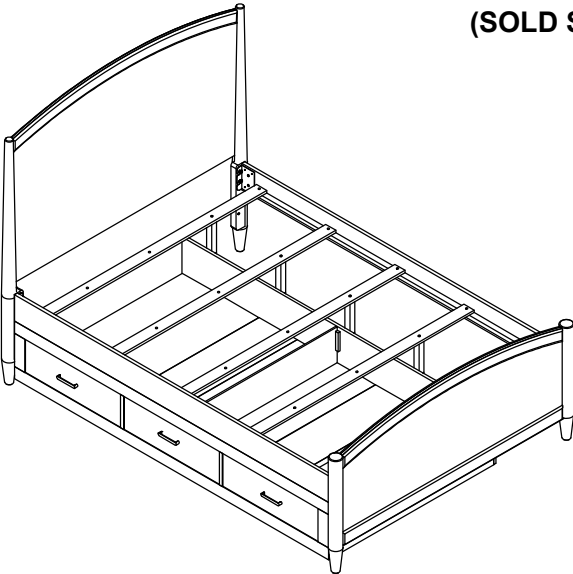
OPTION 1: the trundle in left position



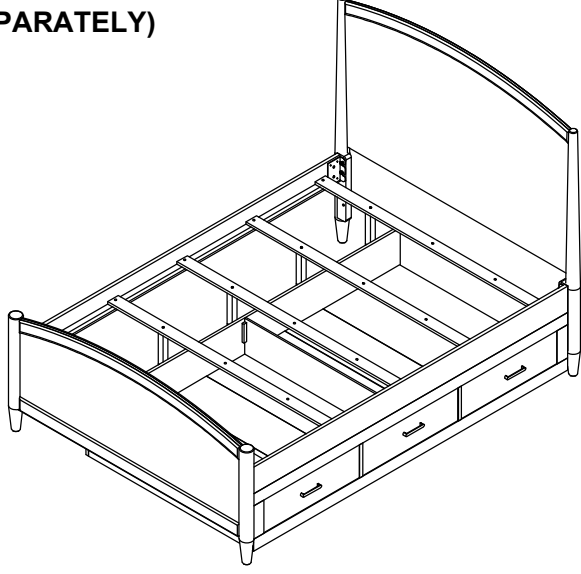
OPTION 2: the trundle in right position

CONFIGURATION 2:

FULL PANEL BED (SOLD SEPARATELY)



OPTION 1: the trundle in left position



OPTION 2: the trundle in right position

DO NOT USE SUBSTITUTE PARTS. PLEASE CONTACT YOUR RETAIL STORE OR WWW.ROOMSTOGO.COM WITH SERVICE OR PARTS REPLACEMENT REQUEST.

This product is manufactured by (JSFC) for **ROOMS TO GO® | KIDS**

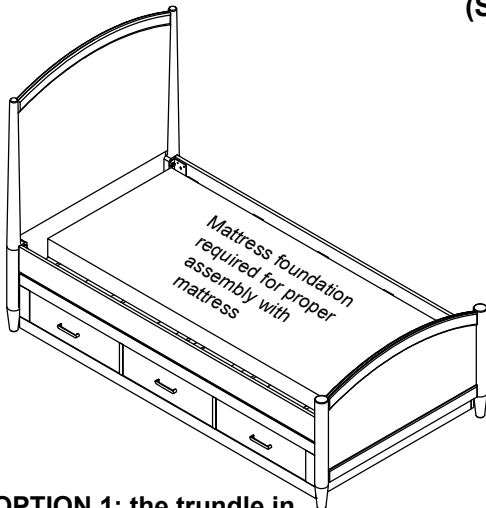
Thank you for purchasing this quality product. Be sure to check all packing material carefully for small parts which may have come loose inside the carton during shipment. Identify and count all parts and compare with the parts list below. Read all instructions before assembling bed and keep these instruction for future reference.

Assembly Instructions:

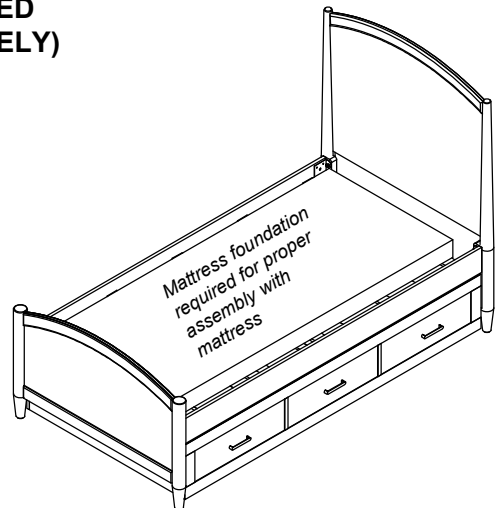
STEP 7

CONFIGURATION 1:

TWIN PANEL BED (SOLD SEPARATELY)



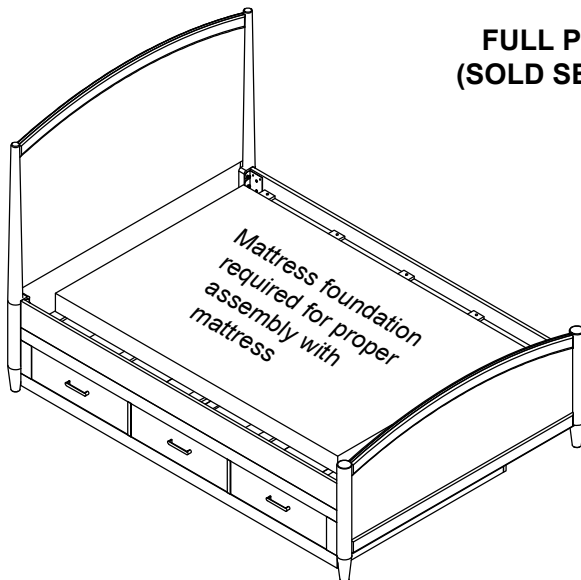
OPTION 1: the trundle in left position



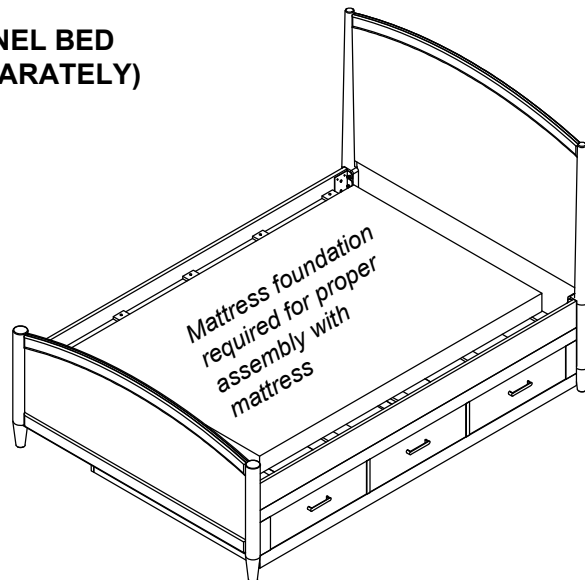
OPTION 2: the trundle in right position

CONFIGURATION 2:

FULL PANEL BED (SOLD SEPARATELY)



OPTION 1: the trundle in left position



OPTION 2: the trundle in right position

A mattress foundation is required for proper assembly with mattress. Place the mattress foundation (not provided) on top

DO NOT USE SUBSTITUTE PARTS. PLEASE CONTACT YOUR RETAIL STORE OR WWW.ROOMSTOGO.COM WITH SERVICE OR PARTS REPLACEMENT REQUEST.

This product is manufactured by (JSFC) for **ROOMS TO GO® | KIDS**