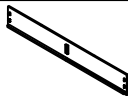
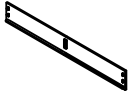
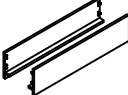
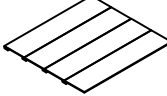



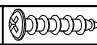
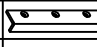



ASSEMBLY INSTRUCTION SKETCH

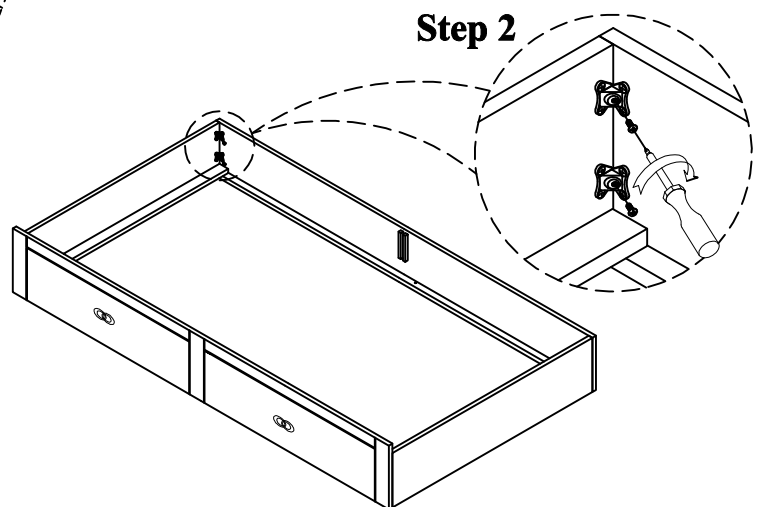
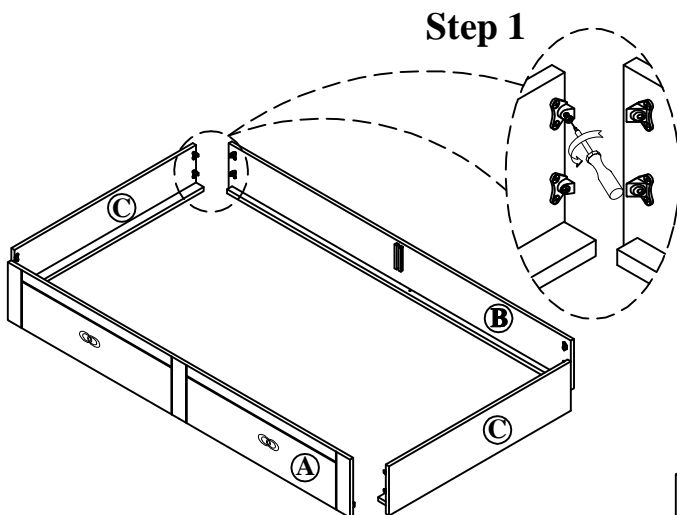
INRM - #500 - 805 - TRUNDLE

Thank you for purchasing this quality product . Be sure to check all packing material carefully for small parts which may have come loose inside the carton during shipment . Identify and count all parts and compare with the parts list below .

PARTS LIST			QTY
A	Front Panel		1pc
B	Back Panel		1pc
C	Side Panel		2pcs
D	Bottom Panel		2pcs
E	Partition		1pc

HARDWARE LIST			QTY
1		f8"x5/8" Screw	06pcs
2		"L" Plastic plate	2pcs
3		Steel Rod	1pc

HARDWARE REQUIRED			QTY
5		Screwdriver (Not Provided)	1pc

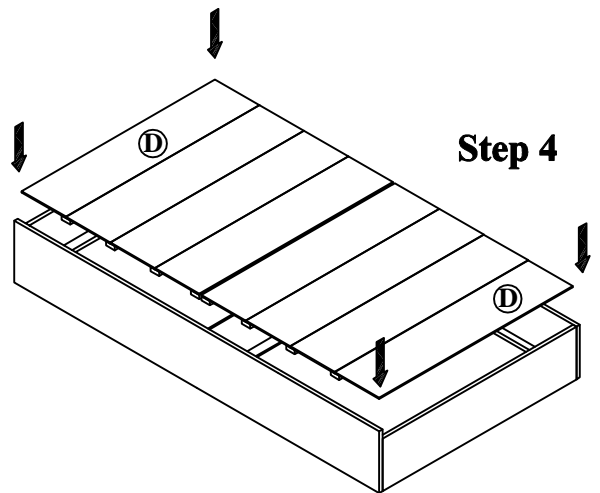
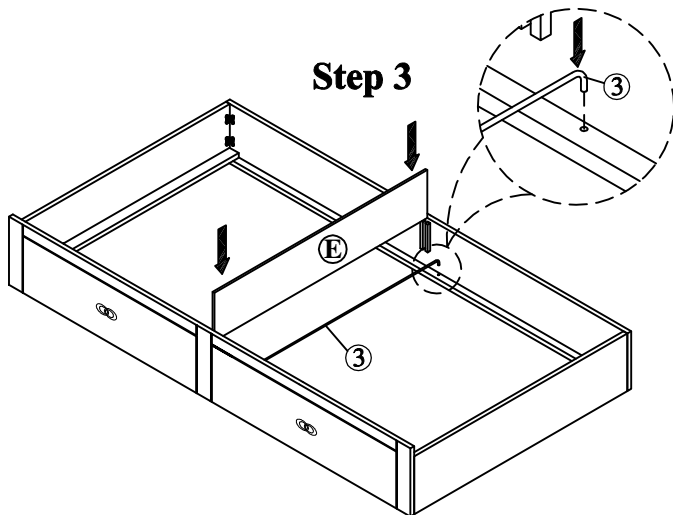




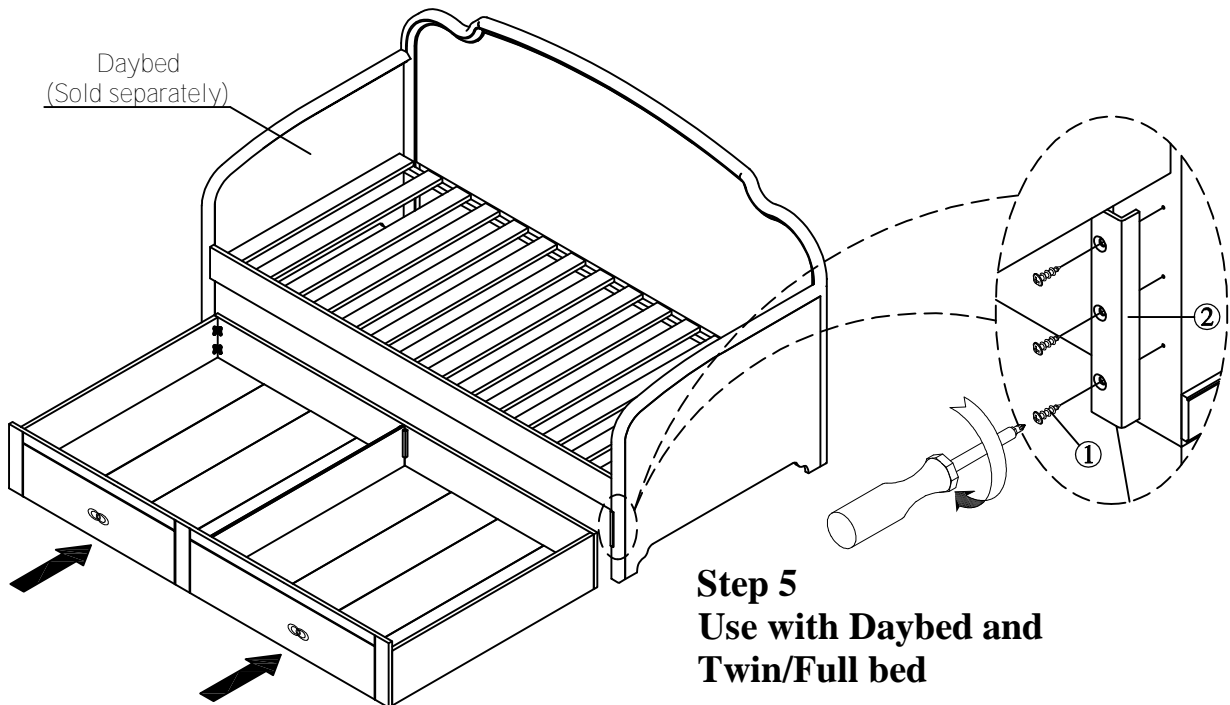
ASSEMBLY INSTRUCTION SKETCH

INRM - #500 - 805 - TRUNDLE

Thank you for purchasing this quality product . Be sure to check all packing material carefully for small parts which may have come loose inside the carton during shipment . Identify and count all parts and compare with the parts list below .



Daybed
(Sold separately)



Step 5
Use with Daybed and
Twin/Full bed