









# Assembly Instructions for

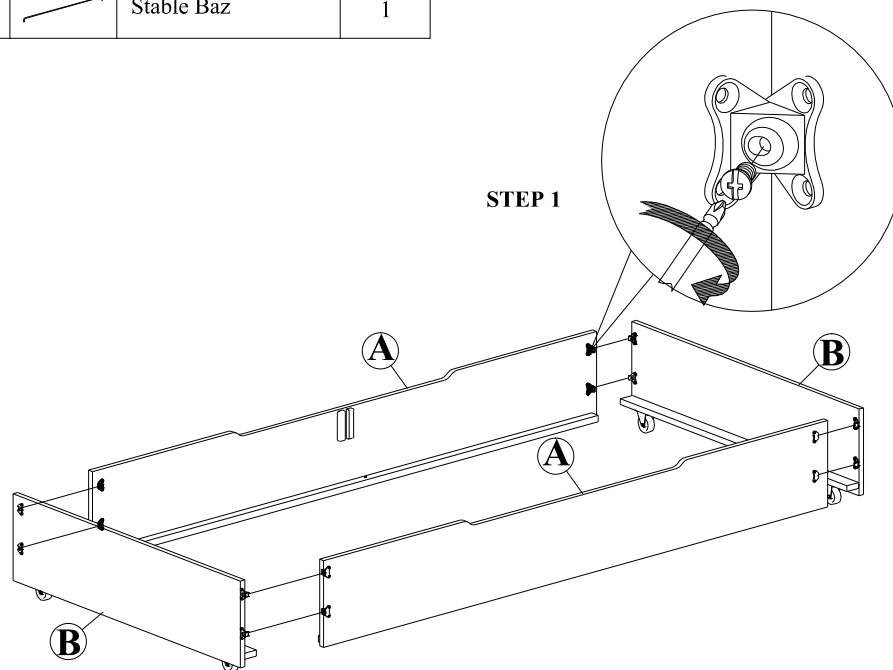
**INRM**                      **35460308**                      **#600-810**  
    **35460207**                      **#602-810**                      **TRUNDLE**  
    **35460409**                      **#603-810**

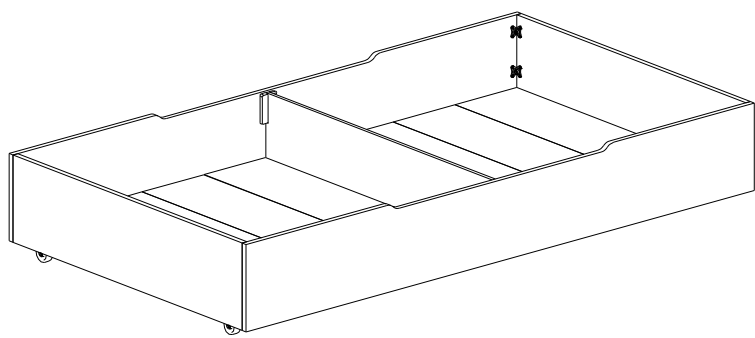
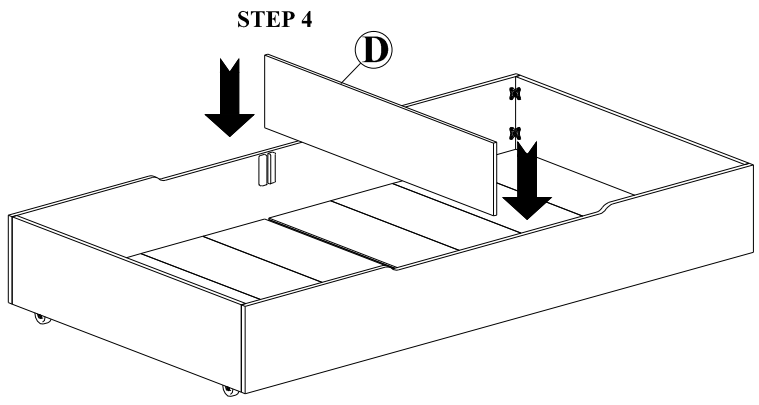
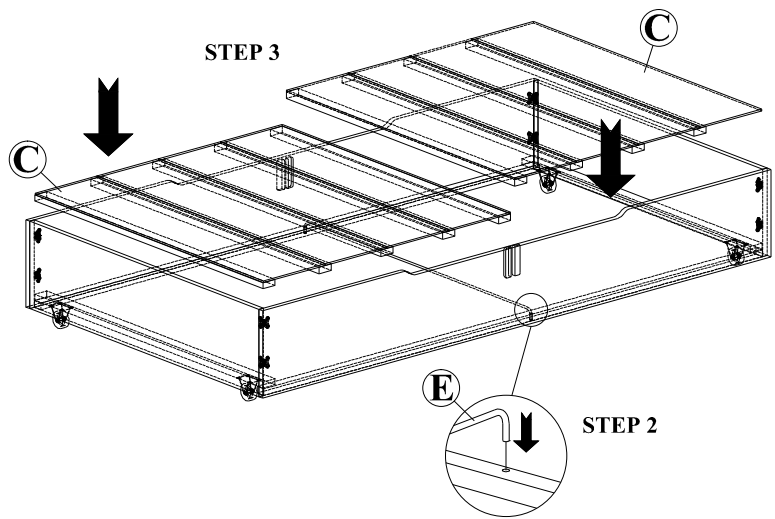
Thank you for purchasing this quality product. Be sure to check all packing material carefully for small parts, which may have come inside the carton during shipment. Identify and count all parts and compare with the HARDWARE LIST below.

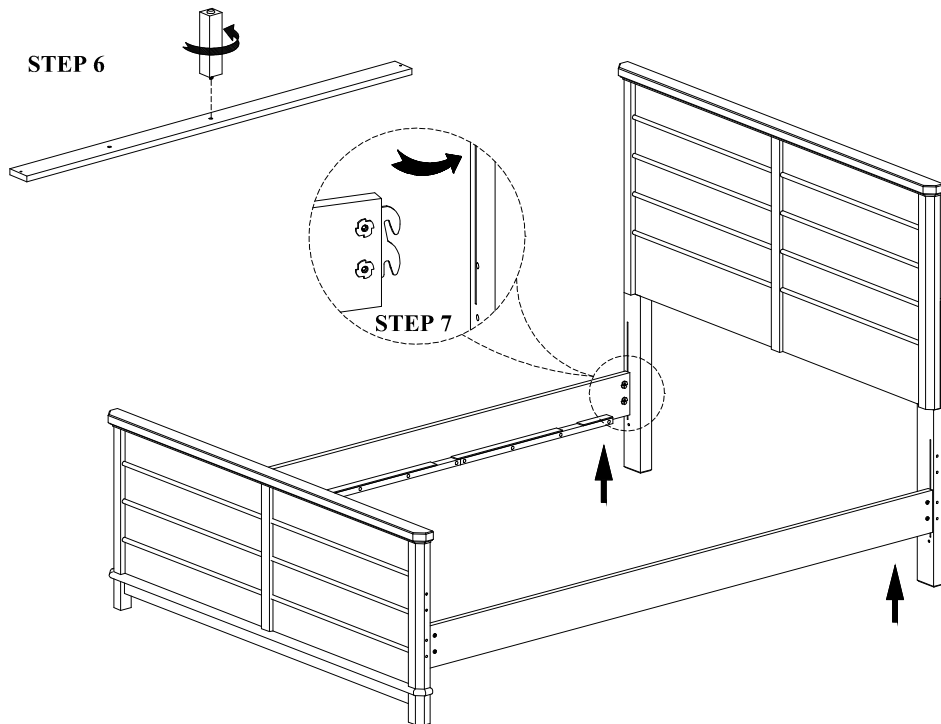
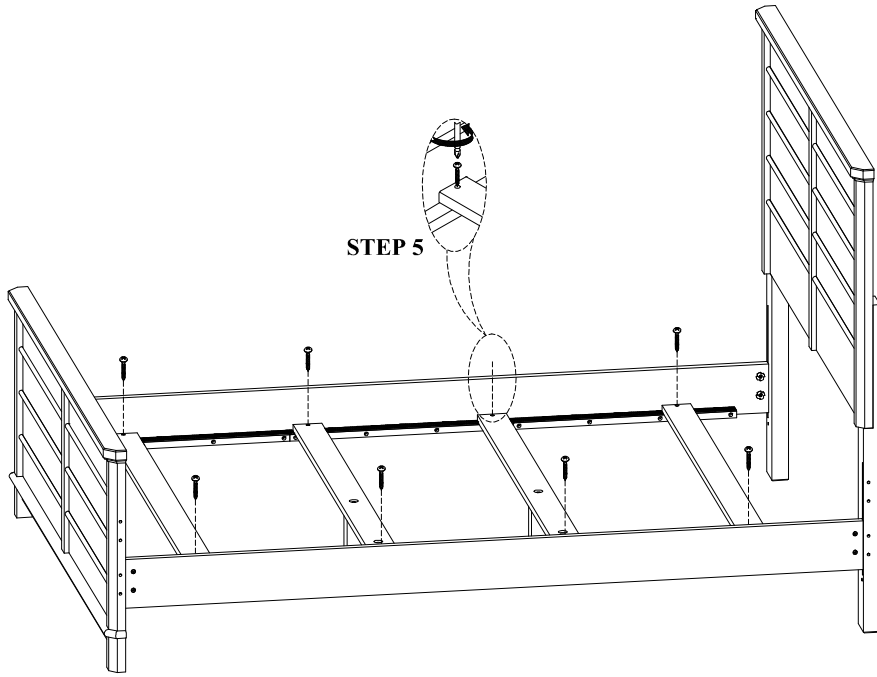
1. We recommend that you should assemble this product with the assistance of another person; this will make assembly easier, and will help to eliminate damage to the product or injury to persons during assembly.
2. Please do not over tighten screws or bolts until the assembly is completed.
3. Please put all parts on a non - abrasive floor before assembly, and follow the assembly steps to assemble your newly purchased product correctly and efficiently.

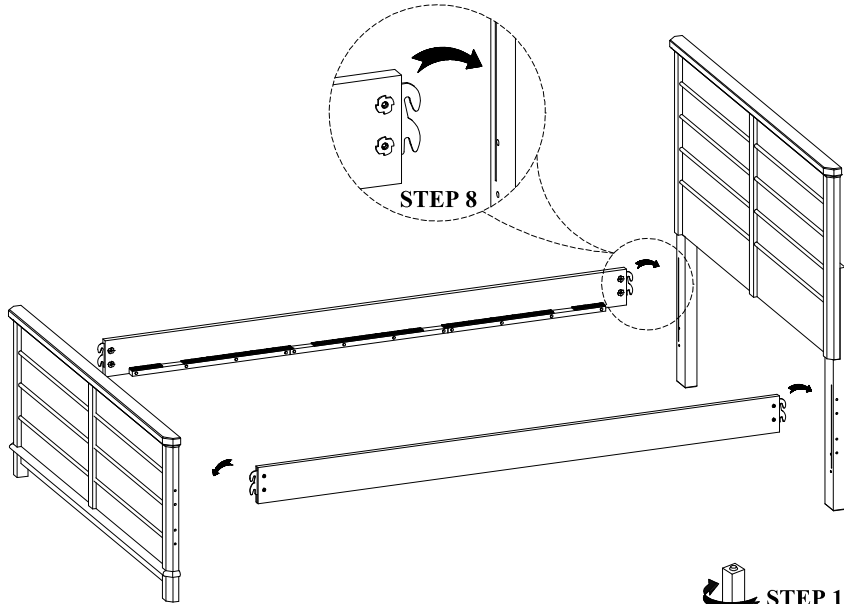
NO.		Parts List	Q' TY
A		Front/ Back Panel	2
B		Side Panel	2
C		Bottom Panel	2
D		Divider	1
E		Stable Baz	1

NO.		Hardware list	Q' TY
1		<b>Bolt M5*10mm</b>	8
2		<b>L Plastic Plate</b>	2
3		<b>Screw #8*15mm</b>	6



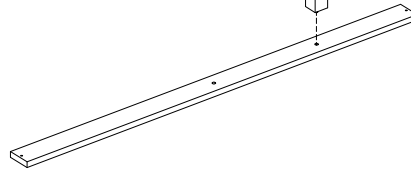




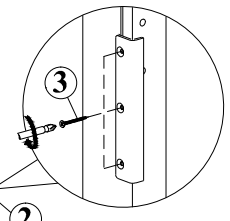
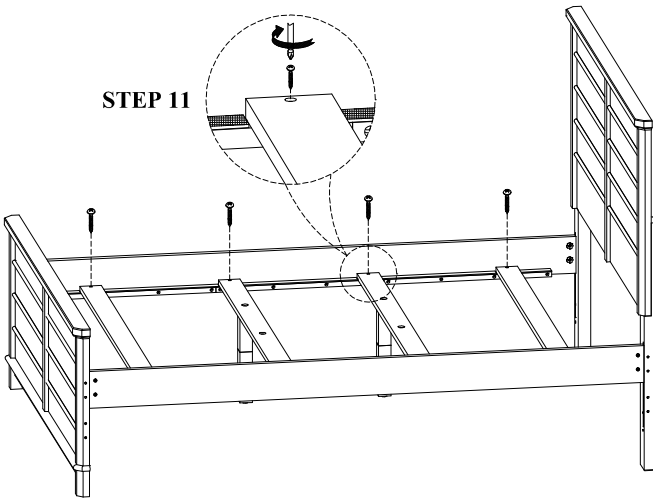


STEP 10

STEP 9



STEP 11



STEP 12

MADE IN VIETNAM  
Page 4 of 4