






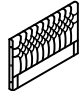


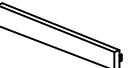
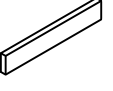
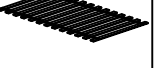


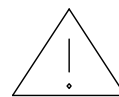
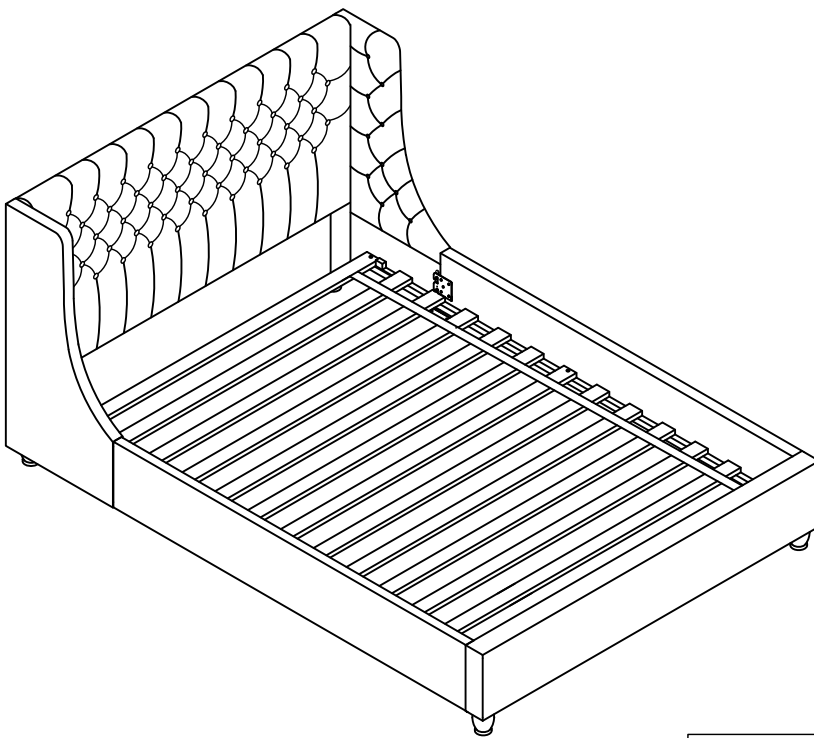


Assembly Instructions

Hous 855-19 Daybed SKU# 35508564 / 35608566
 Hous 855-20 Daybed SKU# 35708568 / 35808560
 Hous 856-19 Daybed SKU# 35108566 / 35208568
 Hous 856-20 Daybed SKU# 35308560 / 35408562
 Hous 858-19 Daybed SKU# 35908562 / 36008565
 Hous 858-20 Daybed SKU# 36108567 / 36208569
 Hous 861-19 Daybed SKU# 36308561 / 36408563
 Hous 861-20 Daybed SKU# 36508565 / 36608567

Step	Code	Hardware	QTY
	a	Allen Key 65*25*5mm 	1Pc
	b	Phillips Screwdriver (Not Provided) 	1Pc
	c	Allen Key 55*20*4mm 	1Pc
1	d	Bolt 1/4"*20mm 	8Pcs
1	e	L Shape Metal connector 180*59*31mm 	2Pcs
2	f	Bolt 5/16"*2-1/2" 	6Pcs
4	j	Screw #8*1" 	6Pcs

Code	Description	Parts	QTY
A	Headboard		1pc
B	Arm		2pcs
C	LEGS		4pc
D	Side Rail		2pcs
E	Footboard		1pc
F	straight Slats		13pcs



WARNING

CHOKING HAZARD--Small Parts
 This piece contains small parts, not intended for children under 3 years of age.

Hardware Pack/Legs Location(s) :

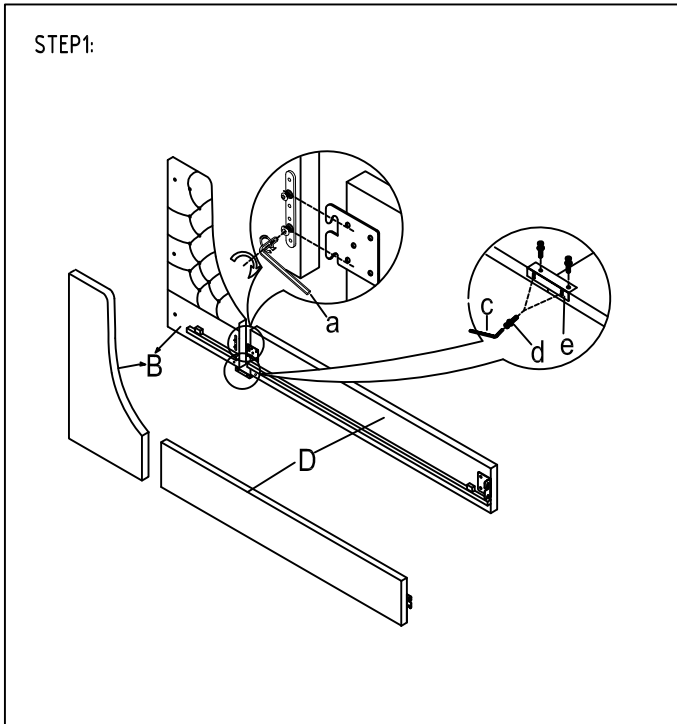
3/3 WINGS, FOOTBOARD, RAILS, SLATS	SKU#: 35608566	855-19FR
4/6 WINGS, FOOTBOARD, RAILS, SLATS	SKU#: 35808560	855-20FR
3/3 WINGS, FOOTBOARD, RAILS, SLATS	SKU#: 35208568	856-19FR
4/6 WINGS, FOOTBOARD, RAILS, SLATS	SKU#: 35408562	856-20FR
3/3 WINGS, FOOTBOARD, RAILS, SLATS	SKU#: 36008565	858-19FR
4/6 WINGS, FOOTBOARD, RAILS, SLATS	SKU#: 36208569	858-20FR
3/3 WINGS, FOOTBOARD, RAILS, SLATS	SKU#: 36408563	861-19FR
4/6 WINGS, FOOTBOARD, RAILS, SLATS	SKU#: 36608567	861-20FR



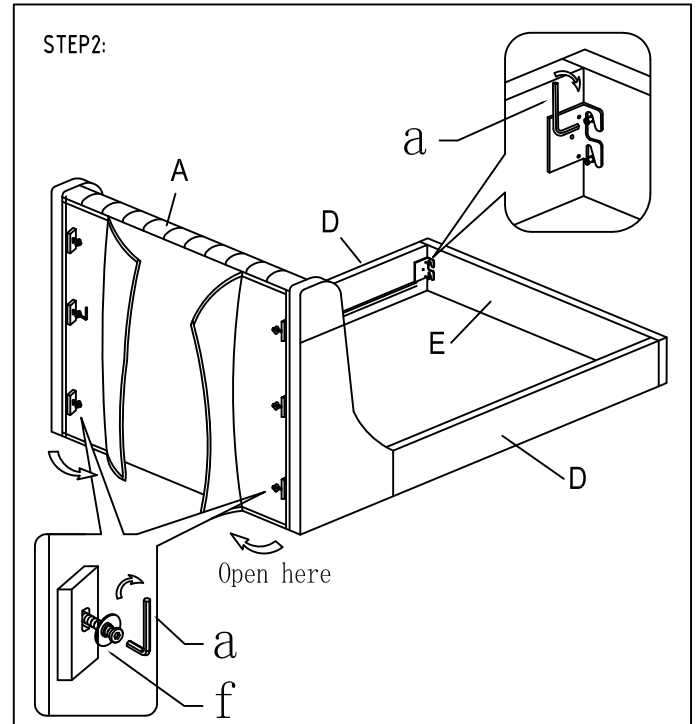
Assembly Instructions

Hous 855-19	Daybed	SKU# 35508564 / 35608566
Hous 855-20	Daybed	SKU# 35708568 / 35808560
Hous 856-19	Daybed	SKU# 35108566 / 35208568
Hous 856-20	Daybed	SKU# 35308560 / 35408562
Hous 858-19	Daybed	SKU# 35908562 / 36008565
Hous 858-20	Daybed	SKU# 36108567 / 36208569
Hous 861-19	Daybed	SKU# 36308561 / 36408563
Hous 861-20	Daybed	SKU# 36508565 / 36608567

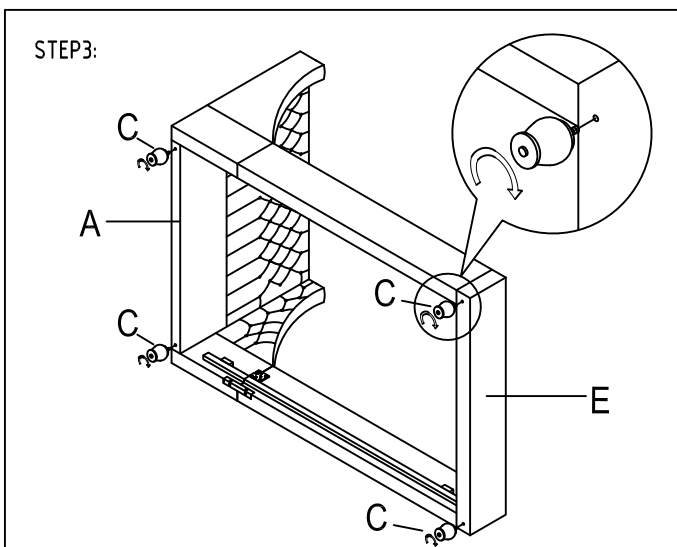
***Caution: Please read all instructions carefully before starting the assembly process. These parts are cumbersome and heavy. Therefore, two people are recommended in order to prevent personal injury and insure the parts are not damaged during the assembly.



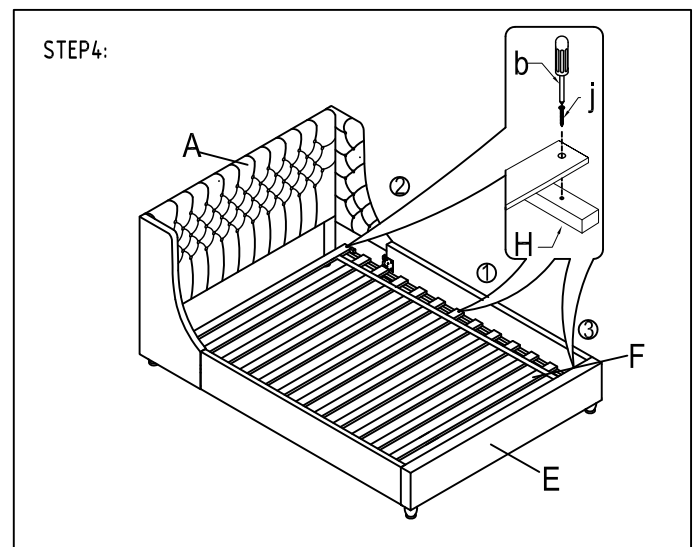
Loosen bolts on Arm(B) with Allen Key(a), place Arm(B), side Rail(D) into position.
Attached the L shape connector(e) to bottom of Arm(B) and side Rail(D), fix and tighten use bolt(d), Allen Key(c).
Then tighten the bolts on Arm(B) with Allen Key(a).



Open the velcro on back of the headboard(A). Place Headboard(A) into position as shown, tighten bolt(f) with Allen Key(a).
Loosen bolts on side Rail(D), attach the Footboard(E) to side Rail(D), and tighten the bolt with Allen Key(a).



Turn over the assembled daybed and swivel the Legs(C) into Headboard(A) and Footboard(E), then turn over and place daybed in position.



Place straight slats(F) on the support rails as STEP4 shows. Then secure slats by screw(j) at spot H as STEP4 shows. Remember to fix and secure the slats according to the number ①②③.
Note: when secure the slats to support rail with screw, make sure the screw will be aligned the predilled guide hole on the support rail.