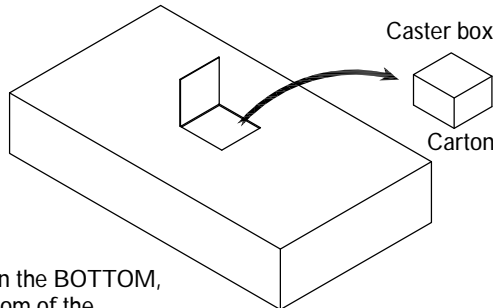


Thank you for purchasing this quality product. Be sure to check all packing material carefully for small parts which may have come loose inside the carton during shipment. Please do not tighten parts until all are assembled.

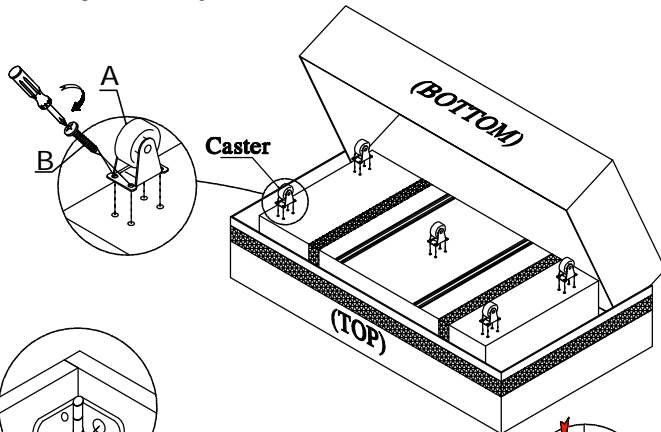
Step-1

Take out the caster box from top of carton window



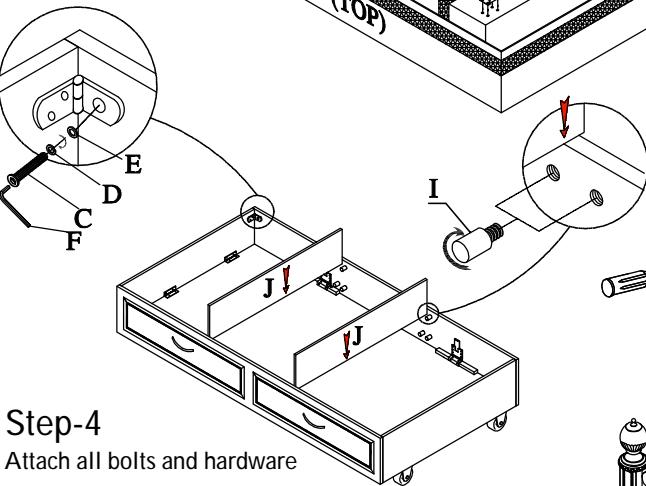
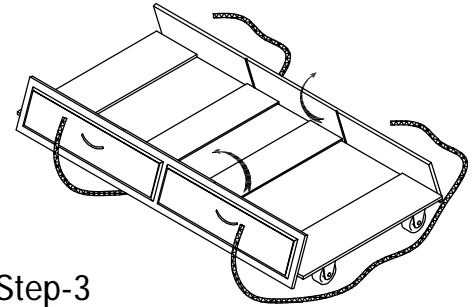
Step-2

Turn over the carton and open the BOTTOM, then attach the casters to bottom of the storage trundle by screws



Step-3

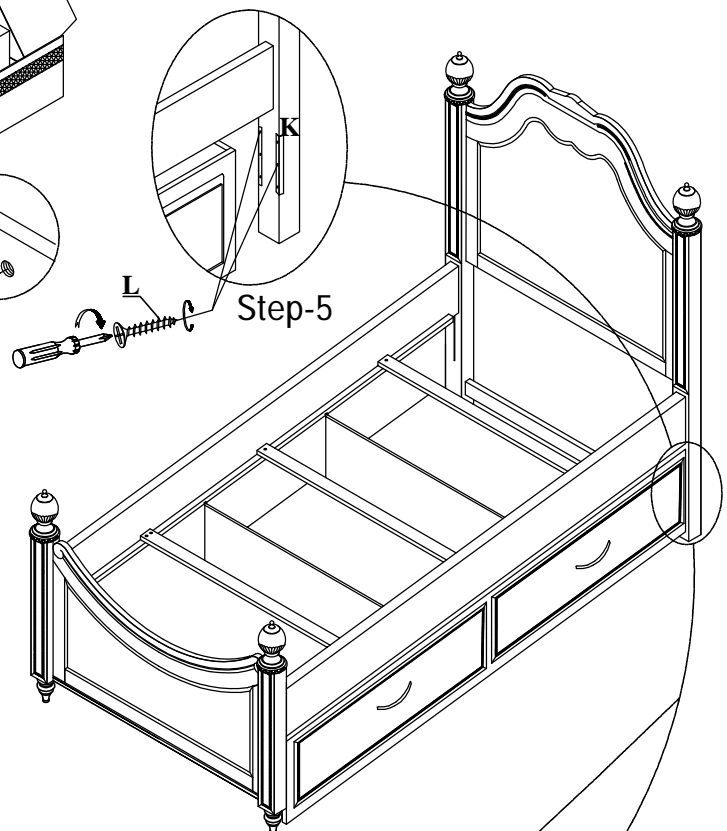
Take out the trundle from carton then put up all panels to correct position.



Step-4

Attach all bolts and hardware

Trundle storage



Step-5

| NO | Q'TY | DRAWING | DESCRIPTION |
|----|------|---------|--|
| A | 5 | | Wheel |
| B | 20 | | # 8*5/8" Screw |
| C | 4 | | ø1/4"*20*5/8" Allen Bolt |
| D | 4 | | ø1/4" Lock Washer |
| E | 4 | | ø1/4"*16mm Flat Washer |
| F | 1 | | ø1/4" Allen Wrench |
| I | 16 | | Allen Bolt |
| J | 2 | | Partition |
| K | 4 | | Plastic Corner Protector |
| L | 12 | | # 4*15mm Screw |
| | | | Screwdriver is not included in hardware pack |

NOTE:
 When using a storage trundle,
 Please install the enclosed plastic corner protectors
 To protect the bed posts from dents and scratches