

ROOMS TO GO

KIDS

Manufactured for Rooms to Go

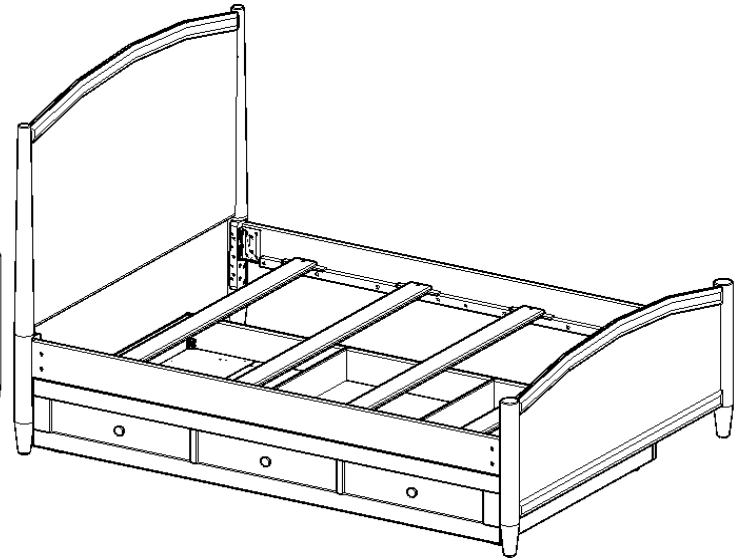
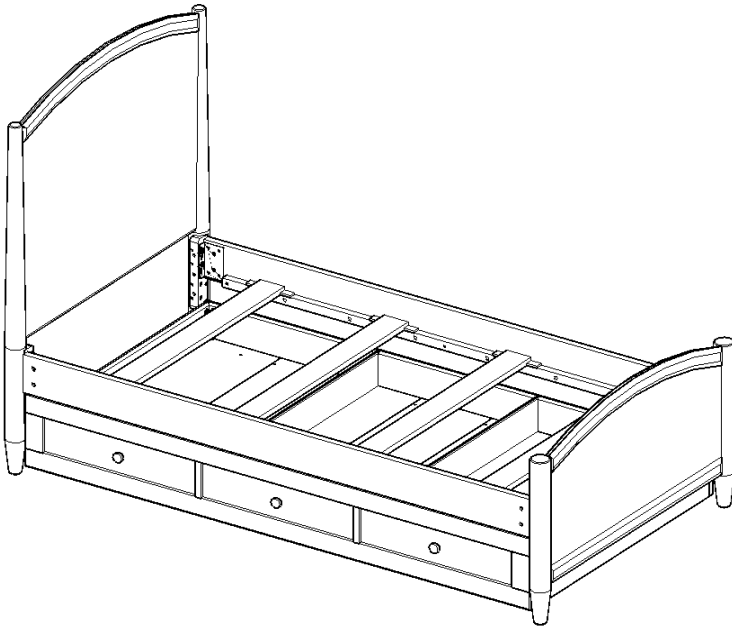
MODERN COLORS COLLECTION

THANK YOU FOR YOUR PURCHASE

- Read all the instructions, identify all components, and be sure you have all parts prior to assembly.
- DO NOT Use substitute parts. Contact your local Rooms To Go or visit www.ROOMSTOGO.COM for replacement parts and instructional literature if needed.

Reference page 2-4 for assembly steps

Reference page 5-7 for assembly steps



TWIN PANEL BED

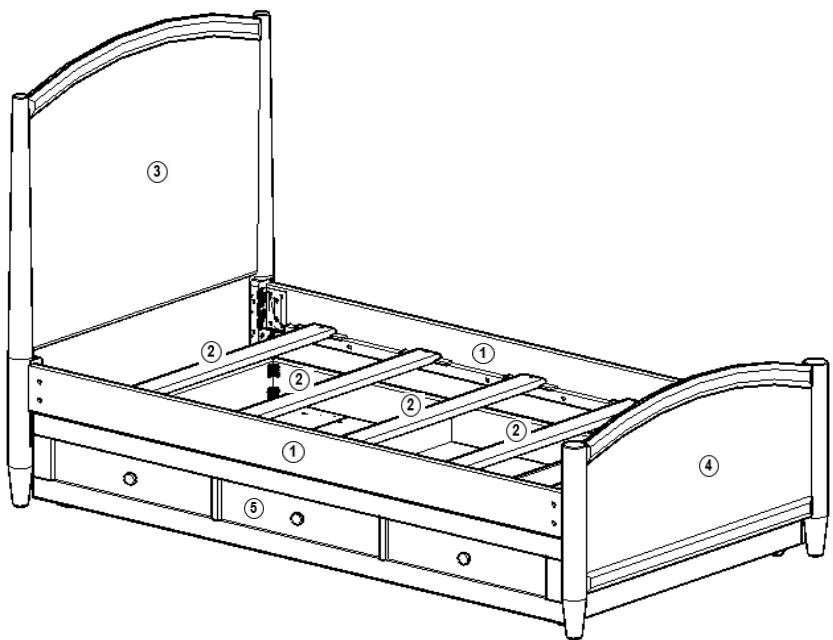
3401123P TWIN PANEL BED IRON ORE
3401124P TWIN PANEL BED SLATE BLUE
3401125P TWIN PANEL BED LIGHT GRAY
3401126P TWIN PANEL BED WHITE
3401127P TWIN PANEL BED PINK

FULL PANEL BED

3421123P FULL PANEL BED IRON ORE
3421124P FULL PANEL BED SLATE BLUE
3421125P FULL PANEL BED LIGHT GRAY
3421126P FULL PANEL BED WHITE
3421127P FULL PANEL BED PINK

PLEASE CONTACT YOUR RETAIL STORE WITH SERVICE OR PARTS REPLACEMENT REQUEST

PARTS LIST



WARNING:
THE BED SLATS WILL NOT SUPPORT A MATTRESS ALONE, THIS BED REQUIRES A BOX SPRING OR BUNKIE BOARD. SOLD SEPARATELY

3401123P TWIN PANEL BED IRON ORE		
RTG SKU #	STYLE #	ITEM DESCRIPTION
34611233	12D-115	TWIN PANEL HEADBOARD
34711235	12D-116	TWIN PANEL FOOTBOARD
35011232	12D-771	2 PC SIDE RAILS
37011284	100-172	5 PC TWIN SLAT PACK OR
37511284	100-172	5 PC TWIN SLAT PACK
35611234	12D-744	TWIN STORAGE TRUNDLE ADD ON

3401124P TWIN PANEL BED SLATE BLUE		
RTG SKU #	STYLE #	ITEM DESCRIPTION
34611245	12E-115	TWIN PANEL HEADBOARD
34711247	12E-116	TWIN PANEL FOOTBOARD
35011244	12E-771	2 PC SIDE RAILS
37011284	100-172	5 PC TWIN SLAT PACK OR
37511284	100-172	5 PC TWIN SLAT PACK
35611246	12E-744	TWIN STORAGE TRUNDLE ADD ON

3401125P TWIN PANEL BED LIGHT GRAY		
RTG SKU #	STYLE #	ITEM DESCRIPTION
34611257	12G-115	TWIN PANEL HEADBOARD
34711259	12G-116	TWIN PANEL FOOTBOARD
35011256	12G-771	2 PC SIDE RAILS
37011284	100-172	5 PC TWIN SLAT PACK OR
37511284	100-172	5 PC TWIN SLAT PACK
35611258	12G-744	TWIN STORAGE TRUNDLE ADD ON

3401126P TWIN PANEL BED WHITE		
RTG SKU #	STYLE #	ITEM DESCRIPTION
34611269	12W-115	TWIN PANEL HEADBOARD
34711261	12W-116	TWIN PANEL FOOTBOARD
35011268	12W-771	2 PC SIDE RAILS
37011284	100-172	5 PC TWIN SLAT PACK OR
37511284	100-172	5 PC TWIN SLAT PACK
35611260	12W-744	TWIN STORAGE TRUNDLE ADD ON

3401127P TWIN PANEL BED PINK		
RTG SKU #	STYLE #	ITEM DESCRIPTION
34611271	12A-115	TWIN PANEL HEADBOARD
34711273	12A-116	TWIN PANEL FOOTBOARD
35011270	12A-771	2 PC SIDE RAILS
37011284	100-172	5 PC TWIN SLAT PACK OR
37511284	100-172	5 PC TWIN SLAT PACK
35611272	12A-744	TWIN STORAGE TRUNDLE ADD ON

PARTS LIST	QTY	PARTS LIST	QTY
Side rail	2 Pcs	Panel headboard	1 Pc
Slats	5 Pc	Panel footboard	1 Pc
TOOLS NEEDED Phillips screwdriver (not included) 5 mm allen wrench (included) 		Trundle bed (Optional)	

HARDWARE LIST

A

6 x 1 1/4" Screw 10x

100-172 5 PC TWIN SLAT PACK

Hardware pack location

B

5 mm allen wrench 1x

100-771 2 PC SIDE RAILS

Hardware pack location

D

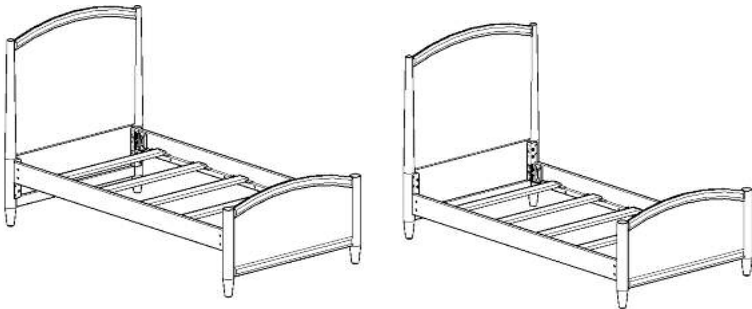
5/16-18x20 mm bolt 8x
Pre-assembled in headboard and footboard

12-115 TWIN PANEL HEADBOARD
12-116 TWIN PANEL FOOTBOARD

Hardware location Installed

ASSEMBLY INSTRUCTIONS

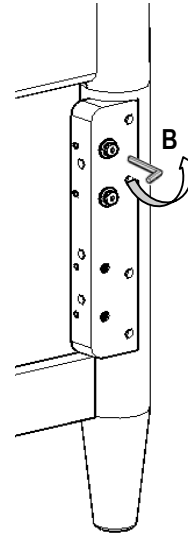
THERE ARE TWO POSSIBLE SETTINGS, HIGH (FACTORY SETTINGS) AND LOW
IF YOU PURCHASE A TRUNDLE BED DO HIGH SETTINGS,
IF NOT DO LOW SETTINGS.



HIGH SETTING STEPS 1-5

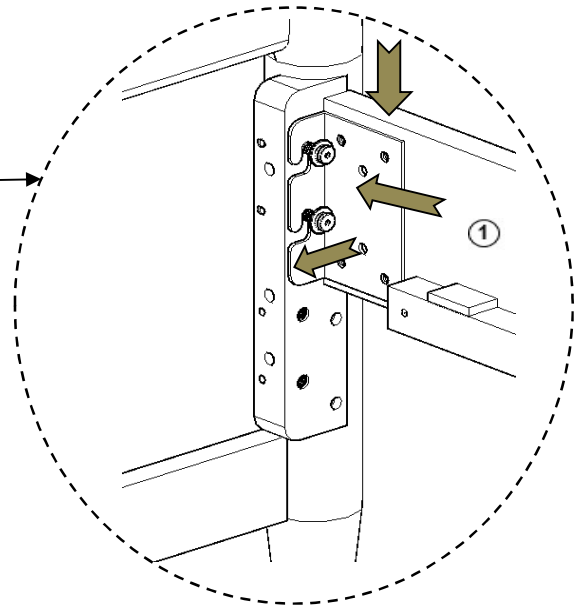
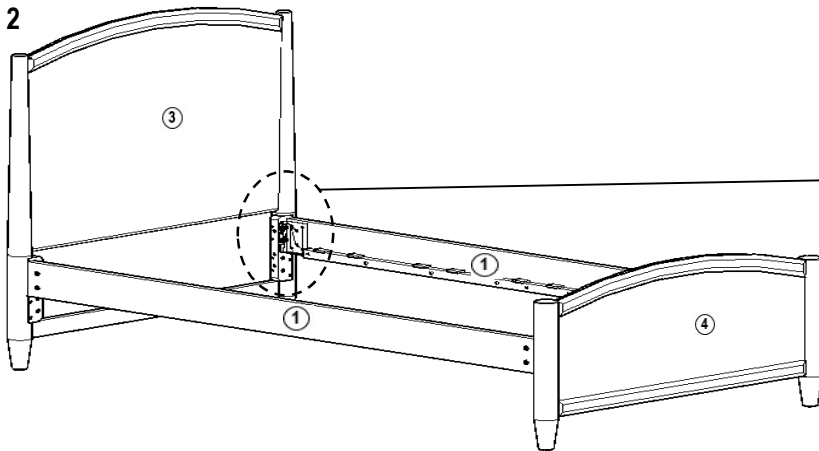
LOW SETTING STEPS 6-9

STEP 1



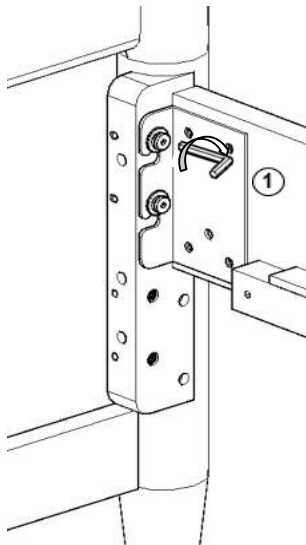
Loosen bolts in headboard & footboard posts (1/2" approx.)
Do not remove, BOLTS ARE PRE-ASSEMBLED.

STEP 2



Assemble side rails.

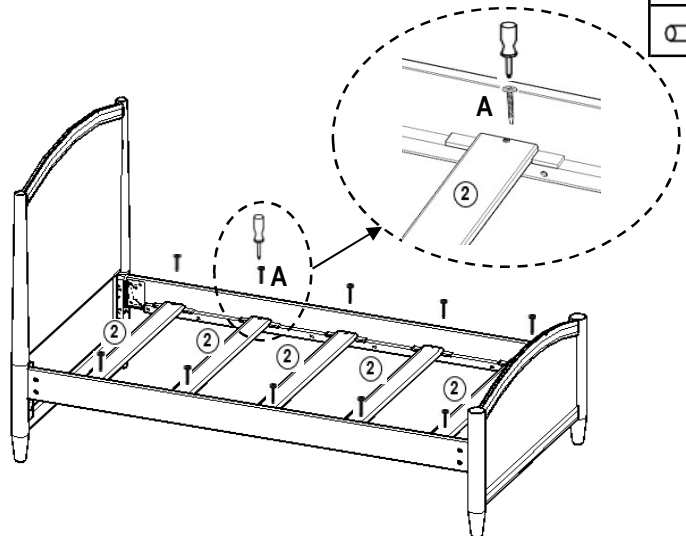
STEP 3



tighten all bolts

MAKE SURE ALL BOLTS ARE TIGHTENED COMPLETELY

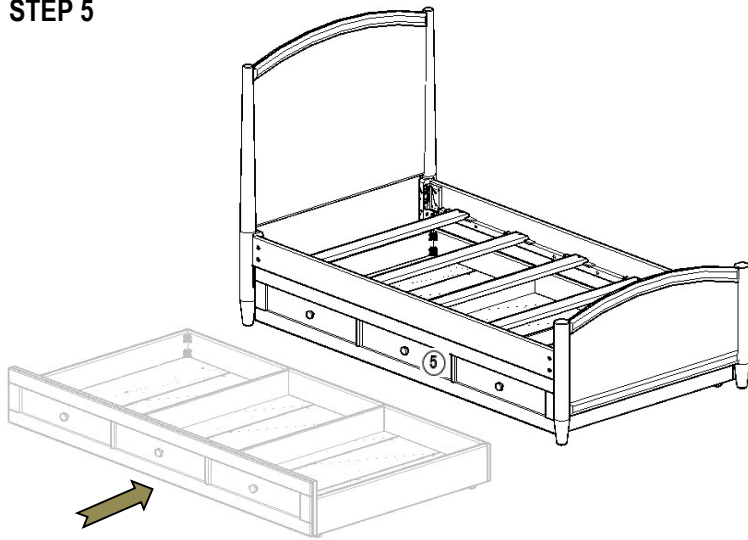
STEP 4



Install slats, one on each space between the small blocks,
then fasten with 1 1/4" screws.

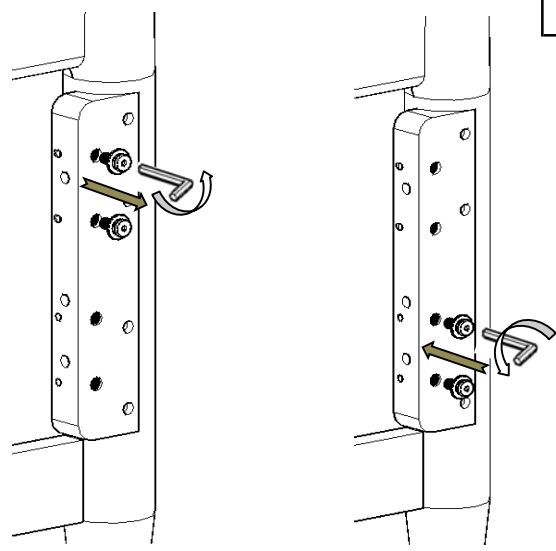
ASSEMBLY INSTRUCTIONS

STEP 5



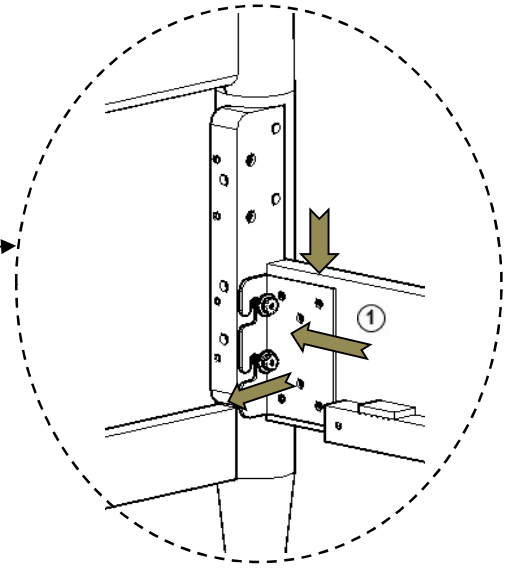
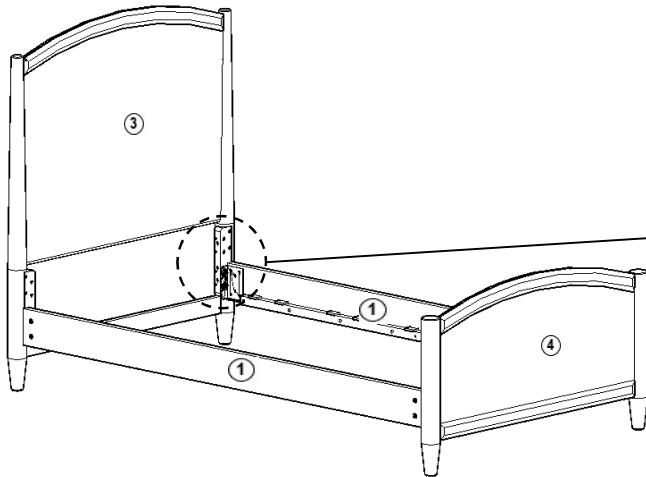
For optional Trundle bed follow assembly instructions inside Trundle bed box, then slide under the bed as shown.

STEP 6



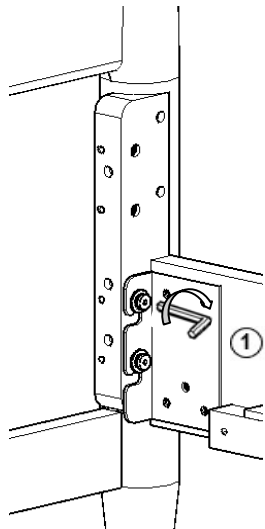
Remove bolts from top setting then install in lower setting, do not tighten allow 1/2" space between post and bolt head, repeat for all posts

STEP 7



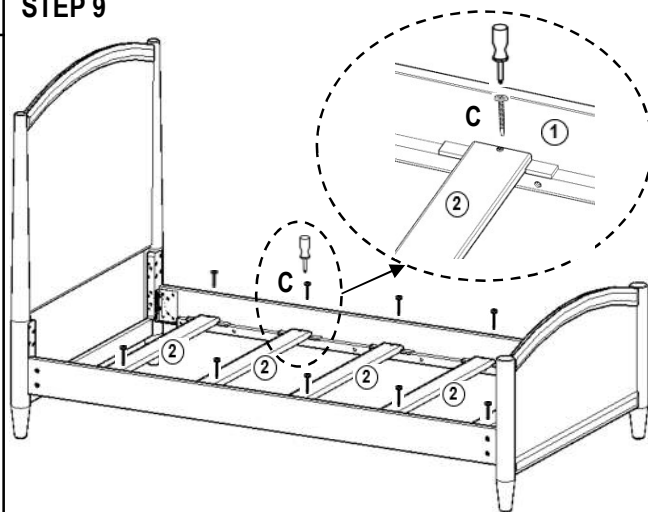
Assemble side rails.

STEP 8



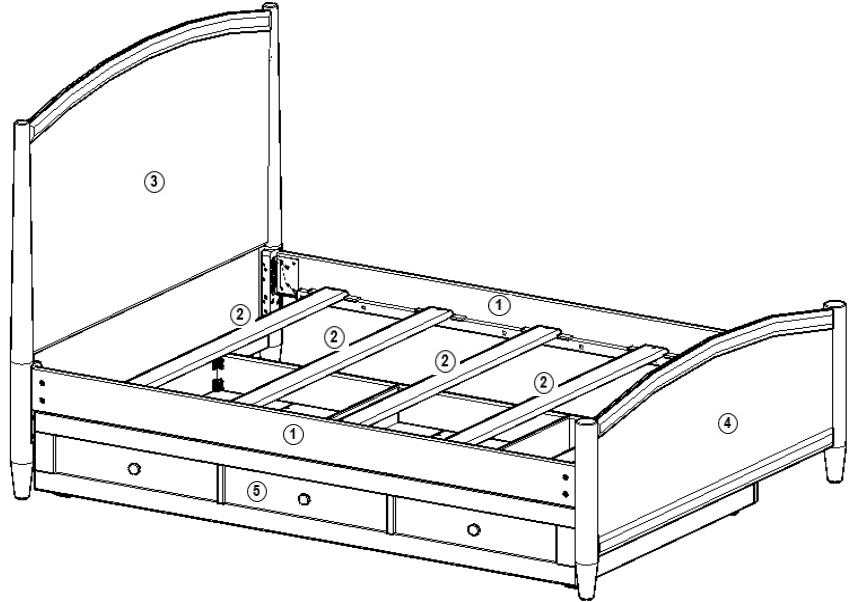
tighten all bolts
MAKE SURE ALL BOLTS ARE TIGHTENED COMPLETELY

STEP 9



Install slats, one on each space between the small blocks, then fasten with 1 1/4" screws.

PARTS LIST



WARNING:
THE BED SLATS WILL NOT SUPPORT A MATTRESS ALONE, THIS BED REQUIRES A BOX SPRING OR BUNKIE BOARD. SOLD SEPARATELY

3421123P FULL PANEL BED IRON ORE		
RTG SKU #	STYLE #	ITEM DESCRIPTION
34811237	12D-117	FULL PANEL HEADBOARD
34911239	12D-118	FULL PANEL FOOTBOARD
35011232	12D-771	2 PC SIDE RAILS
37111286	100-173	5 PC FULL SLAT PACK
37611286	100-173	5 PC FULL SLAT PACK
35611234	12D-744	TWIN STORAGE TRUNDLE ADD ON

3421124P FULL PANEL BED SLATE BLUE		
RTG SKU #	STYLE #	ITEM DESCRIPTION
34811249	12E-117	FULL PANEL HEADBOARD
34911241	12E-118	FULL PANEL FOOTBOARD
35011244	12E-771	2 PC SIDE RAILS
37111286	100-173	5 PC FULL SLAT PACK
37611286	100-173	5 PC FULL SLAT PACK
35611246	12E-744	TWIN STORAGE TRUNDLE ADD ON

3421125P FULL PANEL BED LIGHT GRAY		
RTG SKU #	STYLE #	ITEM DESCRIPTION
34811251	12G-117	FULL PANEL HEADBOARD
34911253	12G-118	FULL PANEL FOOTBOARD
35011256	12G-771	2 PC SIDE RAILS
37111286	100-173	5 PC FULL SLAT PACK
37611286	100-173	5 PC FULL SLAT PACK
35611258	12G-744	TWIN STORAGE TRUNDLE ADD ON

3421126P FULL PANEL BED WHITE		
RTG SKU #	STYLE #	ITEM DESCRIPTION
34811237	12W-117	FULL PANEL HEADBOARD
34911239	12W-118	FULL PANEL FOOTBOARD
35011268	12W-771	2 PC SIDE RAILS
37111286	100-173	5 PC FULL SLAT PACK
37611286	100-173	5 PC FULL SLAT PACK
35611260	12W-744	TWIN STORAGE TRUNDLE ADD ON

3421127P FULL PANEL BED PINK		
RTG SKU #	STYLE #	ITEM DESCRIPTION
34811275	12A-117	FULL PANEL HEADBOARD
34911277	12A-118	FULL PANEL FOOTBOARD
35011270	12A-771	2 PC SIDE RAILS
37111286	100-173	5 PC FULL SLAT PACK
37611286	100-173	5 PC FULL SLAT PACK
35611272	12A-744	TWIN STORAGE TRUNDLE ADD ON

PARTS LIST	QTY	PARTS LIST	QTY
Side rail	2 Pcs	Panel headboard	1 Pc
Slats	5 Pc	Panel footboard	1 Pc
TOOLS NEEDED Phillips screwdriver (not included) 5 mm allen wrench (included) 		Trundle bed (Optional)	

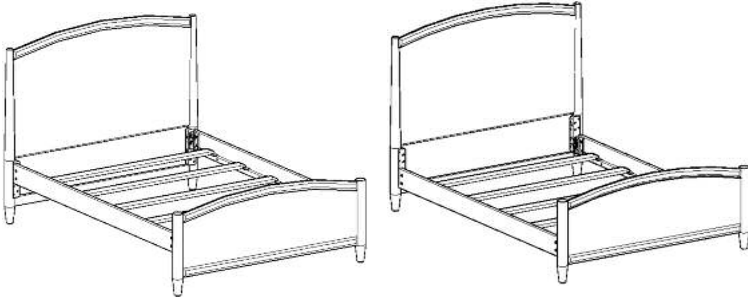
HARDWARE LIST

A 6 x 1 1/4" Screw 10x	100-173 5 PC FULL SLAT PACK Hardware pack location
B 5 mm allen wrench 1x	100-771 2 PC SIDE RAILS Hardware pack location

D 5/16-18x20 mm bolt 8x Pre-assembled in headboard and footboard	12-117 FULL PANEL HEADBOARD 12-118 FULL PANEL FOOTBOARD Hardware location Installed
---	---

ASSEMBLY INSTRUCTIONS

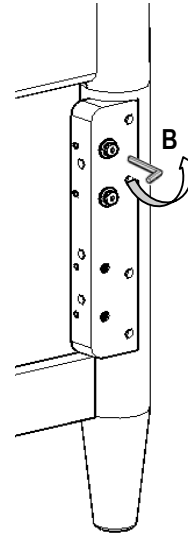
THERE ARE TWO POSSIBLE SETTINGS, HIGH (FACTORY SETTINGS) AND LOW
IF YOU PURCHASE A TRUNDLE BED DO HIGH SETTINGS,
IF NOT DO LOW SETTINGS.



HIGH SETTING STEPS 1-5

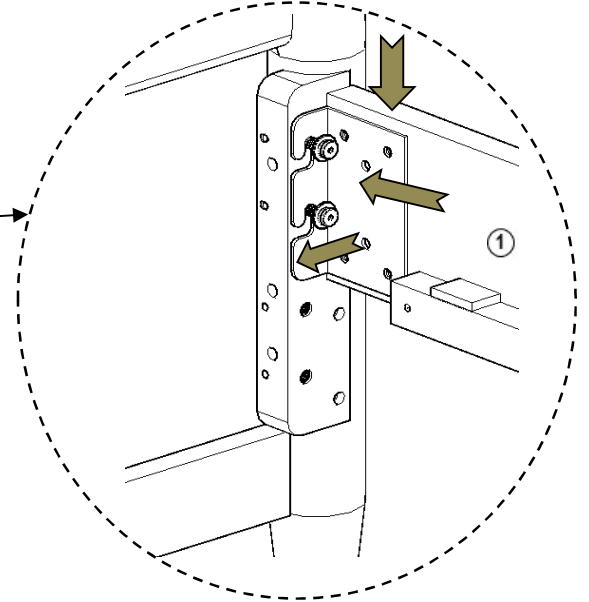
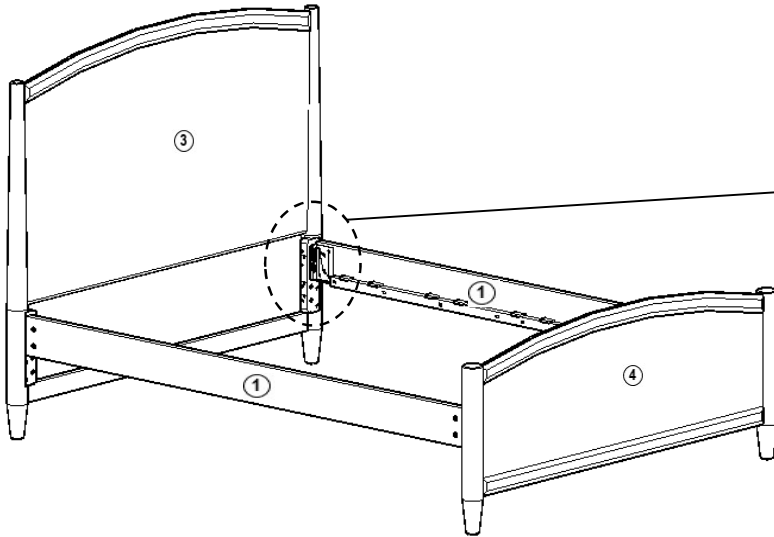
LOW SETTING STEPS 6-9

STEP 1



Loosen bolts in headboard & footboard posts (1/2" approx.)
Do not remove, BOLTS ARE PRE-ASSEMBLED.

STEP 2



Assemble side rails.

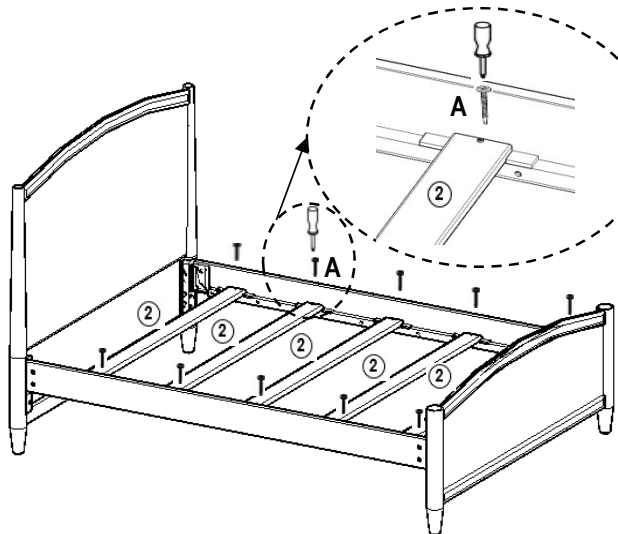
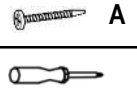
STEP 3



tighten all bolts

MAKE SURE ALL BOLTS ARE TIGHTENED COMPLETELY

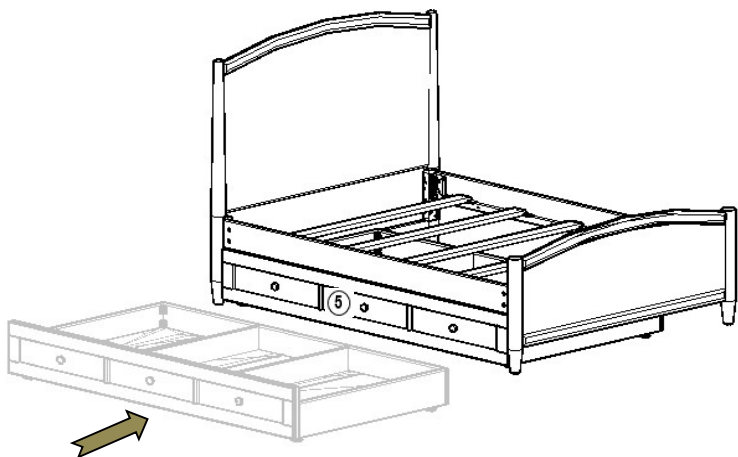
STEP 4



Install slats, one on each space between the small blocks,
then fasten with 1 1/4" screws.

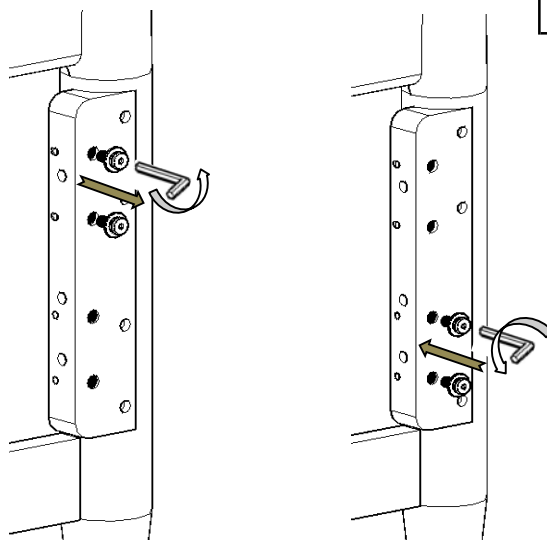
ASSEMBLY INSTRUCTIONS

STEP 5



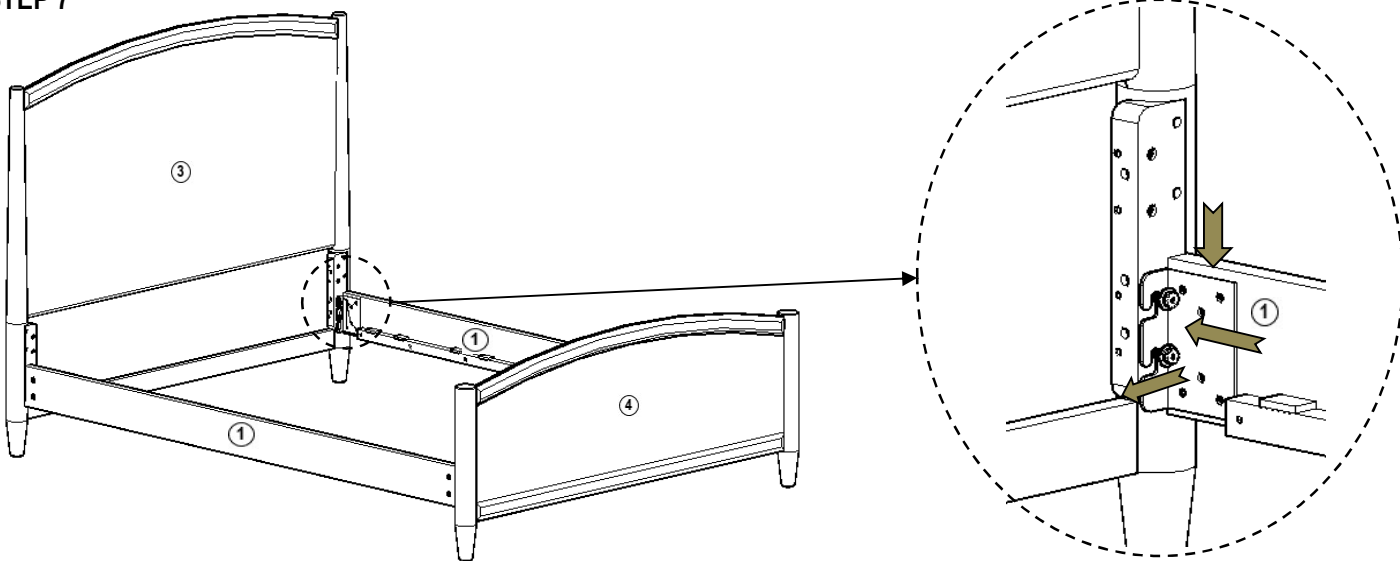
For optional Trundle bed follow assembly instructions inside Trundle bed box, then slide under the bed as shown.

STEP 6



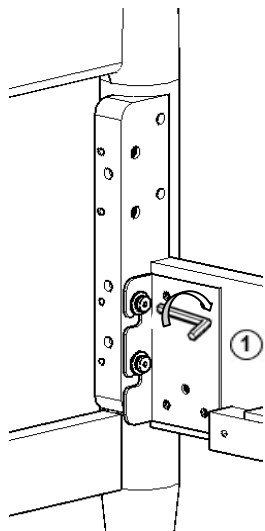
Remove bolts from top setting then install in lower setting, do not tighten allow 1/2" space between post and bolt head, repeat for all posts

STEP 7



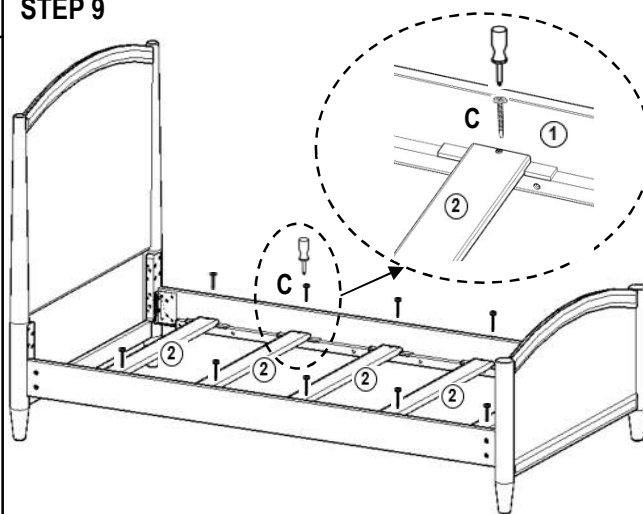
Assemble side rails.

STEP 8



tighten all bolts
MAKE SURE ALL BOLTS ARE TIGHTENED COMPLETELY

STEP 9



Install slats, one on each space between the small blocks, then fasten with 1 1/4" screws.