

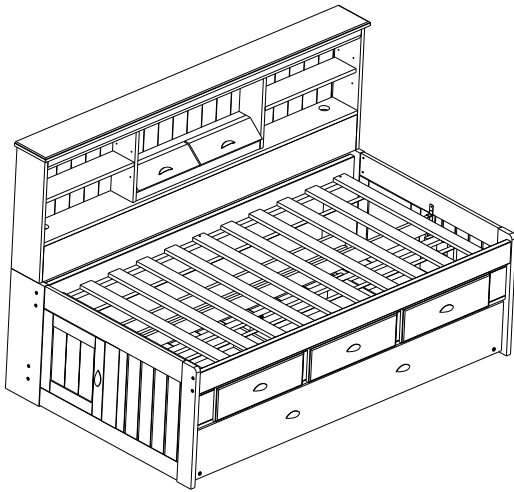


ASSEMBLY INSTRUCTIONS

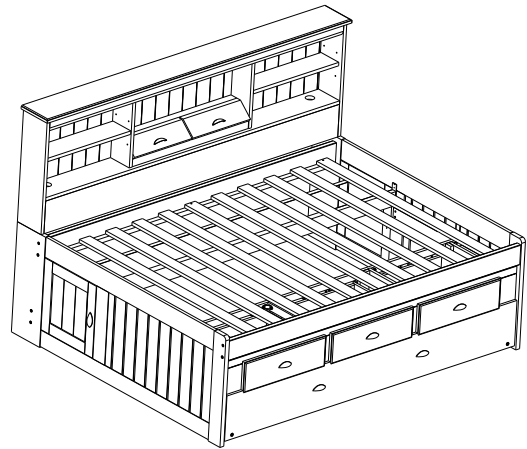
"Driftwood Collection"


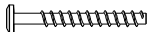




"Bookcase Daybed"

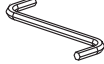




4122R / 4222R / 4822R (Twin)
Sand Gray Chestnut



4123R / 4223R / 4823R (Full)
Sand Gray Chestnut



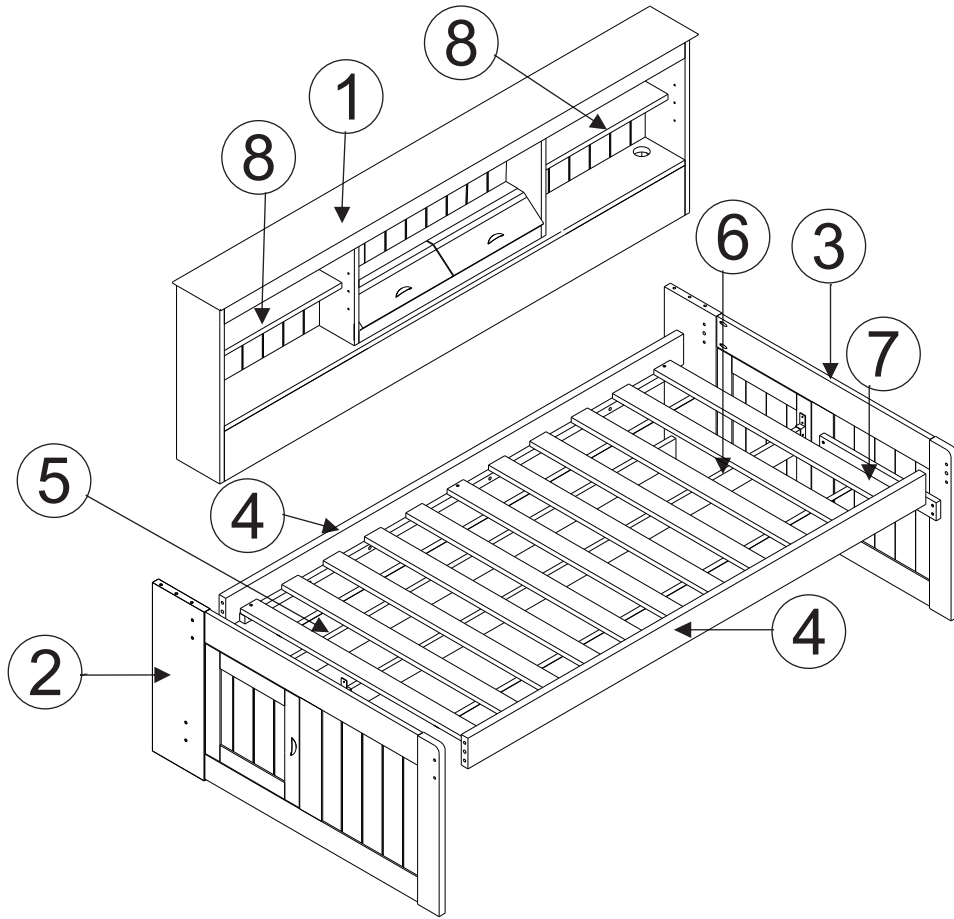
A	 1/4"x 2 3/4"	08
B	 2 1/2"	04
C	 1/2"	12
D	 1 1/2" x 8mm	06
E	 1 1/2" x 10mm	06
F		02

G		01
I	 1 1/4"	06
J		08
L		02
M	 Φ5/32"1"	04

Replacement Parts & Limited Lifetime Warranty

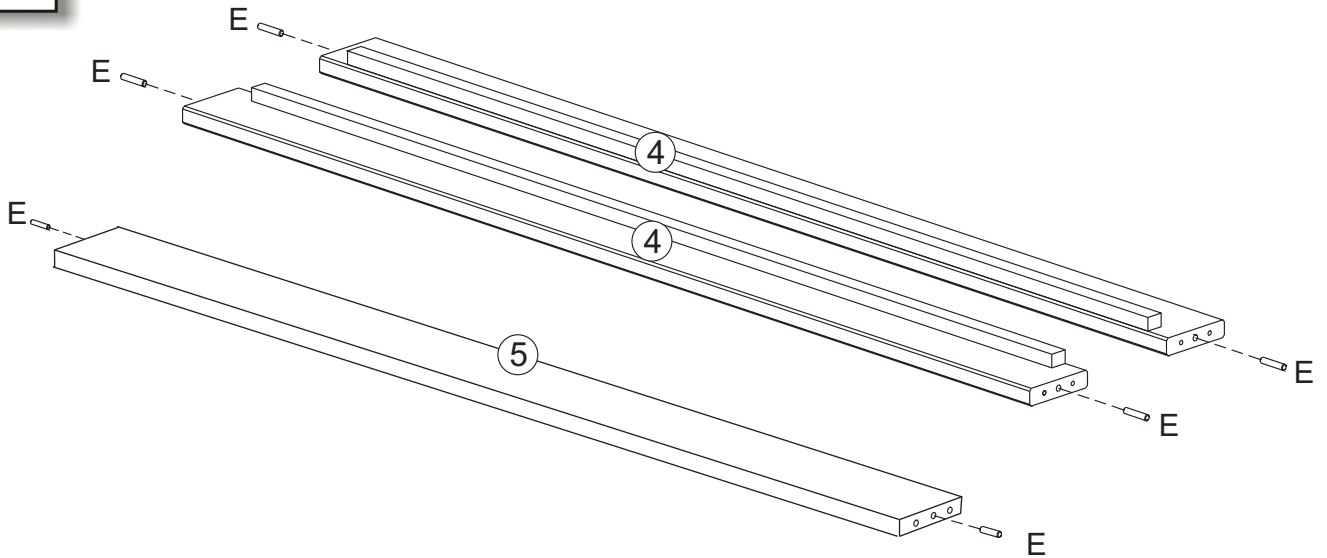
Discovery World Furniture will replace any component part free of charge for 1 full year via UPS freight collect. In addition, Discovery World Furniture will replace any component part for 50% of the then prevailing retail price plus freight for the lifetime of the product, unless the product has been discontinued from our line. For service, mail your request to: Discovery World Furniture 915 Cornwall Rd, Sanford, FL 32773. Website www.discoveryworldfurniture.com

Parts List

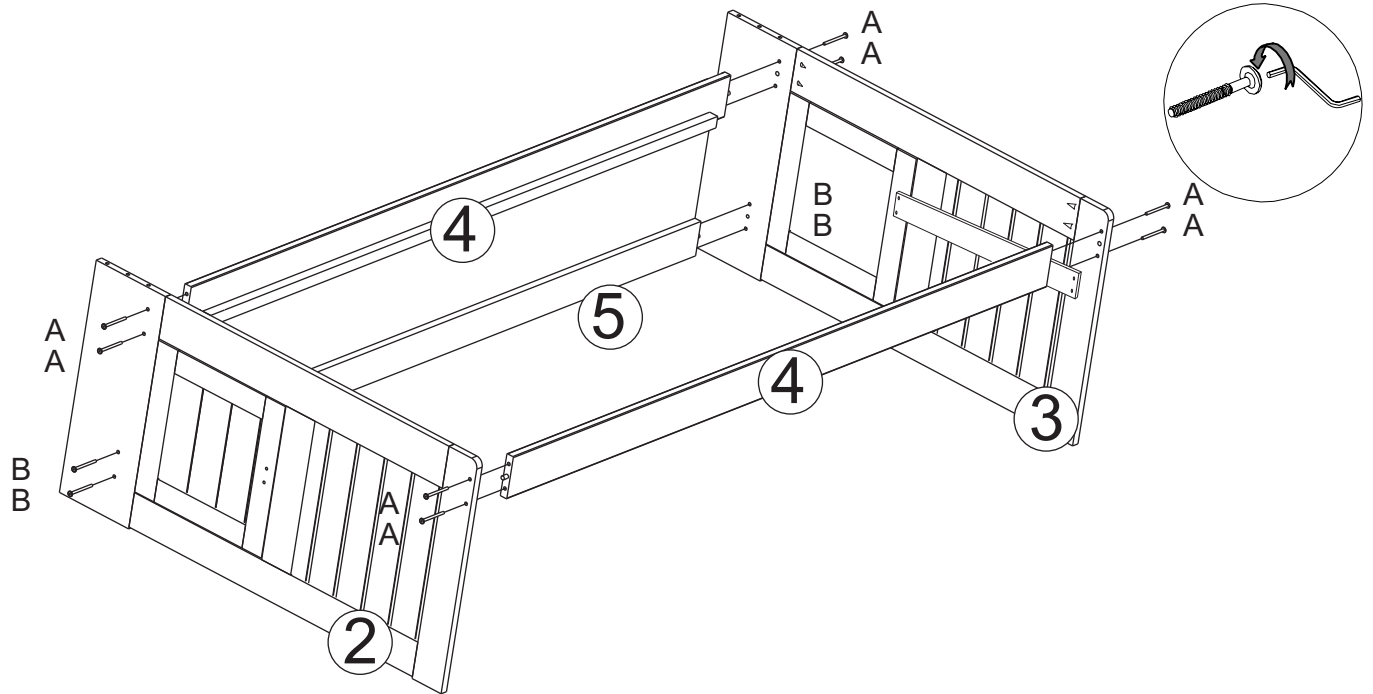


5 Back support

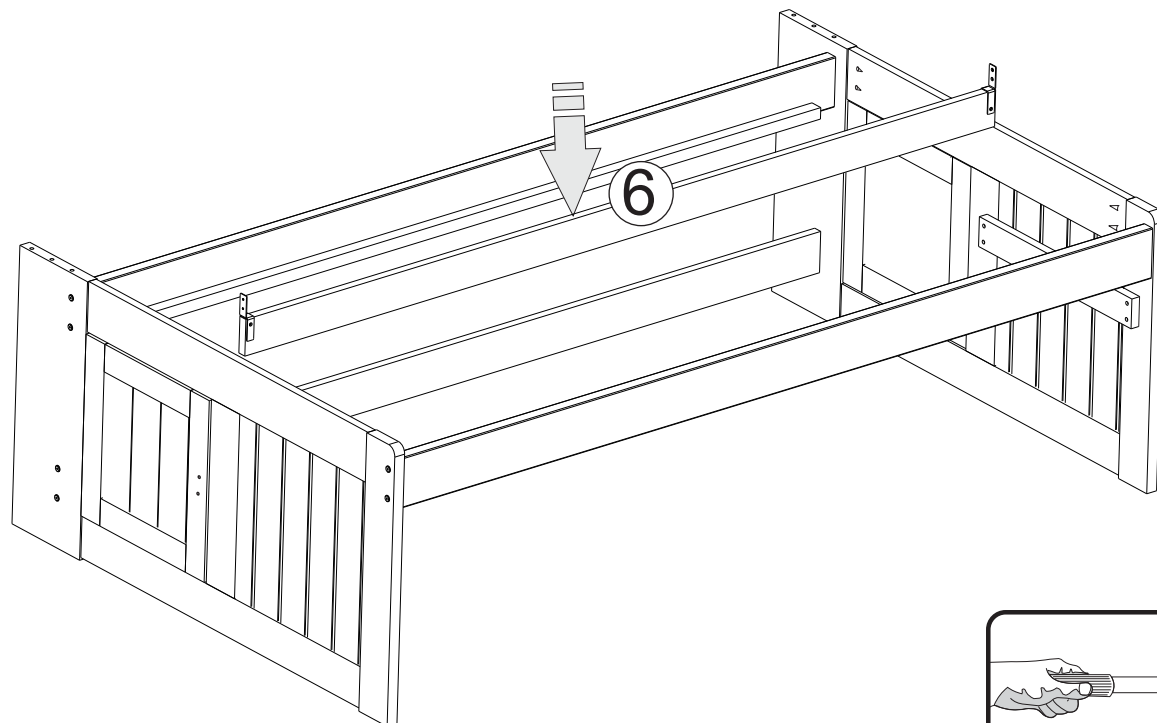
01



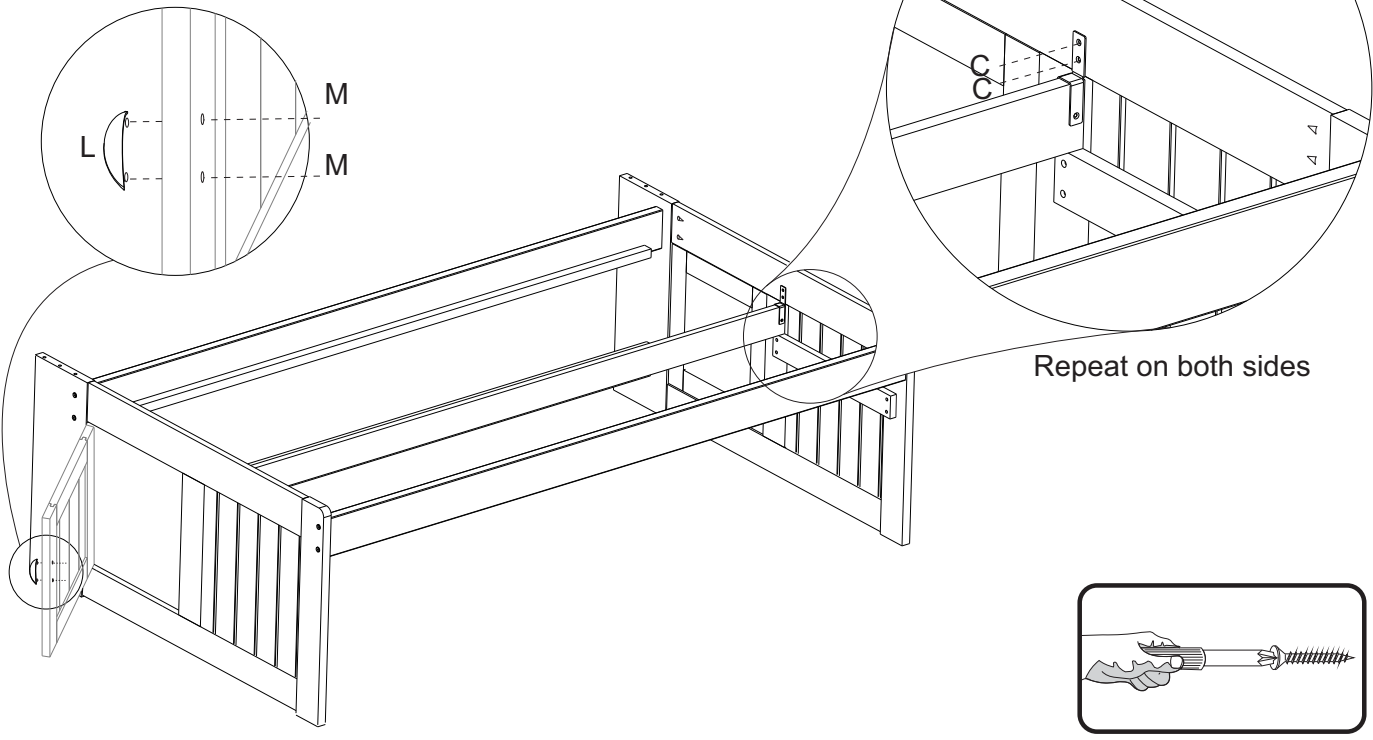
02



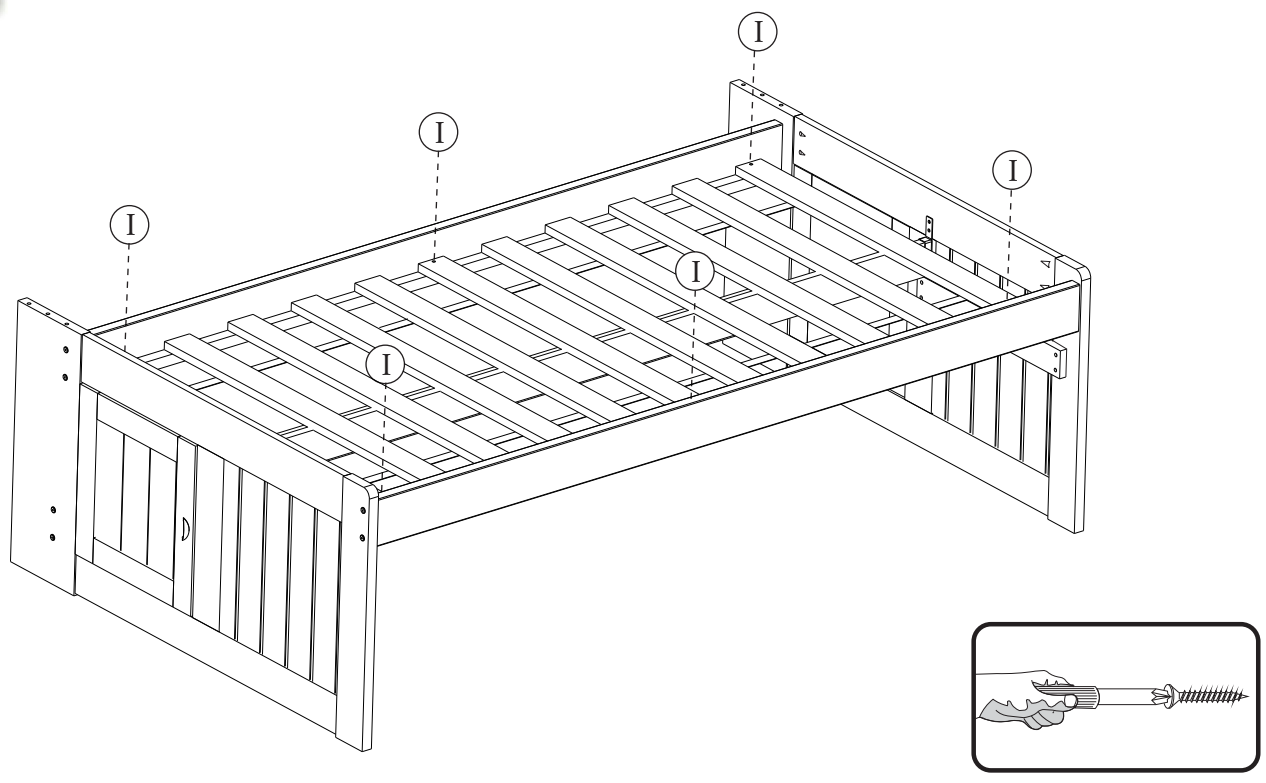
03



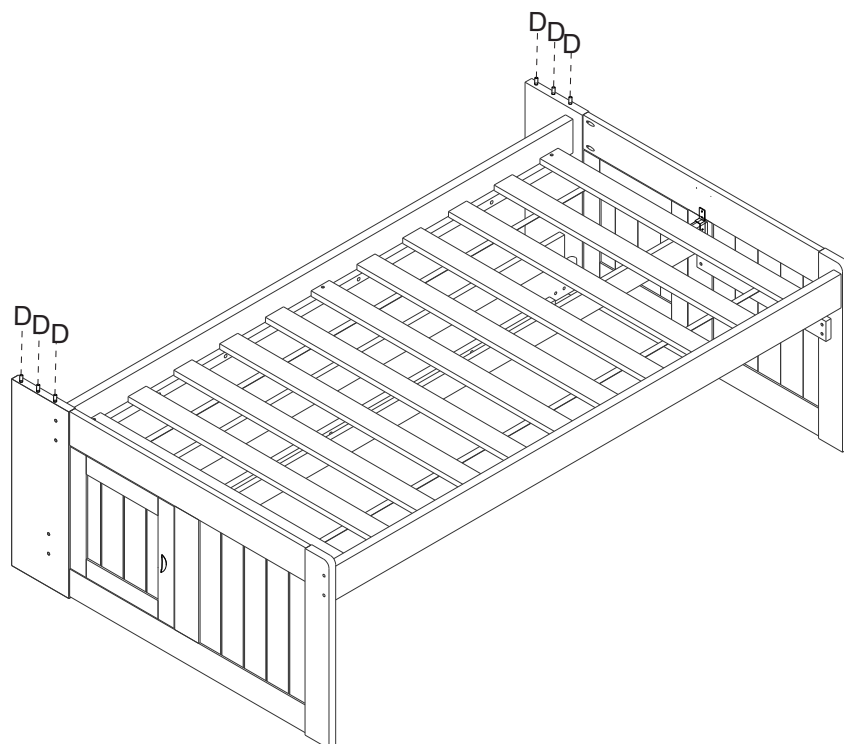
04



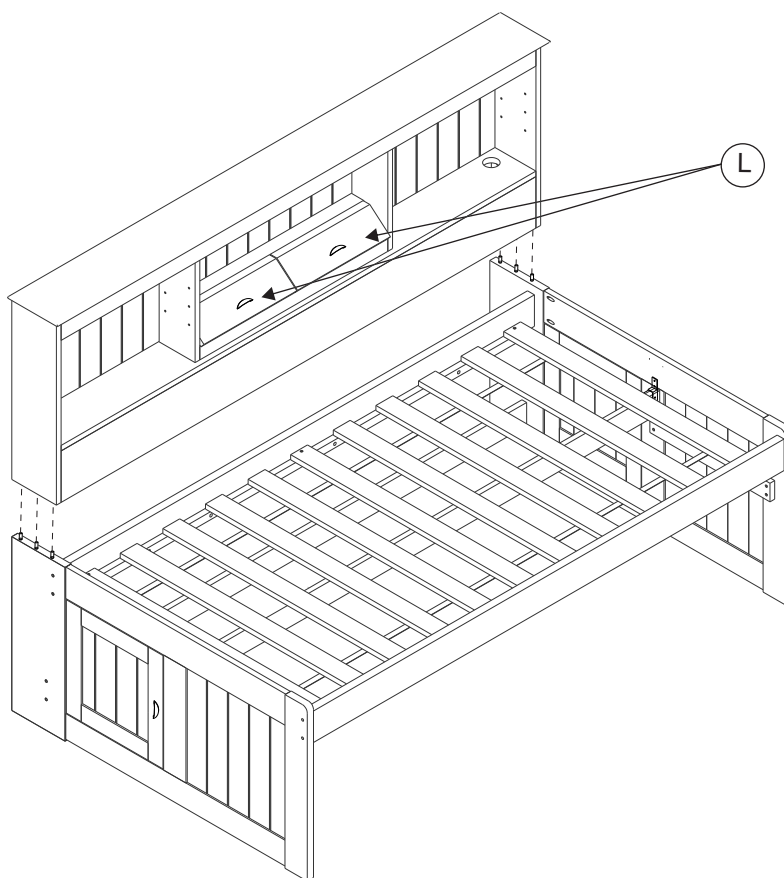
05



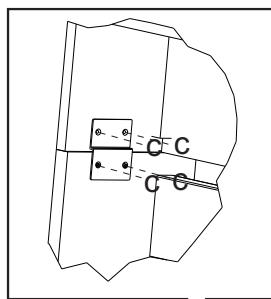
06



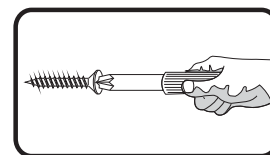
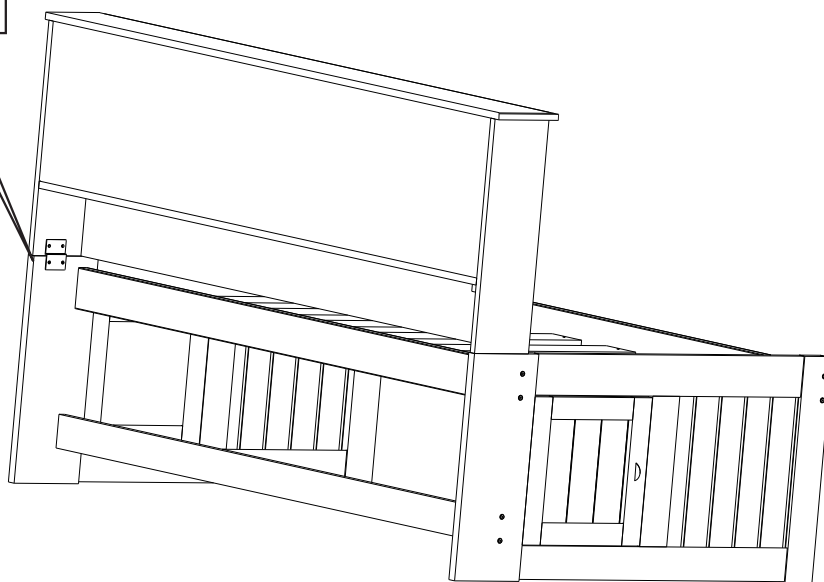
07



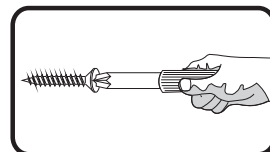
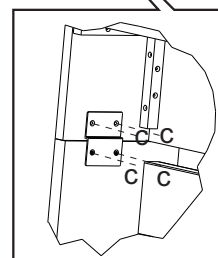
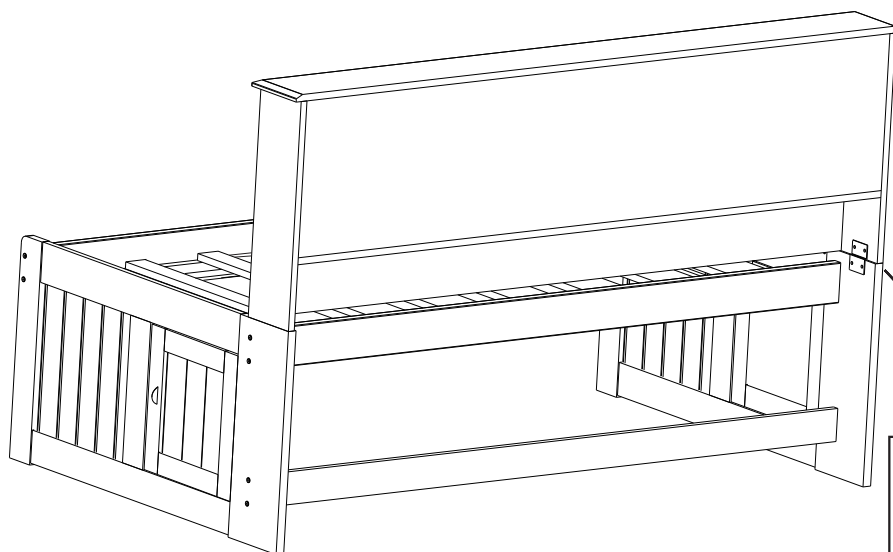
08



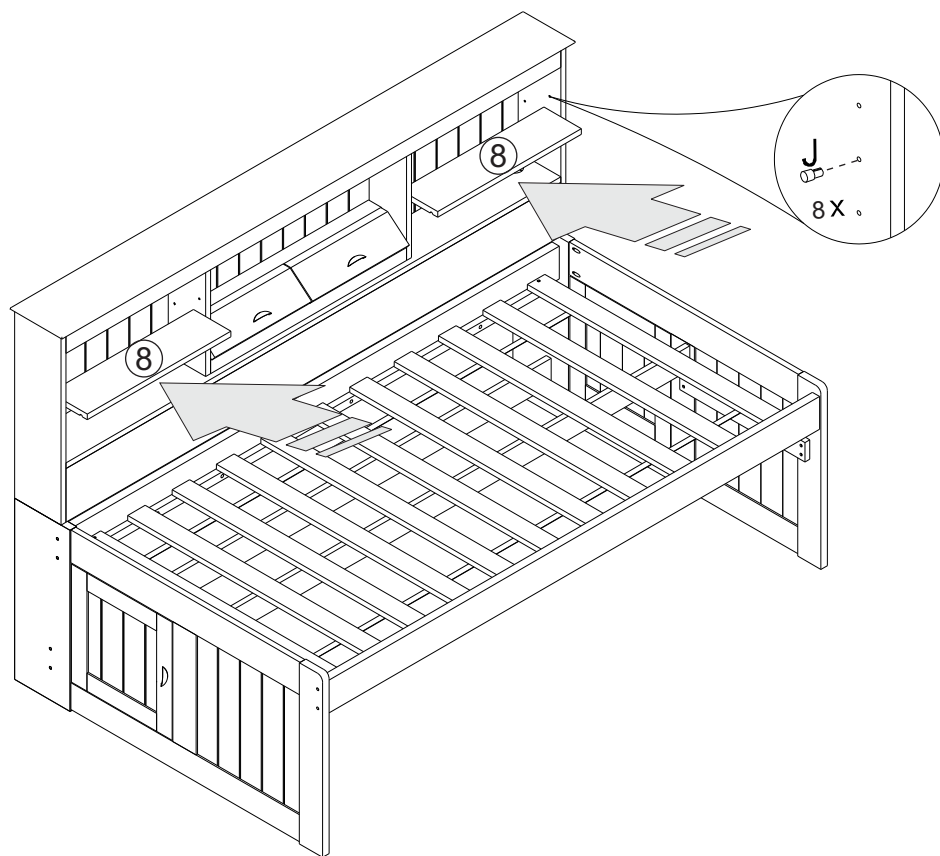
2X



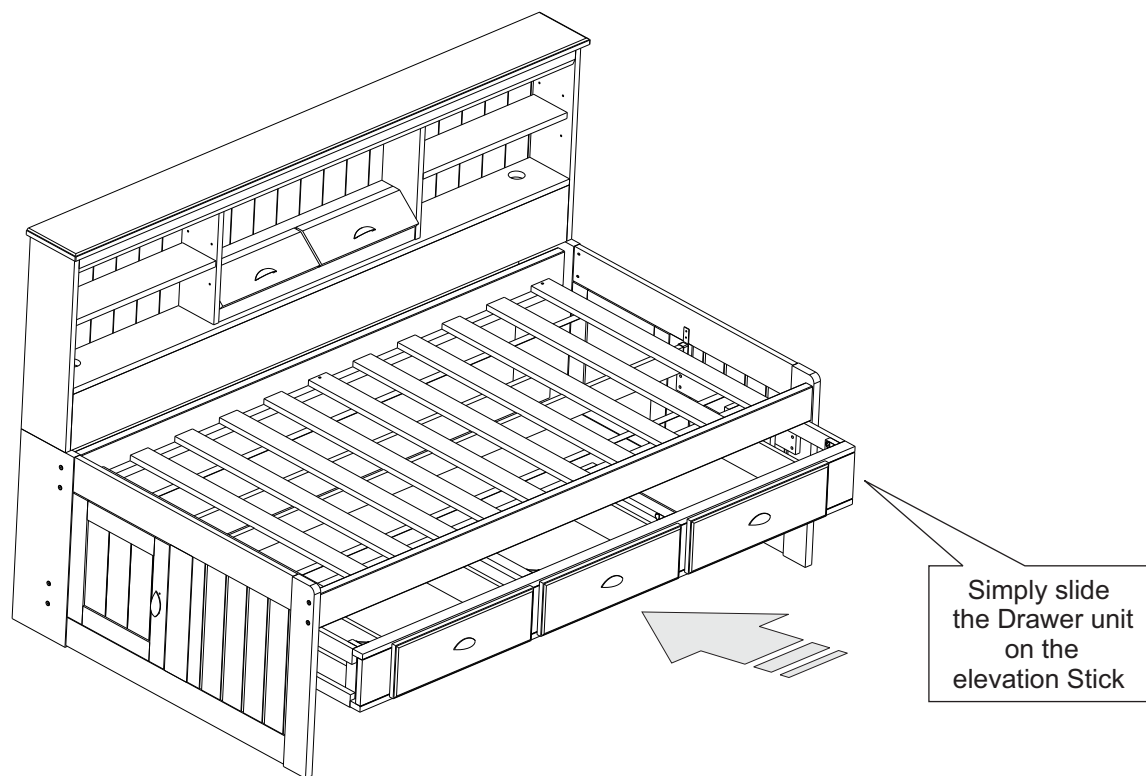
09



10

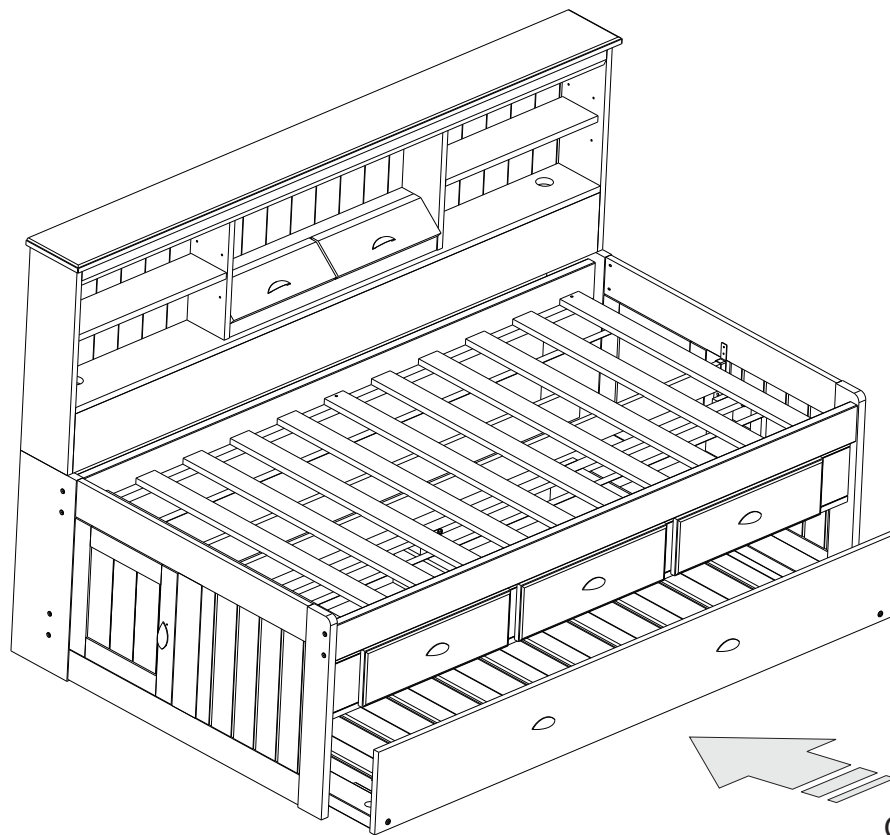


11



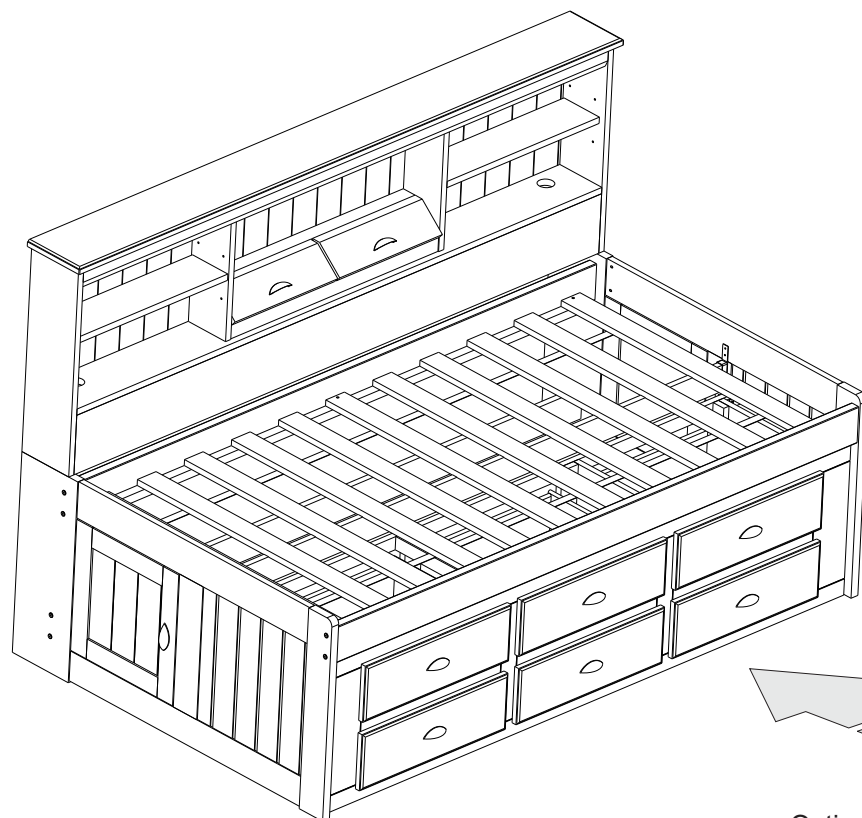
Optional 3Drawer Unit

12



Optional Trundle

13



Optional 6 Drawer Unit