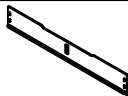
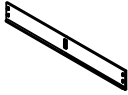
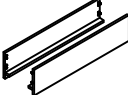
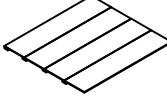



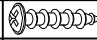
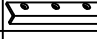



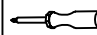
ASSEMBLY INSTRUCTION SKETCH

INRM -35744007- #400 - 810 TRUNDLE

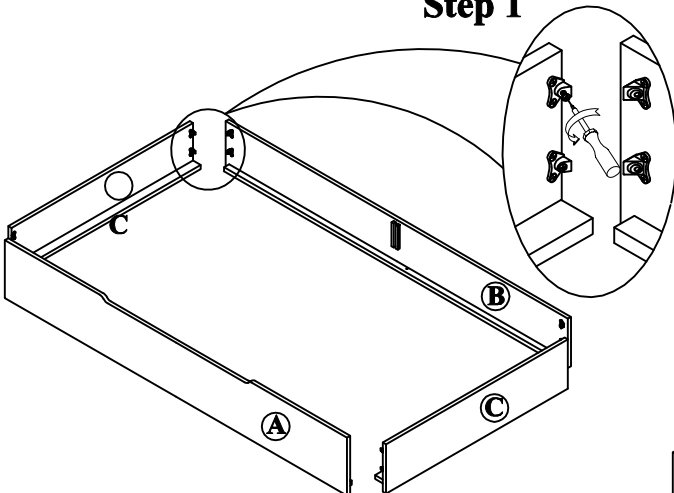
Thank you for purchasing this quality product . Be sure to check all packing material carefully for small parts which may have come loose inside the carton during shipment .Identify and count all parts and compare with the parts list below .

PARTS LIST			QTY
A	Front Panel		1pc
B	Back Panel		1pc
C	Side Panel		2pcs
D	Bottom Panel		2pcs
E	Partition		1pc

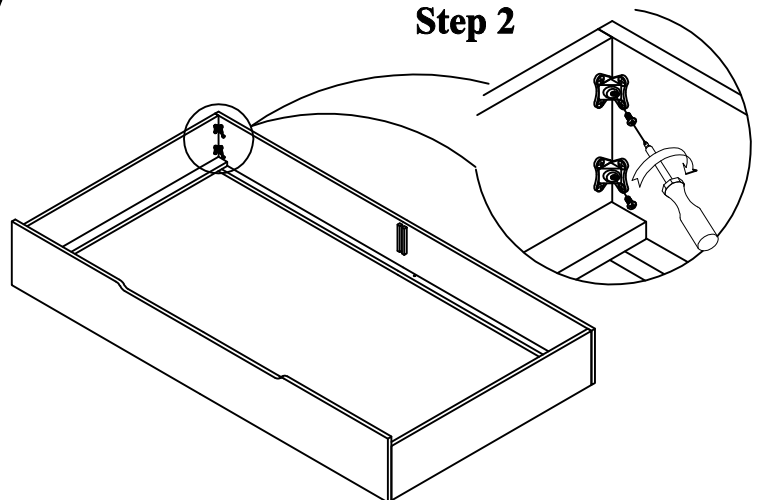
HARDWARE LIST			QTY
1		φ8"x5/8" Screw	06pcs
2		"L" Plastic plate	2pcs
3		Steel Rod	1pc

HARDWARE REQUIRED			QTY
5		Screwdriver (Not Provided)	1pc

Step 1



Step 2

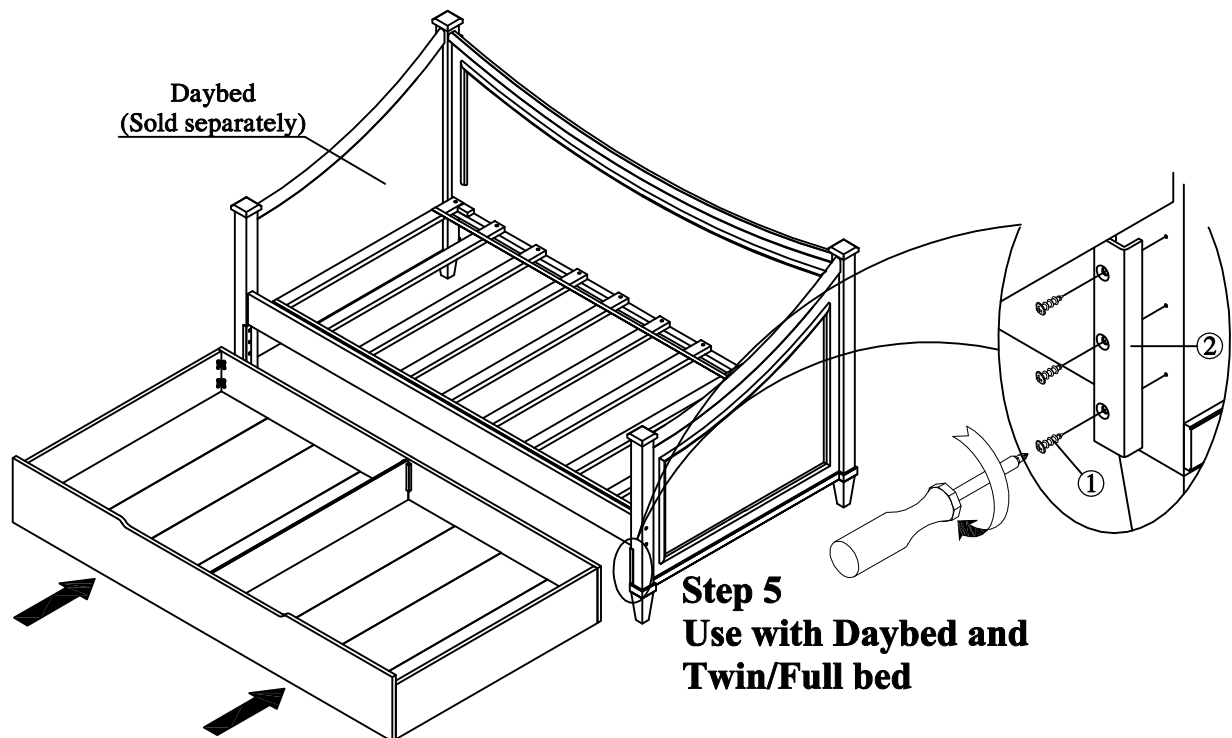
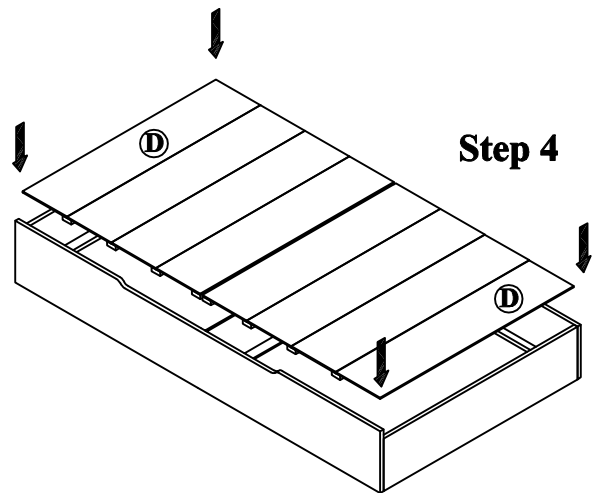
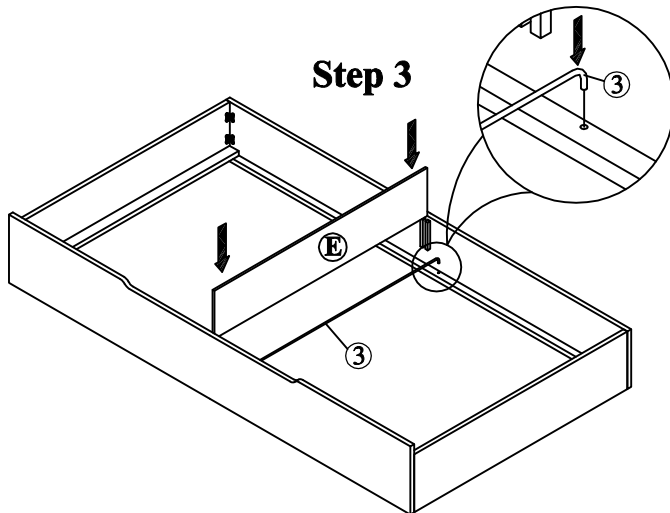




ASSEMBLY INSTRUCTION SKETCH

INRM -35744007- #400 - 810 TRUNDLE

Thank you for purchasing this quality product . Be sure to check all packing material carefully for small parts which may have come loose inside the carton during shipment .Identify and count all parts and compare with the parts list below .



Daybed
(Sold separately)

Step 5
Use with Daybed and
Twin/Full bed