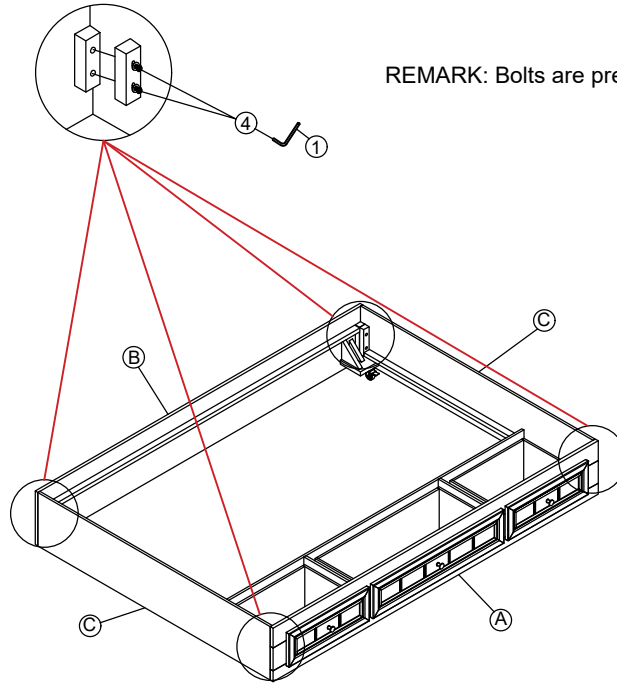


Thank you for purchasing this quality product. Be sure to check all packing material carefully for small parts which may have come loose inside the carton during shipment. Identify and count all parts and compare with the parts list below. Read all instructions before assembling bed and keep these instruction for future reference.

Assembly Instructions:

STEP 1

Attach Front Cases(A), Back Panel(B) to the Side Panel(C): Loosen pre-assembled bolts from the Side Panel(C) to secure. Tighten bolts using Allen Key(1) provided.

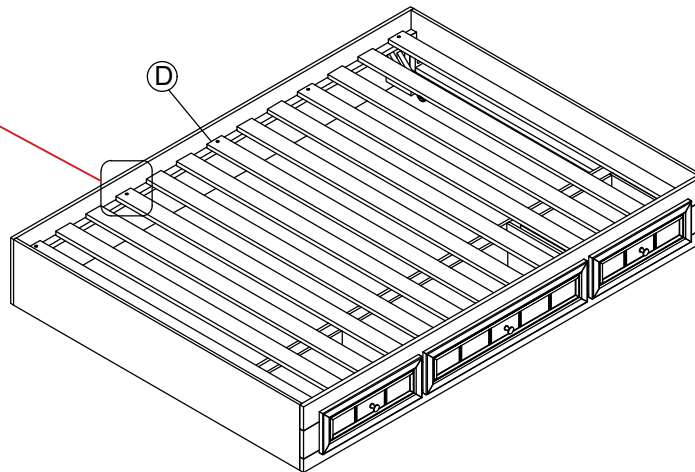
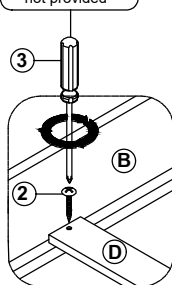


REMARK: Bolts are pre-assembled

STEP 2

not provided

Attach Slat Roll(D) to Platform bed: Tighten the screws with a Philips Screwdriver (Not provided) by screwing the screws into place.



DO NOT USE SUBSTITUTE PARTS. PLEASE CONTACT YOUR RETAIL STORE OR WWW.ROOMSTOGO.COM WITH SERVICE OR PARTS REPLACEMENT REQUEST.

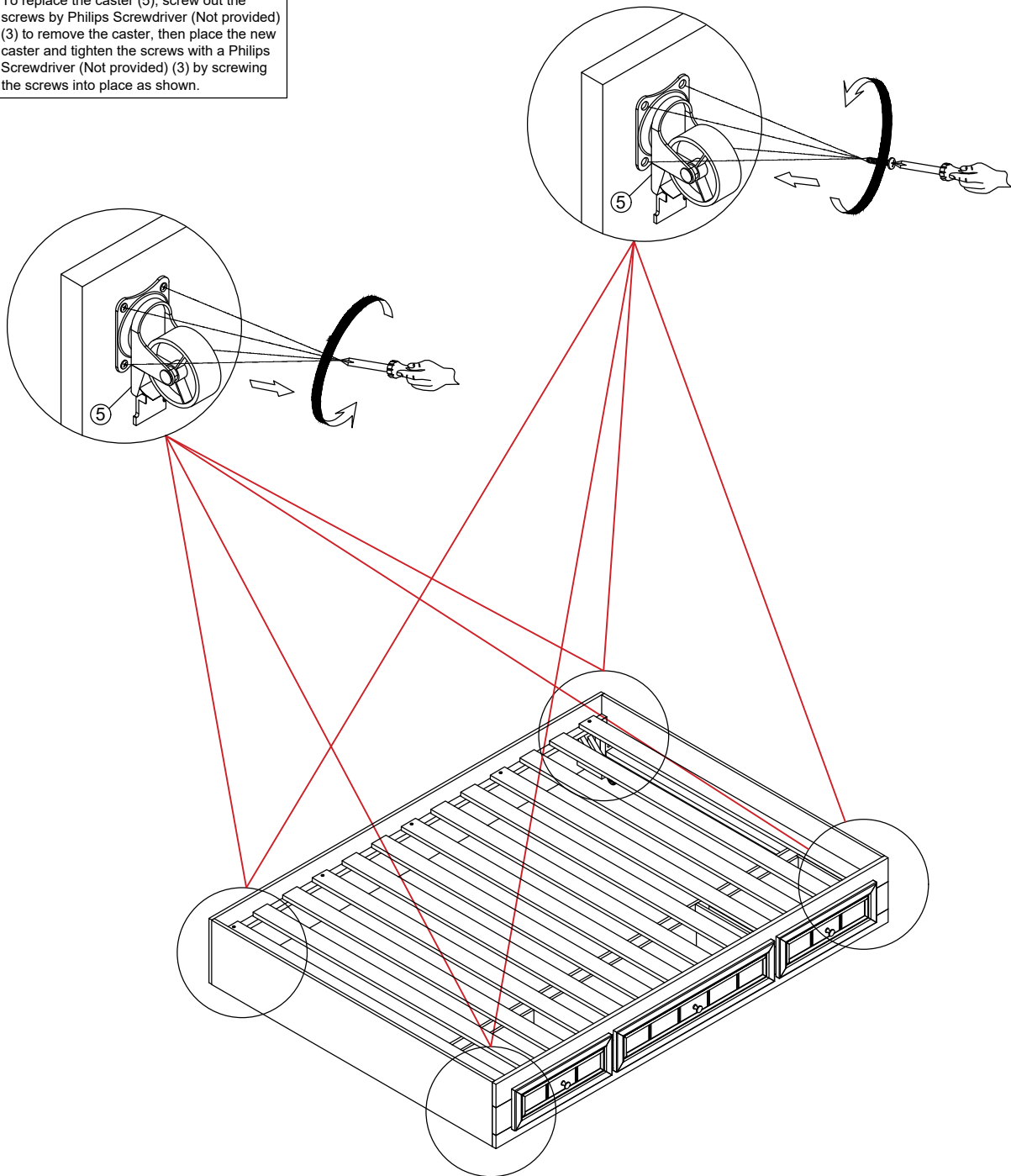
This product is manufactured by (JSFC) for **ROOMS TO GO® | KIDS**

Thank you for purchasing this quality product. Be sure to check all packing material carefully for small parts which may have come loose inside the carton during shipment. Identify and count all parts and compare with the parts list below. Read all instructions before assembling bed and keep these instruction for future reference.

Assembly Instructions:

STEP 3

To replace the caster (5), screw out the screws by Philips Screwdriver (Not provided) (3) to remove the caster, then place the new caster and tighten the screws with a Philips Screwdriver (Not provided) (3) by screwing the screws into place as shown.



DO NOT USE SUBSTITUTE PARTS. PLEASE CONTACT YOUR RETAIL STORE OR WWW.ROOMSTOGO.COM WITH SERVICE OR PARTS REPLACEMENT REQUEST.

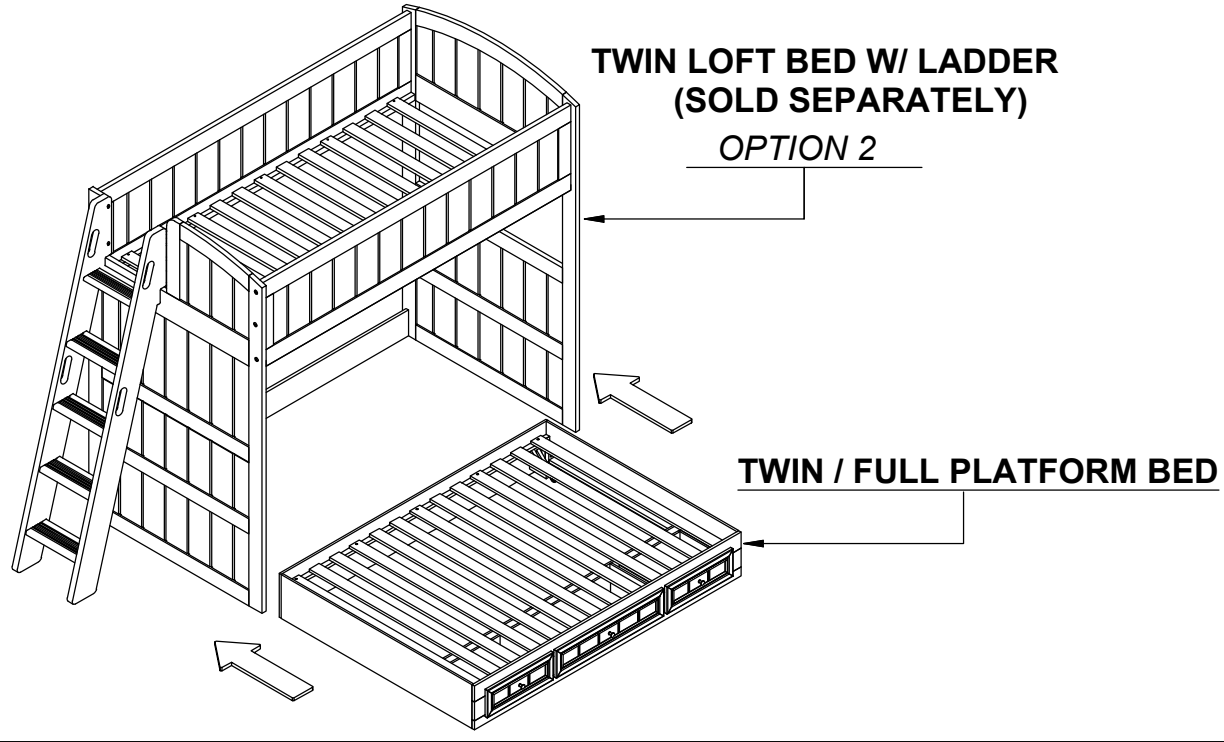
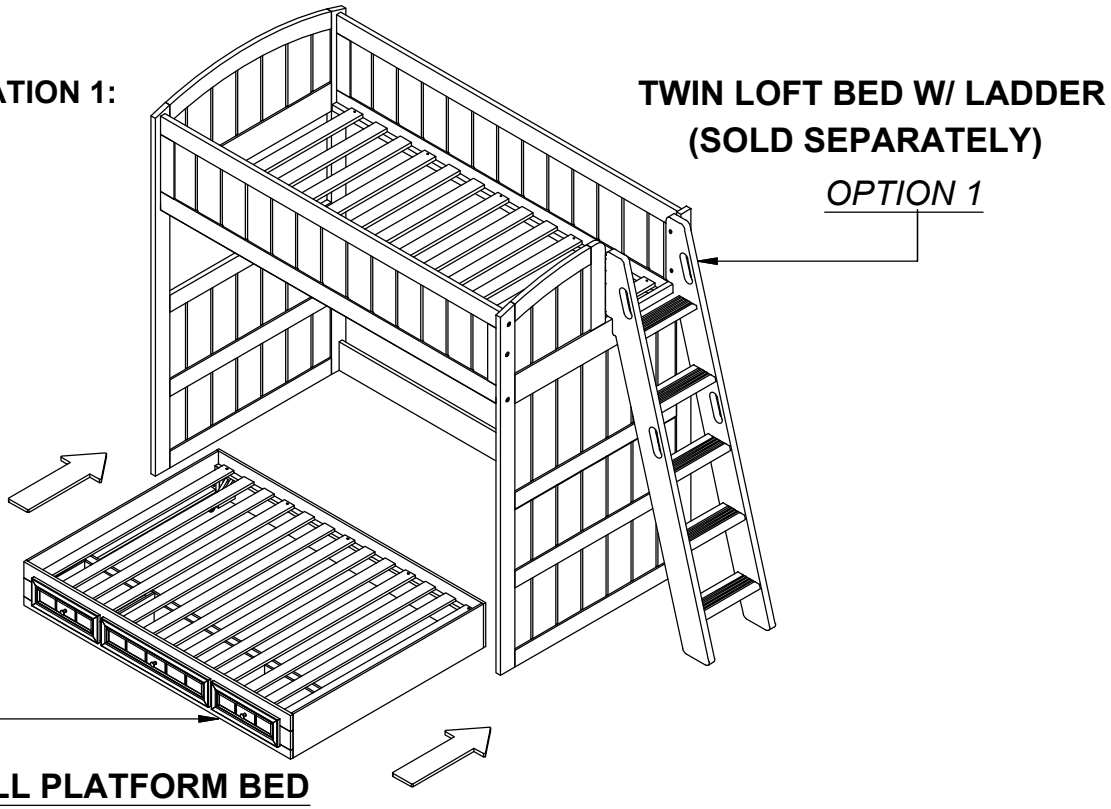
This product is manufactured by (JSFC) for **ROOMS TO GO® | KIDS**

Thank you for purchasing this quality product. Be sure to check all packing material carefully for small parts which may have come loose inside the carton during shipment. Identify and count all parts and compare with the parts list below. Read all instructions before assembling bed and keep these instruction for future reference.

Assembly Instructions:

STEP 5

CONFIGURATION 1:



DO NOT USE SUBSTITUTE PARTS. PLEASE CONTACT YOUR RETAIL STORE OR WWW.ROOMSTOGO.COM WITH SERVICE OR PARTS REPLACEMENT REQUEST.

This product is manufactured by (JSFC) for **ROOMS TO GO® | KIDS**

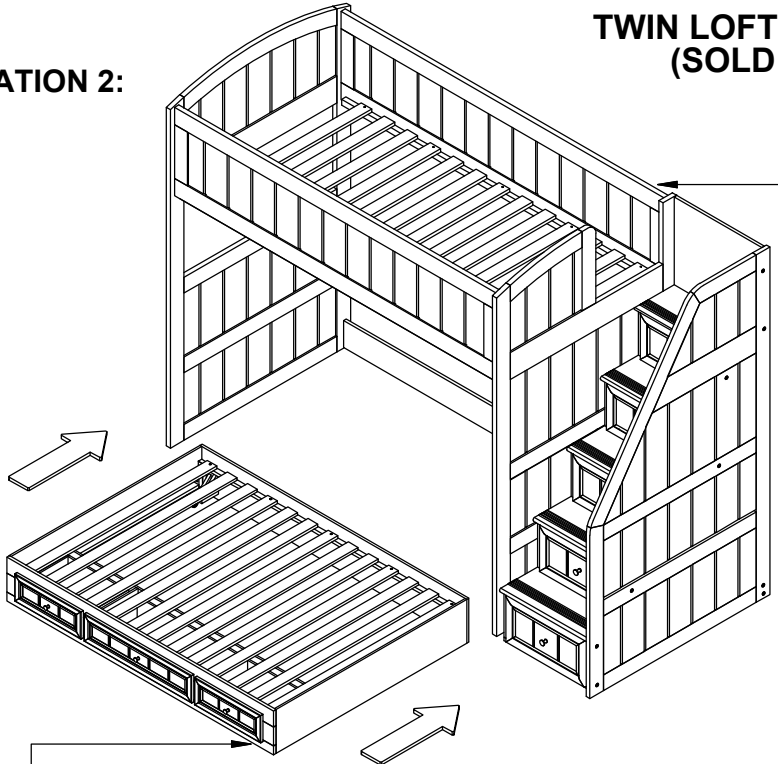
Thank you for purchasing this quality product. Be sure to check all packing material carefully for small parts which may have come loose inside the carton during shipment. Identify and count all parts and compare with the parts list below. Read all instructions before assembling bed and keep these instruction for future reference.

Assembly Instructions:

STEP 5
CONFIGURATION 2:

**TWIN LOFT BED W/ STAIRCASE
(SOLD SEPARATELY)**

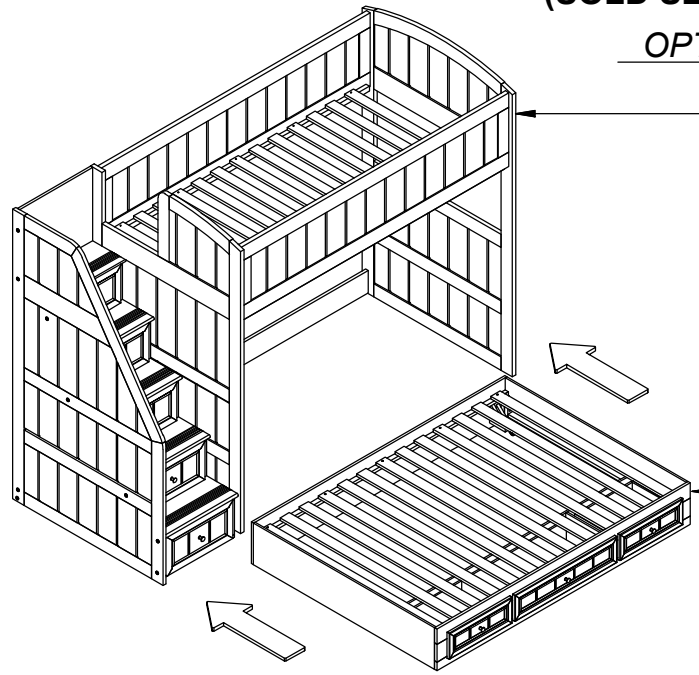
OPTION 1



TWIN / FULL PLATFORM BED

**TWIN LOFT BED W/ STAIRCASE
(SOLD SEPARATELY)**

OPTION 2



TWIN / FULL PLATFORM BED

DO NOT USE SUBSTITUTE PARTS. PLEASE CONTACT YOUR RETAIL STORE OR WWW.ROOMSTOGO.COM WITH SERVICE OR PARTS REPLACEMENT REQUEST.

This product is manufactured by (JSFC) for **ROOMS TO GO® | KIDS**

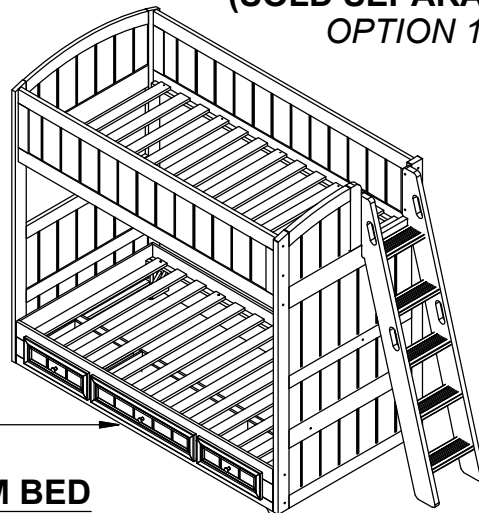
Thank you for purchasing this quality product. Be sure to check all packing material carefully for small parts which may have come loose inside the carton during shipment. Identify and count all parts and compare with the parts list below. Read all instructions before assembling bed and keep these instruction for future reference.

Assembly Instructions:

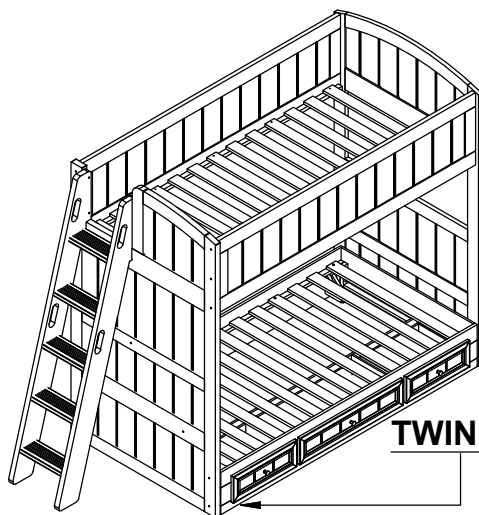
STEP 6

CONFIGURATION 1:

TWIN LOFT BED W/ LADDER (SOLD SEPARATELY) OPTION 1

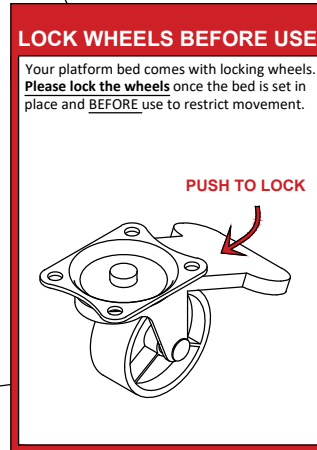


TWIN PLATFORM BED



TWIN PLATFORM BED

TWIN LOFT BED W/ LADDER (SOLD SEPARATELY) OPTION 2



The twin platform bed can slide under the bed.

DO NOT USE SUBSTITUTE PARTS. PLEASE CONTACT YOUR RETAIL STORE OR WWW.ROOMSTOGO.COM WITH SERVICE OR PARTS REPLACEMENT REQUEST.

This product is manufactured by (JSFC) for **ROOMS TO GO® | KIDS**

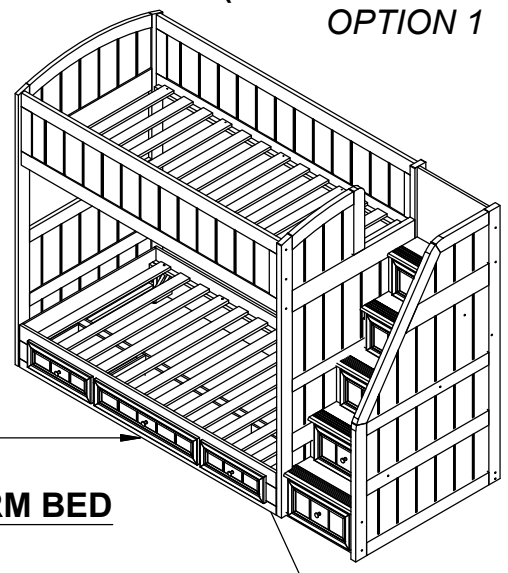
Thank you for purchasing this quality product. Be sure to check all packing material carefully for small parts which may have come loose inside the carton during shipment. Identify and count all parts and compare with the parts list below. Read all instructions before assembling bed and keep these instruction for future reference.

Assembly Instructions:

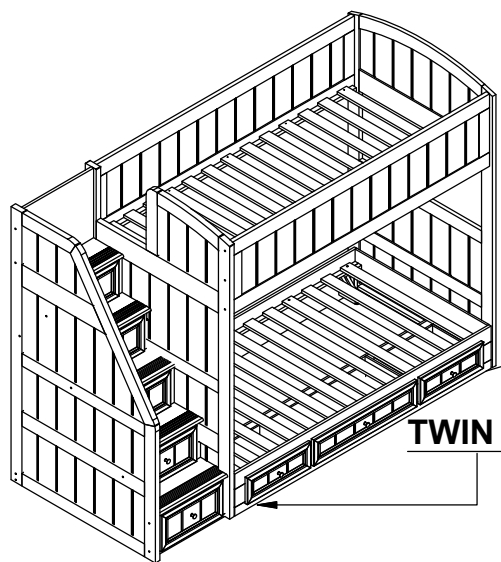
STEP 6

CONFIGURATION 2:

TWIN LOFT BED W/ STAIRCASE (SOLD SEPARATELY) OPTION 1



TWIN PLATFORM BED



TWIN PLATFORM BED

TWIN LOFT BED W/ STAIRCASE (SOLD SEPARATELY) OPTION 2

LOCK WHEELS BEFORE USE

Your platform bed comes with locking wheels. **Please lock the wheels** once the bed is set in place and **BEFORE** use to restrict movement.

PUSH TO LOCK

The twin platform bed can slide under the bed.

DO NOT USE SUBSTITUTE PARTS. PLEASE CONTACT YOUR RETAIL STORE OR WWW.ROOMSTOGO.COM WITH SERVICE OR PARTS REPLACEMENT REQUEST.

This product is manufactured by (JSFC) for **ROOMS TO GO® | KIDS**

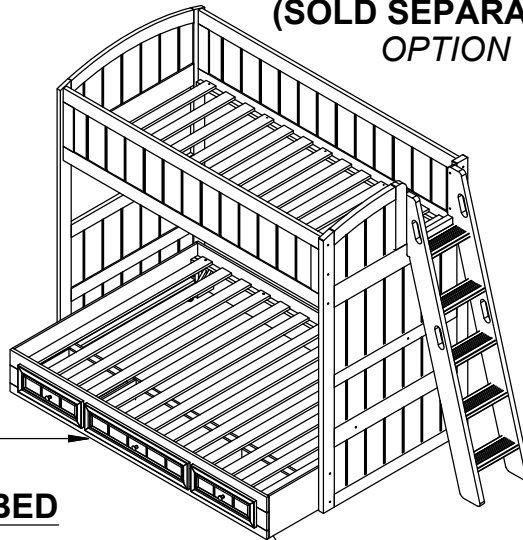
Thank you for purchasing this quality product. Be sure to check all packing material carefully for small parts which may have come loose inside the carton during shipment. Identify and count all parts and compare with the parts list below. Read all instructions before assembling bed and keep these instruction for future reference.

Assembly Instructions:

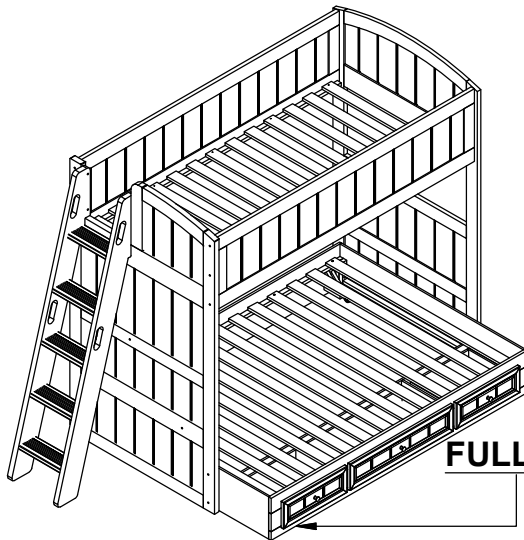
STEP 6

CONFIGURATION 1:

TWIN LOFT BED W/ LADDER (SOLD SEPARATELY) OPTION 1



FULL PLATFORM BED



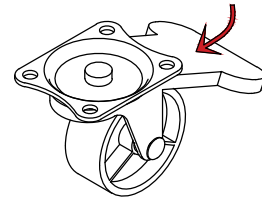
FULL PLATFORM BED

TWIN LOFT BED W/ LADDER (SOLD SEPARATELY) OPTION 2

LOCK WHEELS BEFORE USE

Your platform bed comes with locking wheels. Please lock the wheels once the bed is set in place and BEFORE use to restrict movement.

PUSH TO LOCK



The full platform bed can slide under the bed.

DO NOT USE SUBSTITUTE PARTS. PLEASE CONTACT YOUR RETAIL STORE OR WWW.ROOMSTOGO.COM WITH SERVICE OR PARTS REPLACEMENT REQUEST.

This product is manufactured by (JSFC) for **ROOMS TO GO® | KIDS**

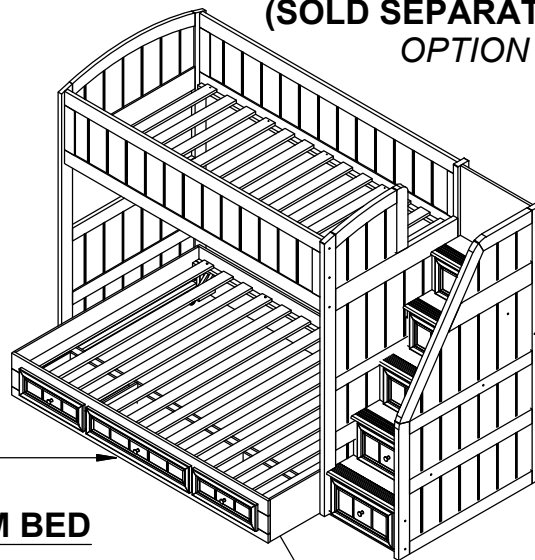
Thank you for purchasing this quality product. Be sure to check all packing material carefully for small parts which may have come loose inside the carton during shipment. Identify and count all parts and compare with the parts list below. Read all instructions before assembling bed and keep these instruction for future reference.

Assembly Instructions:

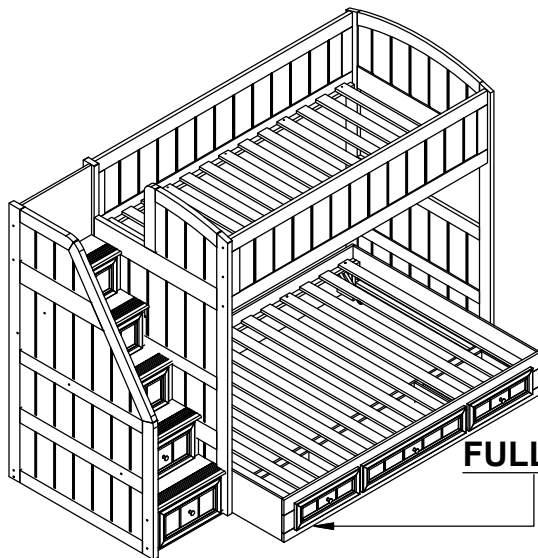
STEP 6

CONFIGURATION 2:

TWIN LOFT BED W/ STAIRCASE (SOLD SEPARATELY) OPTION 1



FULL PLATFORM BED



FULL PLATFORM BED

TWIN LOFT BED W/ STAIRCASE (SOLD SEPARATELY) OPTION 2

LOCK WHEELS BEFORE USE

Your platform bed comes with locking wheels. Please lock the wheels once the bed is set in place and BEFORE use to restrict movement.

PUSH TO LOCK

The full platform bed can slide under the bed.

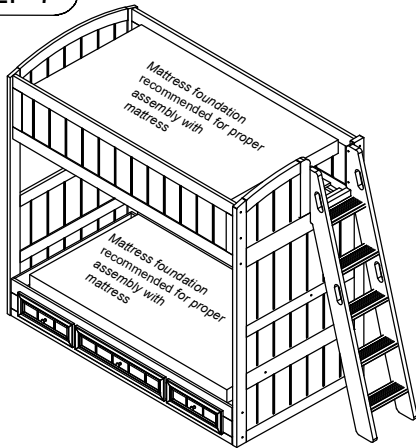
DO NOT USE SUBSTITUTE PARTS. PLEASE CONTACT YOUR RETAIL STORE OR WWW.ROOMSTOGO.COM WITH SERVICE OR PARTS REPLACEMENT REQUEST.

This product is manufactured by (JSFC) for **ROOMS TO GO® | KIDS**

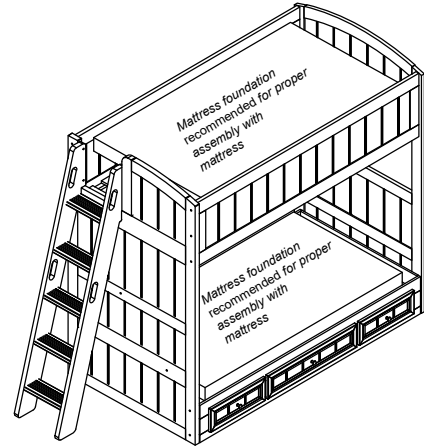
Thank you for purchasing this quality product. Be sure to check all packing material carefully for small parts which may have come loose inside the carton during shipment. Identify and count all parts and compare with the parts list below. Read all instructions before assembling bed and keep these instruction for future reference.

Assembly Instructions:

STEP 7



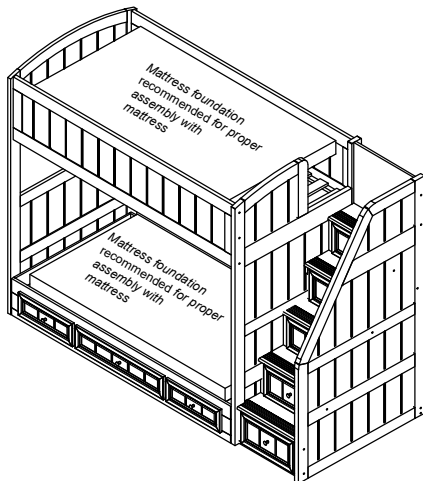
**TWIN LOFT BED W/ LADDER
& TWIN PLATFORM BED
OPTION 1**



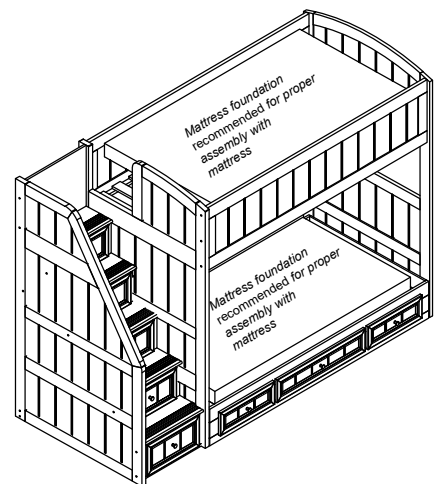
**TWIN LOFT BED W/ LADDER
& TWIN PLATFORM BED
OPTION 2**

A mattress foundation is recommended for proper assembly with mattress. Place the mattress foundation (not provided) on top

STEP 7



**TWIN LOFT BED W/ STAIRCASE
& TWIN PLATFORM BED
OPTION 1**



**TWIN LOFT BED W/ STAIRCASE
& TWIN PLATFORM BED
OPTION 2**

A mattress foundation is recommended for proper assembly with mattress. Place the mattress foundation (not provided) on top

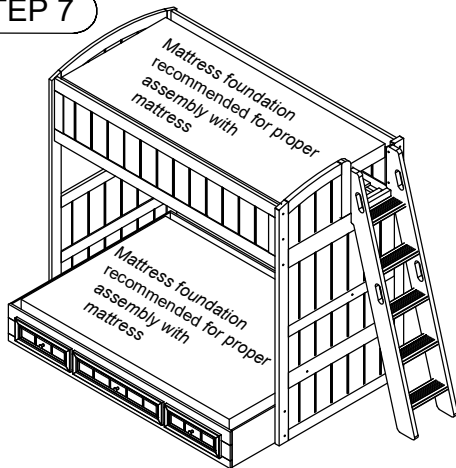
DO NOT USE SUBSTITUTE PARTS. PLEASE CONTACT YOUR RETAIL STORE OR WWW.ROOMSTOGO.COM WITH SERVICE OR PARTS REPLACEMENT REQUEST.

This product is manufactured by (JSFC) for **ROOMS TO GO® | KIDS**

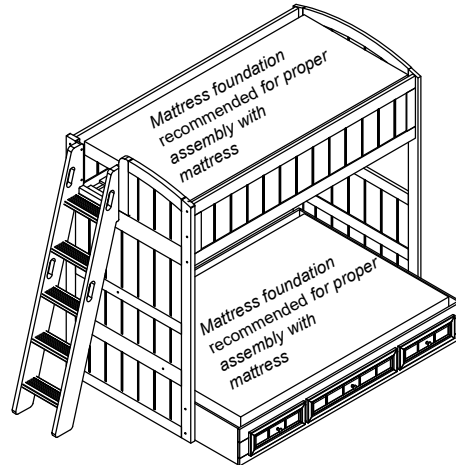
Thank you for purchasing this quality product. Be sure to check all packing material carefully for small parts which may have come loose inside the carton during shipment. Identify and count all parts and compare with the parts list below. Read all instructions before assembling bed and keep these instruction for future reference.

Assembly Instructions:

STEP 7



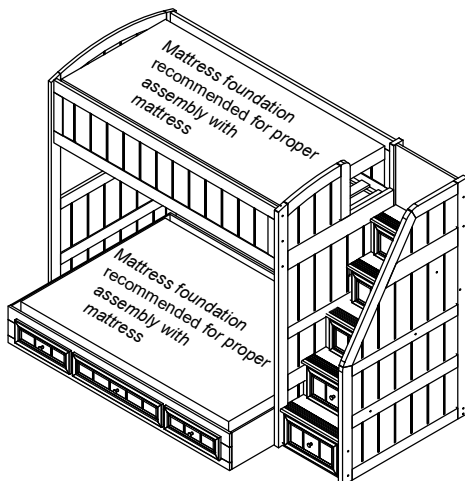
**TWIN LOFT BED W/ LADDER
& FULL PLATFORM BED
OPTION 3**



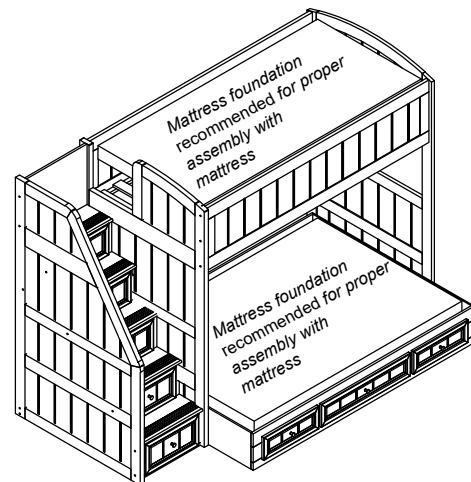
**TWIN LOFT BED W/ LADDER
& FULL PLATFORM BED
OPTION 4**

A mattress foundation is recommended for proper assembly with mattress. Place the mattress foundation (not provided) on top

STEP 7



**TWIN LOFT BED W/ STAIRCASE
& FULL PLATFORM BED
OPTION 3**



**TWIN LOFT BED W/ STAIRCASE
& FULL PLATFORM BED
OPTION 4**

A mattress foundation is recommended for proper assembly with mattress. Place the mattress foundation (not provided) on top

DO NOT USE SUBSTITUTE PARTS. PLEASE CONTACT YOUR RETAIL STORE OR WWW.ROOMSTOGO.COM WITH SERVICE OR PARTS REPLACEMENT REQUEST.

This product is manufactured by (JSFC) for **ROOMS TO GO® | KIDS**