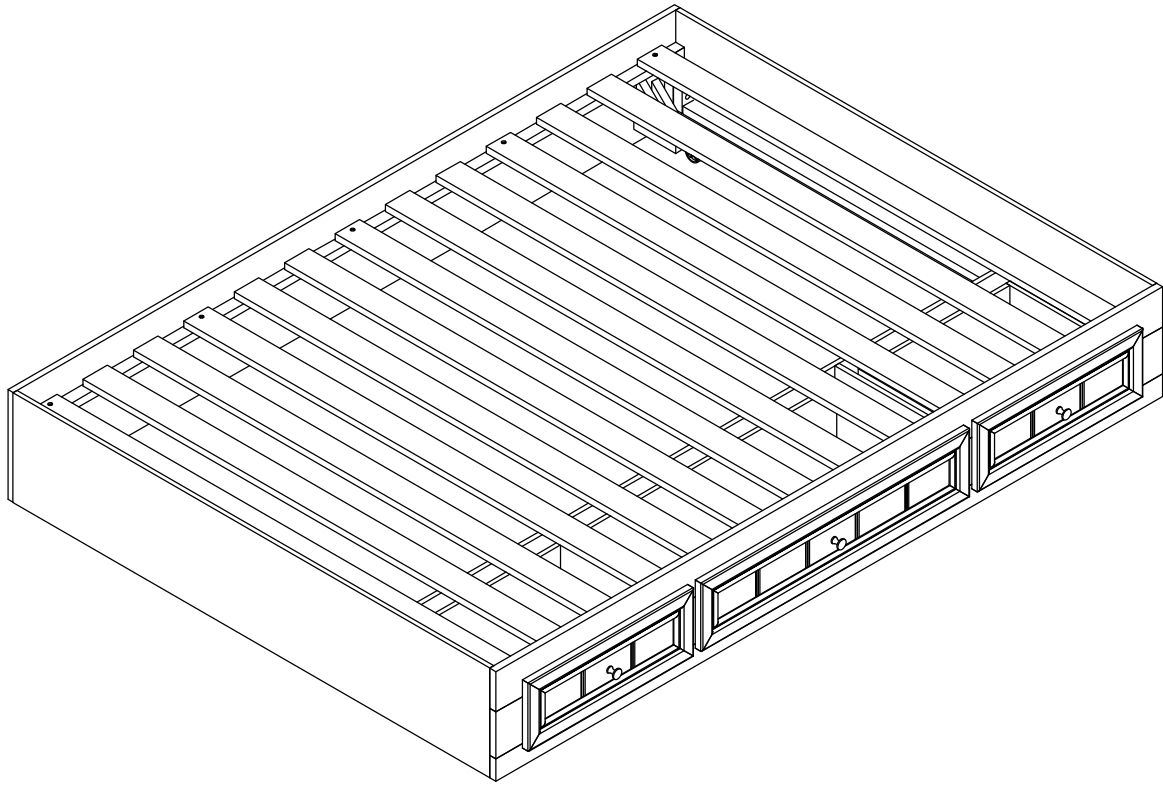




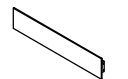

# COTTAGE COLORS 2.0

## TWIN / FULL PLATFORM BED W/ 3 DRAWERS



SKU#	STYLE	COLOR	ITEM DESCRIPTION
35722304	225-TPW	WHITE	TWIN PLATFORM BED W/3 DRAWERS
35722328	225-TPG	GRAY	TWIN PLATFORM BED W/3 DRAWERS
35722330	225-TPNB	NAVY BLUE	TWIN PLATFORM BED W/3 DRAWERS
35722316	225-TPB	BLACK	TWIN PLATFORM BED W/3 DRAWERS

SKU#	STYLE	COLOR	ITEM DESCRIPTION
35822306	225-FPW	WHITE	FULL PLATFORM BED W/3 DRAWERS
35822320	225-FPG	GRAY	FULL PLATFORM BED W/3 DRAWERS
35822332	225-FPNB	NAVY BLUE	FULL PLATFORM BED W/3 DRAWERS
35822318	225-FPB	BLACK	FULL PLATFORM BED W/3 DRAWERS



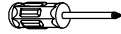
TWIN/FULL PLATFORM BED PART LIST			
NO.	ITEM DESCRIPTION	IMAGE	QTY
A	FRONT CASES		1PC
B	BACK PANEL		1PC
C	SIDE PANEL		2PCS
D	SLAT ROLL		1SET



DO NOT USE SUBSTITUTE PARTS. PLEASE CONTACT YOUR RETAIL STORE OR [WWW.ROOMSTOGO.COM](http://WWW.ROOMSTOGO.COM) WITH SERVICE OR PARTS REPLACEMENT REQUEST.

This product is manufactured by (JSFC) for **ROOMS TO GO® | KIDS**

# COTTAGE COLORS 2.0

## TWIN / FULL PLATFORM BED W/ 3 DRAWERS

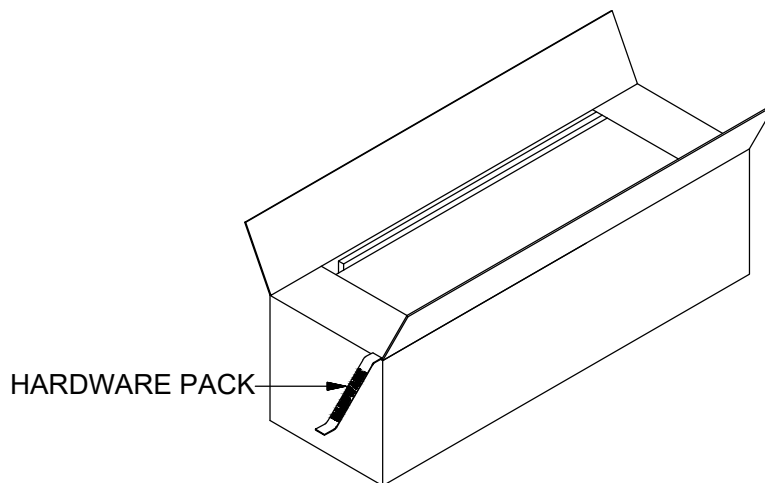
TWIN/FULL PLATFORM BED HARDWARE LIST			
	ITEM DESCRIPTION	IMAGE	QTY
1	ALLEN KEY 4mm		1PC
2	SCREW M4 x 1 1/4"		10 PCS
3	PHILIPS SCREWDRIVER (NOT PROVIDED)		1PC

TWIN/FULL PLATFORM BED PRE-ASSEMBLED HARDWARE LIST			
	DESCRIPTION	IMAGE	QTY
4	BOLT Ø5/16 *13* 1-3/4"L		8 PCS
	SPRING WASHER Ø5/16*12*1.2MM		8 PCS
	FLAT WASHER Ø5/16*19*1.5MM		8 PCS
	THREADED WASHER Ø5/16"-19 X 10MM		8 PCS
5	CASTER W/ MANUAL LOCK		4 PCS

### HARDWARE PACK LOCATION

SKU#	STYLE	COLOR	ITEM DESCRIPTION
35722304	225-TPW	WHITE	TWIN PLATFORM BED W/3 DRAWERS
35722328	225-TPG	GRAY	TWIN PLATFORM BED W/3 DRAWERS
35722330	225-TPNB	NAVY BLUE	TWIN PLATFORM BED W/3 DRAWERS
35722316	225-TPB	BLACK	TWIN PLATFORM BED W/3 DRAWERS

SKU#	STYLE	COLOR	ITEM DESCRIPTION
35822306	225-FPW	WHITE	FULL PLATFORM BED W/3 DRAWERS
35822320	225-FPG	GRAY	FULL PLATFORM BED W/3 DRAWERS
35822332	225-FPNB	NAVY BLUE	FULL PLATFORM BED W/3 DRAWERS
35822318	225-FPB	BLACK	FULL PLATFORM BED W/3 DRAWERS



DO NOT USE SUBSTITUTE PARTS. PLEASE CONTACT YOUR RETAIL STORE OR [WWW.ROOMSTOGO.COM](http://WWW.ROOMSTOGO.COM) WITH SERVICE OR PARTS REPLACEMENT REQUEST.

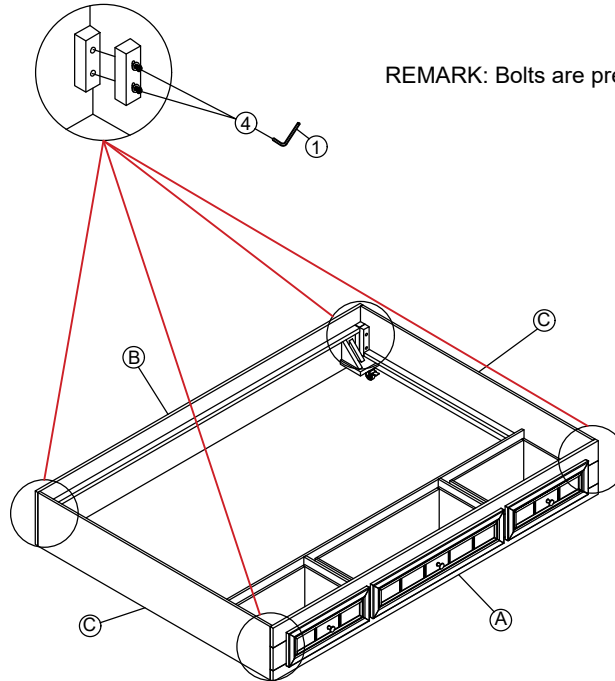
This product is manufactured by (JSFC) for **ROOMS TO GO® | KIDS**

Thank you for purchasing this quality product. Be sure to check all packing material carefully for small parts which may have come loose inside the carton during shipment. Identify and count all parts and compare with the parts list below. Read all instructions before assembling bed and keep these instruction for future reference.

## Assembly Instructions:

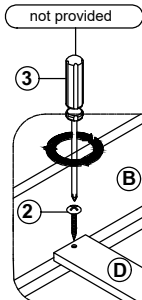
### STEP 1

Attach Front Cases(A), Back Panel(B) to the Side Panel(C): Loosen pre-assembled bolts from the Side Panel(C) to secure. Tighten bolts using Allen Key(1) provided.

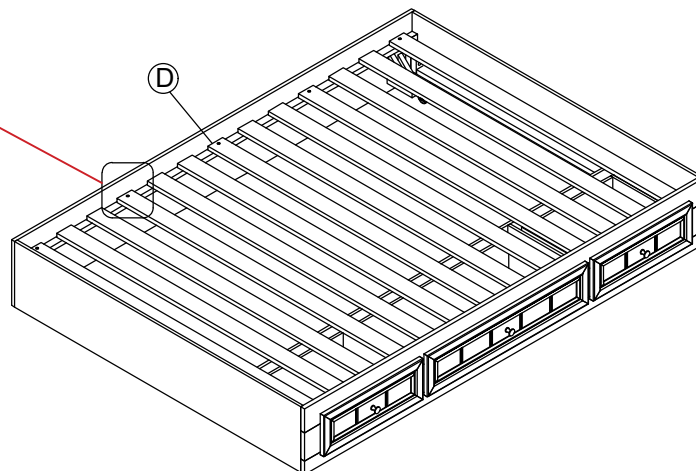


REMARK: Bolts are pre-assembled

### STEP 2



Attach Slat Roll(D) to Platform bed:  
Tighten the screws with a Phillips  
Screwdriver (Not provided) by  
screwing the screws into place.



DO NOT USE SUBSTITUTE PARTS. PLEASE CONTACT YOUR RETAIL STORE OR [WWW.ROOMSTOGO.COM](http://WWW.ROOMSTOGO.COM) WITH SERVICE OR PARTS REPLACEMENT REQUEST.

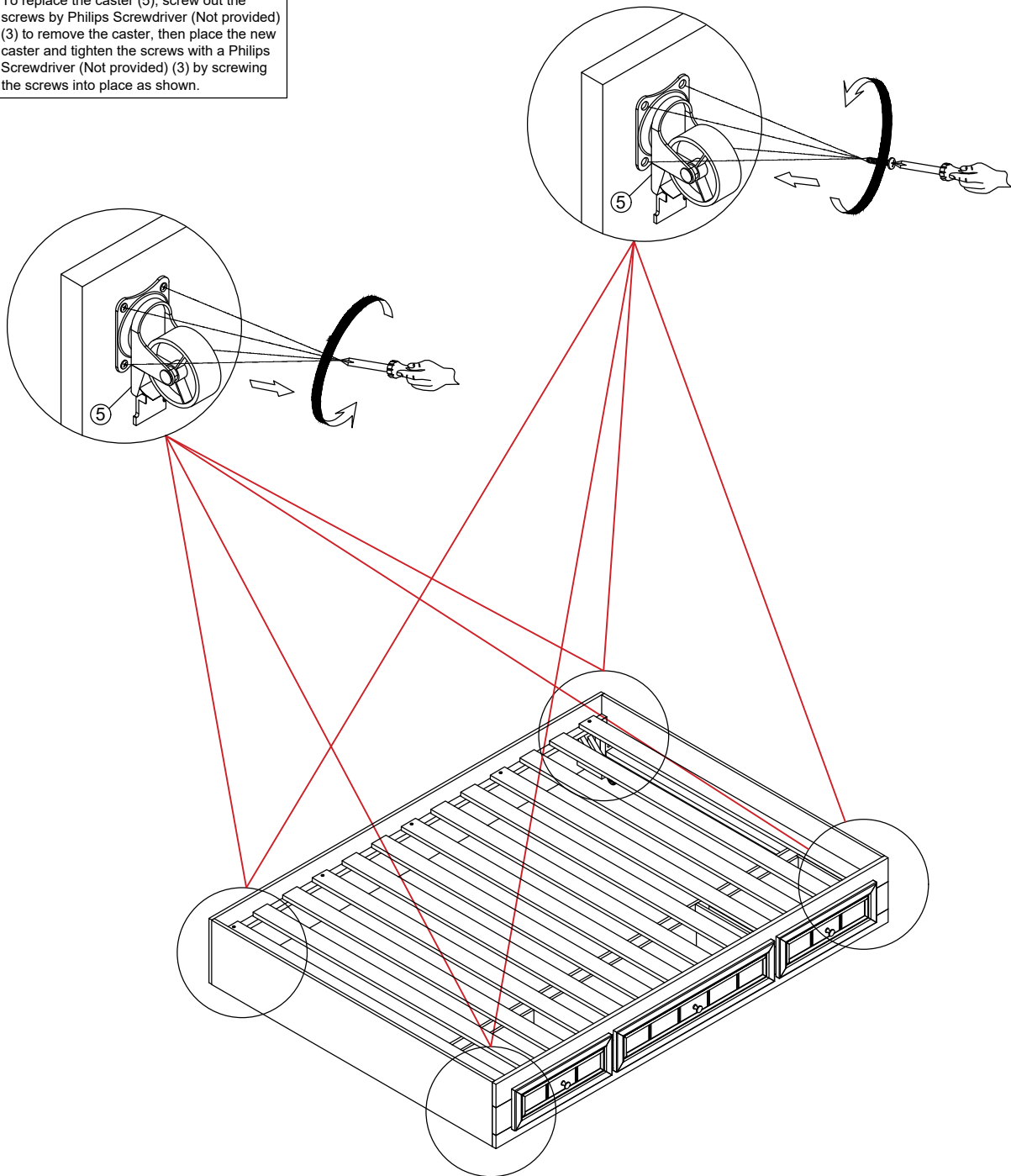
This product is manufactured by (JSFC) for **ROOMS TO GO® | KIDS**

Thank you for purchasing this quality product. Be sure to check all packing material carefully for small parts which may have come loose inside the carton during shipment. Identify and count all parts and compare with the parts list below. Read all instructions before assembling bed and keep these instruction for future reference.

## Assembly Instructions:

### STEP 3

To replace the caster (5), screw out the screws by Philips Screwdriver (Not provided) (3) to remove the caster, then place the new caster and tighten the screws with a Philips Screwdriver (Not provided) (3) by screwing the screws into place as shown.

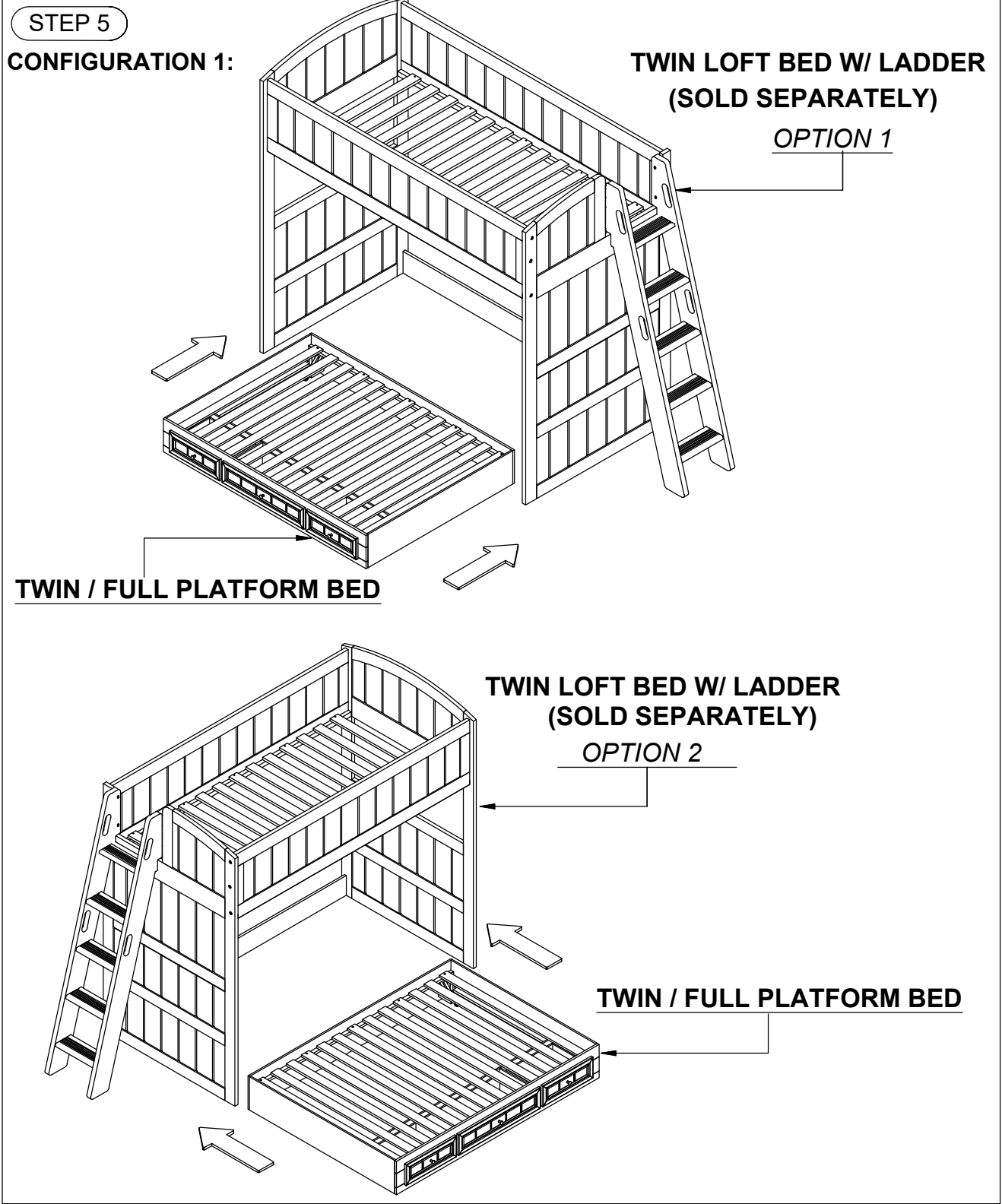


DO NOT USE SUBSTITUTE PARTS. PLEASE CONTACT YOUR RETAIL STORE OR [WWW.ROOMSTOGO.COM](http://WWW.ROOMSTOGO.COM) WITH SERVICE OR PARTS REPLACEMENT REQUEST.

This product is manufactured by (JSFC) for **ROOMS TO GO® | KIDS**

Thank you for purchasing this quality product. Be sure to check all packing material carefully for small parts which may have come loose inside the carton during shipment. Identify and count all parts and compare with the parts list below. Read all instructions before assembling bed and keep these instruction for future reference.

## Assembly Instructions:



DO NOT USE SUBSTITUTE PARTS. PLEASE CONTACT YOUR RETAIL STORE OR [WWW.ROOMSTOGO.COM](http://WWW.ROOMSTOGO.COM) WITH SERVICE OR PARTS REPLACEMENT REQUEST.

This product is manufactured by (JSFC) for **ROOMS TO GO® | KIDS**

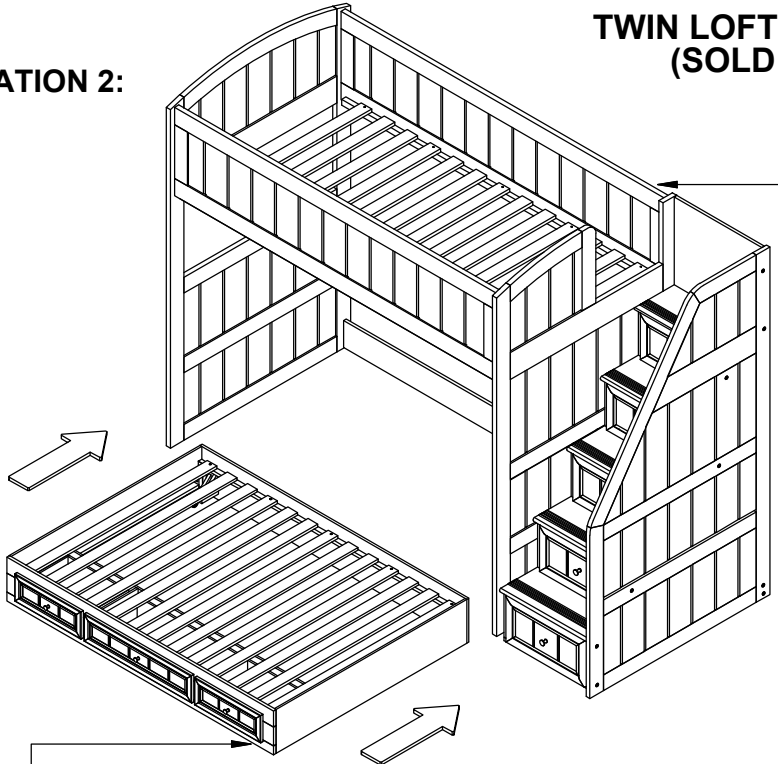
Thank you for purchasing this quality product. Be sure to check all packing material carefully for small parts which may have come loose inside the carton during shipment. Identify and count all parts and compare with the parts list below. Read all instructions before assembling bed and keep these instruction for future reference.

**Assembly Instructions:**

**STEP 5**  
**CONFIGURATION 2:**

**TWIN LOFT BED W/ STAIRCASE  
(SOLD SEPARATELY)**

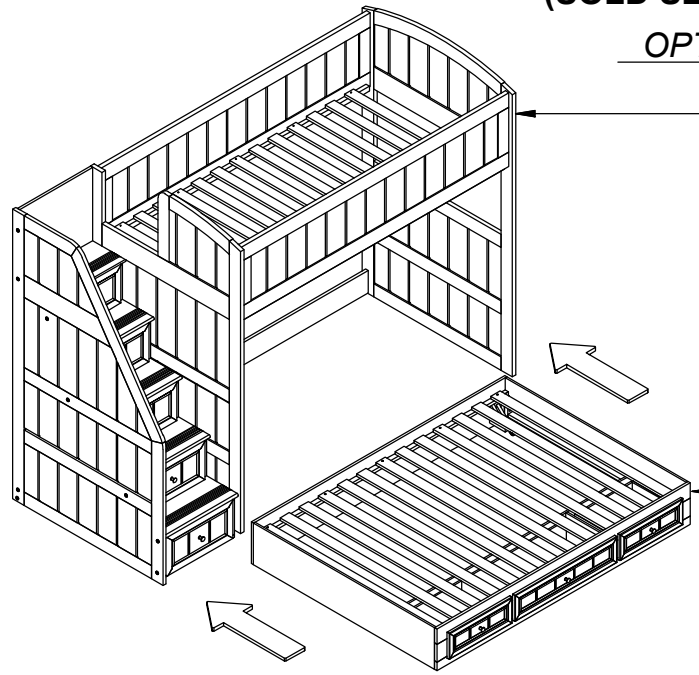
OPTION 1



**TWIN / FULL PLATFORM BED**

**TWIN LOFT BED W/ STAIRCASE  
(SOLD SEPARATELY)**

OPTION 2



**TWIN / FULL PLATFORM BED**

DO NOT USE SUBSTITUTE PARTS. PLEASE CONTACT YOUR RETAIL STORE OR [WWW.ROOMSTOGO.COM](http://WWW.ROOMSTOGO.COM) WITH SERVICE OR PARTS REPLACEMENT REQUEST.

This product is manufactured by (JSFC) for **ROOMS TO GO® | KIDS**

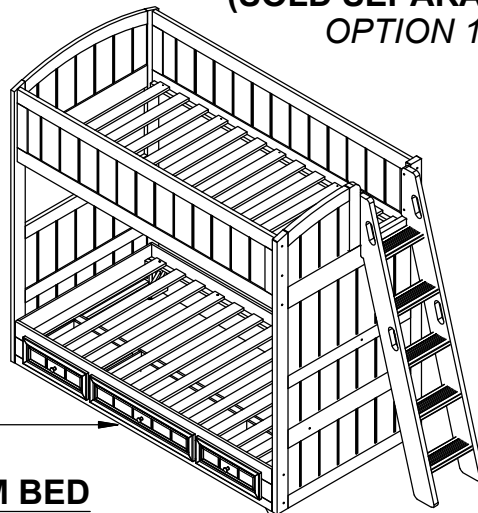
Thank you for purchasing this quality product. Be sure to check all packing material carefully for small parts which may have come loose inside the carton during shipment. Identify and count all parts and compare with the parts list below. Read all instructions before assembling bed and keep these instruction for future reference.

## Assembly Instructions:

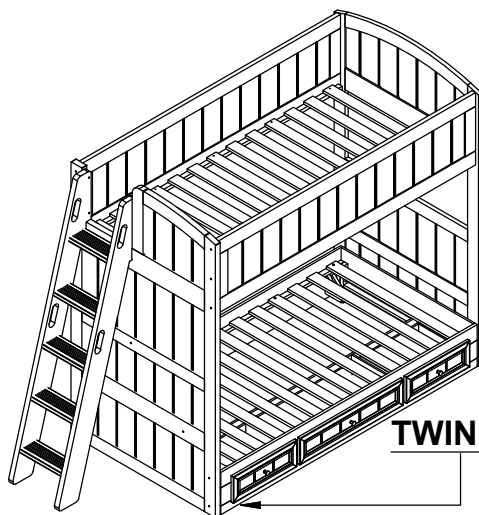
### STEP 6

#### CONFIGURATION 1:

#### TWIN LOFT BED W/ LADDER (SOLD SEPARATELY) OPTION 1



TWIN PLATFORM BED



TWIN PLATFORM BED

#### TWIN LOFT BED W/ LADDER (SOLD SEPARATELY) OPTION 2

**LOCK WHEELS BEFORE USE**

Your platform bed comes with locking wheels. **Please lock the wheels** once the bed is set in place and **BEFORE** use to restrict movement.

**PUSH TO LOCK**

The twin platform bed can slide under the bed.

DO NOT USE SUBSTITUTE PARTS. PLEASE CONTACT YOUR RETAIL STORE OR [WWW.ROOMSTOGO.COM](http://WWW.ROOMSTOGO.COM) WITH SERVICE OR PARTS REPLACEMENT REQUEST.

This product is manufactured by (JSFC) for **ROOMS TO GO® | KIDS**

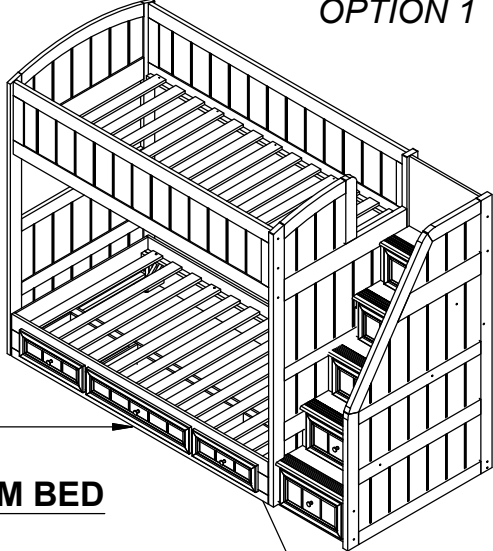
Thank you for purchasing this quality product. Be sure to check all packing material carefully for small parts which may have come loose inside the carton during shipment. Identify and count all parts and compare with the parts list below. Read all instructions before assembling bed and keep these instruction for future reference.

## Assembly Instructions:

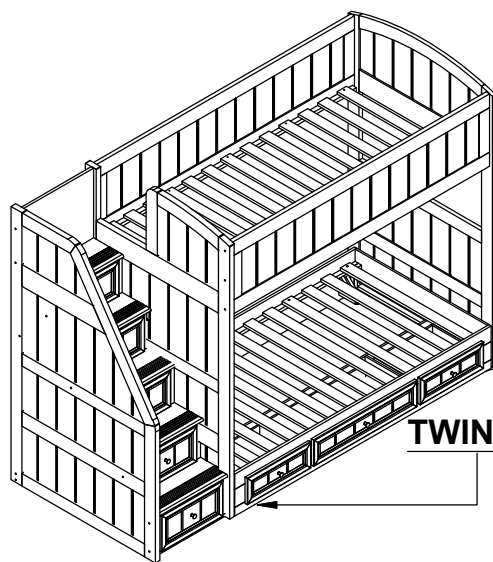
### STEP 6

#### CONFIGURATION 2:

#### TWIN LOFT BED W/ STAIRCASE (SOLD SEPARATELY) OPTION 1



**TWIN PLATFORM BED**



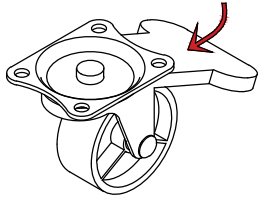
**TWIN PLATFORM BED**

#### TWIN LOFT BED W/ STAIRCASE (SOLD SEPARATELY) OPTION 2

**LOCK WHEELS BEFORE USE**

Your platform bed comes with locking wheels. **Please lock the wheels** once the bed is set in place and **BEFORE** use to restrict movement.

**PUSH TO LOCK**



The twin platform bed can slide under the bed.

DO NOT USE SUBSTITUTE PARTS. PLEASE CONTACT YOUR RETAIL STORE OR [WWW.ROOMSTOGO.COM](http://WWW.ROOMSTOGO.COM) WITH SERVICE OR PARTS REPLACEMENT REQUEST.

This product is manufactured by (JSFC) for **ROOMS TO GO® | KIDS**

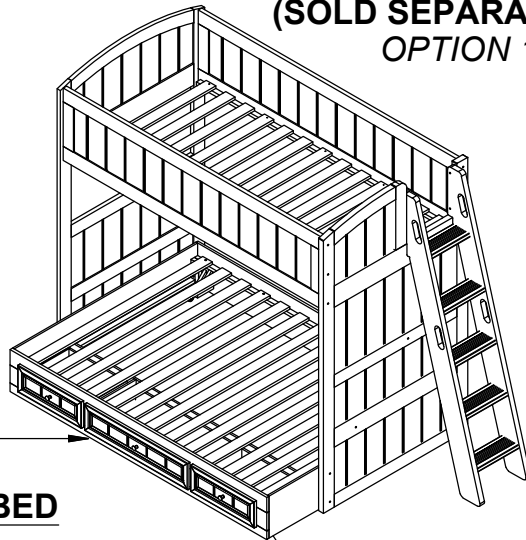
Thank you for purchasing this quality product. Be sure to check all packing material carefully for small parts which may have come loose inside the carton during shipment. Identify and count all parts and compare with the parts list below. Read all instructions before assembling bed and keep these instruction for future reference.

## Assembly Instructions:

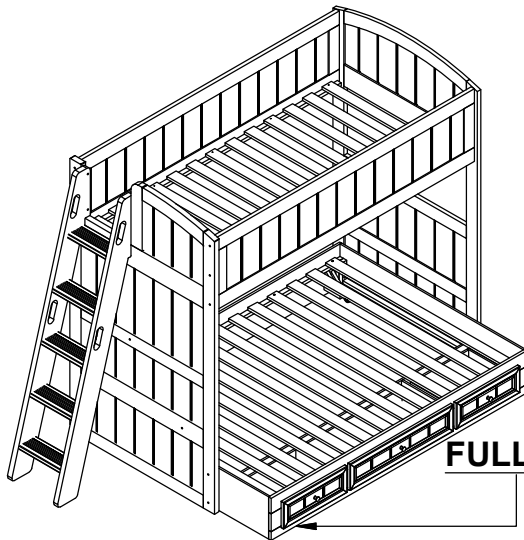
### STEP 6

#### CONFIGURATION 1:

#### TWIN LOFT BED W/ LADDER (SOLD SEPARATELY) OPTION 1



**FULL PLATFORM BED**



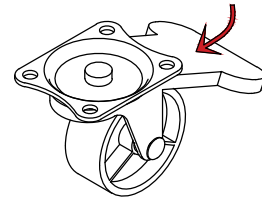
**FULL PLATFORM BED**

#### TWIN LOFT BED W/ LADDER (SOLD SEPARATELY) OPTION 2

#### LOCK WHEELS BEFORE USE

Your platform bed comes with locking wheels. Please lock the wheels once the bed is set in place and BEFORE use to restrict movement.

**PUSH TO LOCK**



The full platform bed can slide under the bed.

DO NOT USE SUBSTITUTE PARTS. PLEASE CONTACT YOUR RETAIL STORE OR [WWW.ROOMSTOGO.COM](http://WWW.ROOMSTOGO.COM) WITH SERVICE OR PARTS REPLACEMENT REQUEST.

This product is manufactured by (JSFC) for **ROOMS TO GO® | KIDS**

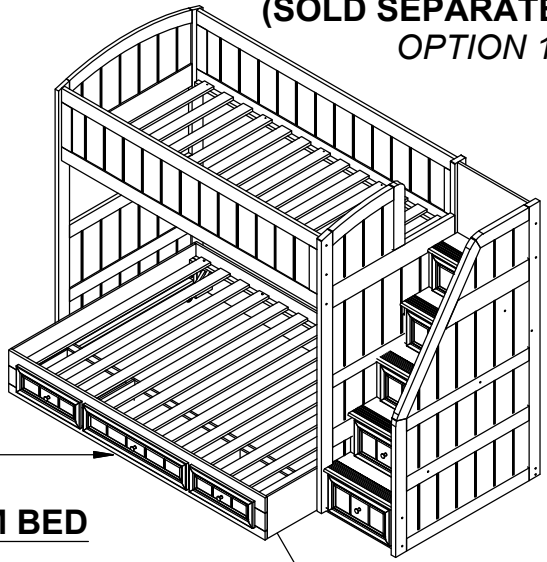
Thank you for purchasing this quality product. Be sure to check all packing material carefully for small parts which may have come loose inside the carton during shipment. Identify and count all parts and compare with the parts list below. Read all instructions before assembling bed and keep these instruction for future reference.

## Assembly Instructions:

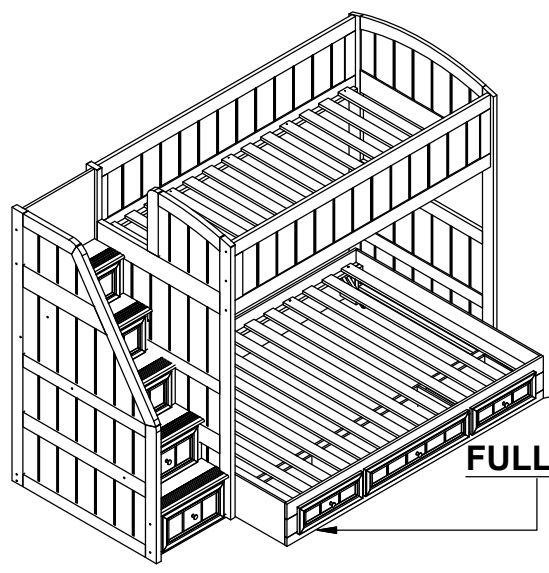
### STEP 6

#### CONFIGURATION 2:

#### TWIN LOFT BED W/ STAIRCASE (SOLD SEPARATELY) OPTION 1



**FULL PLATFORM BED**



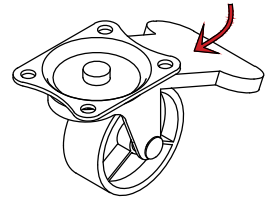
**FULL PLATFORM BED**

#### TWIN LOFT BED W/ STAIRCASE (SOLD SEPARATELY) OPTION 2

**LOCK WHEELS BEFORE USE**

Your platform bed comes with locking wheels. **Please lock the wheels** once the bed is set in place and **BEFORE** use to restrict movement.

**PUSH TO LOCK**



The full platform bed can slide under the bed.

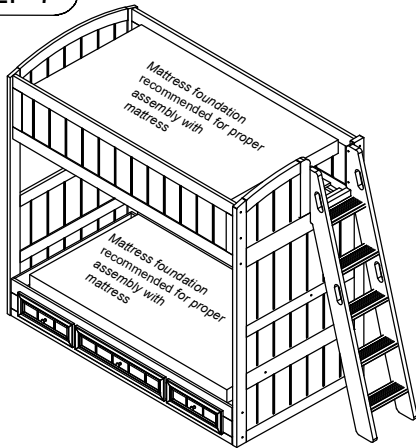
DO NOT USE SUBSTITUTE PARTS. PLEASE CONTACT YOUR RETAIL STORE OR [WWW.ROOMSTOGO.COM](http://WWW.ROOMSTOGO.COM) WITH SERVICE OR PARTS REPLACEMENT REQUEST.

This product is manufactured by (JSFC) for **ROOMS TO GO® | KIDS**

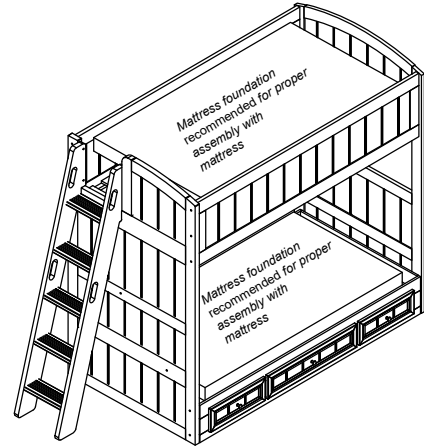
Thank you for purchasing this quality product. Be sure to check all packing material carefully for small parts which may have come loose inside the carton during shipment. Identify and count all parts and compare with the parts list below. Read all instructions before assembling bed and keep these instruction for future reference.

## Assembly Instructions:

### STEP 7



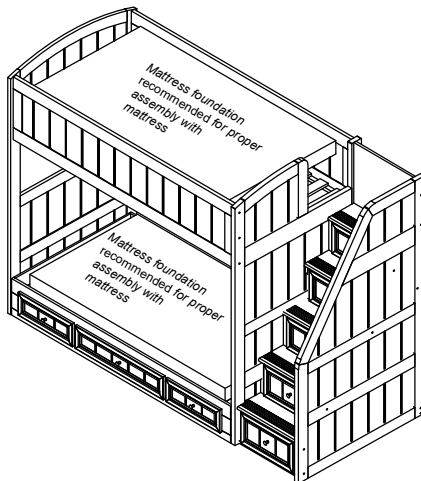
**TWIN LOFT BED W/ LADDER  
& TWIN PLATFORM BED  
OPTION 1**



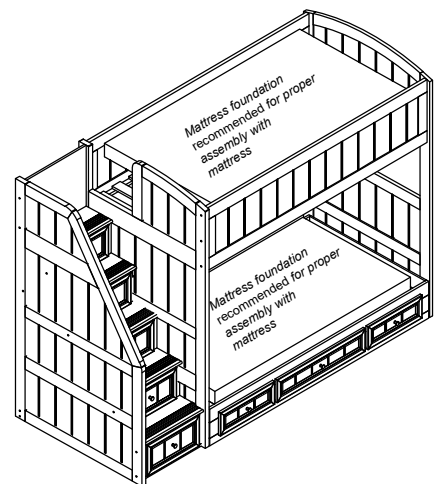
**TWIN LOFT BED W/ LADDER  
& TWIN PLATFORM BED  
OPTION 2**

A mattress foundation is recommended for proper assembly with mattress. Place the mattress foundation (not provided) on top

### STEP 7



**TWIN LOFT BED W/ STAIRCASE  
& TWIN PLATFORM BED  
OPTION 1**



**TWIN LOFT BED W/ STAIRCASE  
& TWIN PLATFORM BED  
OPTION 2**

A mattress foundation is recommended for proper assembly with mattress. Place the mattress foundation (not provided) on top

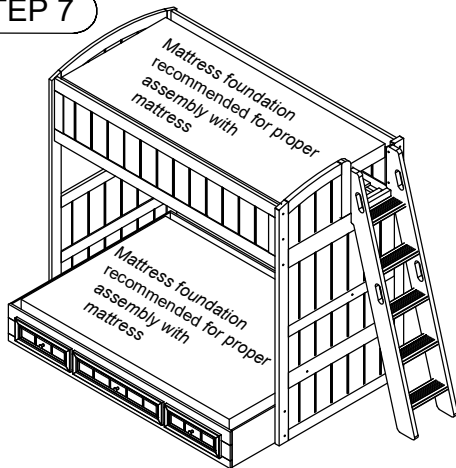
DO NOT USE SUBSTITUTE PARTS. PLEASE CONTACT YOUR RETAIL STORE OR [WWW.ROOMSTOGO.COM](http://WWW.ROOMSTOGO.COM) WITH SERVICE OR PARTS REPLACEMENT REQUEST.

This product is manufactured by (JSFC) for **ROOMS TO GO® | KIDS**

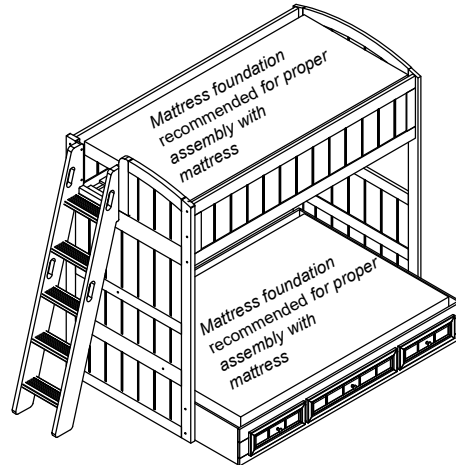
Thank you for purchasing this quality product. Be sure to check all packing material carefully for small parts which may have come loose inside the carton during shipment. Identify and count all parts and compare with the parts list below. Read all instructions before assembling bed and keep these instruction for future reference.

## Assembly Instructions:

STEP 7



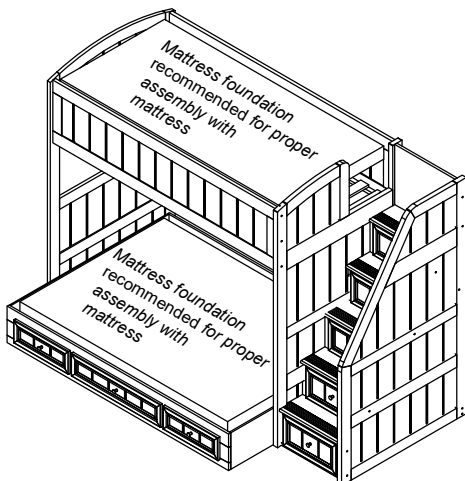
**TWIN LOFT BED W/ LADDER  
& FULL PLATFORM BED  
OPTION 3**



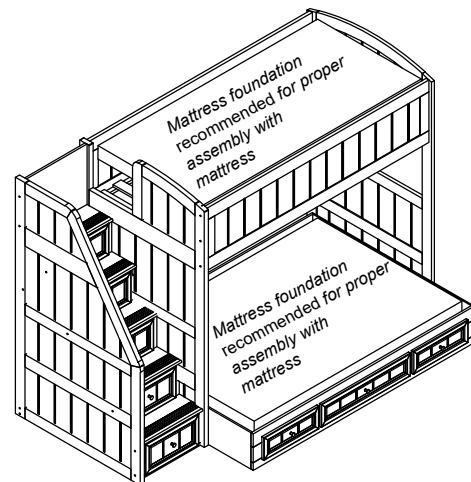
**TWIN LOFT BED W/ LADDER  
& FULL PLATFORM BED  
OPTION 4**

A mattress foundation is recommended for proper assembly with mattress. Place the mattress foundation (not provided) on top

STEP 7



**TWIN LOFT BED W/ STAIRCASE  
& FULL PLATFORM BED  
OPTION 3**



**TWIN LOFT BED W/ STAIRCASE  
& FULL PLATFORM BED  
OPTION 4**

A mattress foundation is recommended for proper assembly with mattress. Place the mattress foundation (not provided) on top

DO NOT USE SUBSTITUTE PARTS. PLEASE CONTACT YOUR RETAIL STORE OR [WWW.ROOMSTOGO.COM](http://WWW.ROOMSTOGO.COM) WITH SERVICE OR PARTS REPLACEMENT REQUEST.

This product is manufactured by (JSFC) for **ROOMS TO GO® | KIDS**