

(28-705) COTTAGE COLORS COLLECTION BUNK BED ASSEMBLY INSTRUCTIONS

THANK YOU FOR YOUR PURCHASE !

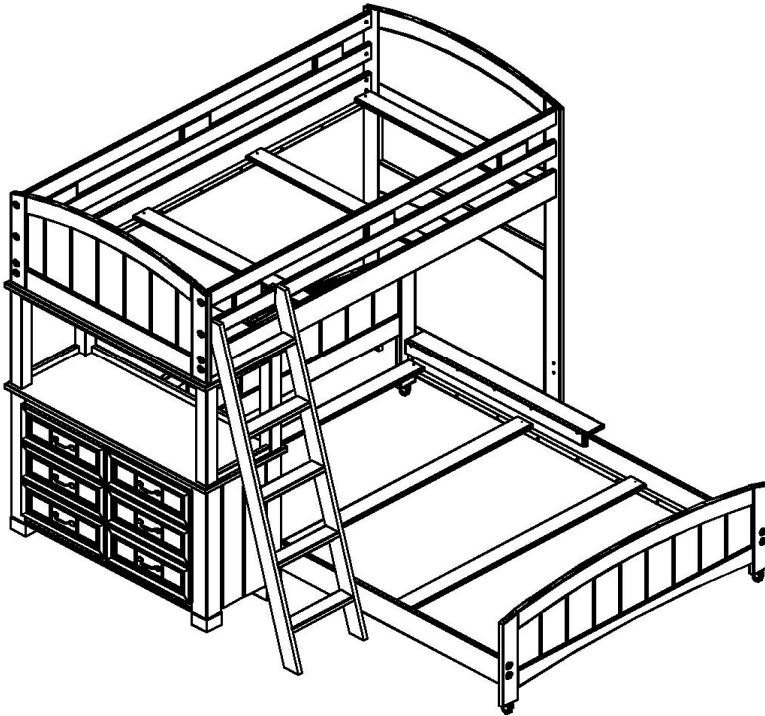
PLEASE CONTACT YOUR RETAIL STORE WITH SERVICE OR PARTS REPLACEMENT REQUEST

READ ALL THE INSTRUCTIONS AND IDENTIFY ALL COMPONENTS AND CHOOSE YOUR CONFIGURATION AND BE SURE YOU HAVE ALL PARTS

TWO PEOPLE ARE NEEDED TO ASSEMBLE.

DO NOT COMPLETELY TIGHTEN ALL BOLTS UNTIL ALL COMPONENTS ARE CONNECTED.

TWIN OVER FULL LOFT BUNK WITH LOFT DRESSER



3682800P TWIN OVER FULL LOFT BUNK WITH LOFT DRESSER (2800)

35628001	28W-705	TOP BUNK END
35528009	28W-706	TWIN BUNKBED ENDS
36328006	28W-709	FULL BOTTOM HDBD&FTBD
36128002	28W-730	4 SIDE RLS/2 GUARD RLS
36028000	28W-766	LOFT HUTCH
35828005	28W-207	LOFT DRESSER
36428008	28W-720	LADDER
36828006	28W-735	RAIL CAP
38000232	100-645	4PC TWIN SLAT PACK
38100234	100-646	4PC FULL SLAT PACK

3682801P TWIN OVER FULL LOFT BUNK WITH LOFT DRESSER (2801)

35628013	28B-705	TOP BUNK END
35528011	28B-706	TWIN BUNKBED ENDS
36328018	28B-709	FULL BOTTOM HDBD&FTBD
36128014	28B-730	4 SIDE RLS/2 GUARD RLS
36028012	28B-766	LOFT HUTCH
35828017	28B-207	LOFT DRESSER
36428010	28B-720	LADDER
36828018	28B-735	RAIL CAP
38000232	100-645	4PC TWIN SLAT PACK
38100234	100-646	4PC FULL SLAT PACK

3682802P TWIN OVER FULL LOFT BUNK WITH LOFT DRESSER (2802)

35628025	28J-705	TOP BUNK END
35528023	28J-706	TWIN BUNKBED ENDS
36328020	28J-709	FULL BOTTOM HDBD&FTBD
36128026	28J-730	4 SIDE RLS/2 GUARD RLS
36028024	28J-766	LOFT HUTCH
35828029	28J-207	LOFT DRESSER
36428022	28J-720	LADDER
36828020	28J-735	RAIL CAP
38000232	100-645	4PC TWIN SLAT PACK
38100234	100-646	4PC FULL SLAT PACK

WARNING:

THE BED SLATS WILL NO SUPPORT A MATTRESS ALONE, A SLAT PACK OR A BUNKIE BOARD IS REQUIRED FOR PROPER SAFETY.

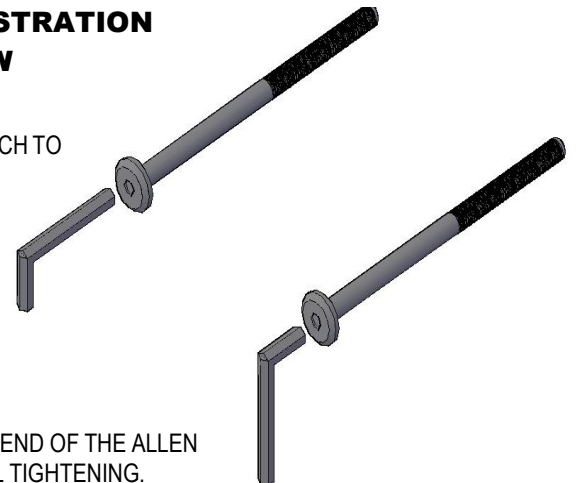
(NOT INCLUDED)

TO ASSEMBLE THIS BUNK BED REQUIRES TWO PERSONS

TIPS: SEE ILLUSTRATION BELOW

1.- USE THE LONG END OF THE ALLEN WRENCH TO FASTEN BOLTS LOOSELY AND QUICKLY.

MAKE SURE ALL BOLTS ARE TIGHTENED COMPLETELY



2.- USE THE SHORT END OF THE ALLEN WRENCH FOR FINAL TIGHTENING.

TWIN OVER FULL LOFT BUNK WITH LOFT DRESSER ASSEMBLY INSTRUCTIONS

LIST OF CONTENTS

28-705 TOP BUNK END FIG.1

A.- (1) TOP BUNK BED END
HARDWARE PACK (HPK00123-0)

B.- (2) 4" METAL DOWEL PINS

28-207 LOFT DRESSER FIG.2

C.- (1) LOFT DRESSER

28-735 RAIL CAP FIG.3

D.- (1) RAIL CAP

28-766 LOFT HUTCH FIG.4

E.- (1) LOFT HUTCH
HARDWARE PACK (HPK00012-0)

B.- (2) 4" METAL DOWEL PINS

28-730 4 SIDE RLS/2 GUARD RLS FIG.5

F.- (4) SIDE RAILS

G.- (2) GUARD RAILS
HARDWARE PACK (HPK00104-0)

H.- (24) 80MM FLAT HEAD BOLTS

I.- (24) 5/16"-18 X 5/8" CROSS DOWEL NUTS

J.- (1) 5MM ALLEN WRENCH

28-709 FULL BOTTOM HDBD & FTBD FIG.6

T.- (1) HEADBOARD

U.- (1) FOOTBOARD

HARDWARE PACK (HPK00127-0)

V.- (4) CASTERS

28-720 LADDER FIG.7

N.- (1) LADDER

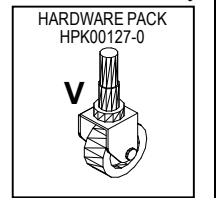
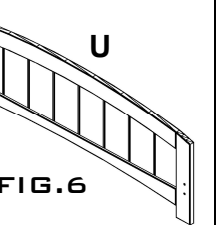
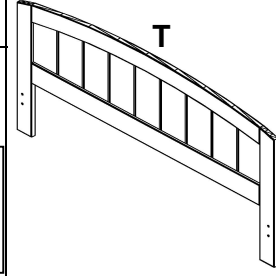
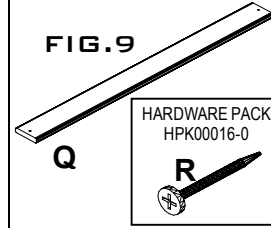
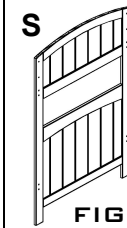
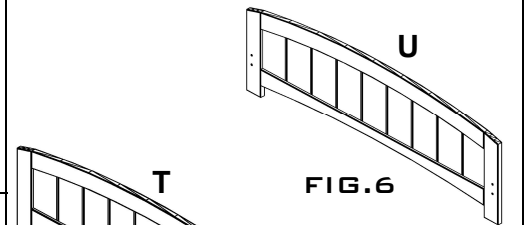
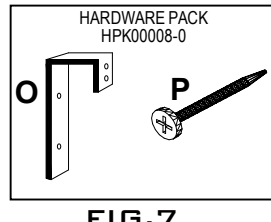
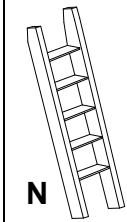
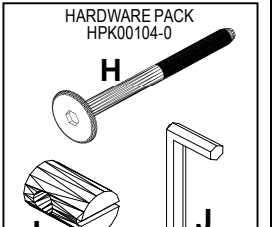
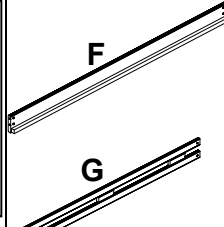
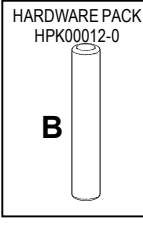
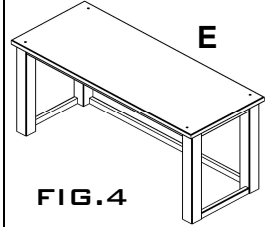
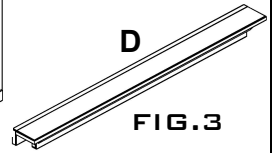
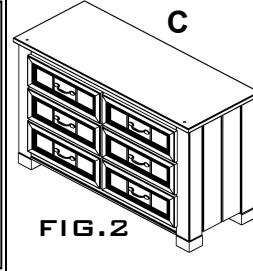
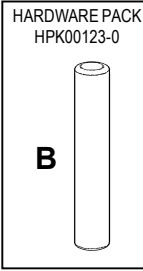
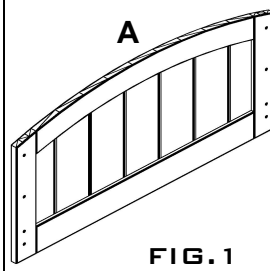
HARDWARE PACK (HPK00008-0)

O.- (2) METAL HOOK BRACKETS

P.- (6) 1" SCREWS

28-706 TWIN BUNKBED ENDS FIG.8

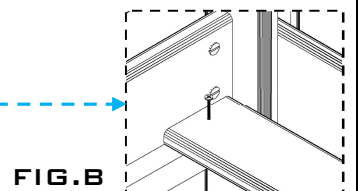
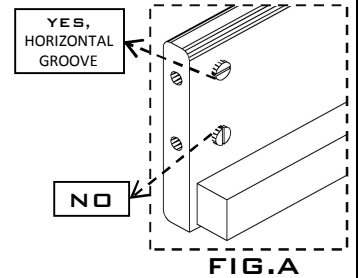
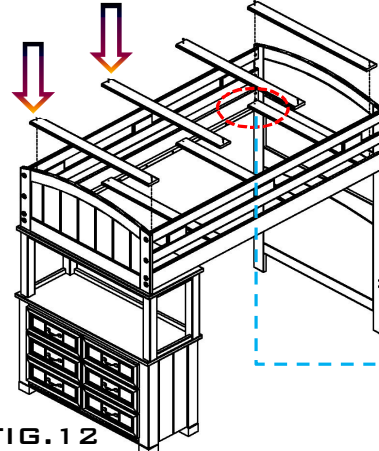
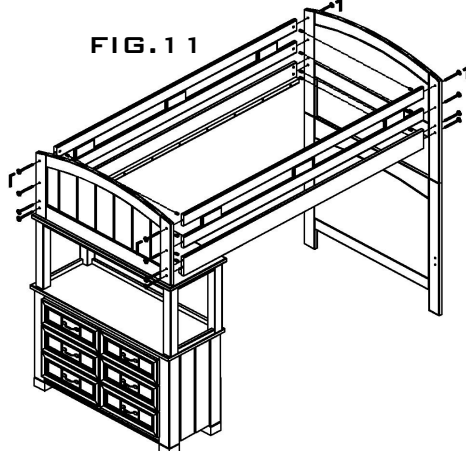
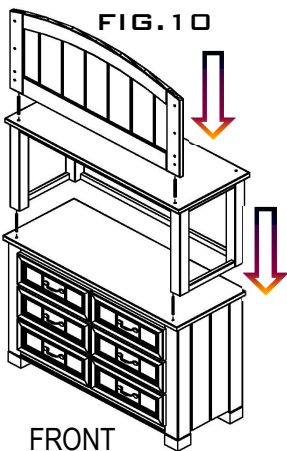
S.- (1) 1 PC BUNK BED END TWIN



100-645/646 TWIN/FULL SLATS FIG.9
Q.- (4) SLATS
HARDWARE PACK (HPK00016-0)
R.- (8) 1 1/4" SCREWS

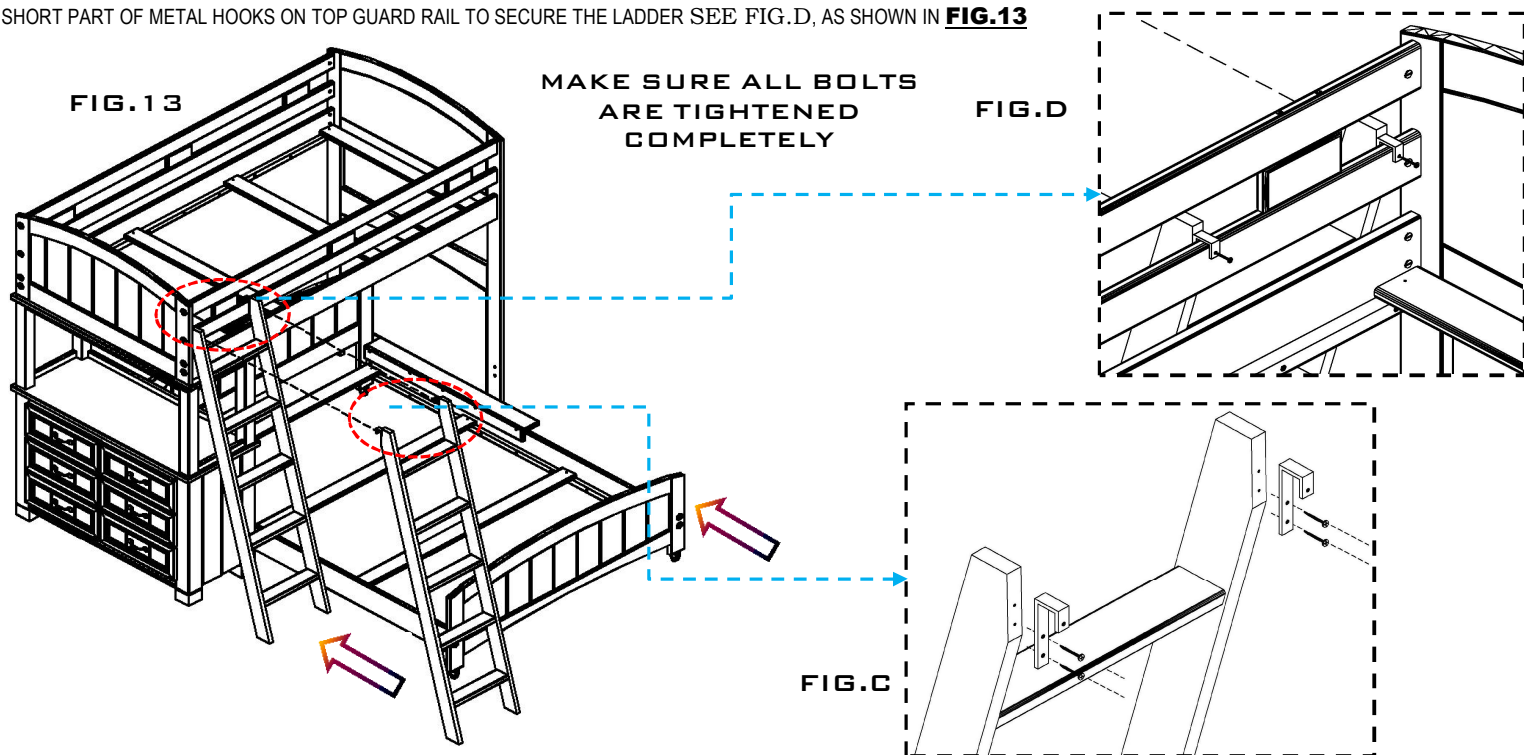
TOOLS NEEDED
PHILIPS HEAD SCREWDRIVER (NOT INCLUDED)
5MM ALLEN WRENCH (INCLUDED)

- 1.- ASSEMBLE **TOP BUNK BED**, USING ONE TOP BUNK BED END (A), ONE LOFT DRESSER (C), ONE LOFT HUTCH (E), TWO SIDE RAILS (F), AND TWO GUARD RAILS (G).
- 2.- TAKE LOFT DRESSER (C), AND PLACED IT IN THE ROOM'S DESIRED POSITION, PLACE IT FACING OUTWARDS.
- 3.- INSERT TWO DOWEL PINS (B) ON TOP IN EACH OUTSIDE CORNER OF LOFT DRESSER (C), TAKE THE LOFT HUTCH (E), AND PLACE IT ON TOP OF LOFT DRESSER ALIGNING METAL DOWEL PINS WITH EACH PRE-DRILLED HOLE IN BOTH ENDS UNTIL THE METAL DOWEL PINS ARE ALL IN, **SEE FIG.10**
- 4.- INSERT TWO CROSS DOWEL NUTS (I) IN ACCESS HOLE INSIDE SIDE RAIL & GUARD RAIL, ALIGN CROSS DOWEL NUT MAKE SURE THE GROOVE IS HORIZONTAL, **(FIG.A)**
- 5.- ATTACH TWO SIDE RAILS AND TWO GUARDRAILS TO DRESSER/HUTCH/TOP BUNK BED ASSEMBLY AND 1 PC BUNK BED END TWIN (S), INSERTING TWO FLAT BOLTS (H) INTO TOP BUNK BED AND 1 PC BUNK BED END TWIN HOLES, USE ALLEN WRENCH TO TIGHTEN BOLTS, (DO NO TIGHTEN COMPLETELY UNTIL ALL PIECES ARE CONNECTED TOGETHER), **FIG.11**
- 6.- PLACE FOUR SLATS (Q) ON TOP SIDE RAIL CLEATS, ONE SLAT IN BOTH ENDS, PUSH THE SLAT AGAINST THE BED END POST **(FIG.B)** AND TWO SLATS IN THE MIDDLE AT EQUAL DISTANCE FROM THE END SLATS, THEN EACH SLAT MUST BE FASTEN WITH TWO 1 1/4" SCREWS (S), **SEE FIG.12**



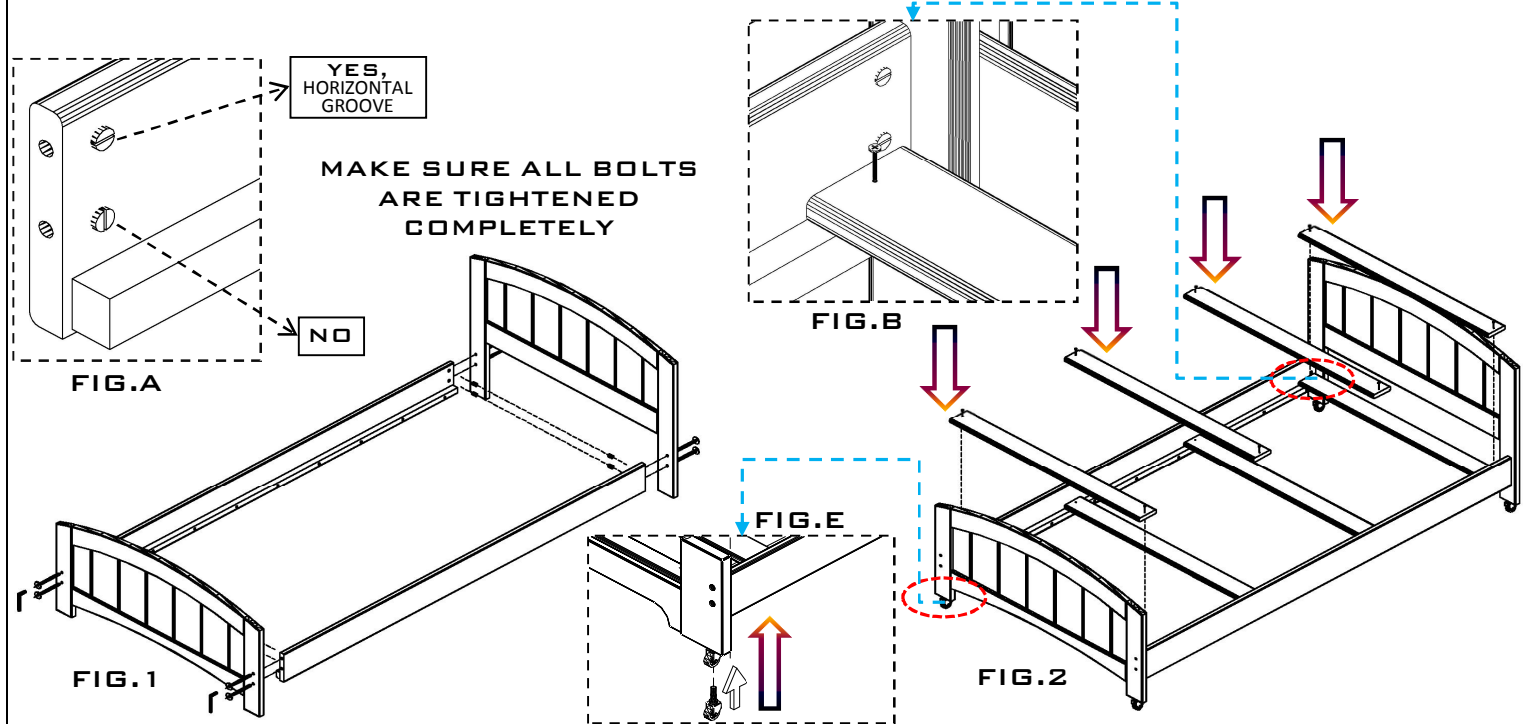
CANYON FURNITURE COMPANY
LADDER ASSEMBLY INSTRUCTIONS

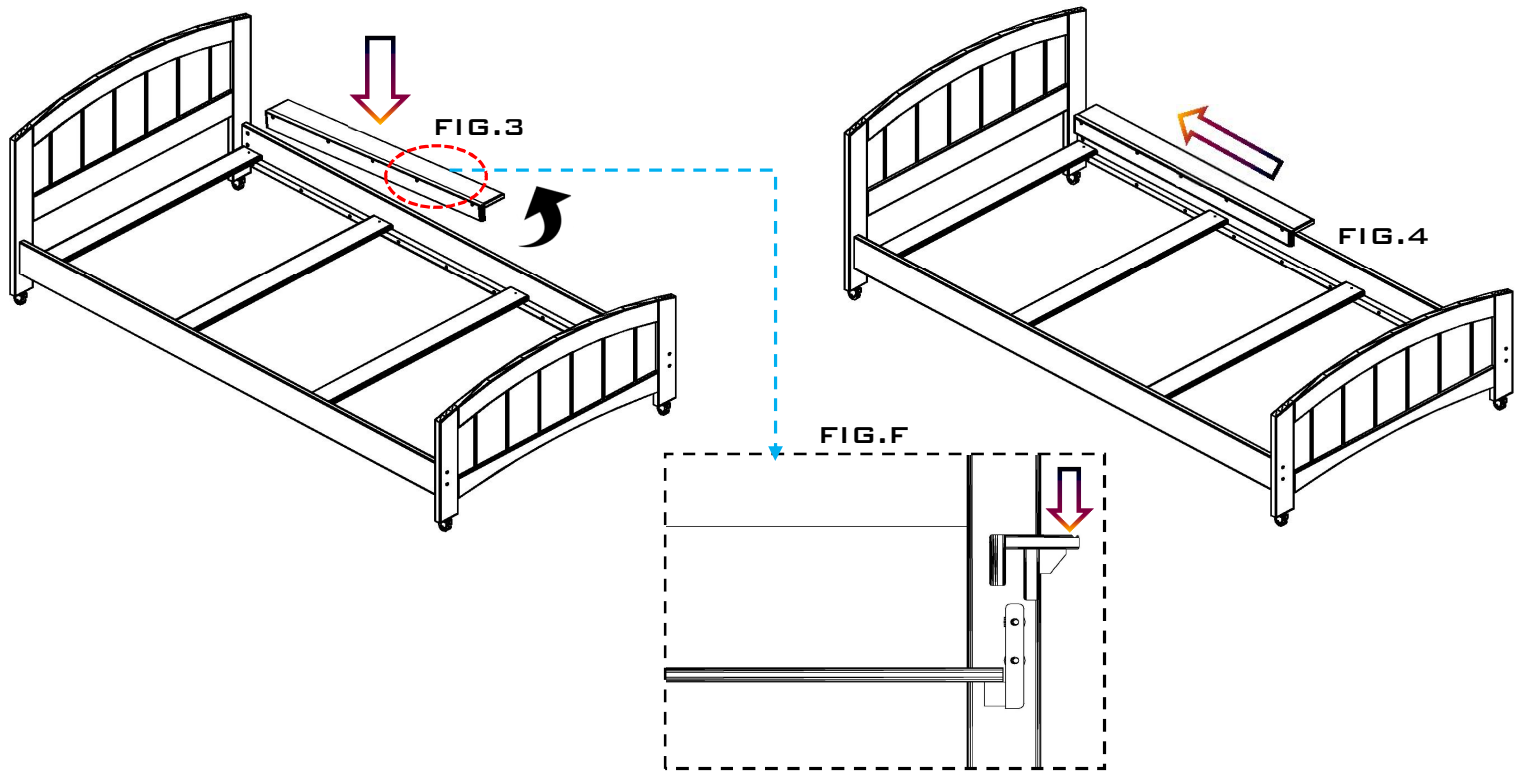
ALIGN THE PRE-DRILLED HOLES IN LONG PART OF METAL HOOKS BRACKETS (O) WITH THE PRE-DRILLED HOLES IN THE LADDER (N), SECURE WITH 1" SCREWS (P) USING PHILLIPS HEAD SCREWDRIVER (NOT INCLUDED). **SEE FIG.C** AND HOOK THE LADDER IN THE PROPER POSITION, ADJUST AND ALIGN THE PRE-DRILLED HOLES IN THE SHORT PART OF METAL HOOKS ON TOP GUARD RAIL TO SECURE THE LADDER **SEE FIG.D**, AS SHOWN IN **FIG.13**



FULL BOTTOM HDBD & FTBD AND RAIL CAP ASSEMBLY INSTRUCTIONS

- 1.- ASSEMBLE FULL BOTTOM HDBD & FTBD, USING ONE HEADBOARD (T), ONE FOOTBOARD (U) AND TWO SIDE RAILS (F).
- 2.- INSERT TWO CROSS DOWEL NUTS (I) IN ACCESS HOLE INSIDE THE SIDE RAIL, ALIGN THE CROSS DOWEL NUT, MAKE SURE THE GROOVE IS HORIZONTAL, **SEE FIG.A**
- 3.- ATTACH THE HDBD AND FTBD TO SIDE RAILS, INSERTING TWO FLAT HEAD BOLTS (H) INTO THE HEADBOARD & FOOTBOARD HOLES, USE THE 5MM ALLEN WRENCH (J) TO TIGHTEN BOLTS UNTIL SECURE, **SEE FIG.1**
- 4.- PLACE FOUR SLATS (Q) ON SIDE RAIL CLEATS, ONE SLAT IN BOTH ENDS, PUSH THE SLAT AGAINST THE BED END POST (**FIG.B**) AND TWO SLATS IN THE MIDDLE AT EQUAL DISTANCE FROM THE END SLATS, THEN EACH SLAT MUST BE FASTEN WITH TWO 1 1/4" SCREWS (R), **SEE FIG.2**
- 5.- INSERT THE CASTER (V) INTO BOTTOM CORNERS OF THE HEADBOARD & FOOTBOARD, **SEE FIG.E**
- 6.- WHEN PURCHASING FULL BOTTOM HEADBOARD & FOOTBOARD, WE RECOMMEND TO USE ONE RAIL CAP (D) (28-735), **SEE FIG.3**
- 7.- TO INSTALL THE RAIL CAP, PLACE IT AS **FIG.F**, MAKE SURE THE RAIL CAP IS INSERTED ALL THE WAY DOWN ON THE SIDE RAIL AND PUSHED TO THE HEADBOARD, (**FIG.4**)
- 8.- ROLL THE FULL BOTTOM HDBD & FTBD, AND PLACE IT BETWEEN LOFT DRESSER AND 1 PC BUNK BED END AS SHOWN IN **IN FIGURE 13**.





SAFETY WARNINGS

- 1.- FOLLOW THE INFORMATION ON THE WARNINGS APPEARING ON THE UPPER BUNK END STRUCTURE AND ON THE CARTON. DO NOT REMOVE WARNING LABEL FROM BED.
- 2.- ALWAYS USE THE RECOMMENDED SIZE MATTRESS OR MATTRESS SUPPORT, OR BOTH TO HELP PREVENT THE LIKELIHOOD OF ENTRAPMENT OR FALLS.
- 3.- SURFACE OF MATTRESS MUST BE AT LEAST 5 IN BELOW THE UPPER EDGE OF GUARDRAILS.
- 4.- DO NOT ALLOW CHILDREN UNDER 6 YEARS OF AGE TO USE THE UPPER BUNK.
- 5.- PROHIBIT MORE THAN ONE PERSON ON UPPER BUNK.
- 6.- PERIODICALLY CHECK AND ENSURE THAT THE GUARD RAIL, LADDER AND OTHER COMPONENTS ARE IN THEIR PROPER POSITION, **FREE FROM DAMAGE**, AND THAT ALL CONNECTORS ARE TIGHT.
- 7.- DO NOT ALLOW HORSEPLAY ON OR UNDER THE BED AND PROHIBIT JUMPING ON THE BED.
- 8.- ALWAYS USE THE LADDER FOR ENTERING AND LEAVING THE UPPER BUNK.
- 9.- DO NOT USE SUBSTITUTE PARTS. CONTACT THE MANUFACTURER OR DEALER FOR REPLACEMENT PARTS.
- 10.- USE OF A NIGHT LIGHT MAY PROVIDE ADDED SAFETY PRECAUTION FOR A CHILD USING THE UPPER BUNK.
- 11.- IF THE BUNK BED WILL BE PLACED NEXT TO THE WALL THE GUARD RAIL THAT RUNS THE FULL LENGTH OF THE BED SHOULD BE PLACED AGAINST THE WALL TO PREVENT ENTRAPMENT BETWEEN THE BED AND THE WALL.
- 12.- ALWAYS USE GUARDRAILS ON BOTH LONG SIDES OF THE UPPER BUNK.
- 13.- THE USE OF WATER OR SLEEP FLOTATION MATTRESSES IS PROHIBITED.
- 14.- **STRANGULATION HAZARD.** NEVER ATTACH OR HANG ITEMS TO ANY PART OF THE BUNK BED THAT ARE NOT DESIGNED FOR USE WITH THE BED, FOR EXAMPLE BUT NOT LIMITED TO HOOKS, BELTS AND JUMP ROPES.
- 15.- KEEP THESE INSTRUCTIONS FOR FUTURE REFERENCE.

SIZE OF MATTRESS AND FOUNDATION

THE UPPER & LOWER BUNK BED IS DESIGNED TO USE ONLY A MATTRESS WHICH IS **74" TO 75" LONG AND 37 1/2" TO 38 1/2" WIDE FOR TWIN BED.**
 WHEN THE LOWER BUNK BED IS A FULL BED, THE LOWER BUNK IS DESIGNED TO USE ONLY A MATTRESS WHICH IS **74" TO 75" LONG AND 52 1/2" X 53 1/2" WIDE.**
 THE BUNKIE BOARD IS REQUIRED TO **37 1/2" WIDE X 74" LONG FOR TWIN BED AND 52 1/2" WIDE X 74" LONG FOR FULL BED.**

NOTE: ENSURE THICKNESS OF MATTRESS AND FOUNDATION COMBINED DOES NOT EXCEED **10"** AND MATTRESS IS AT LEAST **5"** BELOW UPPER EDGE OF GUARDRAILS.

REPLACEMENT PARTS

REPLACEMENT PARTS, INCLUDING ADDITIONAL GUARDRAILS, MAY BE OBTAINED FROM ANY OF OUR CANYON FURNITURE COMPANY DEALERS.

(28-705) COTTAGE COLORS COLLECTION BUNK BED ASSEMBLY INSTRUCTIONS

THANK YOU FOR YOUR PURCHASE !

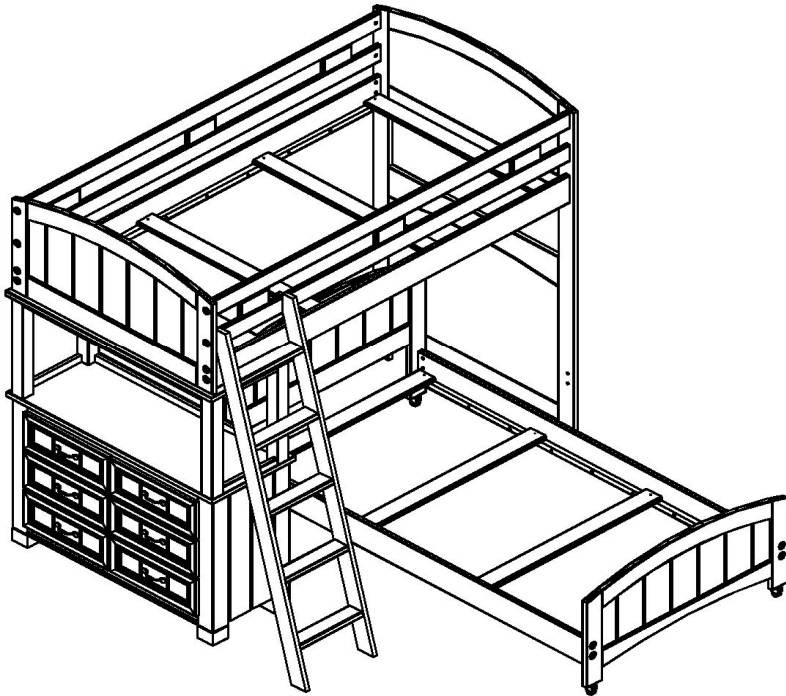
PLEASE CONTACT YOUR RETAIL STORE WITH SERVICE OR PARTS REPLACEMENT REQUEST

READ ALL THE INSTRUCTIONS AND IDENTIFY ALL COMPONENTS AND CHOOSE YOUR CONFIGURATION AND BE SURE YOU HAVE ALL PARTS

TWO PEOPLE ARE NEEDED TO ASSEMBLE.

DO NOT COMPLETELY TIGHTEN ALL BOLTS UNTIL ALL COMPONENTS ARE CONNECTED.

TWIN OVER TWIN LOFT BUNK WITH LOFT DRESSER



3662800P TWIN OVER TWIN LOFT BUNK WITH LOFT DRESSER (2800)

35628001	28W-705	TOP BUNK END
35528009	28W-706	TWIN BUNKBED ENDS
36228004	28W-707	TWIN BOTTOM HDBD&FTBD
36128002	28W-730	4 SIDE RLS/2 GUARD RLS
36028000	28W-766	LOFT HUTCH
35828005	28W-207	LOFT DRESSER
36428008	28W-720	LADDER
38000232	100-645	4PC TWIN SLAT PACK
38000232	100-645	4PC TWIN SLAT PACK

3662801P TWIN OVER TWIN LOFT BUNK WITH LOFT DRESSER (2801)

35628013	28B-705	TOP BUNK END
35528011	28B-706	TWIN BUNKBED ENDS
36228016	28B-707	TWIN BOTTOM HDBD&FTBD
36128014	28B-730	4 SIDE RLS/2 GUARD RLS
36028012	28B-766	LOFT HUTCH
35828017	28B-207	LOFT DRESSER
36428010	28B-720	LADDER
38000232	100-645	4PC TWIN SLAT PACK
38000232	100-645	4PC TWIN SLAT PACK

3662802P TWIN OVER TWIN LOFT BUNK WITH LOFT DRESSER (2802)

35628025	28J-705	TOP BUNK END
35528023	28J-706	TWIN BUNKBED ENDS
36228028	28J-707	TWIN BOTTOM HDBD&FTBD
36128026	28J-730	4 SIDE RLS/2 GUARD RLS
36028024	28J-766	LOFT HUTCH
35828029	28J-207	LOFT DRESSER
36428022	28J-720	LADDER
38000232	100-645	4PC TWIN SLAT PACK
38000232	100-645	4PC TWIN SLAT PACK

WARNING:

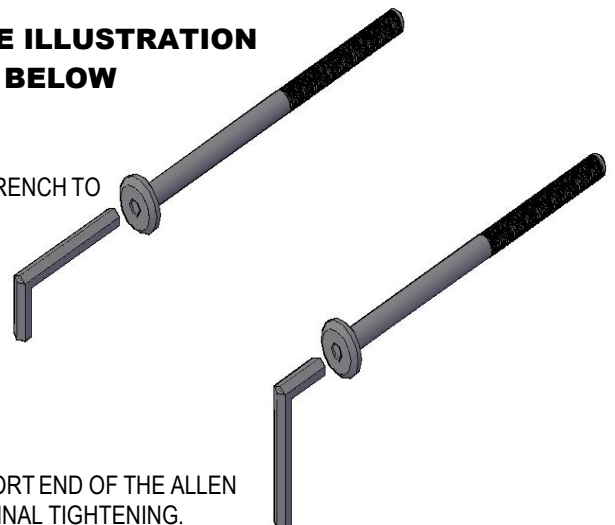
THE BED SLATS WILL NO SUPPORT A MATTRESS ALONE, A SLAT PACK OR A BUNKIE BOARD IS REQUIRED FOR PROPER SAFETY.

(NOT INCLUDED)

TO ASSEMBLE THIS BUNK BED REQUIRES TWO PERSONS

TIPS: SEE ILLUSTRATION BELOW

1.- USE THE LONG END OF THE ALLEN WRENCH TO FASTEN BOLTS LOOSELY AND QUICKLY.



2.- USE THE SHORT END OF THE ALLEN WRENCH FOR FINAL TIGHTENING.

MAKE SURE ALL BOLTS ARE TIGHTENED COMPLETELY

TWIN OVER TWIN LOFT BUNK WITH LOFT DRESSER ASSEMBLY INSTRUCTIONS

LIST OF CONTENTS

28-705 TOP BUNK END FIG.1

- A.- (1) TOP BUNK BED END
HARDWARE PACK (HPK00123-0)
- B.- (2) 4" METAL DOWEL PINS

28-207 LOFT DRESSER FIG.2

- C.- (1) LOFT DRESSER

28-766 LOFT HUTCH FIG.3

- E.- (1) LOFT HUTCH
HARDWARE PACK (HPK00012-0)
- B.- (2) 4" METAL DOWEL PINS

28-730 4 SIDE RLS/2 GUARD RLS FIG.4

- F.- (4) SIDE RAILS
G.- (2) GUARD RAILS
HARDWARE PACK (HPK00104-0)
- H.- (24) 80MM FLAT HEAD BOLTS
- I.- (24) 5/16"-18 X 5/8" CROSS DOWEL NUTS
- J.- (1) 5MM ALLEN WRENCH

28-707 TWIN BOTTOM HDBD & FTBD FIG.5

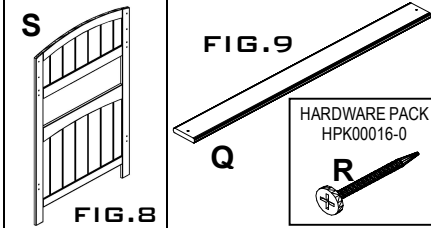
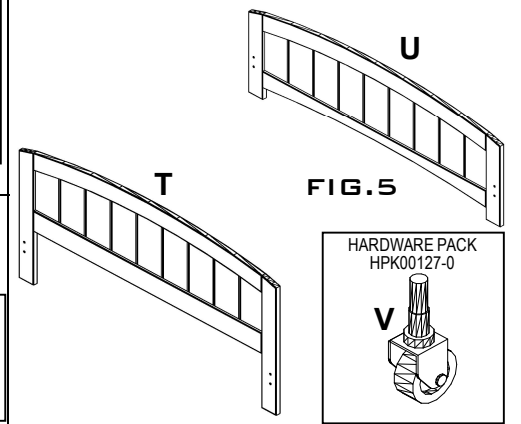
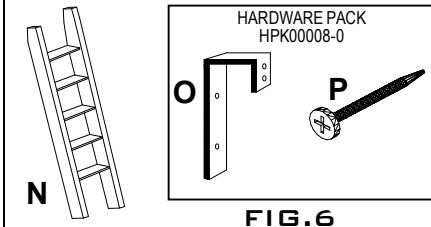
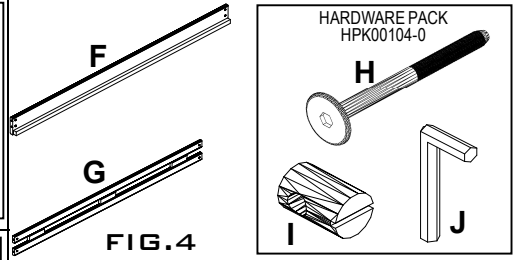
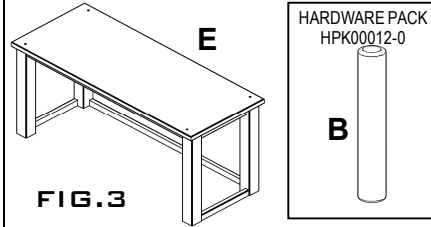
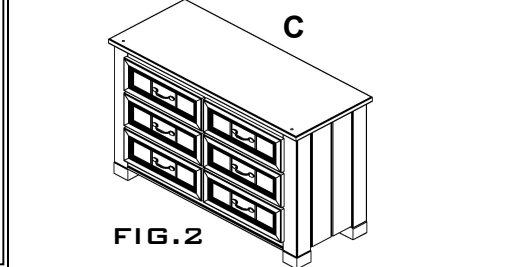
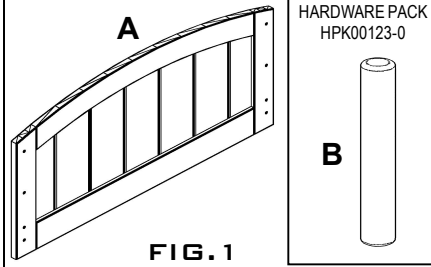
- T.- (1) HEADBOARD
U.- (1) FOOTBOARD
HARDWARE PACK (HPK00127-0)
- V.- (4) CASTERS

28-720 LADDER FIG.6

- N.- (1) LADDER
HARDWARE PACK (HPK00008-0)
- O.- (2) METAL HOOK BRACKETS
- P.- (6) 1" SCREWS

28-706 TWIN BUNKBED ENDS FIG.7

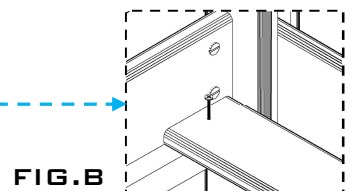
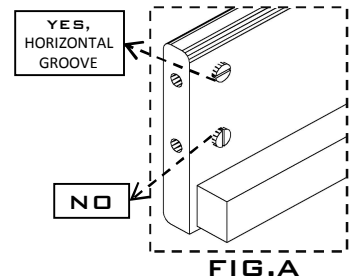
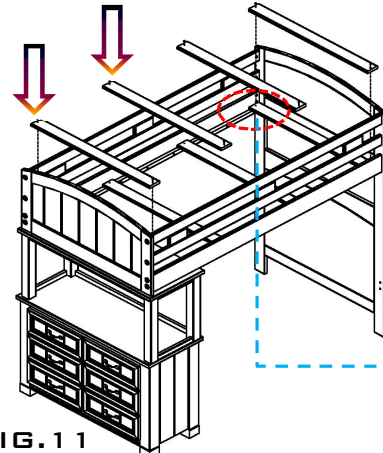
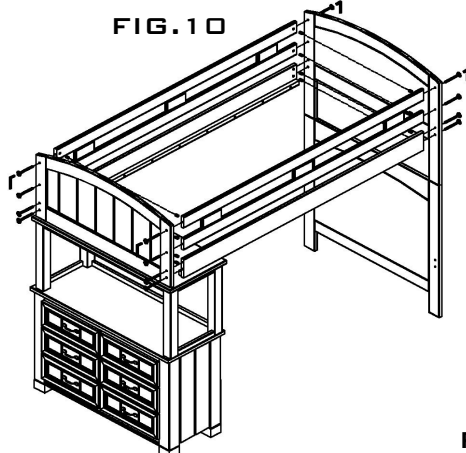
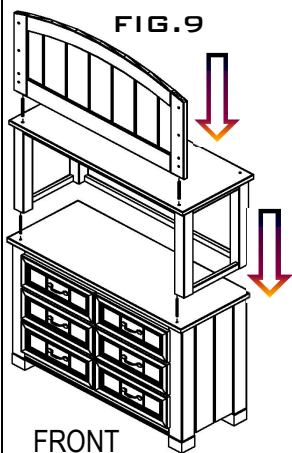
- S.- (1) 1 PC BUNK BED END TWIN



100-645 TWIN SLATS FIG.8 (2PCS)
Q.- (4) SLATS
HARDWARE PACK (HPK00016-0)
R.- (8) 1 1/4" SCREWS

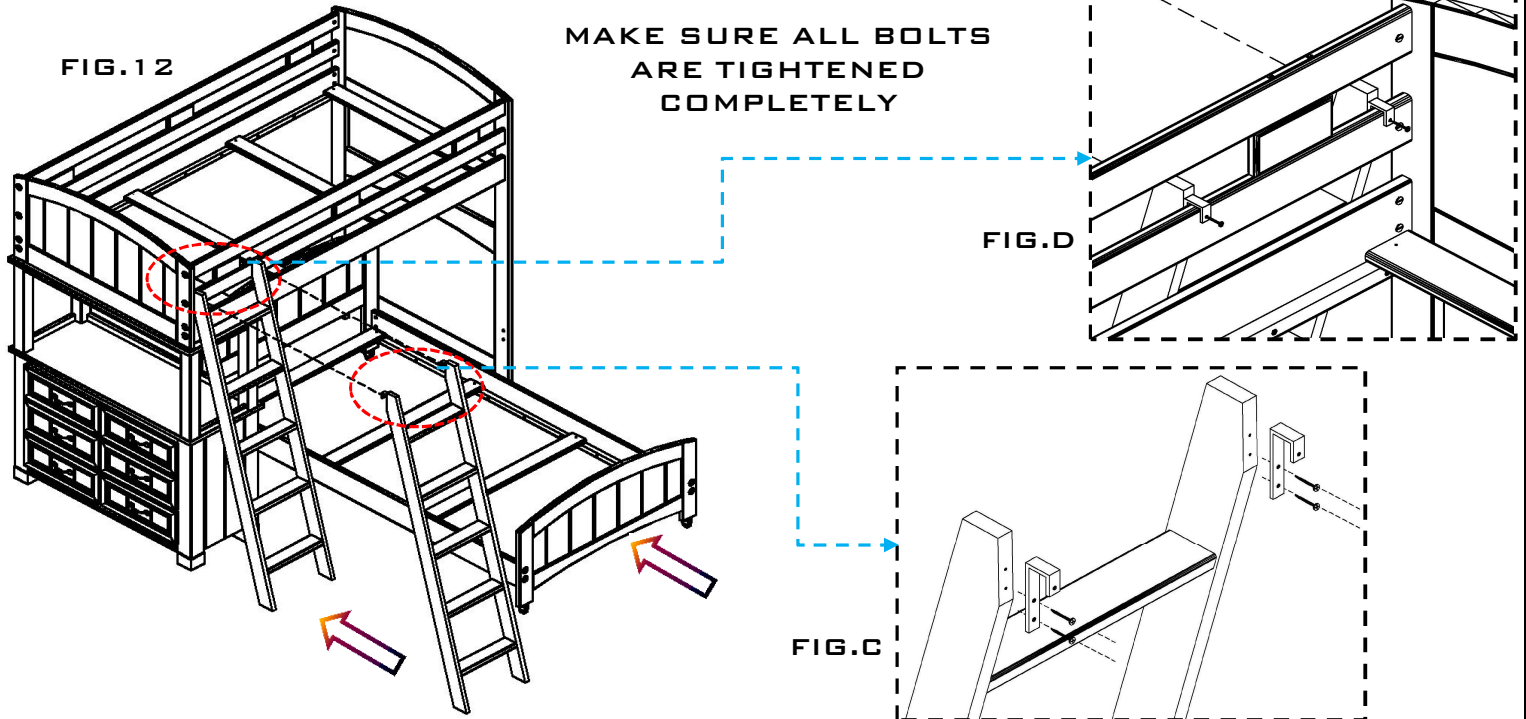
TOOLS NEEDED
PHILIPS HEAD SCREWDRIVER (NOT INCLUDED)
5MM ALLEN WRENCH (INCLUDED)

- 1.- ASSEMBLE **TOP BUNK BED**, USING ONE TOP BUNK BED END (A), ONE LOFT DRESSER (C), ONE LOFT HUTCH (E), TWO SIDE RAILS (F), AND TWO GUARD RAILS (G).
- 2.- TAKE LOFT DRESSER (C), AND PLACED IT IN THE ROOM'S DESIRED POSITION, PLACE IT FACING OUTWARDS.
- 3.- INSERT TWO DOWEL PINS (B) ON TOP IN EACH OUTSIDE CORNER OF LOFT DRESSER (C), TAKE THE LOFT HUTCH (E), AND PLACE IT ON TOP OF LOFT DRESSER ALIGNING METAL DOWEL PINS WITH EACH PRE-DRILLED HOLE IN BOTH ENDS UNTIL THE METAL DOWEL PINS ARE ALL IN, **SEE FIG.9**
- 4.- INSERT TWO CROSS DOWEL NUTS (I) IN ACCESS HOLE INSIDE SIDE RAIL & GUARD RAIL, ALIGN CROSS DOWEL NUT MAKE SURE THE GROOVE IS HORIZONTAL, **(FIG.A)**
- 5.- ATTACH TWO SIDE RAILS AND TWO GUARDRAILS TO DRESSER/HUTCH/TOP BUNK BED ASSEMBLY AND 1 PC BUNK BED END TWIN (S), INSERTING TWO FLAT BOLTS (H) INTO TOP BUNK BED AND 1 PC BUNK BED END TWIN HOLES, USE ALLEN WRENCH TO TIGHTEN BOLTS, (DO NOT TIGHTEN COMPLETELY UNTIL ALL PIECES ARE CONNECTED TOGETHER), **FIG.10**
- 6.- PLACE FOUR SLATS (Q) ON TOP SIDE RAIL CLEATS, ONE SLAT IN BOTH ENDS, PUSH THE SLAT AGAINST THE BED END POST **(FIG.B)** AND TWO SLATS IN THE MIDDLE AT EQUAL DISTANCE FROM THE END SLATS, THEN EACH SLAT MUST BE FASTEN WITH TWO 1 1/4" SCREWS (S), **SEE FIG.11**



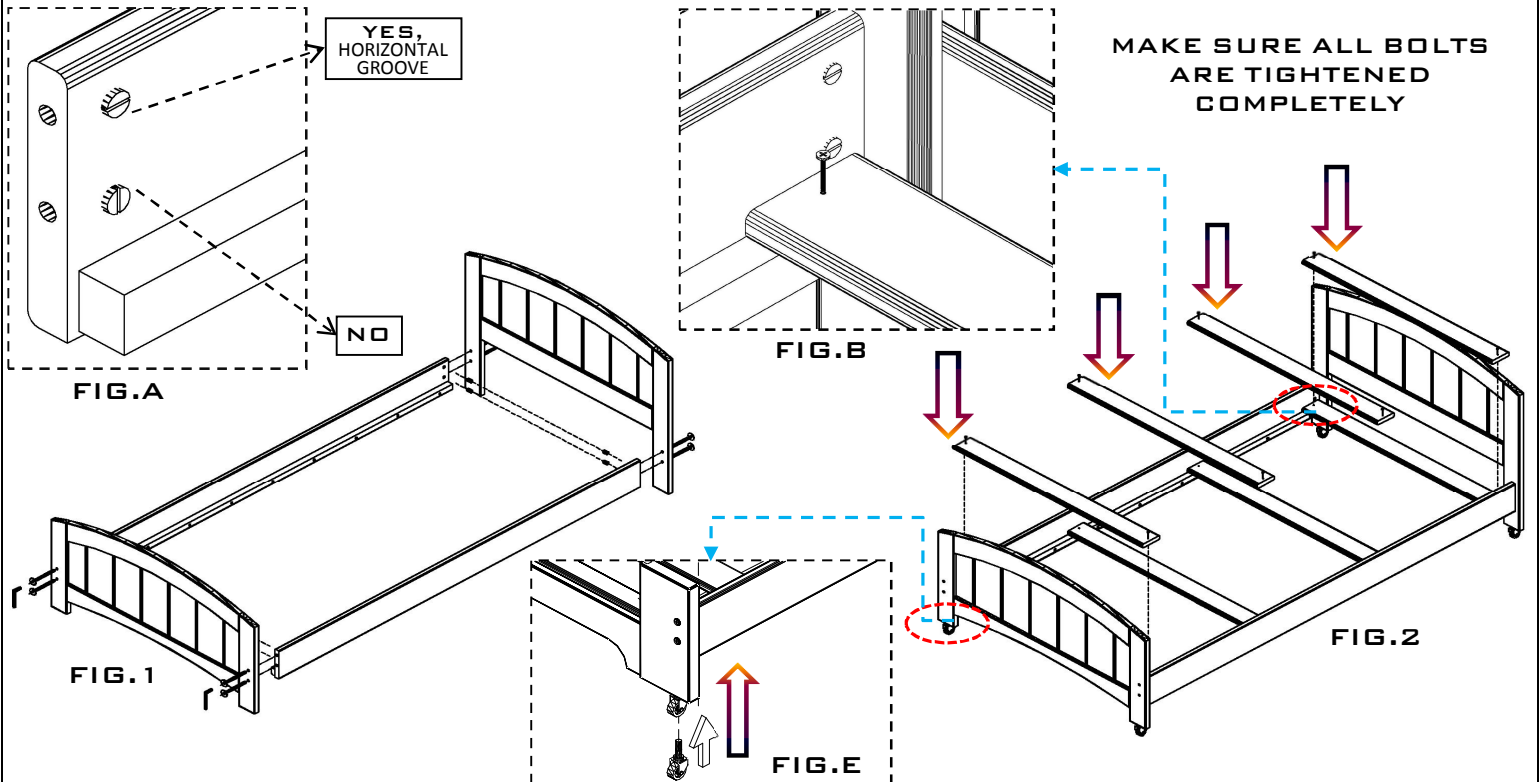
CANYON FURNITURE COMPANY
LADDER ASSEMBLY INSTRUCTIONS

ALIGN THE PRE-DRILLED HOLES IN LONG PART OF METAL HOOKS BRACKETS (O) WITH THE PRE-DRILLED HOLES IN THE LADDER (N), SECURE WITH 1" SCREWS (P) USING PHILLIPS HEAD SCREWDRIVER (NOT INCLUDED). **SEE FIG.C** AND HOOK THE LADDER IN THE PROPER POSITION, ADJUST AND ALIGN THE PRE-DRILLED HOLES IN THE SHORT PART OF METAL HOOKS ON TOP GUARD RAIL TO SECURE THE LADDER **SEE FIG.D**, AS SHOWN IN **FIG.12**



TWIN BOTTOM HDBD & FTBD ASSEMBLY INSTRUCTIONS

- 1.- ASSEMBLE TWIN BOTTOM HDBD & FTBD, USING ONE HEADBOARD (T), ONE FOOTBOARD (U) AND TWO SIDE RAILS (F).
- 2.- INSERT TWO CROSS DOWEL NUTS (I) IN ACCESS HOLE INSIDE THE SIDE RAIL, ALIGN THE CROSS DOWEL NUT, MAKE SURE THE GROOVE IS HORIZONTAL, **SEE FIG.A**
- 3.- ATTACH THE HDBD AND FTBD TO SIDE RAILS, INSERTING TWO FLAT HEAD BOLTS (H) INTO THE HEADBOARD & FOOTBOARD HOLES, USE THE 5MM ALLEN WRENCH (J) TO TIGHTEN BOLTS UNTIL SECURE, **SEE FIG.1**
- 4.- PLACE FOUR SLATS (Q) ON SIDE RAIL CLEATS, ONE SLAT IN BOTH ENDS, PUSH THE SLAT AGAINST THE BED END POST (**FIG.B**) AND TWO SLATS IN THE MIDDLE AT EQUAL DISTANCE FROM THE END SLATS, THEN EACH SLAT MUST BE FASTEN WITH TWO 1 1/4" SCREWS (R), **SEE FIG.2**
- 5.- INSERT THE CASTER (V) INTO BOTTOM CORNERS OF THE HEADBOARD & FOOTBOARD, **SEE FIG.E**
- 6.- ROLL THE TWIN BOTTOM HDBD & FTBD, AND PLACE IT BETWEEN LOFT DRESSER AND 1 PC BUNK BED END AS SHOWN **IN FIGURE.12**



SAFETY WARNINGS

- 1.- FOLLOW THE INFORMATION ON THE WARNINGS APPEARING ON THE UPPER BUNK END STRUCTURE AND ON THE CARTON. DO NOT REMOVE WARNING LABEL FROM BED.
- 2.- ALWAYS USE THE RECOMMENDED SIZE MATTRESS OR MATTRESS SUPPORT, OR BOTH TO HELP PREVENT THE LIKELIHOOD OF ENTRAPMENT OR FALLS.
- 3.- SURFACE OF MATTRESS MUST BE AT LEAST 5 IN BELOW THE UPPER EDGE OF GUARDRAILS.
- 4.- DO NOT ALLOW CHILDREN UNDER 6 YEARS OF AGE TO USE THE UPPER BUNK.
- 5.- PROHIBIT MORE THAN ONE PERSON ON UPPER BUNK.
- 6.- PERIODICALLY CHECK AND ENSURE THAT THE GUARD RAIL, LADDER AND OTHER COMPONENTS ARE IN THEIR PROPER POSITION, **FREE FROM DAMAGE**, AND THAT ALL CONNECTORS ARE TIGHT.
- 7.- DO NOT ALLOW HORSEPLAY ON OR UNDER THE BED AND PROHIBIT JUMPING ON THE BED.
- 8.- ALWAYS USE THE LADDER FOR ENTERING AND LEAVING THE UPPER BUNK.
- 9.- DO NOT USE SUBSTITUTE PARTS. CONTACT THE MANUFACTURER OR DEALER FOR REPLACEMENT PARTS.
- 10.- USE OF A NIGHT LIGHT MAY PROVIDE ADDED SAFETY PRECAUTION FOR A CHILD USING THE UPPER BUNK.
- 11.- IF THE BUNK BED WILL BE PLACED NEXT TO THE WALL THE GUARD RAIL THAT RUNS THE FULL LENGTH OF THE BED SHOULD BE PLACED AGAINST THE WALL TO PREVENT ENTRAPMENT BETWEEN THE BED AND THE WALL.
- 12.- ALWAYS USE GUARDRAILS ON BOTH LONG SIDES OF THE UPPER BUNK.
- 13.- THE USE OF WATER OR SLEEP FLOTATION MATTRESSES IS PROHIBITED.
- 14.- **STRANGULATION HAZARD.** NEVER ATTACH OR HANG ITEMS TO ANY PART OF THE BUNK BED THAT ARE NOT DESIGNED FOR USE WITH THE BED, FOR EXAMPLE BUT NOT LIMITED TO HOOKS, BELTS AND JUMP ROPES.
- 15.- KEEP THESE INSTRUCTIONS FOR FUTURE REFERENCE.

SIZE OF MATTRESS AND FOUNDATION

THE UPPER & LOWER BUNK BED IS DESIGNED TO USE ONLY A MATTRESS WHICH IS **74" TO 75" LONG AND 37 1/2" TO 38 1/2" WIDE FOR TWIN BED.**
 WHEN THE LOWER BUNK BED IS A FULL BED, THE LOWER BUNK IS DESIGNED TO USE ONLY A MATTRESS WHICH IS **74" TO 75" LONG AND 52 1/2" X 53 1/2" WIDE.**
 THE BUNKIE BOARD IS REQUIRED TO **37 1/2" WIDE X 74" LONG FOR TWIN BED AND 52 1/2" WIDE X 74" LONG FOR FULL BED.**

NOTE: ENSURE THICKNESS OF MATTRESS AND FOUNDATION COMBINED DOES NOT EXCEED **10"** AND MATTRESS IS AT LEAST **5"** BELOW UPPER EDGE OF GUARDRAILS.

REPLACEMENT PARTS

REPLACEMENT PARTS, INCLUDING ADDITIONAL GUARDRAILS, MAY BE OBTAINED FROM ANY OF OUR CANYON FURNITURE COMPANY DEALERS.

(28-705) COTTAGE COLORS COLLECTION BUNK BED ASSEMBLY INSTRUCTIONS

THANK YOU FOR YOUR PURCHASE !

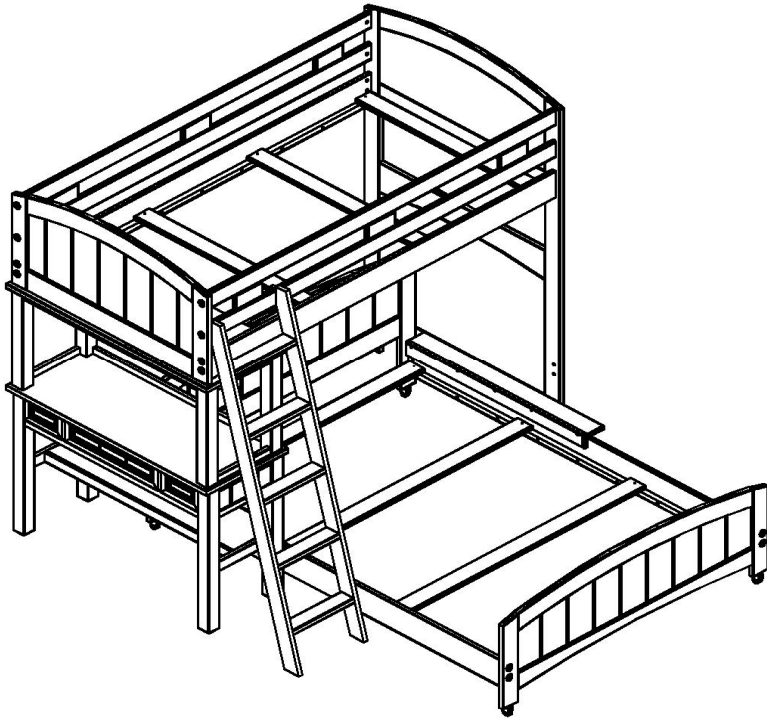
PLEASE CONTACT YOUR RETAIL STORE WITH SERVICE OR PARTS REPLACEMENT REQUEST

READ ALL THE INSTRUCTIONS AND IDENTIFY ALL COMPONENTS AND CHOOSE YOUR CONFIGURATION AND BE SURE YOU HAVE ALL PARTS

TWO PEOPLE ARE NEEDED TO ASSEMBLE.

DO NOT COMPLETELY TIGHTEN ALL BOLTS UNTIL ALL COMPONENTS ARE CONNECTED.

TWIN OVER FULL LOFT BUNK WITH LOFT DESK



3672800P TWIN OVER FULL LOFT BUNK WITH LOFT DESK (2800)

- 35628001 28W-705 TOP BUNK END
- 35528009 28W-706 TWIN BUNKBED ENDS
- 36328006 28W-709 FULL BOTTOM HDBD&FTBD
- 36128002 28W-730 4 SIDE RLS/2 GUARD RLS
- 36028000 28W-766 LOFT HUTCH
- 35928007 28W-603 LOFT DESK
- 36428008 28W-720 LADDER
- 36828006 28W-735 RAIL CAP
- 38000232 100-645 4PC TWIN SLAT PACK
- 38100234 100-646 4PC FULL SLAT PACK

3672801P TWIN OVER FULL LOFT BUNK WITH LOFT DESK (2801)

- 35628013 28B-705 TOP BUNK END
- 35528011 28B-706 TWIN BUNKBED ENDS
- 36328018 28B-709 FULL BOTTOM HDBD&FTBD
- 36128014 28B-730 4 SIDE RLS/2 GUARD RLS
- 36028012 28B-766 LOFT HUTCH
- 35928019 28B-603 LOFT DESK
- 36428010 28B-720 LADDER
- 36828018 28B-735 RAIL CAP
- 38000232 100-645 4PC TWIN SLAT PACK
- 38100234 100-646 4PC FULL SLAT PACK

3672802P TWIN OVER FULL LOFT BUNK WITH LOFT DESK (2802)

- 35628025 28J-705 TOP BUNK END
- 35528023 28J-706 TWIN BUNKBED ENDS
- 36328020 28J-709 FULL BOTTOM HDBD&FTBD
- 36128026 28J-730 4 SIDE RLS/2 GUARD RLS
- 36028024 28J-766 LOFT HUTCH
- 35928021 28J-603 LOFT DESK
- 36428022 28J-720 LADDER
- 36828020 28J-735 RAIL CAP
- 38000232 100-645 4PC TWIN SLAT PACK
- 38100234 100-646 4PC FULL SLAT PACK

WARNING:

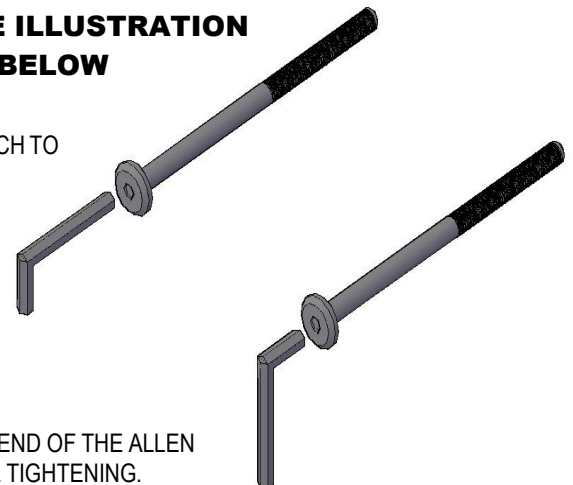
THE BED SLATS WILL NO SUPPORT A MATTRESS ALONE, A SLAT PACK OR A BUNKIE BOARD IS REQUIRED FOR PROPER SAFETY.

(NOT INCLUDED)

TO ASSEMBLE THIS BUNK BED REQUIRES TWO PERSONS

TIPS: SEE ILLUSTRATION BELOW

1.- USE THE LONG END OF THE ALLEN WRENCH TO FASTEN BOLTS LOOSELY AND QUICKLY.



2.- USE THE SHORT END OF THE ALLEN WRENCH FOR FINAL TIGHTENING.

MAKE SURE ALL BOLTS ARE TIGHTENED COMPLETELY

TWIN OVER FULL LOFT BUNK WITH LOFT DESK ASSEMBLY INSTRUCTIONS

LIST OF CONTENTS

28-705 TOP BUNK END FIG.1

- A.- (1) TOP BUNK BED END
HARDWARE PACK (HPK00123-0)
- B.- (2) 4" METAL DOWEL PINS

28-603 LOFT DESK FIG.2

- W.- (1) LOFT DESK

28-735 RAIL CAP FIG.3

- D.- (1) RAIL CAP

28-766 LOFT HUTCH FIG.4

- E.- (1) LOFT HUTCH
HARDWARE PACK (HPK00012-0)
- B.- (2) 4" METAL DOWEL PINS

28-730 4 SIDE RLS/2 GUARD RLS FIG.5

- F.- (4) SIDE RAILS
HARDWARE PACK (HPK00104-0)
- G.- (2) GUARD RAILS

- H.- (24) 80MM FLAT HEAD BOLTS
- I.- (24) 5/16"-18 X 5/8" CROSS DOWEL NUTS
- J.- (1) 5MM ALLEN WRENCH

28-709 FULL BOTTOM HDBD & FTBD FIG.6

- T.- (1) HEADBOARD
HARDWARE PACK (HPK00127-0)
- U.- (1) FOOTBOARD

- V.- (4) CASTERS

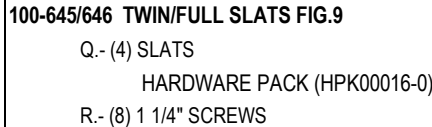
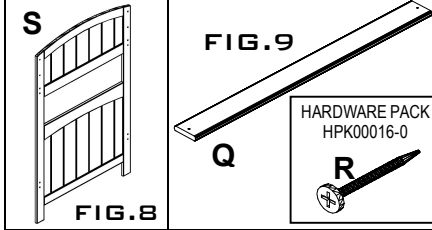
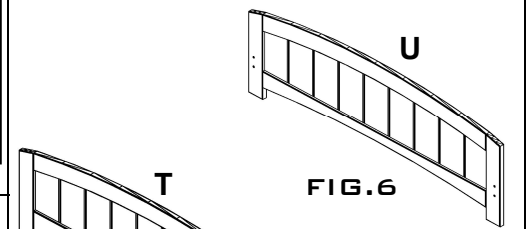
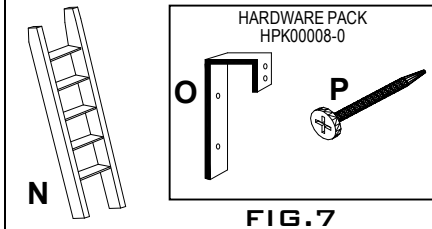
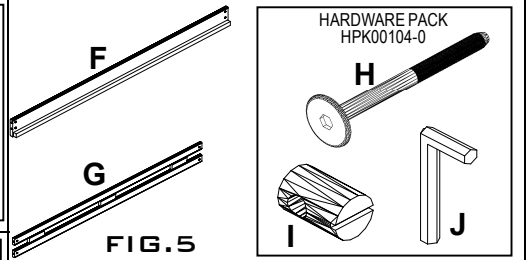
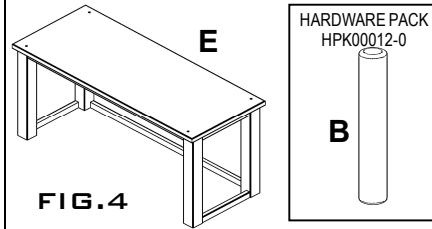
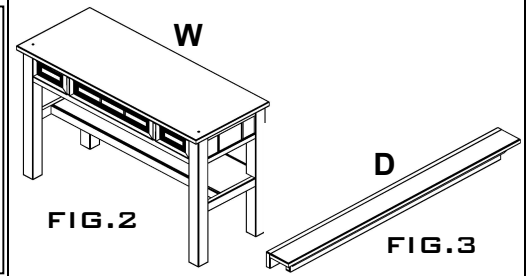
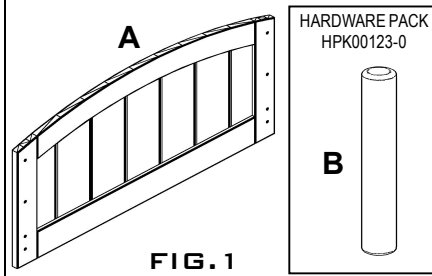
28-720 LADDER FIG.7

- N.- (1) LADDER
HARDWARE PACK (HPK00008-0)
- O.- (2) METAL HOOK BRACKETS

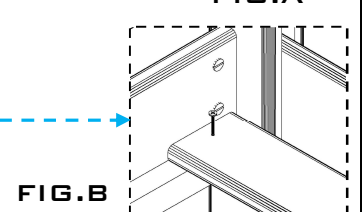
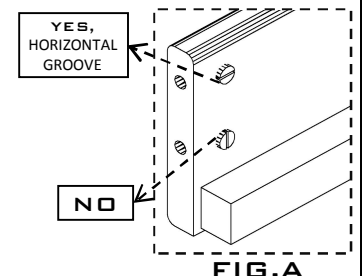
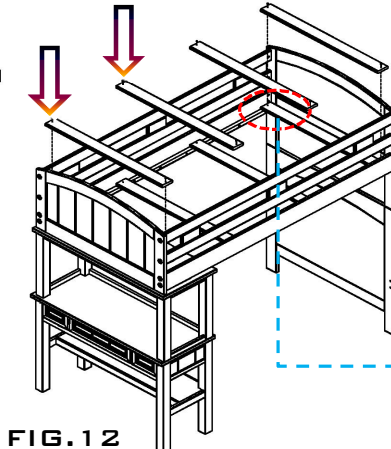
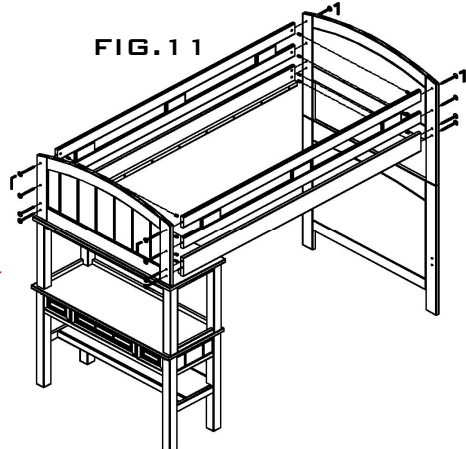
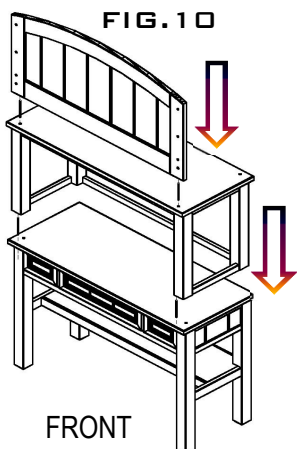
- P.- (6) 1" SCREWS

28-706 TWIN BUNKBED ENDS FIG.8

- S.- (1) 1 PC BUNK BED END TWIN

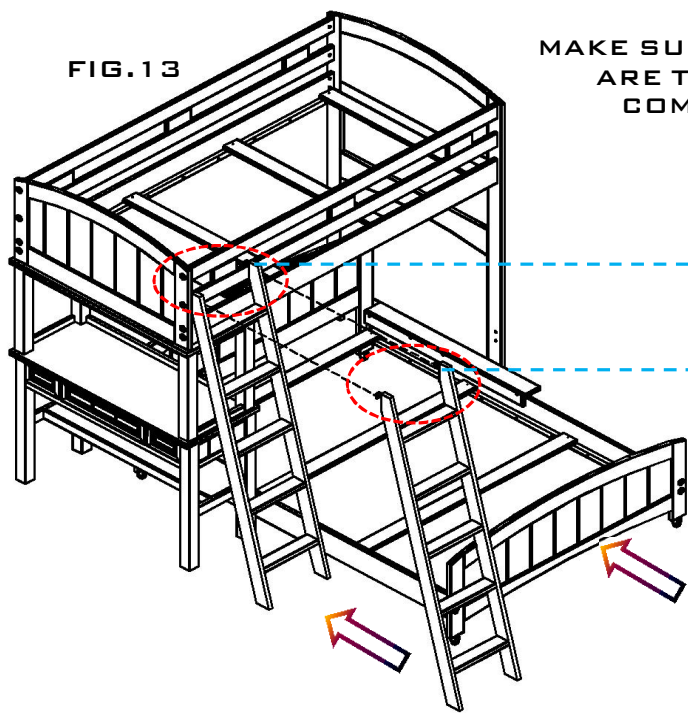


- 1.- ASSEMBLE **TOP BUNK BED**, USING ONE TOP BUNK BED END (A), ONE LOFT DESK (W), ONE LOFT HUTCH (E), TWO SIDE RAILS (F), AND TWO GUARD RAILS (G).
- 2.- TAKE LOFT DESK (W), AND PLACED IT IN THE ROOM'S DESIRED POSITION, PLACE IT FACING OUTWARDS.
- 3.- INSERT TWO DOWEL PINS (B) ON TOP IN EACH OUTSIDE CORNER OF LOFT DESK (W), TAKE THE LOFT HUTCH (E), AND PLACE IT ON TOP OF LOFT DESK ALIGNING METAL DOWEL PINS WITH EACH PRE-DRILLED HOLE IN BOTH ENDS UNTIL THE METAL DOWEL PINS ARE ALL IN, **SEE FIG.10**
- 4.- INSERT TWO CROSS DOWEL NUTS (I) IN ACCESS HOLE INSIDE SIDE RAIL & GUARD RAIL, ALIGN CROSS DOWEL NUT MAKE SURE THE GROOVE IS HORIZONTAL, **(FIG.A)**
- 5.- ATTACH TWO SIDE RAILS AND TWO GUARD RAILS TO DESK/HUTCH/TOP BUNK BED ASSEMBLY AND 1 PC BUNK BED END TWIN (S), INSERTING TWO FLAT BOLTS (H) INTO TOP BUNK BED AND 1 PC BUNK BED END TWIN HOLES, USE ALLEN WRENCH TO TIGHTEN BOLTS, (DO NO TIGHTEN COMPLETELY UNTIL ALL PIECES ARE CONNECTED TOGETHER), **FIG.11**
- 6.- PLACE FOUR SLATS (Q) ON TOP SIDE RAIL CLEATS, ONE SLAT IN BOTH ENDS, PUSH THE SLAT AGAINST THE BED END POST **(FIG.B)** AND TWO SLATS IN THE MIDDLE AT EQUAL DISTANCE FROM THE END SLATS, THEN EACH SLAT MUST BE FASTEN WITH TWO 1 1/4" SCREWS (S), **SEE FIG.12**



CANYON FURNITURE COMPANY
LADDER ASSEMBLY INSTRUCTIONS

ALIGN THE PRE-DRILLED HOLES IN LONG PART OF METAL HOOKS BRACKETS (O) WITH THE PRE-DRILLED HOLES IN THE LADDER (N), SECURE WITH 1" SCREWS (P) USING PHILLIPS HEAD SCREWDRIVER (NOT INCLUDED). **SEE FIG.C** AND HOOK THE LADDER IN THE PROPER POSITION, ADJUST AND ALIGN THE PRE-DRILLED HOLES IN THE SHORT PART OF METAL HOOKS ON TOP GUARD RAIL TO SECURE THE LADDER **SEE FIG.D**, AS SHOWN IN **FIG.13**



MAKE SURE ALL BOLTS
ARE TIGHTENED
COMPLETELY

FIG.D

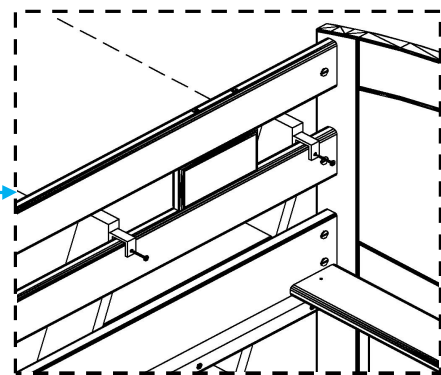
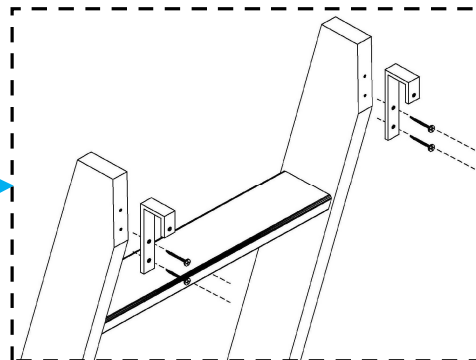
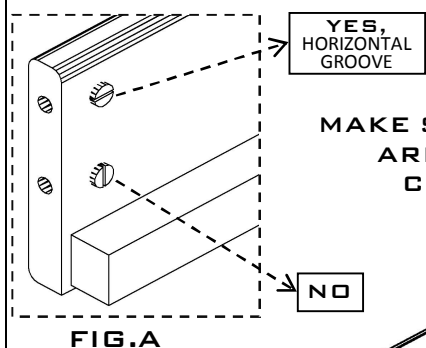


FIG.C



FULL BOTTOM HDBD & FTBD AND RAIL CAP ASSEMBLY INSTRUCTIONS

- 1.- ASSEMBLE FULL BOTTOM HDBD & FTBD, USING ONE HEADBOARD (T), ONE FOOTBOARD (U) AND TWO SIDE RAILS (F).
- 2.- INSERT TWO CROSS DOWEL NUTS (I) IN ACCESS HOLE INSIDE THE SIDE RAIL, ALIGN THE CROSS DOWEL NUT MAKE SURE THE GROOVE IS HORIZONTAL, **SEE FIG.A**
- 3.- ATTACH THE HDBD AND FTBD TO SIDE RAILS, INSERTING TWO FLAT HEAD BOLTS (H) INTO THE HEADBOARD & FOOTBOARD HOLES, USE THE 5MM ALLEN WRENCH (J) TO TIGHTEN BOLTS UNTIL SECURE, **SEE FIG.1**
- 4.- PLACE FOUR SLATS (Q) ON SIDE RAIL CLEATS, ONE SLAT IN BOTH ENDS, PUSH THE SLAT AGAINST THE BED END POST (**FIG.B**) AND TWO SLATS IN THE MIDDLE AT EQUAL DISTANCE FROM THE END SLATS, THEN EACH SLAT MUST BE FASTEN WITH TWO 1 1/4" SCREWS (R). **SEE FIG.2**
- 5.- INSERT THE CASTER (V) INTO BOTTOM CORNERS OF THE HEADBOARD & FOOTBOARD, **SEE FIG.E**
- 6.- WHEN PURCHASING FULL BOTTOM HEADBOARD & FOOTBOARD, WE RECOMMEND TO USE ONE RAIL CAP (D) (28-735), **SEE FIG.3**
- 7.- TO INSTALL THE RAIL CAP, PLACE IT AS **FIG.F**, MAKE SURE THE RAIL CAP IS INSERTED ALL THE WAY DOWN ON THE SIDE RAIL AND PUSHED TO THE HEADBOARD, (**FIG.4**)
- 8.- ROLL THE FULL BOTTOM HDBD & FTBD, AND PLACE IT BETWEEN LOFT DESK AND 1 PC BUNK BED END AS SHOWN IN **IN FIGURE 13**.



MAKE SURE ALL BOLTS
ARE TIGHTENED
COMPLETELY

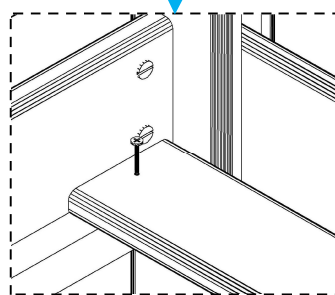


FIG.B

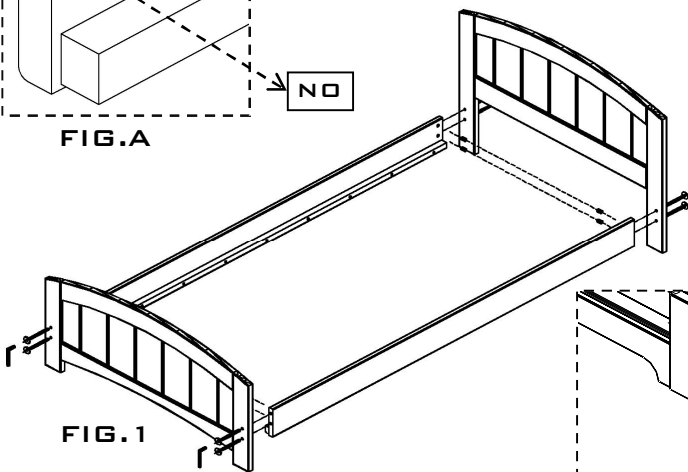


FIG.1

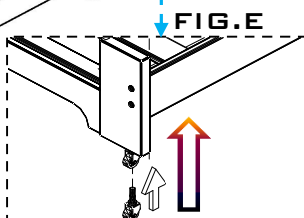


FIG.E

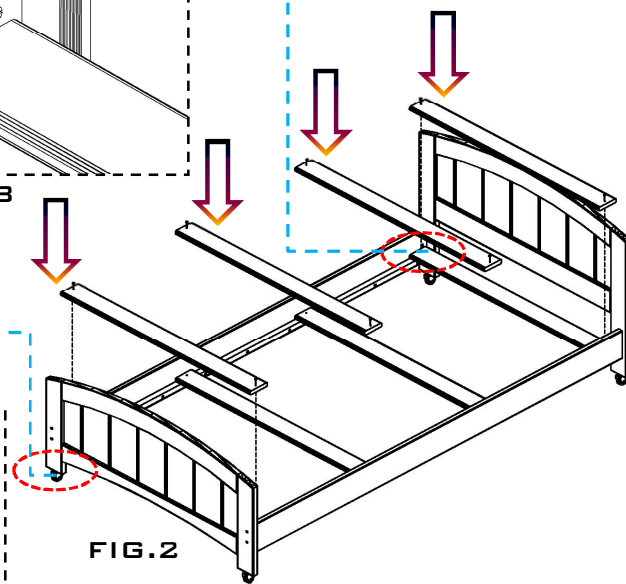
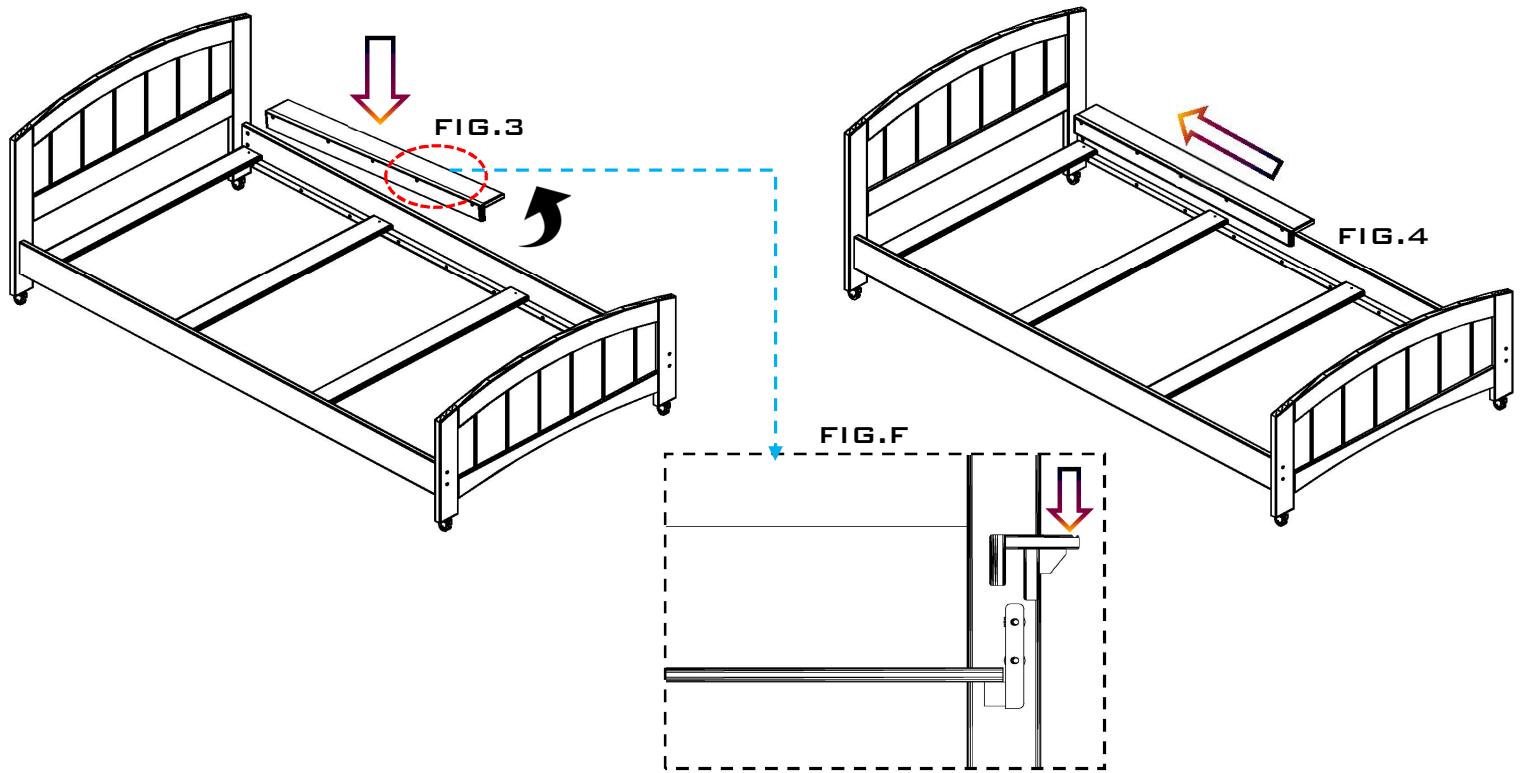


FIG.2



SAFETY WARNINGS

- 1.- FOLLOW THE INFORMATION ON THE WARNINGS APPEARING ON THE UPPER BUNK END STRUCTURE AND ON THE CARTON. DO NOT REMOVE WARNING LABEL FROM BED.
- 2.- ALWAYS USE THE RECOMMENDED SIZE MATTRESS OR MATTRESS SUPPORT, OR BOTH TO HELP PREVENT THE LIKELIHOOD OF ENTRAPMENT OR FALLS.
- 3.- SURFACE OF MATTRESS MUST BE AT LEAST 5 IN BELOW THE UPPER EDGE OF GUARDRAILS.
- 4.- DO NOT ALLOW CHILDREN UNDER 6 YEARS OF AGE TO USE THE UPPER BUNK.
- 5.- PROHIBIT MORE THAN ONE PERSON ON UPPER BUNK.
- 6.- PERIODICALLY CHECK AND ENSURE THAT THE GUARD RAIL, LADDER AND OTHER COMPONENTS ARE IN THEIR PROPER POSITION, **FREE FROM DAMAGE**, AND THAT ALL CONNECTORS ARE TIGHT.
- 7.- DO NOT ALLOW HORSEPLAY ON OR UNDER THE BED AND PROHIBIT JUMPING ON THE BED.
- 8.- ALWAYS USE THE LADDER FOR ENTERING AND LEAVING THE UPPER BUNK.
- 9.- DO NOT USE SUBSTITUTE PARTS. CONTACT THE MANUFACTURER OR DEALER FOR REPLACEMENT PARTS.
- 10.- USE OF A NIGHT LIGHT MAY PROVIDE ADDED SAFETY PRECAUTION FOR A CHILD USING THE UPPER BUNK.
- 11.- IF THE BUNK BED WILL BE PLACED NEXT TO THE WALL THE GUARD RAIL THAT RUNS THE FULL LENGTH OF THE BED SHOULD BE PLACED AGAINST THE WALL TO PREVENT ENTRAPMENT BETWEEN THE BED AND THE WALL.
- 12.- ALWAYS USE GUARDRAILS ON BOTH LONG SIDES OF THE UPPER BUNK.
- 13.- THE USE OF WATER OR SLEEP FLOTATION MATTRESSES IS PROHIBITED.
- 14.- **STRANGULATION HAZARD.** NEVER ATTACH OR HANG ITEMS TO ANY PART OF THE BUNK BED THAT ARE NOT DESIGNED FOR USE WITH THE BED, FOR EXAMPLE BUT NOT LIMITED TO HOOKS, BELTS AND JUMP ROPES.
- 15.- KEEP THESE INSTRUCTIONS FOR FUTURE REFERENCE.

SIZE OF MATTRESS AND FOUNDATION

THE UPPER & LOWER BUNK BED IS DESIGNED TO USE ONLY A MATTRESS WHICH IS **74" TO 75" LONG AND 37 1/2" TO 38 1/2" WIDE FOR TWIN BED.**
 WHEN THE LOWER BUNK BED IS A FULL BED, THE LOWER BUNK IS DESIGNED TO USE ONLY A MATTRESS WHICH IS **74" TO 75" LONG AND 52 1/2" X 53 1/2" WIDE.**
 THE BUNKIE BOARD IS REQUIRED TO **37 1/2" WIDE X 74" LONG FOR TWIN BED AND 52 1/2" WIDE X 74" LONG FOR FULL BED.**

NOTE: ENSURE THICKNESS OF MATTRESS AND FOUNDATION COMBINED DOES NOT EXCEED **10"** AND MATTRESS IS AT LEAST **5"** BELOW UPPER EDGE OF GUARDRAILS.

REPLACEMENT PARTS

REPLACEMENT PARTS, INCLUDING ADDITIONAL GUARDRAILS, MAY BE OBTAINED FROM ANY OF OUR CANYON FURNITURE COMPANY DEALERS.

(28-705) COTTAGE COLORS COLLECTION BUNK BED ASSEMBLY INSTRUCTIONS

THANK YOU FOR YOUR PURCHASE !

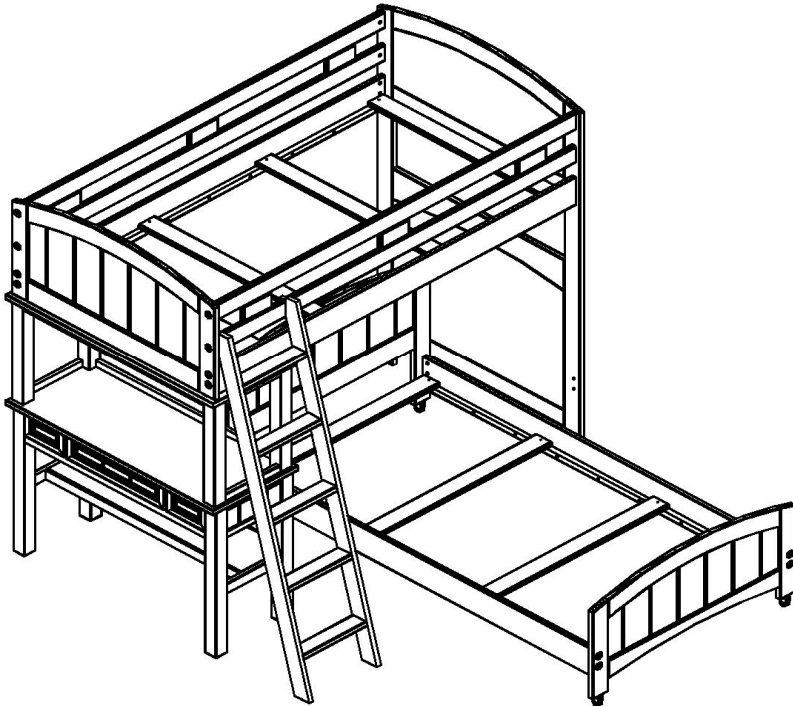
PLEASE CONTACT YOUR RETAIL STORE WITH SERVICE OR PARTS REPLACEMENT REQUEST

READ ALL THE INSTRUCTIONS AND IDENTIFY ALL COMPONENTS AND CHOOSE YOUR CONFIGURATION AND BE SURE YOU HAVE ALL PARTS

TWO PEOPLE ARE NEEDED TO ASSEMBLE.

DO NOT COMPLETELY TIGHTEN ALL BOLTS UNTIL ALL COMPONENTS ARE CONNECTED.

TWIN OVER TWIN LOFT BUNK WITH LOFT DESK



3582800P TWIN OVER TWIN LOFT BUNK WITH LOFT DESK (2800)

35628001	28W-705	TOP BUNK END
35528009	28W-706	TWIN BUNKBED ENDS
36228004	28W-707	TWIN BOTTOM HDBD&FTBD
36128002	28W-730	4 SIDE RLS/2 GUARD RLS
36028000	28W-766	LOFT HUTCH
35928007	28W-603	LOFT DESK
36428008	28W-720	LADDER
38000232	100-645	4PC TWIN SLAT PACK
38000232	100-645	4PC TWIN SLAT PACK

3582801P TWIN OVER TWIN LOFT BUNK WITH LOFT DESK (2801)

35628013	28B-705	TOP BUNK END
35528011	28B-706	TWIN BUNKBED ENDS
36228016	28B-707	TWIN BOTTOM HDBD&FTBD
36128014	28B-730	4 SIDE RLS/2 GUARD RLS
36028012	28B-766	LOFT HUTCH
35928019	28B-603	LOFT DESK
36428010	28B-720	LADDER
38000232	100-645	4PC TWIN SLAT PACK
38000232	100-645	4PC TWIN SLAT PACK

3582802P TWIN OVER TWIN LOFT BUNK WITH LOFT DESK (2802)

35628025	28J-705	TOP BUNK END
35528023	28J-706	TWIN BUNKBED ENDS
36228028	28J-707	TWIN BOTTOM HDBD&FTBD
36128026	28J-730	4 SIDE RLS/2 GUARD RLS
36028024	28J-766	LOFT HUTCH
35928021	28J-603	LOFT DESK
36428022	28J-720	LADDER
38000232	100-645	4PC TWIN SLAT PACK
38000232	100-645	4PC TWIN SLAT PACK

WARNING:

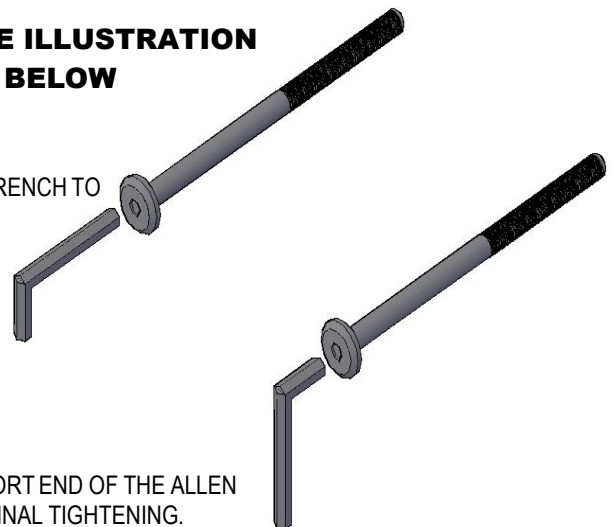
THE BED SLATS WILL NO SUPPORT A MATTRESS ALONE, A SLAT PACK OR A BUNKIE BOARD IS REQUIRED FOR PROPER SAFETY.

(NOT INCLUDED)

TO ASSEMBLE THIS BUNK BED REQUIRES TWO PERSONS

TIPS: SEE ILLUSTRATION BELOW

1.- USE THE LONG END OF THE ALLEN WRENCH TO FASTEN BOLTS LOOSELY AND QUICKLY.



MAKE SURE ALL BOLTS ARE TIGHTENED COMPLETELY

2.- USE THE SHORT END OF THE ALLEN WRENCH FOR FINAL TIGHTENING.

TWIN OVER TWIN LOFT BUNK WITH LOFT DESK ASSEMBLY INSTRUCTIONS

LIST OF CONTENTS

28-705 TOP BUNK END FIG.1

- A.- (1) TOP BUNK BED END
HARDWARE PACK (HPK00123-0)
- B.- (2) 4"METAL DOWEL PINS

28-603 LOFT DESK FIG.2

- W.- (1) LOFT DESK

28-766 LOFT HUTCH FIG.3

- E.- (1) LOFT HUTCH
HARDWARE PACK (HPK00012-0)
- B.- (2) 4"METAL DOWEL PINS

28-730 4 SIDE RLS/2 GUARD RLS FIG.4

- F.- (4) SIDE RAILS
G.- (2) GUARD RAILS
HARDWARE PACK (HPK00104-0)
- H.- (24) 80MM FLAT HEAD BOLTS
- I.- (24) 5/16"-18 X 5/8" CROSS DOWEL NUTS
- J.- (1) 5MM ALLEN WRENCH

28-707 TWIN BOTTOM HBBB & FTBD FIG.5

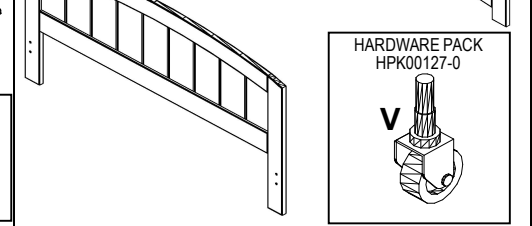
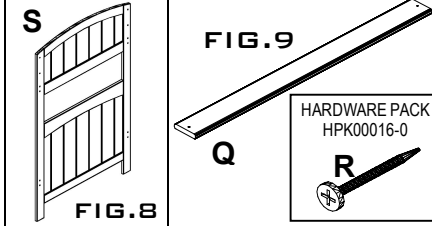
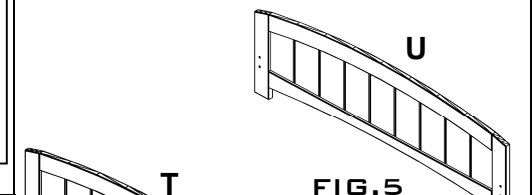
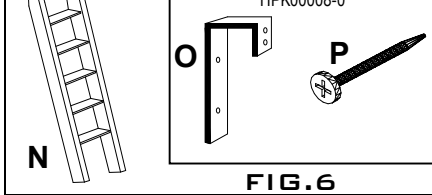
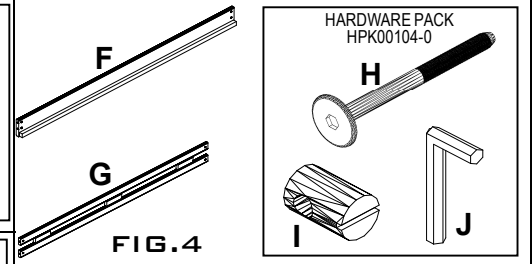
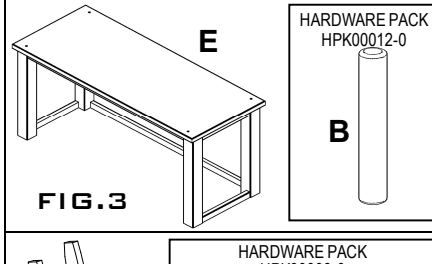
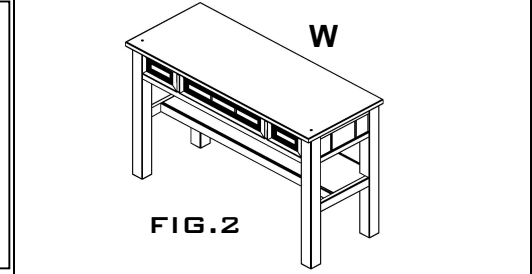
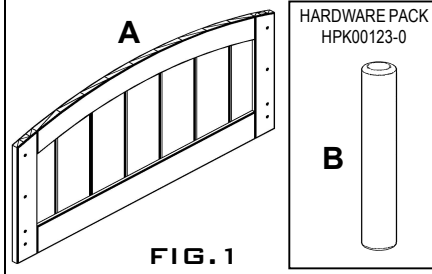
- T.- (1) HEADBOARD
U.- (1) FOOTBOARD
HARDWARE PACK (HPK00127-0)
- V.- (4) CASTERS

28-720 LADDER FIG.6

- N.- (1) LADDER
HARDWARE PACK (HPK00008-0)
- O.- (2) METAL HOOK BRACKETS
- P.- (6) 1" SCREWS

28-706 TWIN BUNKBED ENDS FIG.7

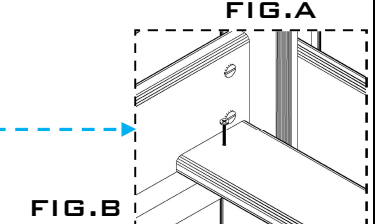
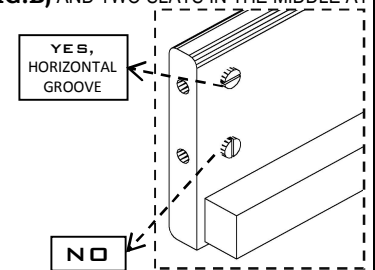
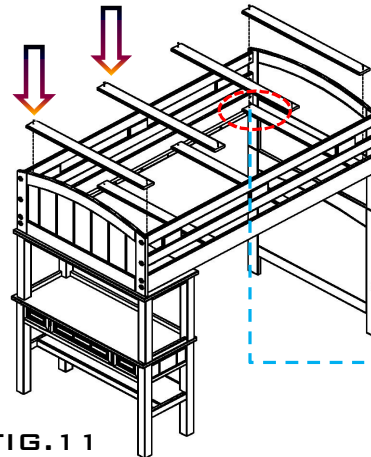
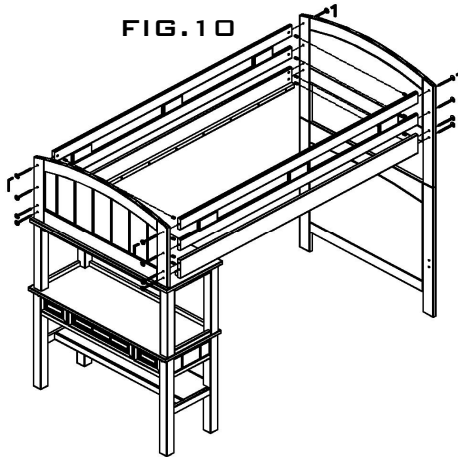
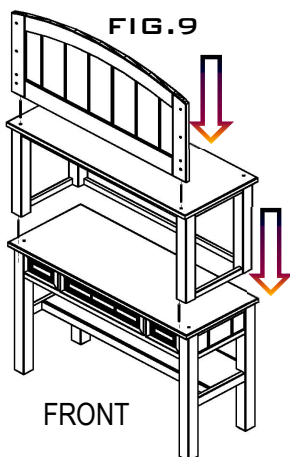
- S.- (1) 1 PC BUNK BED END TWIN



100-645 TWIN SLATS FIG.8 (2PCS)
 Q.- (4) SLATS
 HARDWARE PACK (HPK00016-0)
 R.- (8) 1 1/4" SCREWS

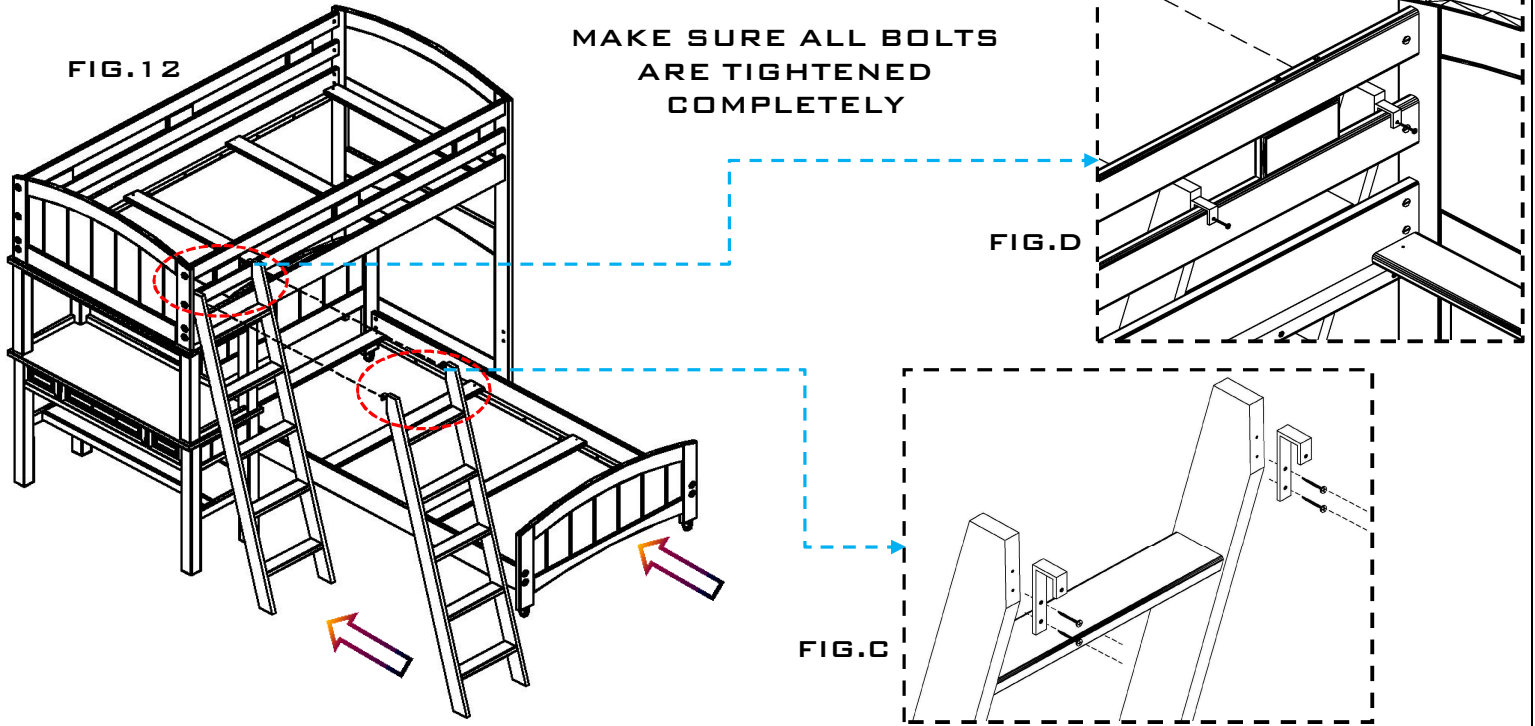
TOOLS NEEDED
 PHILIPS HEAD SCREWDRIVER (NOT INCLUDED)
 5MM ALLEN WRENCH (INCLUDED)

- 1.- ASSEMBLE **TOP BUNK BED**, USING ONE TOP BUNK BED END (A), ONE LOFT DESK (W), ONE LOFT HUTCH (E), TWO SIDE RAILS (F), AND TWO GUARD RAILS (G).
- 2.- TAKE LOFT DESK (W), AND PLACED IT IN THE ROOM'S DESIRED POSITION, PLACE IT FACING OUTWARDS.
- 3.- INSERT TWO DOWEL PINS (B) ON TOP IN EACH OUTSIDE CORNER OF LOFT DESK (W), TAKE THE LOFT HUTCH (E), AND PLACE IT ON TOP OF LOFT DESK ALIGNING METAL DOWEL PINS WITH EACH PRE-DRILLED HOLE IN BOTH ENDS UNTIL THE METAL DOWEL PINS ARE ALL IN, **SEE FIG.9**
- 4.- INSERT TWO CROSS DOWEL NUTS (I) IN ACCESS HOLE INSIDE SIDE RAIL & GUARD RAIL, ALIGN CROSS DOWEL NUT MAKE SURE THE GROOVE IS HORIZONTAL, **(FIG.A)**
- 5.- ATTACH TWO SIDE RAILS AND TWO GUARD RAILS TO DESK/HUTCH/TOP BUNK BED ASSEMBLY AND 1 PC BUNK BED END TWIN (S), INSERTING TWO FLAT BOLTS (H) INTO TOP BUNK BED AND 1 PC BUNK BED END TWIN HOLES, USE ALLEN WRENCH TO TIGHTEN BOLTS, (DO NO TIGHTEN COMPLETELY UNTIL ALL PIECES ARE CONNECTED TOGETHER), **FIG.10**
- 6.- PLACE FOUR SLATS (Q) ON TOP SIDE RAIL CLEATS, ONE SLAT IN BOTH ENDS, PUSH THE SLAT AGAINST THE BED END POST **(FIG.B)** AND TWO SLATS IN THE MIDDLE AT EQUAL DISTANCE FROM THE END SLATS, THEN EACH SLAT MUST BE FASTEN WITH TWO 1 1/4" SCREWS (S), **SEE FIG.11**



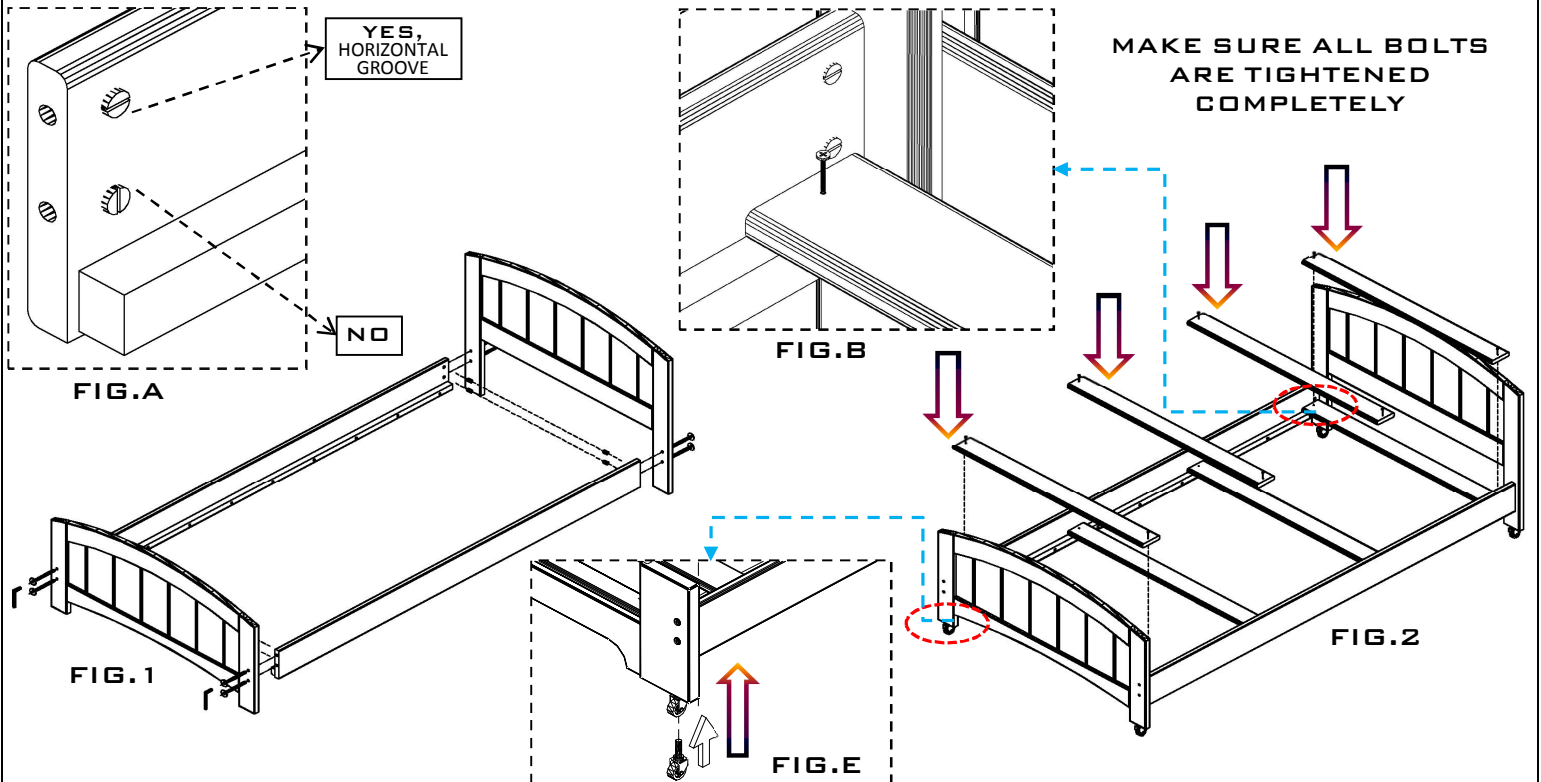
CANYON FURNITURE COMPANY
LADDER ASSEMBLY INSTRUCTIONS

ALIGN THE PRE-DRILLED HOLES IN LONG PART OF METAL HOOKS BRACKETS (O) WITH THE PRE-DRILLED HOLES IN THE LADDER (N), SECURE WITH 1" SCREWS (P) USING PHILLIPS HEAD SCREWDRIVER (NOT INCLUDED). **SEE FIG.C** AND HOOK THE LADDER IN THE PROPER POSITION, ADJUST AND ALIGN THE PRE-DRILLED HOLES IN THE SHORT PART OF METAL HOOKS ON TOP GUARD RAIL TO SECURE THE LADDER **SEE FIG.D**, AS SHOWN IN **FIG.12**



TWIN BOTTOM HDBD & FTBD ASSEMBLY INSTRUCTIONS

- 1.- ASSEMBLE TWIN BOTTOM HDBD & FTBD, USING ONE HEADBOARD (T), ONE FOOTBOARD (U) AND TWO SIDE RAILS (F).
- 2.- INSERT TWO CROSS DOWEL NUTS (I) IN ACCESS HOLE INSIDE THE SIDE RAIL, ALIGN THE CROSS DOWEL NUT MAKE SURE THE GROOVE IS HORIZONTAL, **SEE FIG.A**
- 3.- ATTACH THE HDBD AND FTBD TO SIDE RAILS, INSERTING TWO FLAT HEAD BOLTS (H) INTO THE HEADBOARD & FOOTBOARD HOLES, USE THE 5MM ALLEN WRENCH (J) TO TIGHTEN BOLTS UNTIL SECURE, **SEE FIG.1**
- 4.- PLACE FOUR SLATS (Q) ON SIDE RAIL CLEATS, ONE SLAT IN BOTH ENDS, PUSH THE SLAT AGAINST THE BED END POST (**FIG.B**) AND TWO SLATS IN THE MIDDLE AT EQUAL DISTANCE FROM THE END SLATS, THEN EACH SLAT MUST BE FASTEN WITH TWO 1 1/4" SCREWS (R), **SEE FIG.2**
- 5.- INSERT THE CASTER (V) INTO BOTTOM CORNERS OF THE HEADBOARD & FOOTBOARD, **SEE FIG.E**
- 6.- ROLL THE TWIN BOTTOM HDBD & FTBD, AND PLACE IT BETWEEN LOFT DESK AND 1 PC BUNK BED END AS SHOWN IN **FIGURE.12**



SAFETY WARNINGS

- 1.- FOLLOW THE INFORMATION ON THE WARNINGS APPEARING ON THE UPPER BUNK END STRUCTURE AND ON THE CARTON. DO NOT REMOVE WARNING LABEL FROM BED.
- 2.- ALWAYS USE THE RECOMMENDED SIZE MATTRESS OR MATTRESS SUPPORT, OR BOTH TO HELP PREVENT THE LIKELIHOOD OF ENTRAPMENT OR FALLS.
- 3.- SURFACE OF MATTRESS MUST BE AT LEAST 5 IN BELOW THE UPPER EDGE OF GUARDRAILS.
- 4.- DO NOT ALLOW CHILDREN UNDER 6 YEARS OF AGE TO USE THE UPPER BUNK.
- 5.- PROHIBIT MORE THAN ONE PERSON ON UPPER BUNK.
- 6.- PERIODICALLY CHECK AND ENSURE THAT THE GUARD RAIL, LADDER AND OTHER COMPONENTS ARE IN THEIR PROPER POSITION, **FREE FROM DAMAGE**, AND THAT ALL CONNECTORS ARE TIGHT.
- 7.- DO NOT ALLOW HORSEPLAY ON OR UNDER THE BED AND PROHIBIT JUMPING ON THE BED.
- 8.- ALWAYS USE THE LADDER FOR ENTERING AND LEAVING THE UPPER BUNK.
- 9.- DO NOT USE SUBSTITUTE PARTS. CONTACT THE MANUFACTURER OR DEALER FOR REPLACEMENT PARTS.
- 10.- USE OF A NIGHT LIGHT MAY PROVIDE ADDED SAFETY PRECAUTION FOR A CHILD USING THE UPPER BUNK.
- 11.- IF THE BUNK BED WILL BE PLACED NEXT TO THE WALL THE GUARD RAIL THAT RUNS THE FULL LENGTH OF THE BED SHOULD BE PLACED AGAINST THE WALL TO PREVENT ENTRAPMENT BETWEEN THE BED AND THE WALL.
- 12.- ALWAYS USE GUARDRAILS ON BOTH LONG SIDES OF THE UPPER BUNK.
- 13.- THE USE OF WATER OR SLEEP FLOTATION MATTRESSES IS PROHIBITED.
- 14.- **STRANGULATION HAZARD.** NEVER ATTACH OR HANG ITEMS TO ANY PART OF THE BUNK BED THAT ARE NOT DESIGNED FOR USE WITH THE BED, FOR EXAMPLE BUT NOT LIMITED TO HOOKS, BELTS AND JUMP ROPES.
- 15.- KEEP THESE INSTRUCTIONS FOR FUTURE REFERENCE.

SIZE OF MATTRESS AND FOUNDATION

THE UPPER & LOWER BUNK BED IS DESIGNED TO USE ONLY A MATTRESS WHICH IS **74" TO 75" LONG AND 37 1/2" TO 38 1/2" WIDE FOR TWIN BED.**
WHEN THE LOWER BUNK BED IS A FULL BED, THE LOWER BUNK IS DESIGNED TO USE ONLY A MATTRESS WHICH IS **74" TO 75" LONG AND 52 1/2" X 53 1/2" WIDE.**
THE BUNKIE BOARD IS REQUIRED TO **37 1/2" WIDE X 74" LONG FOR TWIN BED AND 52 1/2" WIDE X 74" LONG FOR FULL BED.**

NOTE: ENSURE THICKNESS OF MATTRESS AND FOUNDATION COMBINED DOES NOT EXCEED **10"** AND MATTRESS IS AT LEAST **5"** BELOW UPPER EDGE OF GUARDRAILS.

REPLACEMENT PARTS

REPLACEMENT PARTS, INCLUDING ADDITIONAL GUARDRAILS, MAY BE OBTAINED FROM ANY OF OUR CANYON FURNITURE COMPANY DEALERS.