

LIST OF CONTENTS
COTTAGE COLORSCOLLECTION

TWIN/FULL BOTTOM HDBD&FTBD BOX (28-707,28-709) FIG.1

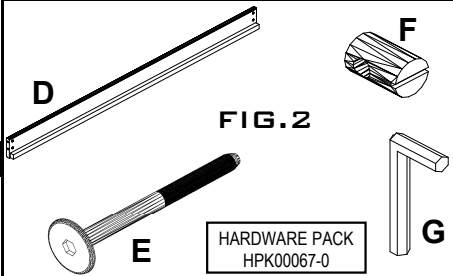
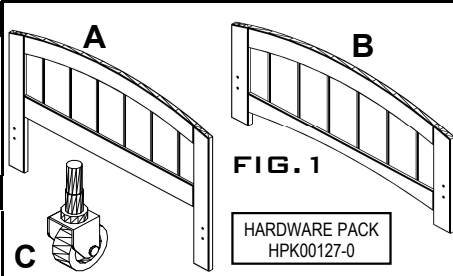
- A.- (1) HEADBOARD
- B.- (1) FOOTBOARD
- HARDWARE PACK (HPK00127-0)**

C.- (4) CASTER SOCKETS
TWIN/FULL SIDE RAILS BOX (28-739) FIG.2

- D.- (2) SIDE RAILS
- HARDWARE PACK (HPK00067-0)**

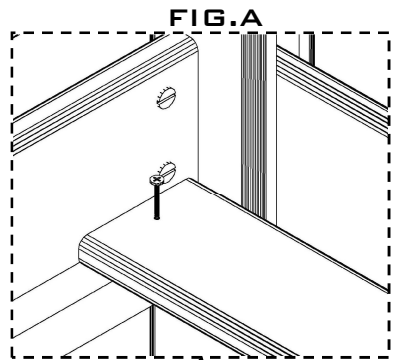
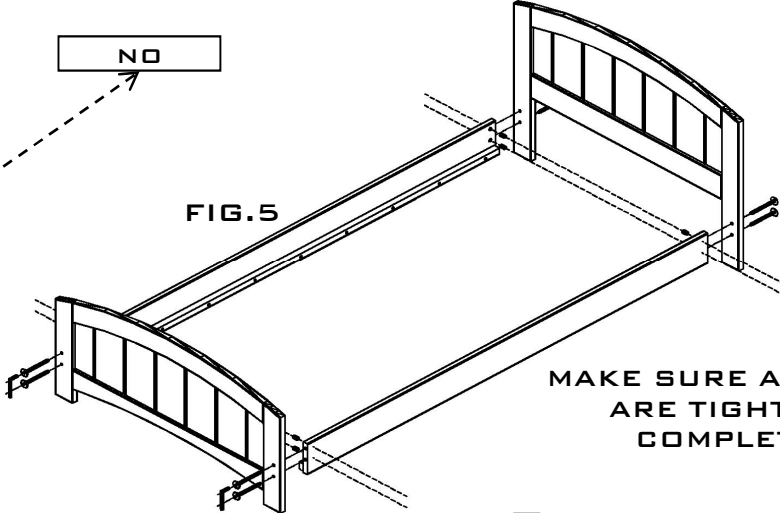
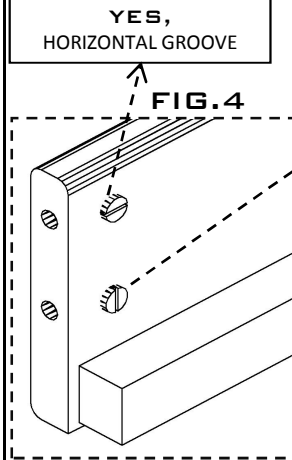
- E.- (8) 4" FLAT HEAD BOLTS
- F.- (8) 5/8" CROSS DOWEL NUTS
- G.- (1) 5MM ALLEN WRENCH
- TWIN/FULL SLATS BOX (100-645,100-646) FIG.3

- H.- (4) SLATS
- HARDWARE PACK (HPK00016-0)**
- I.- (8) 1 1/4" SCREWS

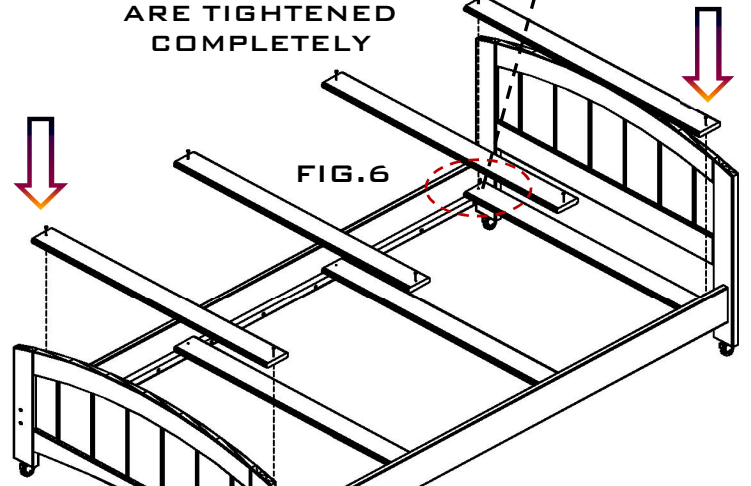


- 1.- TO ASSEMBLE TWIN/FULL BOTTOM HDBD&FTBD USING ONE HDBD (A), ONE FTBD (B) AND TWO SIDE RAILS (D).
- 2.- INSERT TWO CROSS DOWEL NUTS (F) IN ACCESS HOLE INSIDE SIDE RAIL, ALIGN CROSS DOWEL NUT, MAKE SURE THE GROOVE IS HORIZONTAL. (FIG.4)
- 3.- ATTACH TWO SIDE RAILS TO THE HDBD & FTBD, INSERTING TWO FLAT HEAD BOLTS (E), INTO HDBD & FTBD HOLES, USE THE 5MM ALLEN WRENCH (G) TO TIGHTEN BOTH FLAT HEAD BOLTS, SEE FIG.5
- 4.- REPEAT THE SAME PROCESS ON ALL FOUR CORNERS.

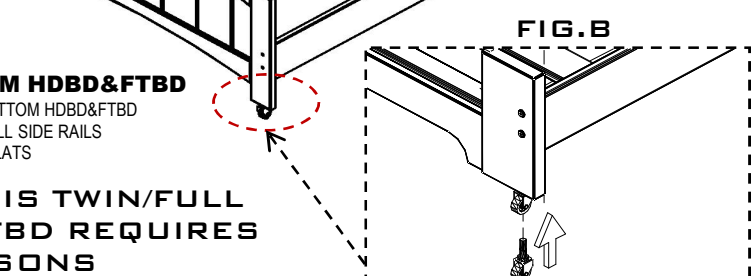
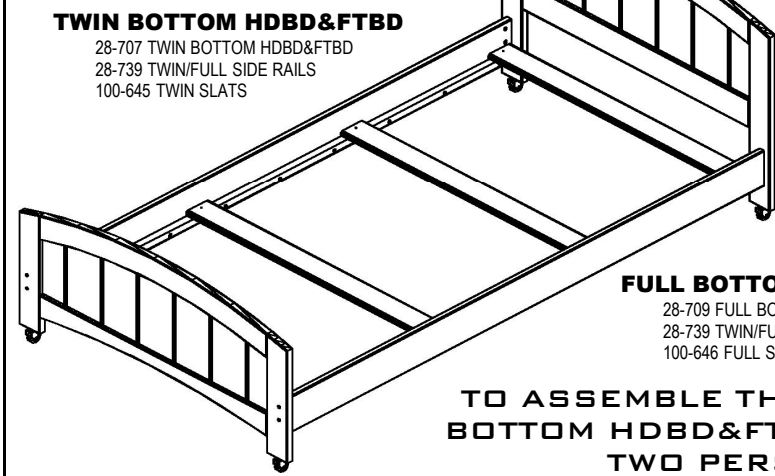
- 4.- PLACE FOUR SLATS (H) ON SIDE RAIL CLEATS, ONE SLAT IN BOTH ENDS, PUSH THE SLAT AGAINST THE BED END POST (FIG.A) & TWO SLATS IN THE MIDDLE AT EQUAL DISTANCE FROM THE END SLATS, THEN EACH SLAT MUST BE FASTEN WITH TWO 1 1/4" SCREWS (I), SEE FIG.6
- 5.- INSERT THE CASTER SOCKETS (C) INTO BOTTOM CORNERS OF THE HEADBOARD&FOOTBOARD, SEE FIG.B



MAKE SURE ALL BOLTS ARE TIGHTENED COMPLETELY



TOOLS NEEDED
PHILIPS HEADSCREWDRIVER (NOT INCLUDED)
5MM ALLEN WRENCH (INCLUDED)



TWIN BOTTOM HDBD&FTBD
28-707 TWIN BOTTOM HDBD&FTBD
28-739 TWIN/FULL SIDE RAILS
100-645 TWIN SLATS

FULL BOTTOM HDBD&FTBD
28-709 FULL BOTTOM HDBD&FTBD
28-739 TWIN/FULL SIDE RAILS
100-646 FULL SLATS

TO ASSEMBLE THIS TWIN/FULL BOTTOM HDBD&FTBD REQUIRES TWO PERSONS