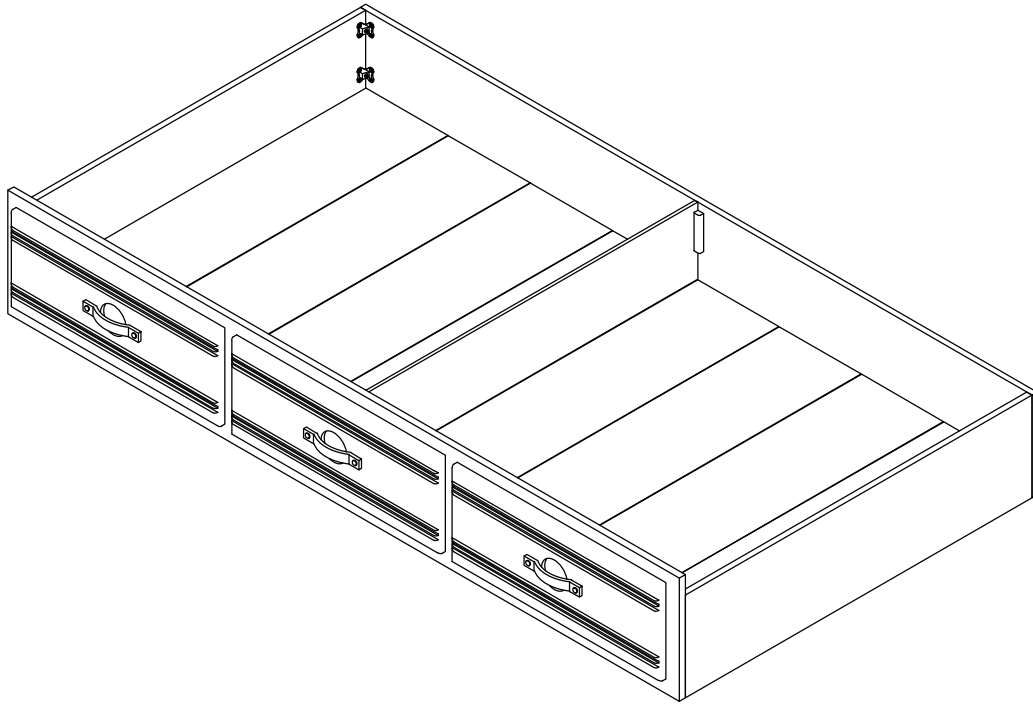
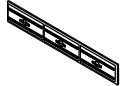

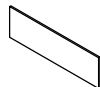

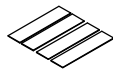



CREEKSIDE 3.0

TRUNDLE



SKU#	STYLE	COLOR	ITEM DESCRIPTION
35832523	325-TRN	CHESTNUT	TRUNDLE
35832535	325-TRC	CHARCOAL	TRUNDLE


TRUNDLE PART LIST			
NO.	ITEM DESCRIPTION	IMAGE	QTY
A	FRONT PANEL		1PC
B	BACK PANEL		1PC
C	SIDE PANEL		2PCS
D	DIVIDER PANEL		1PC
E	BOTTOM PANEL SET		2SET
F	STABILIZER		1PC


DO NOT USE SUBSTITUTE PARTS. PLEASE CONTACT YOUR RETAIL STORE OR WWW.ROOMSTOGO.COM WITH SERVICE OR PARTS REPLACEMENT REQUEST.

This product is manufactured by (JSFC) for **ROOMS TO GO® | KIDS**

CREEKSIDE 3.0

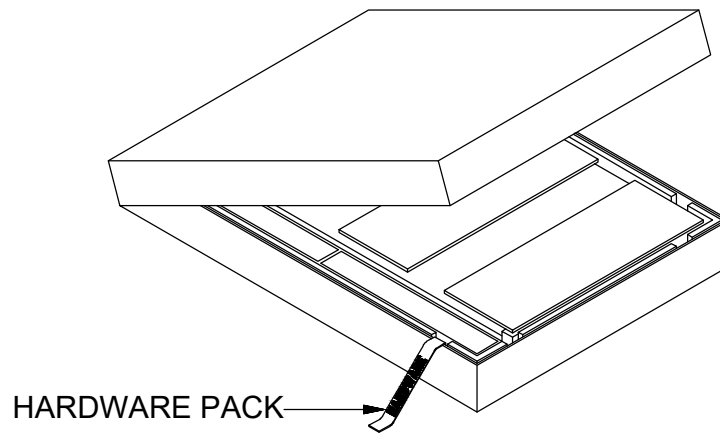
TRUNDLE

TRUNDLE PRE-ASSEMBLED HARDWARE LIST			
	ITEM DESCRIPTION	IMAGE	QTY
1	SCREW M5*1/2"		8 PCS

TRUNDLE HARDWARE LIST			
	ITEM DESCRIPTION	IMAGE	QTY
2	ALLEN KEY 4mm		1 PC

HARDWARE PACK LOCATION

SKU#	STYLE	COLOR	ITEM DESCRIPTION
35832523	325-TRN	CHESTNUT	TRUNDLE
35832535	325-TRC	CHARCOAL	TRUNDLE



DO NOT USE SUBSTITUTE PARTS. PLEASE CONTACT YOUR RETAIL STORE OR WWW.ROOMSTOGO.COM WITH SERVICE OR PARTS REPLACEMENT REQUEST.

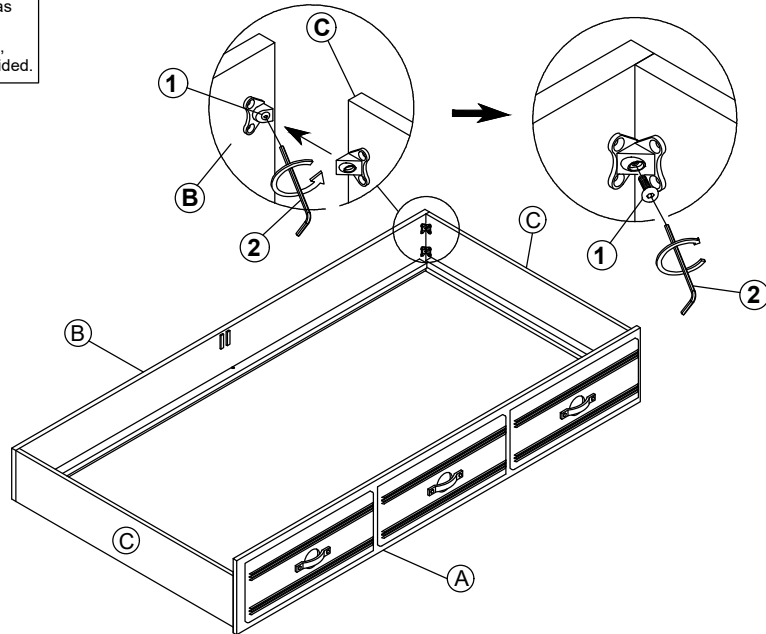
This product is manufactured by (JSFC) for **ROOMS TO GO® | KIDS**

Thank you for purchasing this quality product. Be sure to check all packing material carefully for small parts which may have come loose inside the carton during shipment. Identify and count all parts and compare with the parts list below. Read all instructions before assembling bed and keep these instruction for future reference.

Assembly Instructions:

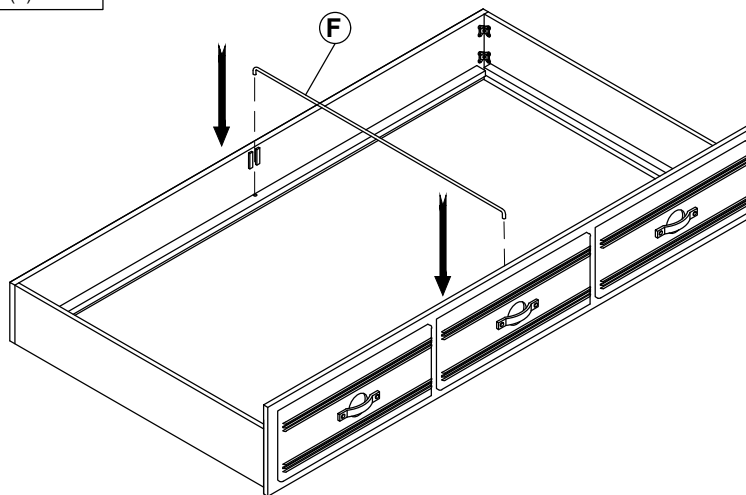
STEP 1

Screw out the screws(1) by Allen Key(2) as shown. Attach two Side Panel(C) to Front Panel(A) and Back Panel(B) by screws(1), tighten screws(1) using Allen Key(2) provided.



STEP 2

Insert stabilizer(F) in the pre-drilled hole on Front Panel(A) and Back Panel(B).



DO NOT USE SUBSTITUTE PARTS. PLEASE CONTACT YOUR RETAIL STORE OR WWW.ROOMSTOGO.COM WITH SERVICE OR PARTS REPLACEMENT REQUEST.

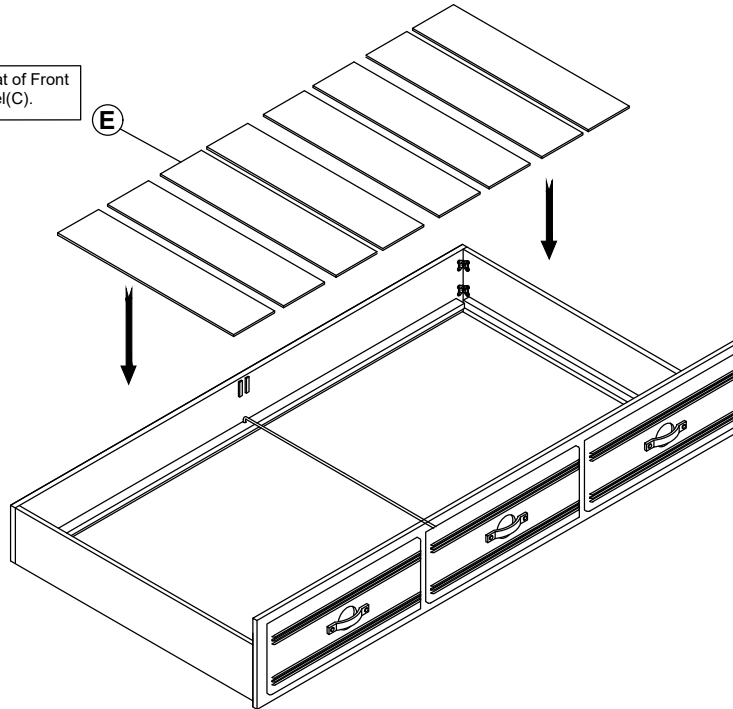
This product is manufactured by (JSFC) for **ROOMS TO GO® | KIDS**

Thank you for purchasing this quality product. Be sure to check all packing material carefully for small parts which may have come loose inside the carton during shipment. Identify and count all parts and compare with the parts list below. Read all instructions before assembling bed and keep these instruction for future reference.

Assembly Instructions:

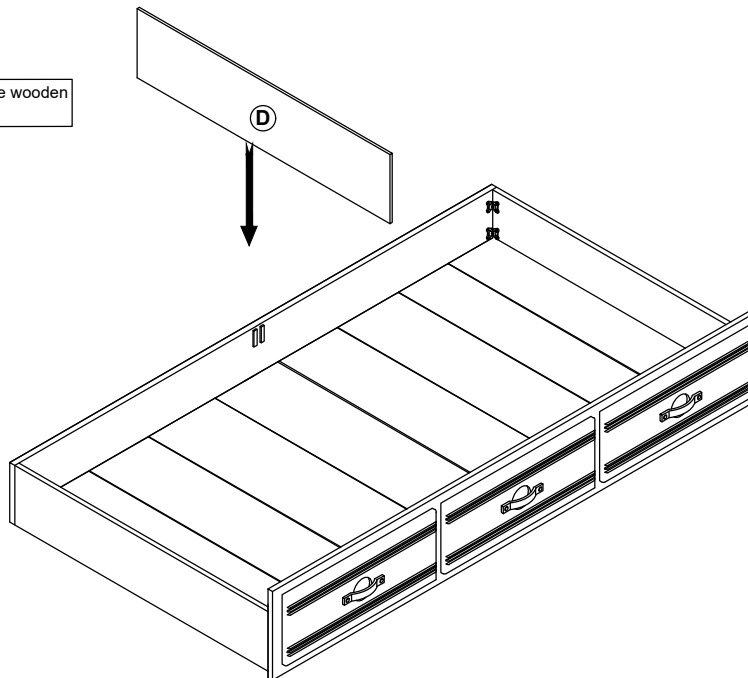
STEP 3

Put the Bottom Panel Set(E) on cleat of Front Panel(A), Back Panel(B), Side Panel(C).



STEP 4

Insert the Divider Panel(D) along the wooden groove as shown.



DO NOT USE SUBSTITUTE PARTS. PLEASE CONTACT YOUR RETAIL STORE OR WWW.ROOMSTOGO.COM WITH SERVICE OR PARTS REPLACEMENT REQUEST.

This product is manufactured by (JSFC) for **ROOMS TO GO® | KIDS**

Thank you for purchasing this quality product. Be sure to check all packing material carefully for small parts which may have come loose inside the carton during shipment. Identify and count all parts and compare with the parts list below. Read all instructions before assembling bed and keep these instruction for future reference.

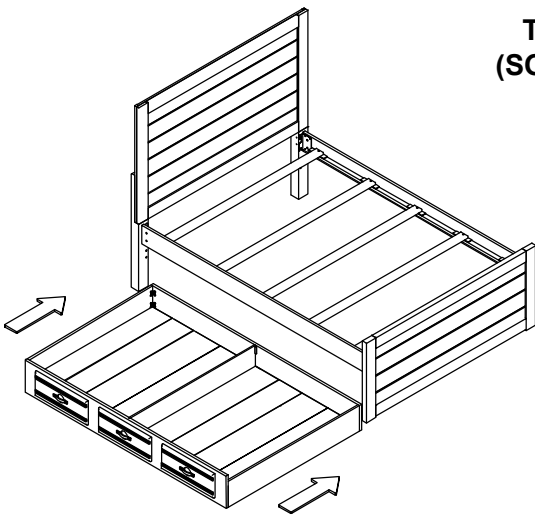
Assembly Instructions:

STEP 5

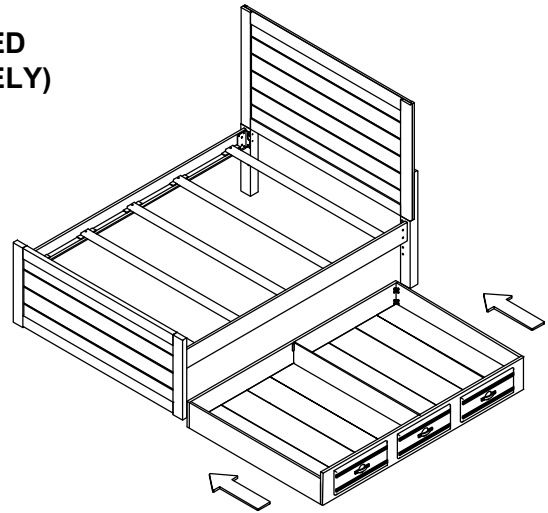
CONFIGURATION 1:

Remark: The trundle can be sliding from left or right side .

TWIN PANEL BED (SOLD SEPARATELY)



OPTION 1: the trundle in left position

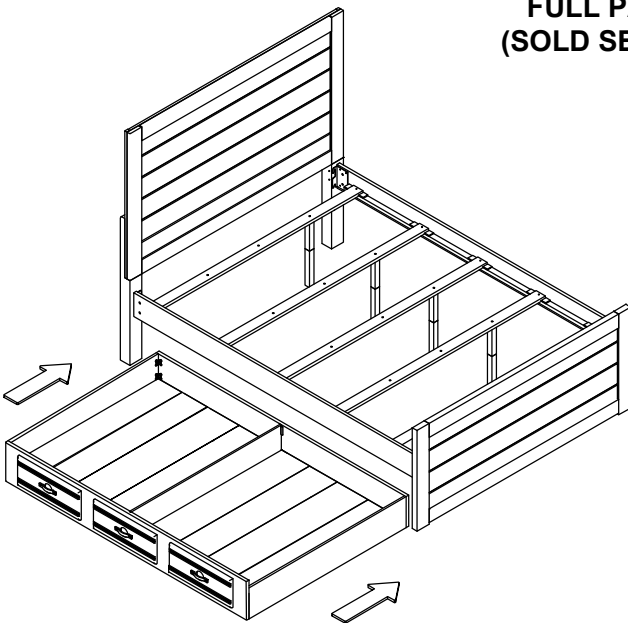


OPTION 2: the trundle in right position

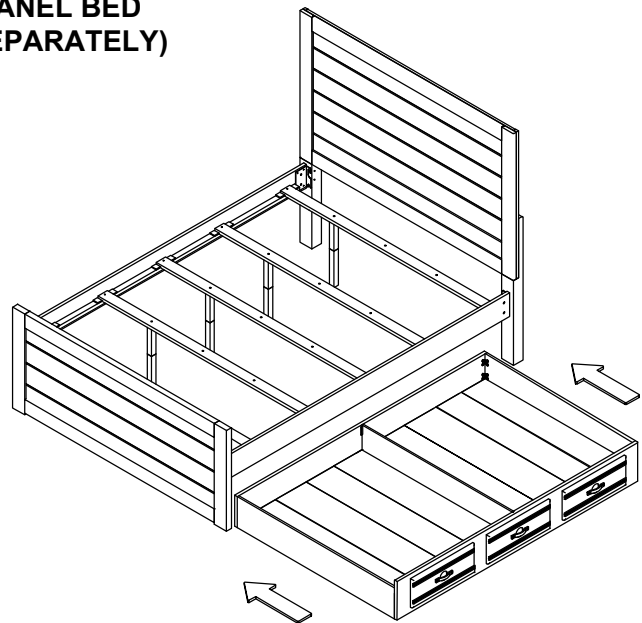
CONFIGURATION 2:

Remark: The trundle can be sliding from left or right side .

FULL PANEL BED (SOLD SEPARATELY)



OPTION 1: the trundle in left position



OPTION 2: the trundle in right position

DO NOT USE SUBSTITUTE PARTS. PLEASE CONTACT YOUR RETAIL STORE OR WWW.ROOMSTOGO.COM WITH SERVICE OR PARTS REPLACEMENT REQUEST.

This product is manufactured by (JSFC) for **ROOMS TO GO** | **KIDS**

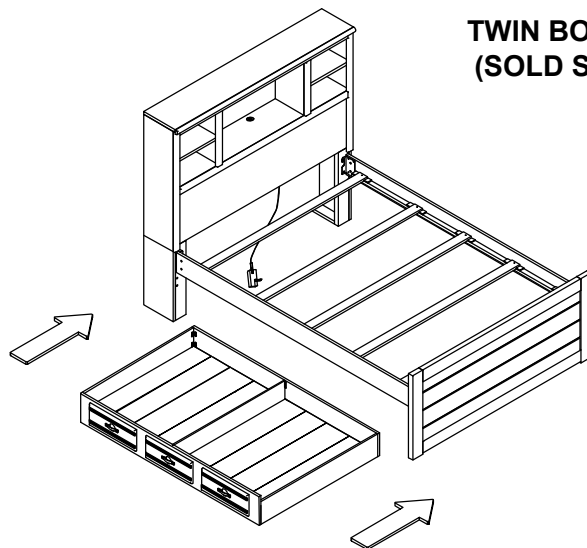
Thank you for purchasing this quality product. Be sure to check all packing material carefully for small parts which may have come loose inside the carton during shipment. Identify and count all parts and compare with the parts list below. Read all instructions before assembling bed and keep these instruction for future reference.

Assembly Instructions:

STEP 5

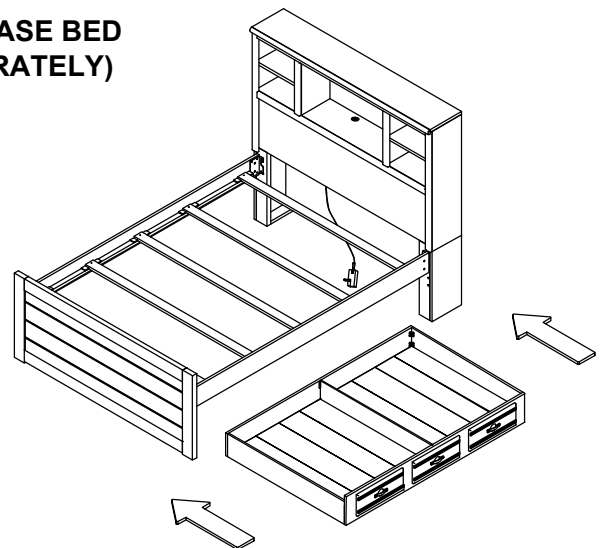
CONFIGURATION 3:

Remark: The trundle can be sliding from left or right side .



OPTION 1: the trundle in left position

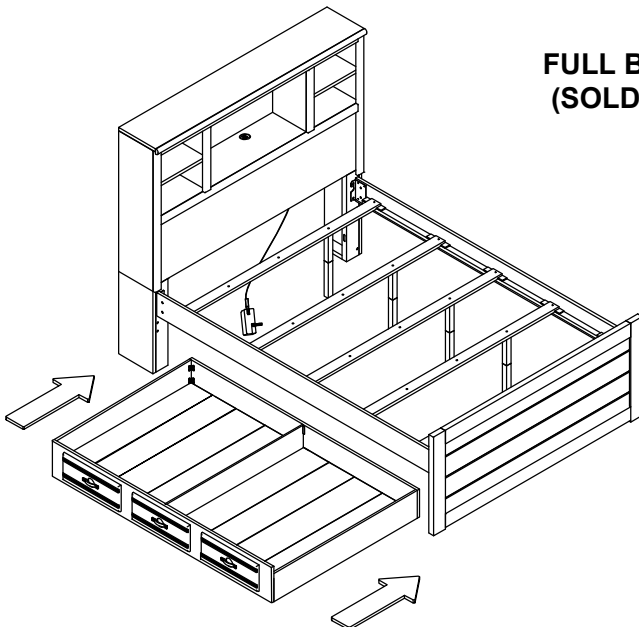
TWIN BOOKCASE BED (SOLD SEPARATELY)



OPTION 2: the trundle in right position

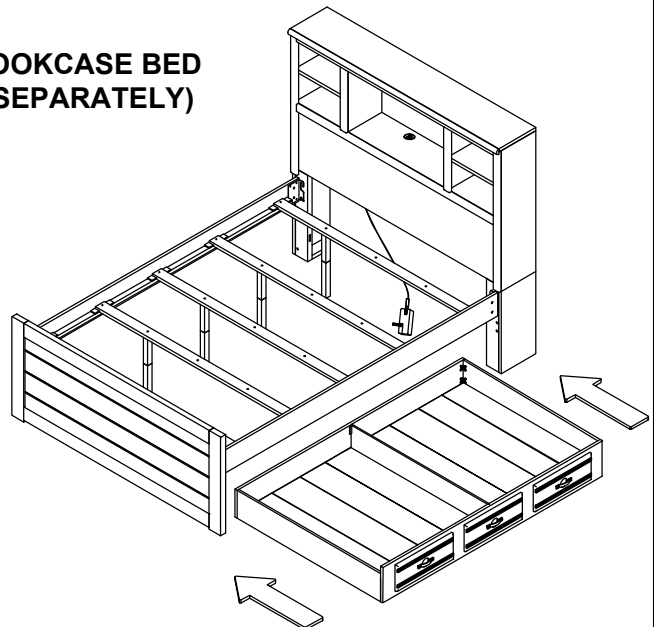
CONFIGURATION 4:

Remark: The trundle can be sliding from left or right side .



OPTION 1: the trundle in left position

FULL BOOKCASE BED (SOLD SEPARATELY)



OPTION 2: the trundle in right position

DO NOT USE SUBSTITUTE PARTS. PLEASE CONTACT YOUR RETAIL STORE OR WWW.ROOMSTOGO.COM WITH SERVICE OR PARTS REPLACEMENT REQUEST.

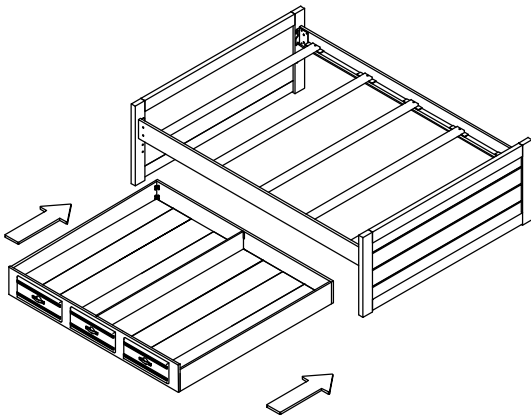
This product is manufactured by (JSFC) for **ROOMS TO GO® | KIDS**

Thank you for purchasing this quality product. Be sure to check all packing material carefully for small parts which may have come loose inside the carton during shipment. Identify and count all parts and compare with the parts list below. Read all instructions before assembling bed and keep these instruction for future reference.

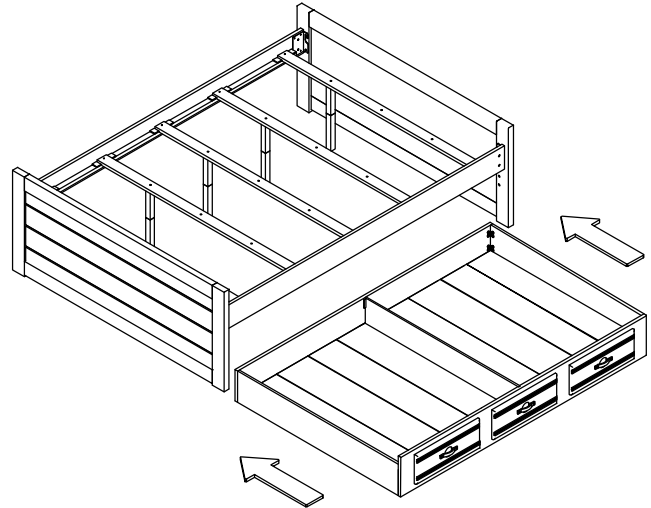
Assembly Instructions:

STEP 5

**CONFIGURATION 5:
TWIN LOW PROFILE BED
(SOLD SEPARATELY)**

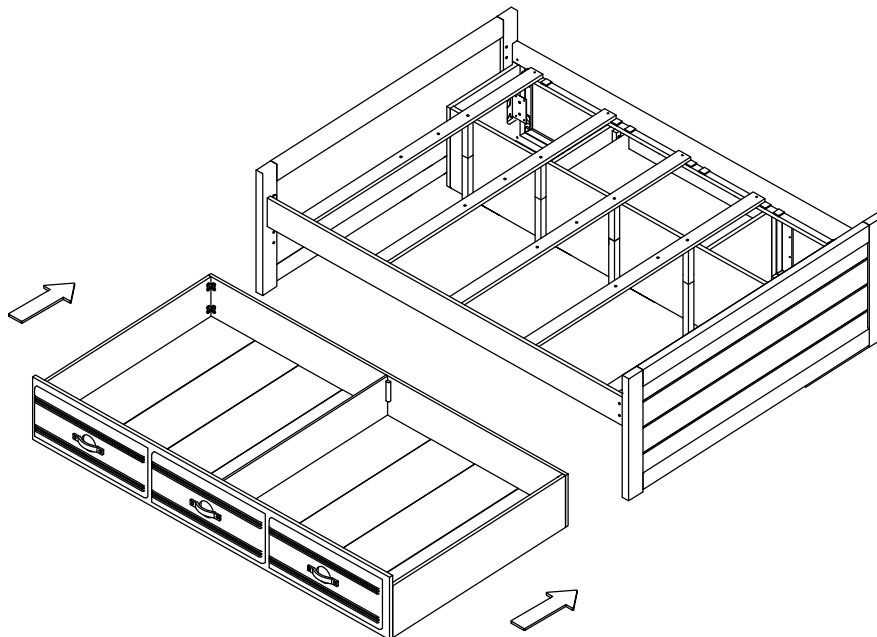


**CONFIGURATION 6:
FULL LOW PROFILE BED
(SOLD SEPARATELY)**



CONFIGURATION 7:

**FULL LOW PROFILE BED WITH STORAGE RAIL
(SOLD SEPARATELY)**



DO NOT USE SUBSTITUTE PARTS. PLEASE CONTACT YOUR RETAIL STORE OR WWW.ROOMSTOGO.COM WITH SERVICE OR PARTS REPLACEMENT REQUEST.

This product is manufactured by (JSFC) for **ROOMS TO GO® | KIDS**

Thank you for purchasing this quality product. Be sure to check all packing material carefully for small parts which may have come loose inside the carton during shipment. Identify and count all parts and compare with the parts list below. Read all instructions before assembling bed and keep these instruction for future reference.

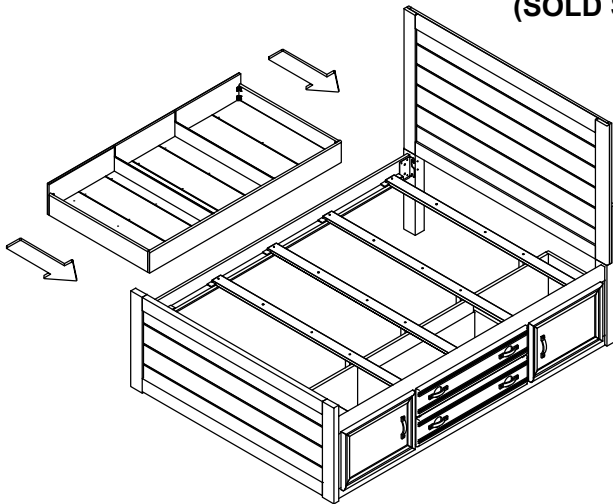
Assembly Instructions:

STEP 5

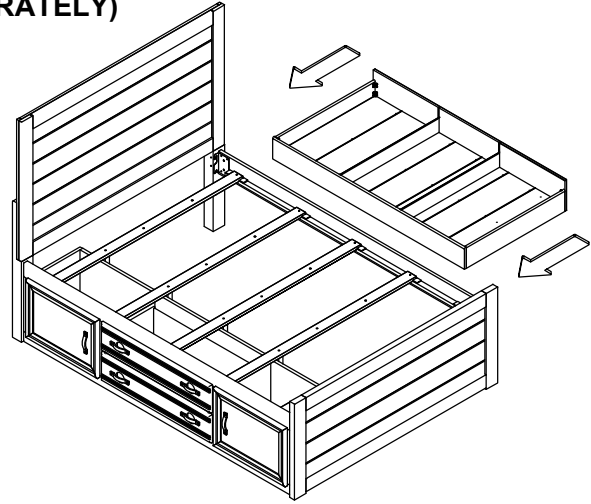
CONFIGURATION 8:

Remark: The trundle can be sliding from left or right side .

FULL PANEL BED W/1 STORAGE RAIL (SOLD SEPARATELY)



OPTION 1: the trundle in left position

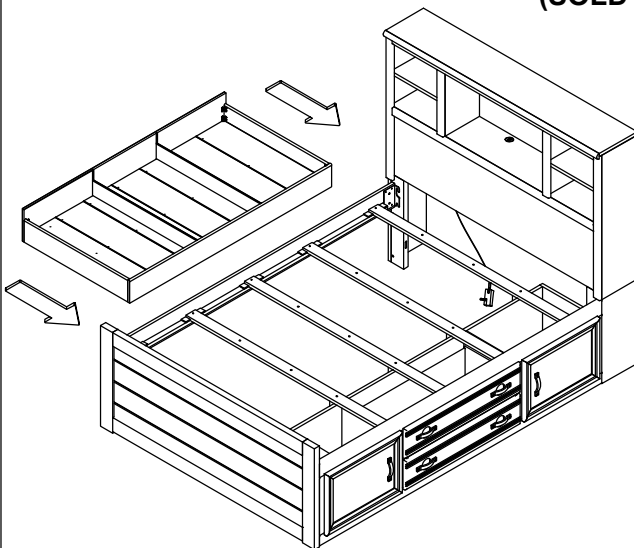


OPTION 2: the trundle in right position

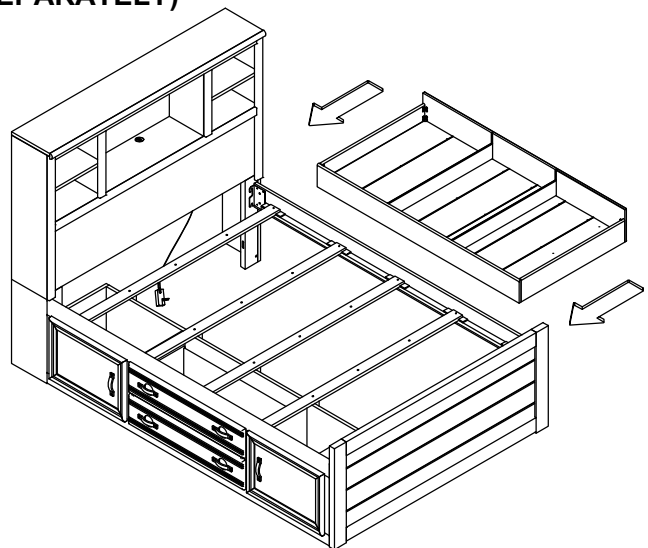
CONFIGURATION 9:

Remark: The trundle can be sliding from left or right side .

FULL BOOKCASE BED W/1 STORAGE RAIL (SOLD SEPARATELY)



OPTION 1: the trundle in left position



OPTION 2: the trundle in right position

DO NOT USE SUBSTITUTE PARTS. PLEASE CONTACT YOUR RETAIL STORE OR WWW.ROOMSTOGO.COM WITH SERVICE OR PARTS REPLACEMENT REQUEST.

This product is manufactured by (JSFC) for **ROOMS TO GO® | KIDS**

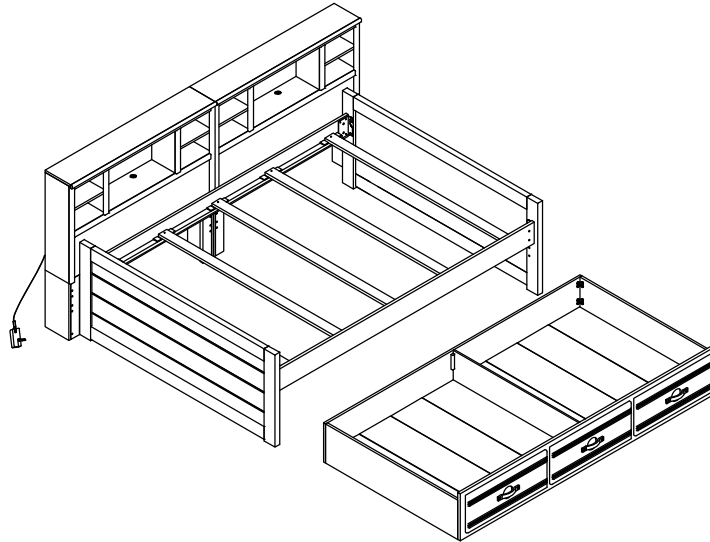
Thank you for purchasing this quality product. Be sure to check all packing material carefully for small parts which may have come loose inside the carton during shipment. Identify and count all parts and compare with the parts list below. Read all instructions before assembling bed and keep these instruction for future reference.

Assembly Instructions:

STEP 5

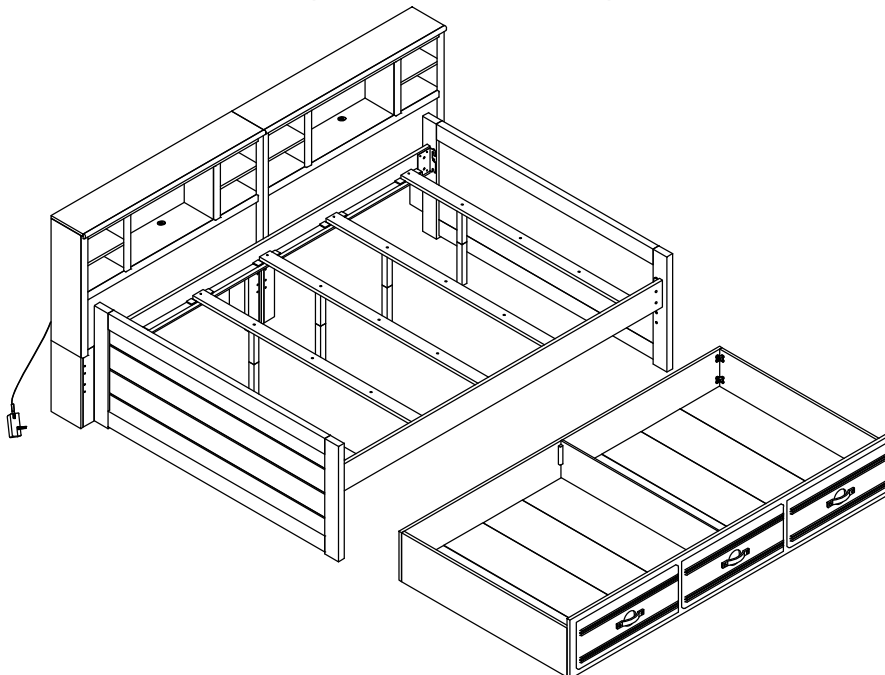
CONFIGURATION 10:

TWIN BOOKCASE WALL BED (SOLD SEPARATELY)



CONFIGURATION 11:

FULL BOOKCASE WALL BED (SOLD SEPARATELY)



DO NOT USE SUBSTITUTE PARTS. PLEASE CONTACT YOUR RETAIL STORE OR WWW.ROOMSTOGO.COM WITH SERVICE OR PARTS REPLACEMENT REQUEST.

This product is manufactured by (JSFC) for **ROOMS TO GO® | KIDS**

Thank you for purchasing this quality product. Be sure to check all packing material carefully for small parts which may have come loose inside the carton during shipment. Identify and count all parts and compare with the parts list below. Read all instructions before assembling bed and keep these instruction for future reference.

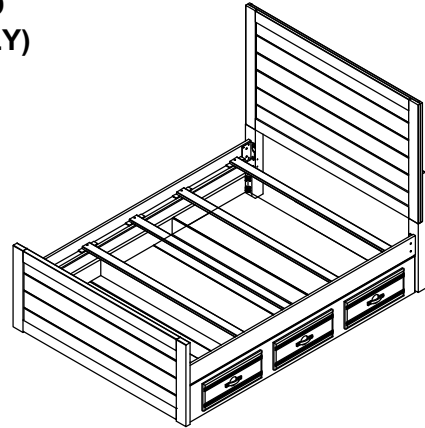
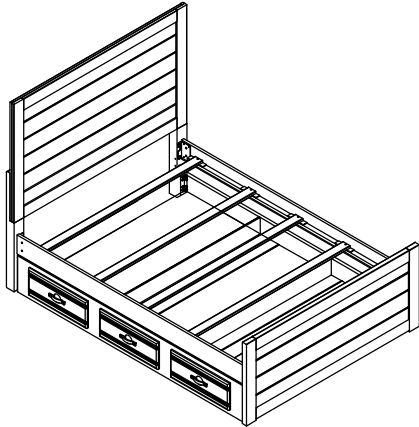
Assembly Instructions:

STEP 6

CONFIGURATION 1:

Remark: The trundle can be sliding from left or right side .

TWIN PANEL BED (SOLD SEPARATELY)



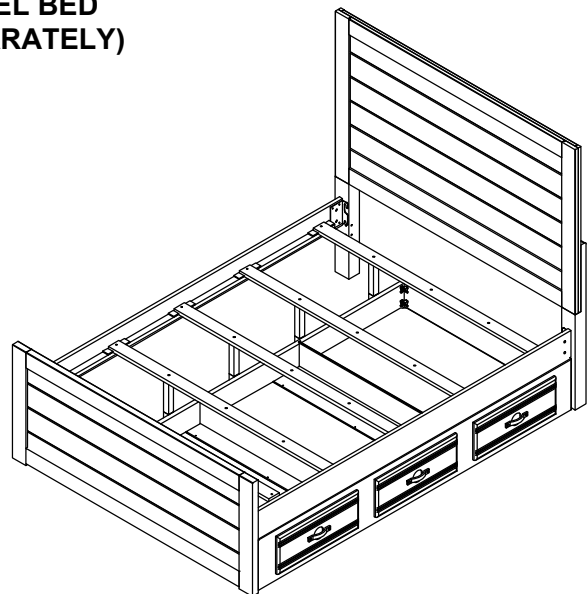
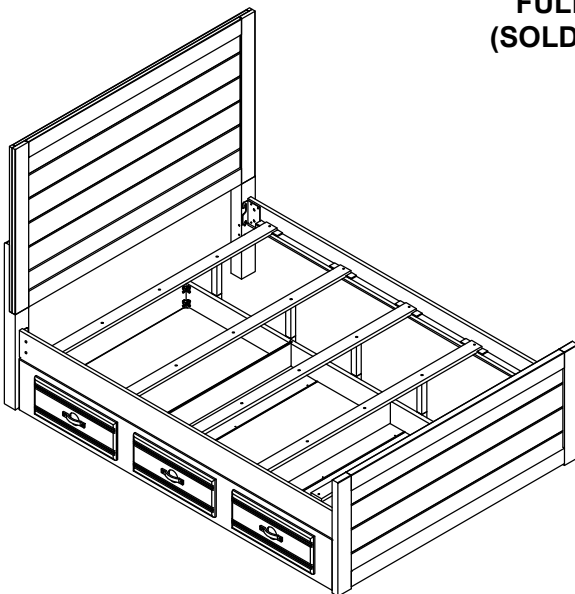
OPTION 1: the trundle in
left position

OPTION 2: the trundle in
right position

CONFIGURATION 2:

Remark: The trundle can be sliding from left or right side .

FULL PANEL BED (SOLD SEPARATELY)



OPTION 1: the trundle in
left position

OPTION 2: the trundle in
right position

DO NOT USE SUBSTITUTE PARTS. PLEASE CONTACT YOUR RETAIL STORE OR WWW.ROOMSTOGO.COM WITH SERVICE OR PARTS REPLACEMENT REQUEST.

This product is manufactured by (JSFC) for **ROOMS TO GO® | KIDS**

Thank you for purchasing this quality product. Be sure to check all packing material carefully for small parts which may have come loose inside the carton during shipment. Identify and count all parts and compare with the parts list below. Read all instructions before assembling bed and keep these instruction for future reference.

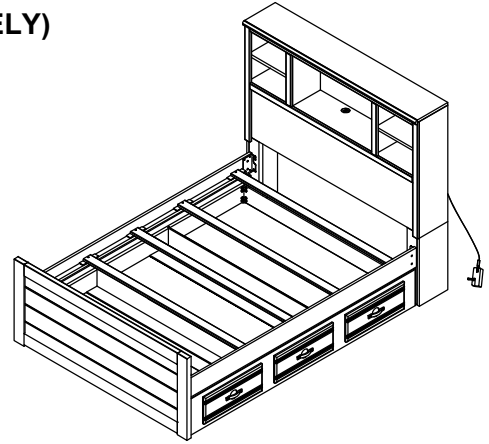
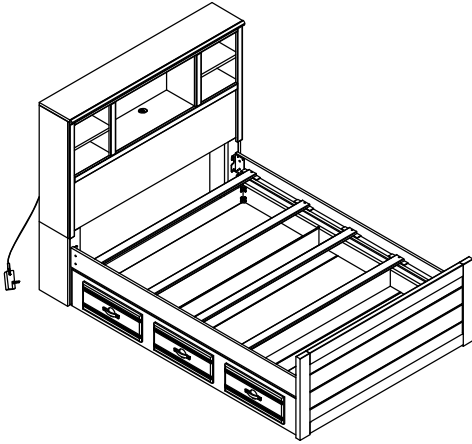
Assembly Instructions:

STEP 6

CONFIGURATION 3:

Remark: The trundle can be sliding from left or right side .

TWIN BOOKCASE BED (SOLD SEPARATELY)



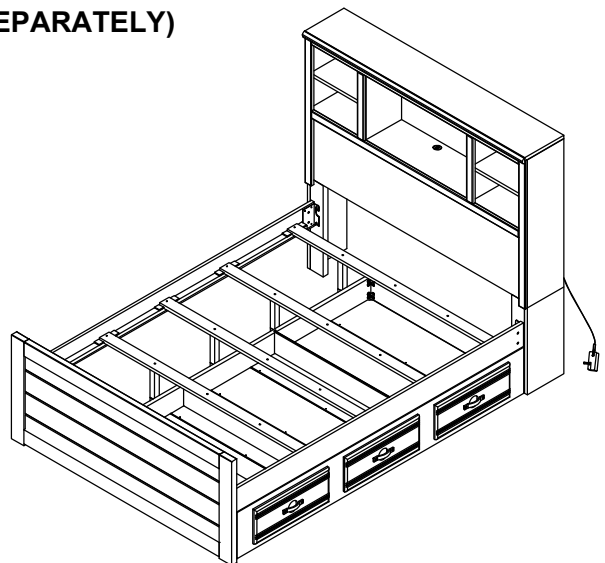
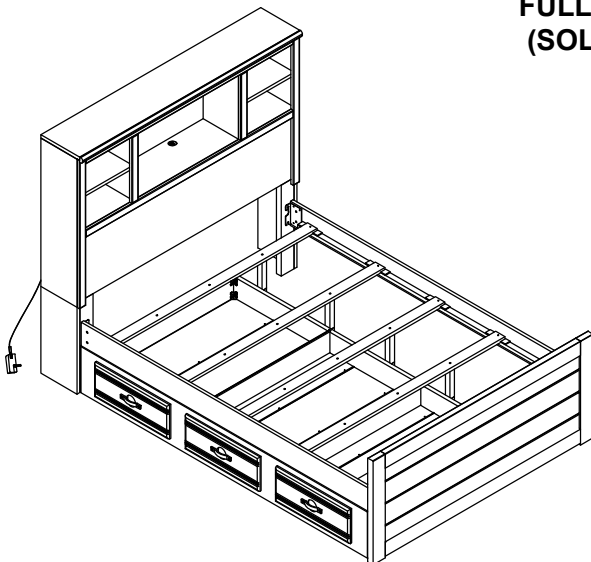
OPTION 1: the trundle in
left position

OPTION 2: the trundle in
right position

CONFIGURATION 4:

Remark: The trundle can be sliding from left or right side .

FULL BOOKCASE BED (SOLD SEPARATELY)



OPTION 1: the trundle in
left position

OPTION 2: the trundle in
right position

DO NOT USE SUBSTITUTE PARTS. PLEASE CONTACT YOUR RETAIL STORE OR WWW.ROOMSTOGO.COM WITH SERVICE OR PARTS REPLACEMENT REQUEST.

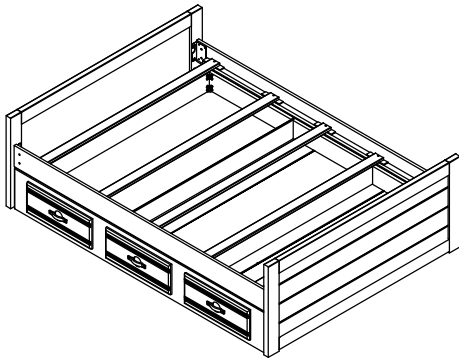
This product is manufactured by (JSFC) for **ROOMS TO GO® | KIDS**

Thank you for purchasing this quality product. Be sure to check all packing material carefully for small parts which may have come loose inside the carton during shipment. Identify and count all parts and compare with the parts list below. Read all instructions before assembling bed and keep these instruction for future reference.

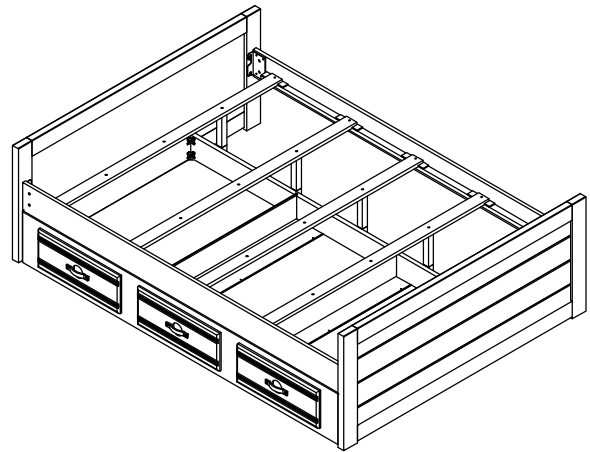
Assembly Instructions:

STEP 6

**CONFIGURATION 5:
TWIN LOW PROFILE BED
(SOLD SEPARATELY)**

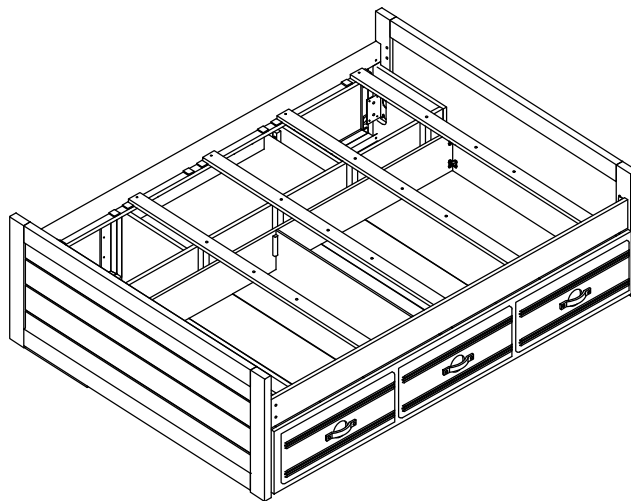


**CONFIGURATION 6:
FULL LOW PROFILE BED
(SOLD SEPARATELY)**



CONFIGURATION 7:

**FULL LOW PROFILE BED WITH STORAGE RAIL
(SOLD SEPARATELY)**



DO NOT USE SUBSTITUTE PARTS. PLEASE CONTACT YOUR RETAIL STORE OR WWW.ROOMSTOGO.COM WITH SERVICE OR PARTS REPLACEMENT REQUEST.

This product is manufactured by (JSFC) for **ROOMS TO GO® | KIDS**

Thank you for purchasing this quality product. Be sure to check all packing material carefully for small parts which may have come loose inside the carton during shipment. Identify and count all parts and compare with the parts list below. Read all instructions before assembling bed and keep these instruction for future reference.

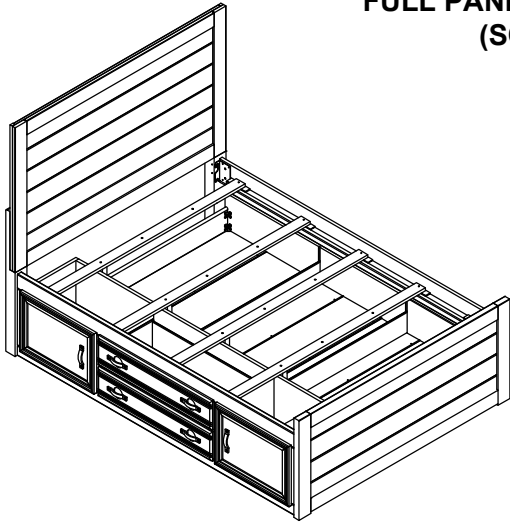
Assembly Instructions:

STEP 6

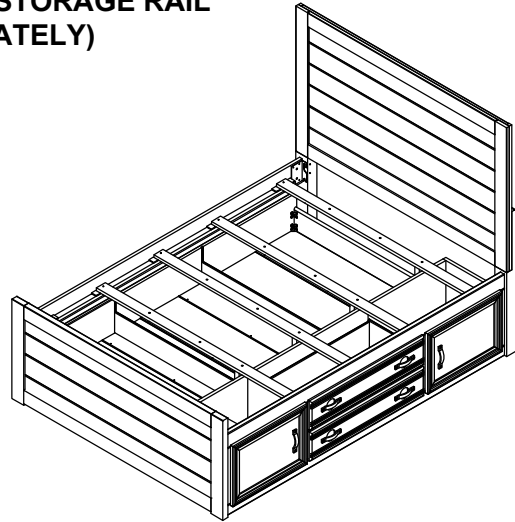
CONFIGURATION 8:

Remark: The trundle can be sliding from left or right side .

FULL PANEL BED W/1 STORAGE RAIL (SOLD SEPARATELY)



OPTION 1: the trundle in left position

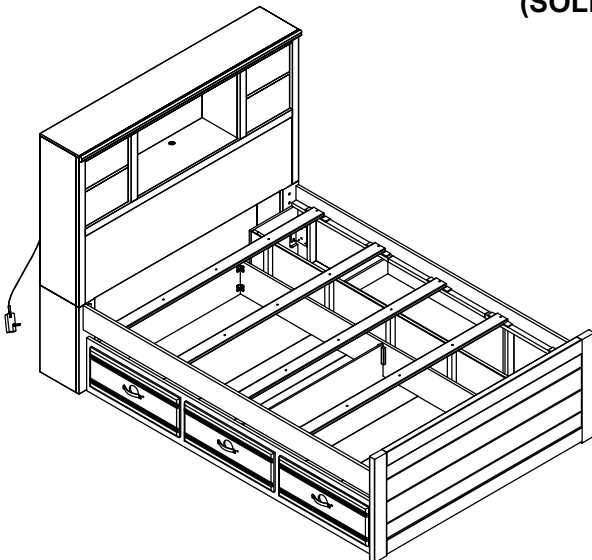


OPTION 2: the trundle in right position

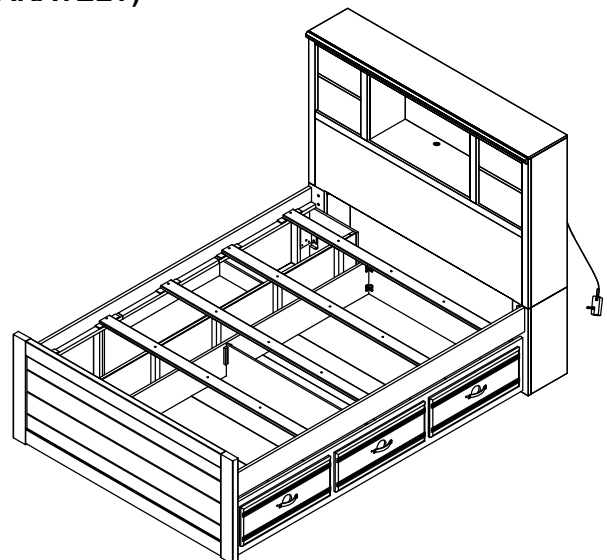
CONFIGURATION 9:

Remark: The trundle can be sliding from left or right side .

FULL BOOKCASE BED W/1 STORAGE RAIL (SOLD SEPARATELY)



OPTION 1: the trundle in left position



OPTION 2: the trundle in right position

DO NOT USE SUBSTITUTE PARTS. PLEASE CONTACT YOUR RETAIL STORE OR WWW.ROOMSTOGO.COM WITH SERVICE OR PARTS REPLACEMENT REQUEST.

This product is manufactured by (JSFC) for **ROOMS TO GO® | KIDS**

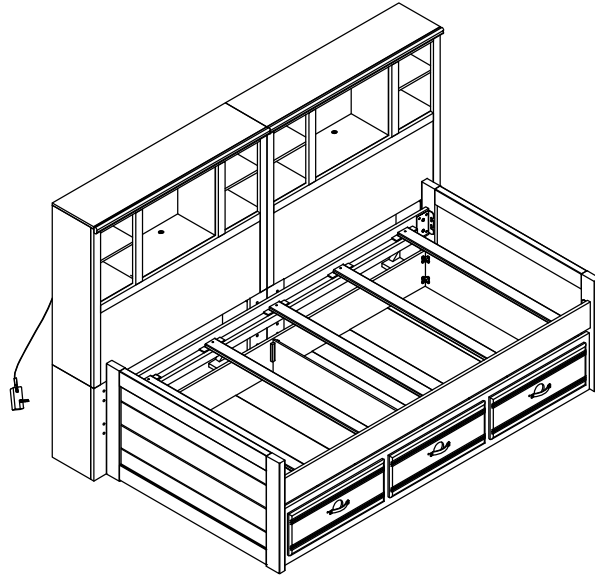
Thank you for purchasing this quality product. Be sure to check all packing material carefully for small parts which may have come loose inside the carton during shipment. Identify and count all parts and compare with the parts list below. Read all instructions before assembling bed and keep these instruction for future reference.

Assembly Instructions:

STEP 6

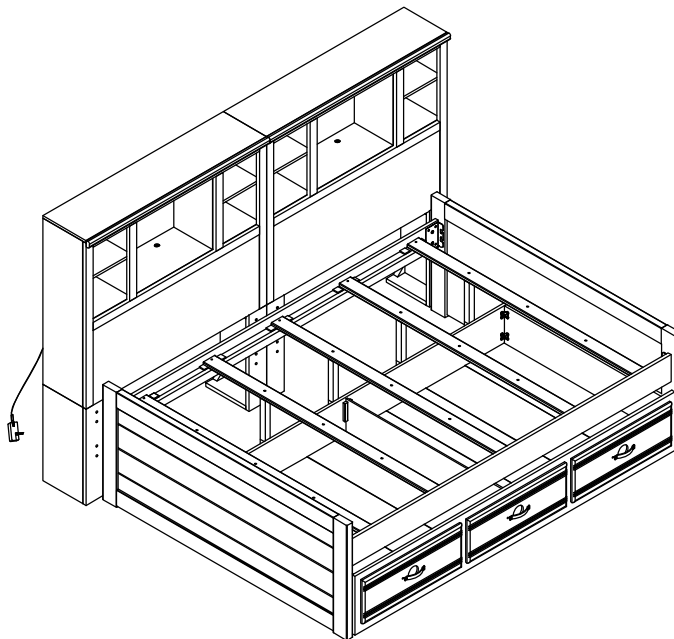
CONFIGURATION 10:

**TWIN BOOKCASE WALL BED
(SOLD SEPARATELY)**



CONFIGURATION 11:

**FULL BOOKCASE WALL BED
(SOLD SEPARATELY)**



DO NOT USE SUBSTITUTE PARTS. PLEASE CONTACT YOUR RETAIL STORE OR WWW.ROOMSTOGO.COM WITH SERVICE OR PARTS REPLACEMENT REQUEST.

This product is manufactured by (JSFC) for **ROOMS TO GO® | KIDS**

Thank you for purchasing this quality product. Be sure to check all packing material carefully for small parts which may have come loose inside the carton during shipment. Identify and count all parts and compare with the parts list below. Read all instructions before assembling bed and keep these instruction for future reference.

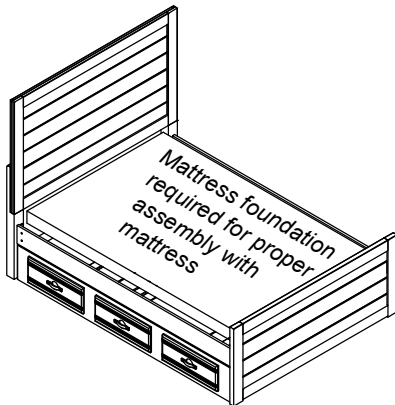
Assembly Instructions:

STEP 7

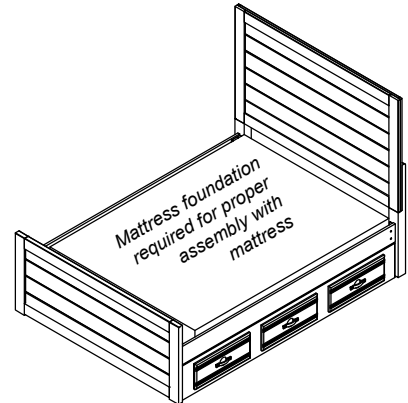
CONFIGURATION 1:

Remark: The trundle can be sliding from left or right side .

TWIN PANEL BED (SOLD SEPARATELY)



OPTION 1: the trundle in left position

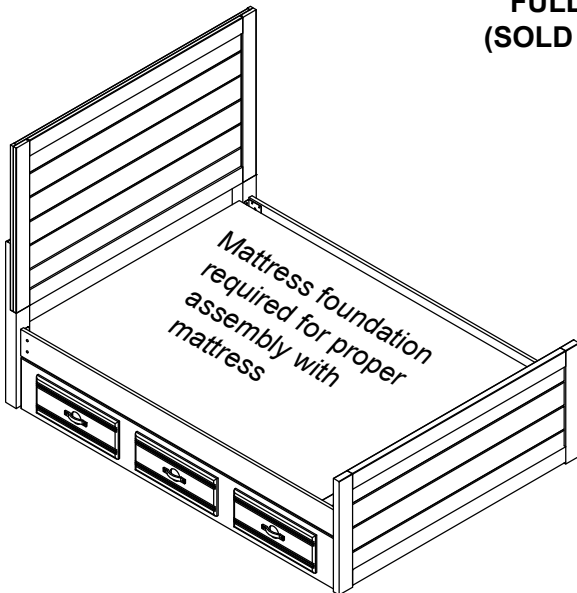


OPTION 2: the trundle in right position

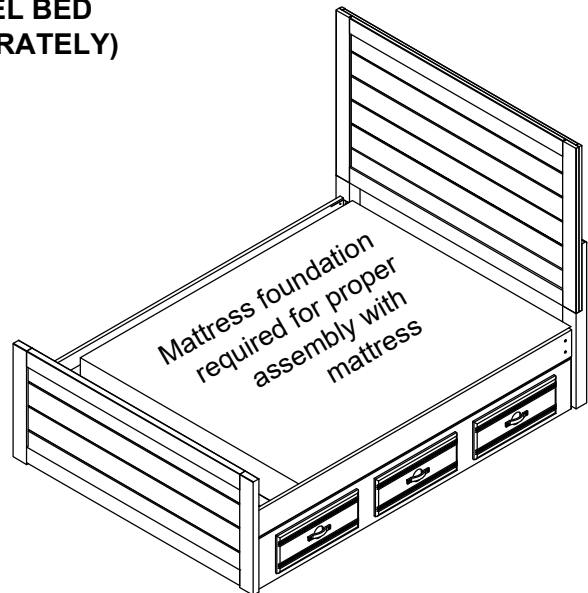
CONFIGURATION 2:

Remark: The trundle can be sliding from left or right side .

FULL PANEL BED (SOLD SEPARATELY)



OPTION 1: the trundle in left position



OPTION 2: the trundle in right position

A mattress foundation is required for proper assembly with mattress. Place the mattress foundation (not provided) on top

DO NOT USE SUBSTITUTE PARTS. PLEASE CONTACT YOUR RETAIL STORE OR WWW.ROOMSTOGO.COM WITH SERVICE OR PARTS REPLACEMENT REQUEST.

This product is manufactured by (JSFC) for **ROOMS TO GO® | KIDS**

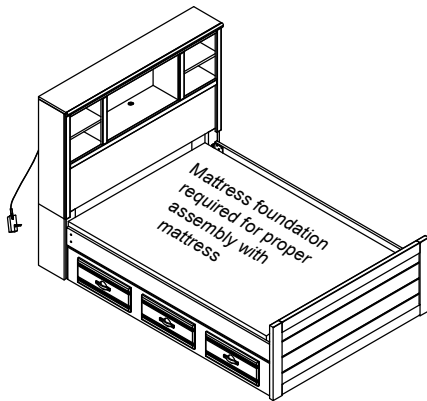
Thank you for purchasing this quality product. Be sure to check all packing material carefully for small parts which may have come loose inside the carton during shipment. Identify and count all parts and compare with the parts list below. Read all instructions before assembling bed and keep these instruction for future reference.

Assembly Instructions:

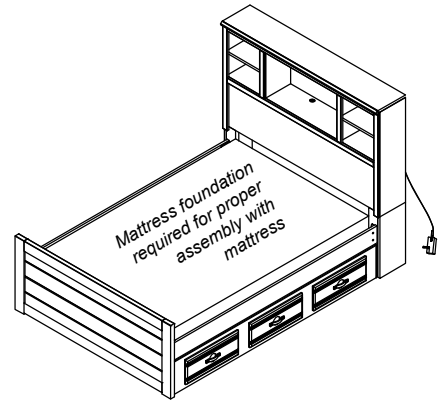
STEP 7

CONFIGURATION 3:

Remark: The trundle can be sliding from left or right side .



TWIN BOOKCASE BED (SOLD SEPARATELY)



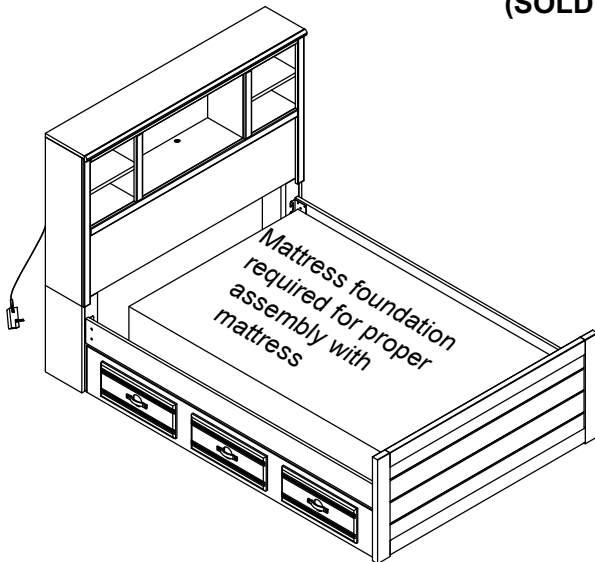
**OPTION 1: the trundle in
left position**

**OPTION 2: the trundle in
right position**

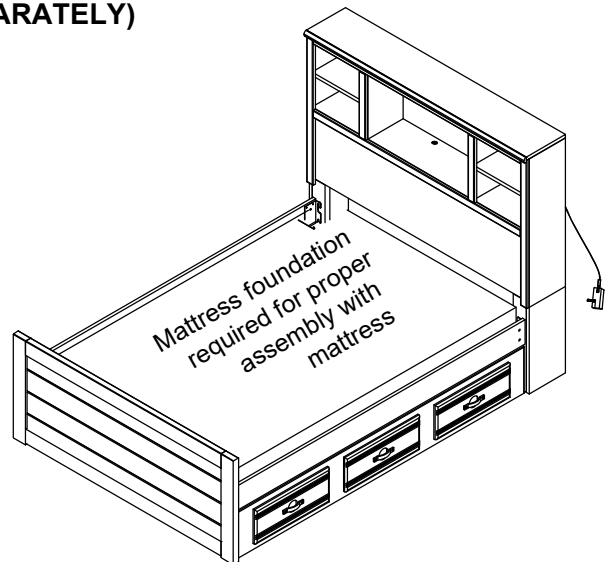
CONFIGURATION 4:

Remark: The trundle can be sliding from left or right side .

FULL BOOKCASE BED (SOLD SEPARATELY)



**OPTION 1: the trundle in
left position**



**OPTION 2: the trundle in
right position**

A mattress foundation is required for proper assembly with mattress. Place the mattress foundation (not provided) on top

DO NOT USE SUBSTITUTE PARTS. PLEASE CONTACT YOUR RETAIL STORE OR WWW.ROOMSTOGO.COM WITH SERVICE OR PARTS REPLACEMENT REQUEST.

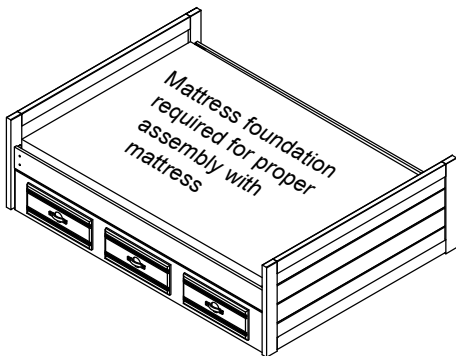
This product is manufactured by (JSFC) for **ROOMS TO GO® | KIDS**

Thank you for purchasing this quality product. Be sure to check all packing material carefully for small parts which may have come loose inside the carton during shipment. Identify and count all parts and compare with the parts list below. Read all instructions before assembling bed and keep these instruction for future reference.

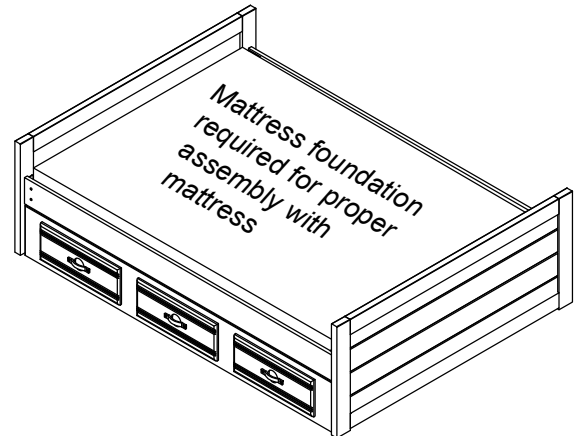
Assembly Instructions:

STEP 7

**CONFIGURATION 5:
TWIN LOW PROFILE BED
(SOLD SEPARATELY)**

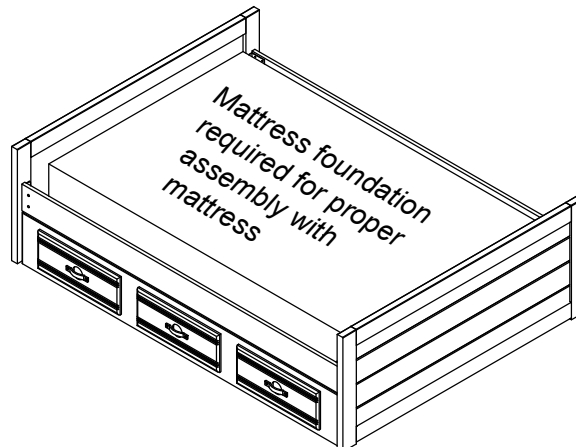


**CONFIGURATION 6:
FULL LOW PROFILE BED
(SOLD SEPARATELY)**



CONFIGURATION 7:

**FULL LOW PROFILE BED WITH STORAGE RAIL
(SOLD SEPARATELY)**



A mattress foundation is required for proper assembly with mattress. Place the mattress foundation (not provided) on top

DO NOT USE SUBSTITUTE PARTS. PLEASE CONTACT YOUR RETAIL STORE OR WWW.ROOMSTOGO.COM WITH SERVICE OR PARTS REPLACEMENT REQUEST.

This product is manufactured by (JSFC) for **ROOMS TO GO® | KIDS**

Thank you for purchasing this quality product. Be sure to check all packing material carefully for small parts which may have come loose inside the carton during shipment. Identify and count all parts and compare with the parts list below. Read all instructions before assembling bed and keep these instruction for future reference.

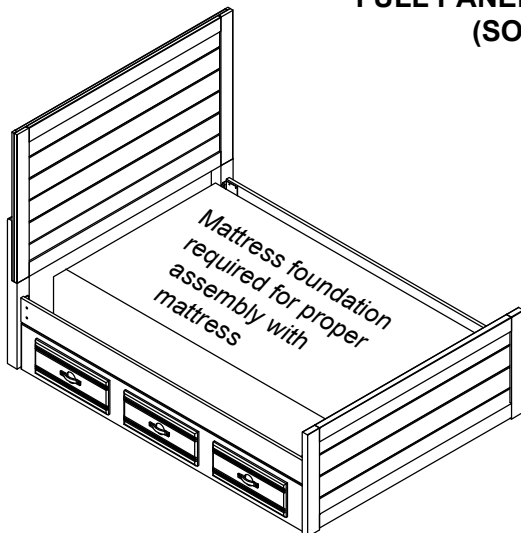
Assembly Instructions:

STEP 7

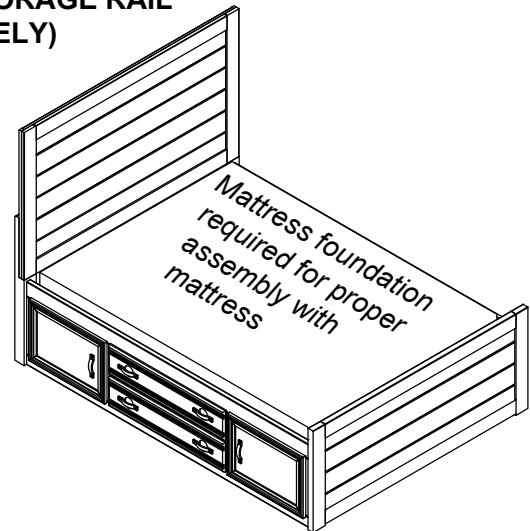
CONFIGURATION 8:

Remark: The trundle can be sliding from left or right side .

FULL PANEL BED W/1 STORAGE RAIL (SOLD SEPARATELY)



OPTION 1: the trundle in left position

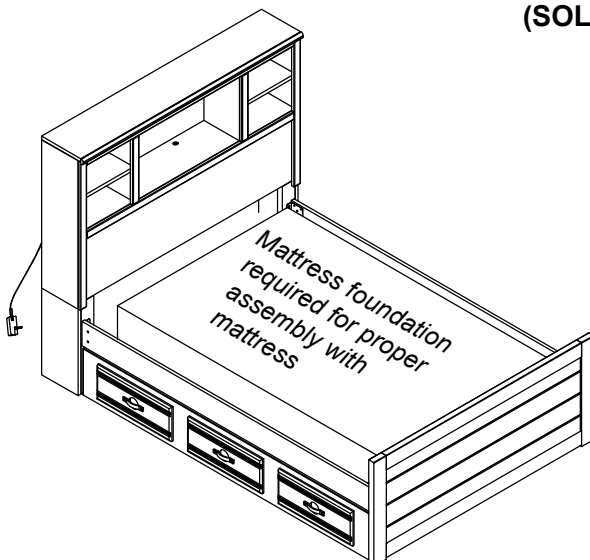


OPTION 2: the trundle in right position

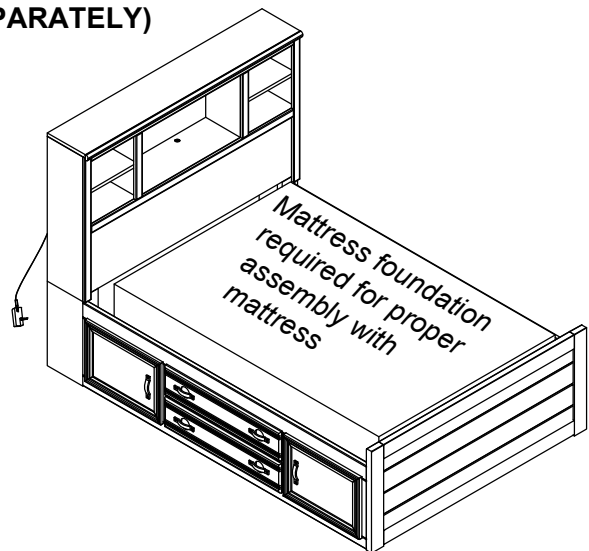
CONFIGURATION 9:

Remark: The trundle can be sliding from left or right side .

FULL BOOKCASE BED W/1 STORAGE RAIL (SOLD SEPARATELY)



OPTION 1: the trundle in left position



OPTION 2: the trundle in right position

A mattress foundation is required for proper assembly with mattress. Place the mattress foundation (not provided) on top

DO NOT USE SUBSTITUTE PARTS. PLEASE CONTACT YOUR RETAIL STORE OR WWW.ROOMSTOGO.COM WITH SERVICE OR PARTS REPLACEMENT REQUEST.

This product is manufactured by (JSFC) for **ROOMS TO GO® | KIDS**

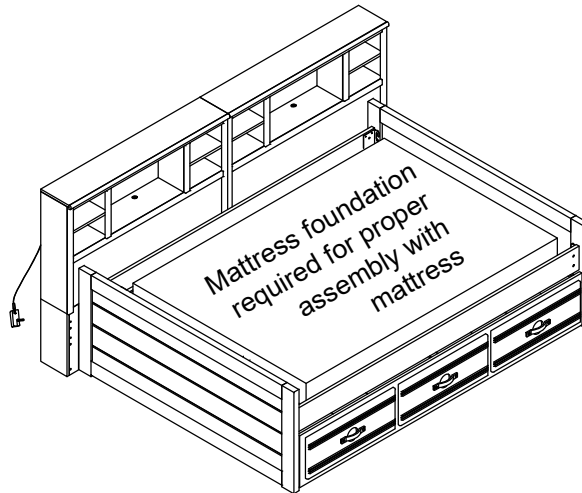
Thank you for purchasing this quality product. Be sure to check all packing material carefully for small parts which may have come loose inside the carton during shipment. Identify and count all parts and compare with the parts list below. Read all instructions before assembling bed and keep these instruction for future reference.

Assembly Instructions:

STEP 7

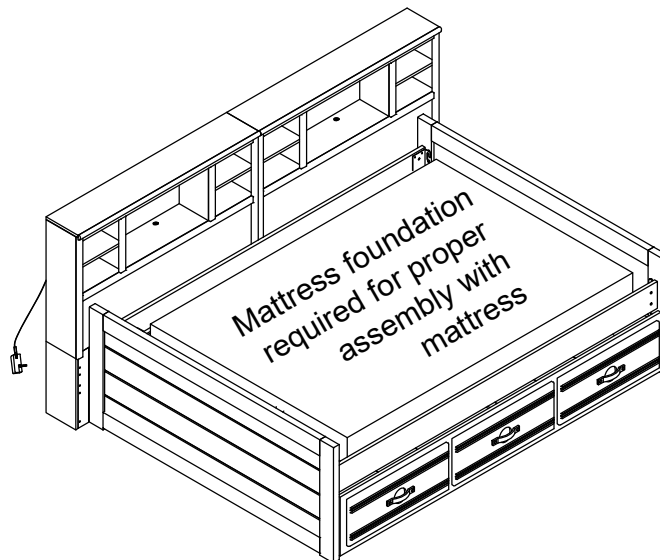
CONFIGURATION 10:

TWIN BOOKCASE WALL BED (SOLD SEPARATELY)



CONFIGURATION 11:

FULL BOOKCASE WALL BED (SOLD SEPARATELY)



A mattress foundation is required for proper assembly with mattress. Place the mattress foundation (not provided) on top

DO NOT USE SUBSTITUTE PARTS. PLEASE CONTACT YOUR RETAIL STORE OR WWW.ROOMSTOGO.COM WITH SERVICE OR PARTS REPLACEMENT REQUEST.

This product is manufactured by (JSFC) for **ROOMS TO GO® | KIDS**