

**(28-705) COTTAGE COLORS COLLECTION TOP BUNK BED ASSEMBLY INSTRUCTIONS**

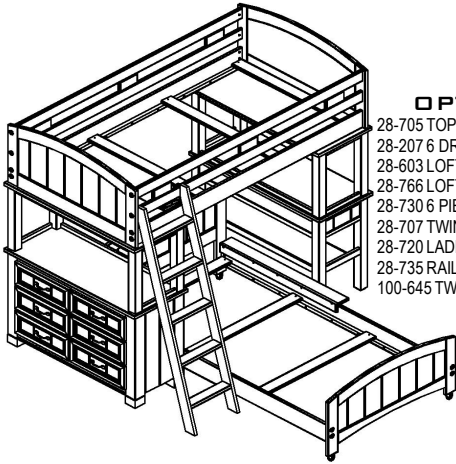
THANK YOU FOR YOUR PURCHASE !

PLEASE CONTACT YOUR RETAIL STORE WITH SERVICE OR PARTS REPLACEMENT REQUEST

READ ALL THE INSTRUCTIONS AND IDENTIFY ALL COMPONENTS AND CHOOSE YOUR CONFIGURATION AND BE SURE YOU HAVE ALL PARTS  
TWO PEOPLE ARE NEEDED TO ASSEMBLE.

DO NOT COMPLETELY TIGHTEN ALL BOLTS UNTIL ALL COMPONENTS ARE CONNECTED.

**CONFIGURATION TYPE # 1**



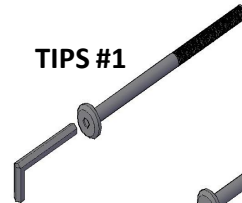
**OPTION # 1**

- 28-705 TOP BUNK BED (2 PCS)
- 28-207 6 DRAWER LOFT DRESSER
- 28-603 LOFT DESK
- 28-766 LOFT HUTCH (2 PCS)
- 28-730 6 PIECE RAILS
- 28-707 TWIN BOTTOM HDBD&FTBD
- 28-720 LADDER
- 28-735 RAIL CAP
- 100-645 TWIN SLATS (2 PCS)

**TIPS : SEE ILLUSTRATION BELOW**

- 1.- USE THE LONG END OF THE ALLEN WRENCH TO FASTEN BOLTS LOOSELY AND QUICKLY.
- 2.- USE THE SHORT END OF THE ALLEN WRENCH FOR FINAL TIGHTENING.

**TIPS #1**



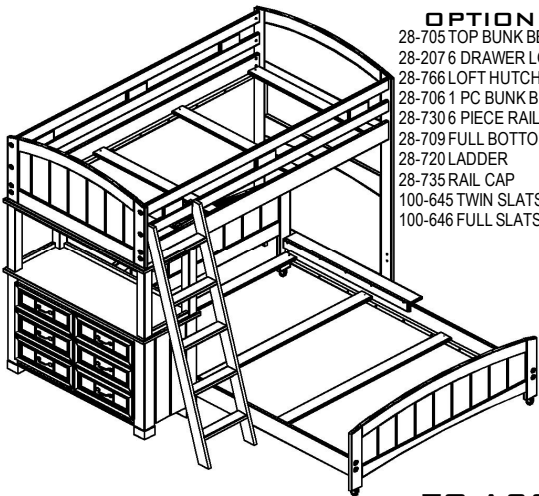
**TIPS #2**



**TOOLS NEEDED**

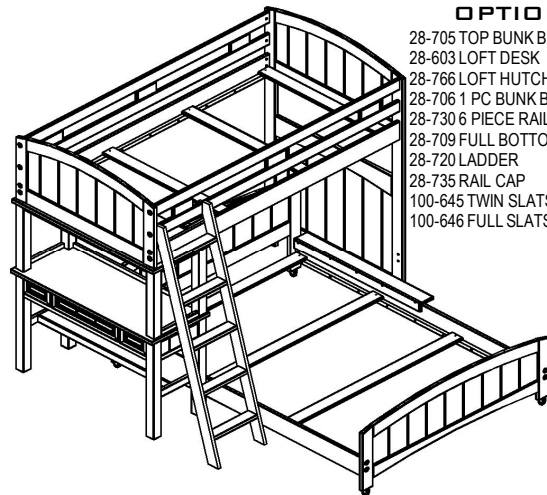
- PHILIPS HEADSCREWDRIVER (NOT INCLUDED)
- 5MM ALLEN WRENCH (INCLUDED)

**CONFIGURATION TYPE # 2**



**OPTION # 1**

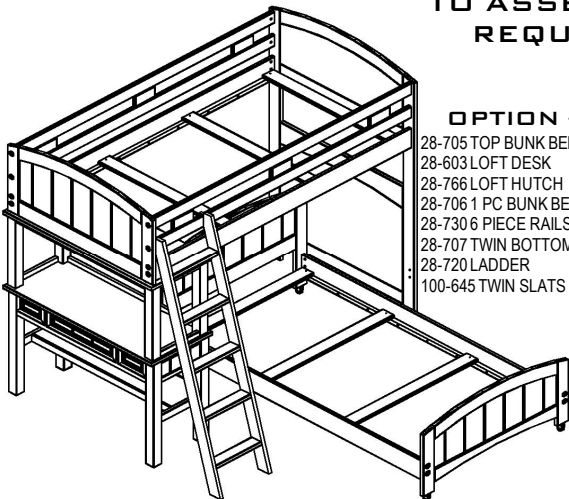
- 28-705 TOP BUNK BED
- 28-207 6 DRAWER LOFT DRESSER
- 28-766 LOFT HUTCH
- 28-706 1 PC BUNK BED END TWIN
- 28-730 6 PIECE RAILS
- 28-709 FULL BOTTOM HDBD&FTBD
- 28-720 LADDER
- 28-735 RAIL CAP
- 100-645 TWIN SLATS
- 100-646 FULL SLATS



**OPTION # 2**

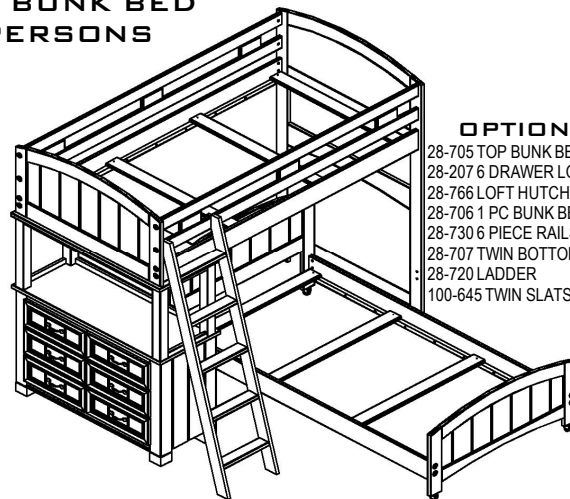
- 28-705 TOP BUNK BED
- 28-603 LOFT DESK
- 28-766 LOFT HUTCH
- 28-706 1 PC BUNK BED END TWIN
- 28-730 6 PIECE RAILS
- 28-709 FULL BOTTOM HDBD&FTBD
- 28-720 LADDER
- 28-735 RAIL CAP
- 100-645 TWIN SLATS
- 100-646 FULL SLATS

**TO ASSEMBLE THIS BUNK BED  
REQUIRES TWO PERSONS**



**OPTION # 3**

- 28-705 TOP BUNK BED
- 28-603 LOFT DESK
- 28-766 LOFT HUTCH
- 28-706 1 PC BUNK BED END TWIN
- 28-730 6 PIECE RAILS
- 28-707 TWIN BOTTOM HDBD&FTBD
- 28-720 LADDER
- 100-645 TWIN SLATS (2 PCS)



**OPTION # 4**

- 28-705 TOP BUNK BED
- 28-207 6 DRAWER LOFT DRESSER
- 28-766 LOFT HUTCH
- 28-706 1 PC BUNK BED END TWIN
- 28-730 6 PIECE RAILS
- 28-707 TWIN BOTTOM HDBD&FTBD
- 28-720 LADDER
- 100-645 TWIN SLATS (2 PCS)

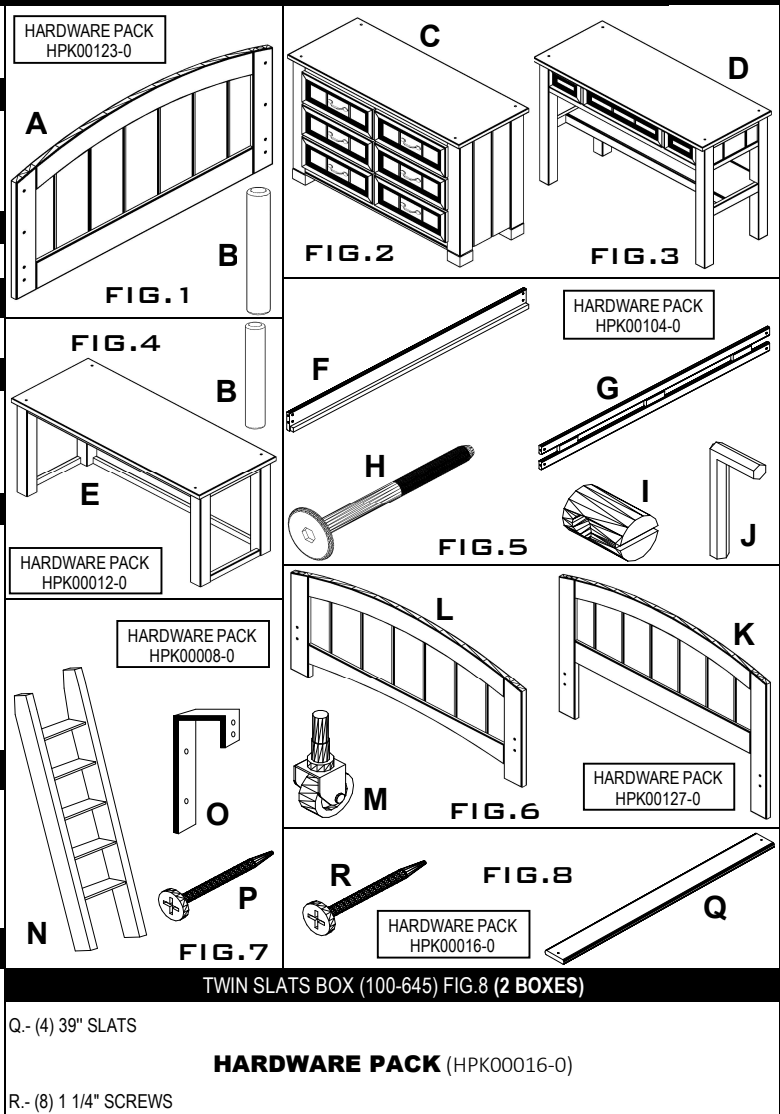
**WARNING:**

THE BED SLATS WILL NO SUPPORT A MATTRES ALONE, A SLAT PACK  
OR A BUNKIE BOARD IS REQUIRED FOR PROPER SAFETY.

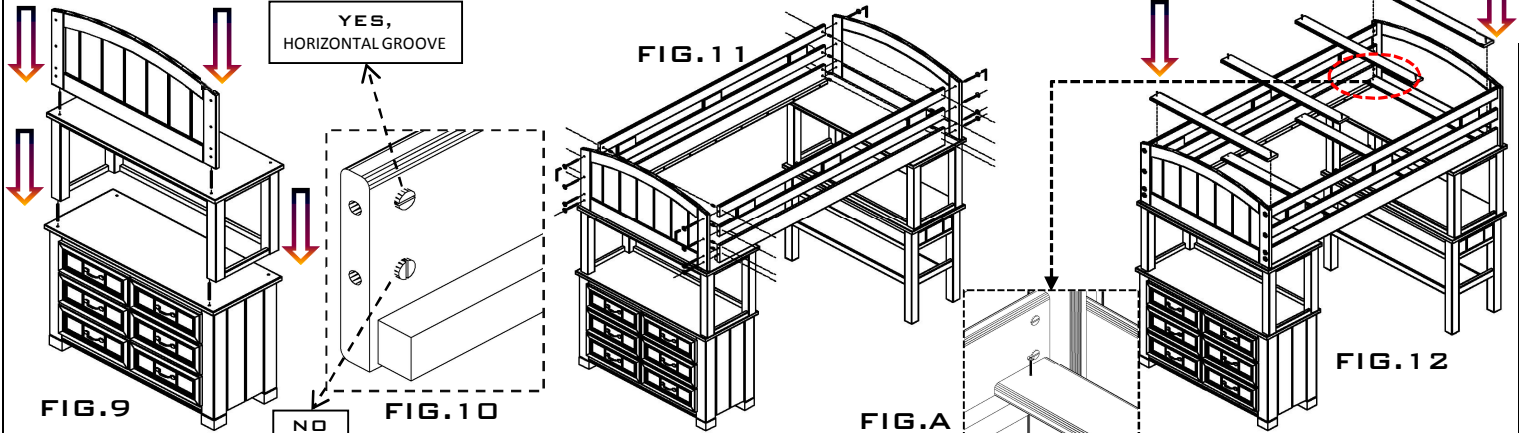
**(NOT INCLUDED)**

**TOP BUNK BED ASSEMBLY INSTRUCTIONS CONFIGURATION TYPE # 1**

|   |                                   |
|---|-----------------------------------|
| <b>LIST OF CONTENTS</b>                         |                                   |
| <b>COTTAGE COLORS COLLECTION</b>                |                                   |
| TOP BUNK BED BOX (28-705) FIG.1 (2PCS)          |                                   |
| A.- (1) TOP BUNK BED                            | <b>HARDWARE PACK</b> (HPK00123-0) |
| B.- (2) 4"METAL DOWEL PINS                      |                                   |
| 6 DRAWER LOFT DRESSER BOX (28-207) FIG.2        |                                   |
| C.- (1) LOFT DRESSER                            |                                   |
| LOFT DESK BOX (28-603) FIG.3                    |                                   |
| D.- (1) LOFT DESK                               |                                   |
| LOFT HUTCH BOX (28-766) FIG.4 (2PCS)            |                                   |
| E.- (1) LOFT HUTCH                              | <b>HARDWARE PACK</b> (HPK00012-0) |
| B.- (2) 4"METAL DOWEL PINS                      |                                   |
| 6 PIECE RAILS BOX (28-730) FIG.5                |                                   |
| F.- (4) SIDE RAILS                              |                                   |
| G.- (2) GUARD RAILS                             | <b>HARDWARE PACK</b> (HPK00104-0) |
| H.- (24) 80MM FLAT HEAD BOLTS                   |                                   |
| I.- (24) 5/16"-18 X 5/8" CROSS DOWEL NUTS BLACK |                                   |
| J.- (1) 5MM ALLEN WRENCH                        |                                   |
| TWIN BOTTOM HDBD&FTBD BOX (28-707) FIG.6        |                                   |
| K.- (1) HEADBOARD                               |                                   |
| L.- (1) FOOTBOARD                               | <b>HARDWARE PACK</b> (HPK00127-0) |
| M.- (4) CASTER SOCKETS                          |                                   |
| LADDER BOX (28-720) FIG.7                       |                                   |
| N.- (1) LADDER                                  | <b>HARDWARE PACK</b> (HPK00008-0) |
| O.- (2) METAL HOOK BRACKETS                     |                                   |
| P.- (6) 1" SCREWS                               |                                   |

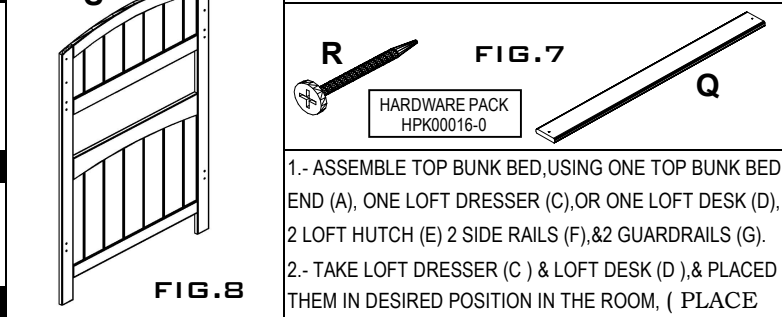
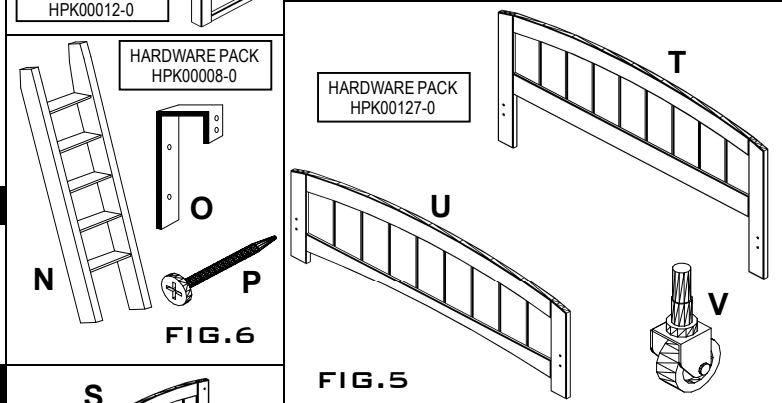
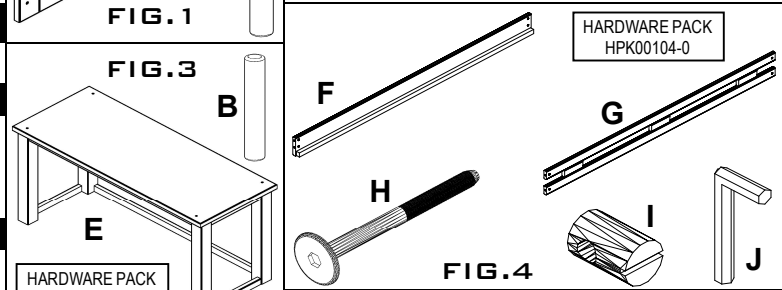
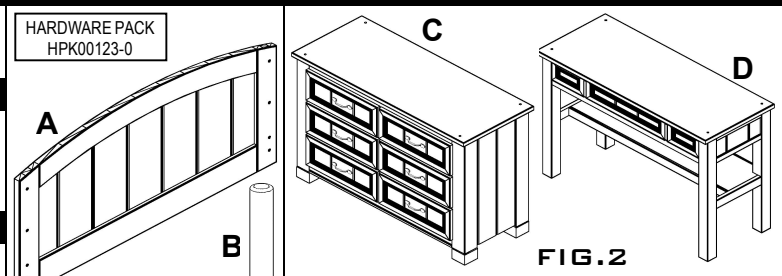


- 1.- ASSEMBLE TOP BUNK BED, USING TWO TOP BUNK BEDS (A),ONE LOFT DRESSER (C),ONE LOFT DESK (D),TWO LOFT HUTCH (E) TWO SIDE RAILS (F),&TWO GUARDRAILS (G)
- 2.- TAKE LOFT DRESSER (C) AND LOFT DESK (D), THEN PLACED THEM IN DESIRED POSITION IN THE ROOM, (PLACE FRONT FACE OF DESK OUTWARDS).
- 3.- INSERT TWO METAL DOWEL PINS (B) ON TOP IN EACH OUTSIDE CORNER OF LOFT DRESSER&LOFT DESK, TAKE THE LOFT HUTCH (E),&PLACE IT ON TOP OF LOFT DRESSER & LOFT DESK ALIGNING THE METAL DOWEL PIN WITH EACH PRE - DRILLED HOLE IN EVERY END OF THE LOFT HUTCH UNTIL THE METAL DOWEL PIN ARE ALL THE WAY IN THE HOLE OF THE LOFT HUTCH, REPEAT THE SAME PROCESS WITH TOP BUNK BED (A), **SEE FIG.9**
- 4.-INSERT 2 CROSS DOWEL NUTS (I) IN ACCESS HOLE INSIDE THE SIDE RAIL&GUARDRAIL,ALIGN THE CROSS DOWEL NUT,MAKE SURE THE GROOVE IS HORIZONTAL,SEE FIG.10
- 5.- ATTACH TWO SIDE RAILS & TWO GUARD RAILS TO LOFT DRESSER/HUTCH/TOP BUNK BED ASSEMBLY&LOFT DESK/HUTCH/TOP BUNK BED ASSEMBLY, INSERTING TWO FLAT HEAD BOLST (H) INTO TOP BUNK BED HOLES, USE THE 5MM ALLEN WRENCH (J) TO TIGHTEN BOTH BOLTS,(DO NO TIGHTEN COMPLETELY UNTIL ALL PIECES ARE CONNECTED TOGETHER) **SEE FIG.11**, REPEAT THE SAME PROCESS ON ALL FOUR CORNERS.
- 6.- PLACE FOUR SLATS (Q) ON TOP SIDE RAIL CLEATS,ONE SLAT IN BOTH ENDS,PUSH THE SLAT AGAINST THE BED END POST (FIG.A)&TWO SLATS IN THE MIDDLE AT EQUAL DISTANCE FROM THE END SLATS, THEN EACH SLAT MUST BE FASTEN WITH TWO 1 1/4" SCREWS (R), **SEE FIG.12**



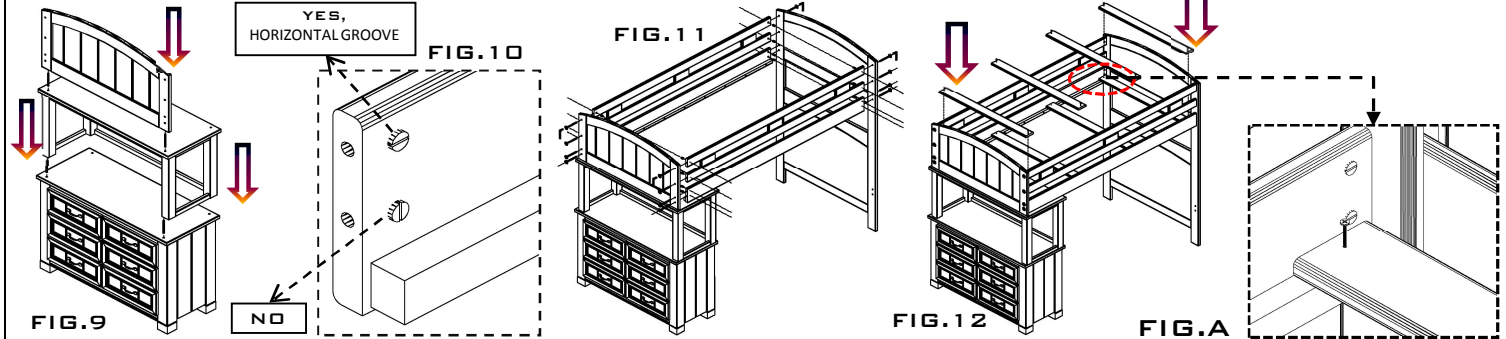
**TOP BUNK BED ASSEMBLY INSTRUCTIONS CONFIGURATION TYPE # 2**

|   |   |
|---|---|
| <b>LIST OF CONTENTS</b>                         |   |
| <b>COTTAGE COLORS COLLECTION</b>                |   |
| TOP BUNK BED BOX (28-705) FIG.1                 |   |
| A.- (1) TOP BUNK BED                            | <b>HARDWARE PACK</b> (HPK00123-0)         |
| B.- (2) 4"METAL DOWEL PINS                      | 6 DRAWER LOFT DRESSER BOX (28-207) OR     |
| C.- (1) LOFT DRESSER                            | LOFT DESK BOX (28-603) FIG.2              |
| D.- (1) LOFT DESK                               | LOFT HUTCH BOX (28-766) FIG.3             |
| E.- (1) LOFT HUTCH                              | <b>HARDWARE PACK</b> (HPK00012-0)         |
| B.- (2) 4"METAL DOWEL PINS                      | 6 PIECE RAILS BOX (28-730) FIG.4          |
| F.- (4) SIDE RAILS                              | <b>HARDWARE PACK</b> (HPK00104-0)         |
| G.- (2) GUARD RAILS                             | H.- (24) 80MM FLAT HEAD BOLTS             |
| I.- (24) 5/16"-18 X 5/8" CROSS DOWEL NUTS BLACK | J.- (1) 5MM ALLEN WRENCH                  |
| FULL BOTTOM HDBD&FTBD BOX (28-709) FIG.5        |   |
| T.- (1) HEADBOARD                               | U.- (1) FOOTBOARD                         |
| <b>HARDWARE PACK</b> (HPK00127-0)               |   |
| V.- (4) CASTER SOCKETS                          | LADDER BOX (28-720) FIG.6                 |
| N.- (1) LADDER                                  | <b>HARDWARE PACK</b> (HPK00008-0)         |
| O.- (2) METAL HOOK BRACKETS                     | P.- (6) 1" SCREWS                         |
| TWIN/FULL SLATS BOX (100-645,100-646) FIG.7     |   |
| Q.- (4) 39", 54" SLATS                          | <b>HARDWARE PACK</b> (HPK00016-0)         |
| R.- (8) 1 1/4" SCREWS                           | 1 PC BUNK BED END TWIN BOX (28-706) FIG.8 |
| S.- (1) 1 PC BUNK BED END TWIN                  |   |



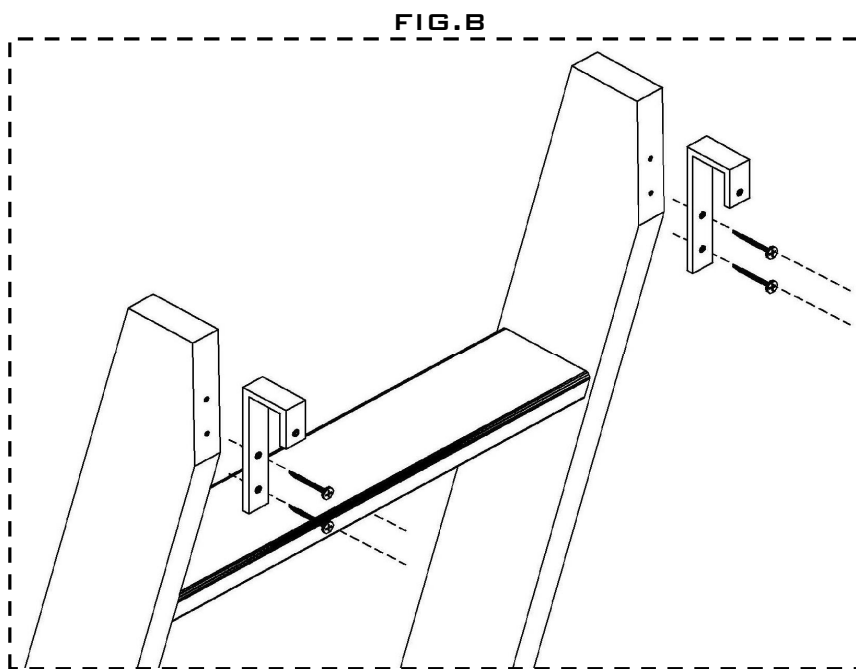
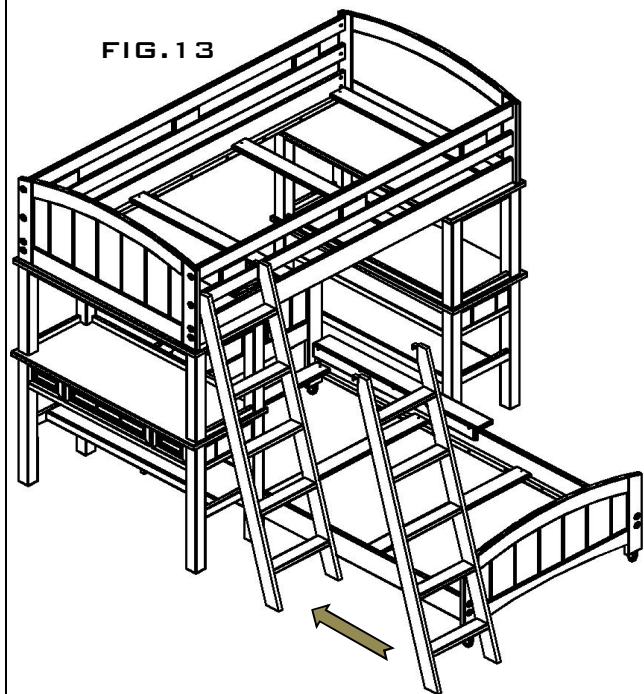
1.- ASSEMBLE TOP BUNK BED, USING ONE TOP BUNK BED END (A), ONE LOFT DRESSER (C), OR ONE LOFT DESK (D), 2 LOFT HUTCH (E) 2 SIDE RAILS (F), & 2 GUARDRAILS (G).  
 2.- TAKE LOFT DRESSER (C) & LOFT DESK (D), & PLACED THEM IN DESIRED POSITION IN THE ROOM, ( PLACE FRONT FACE OF DESK OUTWARDS).  
 3.- INSERT TWO DOWEL PINS (B) ON TOP IN EACH OUTSIDE CORNER OF LOFT DRESSER

OR LOFT DESK, TAKE THE LOFT HUTCH (E), & PLACE IT ON TOP OF LOFT DRESSER & LOFT DESK ALIGNING THE METAL DOWEL PIN WITH EACH PRE - DRILLED HOLE IN EVERY END OF LOFT HUTCH UNTIL THE METAL DOWEL PIN ARE ALL THE WAY IN THE HOLE OF THE LOFT HUTCH, REPEAT THE SAME PROCESS WITH TOP BUNK BED (A), (FIG.9)  
 4.- INSERT 2 CROSS DOWEL NUTS (I) IN ACCESS HOLE INSIDE THE SIDE RAIL & GUARD RAIL, ALIGN CROSS DOWEL NUT, MAKE SURE THE GROOVE IS HORIZONTAL, (FIG.10)  
 5.- ATTACH TWO SIDE RAILS & TWO GUARDRAILS TO DRESSER/HUTCH/TOP BUNK BED ASSEMBLY & 1 PC BUNK BED END TWIN (S), INSERTING TWO FLAT BOLTS (H) INTO TOP BUNK BED & 1 PC BUNK BED END TWIN HOLES, USE ALLEN WRENCH TO TIGHTEN BOLTS, (DO NOT TIGHTEN COMPLETELY UNTIL ALL PIECES ARE CONNECTED TOGETHER), FIG.11  
 5.- PLACE FOUR SLATS (Q) ON TOP SIDE RAIL CLEATS, ONE SLAT IN BOTH ENDS, PUSH THE SLAT AGAINST THE BED END POST (FIG.8) & TWO SLATS IN THE MIDDLE AT EQUAL DISTANCE FROM THE END SLATS, THEN EACH SLAT MUST BE FASTEN WITH TWO 1 1/4" SCREWS (S). SEE FIG.12



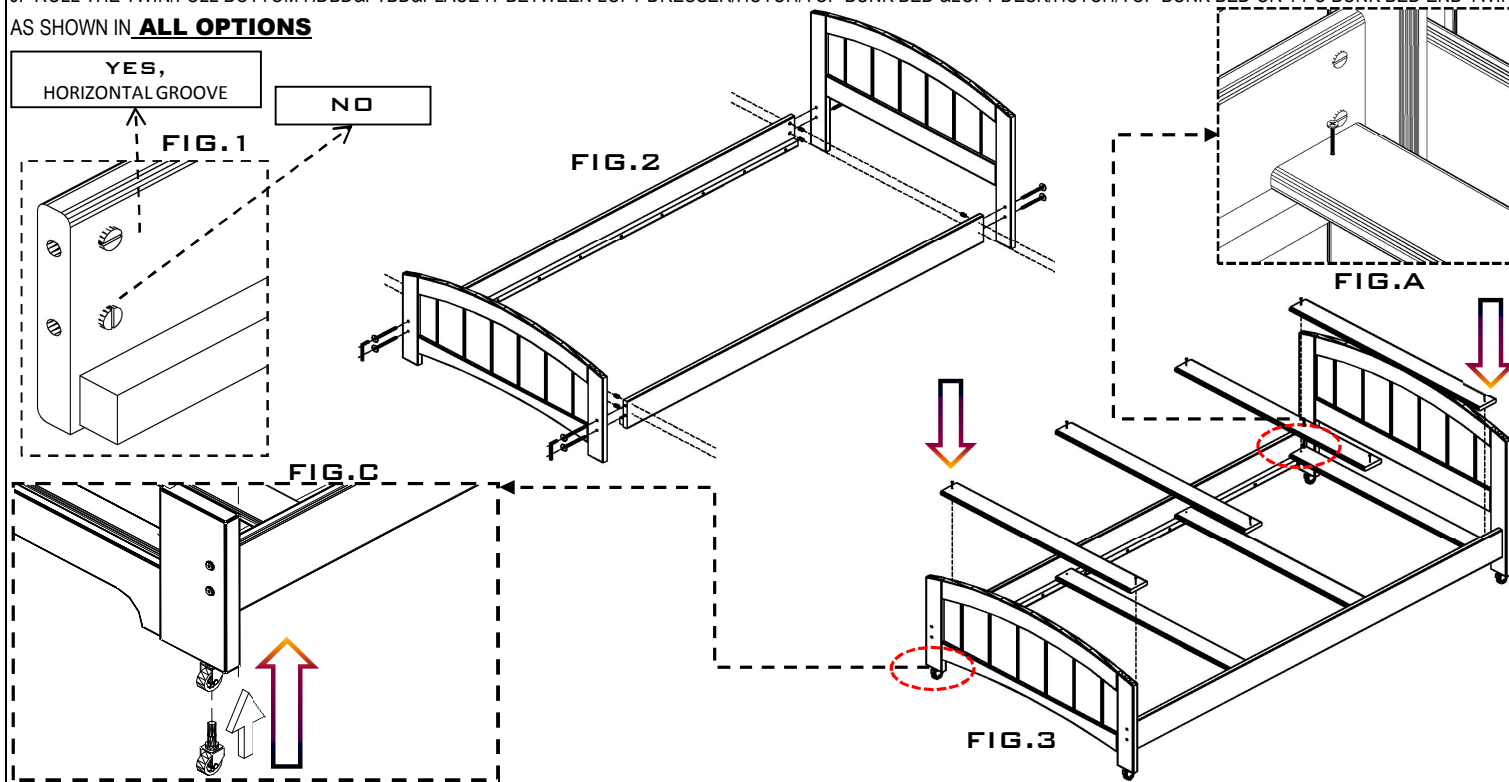
CANYON FURNITURE COMPANY  
**LADDER ASSEMBLY INSTRUCTIONS**

1.- ALIGN THE PRE- DRILLED HOLES IN LONG PART OF METAL HOOKS BRACKETS (O) WITH THE PRE- DRILLED HOLES IN THE LADDER (N), SECURE WITH 1" SCREWS (P) USING PHILLIPS HEADSCREWDRIVER (**NOT INCLUDED**), SEE FIG.B & HOOK THE LADDER IN THE PROPER POSITION, ADJUST AND ALIGN THE PRE-DRILLED HOLES IN THE SHORT PART OF METAL HOOKS ON TOP GUARDRAIL AND SECURE THE LADDER, AS SHOWN IN **FIG.13**



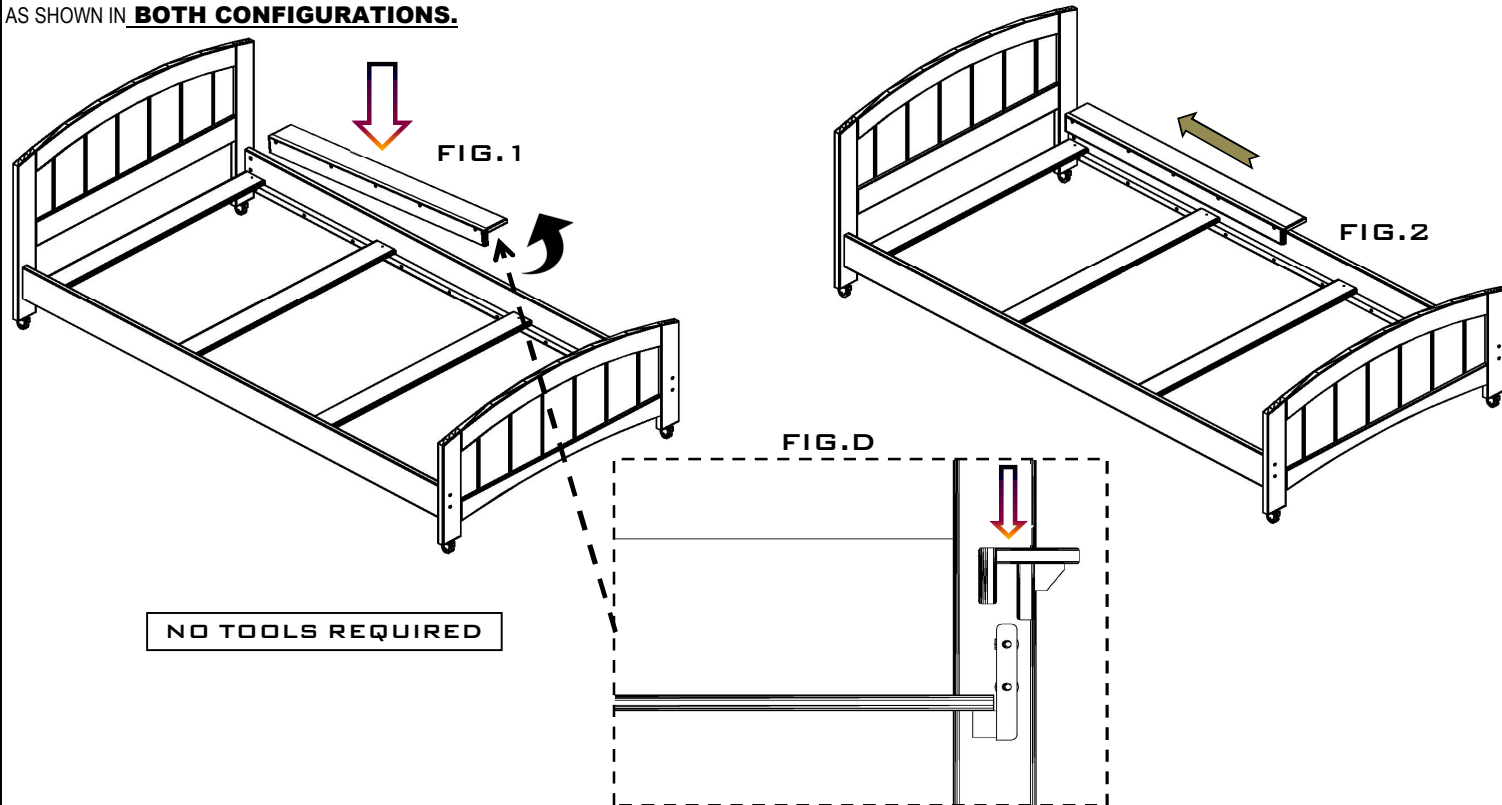
**TWIN/FULL BOTTOM HDBD&FTBD ASSEMBLY INSTRUCTIONS**

- 1.- ASSEMBLE TWIN/FULL BOTTOM HDBD&FTBD, USING ONE HEADBOARD (K), ONE FOOTBOARD (L) AND TWO SIDE RAILS (F).
- 2.- INSERT TWO CROSS DOWEL NUTS (I) IN ACCESS HOLE INSIDE THE SIDE RAIL, ALIGN THE CROSS DOWEL NUT, MAKE SURE THE GROOVE IS HORIZONTAL, **SEE FIG.1**
- 3.- ATTACH THE HDBD&FTBD INTO THE SIDE RAILS, INSERTING TWO FLAT HEAD BOLTS (H) INTO THE HEADBOARD & FOOTBOARD HOLES, USE THE 5MM ALLEN WRENCH (J) TO TIGHTEN BOLTS UNTIL SECURE, **SEE FIG.2**
- 4.- PLACE FOUR SLATS (Q) ON SIDE RAIL CLEATS, ONE SLAT IN BOTH ENDS, PUSH THE SLAT AGAINST THE BED END POST (**FIG.A**) AND TWO SLATS IN THE MIDDLE AT EQUAL DISTANCE FROM THE END SLATS, THEN EACH SLAT MUST BE FASTEN WITH TWO 1 1/4" SCREWS (R), **SEE FIG.3**
- 5.- INSERT THE CASTER SOCKETS (M) INTO BOTTOM CORNERS OF THE HEADBOARD&FOOTBOARD, **SEE FIG.C**
- 6.- ROLL THE TWIN/FULL BOTTOM HDBD&FTBD & PLACE IT BETWEEN LOFT DRESSER/HUTCH/TOP BUNK BED & LOFT DESK/HUTCH/TOP BUNK BED OR 1 PC BUNK BED END TWIN AS SHOWN IN **ALL OPTIONS**



CANYON FURNITURE COMPANY  
RAIL CAP ASSEMBLY INSTRUCTION

- 1.- WHEN PURCHASING TWIN/FULL BOTTOM HDBD&FTBD, WE RECOMMEND YOU TO USE THE RAIL CAP (28-735)
- 2.- TO INSTALL THE RAIL CAP, PLACE IT AS FIG.D, MAKE SURE THE RAIL CAP IS INSERTED ON THE SIDE RAIL AND PUSHED TO THE HEADBOARD, SEE FIG.2
- 3.- ROLL THE TWIN/FULL BOTTOM HDBD&FTBD & PLACE IT BETWEEN LOFT DRESSER/HUTCH/TOP BUNK BED&LOFT DESK/HUTCH/TOP BUNK BED OR 1 PC BUNK BED END TWIN AS SHOWN IN **BOTH CONFIGURATIONS.**



**SAFETY WARNINGS**

- 1.- FOLLOW THE INFORMATION ON THE WARNINGS APPEARING ON THE UPPER BUNK END STRUCTURE AND ON THE CARTON. DO NOT REMOVE WARNING LABEL FROM BED.
- 2.- ALWAYS USE THE RECOMMENDED SIZE MATTRESS OR MATTRESS SUPPORT, OR BOTH TO HELP PREVENT THE LIKELIHOOD OF ENTRAPMENT OR FALLS.
- 3.- SURFACE OF MATTRESS MUST BE AT LEAST 5 IN BELOW THE UPPER EDGE OF GUARDRAILS.
- 4.- DO NOT ALLOW CHILDREN UNDER 6 YEARS OF AGE TO USE THE UPPER BUNK.
- 5.- PROHIBIT MORE THAN ONE PERSON ON UPPER BUNK.
- 6.- PERIODICALLY CHECK AND ENSURE THAT THE GUARD RAIL, LADDER AND OTHER COMPONENTS ARE IN THEIR PROPER POSITION, **FREE FROM DAMAGE**, AND THAT ALL CONNECTORS ARE TIGHT.
- 7.- DO NOT ALLOW HORSEPLAY ON OR UNDER THE BED AND PROHIBIT JUMPING ON THE BED.
- 8.- ALWAYS USE THE LADDER FOR ENTERING AND LEAVING THE UPPER BUNK.
- 9.- DO NOT USE SUBSTITUTE PARTS. CONTACT THE MANUFACTURER OR DEALER FOR REPLACEMENT PARTS.
- 10.- USE OF A NIGHT LIGHT MAY PROVIDE ADDED SAFETY PRECAUTION FOR A CHILD USING THE UPPER BUNK.
- 11.- IF THE BUNK BED WILL BE PLACED NEXT TO THE WALL THE GUARDRAIL THAT RUNS THE FULL LENGTH OF THE BED SHOULD BE PLACED AGAINST THE WALL TO PREVENT ENTRAPMENT BETWEEN THE BED AND THE WALL.
- 12.- ALWAYS USE GUARDRAILS ON BOTH LONG SIDES OF THE UPPER BUNK.
- 13.- THE USE OF WATER OR SLEEP FLOTATION MATTRESSES IS PROHIBITED.
- 14.- **STRANGULATION HAZARD.** NEVER ATTACH OR HANG ITEMS TO ANY PART OF THE BUNK BED THAT ARE NOT DESIGNED FOR USE WITH THE BED, FOR EXAMPLE BUT NOT LIMITED TO HOOKS, BELTS AND JUMP ROPES.
- 15.- KEEP THESE INSTRUCTIONS FOR FUTURE REFERENCE.

**SIZE OF MATTRESS AND FOUNDATION**

THE UPPER&LOWER BUNK BED IS DESIGNED TO USE ONLY A MATTRESS WHICH IS **74" TO 75" LONG AND 37 1/2" TO 38 1/2" WIDE FOR TWIN BED.**  
WHEN THE LOWER BUNK BED IS A FULL BED, THE LOWER BUNK IS DESIGNED TO USE ONLY A MATTRESS WHICH IS **74" TO 75" LONG AND 52 1/2" X 53 1/2" WIDE.**  
THE BUNKIE BOARD IS REQUIRED TO **37 1/2" WIDE X 74" LONG FOR TWIN BED AND 52 1/2" WIDE X 74" LONG FOR FULL BED.**

**NOTE:ENSURE THICKNESS OF MATTRESS AND FOUNDATION COMBINED DOES NOT EXCEED 10" AND MATTRESS IS AT LEAST 5" BELOW UPPER EDGE OF GUARDRAILS.**

**REPLACEMENT PARTS**

REPLACEMENT PARTS, INCLUDING ADDITIONAL GUARDRAILS, MAY BE OBTAINED FROM ANY OF OUR CANYON FURNITURE COMPANY DEALERS.