

ROOMS TO GO

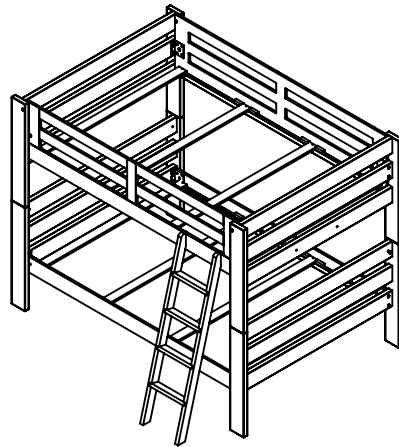
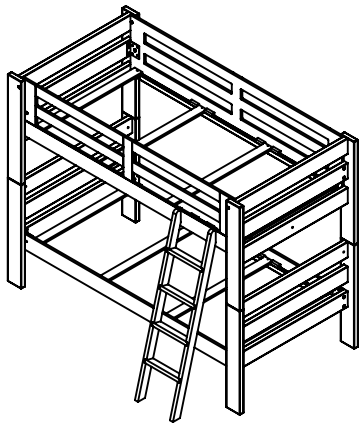
KIDS

Manufactured for Rooms To Go

MONTANA 2.0

TWIN / TWIN LADDER BUNK BED

FULL / FULL LADDER BUNK BED



Use only correct mattress dimensions and Bunkie board:

Twin size - 74" - 75" long and 37-1/2"-38-1/2" wide

Full size - 74" - 75" long and 52-1/2"-53-1/2" wide

Futon size - 75" long and 53" wide

MONTANA 2.0 - MONTANA ESPRESSO - PACKAGE#3591480P		
RTG SKU#	STYLE#	ITEM DESCRIPTION
35414806	MNT2-10-48	UPPER TWIN HB & FB
35514808	MNT2-11-48	LOWER TWIN HB & FB
35614800	MNT2-12-48	RAILS W/ TWIN SLATS
36214803	MNT2-25-48	LADDER

MONTANA 2.0 - MONTANA DRIFTWOOD - PACKAGE#3591482P		
RTG SKU#	STYLE#	ITEM DESCRIPTION
35414820	MNT2-10-39N	UPPER TWIN HB & FB
35514822	MNT2-11-39N	LOWER TWIN HB & FB
35614824	MNT2-12-39N	RAILS W/ TWIN SLATS
36214827	MNT2-25-39N	LADDER

MONTANA 2.0 - MONTANA ESPRESSO - PACKAGE# 3601480P		
RTG SKU#	STYLE#	ITEM DESCRIPTION
35414802	MNT2-13-48	UPPER FULL HB & FB
35514804	MNT2-14-48	LOWER FULL HB & FB
35614806	MNT2-15-48	RAILS W/ FULL SLATS
36214803	MNT2-25-48	LADDER

MONTANA 2.0 - MONTANA DRIFTWOOD - PACKAGE#3601482P		
RTG SKU#	STYLE#	ITEM DESCRIPTION
35414826	MNT2-13-39N	UPPER FULL HB & FB
35514828	MNT2-14-39N	LOWER FULL HB & FB
35614820	MNT2-15-39N	RAILS W/ FULL SLATS
36214827	MNT2-25-39N	LADDER

PLEASE CONTACT YOUR RETAIL STORE WITH SERVICE OR PARTS REPLACEMENT REQUEST

ROOMS TO GO
KIDS
 Manufactured for Rooms To Go

MATTRESS AND BUNKIE BOARD CHART

PACKAGE	DESCRIPTION	TOP BED	BOTTOM BED
3591480P MONTANA ESPRESSO	Twin/Twin Bunk Bed	Twin Mattress Twin Bunkie board required	Twin Mattress Twin Bunkie board required
3591482P MONTANA DRIFTWOOD	Twin/Twin Bunk Bed	Twin Mattress Twin Bunkie board required	Twin Mattress Twin Bunkie board required
3601480P MONTANA ESPRESSO	Full/Full Bunk Bed	Full Mattress Full Bunkie board required	Full Mattress Full Bunkie board required
3601482P MONTANA DRIFTWOOD	Full/Full Bunk Bed	Full Mattress Full Bunkie board required	Full Mattress Full Bunkie board required

Use only correct mattress dimensions and Bunkie board:

Twin size mattress- 74" - 75" long and 37-1/2"-38-1/2" wide

Twin size Bunkie board- 74" long and 37-1/2" wide

Full size mattress- 74" - 75" long and 52-1/2"-53-1/2" wide

Full size Bunkie board- 74" long and 54" wide

Futon size mattress - 75" long and 53" wide

ROOMS TO GO

KIDS

Manufactured for Rooms To Go Kids



WARNING DANGER:

Failure to follow these warnings and assembly instructions could result in serious injury or death. To help prevent serious or fatal injuries from entrapment or falls:

- Read all instructions before assembling bunk bed and keep these instructions for future reference.
- Before each usage or assembly, inspect bunk bed for damaged hardware, loose joints, missing parts, or sharp edges. DO NOT use bunk bed if any parts are missing or broken.
- DO NOT use substitute parts. Contact your local Rooms To Go or visit www.ROOMSTOGO.com for replacement parts and instructional literature if needed.
- Follow the information on the warnings appearing on the upper bunk end structure and on the carton. DO NOT REMOVE WARNING LABEL FROM BED.
- Always use the recommended size mattresses or mattress supports, or both, to help prevent the likelihood of entrapment or falls.
- Ensure thickness of mattress and foundation combined does not exceed 10" and mattress surface is at least 5 inches (127mm) below upper edge of guardrails for upper bunk.
- Do not allow children under 6 years of age to use the upper bunk.
- Periodically check and ensure that the guardrail, ladder, and other components are in their proper position, free from damage, and that all connectors are tight.
- Do not allow horseplay on or under the bed and prohibit jumping on the bed.
- Limit top bunk use to one person.
- Always use the ladder for entering and leaving the upper bunk.
- Use of a night light may provide added safety precaution for a child using the upper bunk.
- Always use guardrails on both long sides of the upper bunk. If the bunk bed will be placed next to the wall, the guardrail that runs the full length of the bed should be placed against the wall to prevent entrapment between the bed and wall.
- The use of water or sleep flotation mattresses is prohibited.
- This bunk bed meets the requirements of ASTM 1427-19.



STRANGULATION HAZARD:

Never attach or hang items to any part of the bunk bed that are not designed for use with the bed; for example, but not limited to, hooks, belts and jump ropes.

ROOMS TO GO KIDS

Manufactured for Rooms To Go Kids

Pre - Assembly

Warning:

The bed slats included with this bed will not support a mattress alone, this bed requires Bunkie boards (sold separately).

Read all the instructions, identify all components, choose your configuration, and be sure you have all parts prior to assembly.

Tools Needed

Phillips heads screwdriver (not included)
5mm allen wrench (included)

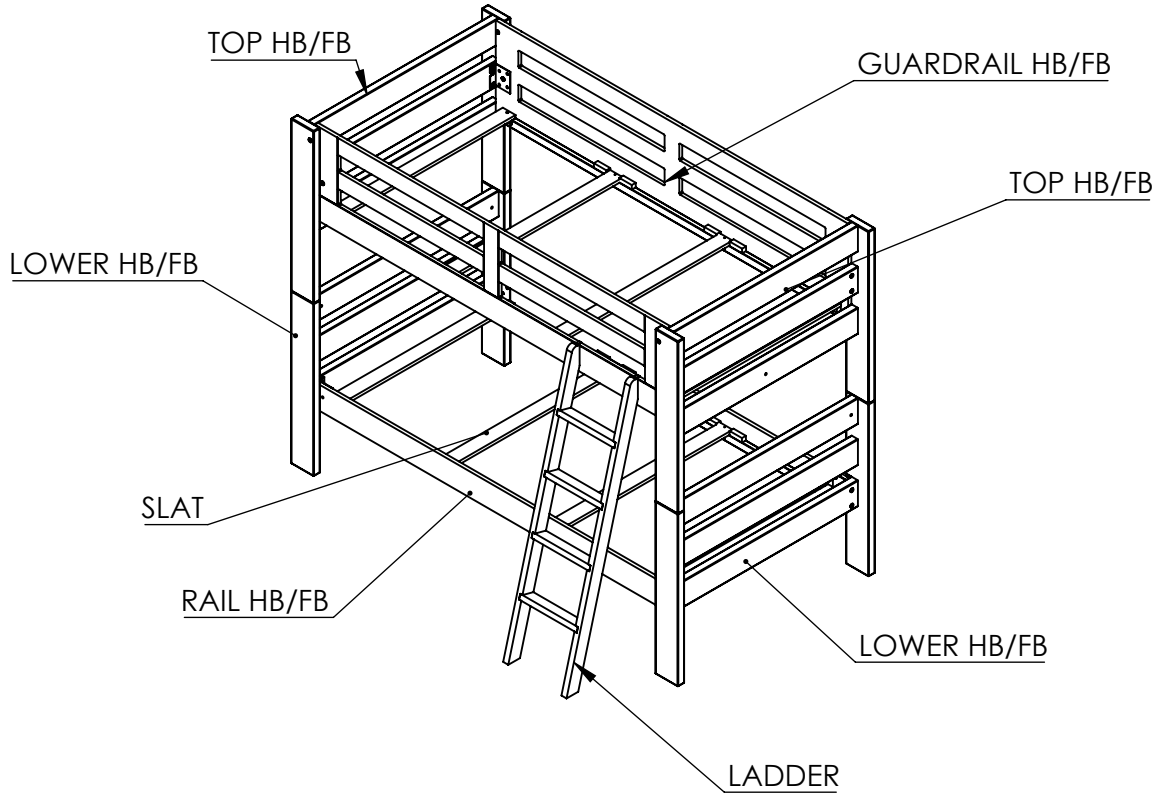
MAKE SURE ALL BOLTS ARE TIGHTENED COMPLETELY

CARE INSTRUCTIONS:

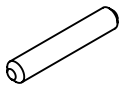




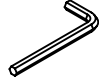
Dust with a clean, soft cloth. Avoid the use of all abrasive cleaners.

PLEASE CONTACT YOUR RETAIL STORE WITH SERVICE OR PARTS REPLACEMENT REQUEST

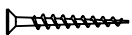
PARTS LIST



LOCATED IN RAILS W/ SLATS BOX

A		04	METAL PIN
B		16	#6 x 1 1/2" SCREW
C		20	CAP NUT
D		16	1/4" -20x30mm BOLT
E		04	1/4" -20x50mm BOLT
F		02	ALLEN KEY

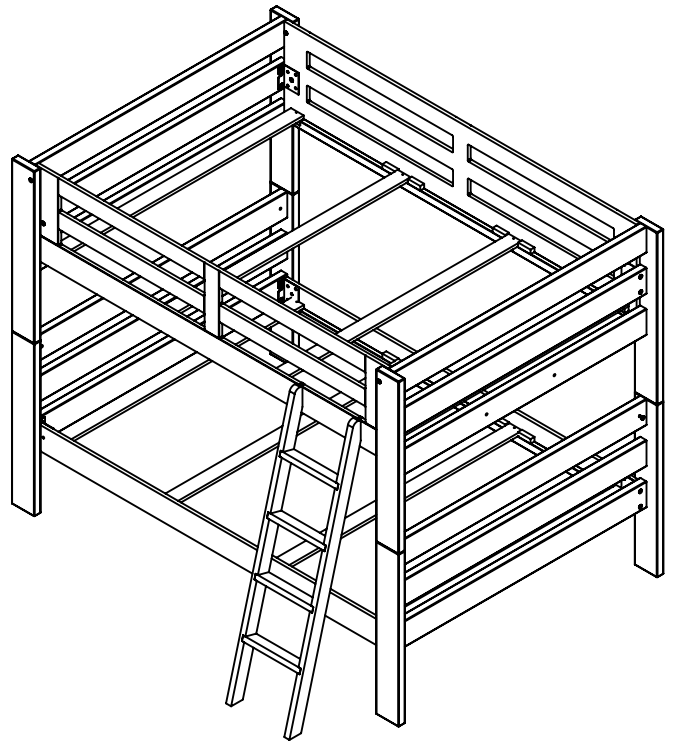
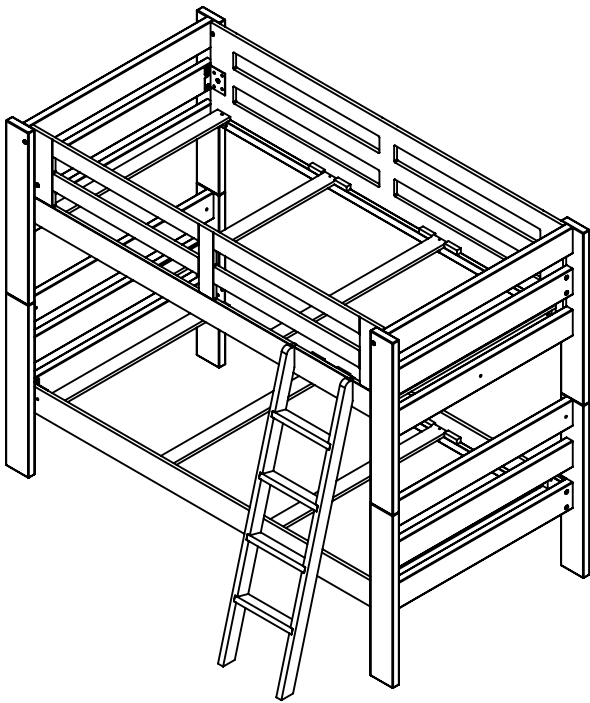
LOCATED IN LADDER BOX

G		01	#6 x 3/4" SCREW

ASSEMBLY INSTRUCTIONS

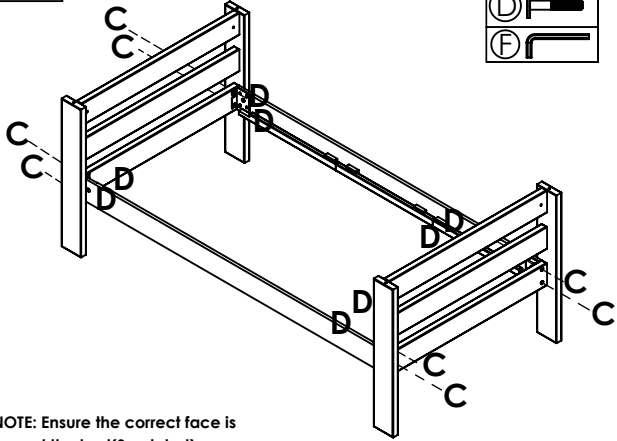
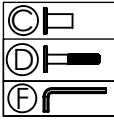
(DO NOT TIGHTEN COMPLETELY UNTIL ALL PIECES ARE CONNECTED TOGETHER)

FIRST DETERMINE THE CONFIGURATION THAT FITS YOUR ROOM



(DO NOT TIGHTEN COMPLETELY UNTIL ALL PIECES ARE CONNECTED TOGETHER)

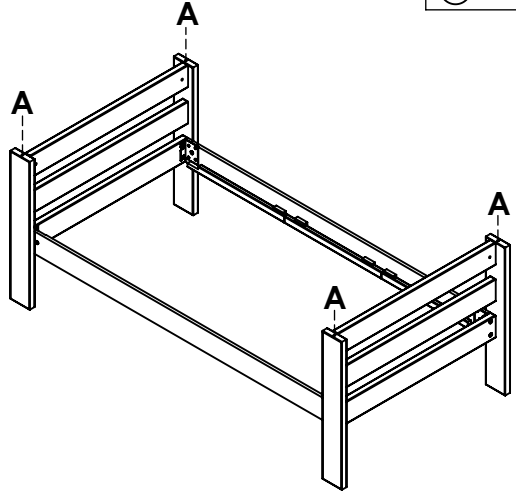
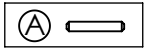
1
STEP



NOTE: Ensure the correct face is toward the bed (See label).

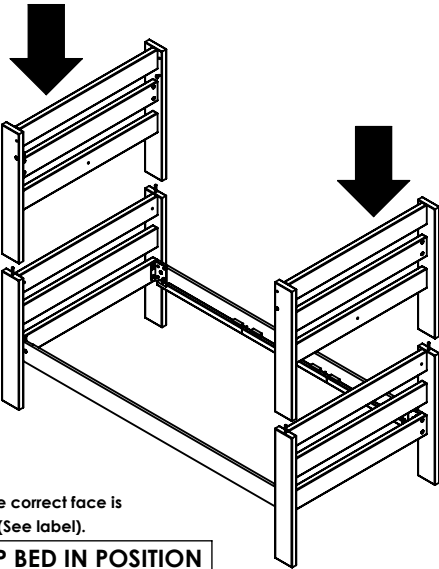
ASSEMBLE BOTTOM BED

2
STEP



INSERT METAL DOWEL PINS

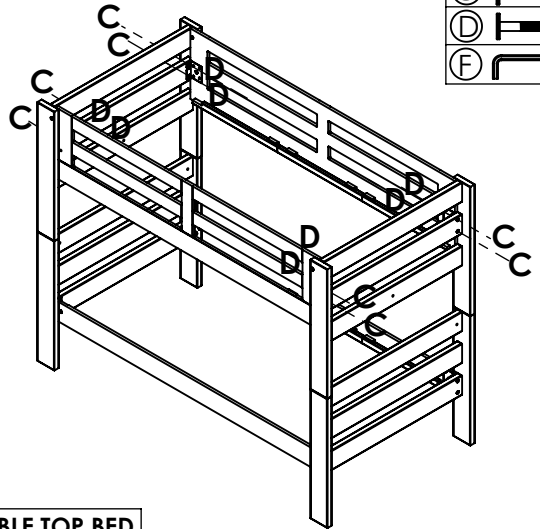
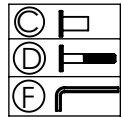
3
STEP



NOTE: Ensure the correct face is toward the bed (See label).

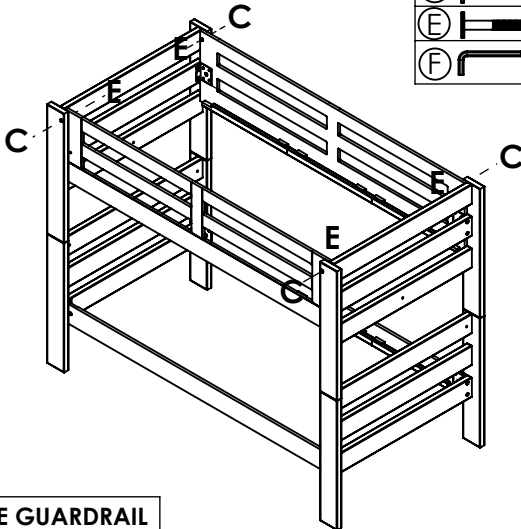
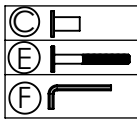
PLACE TOP BED IN POSITION

4
STEP



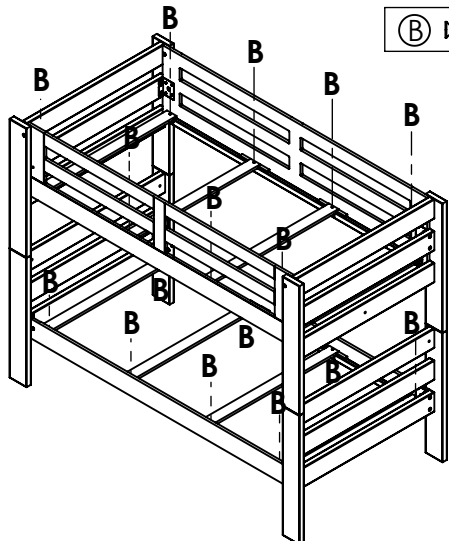
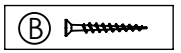
ASSEMBLE TOP BED

5
STEP



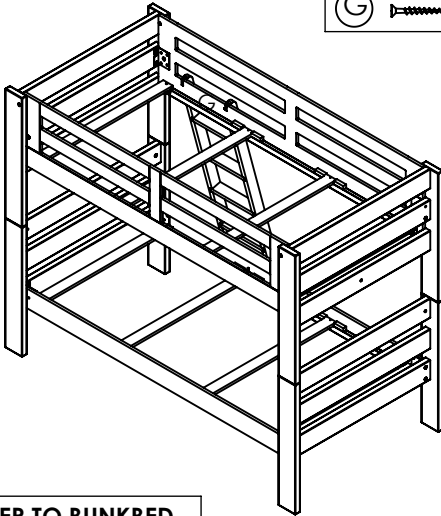
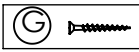
SECURE GUARDRAIL

6
STEP



7

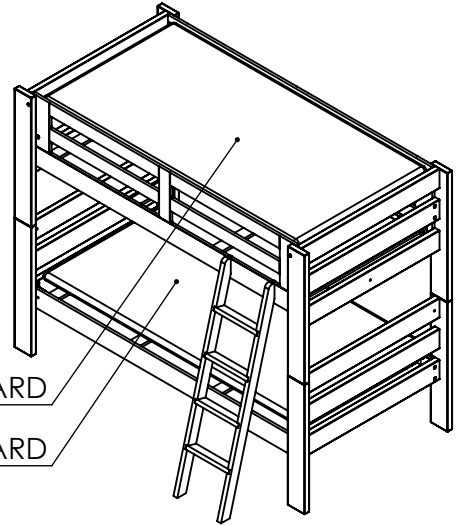
STEP



SECURE LADDER TO BUNKBED

8

STEP



BUNKIE BOARD

BUNKIE BOARD

PLACE BUNKIE BOARD (REQUIRED, SOLD SEPARATELY) ON TOP OF THE SLATS.