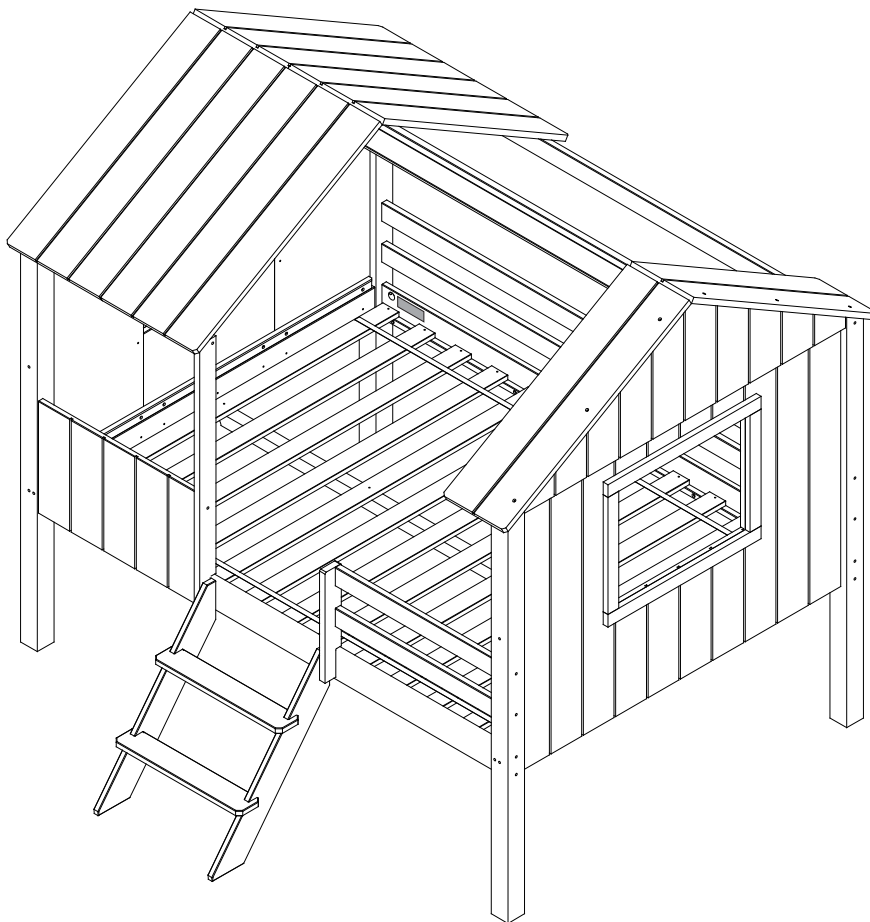


Fort Worth, Texas 76140

ASSEMBLY INSTRUCTIONS

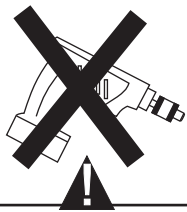
2188 - FULL HOUSE LOFT BED



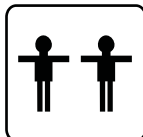
Thank you for purchasing this quality product. Be sure to check all packing material carefully for small parts which may have come loose inside the carton during shipment. Separate, identify and count all parts and hardware.

Compare with the parts list to be sure all parts are present.

"DO NOT TIGHTEN SCREWS UNTIL COMPLETELY ASSEMBLED"



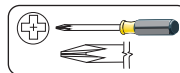
* Use of power tool to assemble this product will invalidate any claim and damage this product making unsafe !!!
* Please assemble on a clean soft surface to avoid damage.



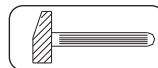
+



Tools Required



(Not included)

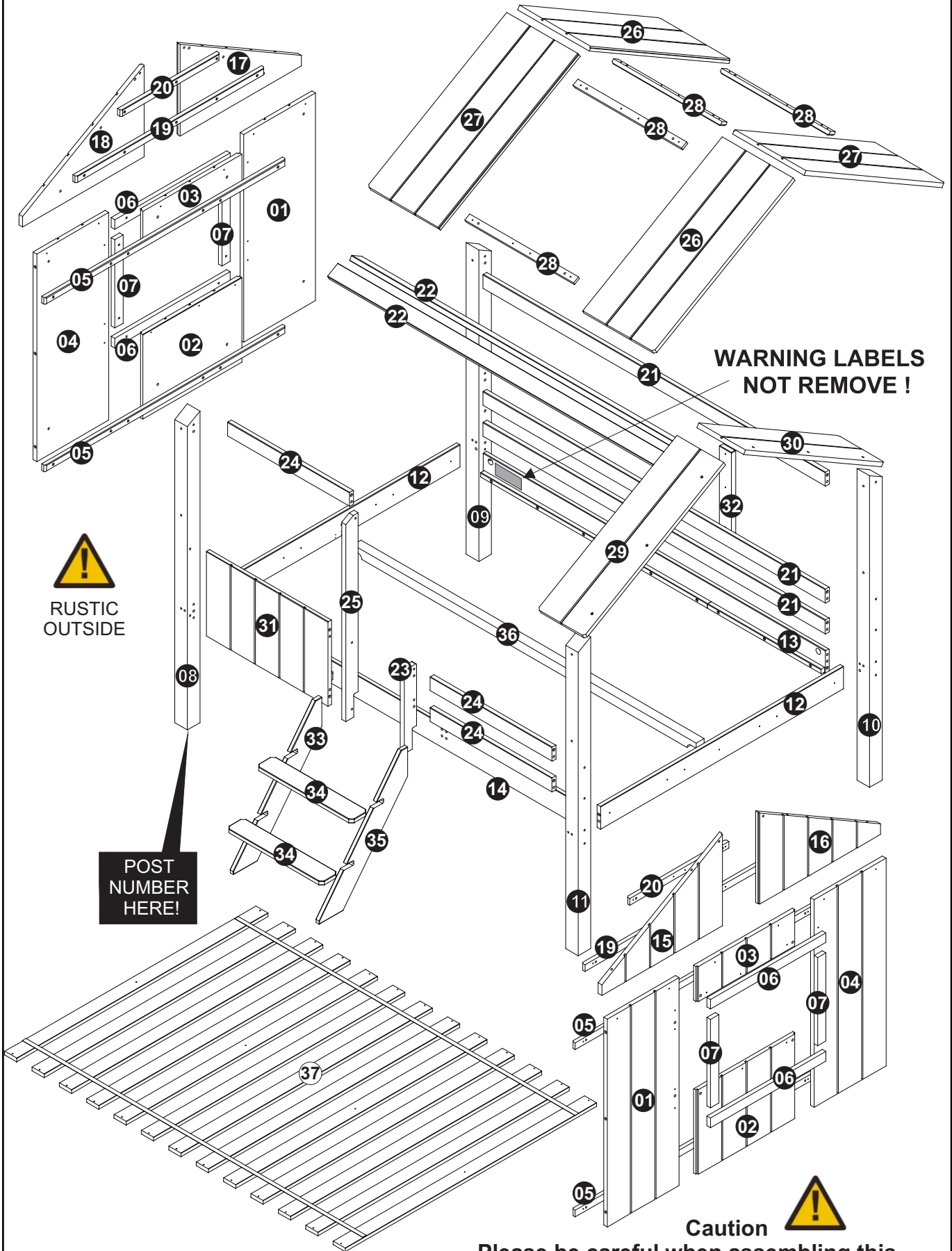


(Not included)

IMPORTANT:

PLEASE READ INSTRUCTION BEFORE STARTING THE ASSEMBLY

Part List - 2188 - FULL HOUSE LOFT BED




**RUSTIC
 OUTSIDE**









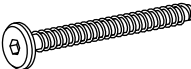

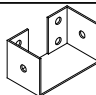


**POST
 NUMBER
 HERE!**

**WARNING LABELS
 NOT REMOVE !**

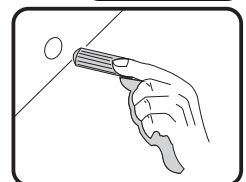
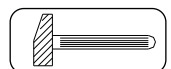
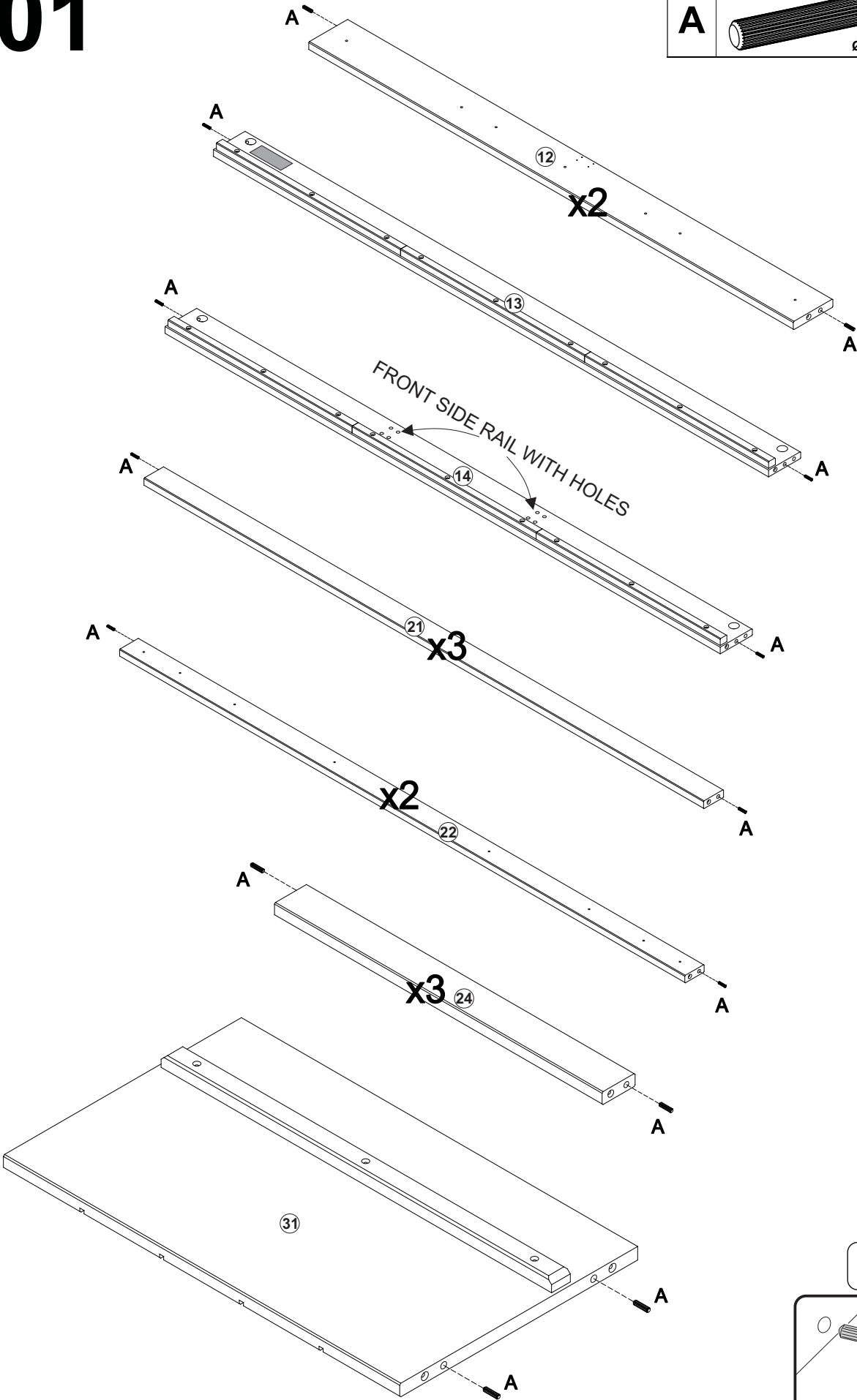
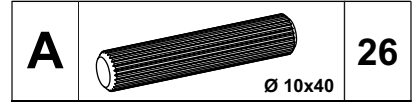
Caution 

Please be careful when assembling this product due the parts are extremely heavy. Also, please do not allow kids around when assembling this bed to avoid injuries.

Identifying the Hardware-Identify the hardware using the illustrations below.

A	 Ø 10x40	26
B	 Ø 8x25	52
C	 Ø 3,5X16	22
D	 Ø 4X30	64
E	 Ø 1/4X110 Cab 17	04
F	 Ø 7X100 Cab 17	31
G		04
H		02
I	 Ø 7X50 Cab 17	17
J	 Ø 4X35	30
K		02
L	 Ø 4X35	75
M		05

01



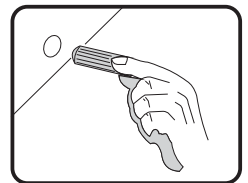
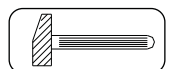
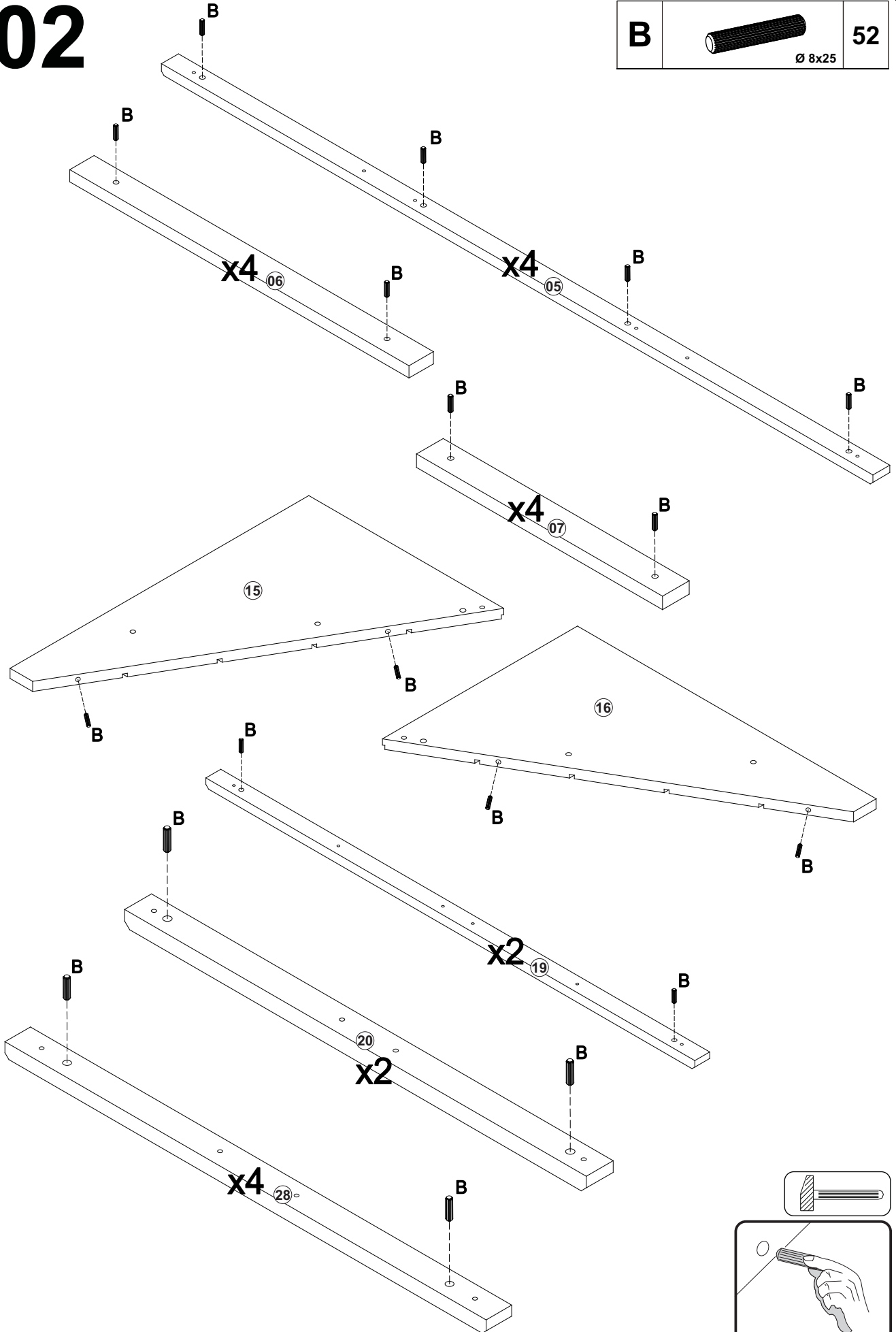
02

B




Ø 8x25

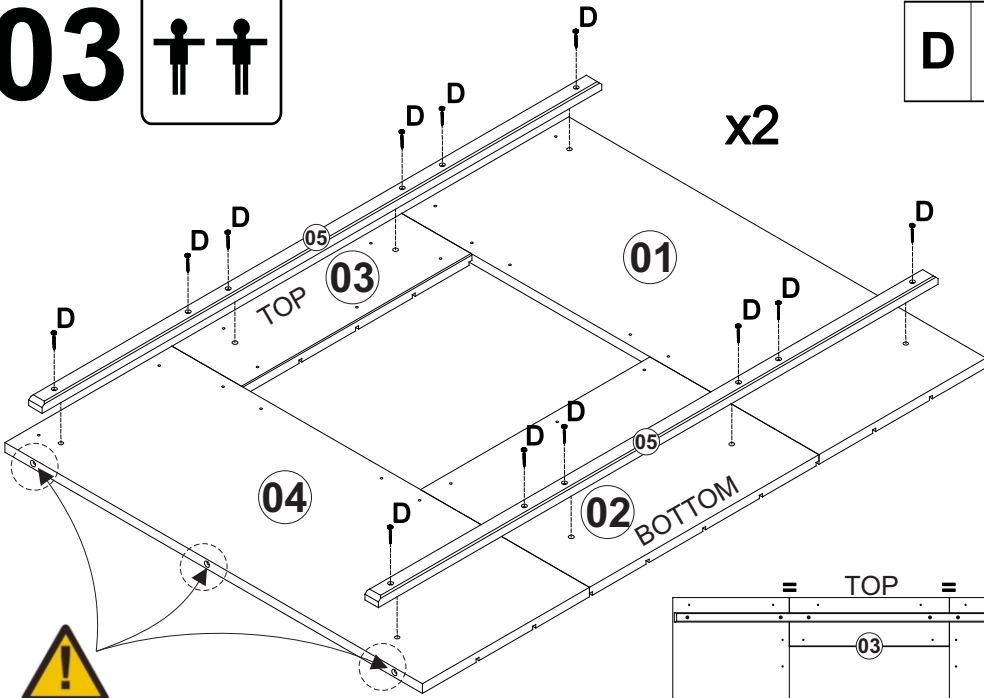
52



03



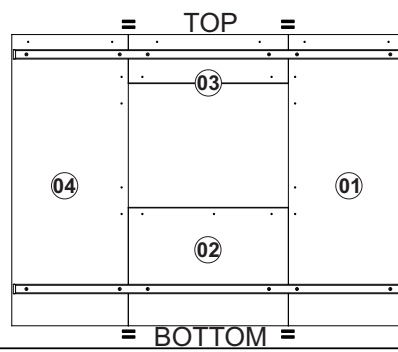
D		24 Ø 4X30
----------	---	---------------------






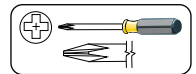

RUSTIC
OUTSIDE


OUTSIDE

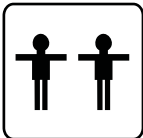

PLEASE ASSEMBLY THE
HEADBOARDS ON THE FLOOR




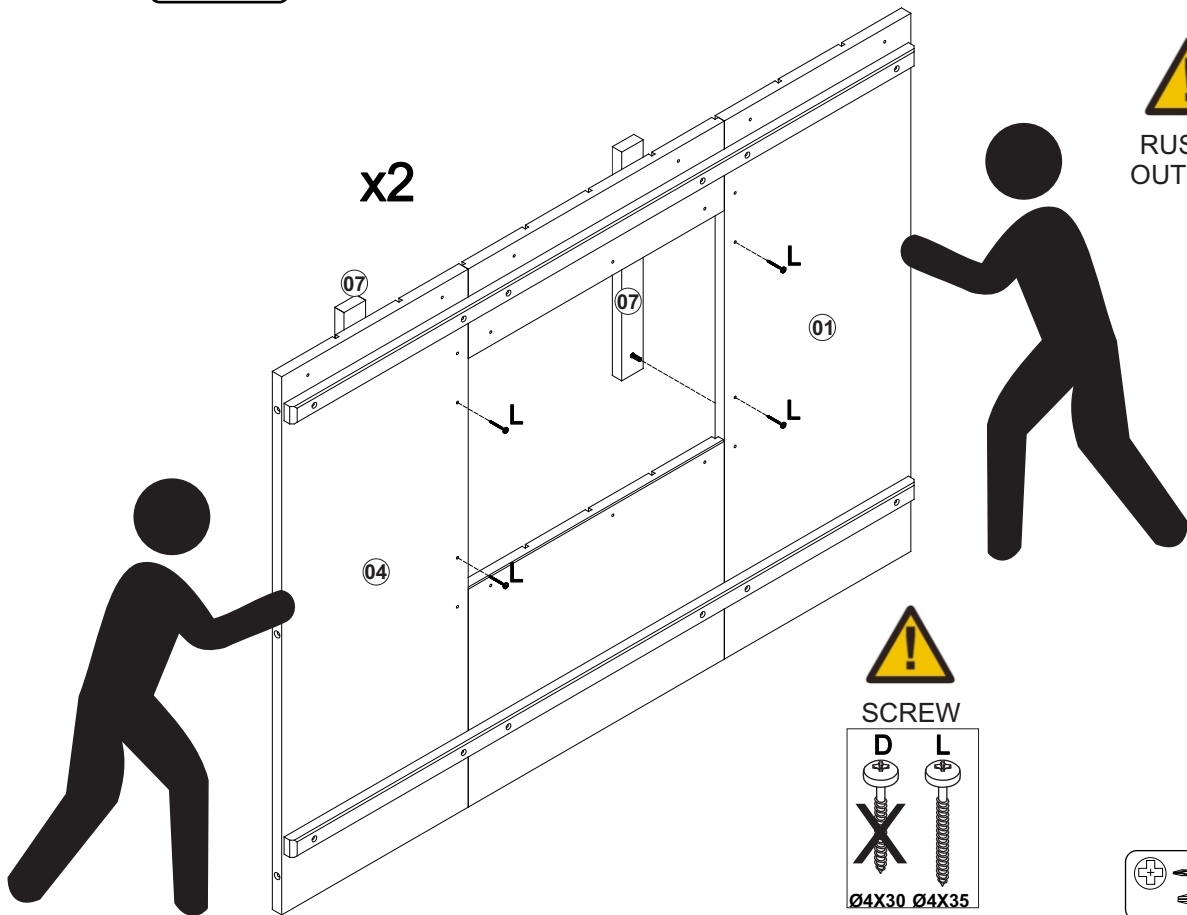

SCREW
 
Ø4X30 Ø4X35






04

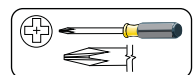


L		08 Ø 4X35
----------	---	---------------------





RUSTIC
OUTSIDE

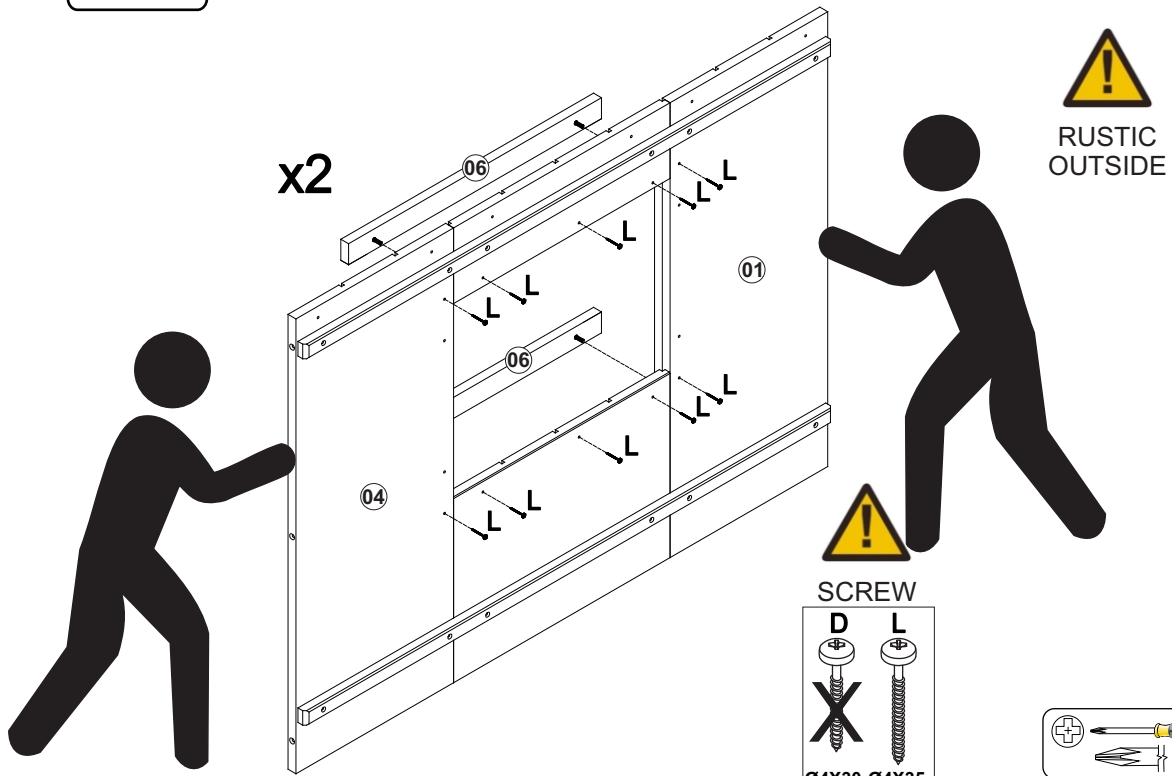

SCREW
 
Ø4X30 Ø4X35





05

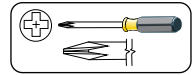


L		20 Ø 4X35
----------	---	---------------------



SCREW



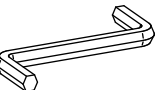
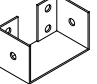
D	L
	
X	
Ø4X30 Ø4X35	



06

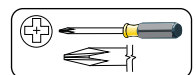
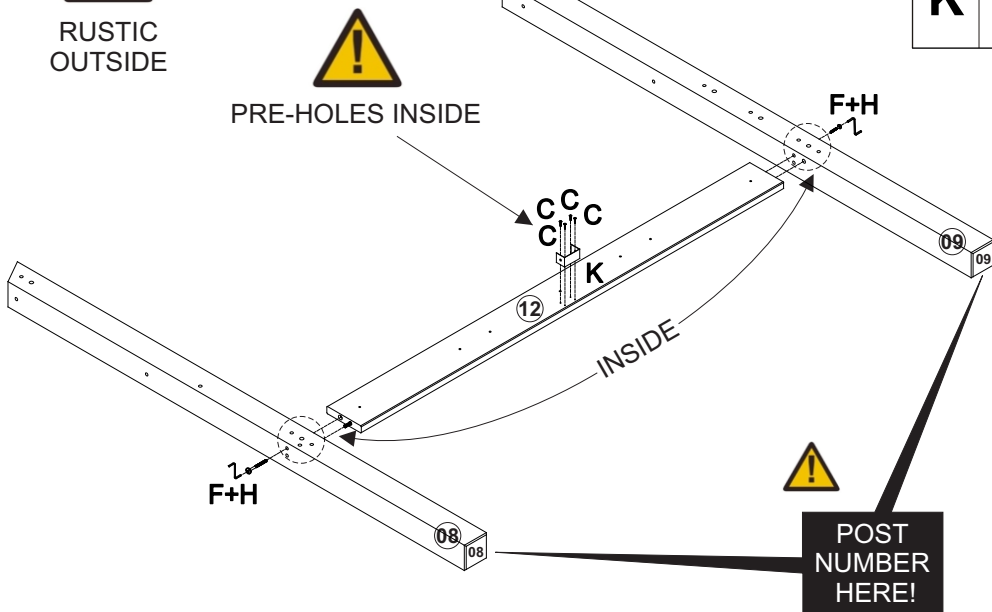


LEFT HEADBOARD

C		04 Ø 3,5X16
F		02 Ø 7X100 Cab 17
H		01
K		01


PLEASE ASSEMBLY THE
HEADBOARDS ON THE FLOOR


RUSTIC
OUTSIDE



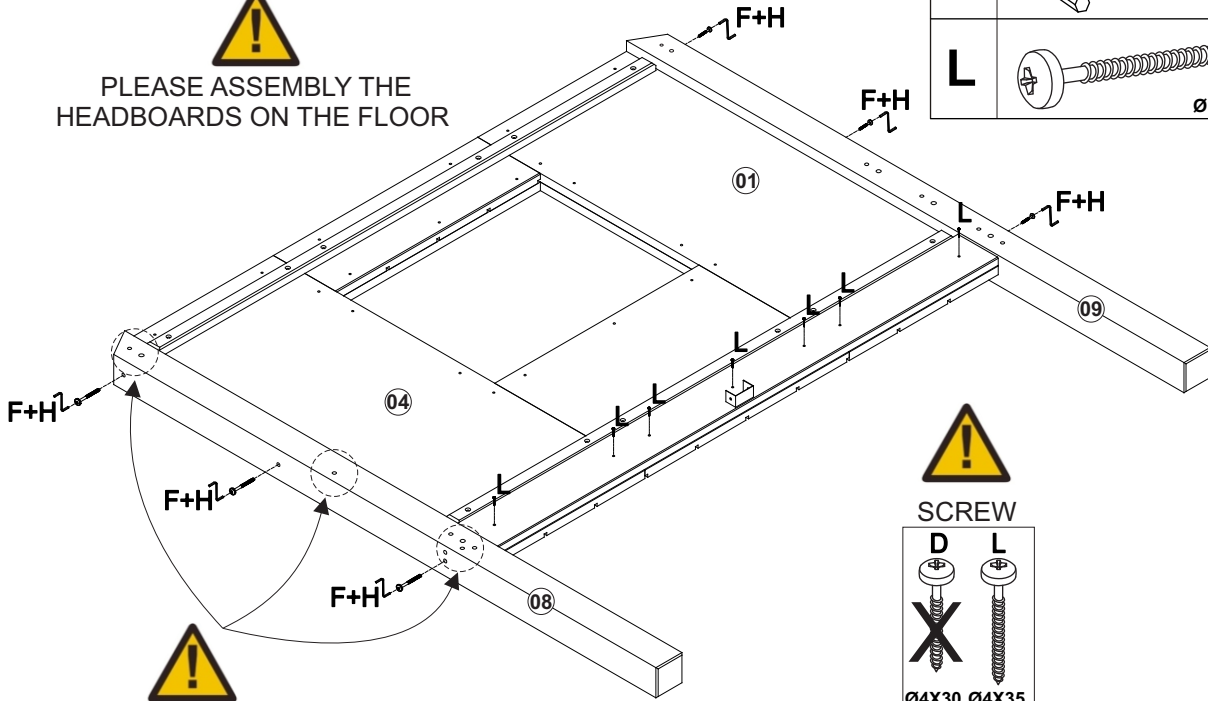
07



LEFT HEADBOARD

F		06
H		01
L		07

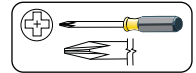
PLEASE ASSEMBLY THE HEADBOARDS ON THE FLOOR



THE LEG WITH 7 HOLES IS THE LEFT SIDE FRONT.

SCREW

D	L
Ø4X30	Ø4X35



08



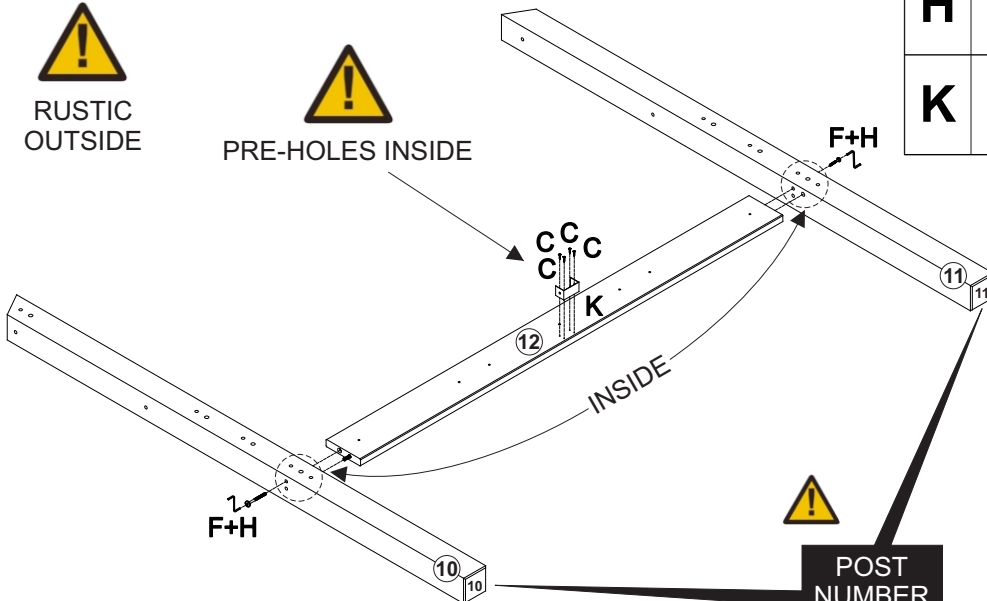
RIGTH HEADBOARD

C		04
F		02
H		01
K		01

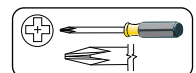
PLEASE ASSEMBLY THE HEADBOARDS ON THE FLOOR

RUSTIC OUTSIDE

PRE-HOLES INSIDE



POST NUMBER HERE!



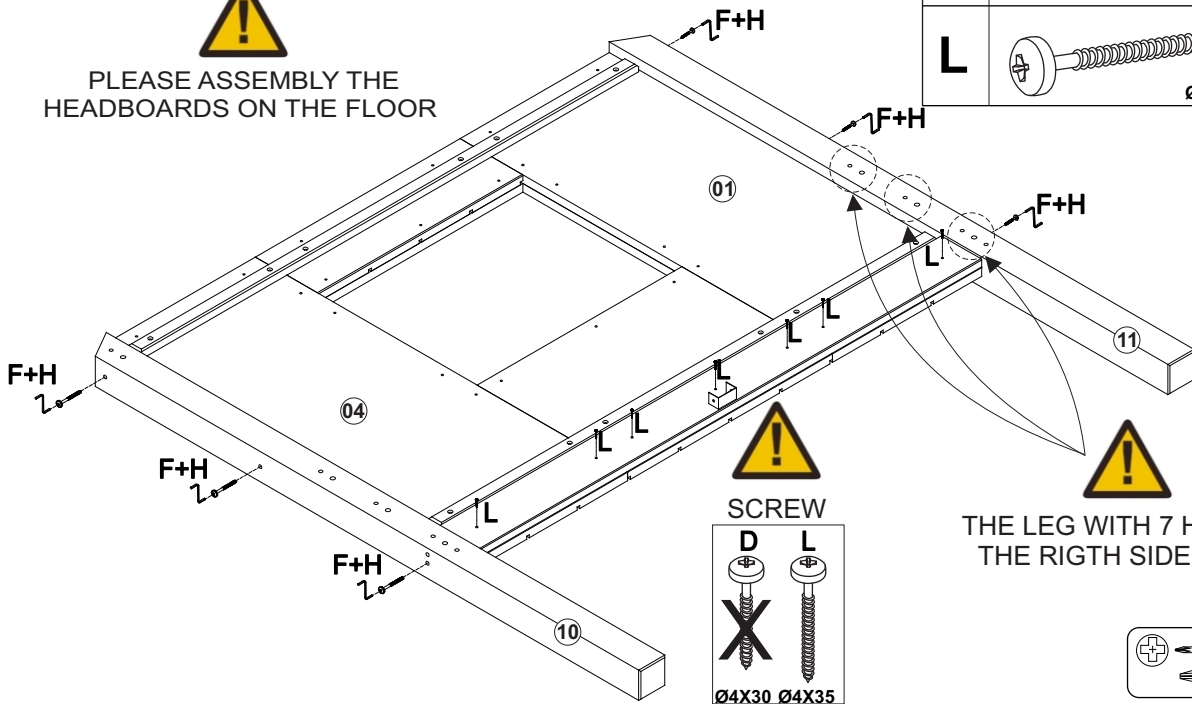
09



RIGHT HEADBOARD



PLEASE ASSEMBLY THE HEADBOARDS ON THE FLOOR

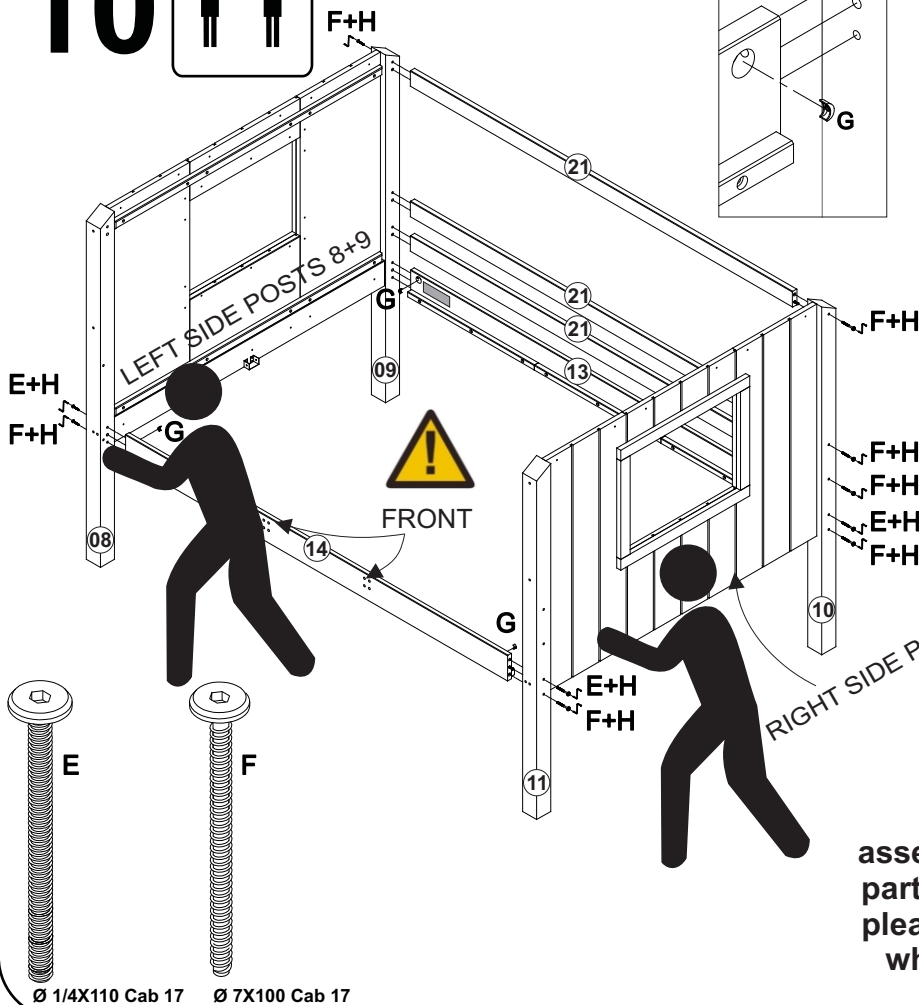
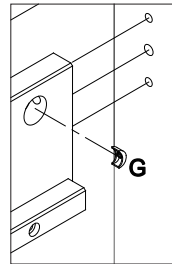


F		06
H		01
L		07

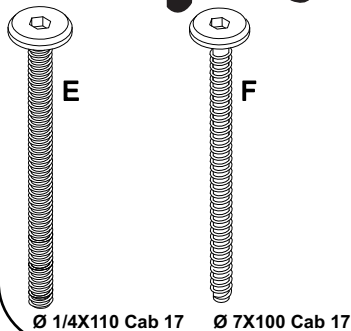
10



F+H



E		04
F		10
G		04
H		01



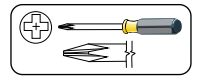
Caution

Please be careful when assembling this product due the parts are extremely heavy. Also, please do not allow kids around when assembling this bed to avoid injuries.

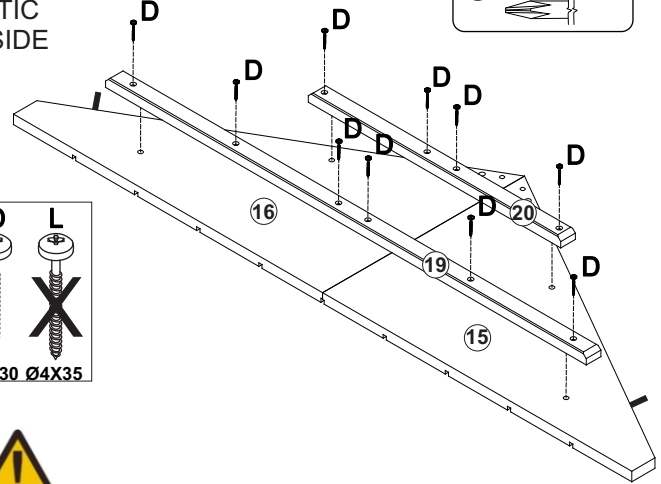
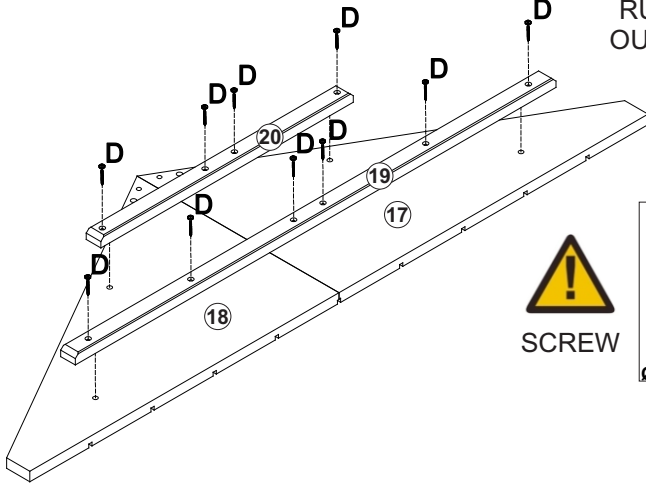
11



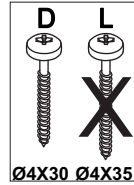
D		20
----------	--	-----------



RUSTIC
OUTSIDE



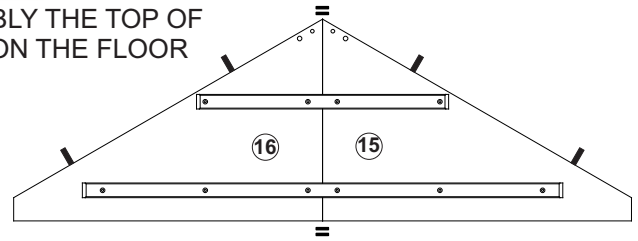
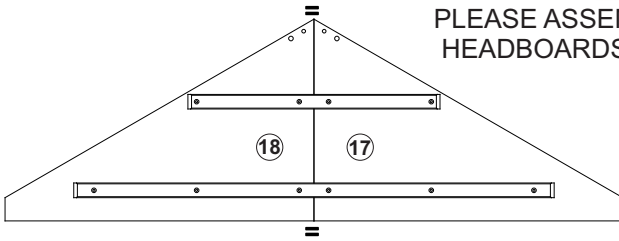
SCREW



Ø4X30 Ø4X35

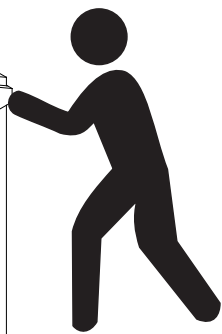
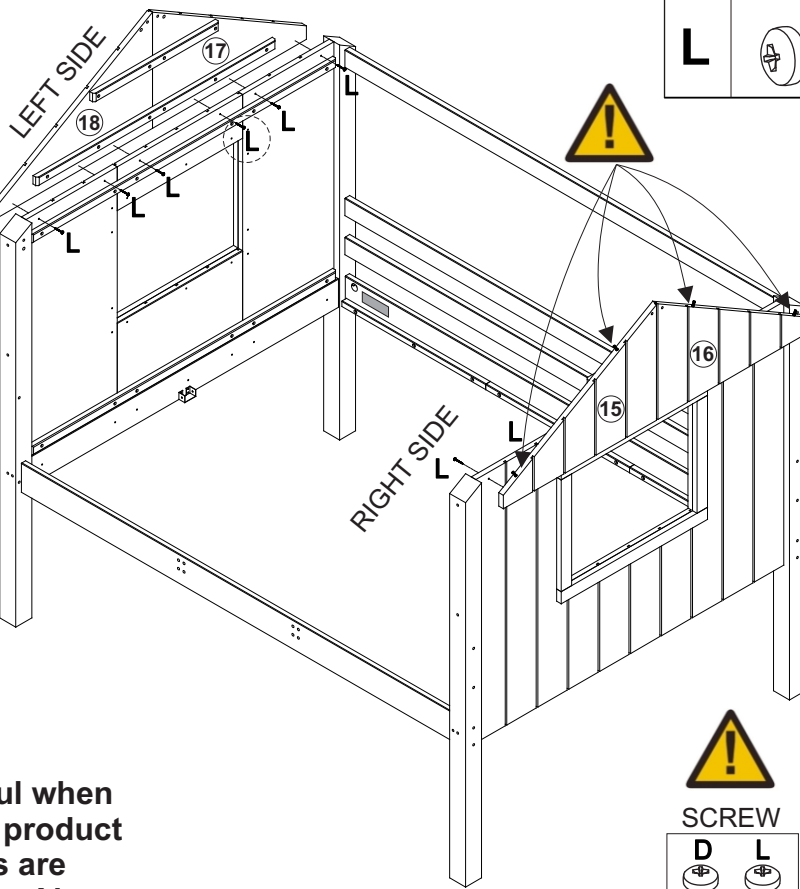


PLEASE ASSEMBLY THE TOP OF
HEADBOARDS ON THE FLOOR



12

L		12
----------	--	-----------

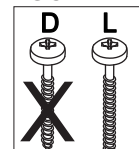


Caution

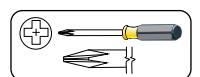
Please be careful when
assembling this product
due the parts are
extremely heavy. Also,
please do not allow kids
around when assembling
this bed to avoid injuries.



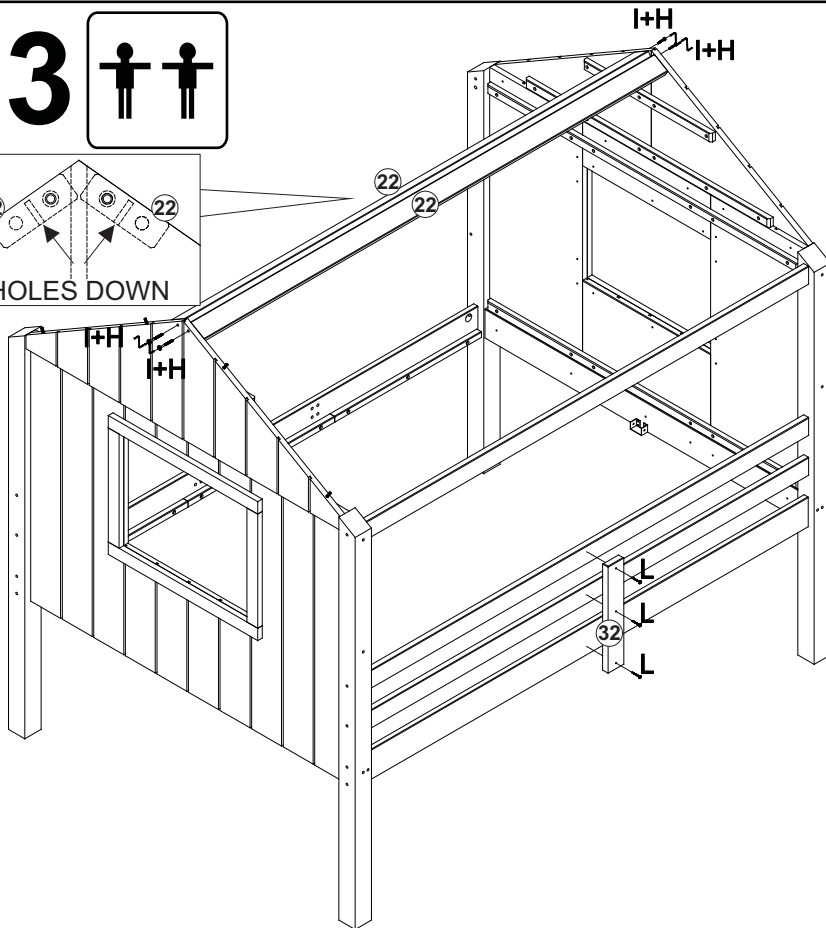
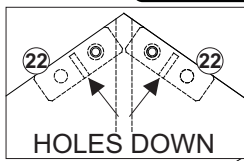
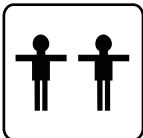
SCREW



Ø4X30 Ø4X35



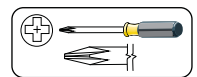
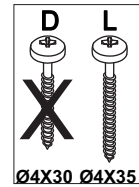
13



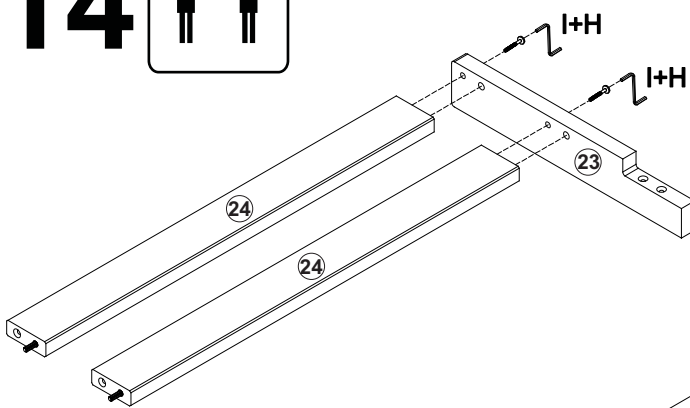
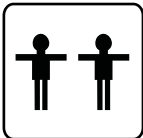
H		01
I	 Ø 7X50 Cab 17	04
L	 Ø 4X35	03



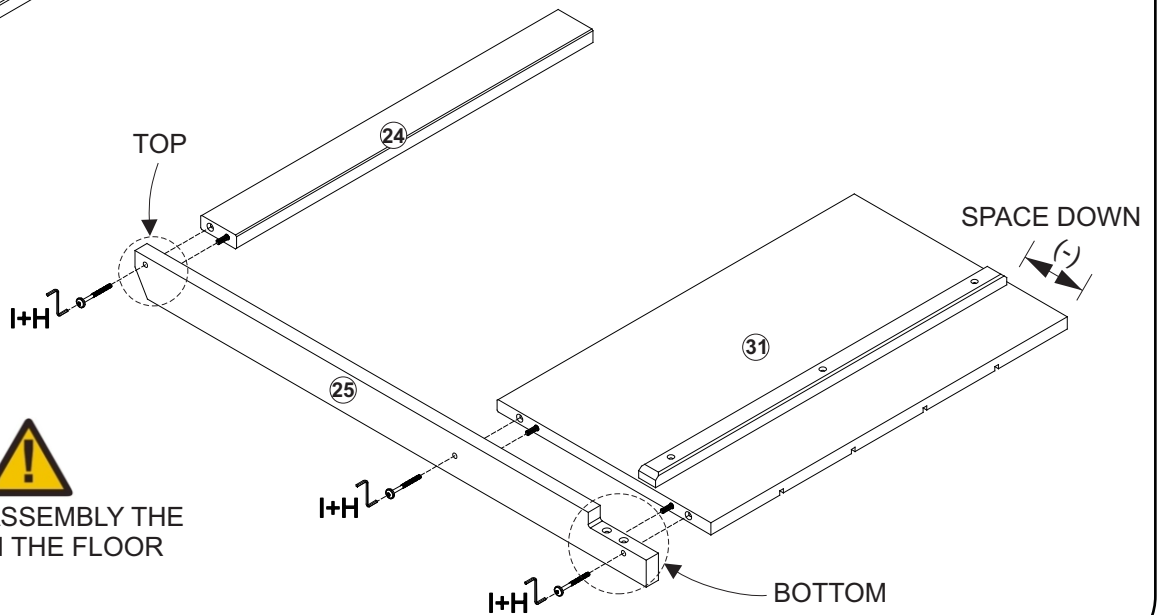
SCREW



14

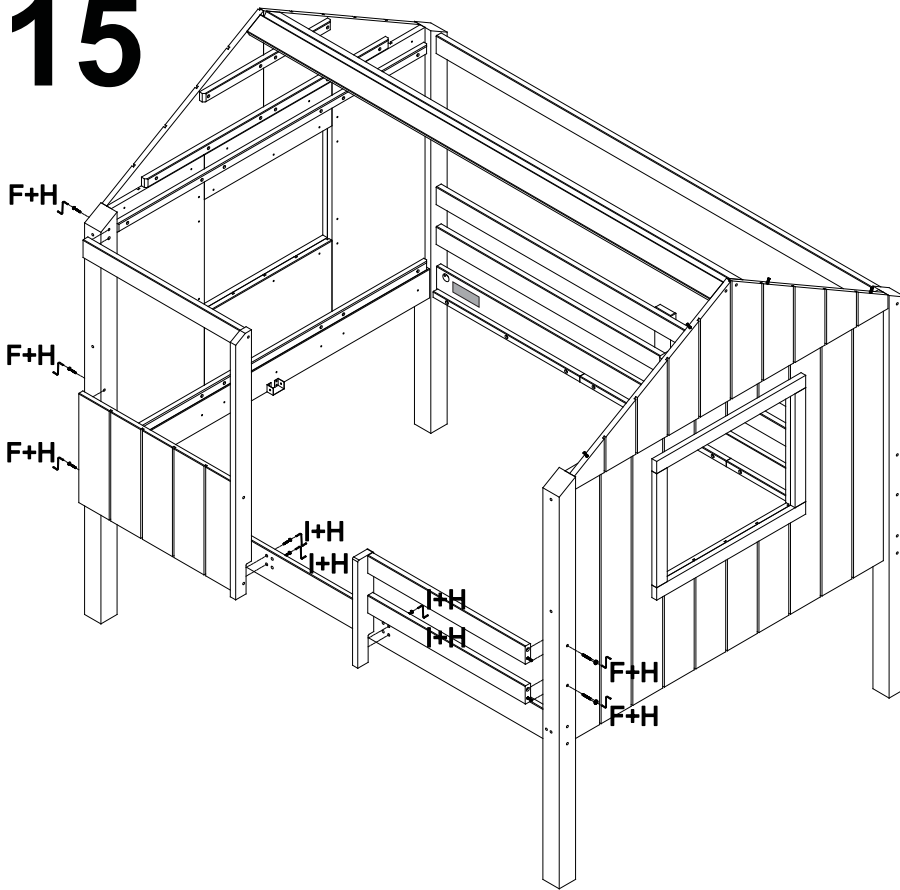


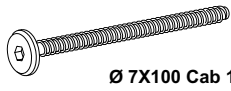
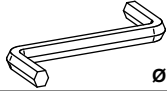
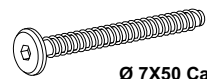
H	 Ø 4X30	01
I	 Ø 7X50 Cab 17	05

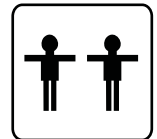


PLEASE ASSEMBLY THE WALL ON THE FLOOR

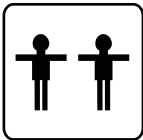
15



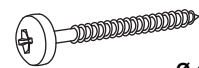
F		05
H		01
I		04

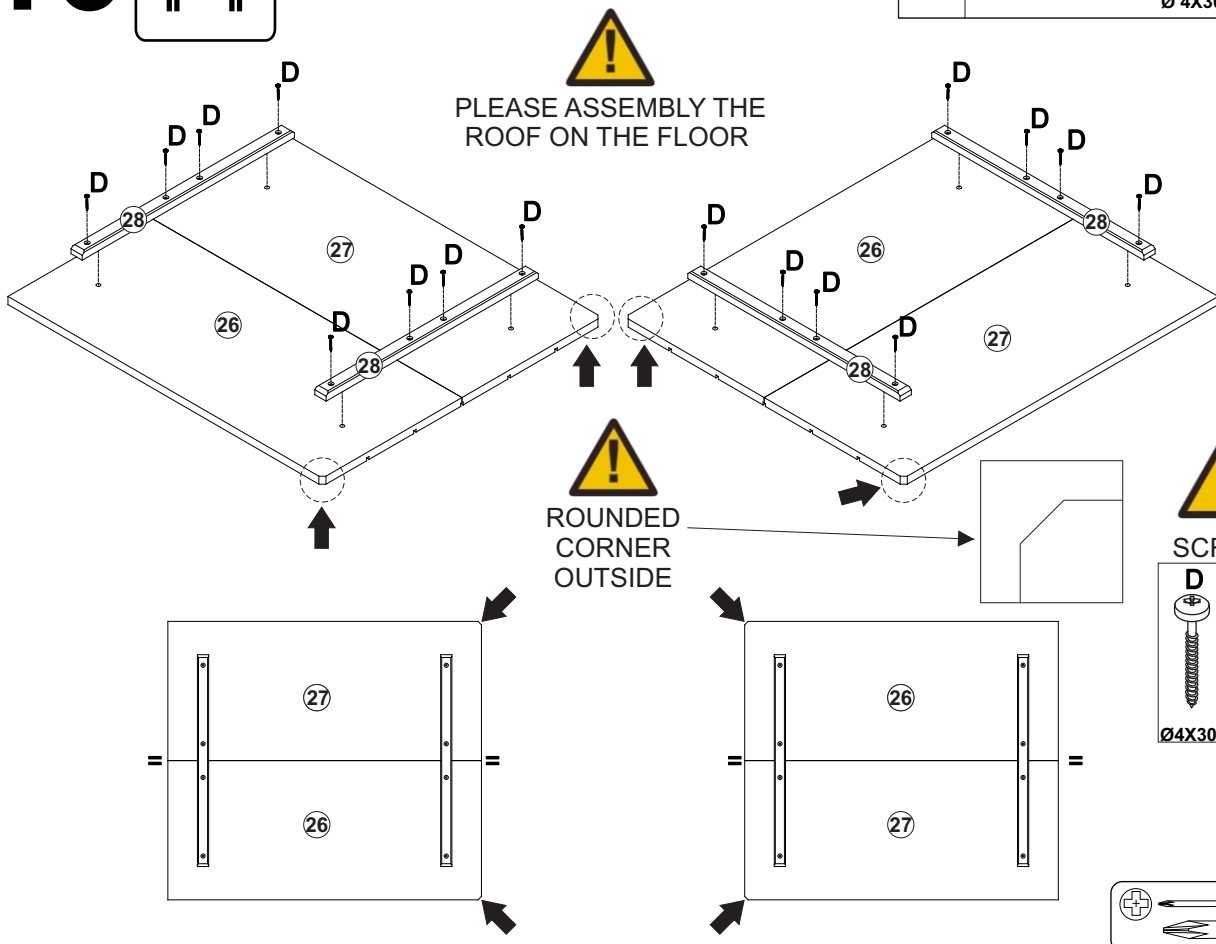


16



ROOF

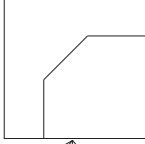
D		16
----------	---	-----------



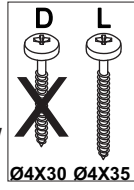
17



ROUNDED
SIDE BOTTOM

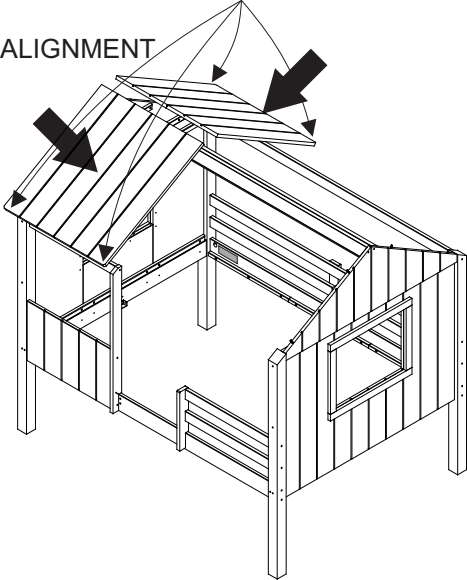


SCREW

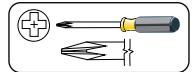
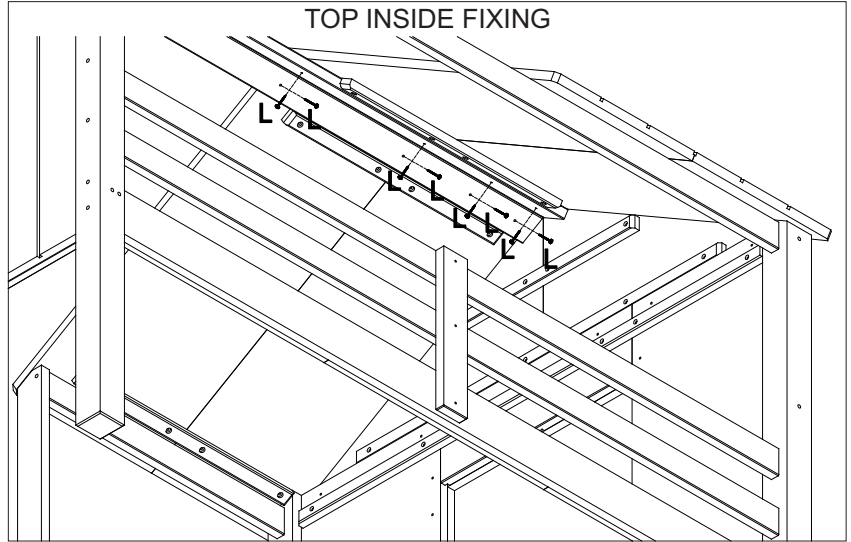


L		08
	Ø 4X35	

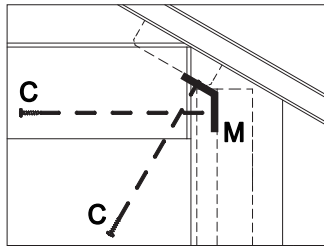
ALIGNMENT



TOP INSIDE FIXING

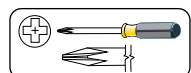
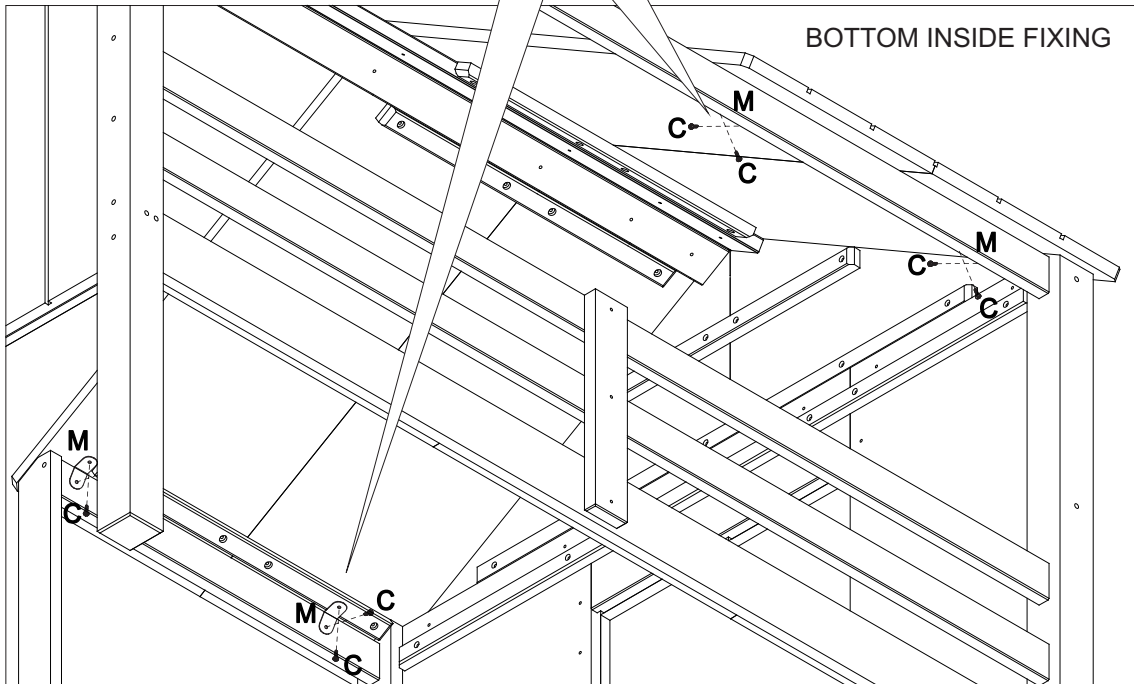


18

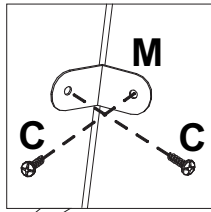
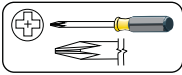




C		08
M		04
	Ø 3,5X16	

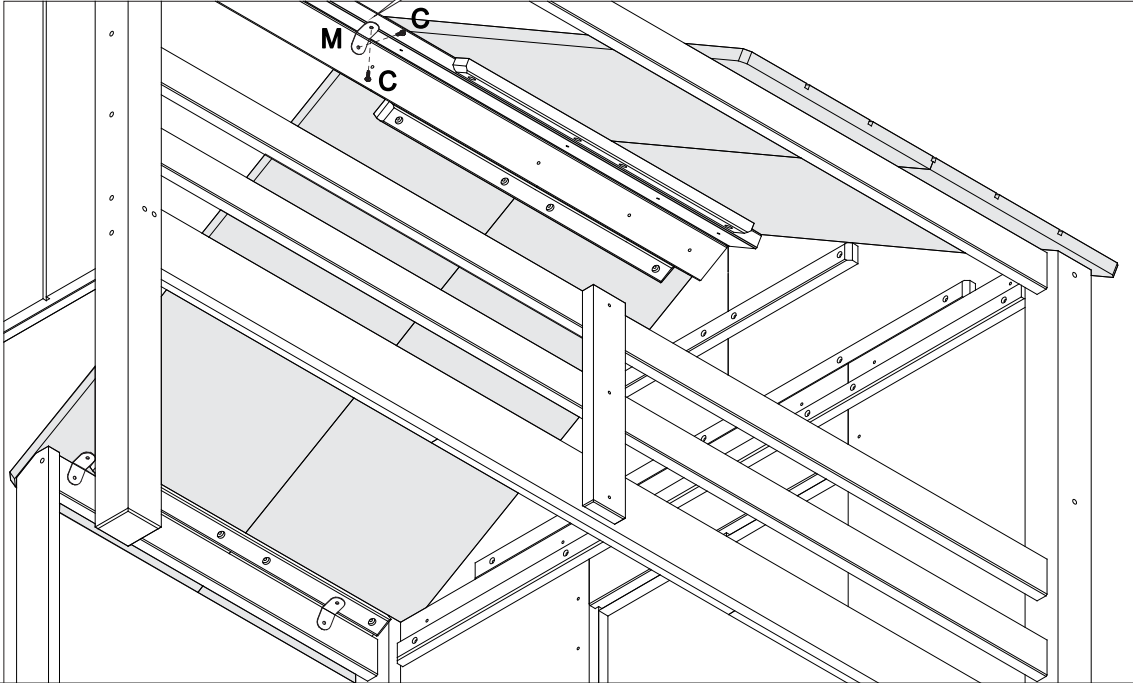
BOTTOM INSIDE FIXING



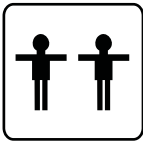
19




C	 Ø 3,5X16	02
M		01



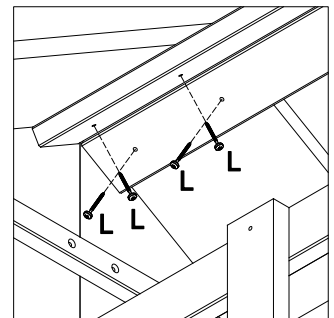
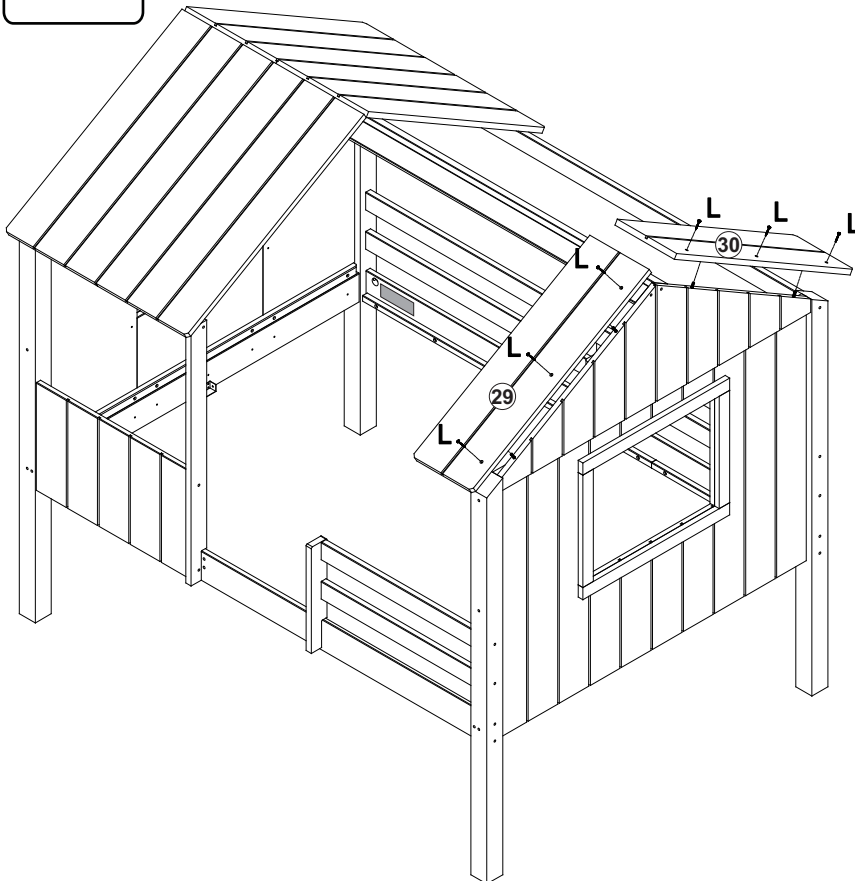
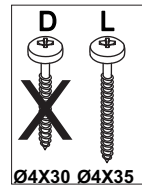
20



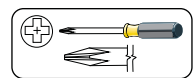
L	 Ø 4X35	10
----------	---	-----------



SCREW




DOWN SIDE

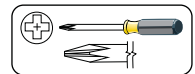
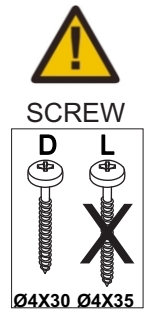
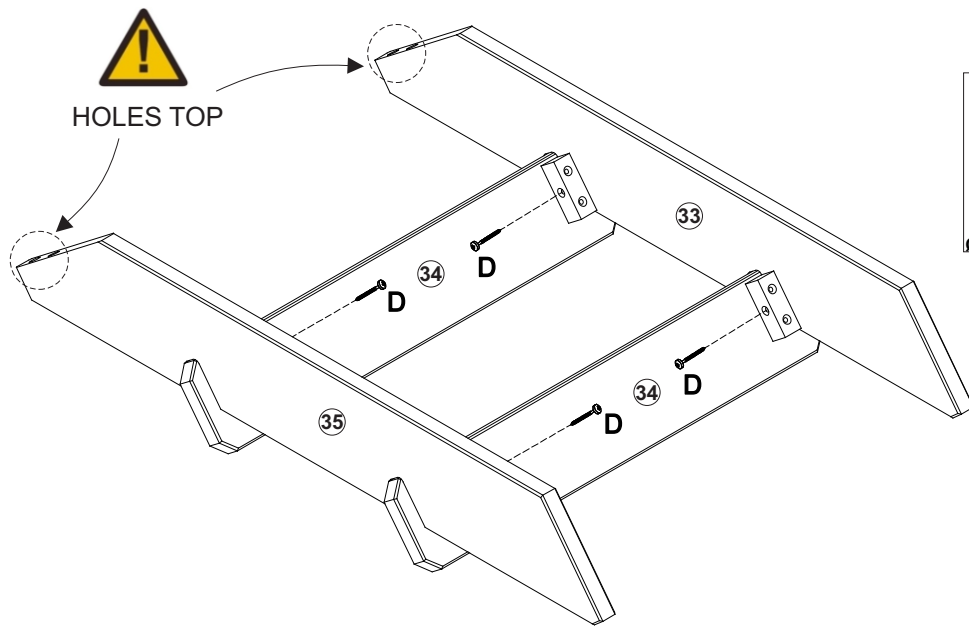


21

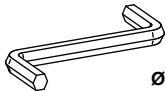



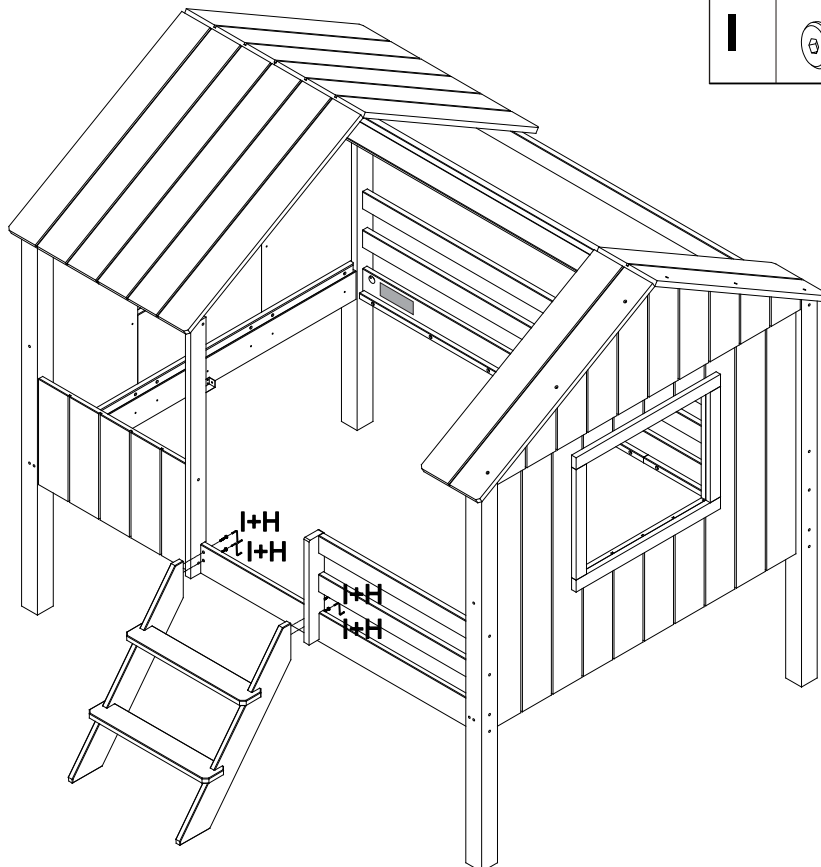
LADDER

D	 Ø 4X30	04
----------	---	-----------

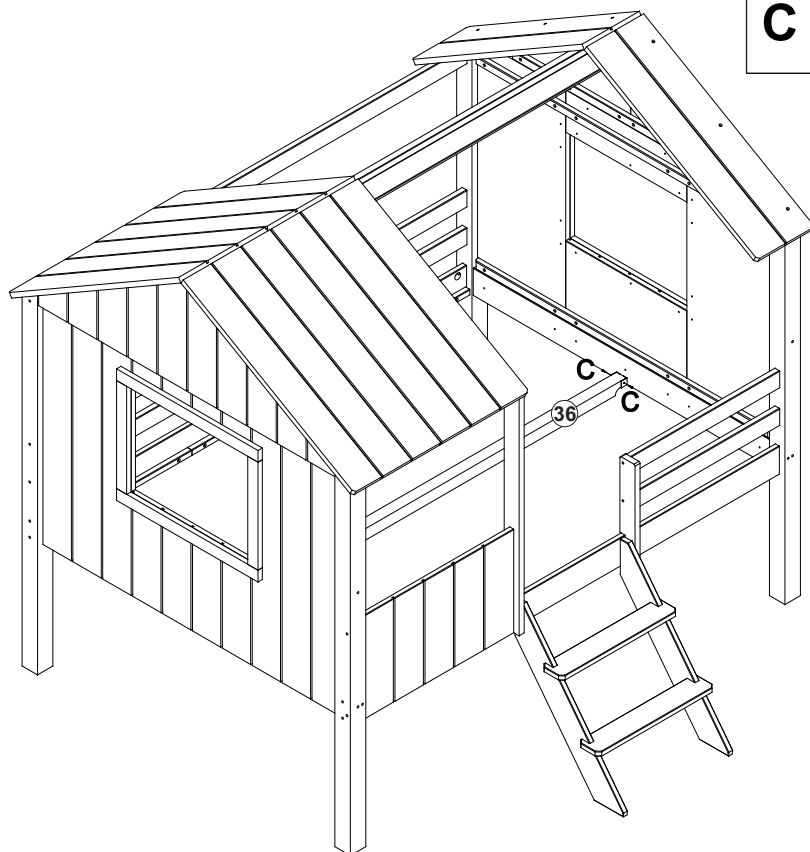



22

H	 Ø 4X30	01
I	 Ø 7X50 Cab 17	04

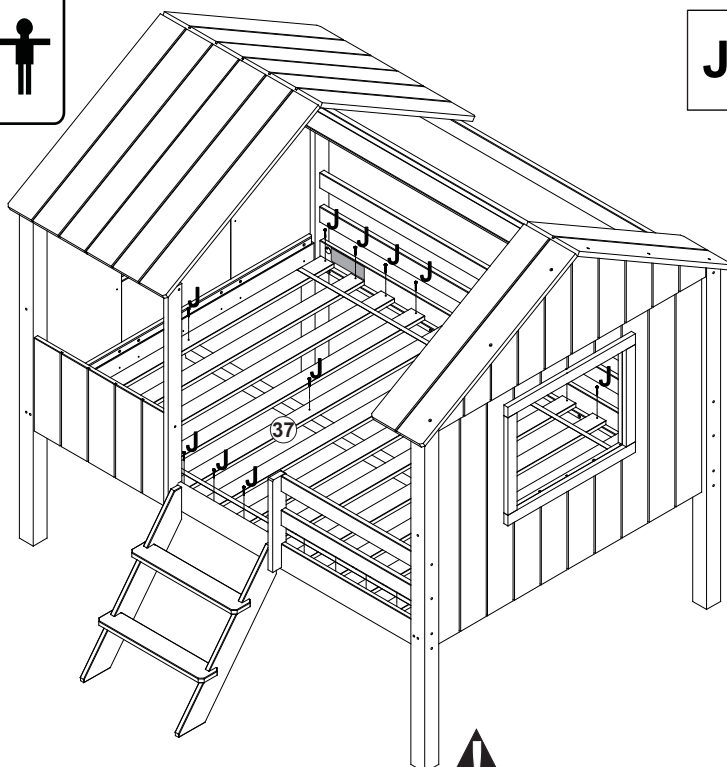



23



C	 Ø 3,5X16	04
----------	---	-----------

24



J	 Ø 4X35	30
----------	---	-----------

⚠
"INSTALL SLAT KIT WITH SPACER
TAPE ON TOP (FACING UP)"

