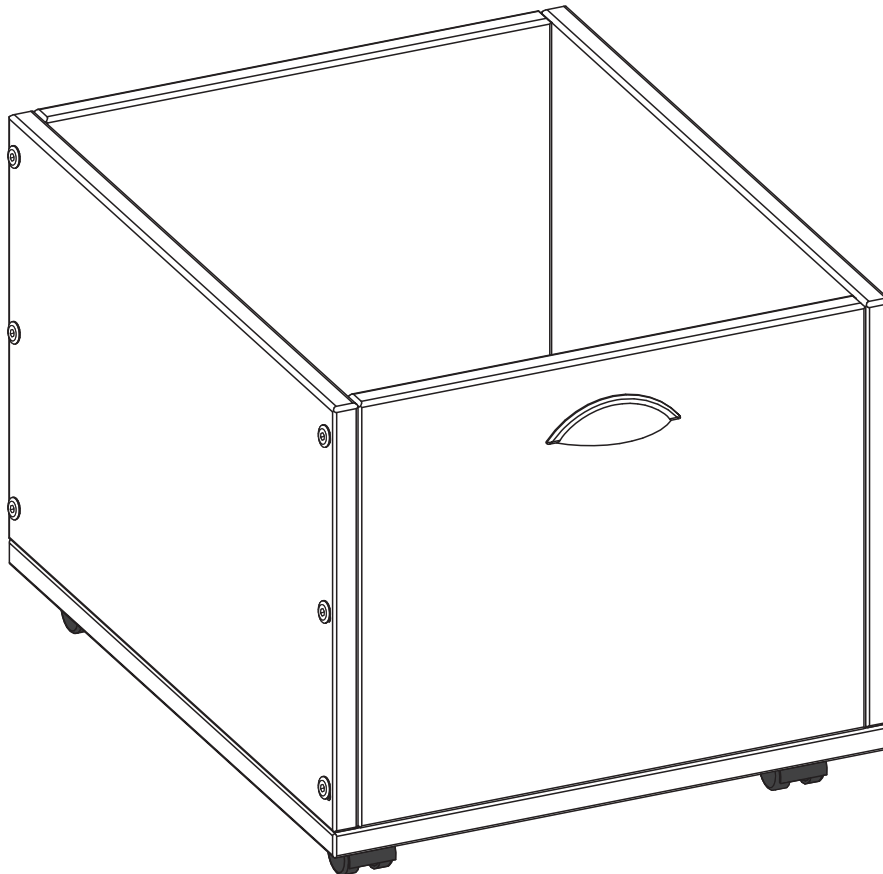


3005 - Toy Box Junior

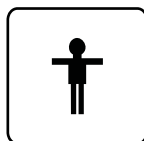
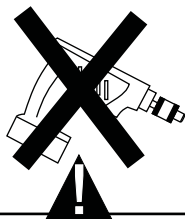
ASSEMBLY INSTRUCTIONS



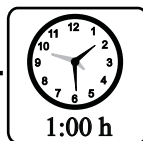
Thank you for purchasing this quality product. Be sure to check all packing material carefully for small parts which may have come loose inside the carton during shipment. Separate identify and count all parts and hardware.

Compare with the parts list to be sure all parts are present.

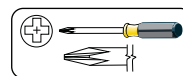
"DO NOT TIGHTEN SCREWS UNTIL COMPLETELY ASSEMBLED"



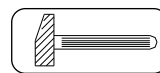
+



Tools Required



(Not included)



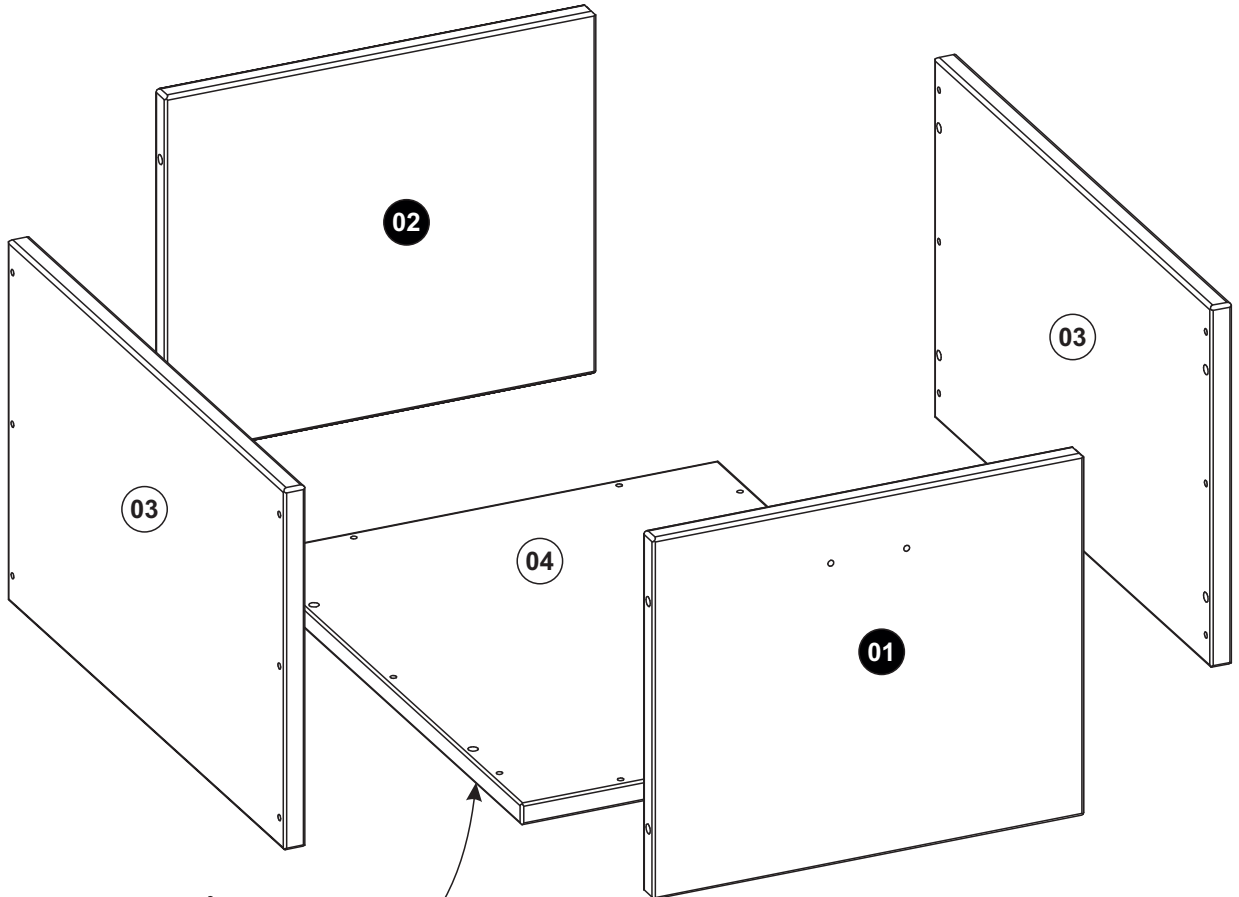
(Not included)

*** Use of power tool to assemble this product will invalidate any claim and damage this product making unsafe !!!**
*** Please assemble on a clean soft surface to avoid damage.**

IMPORTANT:

PLEASE READ INSTRUCTION BEFORE STARTING THE ASSEMBLY



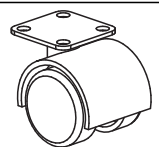

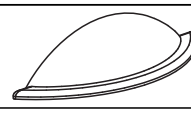
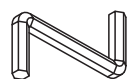

(x2)



MANUFACTURER LABEL


PRODUCT:	TWIN JUNIOR LOW LOFT	DONCO TRADING CO.	WARNING
MODEL #:	3005T	CALIFORNIA 93120.7(d) COMPLIANT FOR	California Proposition 65
MFG CODE #:	0	FORMALDEHYDE PHASE 2	This product can expose you to
PO #:	0000	PO #: 0000	chemicals, including formaldehyde
MFG DATE:	OCTOBER/2018	MFG DATE: OCTOBER / 2018	which is known to the
DISTRIBUTED BY:	DONCO TRADING CO.	FOR RESIDENTIAL USE ONLY	State of California to cause cancer.
	FORT WORTH, TX 76140	NOT FOR COMMERCIAL USE	For more information, go to
MADE IN BRAZIL		MADE IN BRAZIL	www.P65Warnings.ca.gov/furniture .

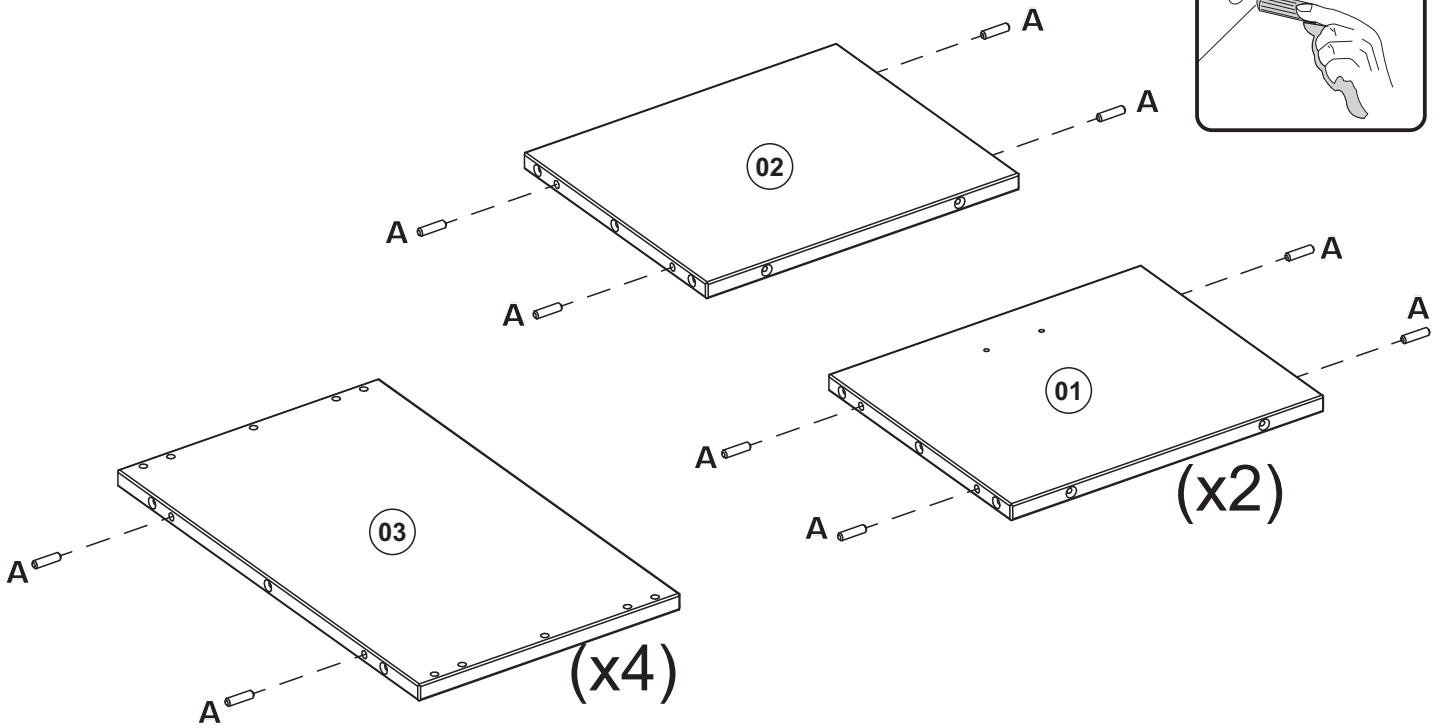
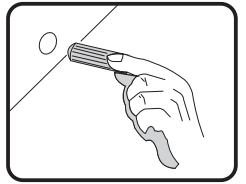
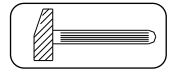
Identifying the Hardware-Identify the hardware using the illustrations below.

A	 Ø8x30mm	24	D	 M4x22mm	04	F	 Rb30	08
B	 Ø7x40mm (Ø13)	44	E	 Pz20	02	G		01
C	 Ø3,5x16mm	32						

01

(x2)

A		24
		Ø8x30mm



02

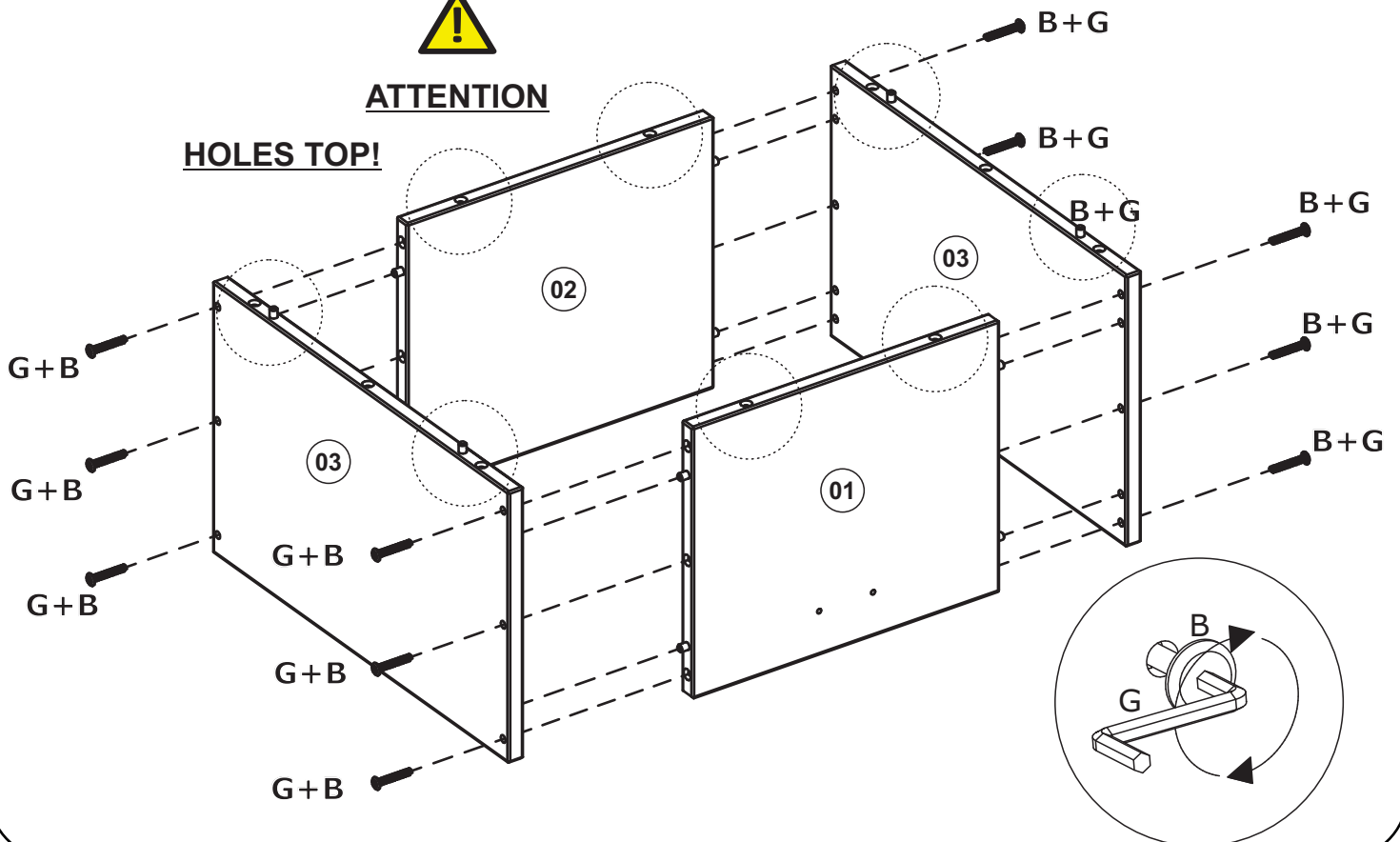
(x2)

B		24	G		01
		Ø7x40mm (Ø13)			



ATTENTION

HOLES TOP!



03

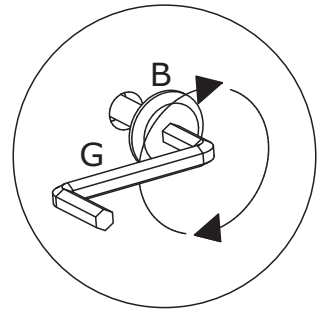
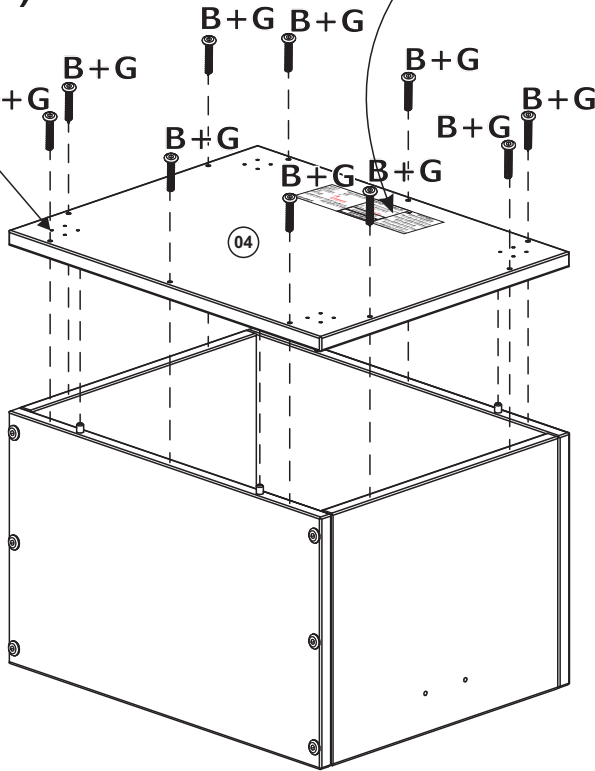
(x2)



MANUFACTURER LABEL

B		20
G		01

PRE HOLES



04

(x2)

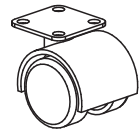
C



Ø3,5x16mm

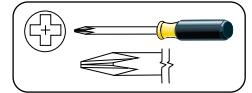
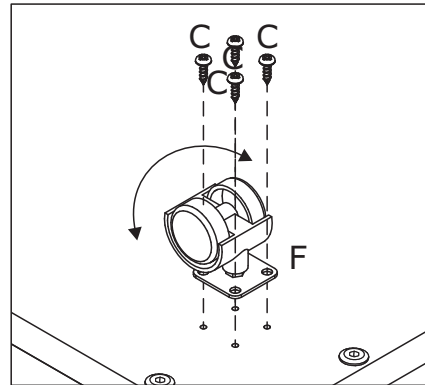
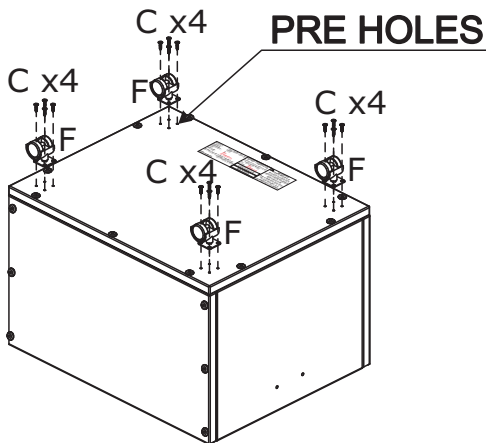
32

F



Rb30

08



05

(x2)

D



M4x22mm

04

E



Pz20

02

