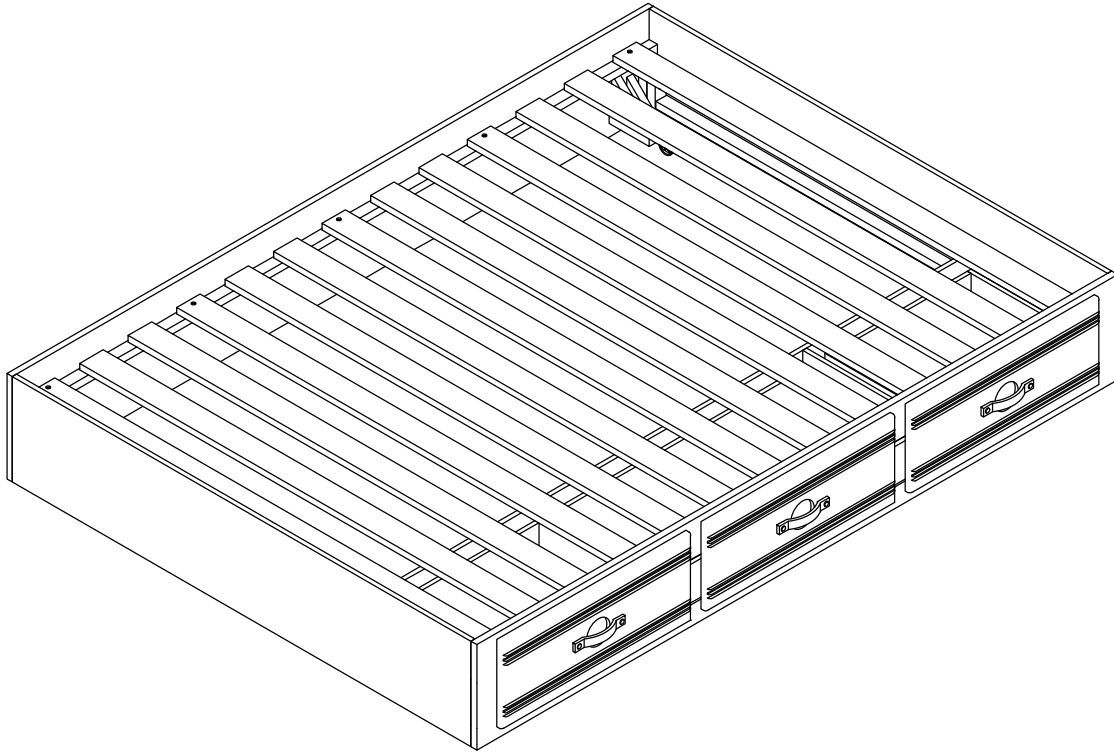


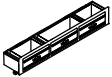

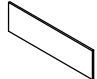

CREEKSIDE 3.0

TWIN / FULL PLATFORM BED



| SKU# | STYLE | COLOR | ITEM DESCRIPTION |
|----------|---------|----------|-------------------|
| 35932525 | 325-TPN | CHESTNUT | TWIN PLATFORM BED |
| 35932537 | 325-TPC | CHARCOAL | TWIN PLATFORM BED |

| SKU# | STYLE | COLOR | ITEM DESCRIPTION |
|----------|---------|----------|-------------------|
| 36032528 | 325-FPN | CHESTNUT | FULL PLATFORM BED |
| 36032530 | 325-FPC | CHARCOAL | FULL PLATFORM BED |




| TWIN/FULL PLATFORM BED PART LIST | | | |
|----------------------------------|------------------|---|------|
| NO. | ITEM DESCRIPTION | IMAGE | QTY |
| A | FRONT CASES |  | 1PC |
| B | BACK PANEL |  | 1PC |
| C | SIDE PANEL |  | 2PCS |
| D | SLAT ROLL |  | 1SET |



DO NOT USE SUBSTITUTE PARTS. PLEASE CONTACT YOUR RETAIL STORE OR WWW.ROOMSTOGO.COM WITH SERVICE OR PARTS REPLACEMENT REQUEST.

This product is manufactured by (JSFC) for **ROOMS TO GO® | KIDS**

CREEKSIDE 3.0

TWIN / FULL PLATFORM BED

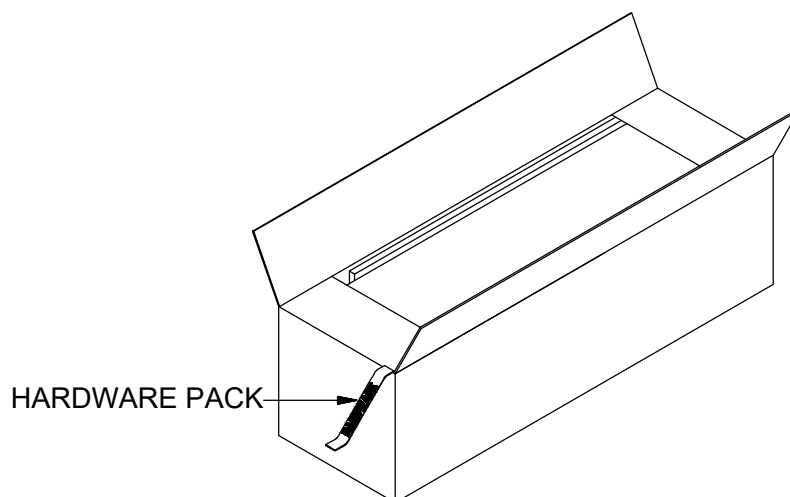
| TWIN/FULL PLATFORM BED HARDWARE LIST | | | |
|--------------------------------------|------------------------------------|---|--------|
| | ITEM DESCRIPTION | IMAGE | QTY |
| 1 | ALLEN KEY 4mm |  | 1PC |
| 2 | SCREW M4 x 1-1/4" |  | 10 PCS |
| 3 | PHILIPS SCREWDRIVER (NOT PROVIDED) |  | 1PC |

| TWIN/FULL PLATFORM BED PRE-ASSEMBLED HARDWARE LIST | | | |
|---|----------------------------------|--|-------|
| | ITEM DESCRIPTION | IMAGE | Q'TY |
| 4 | BOLT Ø5/16 *13* 1-3/4"L |  | 8 PCS |
| | SPRING WASHER Ø5/16*12*1.2MM | | 8 PCS |
| | FLAT WASHER Ø5/16*19*1.5MM | | 8 PCS |
| | THREADED WASHER Ø5/16"-19 X 10MM | | 8 PCS |
| 5 | CASTER W/ MANUAL LOCK |  | 4 PCS |

HARDWARE PACK LOCATION

| SKU# | STYLE | COLOR | ITEM DESCRIPTION |
|----------|---------|----------|-------------------|
| 35932525 | 325-TPN | CHESTNUT | TWIN PLATFORM BED |
| 35932537 | 325-TPC | CHARCOAL | TWIN PLATFORM BED |

| SKU# | STYLE | COLOR | ITEM DESCRIPTION |
|----------|---------|----------|-------------------|
| 36032528 | 325-FPN | CHESTNUT | FULL PLATFORM BED |
| 36032530 | 325-FPC | CHARCOAL | FULL PLATFORM BED |



DO NOT USE SUBSTITUTE PARTS. PLEASE CONTACT YOUR RETAIL STORE OR WWW.ROOMSTOGO.COM WITH SERVICE OR PARTS REPLACEMENT REQUEST.

This product is manufactured by (JSFC) for **ROOMS TO GO® | KIDS**

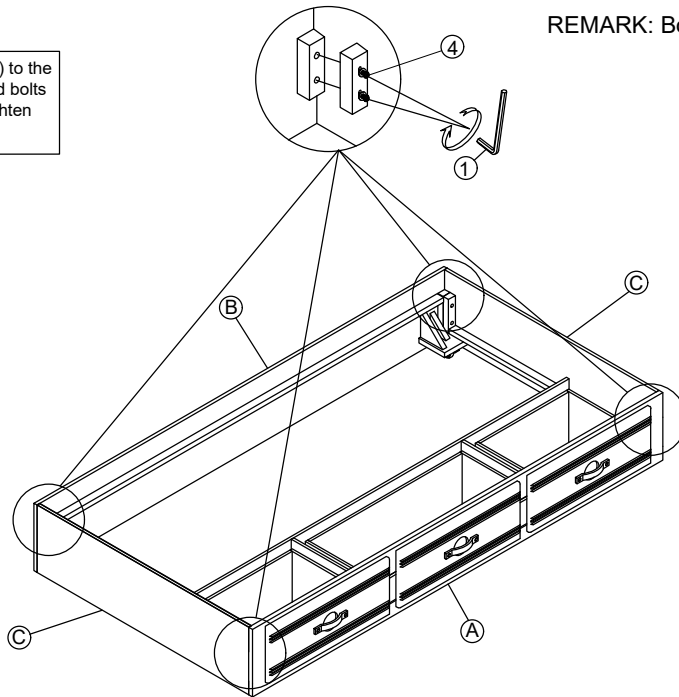
Thank you for purchasing this quality product. Be sure to check all packing material carefully for small parts which may have come loose inside the carton during shipment. Identify and count all parts and compare with the parts list below. Read all instructions before assembling bed and keep these instruction for future reference.

Assembly Instructions:

STEP 1

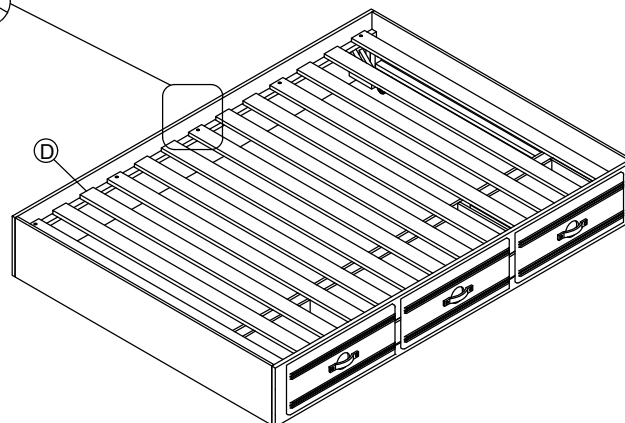
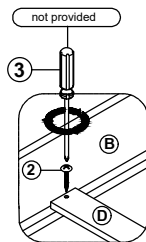
Attach Front Cases(A), Back Panel(B) to the Side Panel(C); Loosen pre-assembled bolts from the Side Panel(C) to secure. Tighten bolts using Allen Key(1) provided.

REMARK: Bolts are pre-assembled



STEP 2

Attach Slat Roll(D) to Platform bed: Tighten the screws with a Philips Screwdriver (Not provided) by screwing the screws into place.



DO NOT USE SUBSTITUTE PARTS. PLEASE CONTACT YOUR RETAIL STORE OR WWW.ROOMSTOGO.COM WITH SERVICE OR PARTS REPLACEMENT REQUEST.

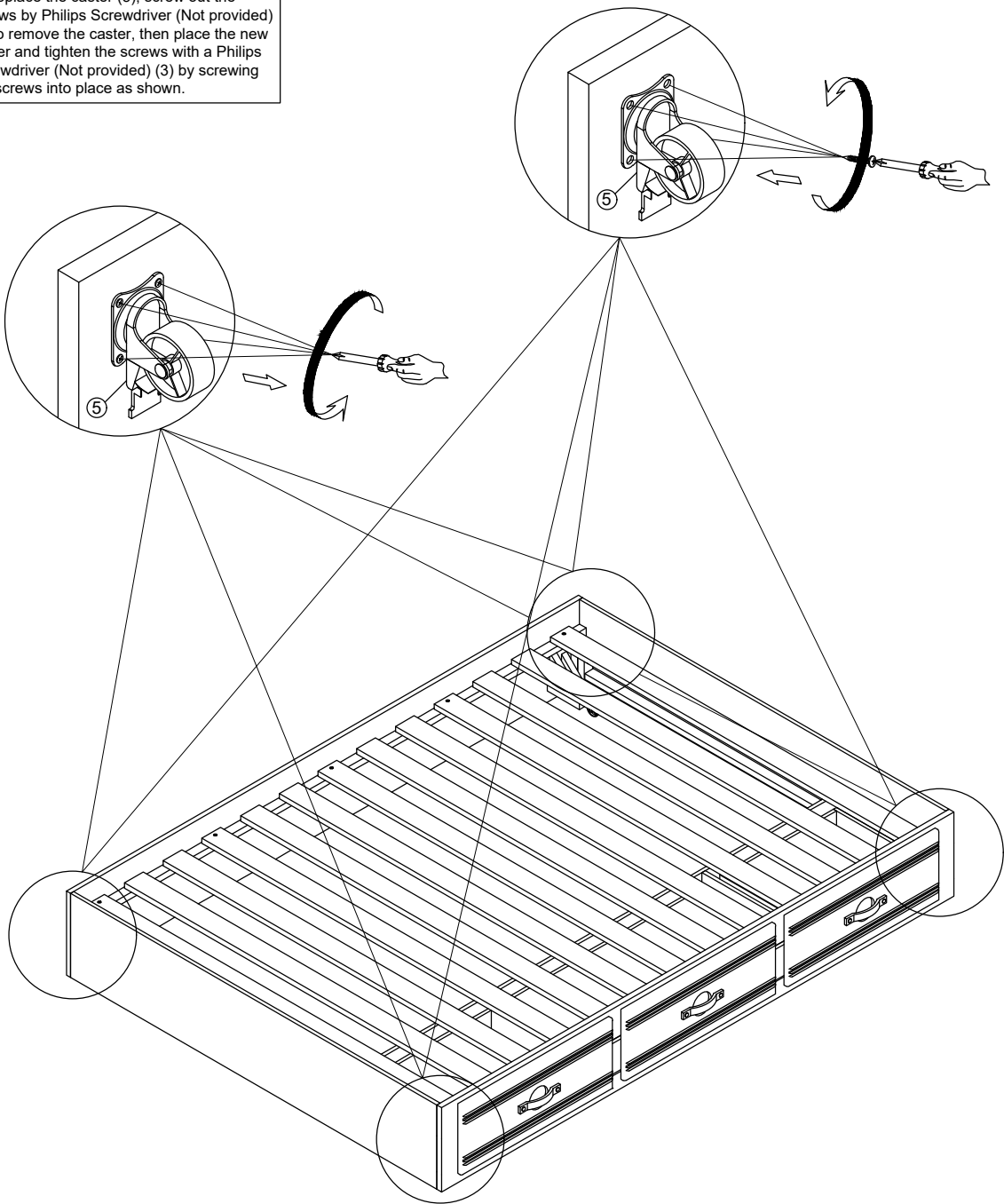
This product is manufactured by (JSFC) for **ROOMS TO GO® | KIDS**

Thank you for purchasing this quality product. Be sure to check all packing material carefully for small parts which may have come loose inside the carton during shipment. Identify and count all parts and compare with the parts list below. Read all instructions before assembling bed and keep these instruction for future reference.

Assembly Instructions:

STEP 3

To replace the caster (5), screw out the screws by Philips Screwdriver (Not provided) (3) to remove the caster, then place the new caster and tighten the screws with a Philips Screwdriver (Not provided) (3) by screwing the screws into place as shown.



DO NOT USE SUBSTITUTE PARTS. PLEASE CONTACT YOUR RETAIL STORE OR WWW.ROOMSTOGO.COM WITH SERVICE OR PARTS REPLACEMENT REQUEST.

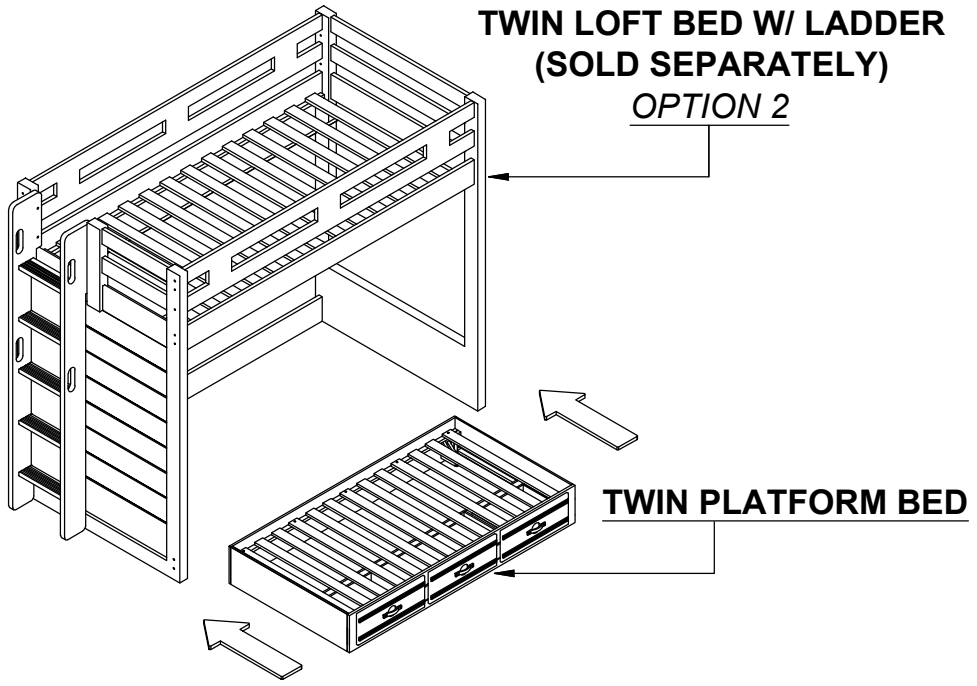
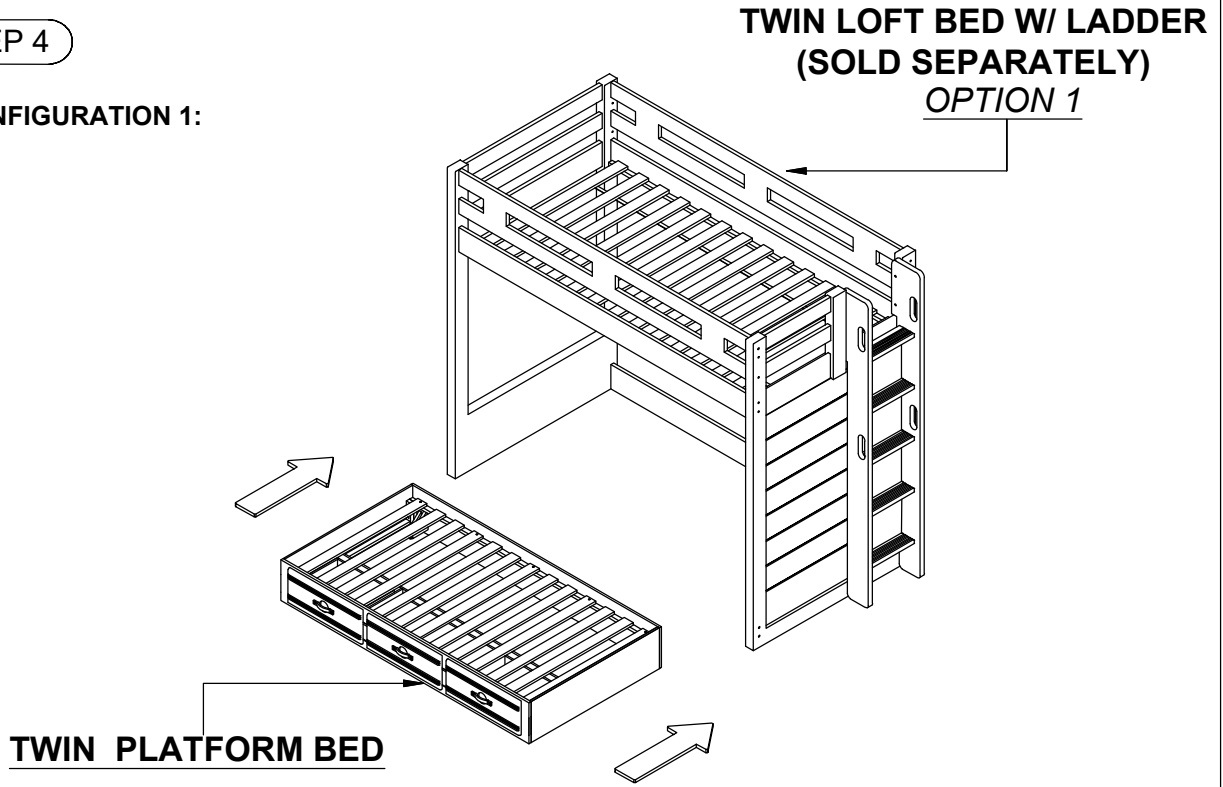
This product is manufactured by (JSFC) for **ROOMS TO GO® | KIDS**

Thank you for purchasing this quality product. Be sure to check all packing material carefully for small parts which may have come loose inside the carton during shipment. Identify and count all parts and compare with the parts list below. Read all instructions before assembling bed and keep these instruction for future reference.

Assembly Instructions:

STEP 4

CONFIGURATION 1:



DO NOT USE SUBSTITUTE PARTS. PLEASE CONTACT YOUR RETAIL STORE OR WWW.ROOMSTOGO.COM WITH SERVICE OR PARTS REPLACEMENT REQUEST.

This product is manufactured by (JSFC) for **ROOMS TO GO® | KIDS**

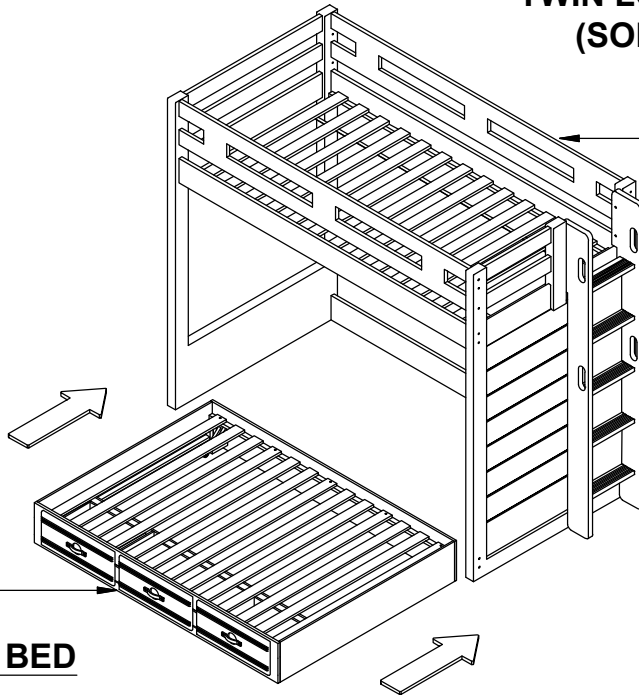
Thank you for purchasing this quality product. Be sure to check all packing material carefully for small parts which may have come loose inside the carton during shipment. Identify and count all parts and compare with the parts list below. Read all instructions before assembling bed and keep these instruction for future reference.

Assembly Instructions:

STEP 4

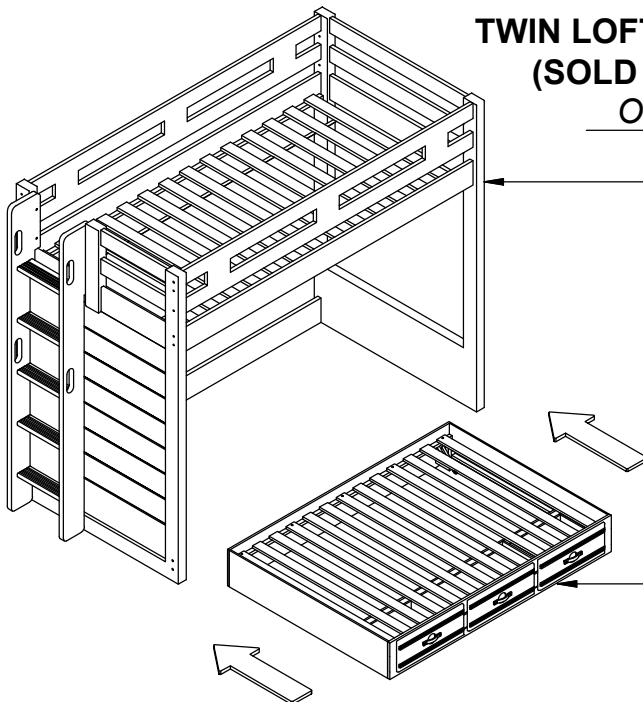
CONFIGURATION 2:

**TWIN LOFT BED W/ LADDER
(SOLD SEPARATELY)
OPTION 1**



FULL PLATFORM BED

**TWIN LOFT BED W/ LADDER
(SOLD SEPARATELY)
OPTION 2**



FULL PLATFORM BED

DO NOT USE SUBSTITUTE PARTS. PLEASE CONTACT YOUR RETAIL STORE OR WWW.ROOMSTOGO.COM WITH SERVICE OR PARTS REPLACEMENT REQUEST.

This product is manufactured by (JSFC) for **ROOMS TO GO® | KIDS**

Thank you for purchasing this quality product. Be sure to check all packing material carefully for small parts which may have come loose inside the carton during shipment. Identify and count all parts and compare with the parts list below. Read all instructions before assembling bed and keep these instruction for future reference.

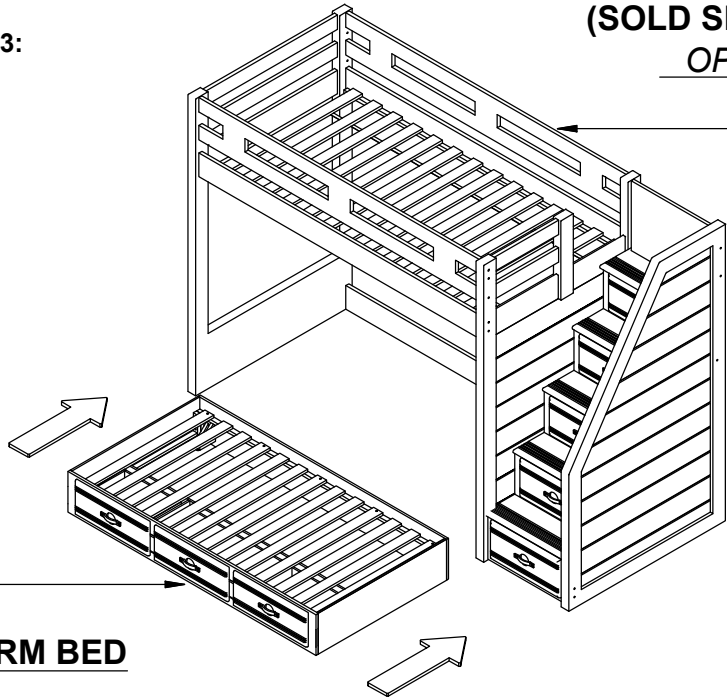
Assembly Instructions:

STEP 4

CONFIGURATION 3:

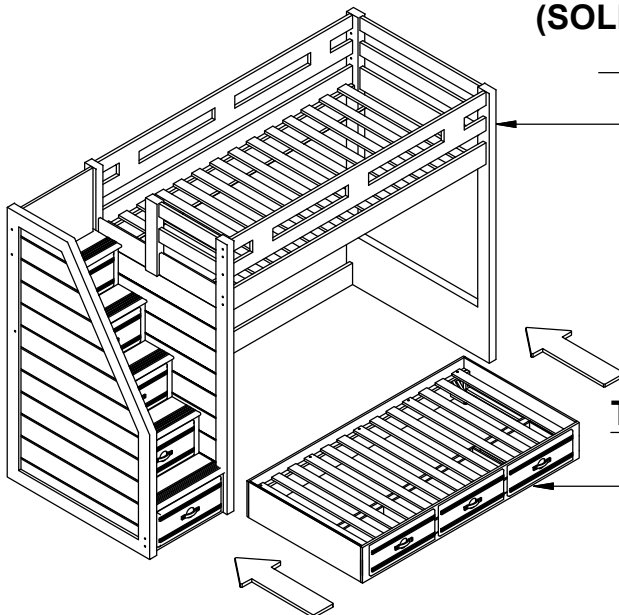
**TWIN LOFT BED W/ STAIRCASE
(SOLD SEPARATELY)
OPTION 1**

TWIN PLATFORM BED



**TWIN LOFT BED W/ STAIRCASE
(SOLD SEPARATELY)
OPTION 2**

TWIN PLATFORM BED



DO NOT USE SUBSTITUTE PARTS. PLEASE CONTACT YOUR RETAIL STORE OR WWW.ROOMSTOGO.COM WITH SERVICE OR PARTS REPLACEMENT REQUEST.

This product is manufactured by (JSFC) for **ROOMS TO GO® | KIDS**

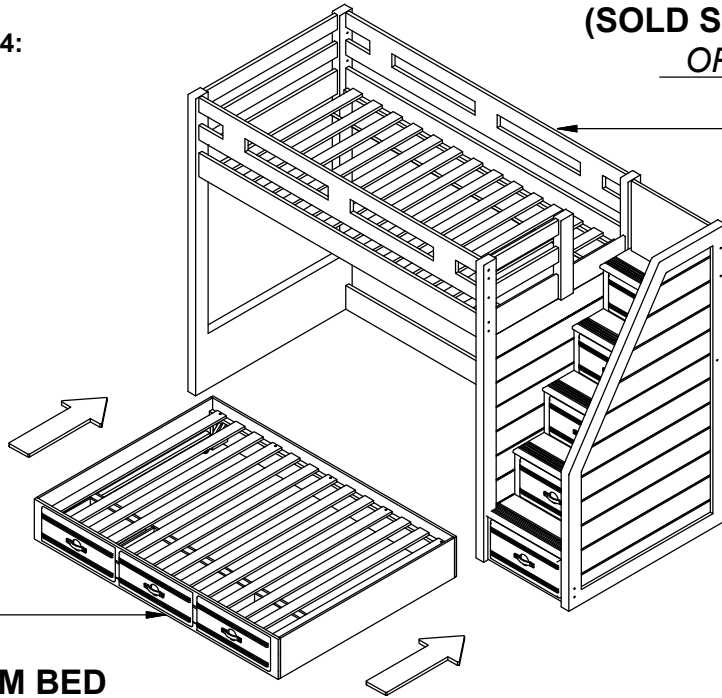
Thank you for purchasing this quality product. Be sure to check all packing material carefully for small parts which may have come loose inside the carton during shipment. Identify and count all parts and compare with the parts list below. Read all instructions before assembling bed and keep these instruction for future reference.

Assembly Instructions:

STEP 4

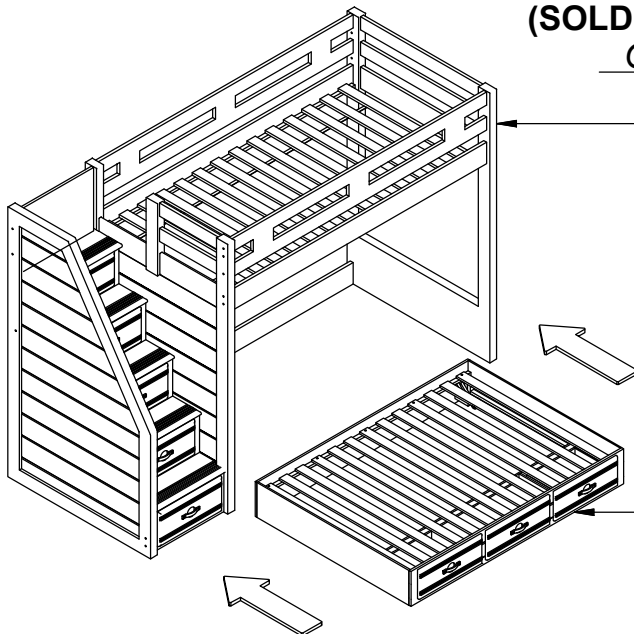
CONFIGURATION 4:

**TWIN LOFT BED W/ STAIRCASE
(SOLD SEPARATELY)
OPTION 1**



FULL PLATFORM BED

**TWIN LOFT BED W/ STAIRCASE
(SOLD SEPARATELY)
OPTION 2**



FULL PLATFORM BED

DO NOT USE SUBSTITUTE PARTS. PLEASE CONTACT YOUR RETAIL STORE OR WWW.ROOMSTOGO.COM WITH SERVICE OR PARTS REPLACEMENT REQUEST.

This product is manufactured by (JSFC) for **ROOMS TO GO® | KIDS**

Thank you for purchasing this quality product. Be sure to check all packing material carefully for small parts which may have come loose inside the carton during shipment. Identify and count all parts and compare with the parts list below. Read all instructions before assembling bed and keep these instruction for future reference.

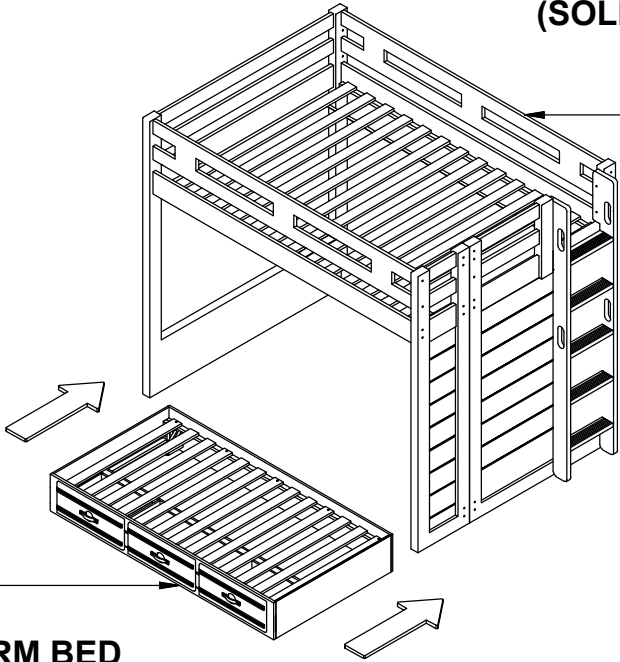
Assembly Instructions:

STEP 4

CONFIGURATION 5:

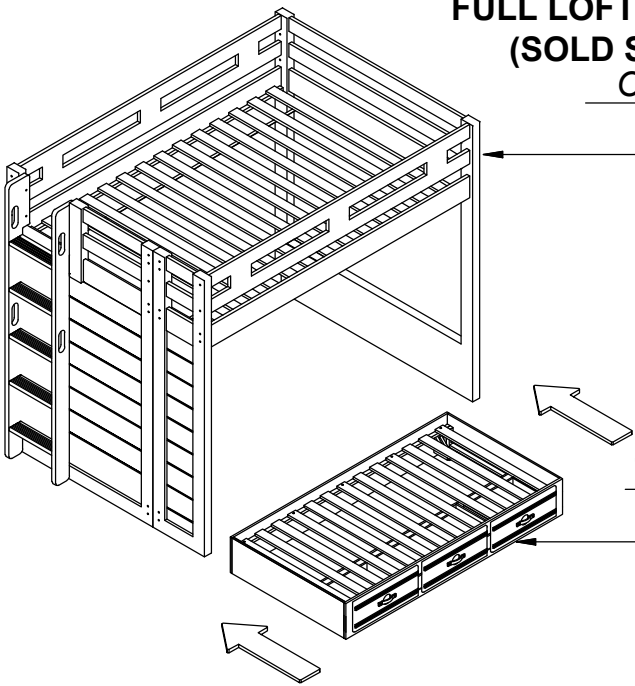
**FULL LOFT BED W/ LADDER
(SOLD SEPARATELY)
OPTION 1**

TWIN PLATFORM BED



**FULL LOFT BED W/ LADDER
(SOLD SEPARATELY)
OPTION 2**

TWIN PLATFORM BED



DO NOT USE SUBSTITUTE PARTS. PLEASE CONTACT YOUR RETAIL STORE OR WWW.ROOMSTOGO.COM WITH SERVICE OR PARTS REPLACEMENT REQUEST.

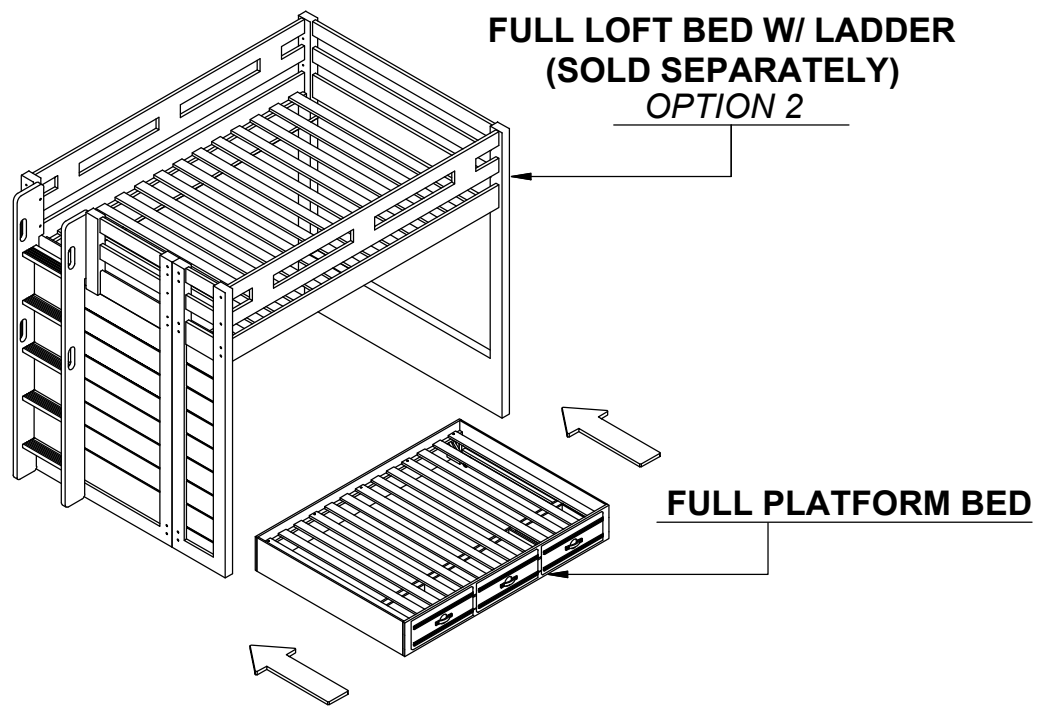
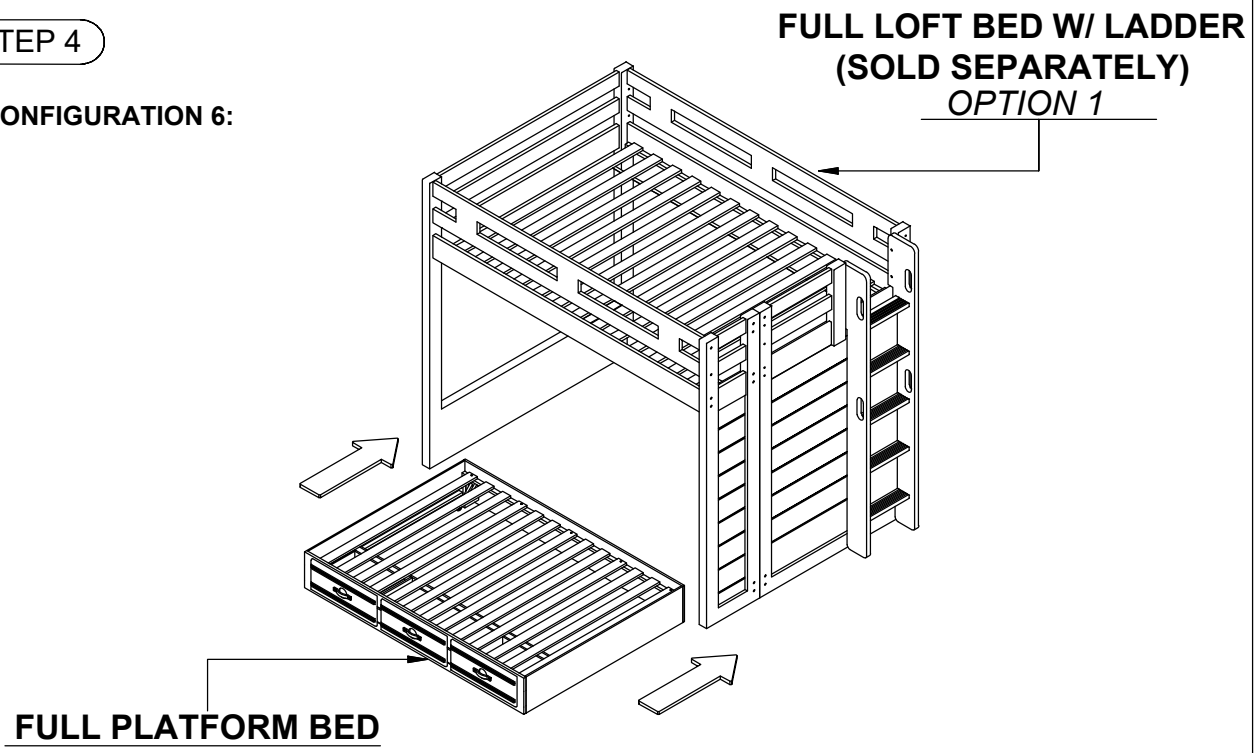
This product is manufactured by (JSFC) for **ROOMS TO GO® | KIDS**

Thank you for purchasing this quality product. Be sure to check all packing material carefully for small parts which may have come loose inside the carton during shipment. Identify and count all parts and compare with the parts list below. Read all instructions before assembling bed and keep these instruction for future reference.

Assembly Instructions:

STEP 4

CONFIGURATION 6:



DO NOT USE SUBSTITUTE PARTS. PLEASE CONTACT YOUR RETAIL STORE OR WWW.ROOMSTOGO.COM WITH SERVICE OR PARTS REPLACEMENT REQUEST.

This product is manufactured by (JSFC) for **ROOMS TO GO® | KIDS**

Thank you for purchasing this quality product. Be sure to check all packing material carefully for small parts which may have come loose inside the carton during shipment. Identify and count all parts and compare with the parts list below. Read all instructions before assembling bed and keep these instruction for future reference.

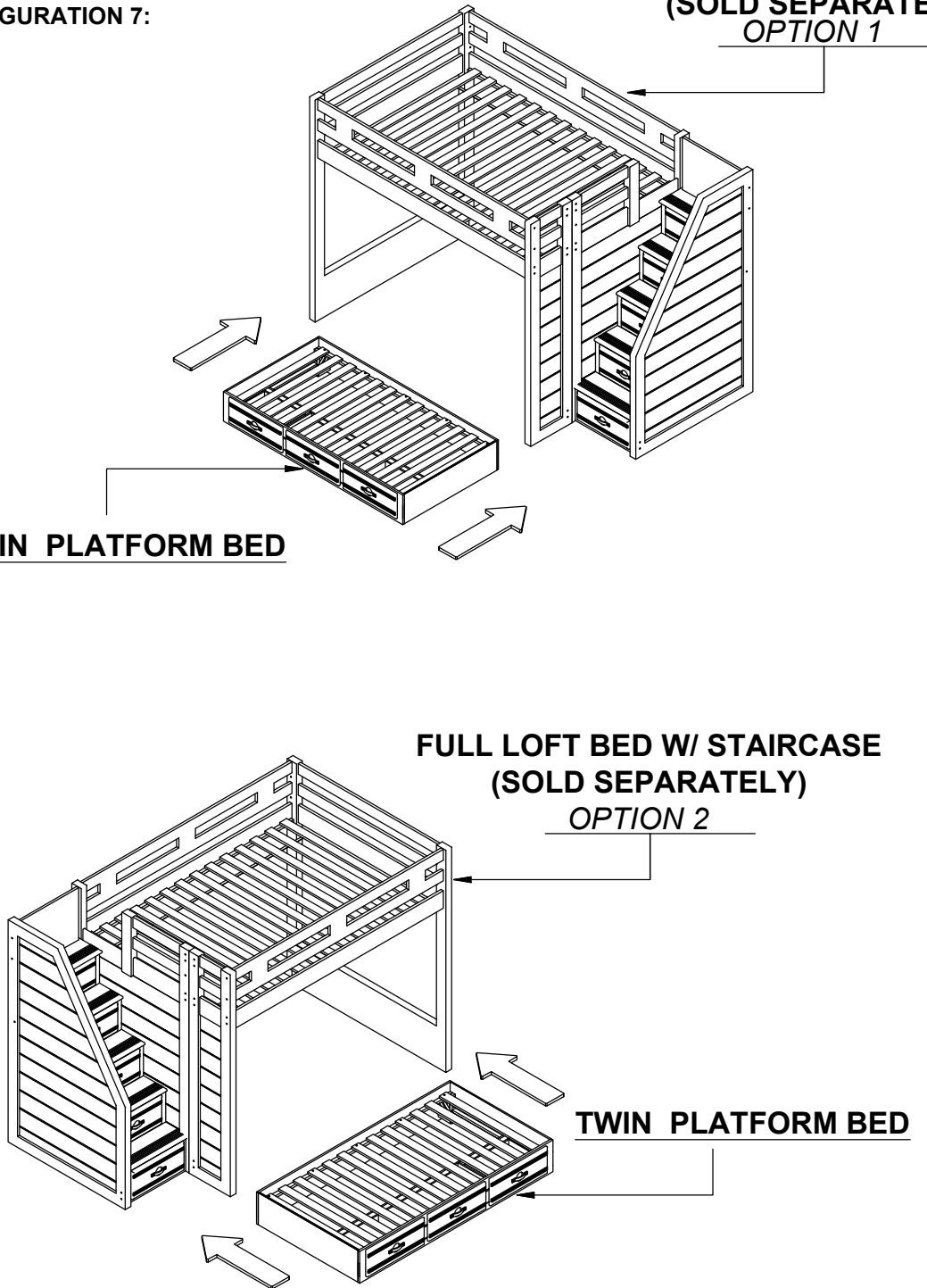
Assembly Instructions:

STEP 4

CONFIGURATION 7:

**FULL LOFT BED W/ STAIRCASE
(SOLD SEPARATELY)
OPTION 1**

TWIN PLATFORM BED



**FULL LOFT BED W/ STAIRCASE
(SOLD SEPARATELY)
OPTION 2**

TWIN PLATFORM BED

DO NOT USE SUBSTITUTE PARTS. PLEASE CONTACT YOUR RETAIL STORE OR WWW.ROOMSTOGO.COM WITH SERVICE OR PARTS REPLACEMENT REQUEST.

This product is manufactured by (JSFC) for **ROOMS TO GO® | KIDS**

Thank you for purchasing this quality product. Be sure to check all packing material carefully for small parts which may have come loose inside the carton during shipment. Identify and count all parts and compare with the parts list below. Read all instructions before assembling bed and keep these instruction for future reference.

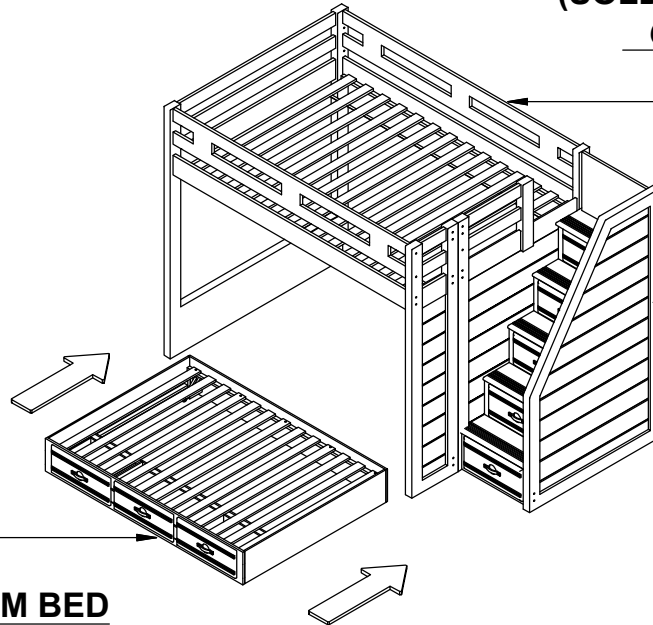
Assembly Instructions:

STEP 4

CONFIGURATION 8:

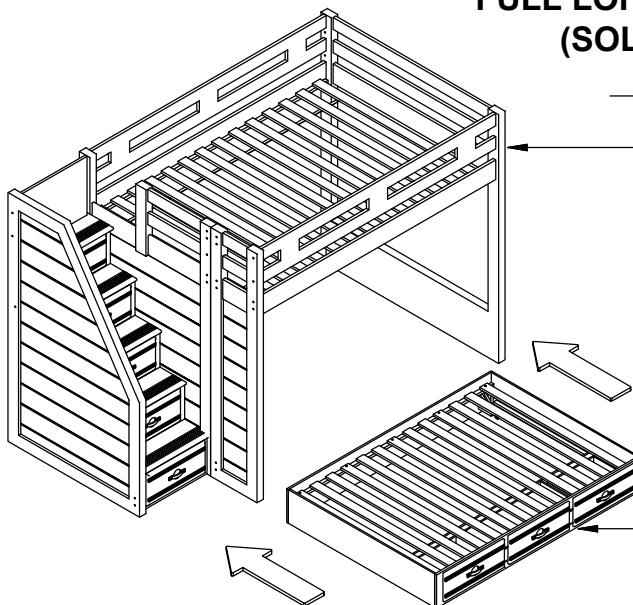
FULL LOFT BED W/ STAIRCASE
(SOLD SEPARATELY)
OPTION 1

FULL PLATFORM BED



FULL LOFT BED W/ STAIRCASE
(SOLD SEPARATELY)
OPTION 2

FULL PLATFORM BED



DO NOT USE SUBSTITUTE PARTS. PLEASE CONTACT YOUR RETAIL STORE OR WWW.ROOMSTOGO.COM WITH SERVICE OR PARTS REPLACEMENT REQUEST.

This product is manufactured by (JSFC) for **ROOMS TO GO** | **KIDS**

Thank you for purchasing this quality product. Be sure to check all packing material carefully for small parts which may have come loose inside the carton during shipment. Identify and count all parts and compare with the parts list below. Read all instructions before assembling bed and keep these instruction for future reference.

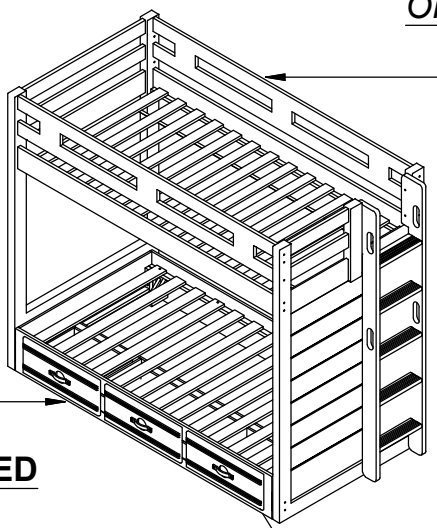
Assembly Instructions:

STEP 5

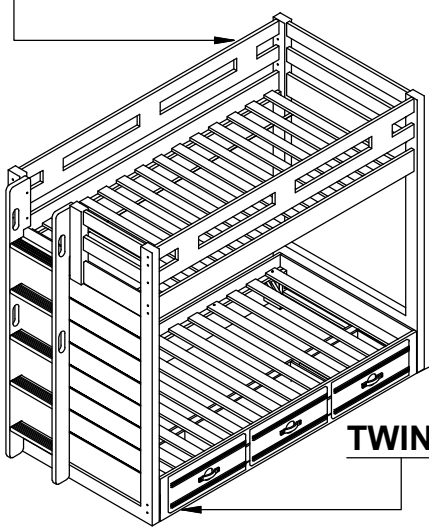
CONFIGURATION 1:

**TWIN LOFT BED W/ LADDER
(SOLD SEPARATELY)
OPTION 1**

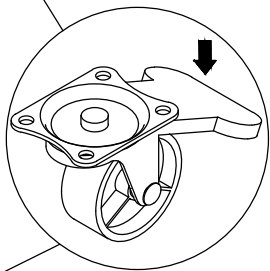
TWIN PLATFORM BED



**TWIN LOFT BED W/ LADDER
(SOLD SEPARATELY)
OPTION 2**



TWIN PLATFORM BED



The twin platform bed can slide under the bed.

DO NOT USE SUBSTITUTE PARTS. PLEASE CONTACT YOUR RETAIL STORE OR WWW.ROOMSTOGO.COM WITH SERVICE OR PARTS REPLACEMENT REQUEST.

This product is manufactured by (JSFC) for **ROOMS TO GO® | KIDS**

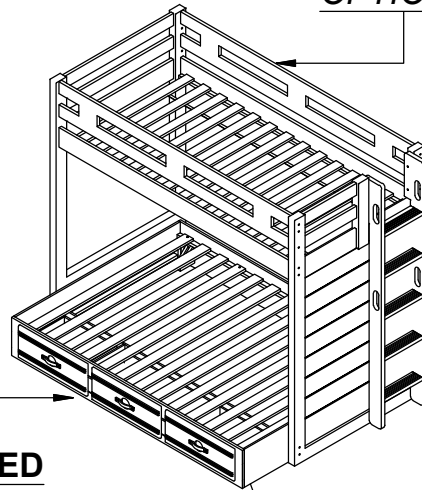
Thank you for purchasing this quality product. Be sure to check all packing material carefully for small parts which may have come loose inside the carton during shipment. Identify and count all parts and compare with the parts list below. Read all instructions before assembling bed and keep these instruction for future reference.

Assembly Instructions:

STEP 5

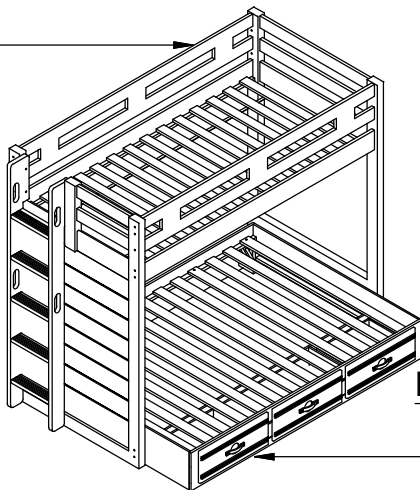
CONFIGURATION 2:

TWIN LOFT BED W/ LADDER (SOLD SEPARATELY) OPTION 1

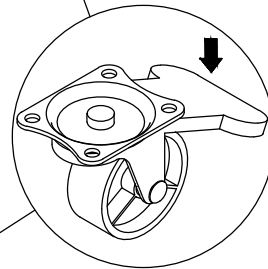


FULL PLATFORM BED

TWIN LOFT BED W/ LADDER (SOLD SEPARATELY) OPTION 2



FULL PLATFORM BED



The full platform bed can slide under the bed.

DO NOT USE SUBSTITUTE PARTS. PLEASE CONTACT YOUR RETAIL STORE OR WWW.ROOMSTOGO.COM WITH SERVICE OR PARTS REPLACEMENT REQUEST.

This product is manufactured by (JSFC) for **ROOMS TO GO® | KIDS**

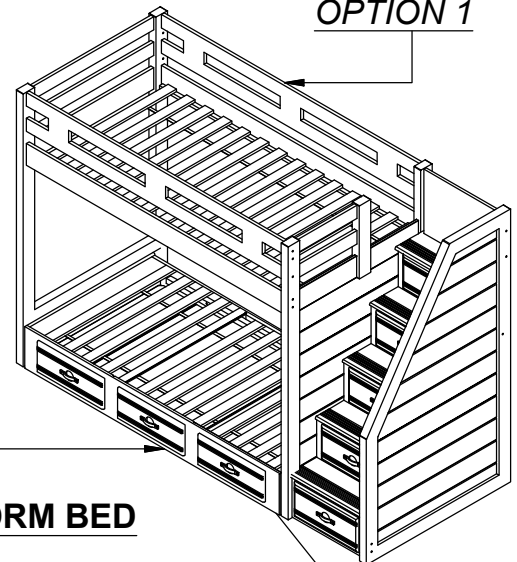
Thank you for purchasing this quality product. Be sure to check all packing material carefully for small parts which may have come loose inside the carton during shipment. Identify and count all parts and compare with the parts list below. Read all instructions before assembling bed and keep these instruction for future reference.

Assembly Instructions:

STEP 5

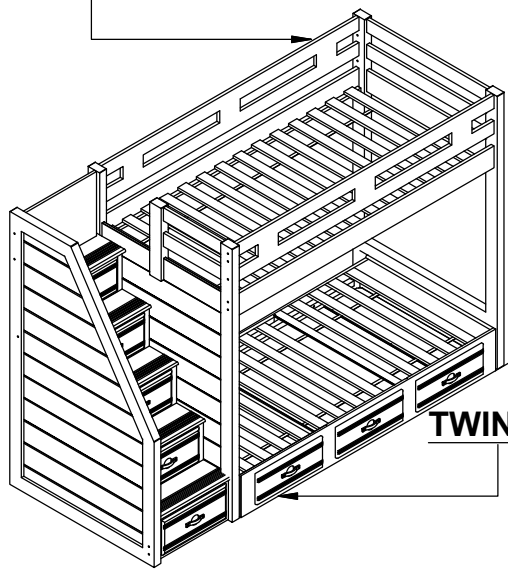
CONFIGURATION 3:

**TWIN LOFT BED W/ STAIRCASE
(SOLD SEPARATELY)
OPTION 1**

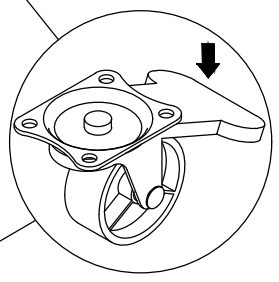


TWIN PLATFORM BED

**TWIN LOFT BED W/ STAIRCASE
(SOLD SEPARATELY)
OPTION 2**



TWIN PLATFORM BED



The twin platform bed can slide under the bed.

DO NOT USE SUBSTITUTE PARTS. PLEASE CONTACT YOUR RETAIL STORE OR WWW.ROOMSTOGO.COM WITH SERVICE OR PARTS REPLACEMENT REQUEST.

This product is manufactured by (JSFC) for **ROOMS TO GO® | KIDS**

Thank you for purchasing this quality product. Be sure to check all packing material carefully for small parts which may have come loose inside the carton during shipment. Identify and count all parts and compare with the parts list below. Read all instructions before assembling bed and keep these instruction for future reference.

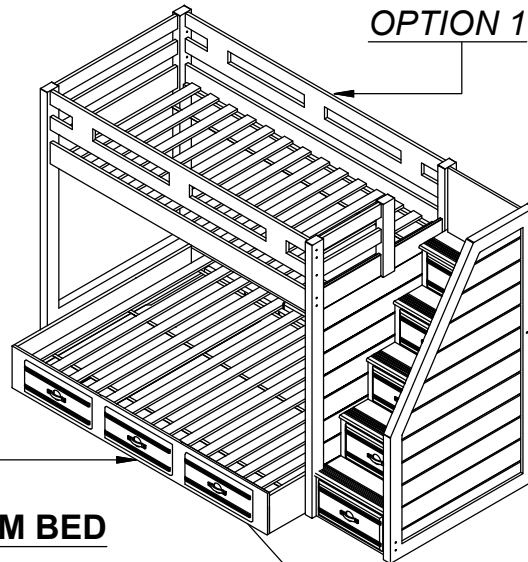
Assembly Instructions:

STEP 5

CONFIGURATION 4:

TWIN LOFT BED W/ STAIRCASE (SOLD SEPARATELY)

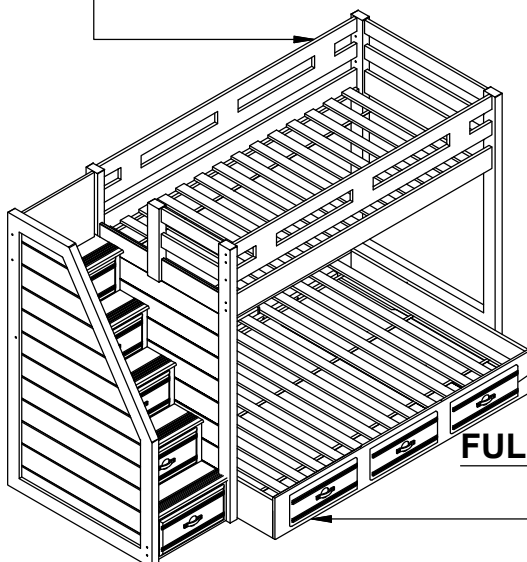
OPTION 1



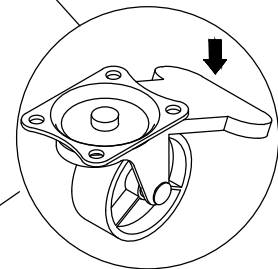
FULL PLATFORM BED

TWIN LOFT BED W/ STAIRCASE (SOLD SEPARATELY)

OPTION 2



FULL PLATFORM BED



The full platform bed can slide under the bed.

DO NOT USE SUBSTITUTE PARTS. PLEASE CONTACT YOUR RETAIL STORE OR WWW.ROOMSTOGO.COM WITH SERVICE OR PARTS REPLACEMENT REQUEST.

This product is manufactured by (JSFC) for **ROOMS TO GO® | KIDS**

Thank you for purchasing this quality product. Be sure to check all packing material carefully for small parts which may have come loose inside the carton during shipment. Identify and count all parts and compare with the parts list below. Read all instructions before assembling bed and keep these instruction for future reference.

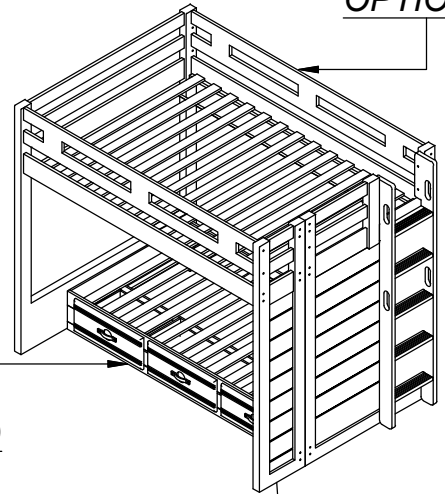
Assembly Instructions:

STEP 5

CONFIGURATION 5:

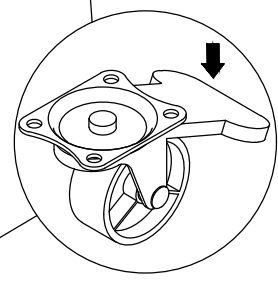
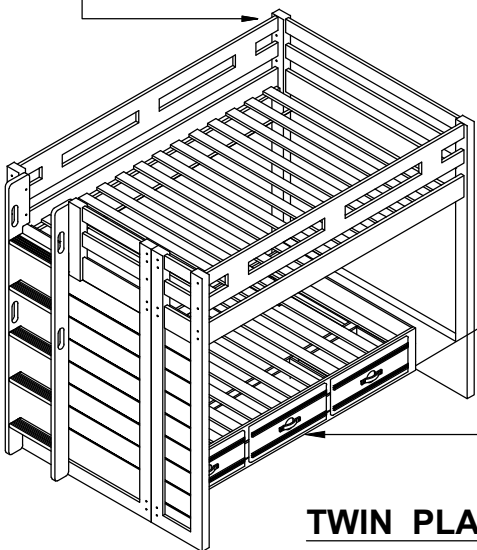
**FULL LOFT BED W/ LADDER
(SOLD SEPARATELY)
OPTION 1**

TWIN PLATFORM BED



**FULL LOFT BED W/ LADDER
(SOLD SEPARATELY)
OPTION 2**

TWIN PLATFORM BED



The twin platform bed can slide under the bed.

DO NOT USE SUBSTITUTE PARTS. PLEASE CONTACT YOUR RETAIL STORE OR WWW.ROOMSTOGO.COM WITH SERVICE OR PARTS REPLACEMENT REQUEST.

This product is manufactured by (JSFC) for **ROOMS TO GO® | KIDS**

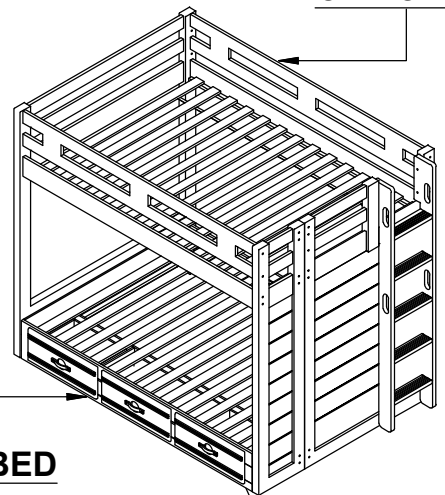
Thank you for purchasing this quality product. Be sure to check all packing material carefully for small parts which may have come loose inside the carton during shipment. Identify and count all parts and compare with the parts list below. Read all instructions before assembling bed and keep these instruction for future reference.

Assembly Instructions:

STEP 5

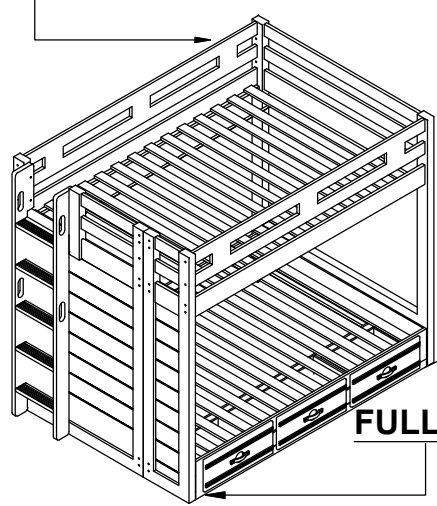
CONFIGURATION 6:

**FULL LOFT BED W/ LADDER
(SOLD SEPARATELY)
OPTION 1**

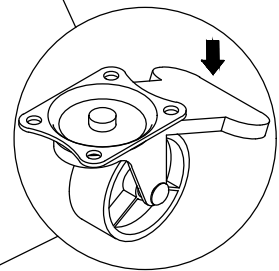


FULL PLATFORM BED

**FULL LOFT BED W/ LADDER
(SOLD SEPARATELY)
OPTION 2**



FULL PLATFORM BED



The full platform bed can slide under the bed.

DO NOT USE SUBSTITUTE PARTS. PLEASE CONTACT YOUR RETAIL STORE OR WWW.ROOMSTOGO.COM WITH SERVICE OR PARTS REPLACEMENT REQUEST.

This product is manufactured by (JSFC) for **ROOMS TO GO® | KIDS**

Thank you for purchasing this quality product. Be sure to check all packing material carefully for small parts which may have come loose inside the carton during shipment. Identify and count all parts and compare with the parts list below. Read all instructions before assembling bed and keep these instruction for future reference.

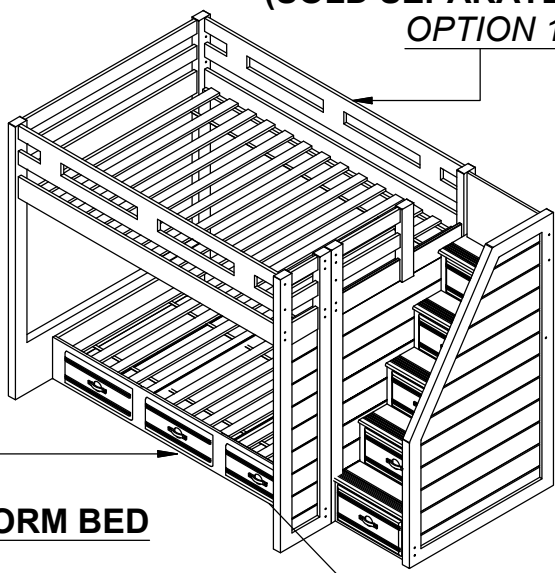
Assembly Instructions:

STEP 5

CONFIGURATION 7:

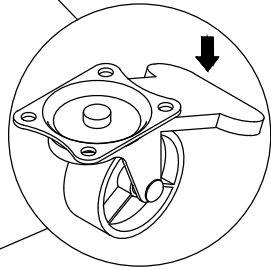
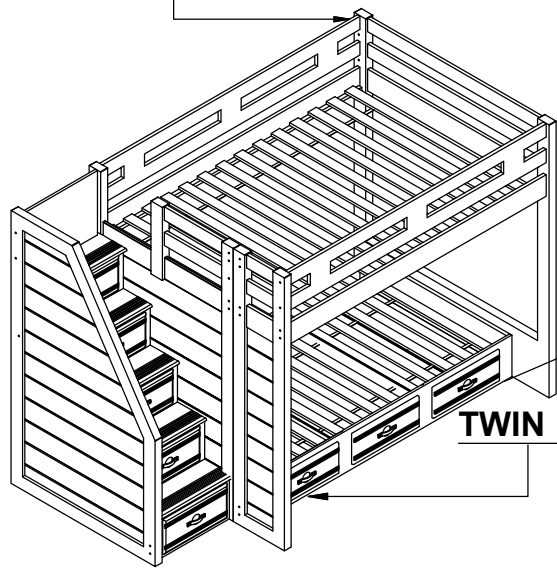
**FULL LOFT BED W/ STAIRCASE
(SOLD SEPARATELY)
OPTION 1**

TWIN PLATFORM BED



**FULL LOFT BED W/ STAIRCASE
(SOLD SEPARATELY)
OPTION 2**

TWIN PLATFORM BED



The twin platform bed can slide under the bed.

DO NOT USE SUBSTITUTE PARTS. PLEASE CONTACT YOUR RETAIL STORE OR WWW.ROOMSTOGO.COM WITH SERVICE OR PARTS REPLACEMENT REQUEST.

This product is manufactured by (JSFC) for **ROOMS TO GO® | KIDS**

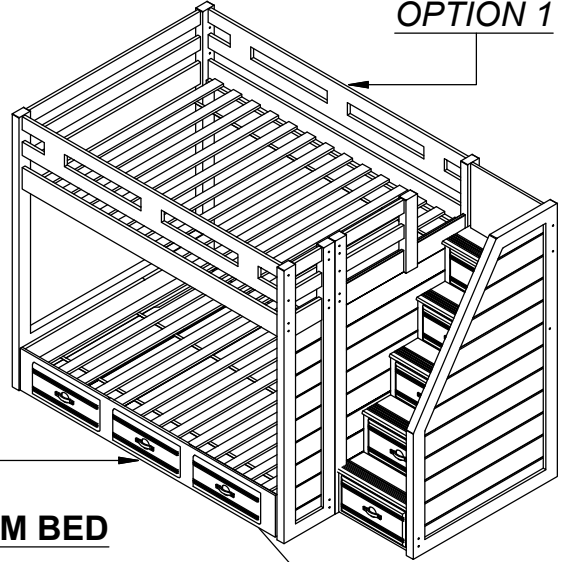
Thank you for purchasing this quality product. Be sure to check all packing material carefully for small parts which may have come loose inside the carton during shipment. Identify and count all parts and compare with the parts list below. Read all instructions before assembling bed and keep these instruction for future reference.

Assembly Instructions:

STEP 5

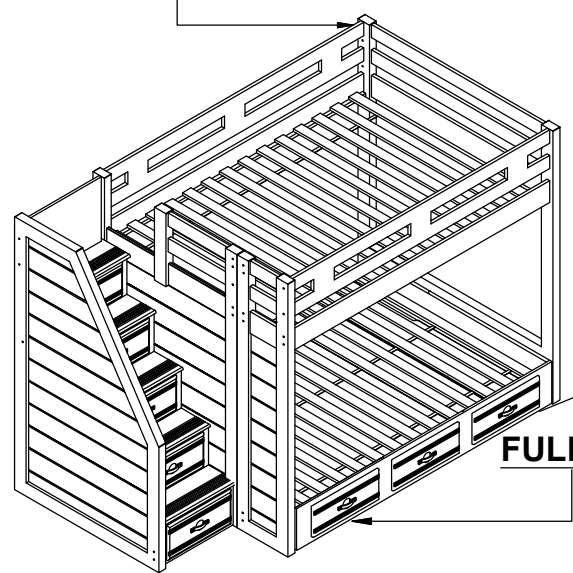
CONFIGURATION 8:

**FULL LOFT BED W/ STAIRCASE
(SOLD SEPARATELY)
OPTION 1**

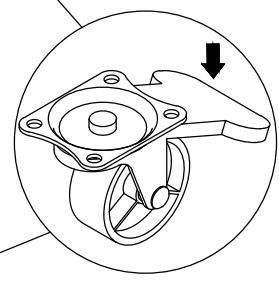


FULL PLATFORM BED

**FULL LOFT BED W/ STAIRCASE
(SOLD SEPARATELY)
OPTION 2**



FULL PLATFORM BED



The full platform bed can slide under the bed.

DO NOT USE SUBSTITUTE PARTS. PLEASE CONTACT YOUR RETAIL STORE OR WWW.ROOMSTOGO.COM WITH SERVICE OR PARTS REPLACEMENT REQUEST.

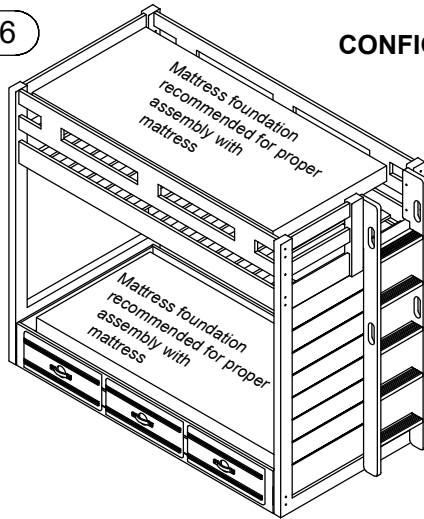
This product is manufactured by (JSFC) for **ROOMS TO GO® | KIDS**

Thank you for purchasing this quality product. Be sure to check all packing material carefully for small parts which may have come loose inside the carton during shipment. Identify and count all parts and compare with the parts list below. Read all instructions before assembling bed and keep these instruction for future reference.

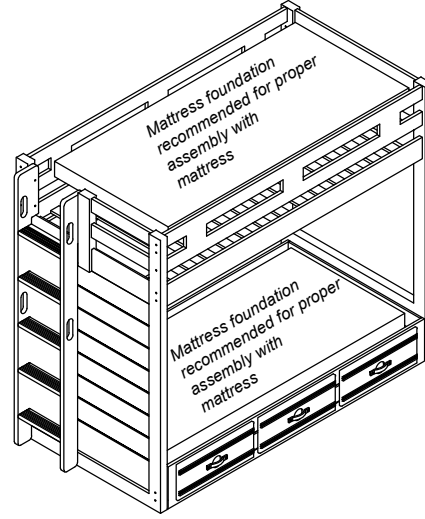
Assembly Instructions:

STEP 6

CONFIGURATION 1:

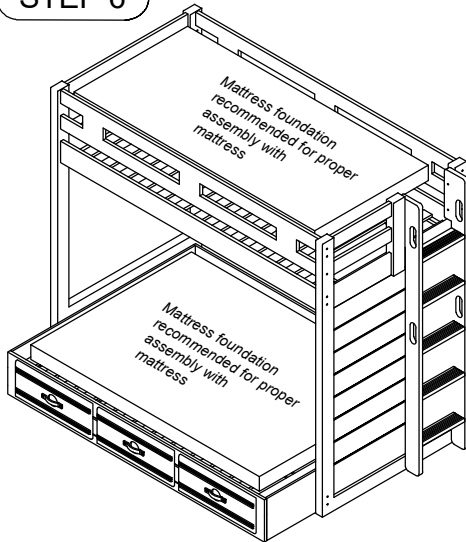


**TWIN LOFT BED W/ LADDER
& TWIN PLATFORM BED
OPTION 1**

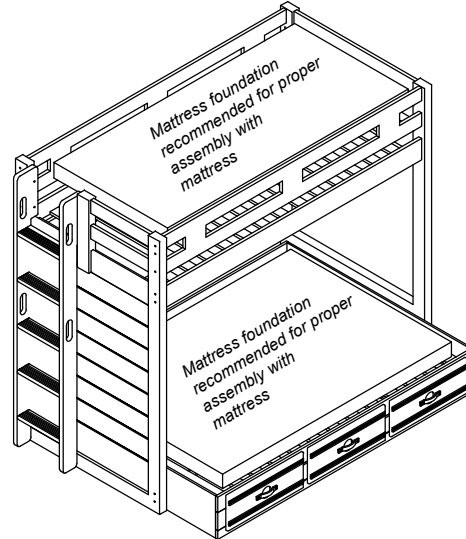


**TWIN LOFT BED W/ LADDER
& TWIN PLATFORM BED
OPTION 2**

STEP 6



**TWIN LOFT BED W/ LADDER
& FULL PLATFORM BED
OPTION 3**



**TWIN LOFT BED W/ LADDER
& FULL PLATFORM BED
OPTION 4**

A mattress foundation is recommended for proper assembly with mattress. Place the mattress foundation (not provided) on top

DO NOT USE SUBSTITUTE PARTS. PLEASE CONTACT YOUR RETAIL STORE OR WWW.ROOMSTOGO.COM WITH SERVICE OR PARTS REPLACEMENT REQUEST.

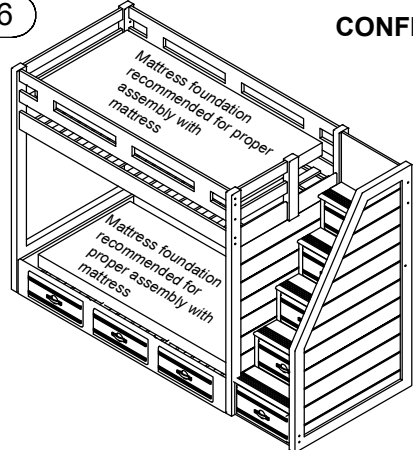
This product is manufactured by (JSFC) for **ROOMS TO GO® | KIDS**

Thank you for purchasing this quality product. Be sure to check all packing material carefully for small parts which may have come loose inside the carton during shipment. Identify and count all parts and compare with the parts list below. Read all instructions before assembling bed and keep these instruction for future reference.

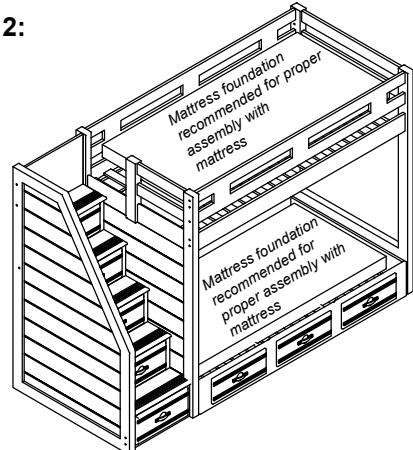
Assembly Instructions:

STEP 6

CONFIGURATION 2:

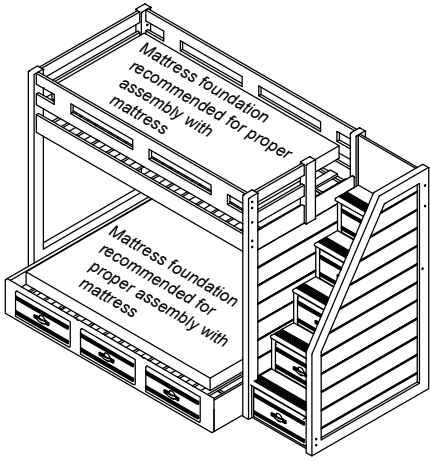


TWIN LOFT BED W/ STAIRCASE & TWIN PLATFORM BED
OPTION 1

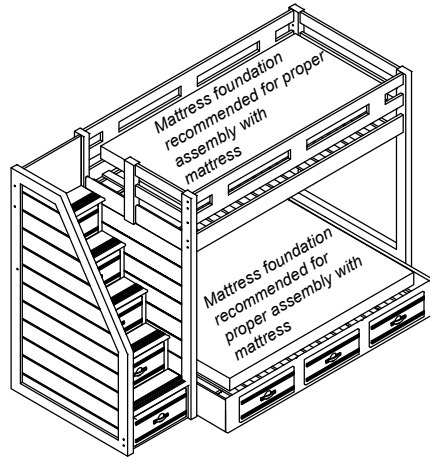


TWIN LOFT BED W/ STAIRCASE & TWIN PLATFORM BED
OPTION 2

STEP 6



TWIN LOFT BED W/ STAIRCASE & FULL PLATFORM BED
OPTION 3



TWIN LOFT BED W/ STAIRCASE & FULL PLATFORM BED
OPTION 4

A mattress foundation is recommended for proper assembly with mattress. Place the mattress foundation (not provided) on top

DO NOT USE SUBSTITUTE PARTS. PLEASE CONTACT YOUR RETAIL STORE OR WWW.ROOMSTOGO.COM WITH SERVICE OR PARTS REPLACEMENT REQUEST.

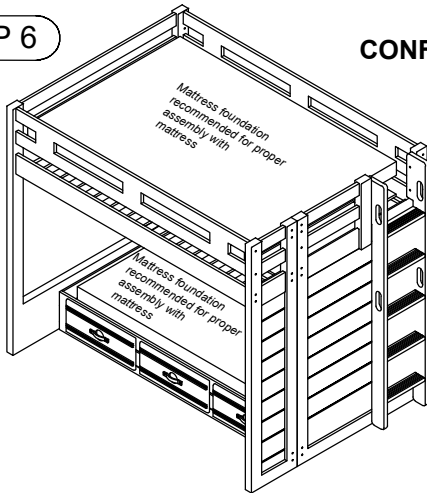
This product is manufactured by (JSFC) for **ROOMS TO GO® | KIDS**

Thank you for purchasing this quality product. Be sure to check all packing material carefully for small parts which may have come loose inside the carton during shipment. Identify and count all parts and compare with the parts list below. Read all instructions before assembling bed and keep these instruction for future reference.

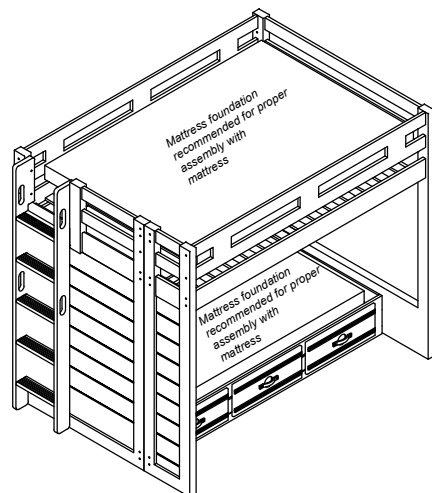
Assembly Instructions:

STEP 6

CONFIGURATION 3:

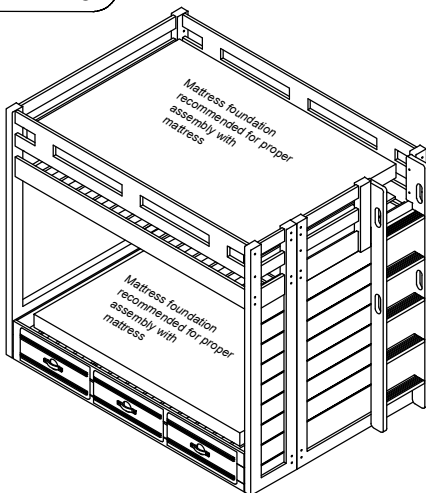


**FULL LOFT BED W/ LADDER
& TWIN PLATFORM BED
OPTION 1**

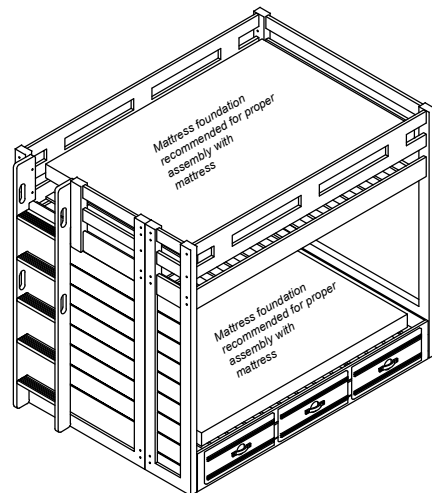


**FULL LOFT BED W/ LADDER
& TWIN PLATFORM BED
OPTION 2**

STEP 6



**FULL LOFT BED W/ LADDER
& FULL PLATFORM BED
OPTION 3**



**FULL LOFT BED W/ LADDER
& FULL PLATFORM BED
OPTION 4**

A mattress foundation is recommended for proper assembly with mattress. Place the mattress foundation (not provided) on top

DO NOT USE SUBSTITUTE PARTS. PLEASE CONTACT YOUR RETAIL STORE OR WWW.ROOMSTOGO.COM WITH SERVICE OR PARTS REPLACEMENT REQUEST.

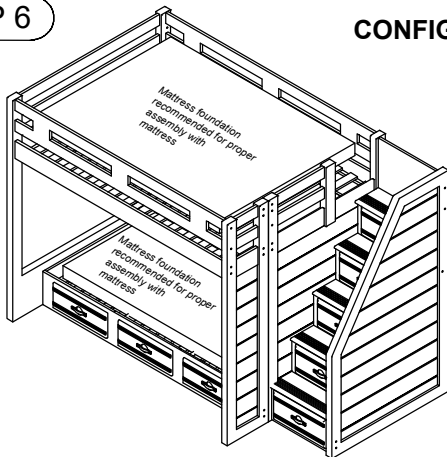
This product is manufactured by (JSFC) for **ROOMS TO GO® | KIDS**

Thank you for purchasing this quality product. Be sure to check all packing material carefully for small parts which may have come loose inside the carton during shipment. Identify and count all parts and compare with the parts list below. Read all instructions before assembling bed and keep these instruction for future reference.

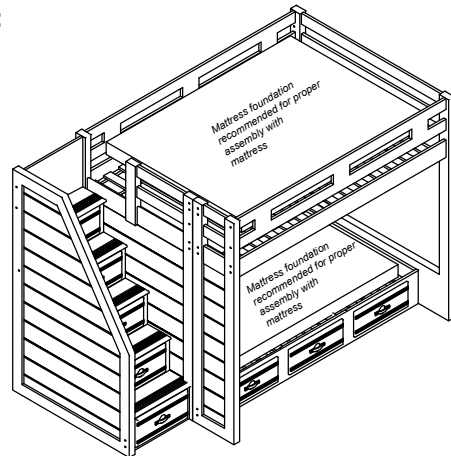
Assembly Instructions:

STEP 6

CONFIGURATION 4:



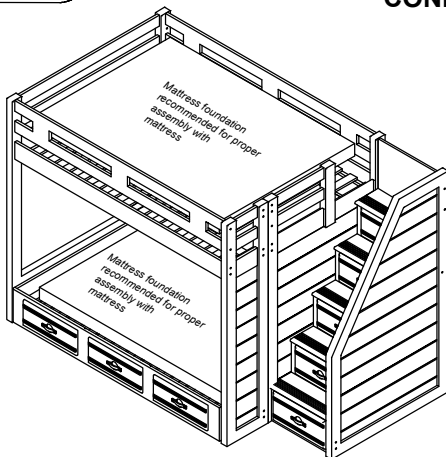
**FULL LOFT BED W/ STAIRCASE
& TWIN PLATFORM BED**
OPTION 1



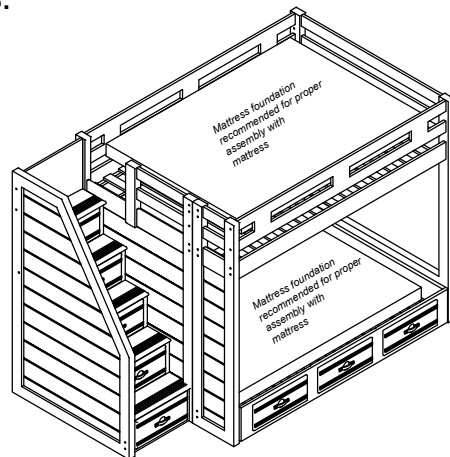
**FULL LOFT BED W/ STAIRCASE
& TWIN PLATFORM BED**
OPTION 2

STEP 6

CONFIGURATION 8:



**FULL LOFT BED W/ STAIRCASE
& FULL PLATFORM BED**
OPTION 3



**FULL LOFT BED W/ STAIRCASE
& FULL PLATFORM BED**
OPTION 4

A mattress foundation is recommended for proper assembly with mattress. Place the mattress foundation (not provided) on top

DO NOT USE SUBSTITUTE PARTS. PLEASE CONTACT YOUR RETAIL STORE OR WWW.ROOMSTOGO.COM WITH SERVICE OR PARTS REPLACEMENT REQUEST.

This product is manufactured by (JSFC) for **ROOMS TO GO® | KIDS**