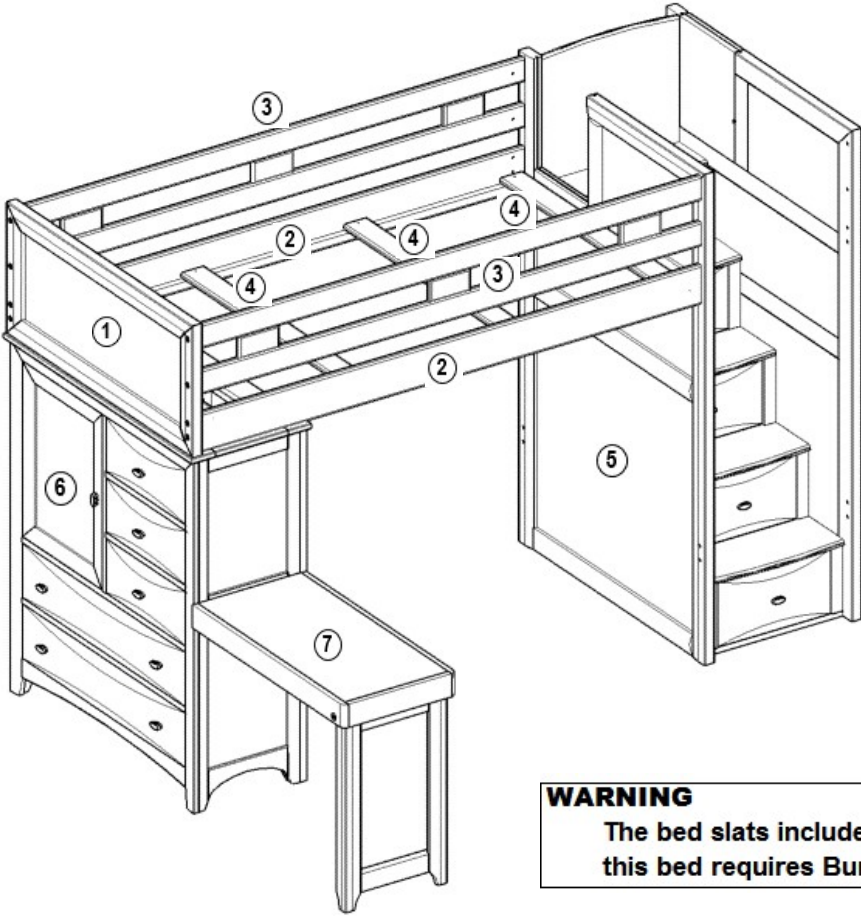


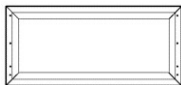








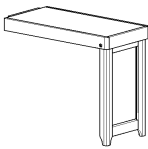
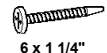

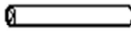

PARTS LIST



| 3582360P TWIN STEP LOFT W/CHEST & DESK ATT. WALNUT | | |
|--|---------|------------------------|
| RTG SKU # | STYLE # | ITEM DESCRIPTION |
| 35723609 | 3260160 | STEP BUNK UNIT |
| 35623607 | 3260705 | TWIN TOP BUNKBED END |
| 36523606 | 3260731 | 2 SIDE RLS/2 GUARD RLS |
| 35923603 | 3260711 | 5 DRW. LOFT CHEST |
| 36123608 | 3260601 | FOLDING DESK |
| 38000232 | 100-645 | TWIN SLAT PACK (4) |

| 3581326P TWIN STEP LOFT W/CHEST & DESK ATT. WHITE | | |
|---|---------|------------------------|
| RTG SKU # | STYLE # | ITEM DESCRIPTION |
| 35713266 | 3261160 | STEP BUNK UNIT |
| 35613264 | 3261705 | TWIN TOP BUNKBED END |
| 36513263 | 3261731 | 2 SIDE RLS/2 GUARD RLS |
| 35913260 | 3261711 | 5 DRW. LOFT CHEST |
| 36113265 | 3261601 | FOLDING DESK |
| 38000232 | 100-645 | TWIN SLAT PACK (4) |

WARNING
 The bed slats included with this bed will not support a mattress alone, this bed requires Bunkie boards (sold separately)

| PARTS LIST | | QTY | PARTS LIST | | QTY | HARDWARE LIST | | QTY | TOOLS NEEDED | |
|------------|---|------|------------|---|------|---|--|--------|--|--|
| 1 |  | 1 Pc | 5 |  | 1 Pc | A |  5/16-18 x 50 mm Bolt | 16 Pcs | Phillips screwdriver (not included)  | |
| 2 |  | 2 Pc | 6 |  | 1 Pc | B |  5 mm Hex key | 1 Pc | 5 mm Hex key (included)  | |
| 3 |  | 2 Pc | 7 |  | 1 Pc | C |  6 x 1 1/4" Drywall screw | 10 Pcs | | |
| 4 |  | 4 Pc | | | D |  3/8" x 4" Metal pin | 2 Pcs | | | |
| | | | | | E |  3/4" Screw | 1 Pcs | | | |

**TWO PEOPLE ARE NEEDED TO ASSEMBLE
 DO NOT TIGHTEN COMPLETELY UNTIL ALL PIECES
 ARE CONNECTED TOGETHER**

ASSEMBLY INSTRUCTIONS

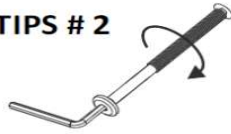
TIPS : SEE ILLUSTRATION BELOW

- 1- Use the long end of the allen wrench to fasten bolts loosely and quickly.
- 2- Use the short end of the allen wrench for final tightening

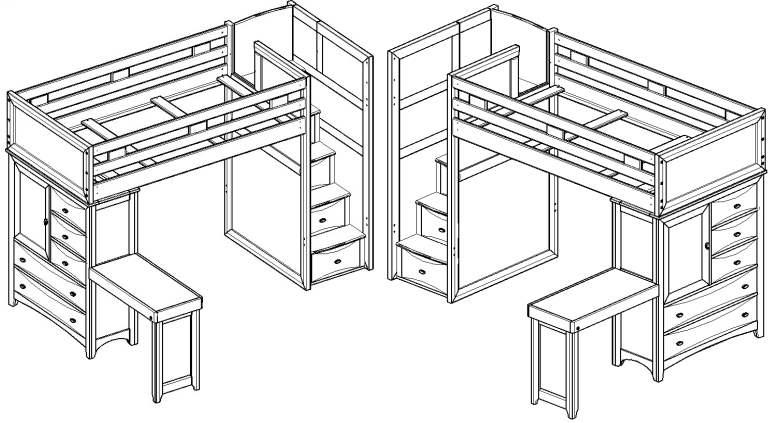
TIPS # 1



TIPS # 2

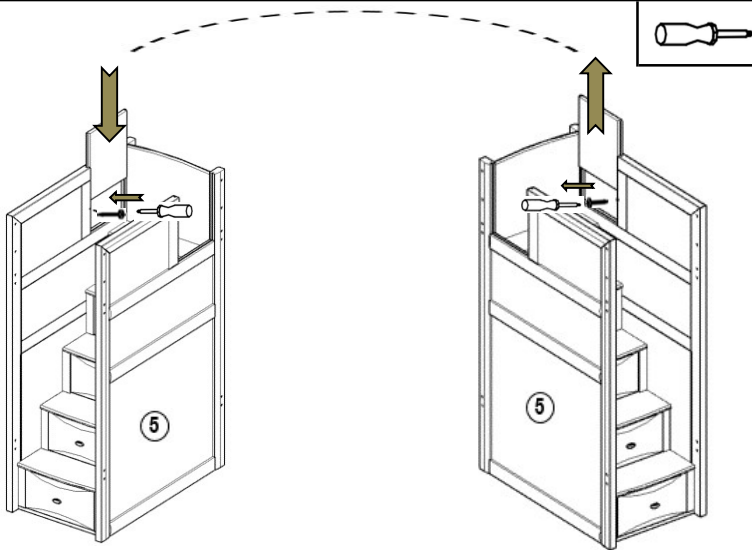


FIRST DETERMINE THE CONFIGURATION THAT FITS YOUR ROOM



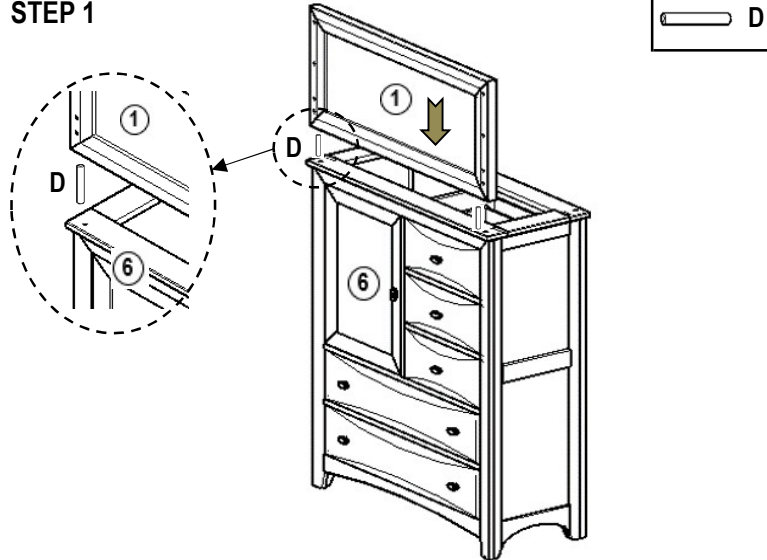
STAIRS ON THE RIGHT
(Factory setting)

STAIRS ON THE LEFT



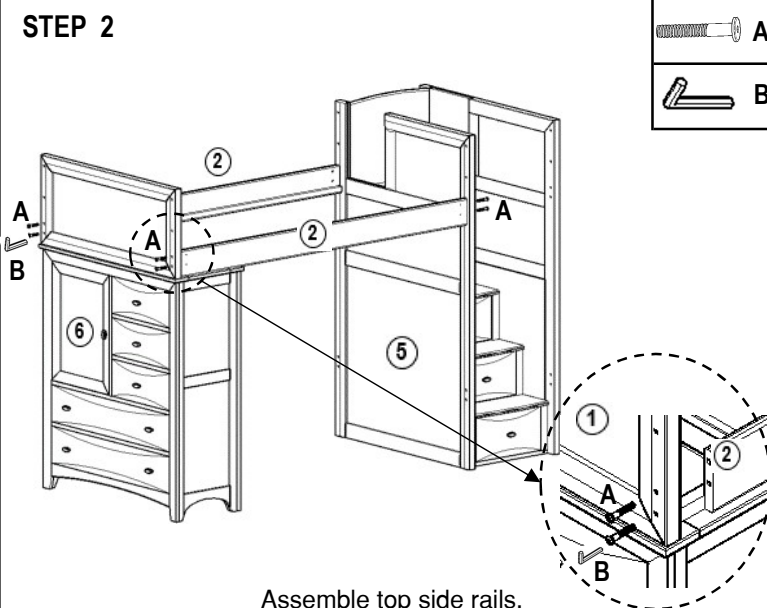
For stairs on the left, first remove the screws, then remove the panel and install it on the other side, and secure with the screws.

STEP 1



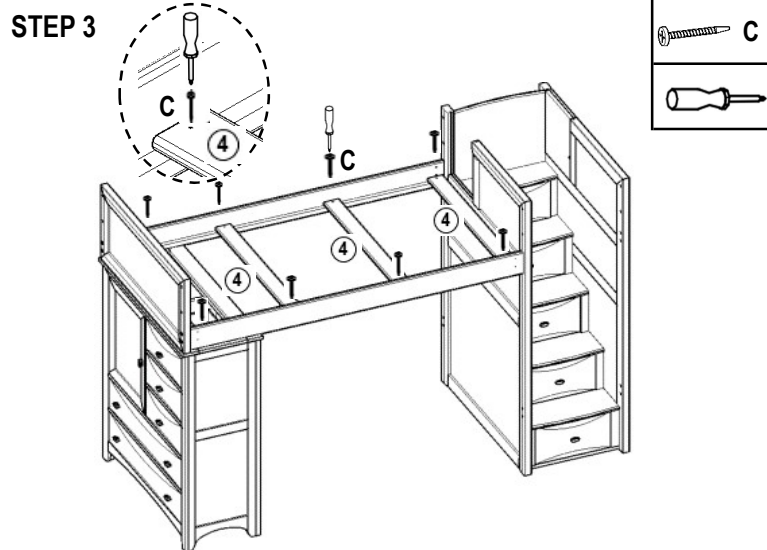
Assemble left chest and top bunk bed end.

STEP 2



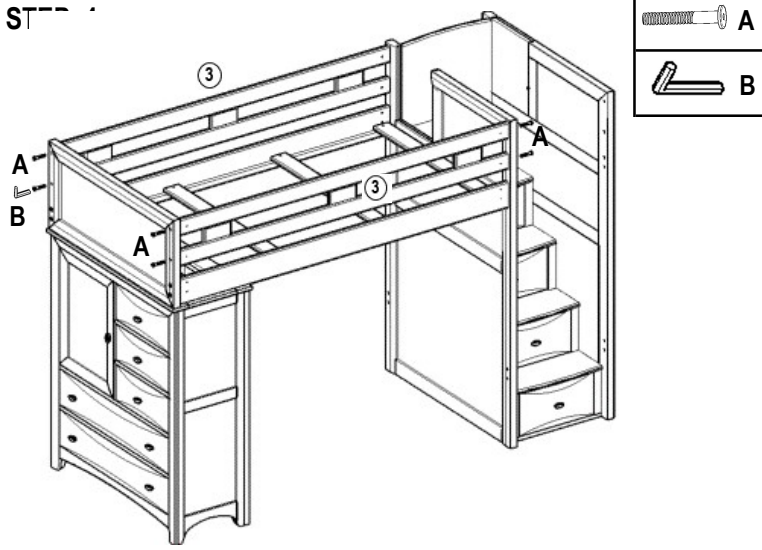
Assemble top side rails.

STEP 3

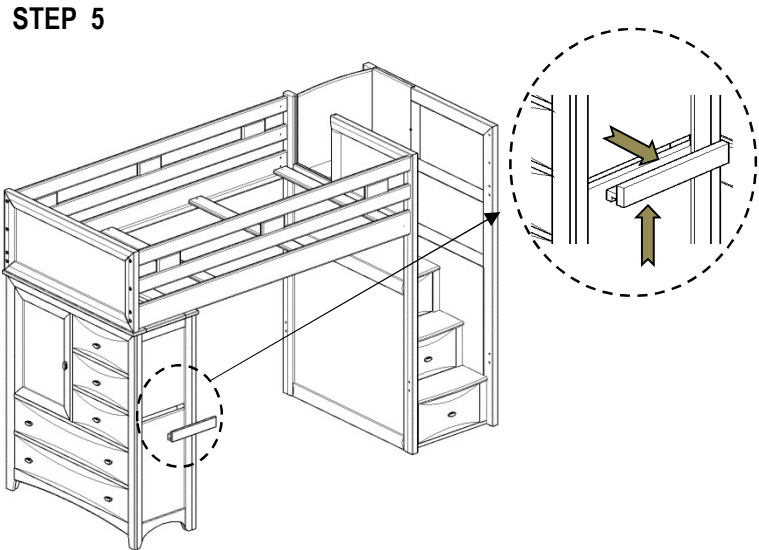


Install slats, one on each end, two equally spaced in the middle, then fasten with 1 1/4" screws.

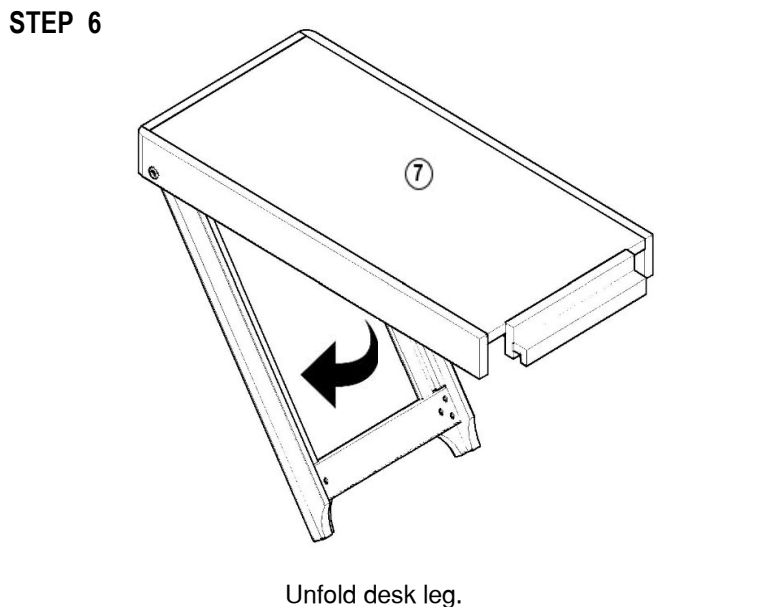
ASSEMBLY INSTRUCTIONS



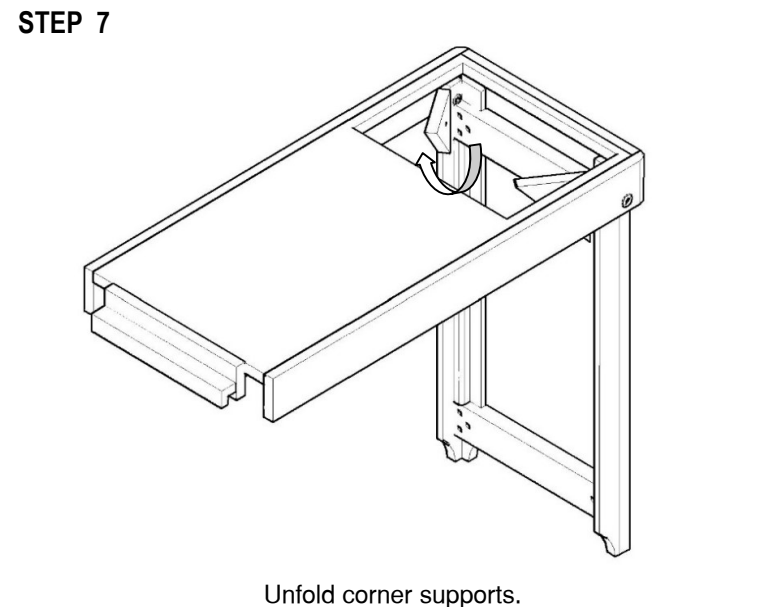
Assemble guardrails and tighten all bolts.
MAKE SURE ALL BOLTS ARE TIGHTENED COMPLETELY



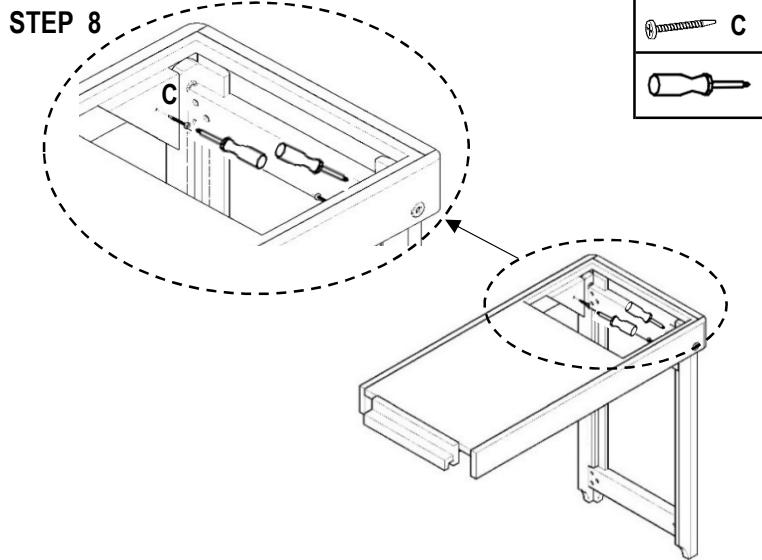
Remove center molding by lifting up then pulling out.



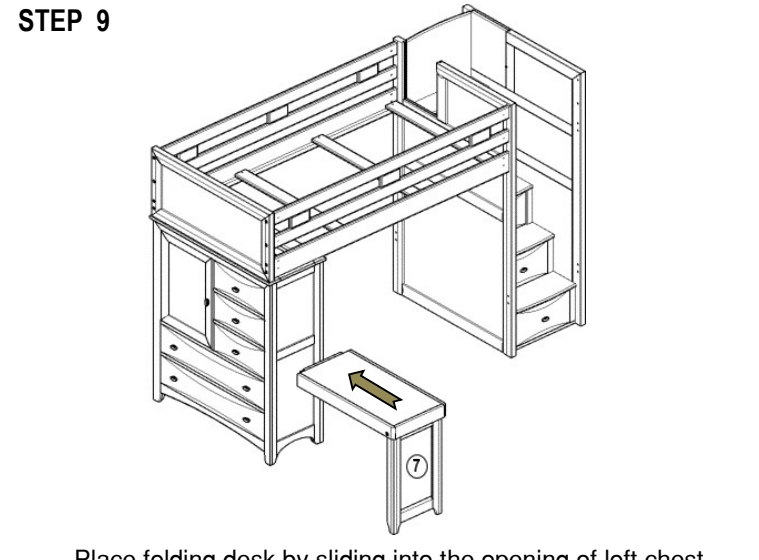
Unfold desk leg.



Unfold corner supports.



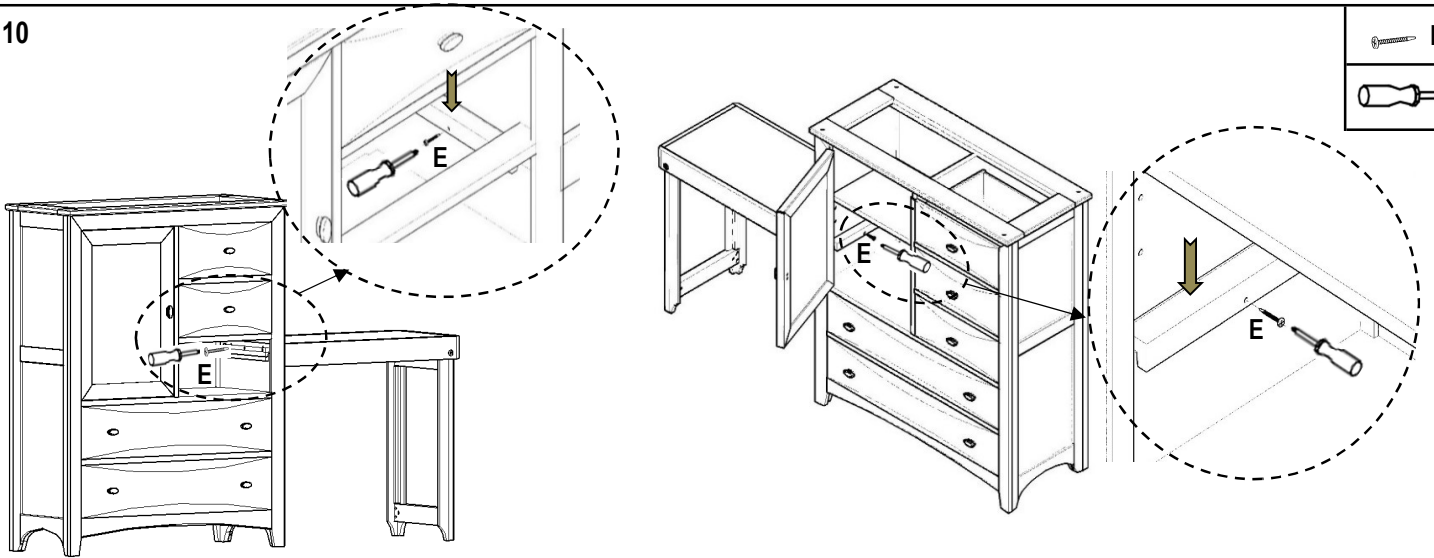
Secure each corner block with 1 1/4" screw in the pre-bore hole.



Place folding desk by sliding into the opening of left chest then push down.

ASSEMBLY INSTRUCTIONS

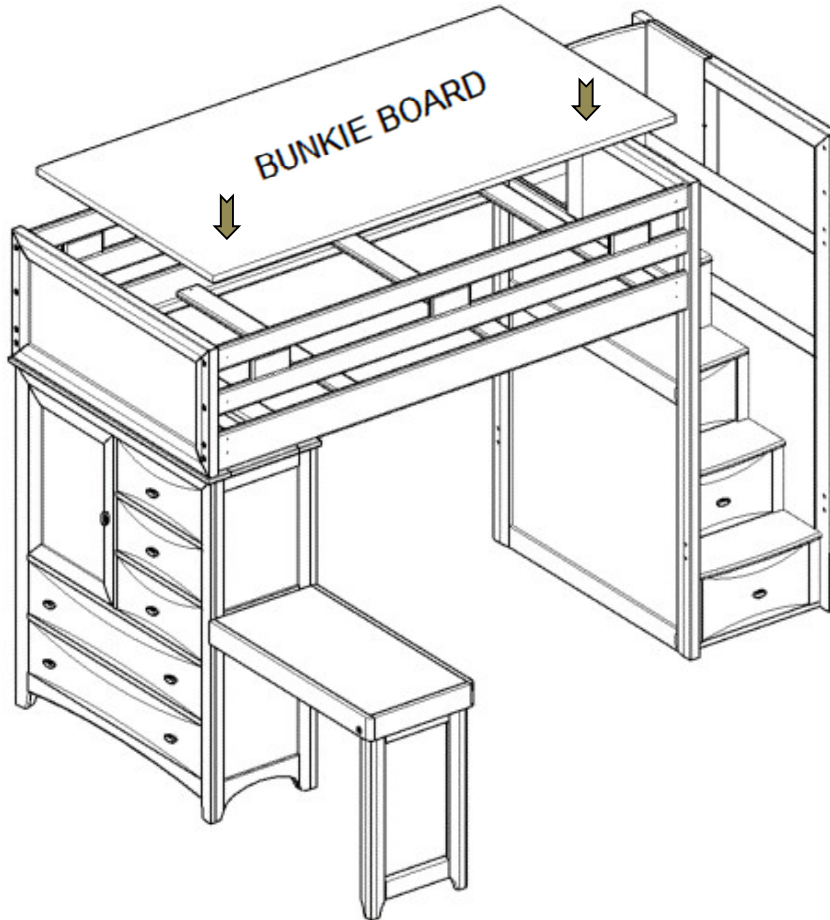
STEP 10



For **stairs on the right** remove third drawer, and secure desk with one 3/4" screw, then place back the drawer.

For **stairs on the left**, open the door and secure it with one 3/4" screw.

STEP 11



Place Bunkie boards (required, sold separately) on top of the slats

Use only correct mattress dimensions and Bunkie board:

Twin size mattress- 74" - 75" long and 37-1/2" - 38-1/2" wide

Twin size Bunkie board- 74" long and 37-1/2" wide

Full size mattress- 74" - 75" long and 52-1/2" - 53-1/2" wide

Full size Bunkie board- 74" long and 52-1/2" wide

PLEASE CONTACT YOUR RETAIL STORE WITH SERVICE OR PARTS REPLACEMENT REQUEST