

ROOMS TO GO

Assembly Instructions

GINA TRUNDLE YO11-T SKU 34731225
 GINA TRUNDLE YO12-T SKU 36131225
 GINA TRUNDLE YO13-T SKU 35431220
 GINA TRUNDLE YO21-T SKU 34731237
 GINA TRUNDLE YO22-T SKU 35431232

GINA TRUNDLE YO23-T SKU 36131237
 GINA TRUNDLE YO31-T SKU 34731249
 GINA TRUNDLE YO32-T SKU 35431244
 GINA TRUNDLE YO33-T SKU 36131249

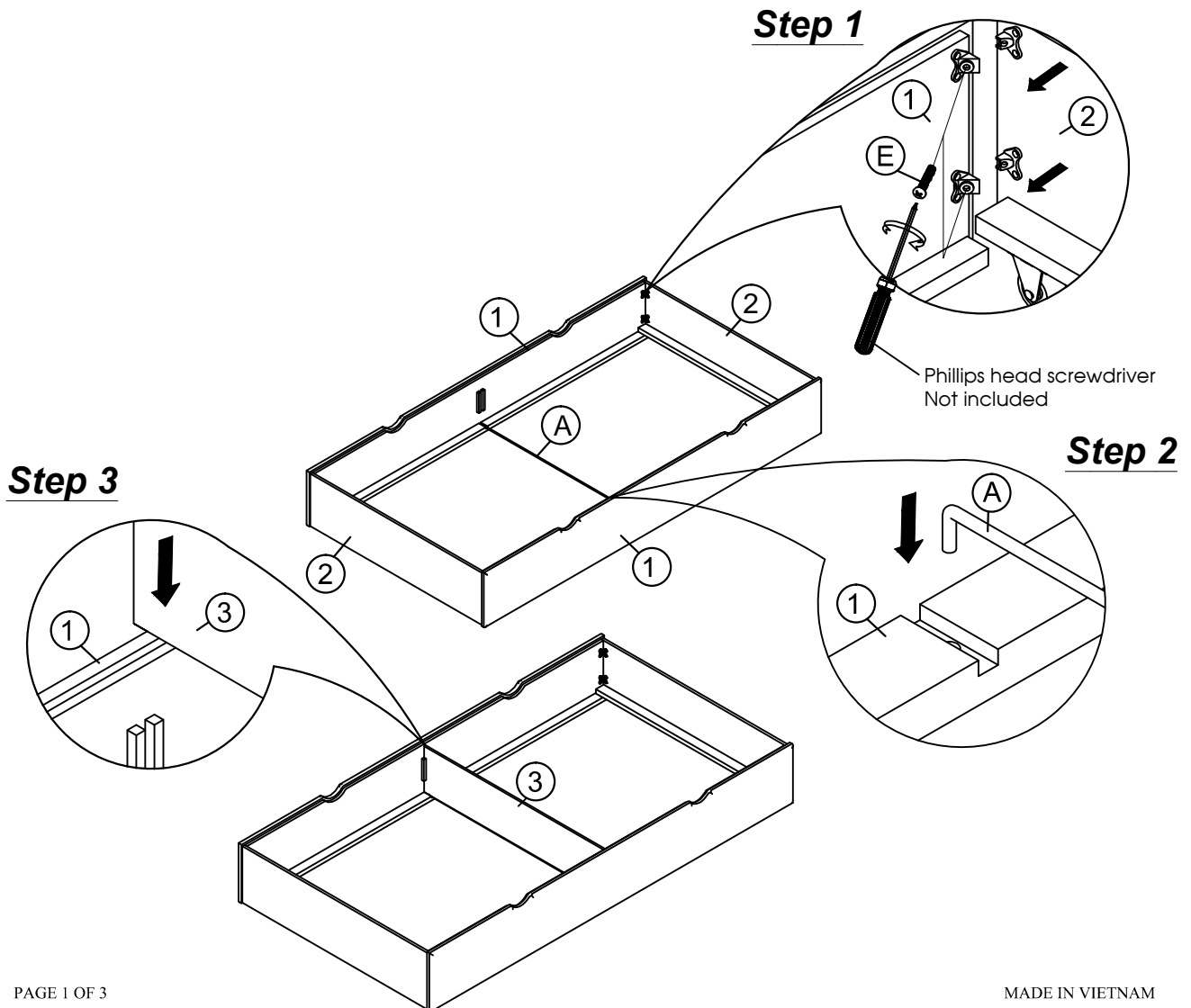
Thank you for purchasing this quality product. Be sure to check all packing material carefully for small parts, which may have come loose inside the carton during shipment. Identify and count all parts and compare with the HARDWARE LIST below.

Caution: Please read instructions thoroughly before unpacking assembly parts. Sharp, exposed staple tips can cause injury, therefore, for your protection, please remove any exposed staple used in packing.

1. We recommend that you should assemble this product with the assistance of another person; this will make assembly easier, and will help to eliminate damage to the product or injury to persons during assembly.
2. Please do not over tighten screws or bolts until the assembly is completed.

NO:	HARDWARE LISTS	QTY
A	Iron tie bars(497x20 x Ø5)	1
B	Left Plastic Plate (150x25x15)	1
C	Right Plastic Plate (150x25x15)	1
D	Screw(M4x12)	6
E	Bolt(5/32"x12)	8

NO:	PARTS LISTS	QTY
1	Drawer face	2
2	Drawer side	2
3	Panel	1
4	Bottom shelf (SET)	2



Assembly Instructions

GINA TRUNDLE YO11-T SKU 34731225
GINA TRUNDLE YO12-T SKU 36131225
GINA TRUNDLE YO13-T SKU 35431220
GINA TRUNDLE YO21-T SKU 34731237
GINA TRUNDLE YO22-T SKU 35431232

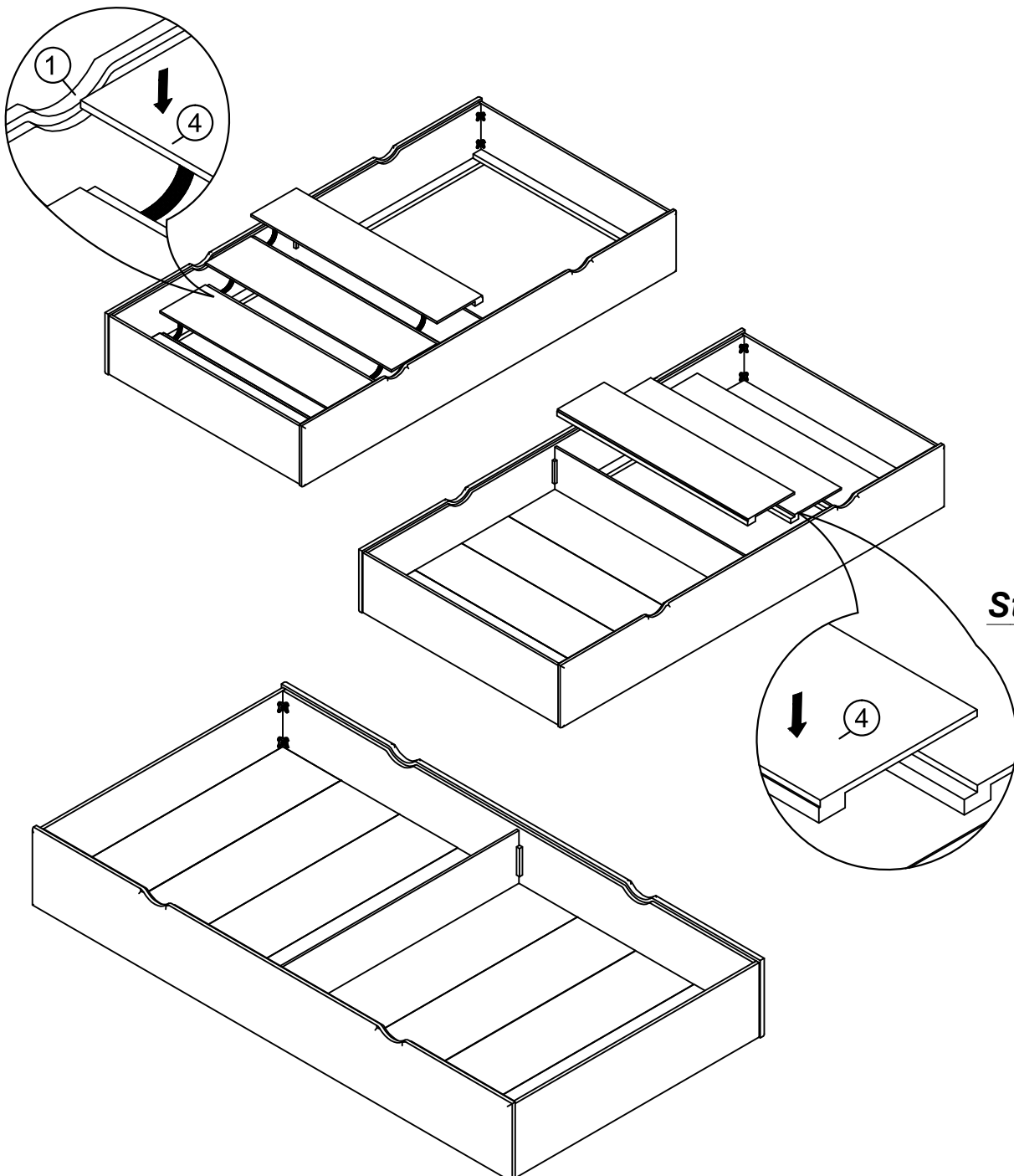
GINA TRUNDLE YO23-T SKU 36131237
GINA TRUNDLE YO31-T SKU 34731249
GINA TRUNDLE YO32-T SKU 35431244
GINA TRUNDLE YO33-T SKU 36131249

Thank you for purchasing this quality product. Be sure to check all packing material carefully for small parts, which may have come loose inside the carton during shipment. Identify and count all parts and compare with the HARDWARE LIST below.

Caution: Please read instructions thoroughly before unpacking assembly parts. Sharp, exposed staple tips can cause injury, therefore, for your protection, please remove any exposed staple used in packing.

1. We recommend that you should assemble this product with the assistance of another person; this will make assembly easier, and will help to eliminate damage to the product or injury to persons during assembly.
2. Please do not over tighten screws or bolts until the assembly is completed.

Step 4



Step 5

Assembly Instructions

GINA TRUNDLE YO11-T SKU 34731225
GINA TRUNDLE YO12-T SKU 36131225
GINA TRUNDLE YO13-T SKU 35431220
GINA TRUNDLE YO21-T SKU 34731237
GINA TRUNDLE YO22-T SKU 35431232

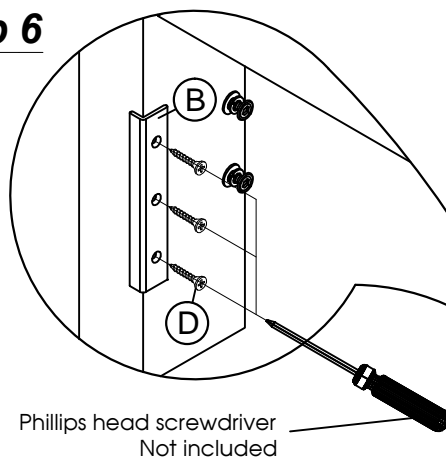
GINA TRUNDLE YO23-T SKU 36131237
GINA TRUNDLE YO31-T SKU 34731249
GINA TRUNDLE YO32-T SKU 35431244
GINA TRUNDLE YO33-T SKU 36131249

Thank you for purchasing this quality product. Be sure to check all packing material carefully for small parts, which may have come loose inside the carton during shipment. Identify and count all parts and compare with the HARDWARE LIST below.

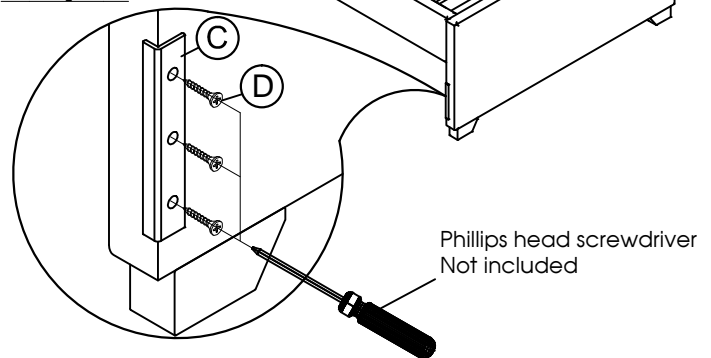
Caution: Please read instructions thoroughly before unpacking assembly parts. Sharp, exposed staple tips can cause injury, therefore, for your protection, please remove any exposed staple used in packing.

1. We recommend that you should assemble this product with the assistance of another person; this will make assembly easier, and will help to eliminate damage to the product or injury to persons during assembly.
2. Please do not over tighten screws or bolts until the assembly is completed.

Step 6



Step 7



Step 8

