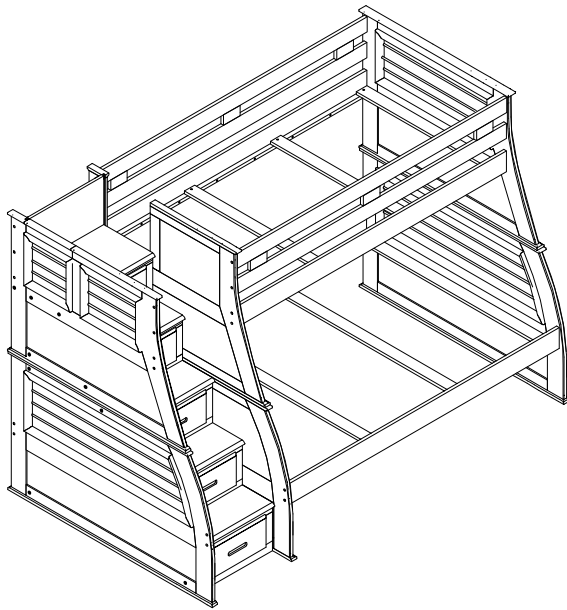
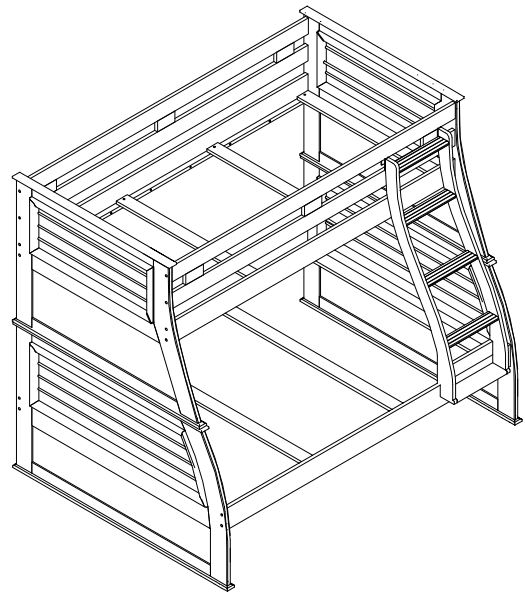


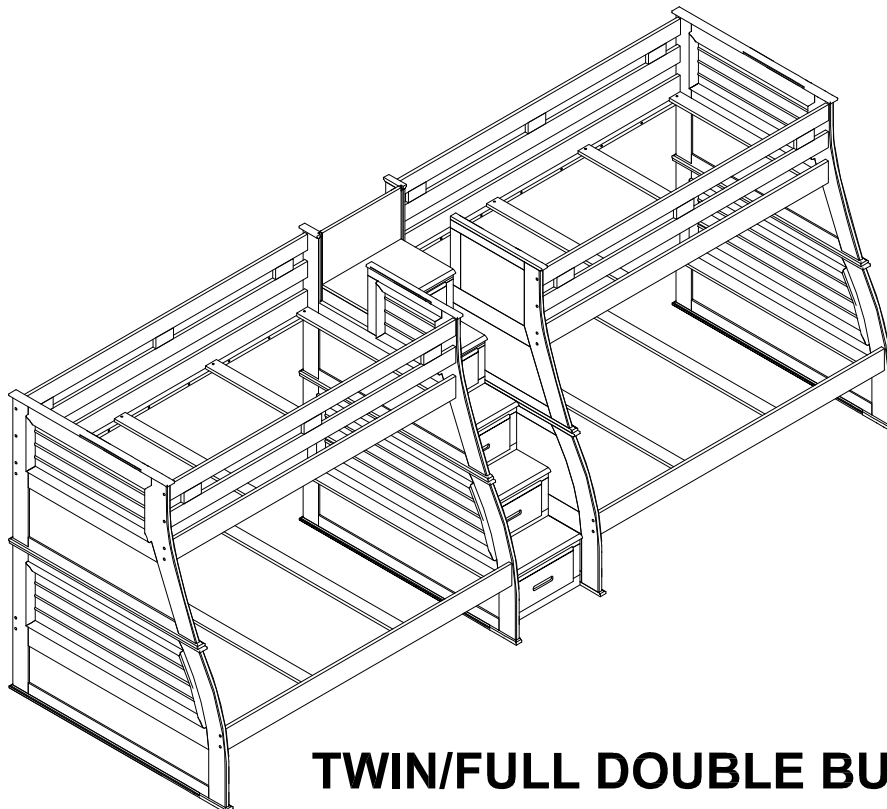
**HILTON HEAD
9017-9018-9019 TWIN/FULL BUNK BED & STEP BUNK BED**



STEP BUNK BED



REGULAR BUNK BED



TWIN/FULL DOUBLE BUNK BED

DO NOT USE SUBSTITUTE PARTS. PLEASE CONTACT YOUR RETAIL STORE OR WWW.ROOMSTOGO.COM WITH SERVICE OR PARTS REPLACEMENT REQUEST

This product is manufactured by SULT for ROOMS TO GO | KIDS™

PACKAGE: 3614092P GRAY TWIN/FULL BUNK BED			PACKAGE: 3624092P GRAY TWIN/FULL STEP BUNK BED		
RTG SKU	STYLE#	ITEM DESCRIPTION	RTG SKU	STYLE#	ITEM DESCRIPTION
36040943	9017-1	TWIN & FULL BUNK ENDS,	36040943	9017-1	TWIN & FULL BUNK ENDS,
36040943	9017-1	TWIN & FULL BUNK ENDS,	36240947	9017-6	STEP END PANELS,
36140945	9017-2	4 SIDE RAILS & 2 GUARD RAILS,	36340949	9017-7	STEP UNIT TOP,BOTTOM, & BACK FENCE
36540929	901WS	TWIN & FULL SLATS,	36140945	9017-2	4 SIDE RAILS & 2 GUARD RAILS,
36440941	9017-3	LADDER	36540929	901WS	TWIN & FULL SLATS

PACKAGE: 3654092P GRAY TWIN/FULL DOUBLE BUNK BED		
RTG SKU	STYLE#	ITEM DESCRIPTION
36040943	9017-1	TWIN & FULL BUNK ENDS,
36040943	9017-1	TWIN & FULL BUNK ENDS,
36240947	9017-6	STEP END PANELS,
36340949	9017-7	STEP UNIT TOP,BOTTOM, & BACK FENCE
36140945	9017-2	4 SIDE RAILS & 2 GUARD RAILS,
36140945	9017-2	4 SIDE RAILS & 2 GUARD RAILS,
36540929	901WS	TWIN & FULL SLATS,
36540929	901WS	TWIN & FULL SLATS

PACKAGE: 3654096P GRAPHITE TWIN/FULL BUNK BED			PACKAGE: 3664096P GRAPHITE TWIN/FULL STEP BUNK BED		
RTG SKU	STYLE#	ITEM DESCRIPTION	RTG SKU	STYLE#	ITEM DESCRIPTION
36040967	9018-1	TWIN & FULL BUNK ENDS,	36040967	9018-1	TWIN & FULL BUNK ENDS,
36040967	9018-1	TWIN & FULL BUNK ENDS,	36240961	9018-6	STEP END PANELS,
36140969	9018-2	4 SIDE RAILS & 2 GUARD RAILS,	36340963	9018-7	STEP UNIT TOP,BOTTOM, & BACK FENCE
36540929	901WS	TWIN & FULL SLATS,	36140969	9018-2	4 SIDE RAILS & 2 GUARD RAILS,
36440965	9018-3	LADDER	36540929	901WS	TWIN & FULL SLATS

PACKAGE: 3774096P GRAPHITE TWIN/FULL DOUBLE BUNK BED		
RTG SKU	STYLE#	ITEM DESCRIPTION
36040967	9018-1	TWIN & FULL BUNK ENDS,
36040967	9018-1	TWIN & FULL BUNK ENDS,
36240961	9018-6	STEP END PANELS,
36340963	9018-7	STEP UNIT TOP,BOTTOM, & BACK FENCE
36140969	9018-2	4 SIDE RAILS & 2 GUARD RAILS,
36140969	9018-2	4 SIDE RAILS & 2 GUARD RAILS,
36540929	901WS	TWIN & FULL SLATS,
36540929	901WS	TWIN & FULL SLATS

PACKAGE: 3604094P WHITE TWIN/FULL BUNK BED			PACKAGE: 3614094P WHITE TWIN/FULL STEP BUNK BED		
RTG SKU	STYLE#	ITEM DESCRIPTION	RTG SKU	STYLE#	ITEM DESCRIPTION
36040929	9019-1	TWIN & FULL BUNK ENDS,	36040929	9019-1	TWIN & FULL BUNK ENDS,
36040929	9019-1	TWIN & FULL BUNK ENDS,	36240923	9019-6	STEP END PANELS,
36140921	9019-2	4 SIDE RAILS & 2 GUARD RAILS,	36340925	9019-7	STEP UNIT TOP,BOTTOM, & BACK FENCE
36540929	901WS	TWIN & FULL SLATS,	36140921	9019-2	4 SIDE RAILS & 2 GUARD RAILS,
36440927	9019-3	LADDER	36540929	901WS	TWIN & FULL SLATS

PACKAGE: 3654094P WHITE TWIN/FULL DOUBLE BUNK BED		
RTG SKU	STYLE#	ITEM DESCRIPTION
36040929	9019-1	TWIN & FULL BUNK ENDS,
36040929	9019-1	TWIN & FULL BUNK ENDS,
36240923	9019-6	STEP END PANELS,
36340925	9019-7	STEP UNIT TOP,BOTTOM, & BACK FENCE
36140921	9019-2	4 SIDE RAILS & 2 GUARD RAILS,
36140921	9019-2	4 SIDE RAILS & 2 GUARD RAILS,
36540929	901WS	TWIN & FULL SLATS,
36540929	901WS	TWIN & FULL SLATS

DO NOT USE SUBSTITUTE PARTS. PLEASE CONTACT YOUR RETAIL STORE OR WWW.ROOMSTOGO.COM WITH SERVICE OR PARTS REPLACEMENT REQUEST

This product is manufactured by SULT for ROOMS TO GO | KIDS™

MATTRESS AND BUNKIE BOARD CHART

PACKAGE	DESCRIPTION	TOP BED	BOTTOM BED
3614092P	TWIN/FULL BUNK BED	TWIN MATTRESS TWIN BUNKIE BOARD REQUIRED	FULL MATTRESS FULL BUNKIE BOARD REQUIRED
3654096P	TWIN/FULL BUNK BED	TWIN MATTRESS TWIN BUNKIE BOARD REQUIRED	FULL MATTRESS FULL BUNKIE BOARD REQUIRED
3604094P	TWIN/FULL BUNK BED	TWIN MATTRESS TWIN BUNKIE BOARD REQUIRED	FULL MATTRESS FULL BUNKIE BOARD REQUIRED
3624092P	TWIN/FULL STEP BUNK BED	TWIN MATTRESS TWIN BUNKIE BOARD REQUIRED	FULL MATTRESS FULL BUNKIE BOARD REQUIRED
3664096P	TWIN/FULL STEP BUNK BED	TWIN MATTRESS TWIN BUNKIE BOARD REQUIRED	FULL MATTRESS FULL BUNKIE BOARD REQUIRED
3614094P	TWIN/FULL STEP BUNK BED	TWIN MATTRESS TWIN BUNKIE BOARD REQUIRED	FULL MATTRESS FULL BUNKIE BOARD REQUIRED
3654092P	TWIN/FULL DOUBLE BUNK BED	TWIN MATTRESS TWIN BUNKIE BOARD REQUIRED	FULL MATTRESS FULL BUNKIE BOARD REQUIRED
3774096P	TWIN/FULL DOUBLE BUNK BED	TWIN MATTRESS TWIN BUNKIE BOARD REQUIRED	FULL MATTRESS FULL BUNKIE BOARD REQUIRED
3654094P	TWIN/FULL DOUBLE BUNK BED	TWIN MATTRESS TWIN BUNKIE BOARD REQUIRED	FULL MATTRESS FULL BUNKIE BOARD REQUIRED

Use only correct mattress dimensions and Bunkie board:

Twin size mattress- 74" – 75" long and 37.5"-38.5" wide

Twin size Bunkie board- 74" long and 37.5" wide

Full size mattress- 74" – 75" long and 52.5"-53.5" wide

Full size Bunkie board- 74" long and 52.5" wide

DO NOT USE SUBSTITUTE PARTS. PLEASE CONTACT YOUR RETAIL STORE OR WWW.ROOMSTOGO.COM WITH SERVICE OR PARTS REPLACEMENT REQUEST

This product is manufactured by SULT for **ROOMS TO GO** | **KIDS™**



WARNING DANGER:

Failure to follow these warnings and assembly instructions could result in serious injury or death. To help prevent serious or fatal injuries from entrapment or falls:

- Read all instructions before assembling bunk bed and keep these instructions for future reference.
- Before each usage or assembly, inspect bunk bed for damaged hardware, loose joints, missing parts, or sharp edges. DO NOT use bunk bed if any parts are missing or broken.
- DO NOT use substitute parts. Contact your local Rooms To Go or visit www.ROOMSTOGO.com for replacement parts and instructional literature if needed.
- Follow the information on the warnings appearing on the upper bunk end structure and on the carton. DO NOT REMOVE WARNING LABEL FROM BED.
- Always use the recommended size mattresses or mattress supports, or both, to help prevent the likelihood of entrapment or falls.
- Ensure thickness of mattress and foundation combined does not exceed 10" and mattress surface is at least 5 inches (127mm) below upper edge of guardrails.
- Do not allow children under 6 years of age to use the upper bunk.
- Periodically check and ensure that the guardrail, ladder, and other components are in their proper position, free from damage, and that all connectors are tight.
- Do not allow horseplay on or under the bed and prohibit jumping on the bed.
- Limit top bunk use to one person.
- Always use the ladder for entering and leaving the upper bunk.
- Use of a night light may provide added safety precaution for a child using the upper bunk.
- Always use guardrails on both long sides of the upper bunk. If the bunk bed will be placed next to the wall, the guardrail that runs the full length of the bed should be placed against the wall to prevent entrapment between the bed and wall.
- The use of water or sleep flotation mattresses is prohibited.
- This bunk bed meets or exceeds the requirements of ASTM F1427-21e1



STRANGULATION HAZARD:

Never attach or hang items to any part of the bunk bed that are not designed for use with the bed; for example, but not limited to, hooks, belts and jump ropes.

DO NOT USE SUBSTITUTE PARTS. PLEASE CONTACT YOUR RETAIL STORE OR WWW.ROOMSTOGO.COM WITH SERVICE OR PARTS REPLACEMENT REQUEST

This product is manufactured by SULT for ROOMS TO GO | KIDS™

PRE ASSEMBLY

Warning:

The bed slats included with this bed will not support a mattress alone, this bed requires Bunkie boards (sold separately).

Read all the instructions, identify all components, choose your configuration, and be sure you have all parts prior to assembly.

Two people are needed to assemble.

Tools Needed

Phillips heads screwdriver (not included)

4mm allen wrench (included)

MAKE SURE ALL BOLTS ARE TIGHTENED COMPLETELY

CARE INSTRUCTIONS:

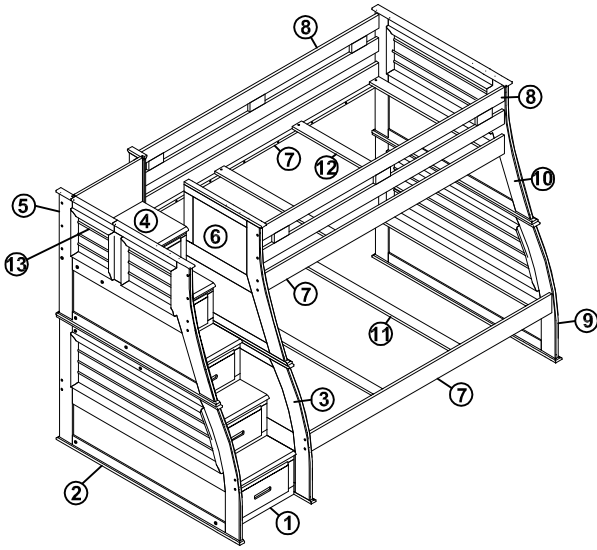
Dust with a clean, soft cloth. Avoid the use of all abrasive cleaners.

PLEASE CONTACT YOUR RETAIL STORE WITH SERVICE OR PARTS REPLACEMENT REQUEST

DO NOT USE SUBSTITUTE PARTS. PLEASE CONTACT YOUR RETAIL STORE OR WWW.ROOMSTOGO.COM WITH SERVICE OR PARTS REPLACEMENT REQUEST

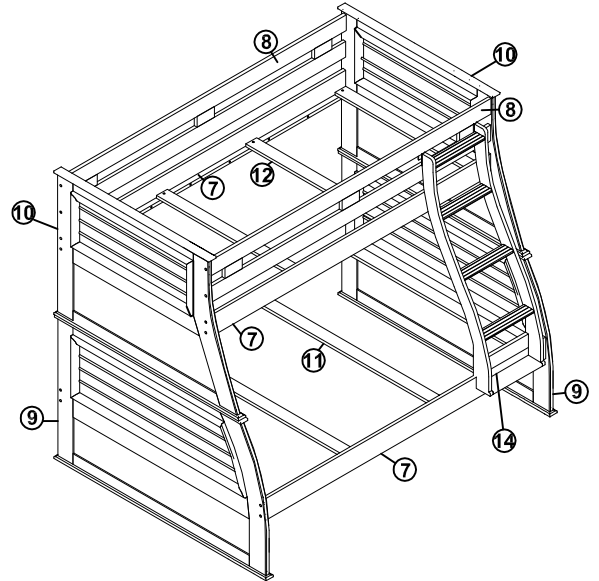
This product is manufactured by SULT for **ROOMS TO GO** | **KIDS™**

PARTS LIST



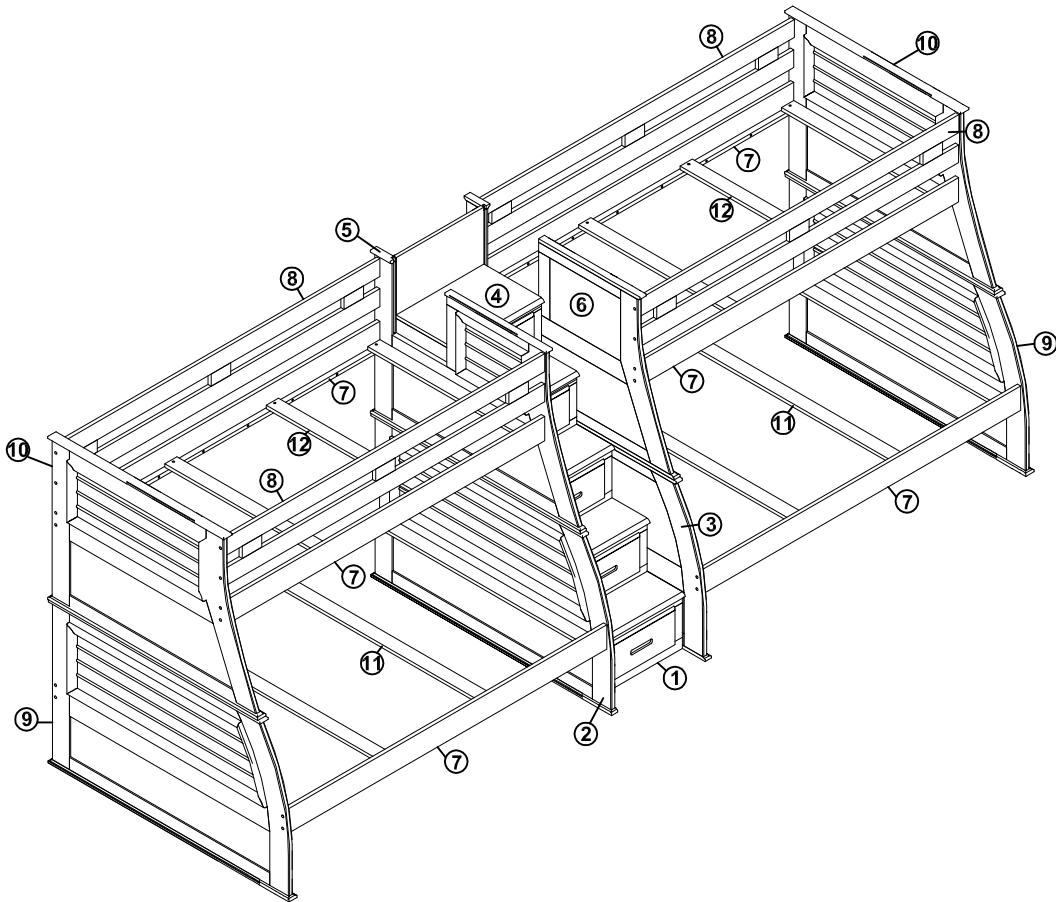
STEP BUNK BED

Please reference Page 10~13 for assembly steps



REGULAR BUNK BED

Please reference Page 17~18 for assembly steps

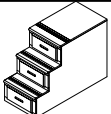
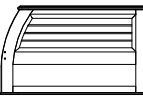
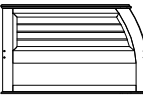
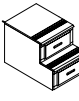
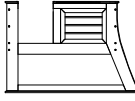
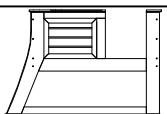
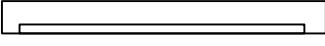
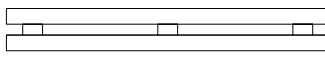


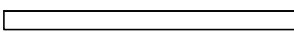
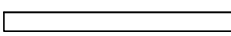
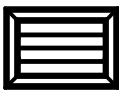



DOUBLE BUNK BED

Please reference Page 14~16 for assembly steps

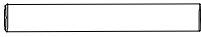
DO NOT USE SUBSTITUTE PARTS. PLEASE CONTACT YOUR RETAIL STORE OR WWW.ROOMSTOGO.COM WITH SERVICE OR PARTS REPLACEMENT REQUEST

PARTS LIST


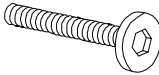
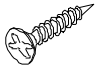
NO.	DESCRIPTION	PARTS PHOTO	QTY FOR BUNK BED	QTY FOR STEP BUNK BED
①	STEP BOTTOM		X	1 PC
②	STEP END PANELS (LOWER) L		X	1 PC
③	STEP END PANELS (LOWER) R		X	1 PC
④	STEP TOP&BACK FENCE		X	1 PC
⑤	STEP END PANELS (UPPER) L		X	1 PC
⑥	STEP END PANELS (UPPER) R		X	1 PC
⑦	SIDE RAILS		4 PCS	4 PCS
⑧	GUARDRAILS		2 PCS	2 PCS
⑨	FULL BED END		2 PCS	1 PC
⑩	TWIN BED END		2 PCS	1 PC
⑪	FULL SLATS		4 PCS	4 PCS
⑫	TWIN SLATS		4 PCS	4 PCS
⑬	SLIDE UP PANEL		X	1 PC
⑭	LADDER		1 PC	X

DO NOT USE SUBSTITUTE PARTS. PLEASE CONTACT YOUR RETAIL STORE OR WWW.ROOMSTOGO.COM WITH SERVICE OR PARTS REPLACEMENT REQUEST


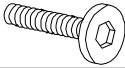

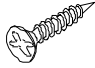
HARDWARE LIST

BUNK BED STEP NO.	STEP BUNK BED STEP NO.	PART NO.	PART	DESCRIPTION	SIZE	QTY
3	10	C		Pin	Ø10 x 3 15/16"	2 PCS

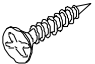
HARDWARE PACK LOCATION : TWIN & FULL BUNK ENDS
9017/9018/9019-1 SKU: 36040943/36040967/36040929

BUNK BED STEP NO.	STEP BUNK BED STEP NO.	PART NO.	PART	DESCRIPTION	SIZE	QTY
		J		Allen Key	M4	1 PC
1 & 4	8 & 11	A		Bolt	1/4" x 20 x 2 3/8" x Ø17	24 PCS
2 & 5	9 & 12	D		Screw	5/32" x 1 3/8"	16 PCS

HARDWARE PACK LOCATION : 4 SIDE RAILS & 2 GUARD RAILS
9017/9018/9019-2 SKU: 36140945/36140969/36140921

BUNK BED STEP NO.	STEP BUNK BED STEP NO.	PART NO.	PART	DESCRIPTION	SIZE	QTY
		J		Allen Key	M4	1 PC
X	1~4, 7	B		Bolt	1/4" x 20 x 1 1/2" x Ø17	18 PCS
X	6	C		Pin	Ø10 x 3 15/16"	4 PCS
X	5	E		Screw	5/32" x 5/8"	2 PCS

HARDWARE PACK LOCATION : STEP END PANELS
9017/9018/9019-6 SKU: 36240947/36240961/36240923

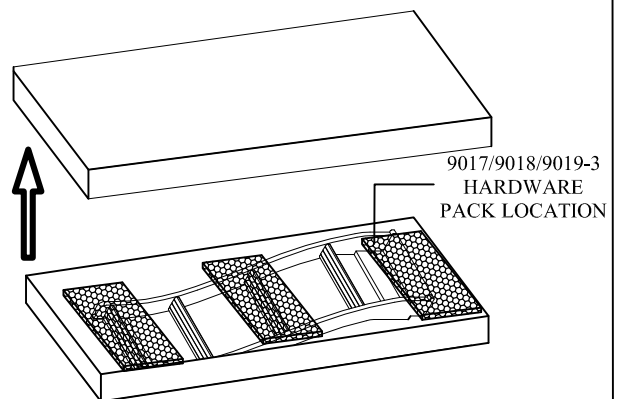
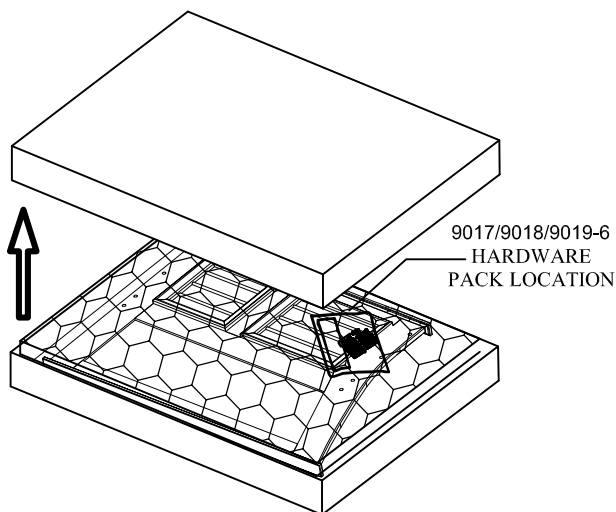
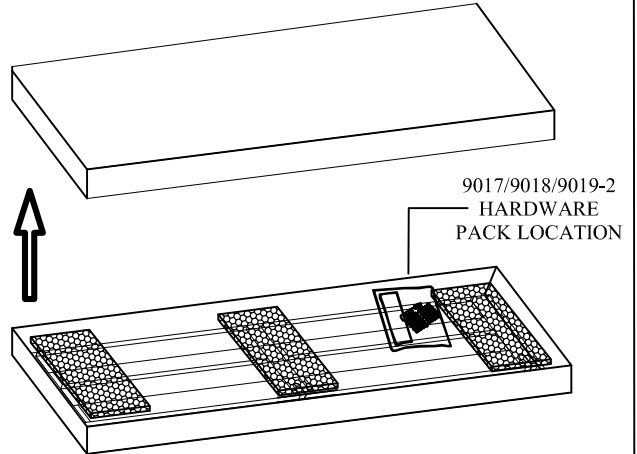
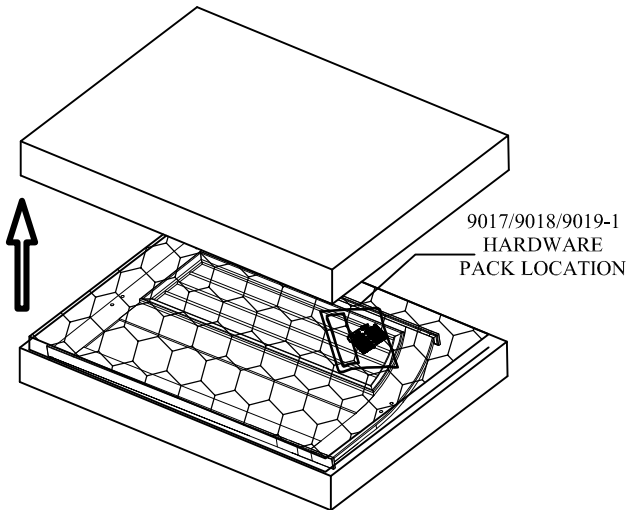
BUNK BED STEP NO.	STEP BUNK BED STEP NO.	PART NO.	PART	DESCRIPTION	SIZE	QTY
6	X	F		Screw	5/32" x 5/8"	4 PCS

HARDWARE PACK LOCATION : LADDER
9017/9018/9019-3 SKU: 36440941/36440965/36440927

DO NOT USE SUBSTITUTE PARTS. PLEASE CONTACT YOUR RETAIL STORE OR WWW.ROOMSTOGO.COM WITH SERVICE OR PARTS REPLACEMENT REQUEST

Hardware Pack Locations:

RTG SKU	Style#	Description
36040943/36040967/36040929	9017/9018/9019-1	TWIN & FULL BUNK ENDS
36140945/36140969/36140921	9017/9018/9019-2	4 SIDE RAILS & 2 GUARD RAILS
36240947/36240961/36240923	9017/9018/9019-6	STEP END PANELS
36440941/36440965/36440927	9017/9018/9019-3	LADDER



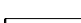



DO NOT USE SUBSTITUTE PARTS. PLEASE CONTACT YOUR RETAIL STORE OR WWW.ROOMSTOGO.COM WITH SERVICE OR PARTS REPLACEMENT REQUEST

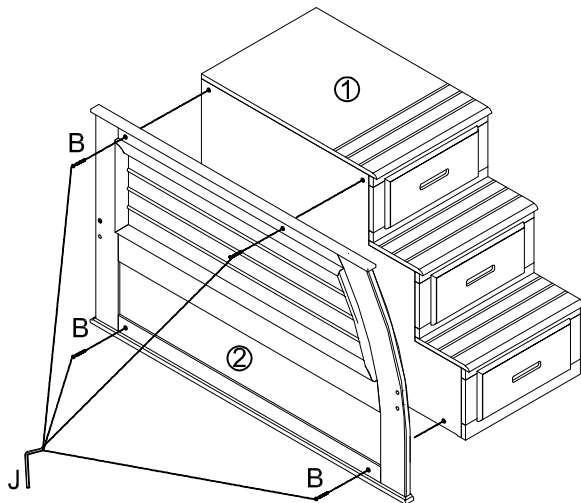
Thank you for purchasing this quality product. Be sure to check all packing material carefully for small parts which may have come loose inside the carton during shipment. Identify and count all parts and compare with the parts list. Read all instructions before assembling furniture and keep these instructions for future reference.

ASSEMBLY INSTRUCTION

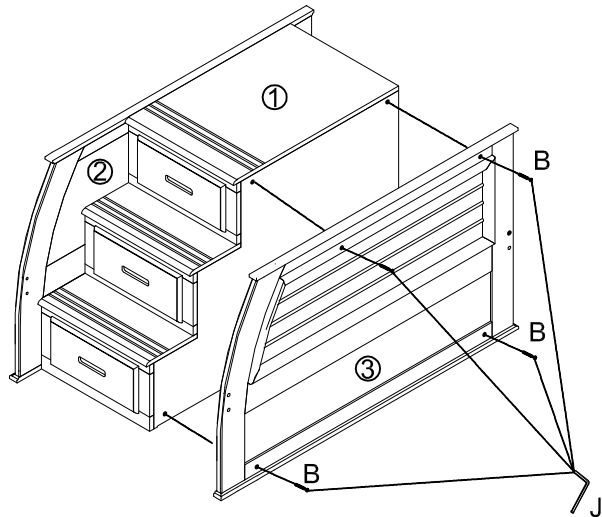
SKU#36240947 GRAY & 36240961 GRAPHITE & 36240923 WHITE STEP END PANELS - HARDWARE LIST

PART NO.	PART	DESCRIPTION	QTY
J		Allen Key M4	1 PC
B		Bolt 1/4" x 20 x 1 1/2" x Ø17	18 PCS
C		Pin Ø10 x 3 15/16"	4 PCS
E		Screw 5/32" x 5/8"	2 PCS

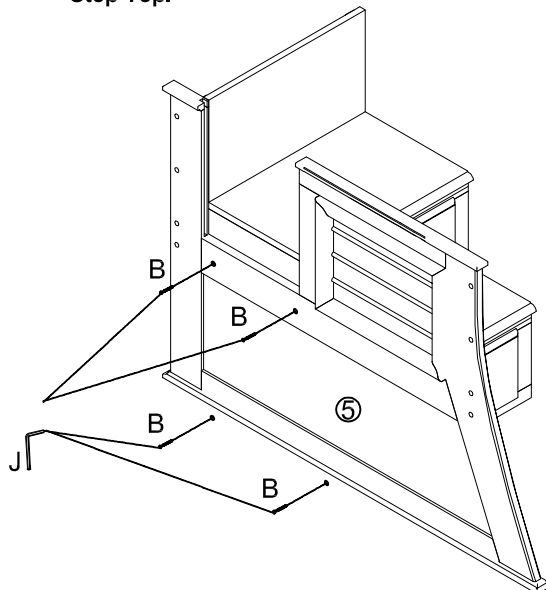
Step 1 Assemble Step End Panel (Lower) L to Step Bottom.



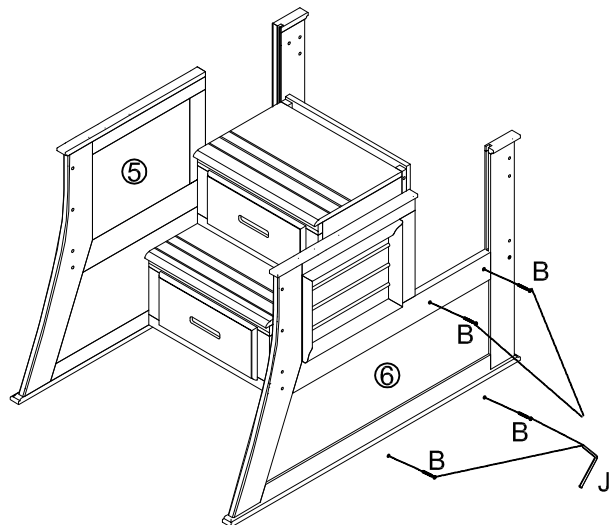
Step 2 Assemble Step End Panel (Lower) R to Step Bottom.



Step 3 Assemble Step End Panel (Upper) L to Step Top.



Step 4 Assemble Step End Panel (Upper) R to Step Top.



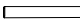



DO NOT USE SUBSTITUTE PARTS. PLEASE CONTACT YOUR RETAIL STORE OR WWW.ROOMSTOGO.COM WITH SERVICE OR PARTS REPLACEMENT REQUEST

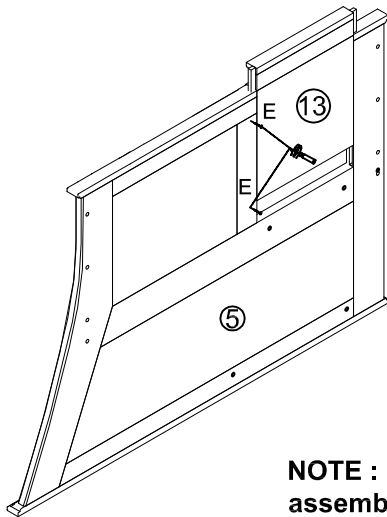
Thank you for purchasing this quality product. Be sure to check all packing material carefully for small parts which may have come loose inside the carton during shipment. Identify and count all parts and compare with the parts list. Read all instructions before assembling furniture and keep these instructions for future reference.

ASSEMBLY INSTRUCTION

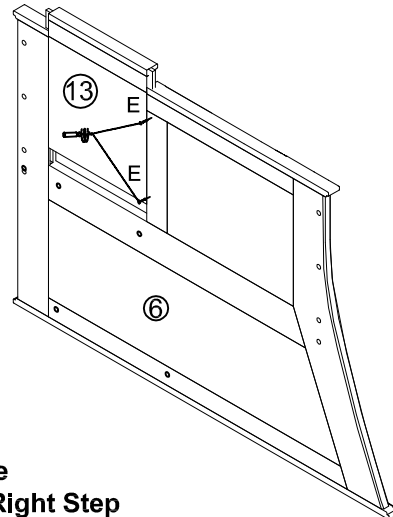
SKU#36240947 GRAY & 36240961 GRAPHITE & 36240923 WHITE STEP END PANELS - HARDWARE LIST

PART NO.	PART	DESCRIPTION	QTY
J		Allen Key M4	1 PC
B		Bolt 1/4" x 20 x 1 1/2" x Ø17	18 PCS
C		Pin Ø10 x 3 15/16"	4 PCS
E		Screw 5/32" x 5/8"	2 PCS

Step 5 Assemble Slide Up Panel to Step End Panel (Upper).

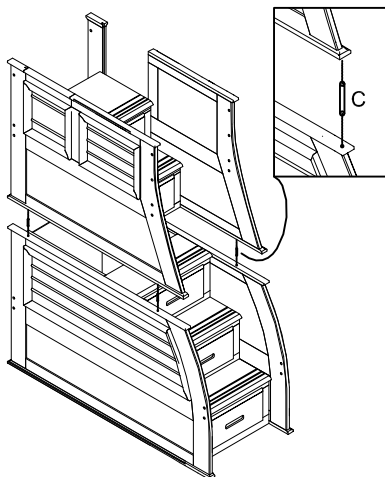


OR

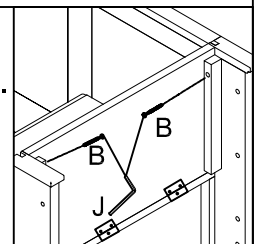
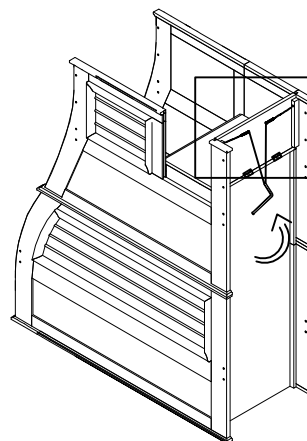


NOTE : Slide up panel can be assembled in either Left or Right Step End Panel (Upper)

Step 6 Set up Step Top Unit to Step Bottom Unit. Use metal pins as shown.



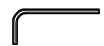
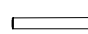


Step 7 Swing up and assemble Back Fence to Step End Panels (Upper).



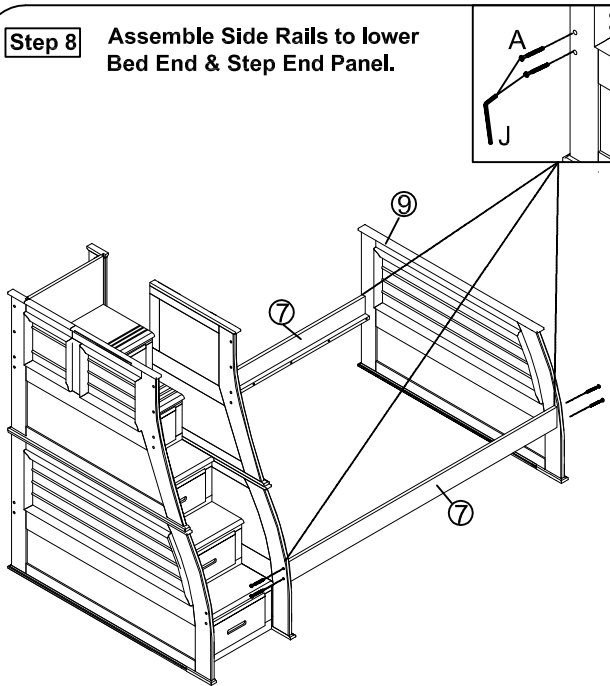
DO NOT USE SUBSTITUTE PARTS. PLEASE CONTACT YOUR RETAIL STORE OR WWW.ROOMSTOGO.COM WITH SERVICE OR PARTS REPLACEMENT REQUEST

Thank you for purchasing this quality product. Be sure to check all packing material carefully for small parts which may have come loose inside the carton during shipment. Identify and count all parts and compare with the parts list. Read all instructions before assembling furniture and keep these instructions for future reference.

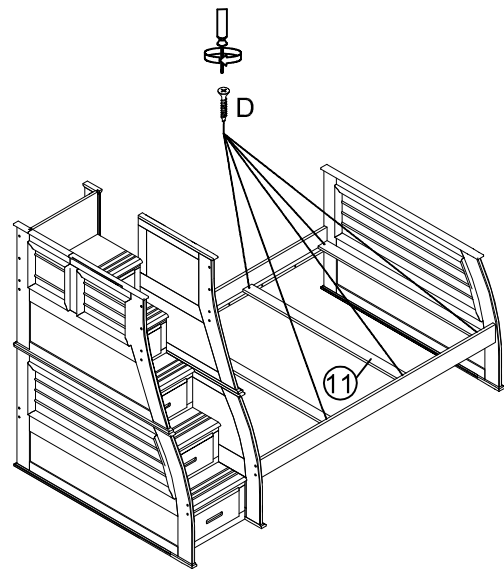
ASSEMBLY INSTRUCTION

SKU#36140945 GRAY & 36140969 GRAPHITE & 36140921 WHITE 4 SIDE RAILS & 2 GUARD RAILS - HARDWARE LIST				SKU#36040943 GRAY & 36040967 GRAPHITE & 36040929 WHITE TWIN & FULL BUNK ENDS - HARDWARE LIST			
PART NO.	PART	DESCRIPTION	QTY	PART NO.	PART	DESCRIPTION	QTY
J		Allen Key M4	1 PC	C		Pin Ø10 x 3 15/16"	2 PCS
A		Bolt 1/4" x 20 x 2 3/8" x Ø17	24 PCS				
D		Screw 5/32" x 1 3/8"	16 PCS				

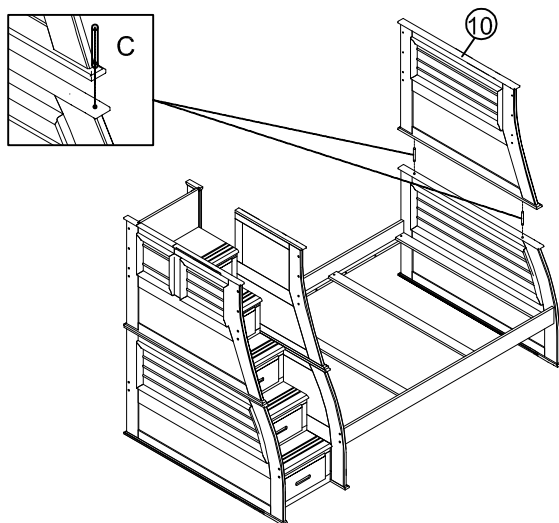
Step 8 Assemble Side Rails to lower Bed End & Step End Panel.



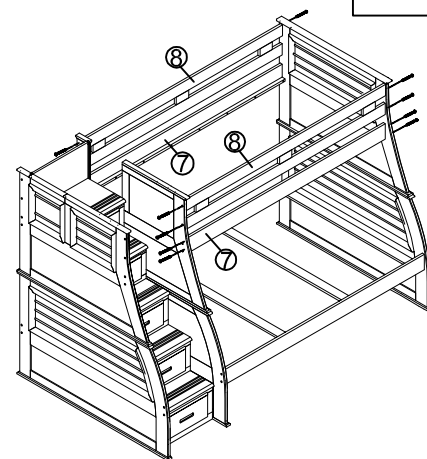
Step 9 Place Slats on Side Rails cleats. Use Screws as shown, tighten with Screwdriver.



Step 10 Set up Upper Bed End to Lower Bed End. Use metal pins as shown.




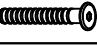

Step 11 Assemble Side Rails & Guard Rails to Upper Bed End & Upper Step End Panel.



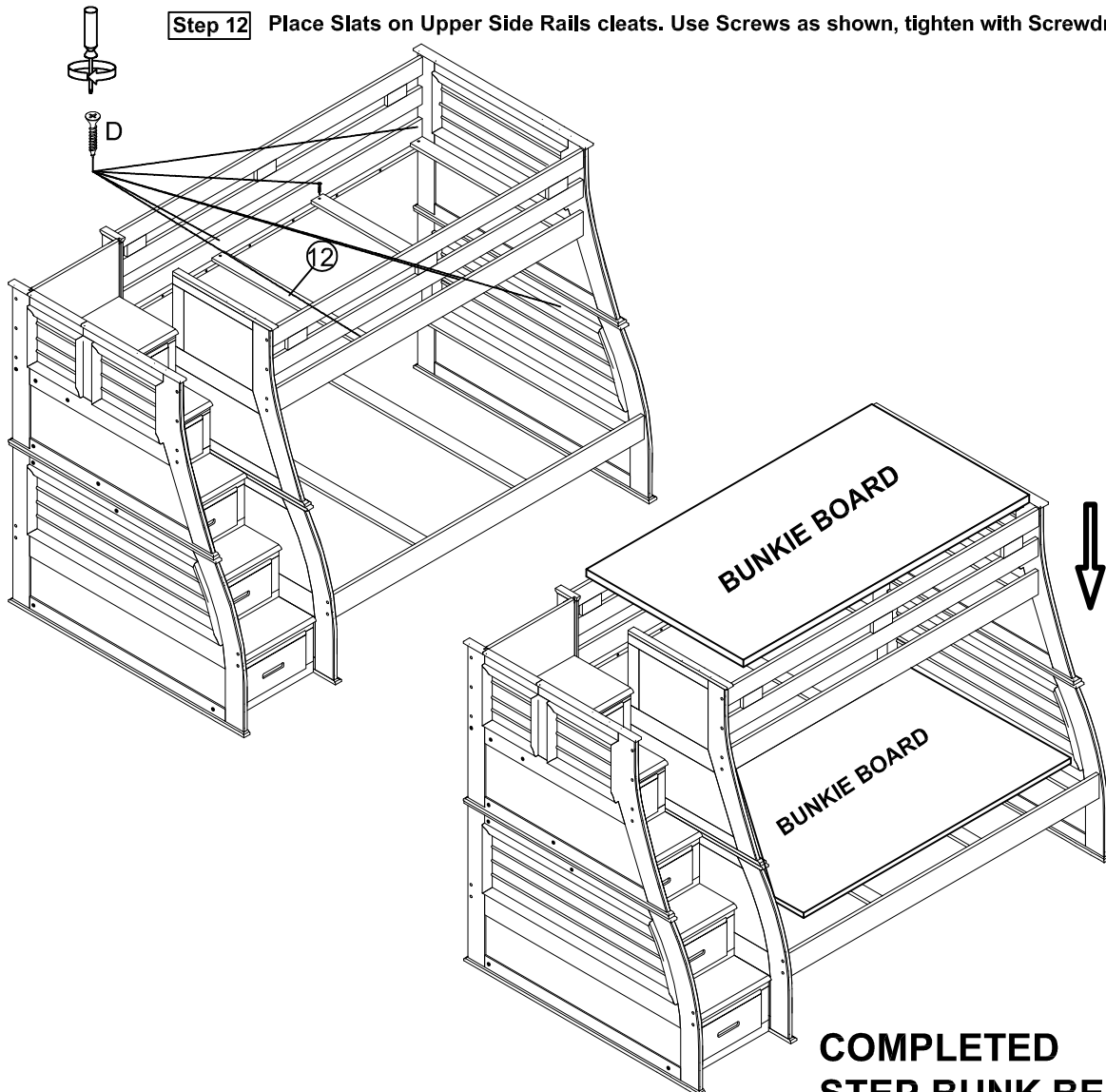
DO NOT USE SUBSTITUTE PARTS. PLEASE CONTACT YOUR RETAIL STORE OR WWW.ROOMSTOGO.COM WITH SERVICE OR PARTS REPLACEMENT REQUEST

Thank you for purchasing this quality product. Be sure to check all packing material carefully for small parts which may have come loose inside the carton during shipment. Identify and count all parts and compare with the parts list. Read all instructions before assembling furniture and keep these instructions for future reference.

ASSEMBLY INSTRUCTION

SKU#36140945 GRAY & 36140969 GRAPHITE & 36140921 WHITE			
4 SIDE RAILS & 2 GUARD RAILS - HARDWARE LIST			
PART NO.	PART	DESCRIPTION	QTY
J		Allen Key M4	1 PC
A		Bolt 1/4" x 20 x 2 3/8" x Ø17	24 PCS
D		Screw 5/32" x 1 3/8"	16 PCS

Step 12 Place Slats on Upper Side Rails cleats. Use Screws as shown, tighten with Screwdriver.



WARNING

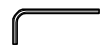
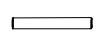


The bed slats included with this bed will not support a mattress alone, this bed requires Bunkie Boards (Sold separately)

**COMPLETED
STEP BUNK BED**

DO NOT USE SUBSTITUTE PARTS. PLEASE CONTACT YOUR RETAIL STORE OR WWW.ROOMSTOGO.COM WITH SERVICE OR PARTS REPLACEMENT REQUEST

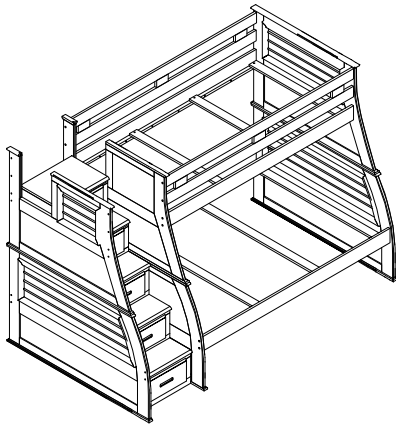
Thank you for purchasing this quality product. Be sure to check all packing material carefully for small parts which may have come loose inside the carton during shipment. Identify and count all parts and compare with the parts list. Read all instructions before assembling furniture and keep these instructions for future reference.

ASSEMBLY INSTRUCTION

SKU#36140945 GRAY & 36140969 GRAPHITE & 36140921 WHITE 4 SIDE RAILS & 2 GUARD RAILS - HARDWARE LIST				SKU#36040943 GRAY & 36040967 GRAPHITE & 36040929 WHITE TWIN & FULL BUNK ENDS - HARDWARE LIST			
PART NO.	PART	DESCRIPTION	QTY	PART NO.	PART	DESCRIPTION	QTY
J		Allen Key M4	1 PC	C		Pin Ø10 x 3 15/16"	2 PCS
A		Bolt 1/4" x 20 x 2 3/8" x Ø17	8 PCS				
D		Screw 5/32" x 1 3/8"	8 PCS				

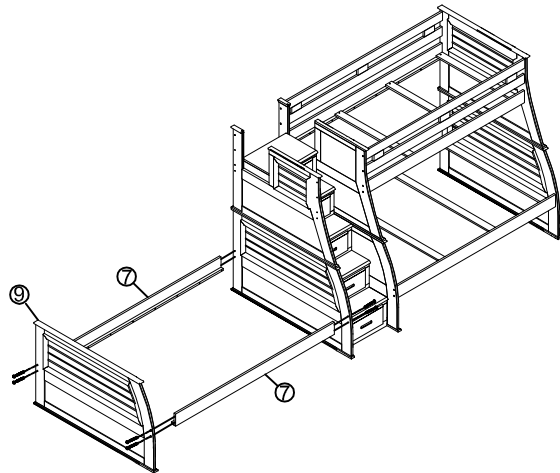
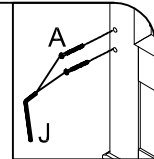
Step 14

Remove Slide Up Panel from the Upper Step End Panel.



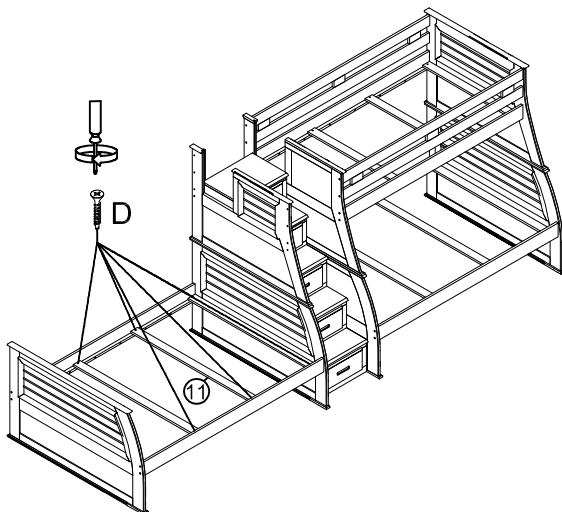
Step 15

Assemble Side Rails to lower Bed End & Step End Panel.



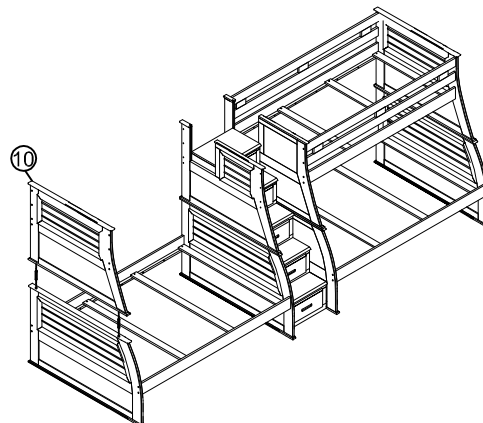
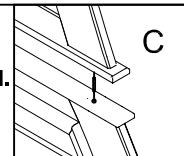
Step 16

Place Slats on Side Rails cleats.
Use Screws as shown, tighten with Screwdriver.



Step 17

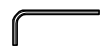



Set up Upper Bed End to Lower Bed End.
Use metal pins as shown.



DO NOT USE SUBSTITUTE PARTS. PLEASE CONTACT YOUR RETAIL STORE OR WWW.ROOMSTOGO.COM WITH SERVICE OR PARTS REPLACEMENT REQUEST

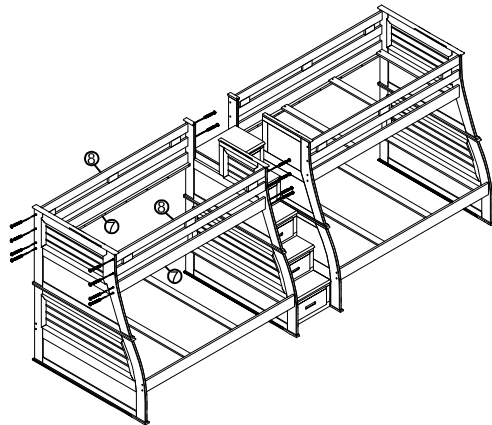
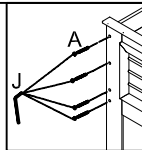
Thank you for purchasing this quality product. Be sure to check all packing material carefully for small parts which may have come loose inside the carton during shipment. Identify and count all parts and compare with the parts list. Read all instructions before assembling furniture and keep these instructions for future reference.

ASSEMBLY INSTRUCTION

SKU#36140945 GRAY & 36140969 GRAPHITE & 36140921 WHITE 4 SIDE RAILS & 2 GUARD RAILS - HARDWARE LIST				SKU#36240947 GRAY & 36240961 GRAPHITE & 36240923 WHITE STEP END PANELS - HARDWARE LIST			
PART NO.	PART	DESCRIPTION	QTY	PART NO.	PART	DESCRIPTION	QTY
J		Allen Key M4	1 PC	B		Bolt 1/4" x 20 x 1 1/2" x Ø17	2 PCS
A		Bolt 1/4" x 20 x 2 3/8" x Ø17	16 PCS				
D		Screw 5/32" x 1 3/8"	8 PCS				

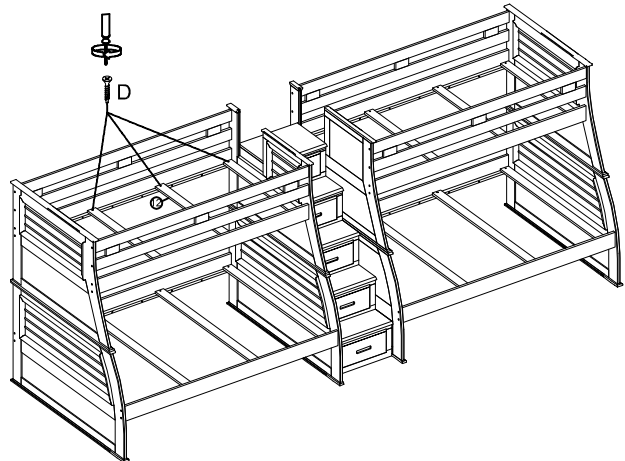
Step 18

Assemble Side Rails & Guard Rails to Upper Bed End & Upper Step End Panel.

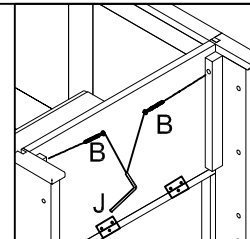
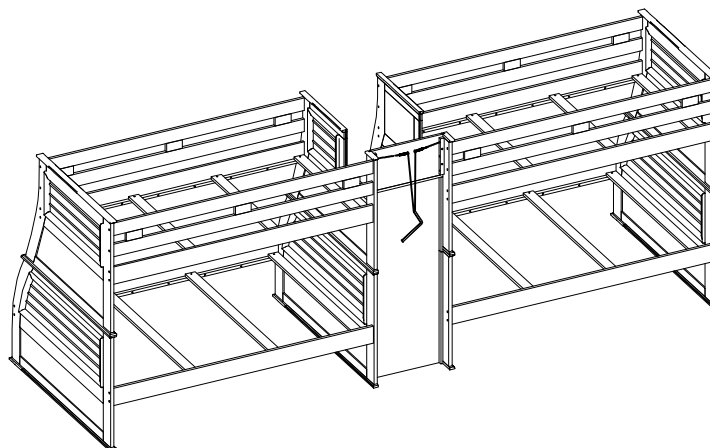


Step 19

Place Slats on Upper Side Rails cleats. Use Screws as shown, tighten with Screwdriver.



Step 20 Swing up and assemble Back Fence to Step End Panels (Upper).



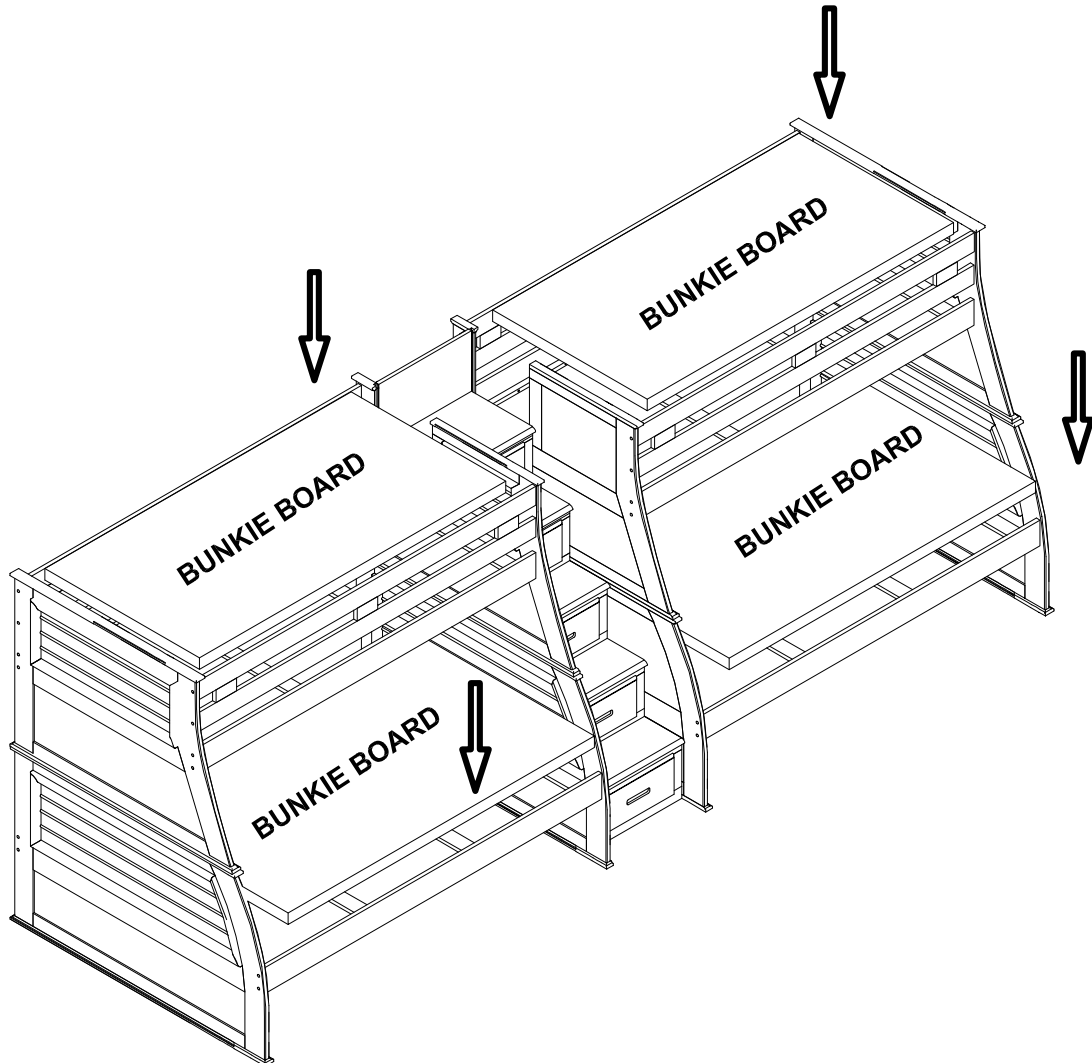
DO NOT USE SUBSTITUTE PARTS. PLEASE CONTACT YOUR RETAIL STORE OR WWW.ROOMSTOGO.COM WITH SERVICE OR PARTS REPLACEMENT REQUEST

Thank you for purchasing this quality product. Be sure to check all packing material carefully for small parts which may have come loose inside the carton during shipment. Identify and count all parts and compare with the parts list. Read all instructions before assembling furniture and keep these instructions for future reference.

ASSEMBLY INSTRUCTION

Step 20

Place Twin Bunkie Boards on upper Bunks & Full Bunkie Boards on lower Bunks to complete assembly.



COMPLETED DOUBLE BUNK BED


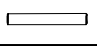
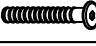

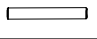
WARNING

The bed slats included with this bed will not support a mattress alone, this bed requires Bunkie Boards (Sold separately)

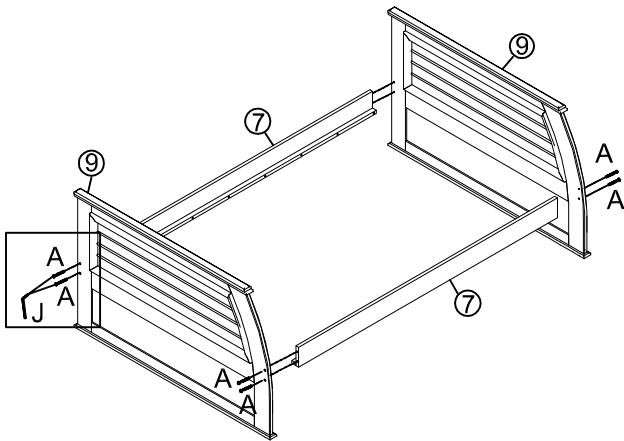
DO NOT USE SUBSTITUTE PARTS. PLEASE CONTACT YOUR RETAIL STORE OR WWW.ROOMSTOGO.COM WITH SERVICE OR PARTS REPLACEMENT REQUEST

Thank you for purchasing this quality product. Be sure to check all packing material carefully for small parts which may have come loose inside the carton during shipment. Identify and count all parts and compare with the parts list. Read all instructions before assembling furniture and keep these instructions for future reference.

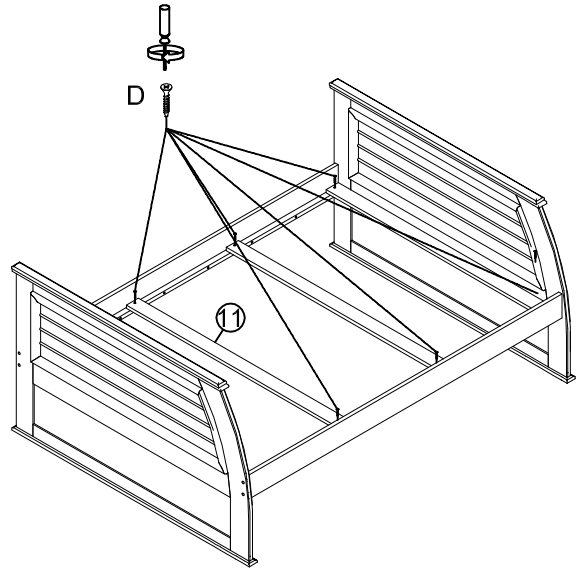
ASSEMBLY INSTRUCTION

SKU#36140945 GRAY & 36140969 GRAPHITE & 36140921 WHITE 4 SIDE RAILS & 2 GUARD RAILS - HARDWARE LIST				SKU#36040943 GRAY & 36040967 GRAPHITE & 36040929 WHITE TWIN & FULL BUNK ENDS - HARDWARE LIST			
PART NO.	PART	DESCRIPTION	QTY	PART NO.	PART	DESCRIPTION	QTY
J		Allen Key M4	1 PC	C		Pin Ø10 x 3 15/16"	2 PCS
A		Bolt 1/4" x 20 x 2 3/8" x Ø17	24 PCS	SKU#36040943 GRAY & 36040929 WHITE TWIN & FULL BUNK ENDS - HARDWARE LIST			
D		Screw 5/32" x 1 3/8"	16 PCS	PART NO.	PART	DESCRIPTION	QTY
				C		Pin Ø10 x 3 15/16"	2 PCS

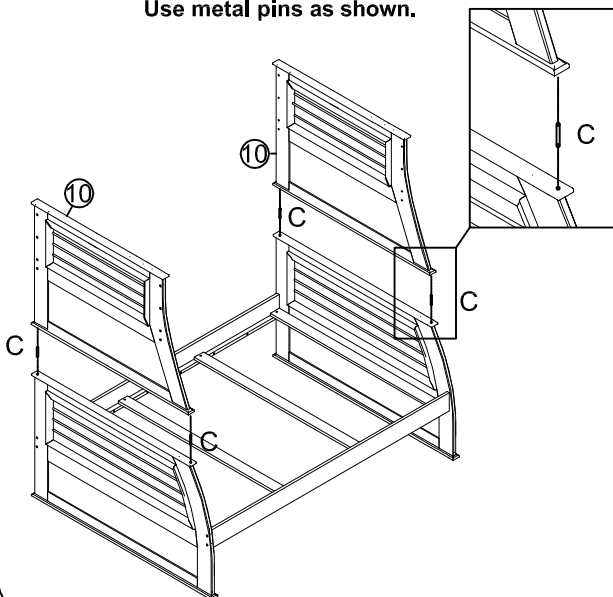
Step 1 Assemble Side Rails to Lower Bed Ends.



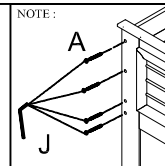
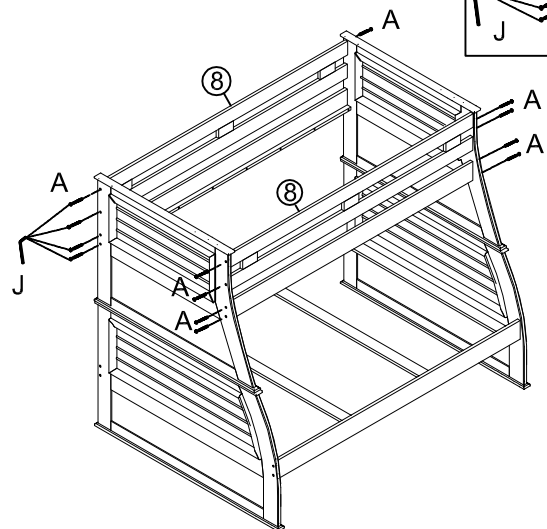
Step 2 Place Slats on Side Rails cleats. Use Screws as shown, tighten with Screwdriver.



Step 3 Set up Upper Bed Ends to Lower Bed. Use metal pins as shown.



Step 4 Assemble Side Rails & Guard Rails to upper Bed Ends.




DO NOT USE SUBSTITUTE PARTS. PLEASE CONTACT YOUR RETAIL STORE OR WWW.ROOMSTOGO.COM WITH SERVICE OR PARTS REPLACEMENT REQUEST

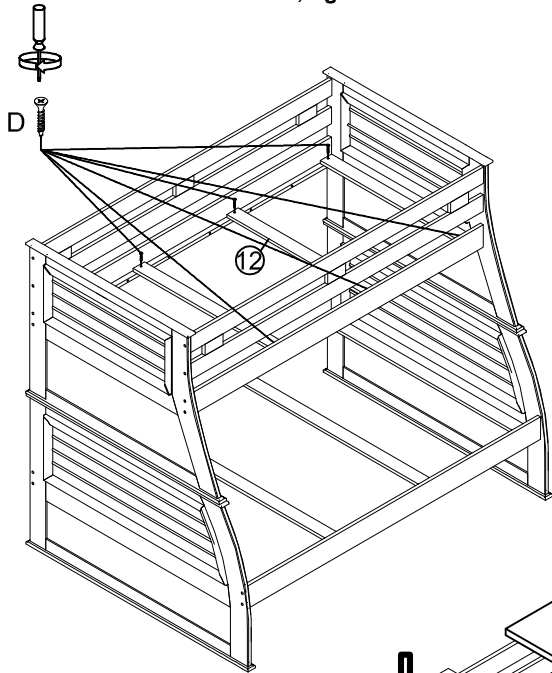
Thank you for purchasing this quality product. Be sure to check all packing material carefully for small parts which may have come loose inside the carton during shipment. Identify and count all parts and compare with the parts list. Read all instructions before assembling furniture and keep these instructions for future reference.

ASSEMBLY INSTRUCTION

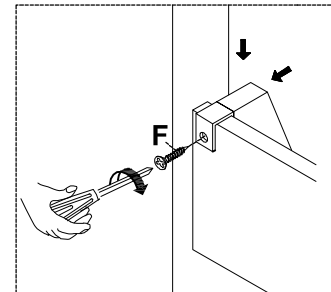
**SKU#36440941 GRAY & 36440965 GRAPHITE & 36440927 WHITE
LADDER - HARDWARE LIST**

PART NO.	PART	DESCRIPTION	QTY
F		Screw 5/32" x 5/8"	4 PCS

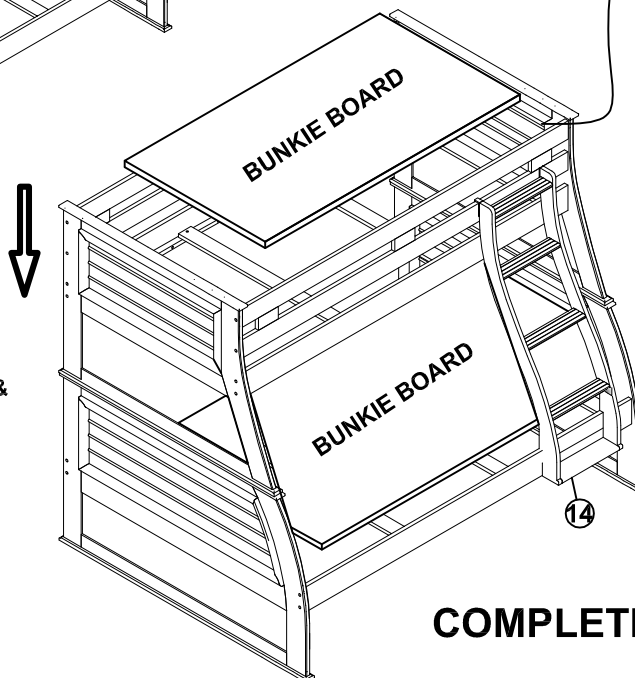
Step 5 Place Slats on Upper Side Rails cleats.
Use Screws as shown, tighten with Screwdriver.



Step 6 Screw Ladder to Upper & Lower Side Rails, tighten with Screwdriver.



Step 7
Place Twin Bunkie Board on upper Bunk &
Full Bunkie Board on lower Bunk to
complete assembly.



COMPLETED

WARNING

The bed slats included with this bed will not support a mattress alone, this bed requires Bunkie Boards (Sold separately)

DO NOT USE SUBSTITUTE PARTS. PLEASE CONTACT YOUR RETAIL STORE OR WWW.ROOMSTOGO.COM WITH SERVICE OR PARTS REPLACEMENT REQUEST