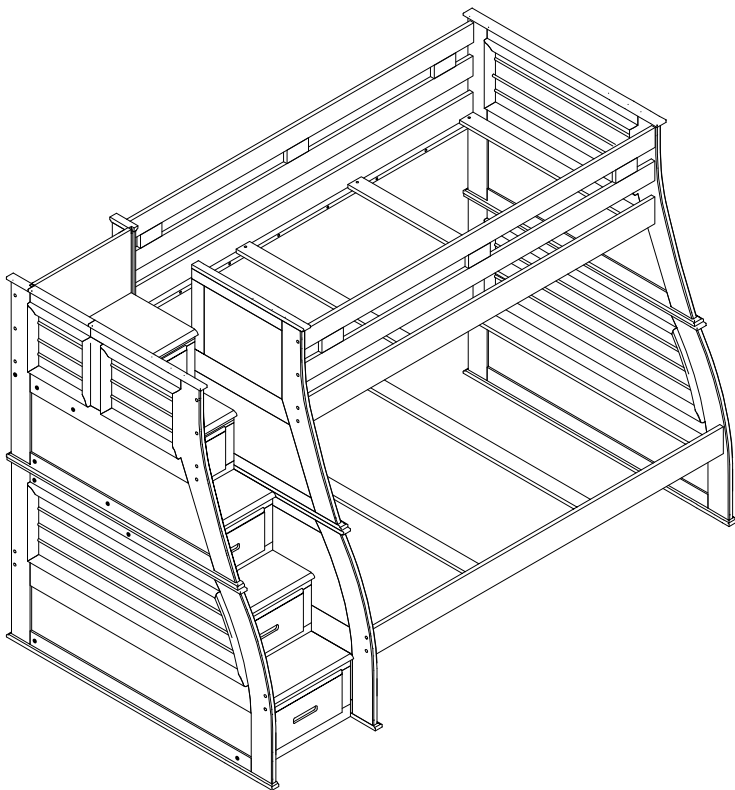
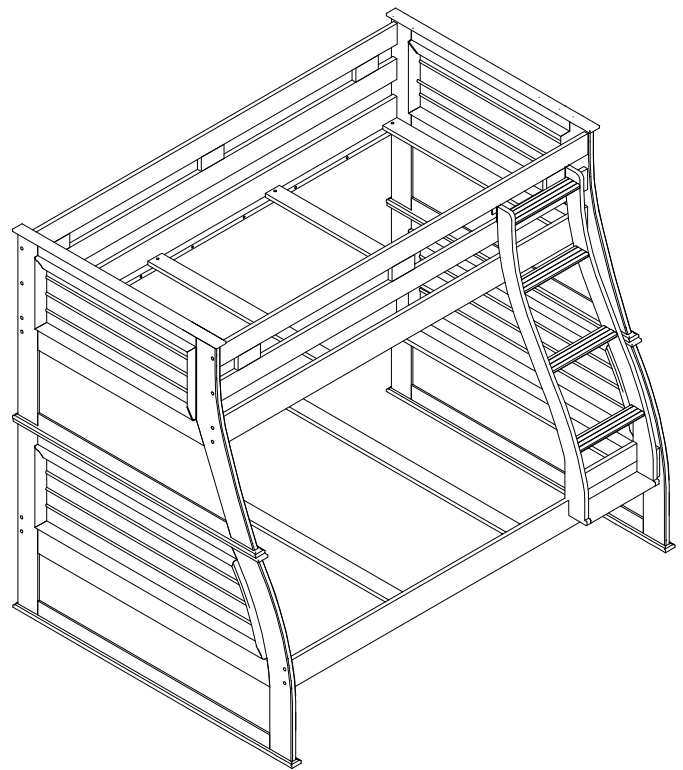


# HILTON HEAD

## 9017-9019 TWIN/FULL BUNK BED & STEP BUNK BED



**STEP BUNK BED**



**REGULAR BUNK BED**

**Use only correct mattress dimensions and Bunkie board:**

Twin size mattress- 74" – 75" long and 37.5"-38.5" wide

Twin size Bunkie board- 74" long and 37.5" wide

Full size mattress- 74" – 75" long and 52.5"-53.5" wide

Full size Bunkie board- 74" long and 52.5" wide

PACKAGE: 3604094P WHITE TWIN/FULL BUNK BED		
RTG SKU	STYLE#	ITEM DESCRIPTION
36040929	9019-1	TWIN & FULL BUNK ENDS,
36040929	9019-1	TWIN & FULL BUNK ENDS,
36140921	9019-2	4 SIDE RAILS & 2 GUARD RAILS,
36540929	901WS	TWIN & FULL SLATS,
36440927	9019-3	LADDER

PACKAGE: 3614092P GRAY TWIN/FULL BUNK BED		
RTG SKU	STYLE#	ITEM DESCRIPTION
36040943	9017-1	TWIN & FULL BUNK ENDS,
36040943	9017-1	TWIN & FULL BUNK ENDS,
36140945	9017-2	4 SIDE RAILS & 2 GUARD RAILS,
36540929	901WS	TWIN & FULL SLATS,
36440941	9017-3	LADDER

PACKAGE: 3614094P WHITE TWIN/FULL STEP BUNK BED		
RTG SKU	STYLE#	ITEM DESCRIPTION
36040929	9019-1	TWIN & FULL BUNK ENDS,
36240923	9019-6	STEP END PANELS,
36340925	9019-7	STEP UNIT TOP,BOTTOM, &BACK FENCE
36140921	9019-2	4 SIDE RAILS & 2 GUARD RAILS,
36540929	901WS	TWIN & FULL SLATS

PACKAGE: 3624092P GRAY TWIN/FULL STEP BUNK BED		
RTG SKU	STYLE#	ITEM DESCRIPTION
36040943	9017-1	TWIN & FULL BUNK ENDS,
36240947	9017-6	STEP END PANELS,
36340949	9017-7	STEP UNIT TOP,BOTTOM, &BACK FENCE
36140945	9017-2	4 SIDE RAILS & 2 GUARD RAILS,
36540929	901WS	TWIN & FULL SLATS

**PLEASE CONTACT YOUR RETAIL STORE WITH SERVICE OR PARTS REPLACEMENT REQUEST**

This product is manufactured by SULT for **ROOMS TO GO** | **KIDS™**

# MATTRESS AND BUNKIE BOARD CHART

PACKAGE	DESCRIPTION	TOP BED	BOTTOM BED
3604094P	TWIN/FULL BUNK BED	TWIN MATTRESS TWIN BUNKIE BOARD REQUIRED	FULL MATTRESS FULL BUNKIE BOARD REQUIRED
3614092P	TWIN/FULL BUNK BED	TWIN MATTRESS TWIN BUNKIE BOARD REQUIRED	FULL MATTRESS FULL BUNKIE BOARD REQUIRED
3614094P	TWIN/FULL STEP BUNK BED	TWIN MATTRESS TWIN BUNKIE BOARD REQUIRED	FULL MATTRESS FULL BUNKIE BOARD REQUIRED
3624092P	TWIN/FULL STEP BUNK BED	TWIN MATTRESS TWIN BUNKIE BOARD REQUIRED	FULL MATTRESS FULL BUNKIE BOARD REQUIRED

**Use only correct mattress dimensions and Bunkie board:**

Twin size mattress- 74" – 75" long and 37.5"-38.5" wide

Twin size Bunkie board- 74" long and 37.5" wide

Full size mattress- 74" – 75" long and 52.5"-53.5" wide

Full size Bunkie board- 74" long and 52.5" wide



**WARNING DANGER:**

Failure to follow these warnings and assembly instructions could result in serious injury or death. To help prevent serious or fatal injuries from entrapment or falls:

Read all instructions before assembling bunk bed and keep these instructions for future reference.

Before each usage or assembly, inspect bunk bed for damaged hardware, loose joints, missing parts, or sharp edges. DO NOT use bunk bed if any parts are missing or broken.

DO NOT use substitute parts. Contact your local Rooms To Go or visit [www.ROOMSTOGO.com](http://www.ROOMSTOGO.com) for replacement parts and instructional literature if needed.

Follow the information on the warnings appearing on the upper bunk end structure and on the carton. DO NOT REMOVE WARNING LABEL FROM BED.

Always use the recommended size mattresses or mattress supports, or both, to help prevent the likelihood of entrapment or falls.

Ensure thickness of mattress and foundation combined does not exceed 10" and mattress surface is at least 5 inches (127mm) below upper edge of guardrails.

Do not allow children under 6 years of age to use the upper bunk.

Periodically check and ensure that the guardrail, ladder, and other components are in their proper position, free from damage, and that all connectors are tight.

Do not allow horseplay on or under the bed and prohibit jumping on the bed.

Limit top bunk use to one person.

Always use the ladder for entering and leaving the upper bunk.

Use of a night light may provide added safety precaution for a child using the upper bunk.

Always use guardrails on both long sides of the upper bunk. If the bunk bed will be placed next to the wall, the guardrail that runs the full length of the bed should be placed against the wall to prevent entrapment between the bed and wall.

The use of water or sleep flotation mattresses is prohibited.

This bunk bed meets or exceeds the requirements of ASTM F1427-21



**STRANGULATION HAZARD:**

Never attach or hang items to any part of the bunk bed that are not designed for use with the bed; for example, but not limited to, hooks, belts and jump ropes.

## PRE ASSEMBLY

### **Warning:**

The bed slats included with this bed will not support a mattress alone, this bed requires Bunkie boards (sold separately).

Read all the instructions, identify all components, choose your configuration, and be sure you have all parts prior to assembly.

Two people are needed to assemble.

### **Tools Needed**

Phillips heads screwdriver (not included)

4mm allen wrench (included)

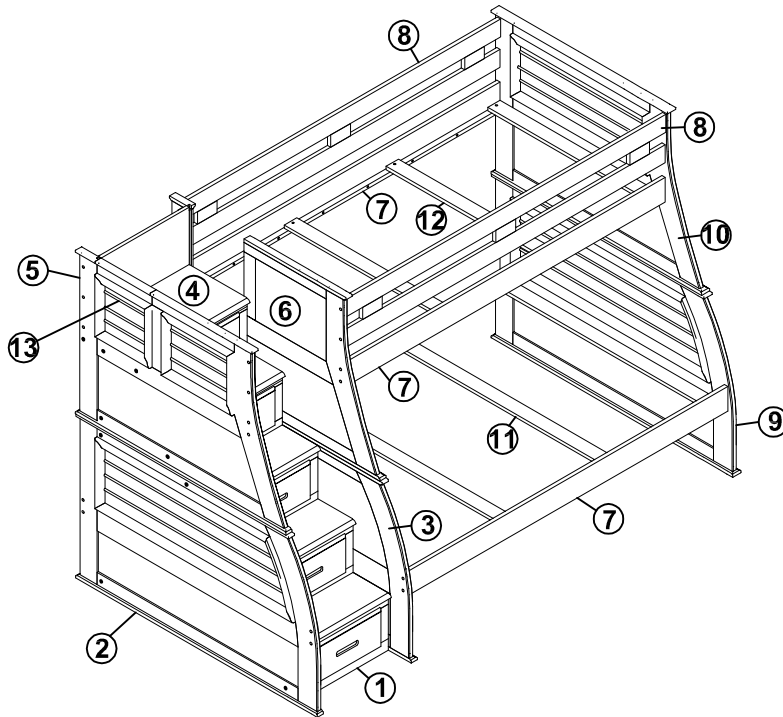
## **MAKE SURE ALL BOLTS ARE TIGHTENED COMPLETELY**

### **CARE INSTRUCTIONS:**

Dust with a clean, soft cloth. Avoid the use of all abrasive cleaners.

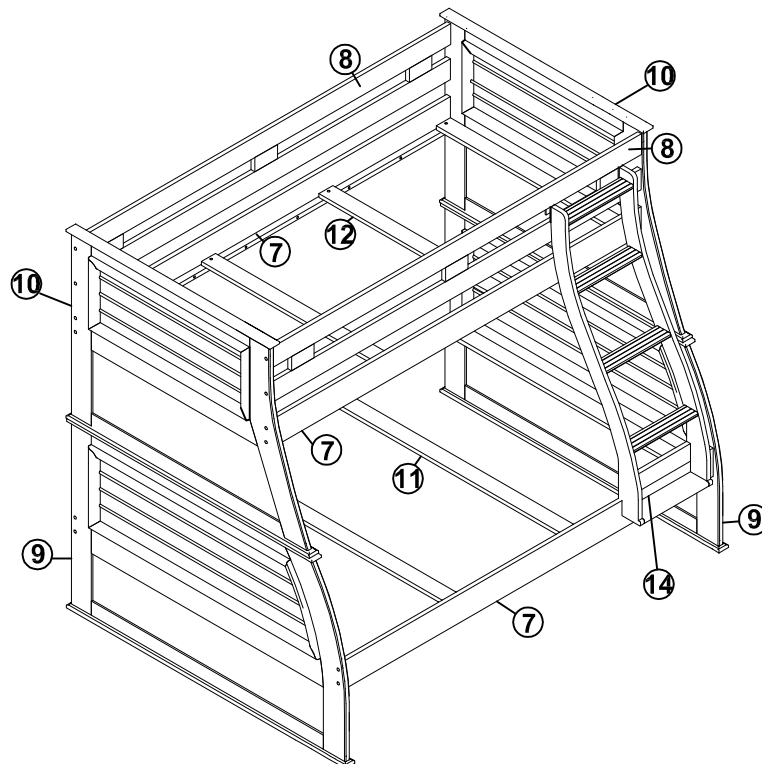
PLEASE CONTACT YOUR RETAIL STORE WITH SERVICE OR PARTS REPLACEMENT REQUEST

# PARTS LIST



## STEP BUNK BED

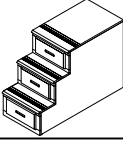
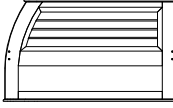

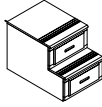
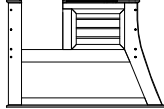
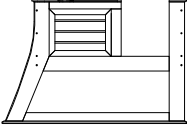
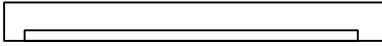
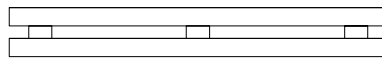
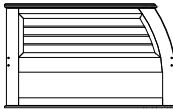

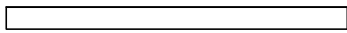
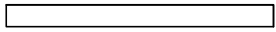
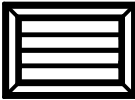

Please reference Page 9~12 for assembly steps




## REGULAR BUNK BED

Please reference Page 13~14 for assembly steps

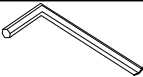
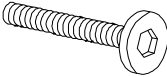
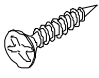
## PARTS LIST

NO.	DESCRIPTION	PARTS PHOTO	QTY FOR BUNK BED	QTY FOR STEP BUNK BED
①	STEP BOTTOM		X	1 PC
②	STEP END PANELS (LOWER) L		X	1 PC
③	STEP END PANELS (LOWER) R		X	1 PC
④	STEP TOP&BACK FENCE		X	1 PC
⑤	STEP END PANELS (UPPER) L		X	1 PC
⑥	STEP END PANELS (UPPER) R		X	1 PC
⑦	SIDE RAILS		4 PCS	4 PCS
⑧	GUARDRAILS		2 PCS	2 PCS
⑨	FULL BED END		2 PCS	1 PC
⑩	TWIN BED END		2 PCS	1 PC
⑪	FULL SLATS		4 PCS	4 PCS
⑫	TWIN SLATS		4 PCS	4 PCS
⑬	SLIDE UP PANEL		X	1 PC
⑭	LADDER		1 PC	X

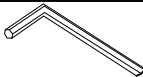
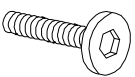

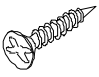
## HARDWARE LIST

BUNK BED STEP NO.	STEP BUNK BED STEP NO.	PART NO.	PART	DESCRIPTION	SIZE	QTY
3	10	C		Pin	Ø10 x 3 15/16"	2 PCS

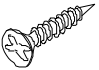
HARDWARE PACK LOCATION : TWIN & FULL BUNK ENDS  
9017/9019-1 SKU: 36040943/36040929

BUNK BED STEP NO.	STEP BUNK BED STEP NO.	PART NO.	PART	DESCRIPTION	SIZE	QTY
		J		Allen Key	M4	1 PC
1 & 4	8 & 11	A		Bolt	1/4" x 2 3/8" x Ø17	24 PCS
2 & 5	9 & 12	D		Screw	5/32" x 1 3/8"	16 PCS

HARDWARE PACK LOCATION : 4 SIDE RAILS & 2 GUARD RAILS  
9017/9019-2 SKU: 36140945/36140921

BUNK BED STEP NO.	STEP BUNK BED STEP NO.	PART NO.	PART	DESCRIPTION	SIZE	QTY
		J		Allen Key	M4	1 PC
X	1~4, 7	B		Bolt	1/4" x 1 1/2" x Ø17	18 PCS
X	6	C		Pin	Ø10 x 3 15/16"	4 PCS
X	5	E		Screw	5/32" x 5/8"	2 PCS

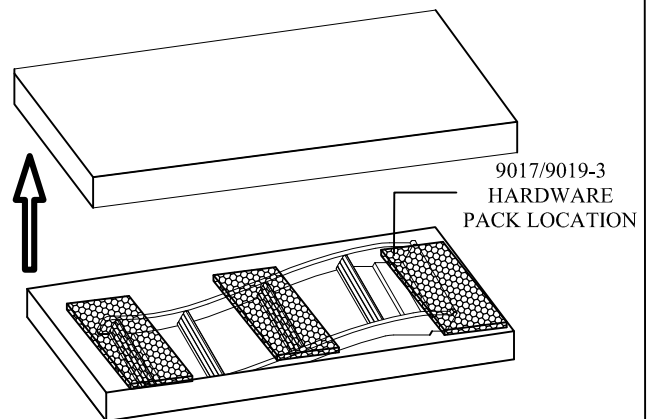
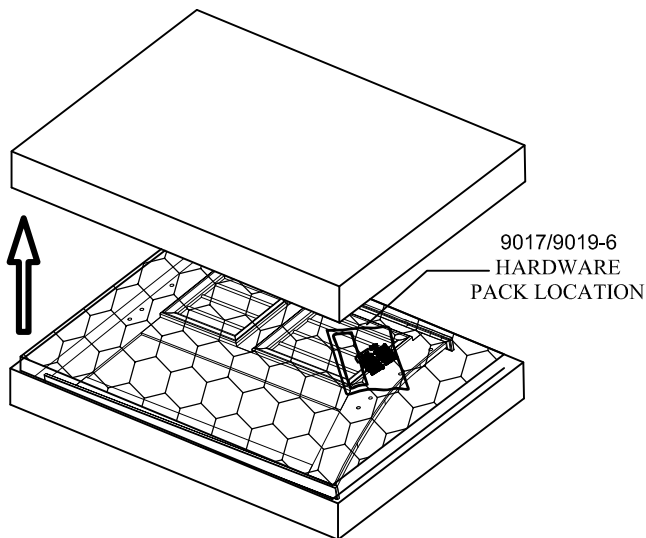
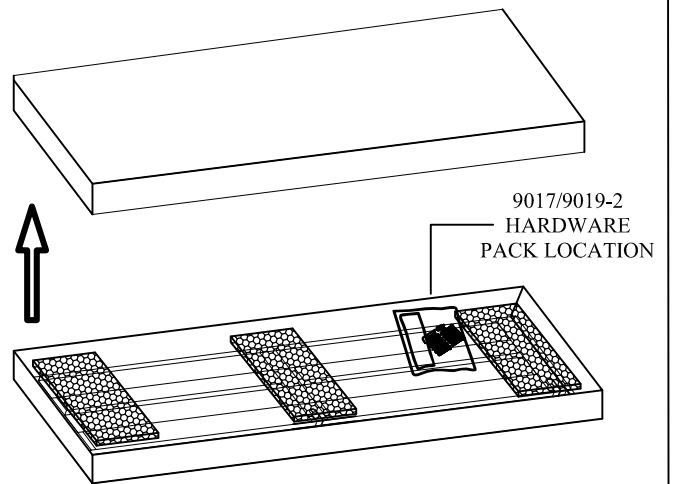
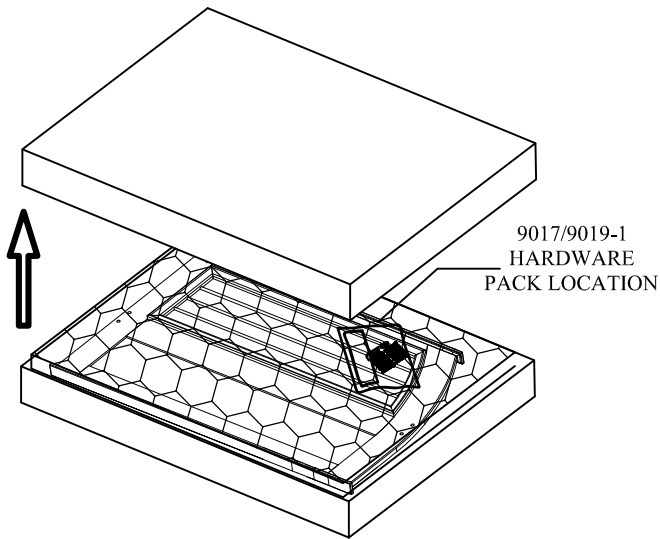
HARDWARE PACK LOCATION : STEP END PANELS  
9017/9019-6 SKU: 36240947/36240923

BUNK BED STEP NO.	STEP BUNK BED STEP NO.	PART NO.	PART	DESCRIPTION	SIZE	QTY
6	X	F		Screw	5/32" x 5/8"	4 PCS

HARDWARE PACK LOCATION : LADDER  
9017/9019-3 SKU: 36440941/36440927

## Hardware Pack Locations:

RTG SKU	Style#	Description
36040943/36040929	9017/9019-1	TWIN & FULL BUNK ENDS
36140945/36140921	9017/9019-2	4 SIDE RAILS & 2 GUARD RAILS
36240947/36240923	9017/9019-6	STEP END PANELS
36440941/36440927	9017/9019-3	LADDER



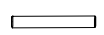





Thank you for purchasing this quality product. Be sure to check all packing material carefully for small parts which may have come loose inside the carton during shipment. Identify and count all parts and compare with the parts list. Read all instructions before assembling furniture and keep these instructions for future reference.

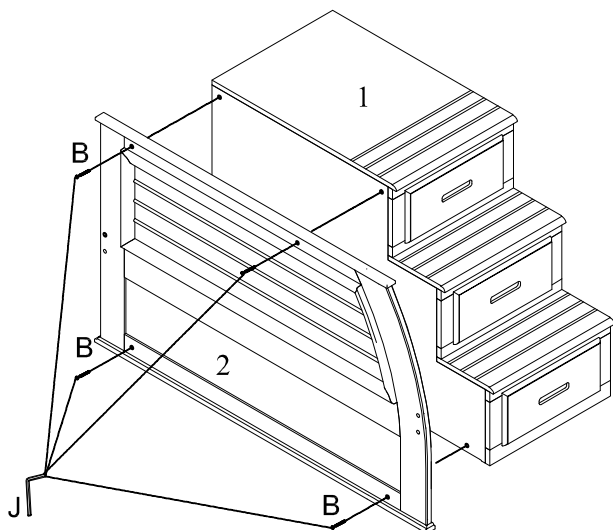
## ASSEMBLY INSTRUCTION

### SKU#36240947 GRAY & 36240923 WHITE STEP END PANELS - HARDWARE LIST

PART NO.	PART	DESCRIPTION	QTY
J		Allen Key M4	1 PC
B		Bolt 1/4" x 1 1/2" x Ø17	18 PCS
C		Pin Ø10 x 3 15/16"	4 PCS
E		Screw 5/32" x 5/8"	2 PCS

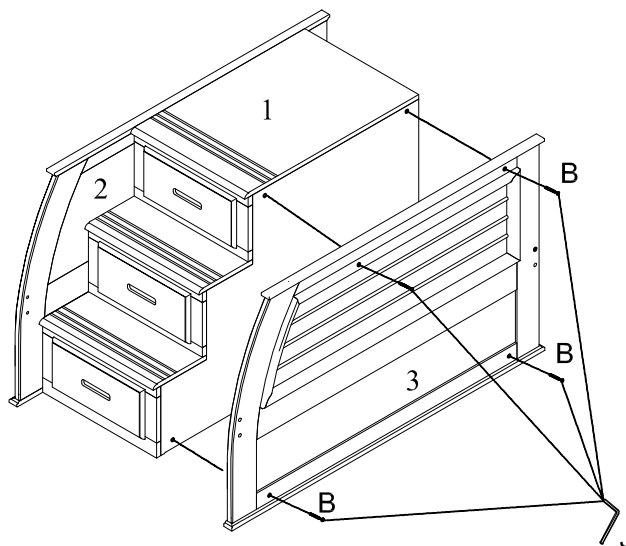
**Step 1**

**Assemble Step End Panel (Lower) L to Step Bottom.**



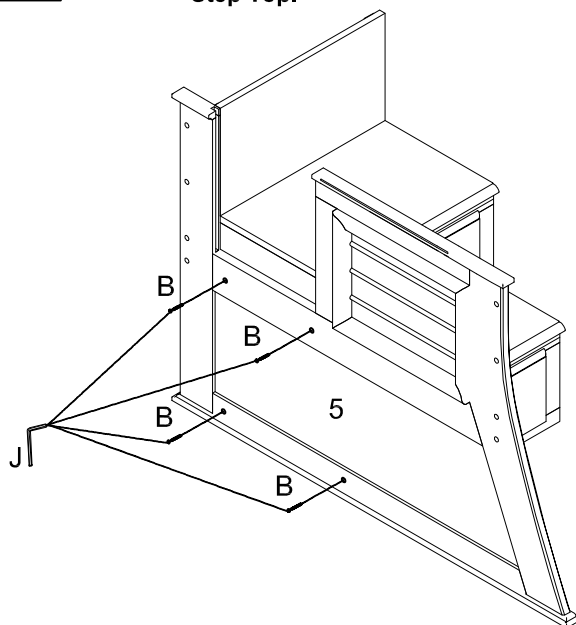
**Step 2**

**Assemble Step End Panel (Lower) R to Step Bottom.**



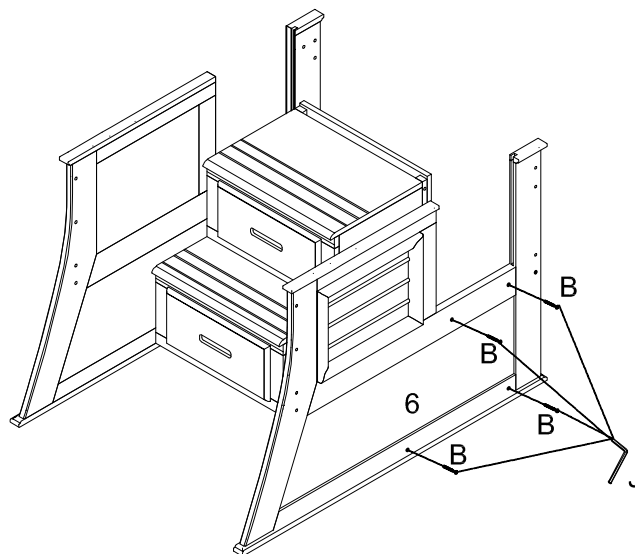
**Step 3**

**Assemble Step End Panel (Upper) L to Step Top.**



**Step 4**



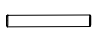

**Assemble Step End Panel (Upper) R to Step Top.**



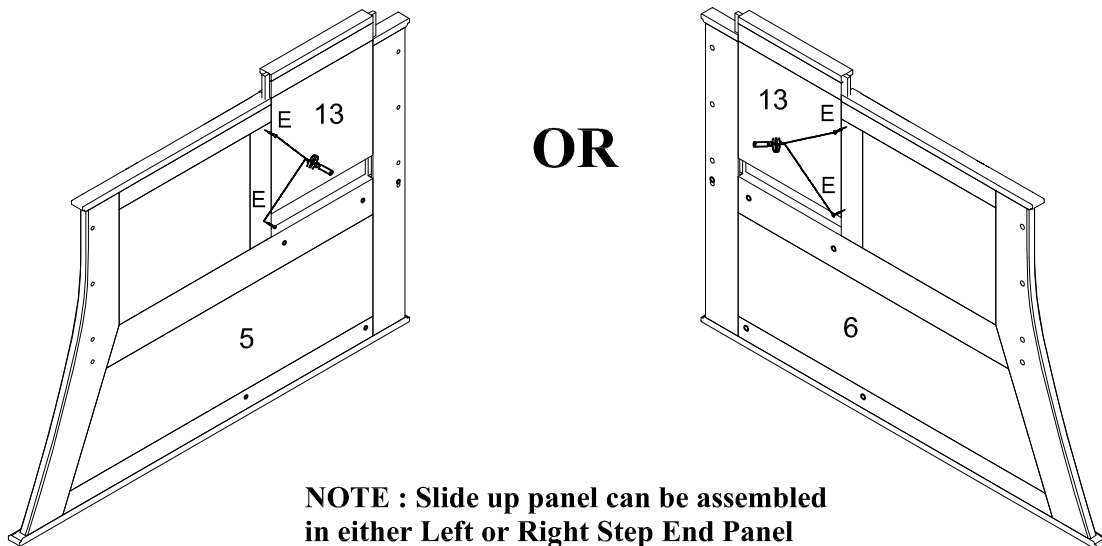
Thank you for purchasing this quality product. Be sure to check all packing material carefully for small parts which may have come loose inside the carton during shipment. Identify and count all parts and compare with the parts list. Read all instructions before assembling furniture and keep these instructions for future reference.

## ASSEMBLY INSTRUCTION

### SKU#36240947 GRAY & 36240923 WHITE STEP END PANELS - HARDWARE LIST

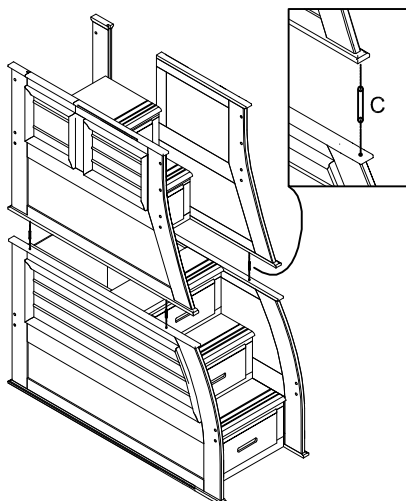
PART NO.	PART	DESCRIPTION	QTY
J		Allen Key M4	1 PC
B		Bolt 1/4" x 1 1/2" x Ø17	18 PCS
C		Pin Ø10 x 3 15/16"	4 PCS
E		Screw 5/32" x 5/8"	2 PCS

#### Step 5 Assemble Slide Up Panel to Step End Panel (Upper).

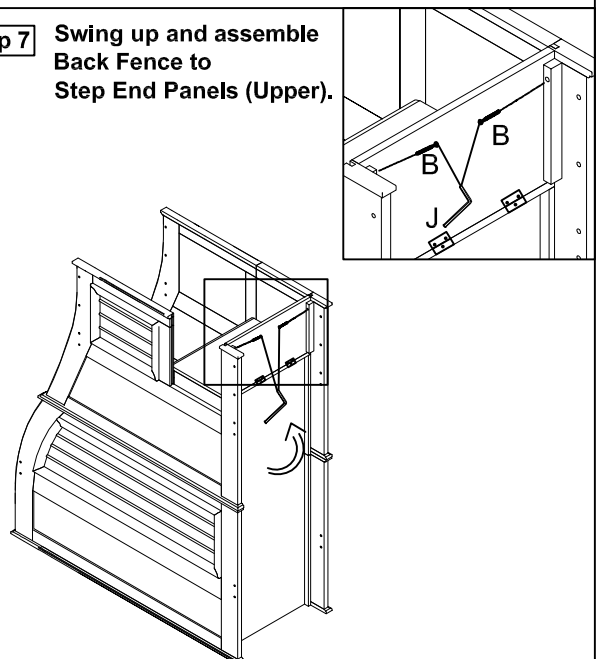


**NOTE :** Slide up panel can be assembled in either Left or Right Step End Panel (Upper)

#### Step 6 Set up Step Top Unit to Step Bottom Unit. Use metal pins as shown.


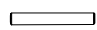




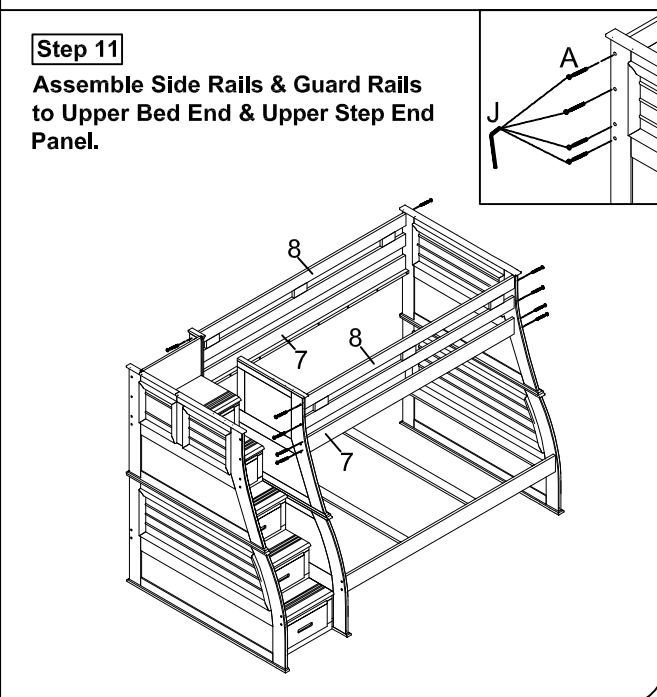
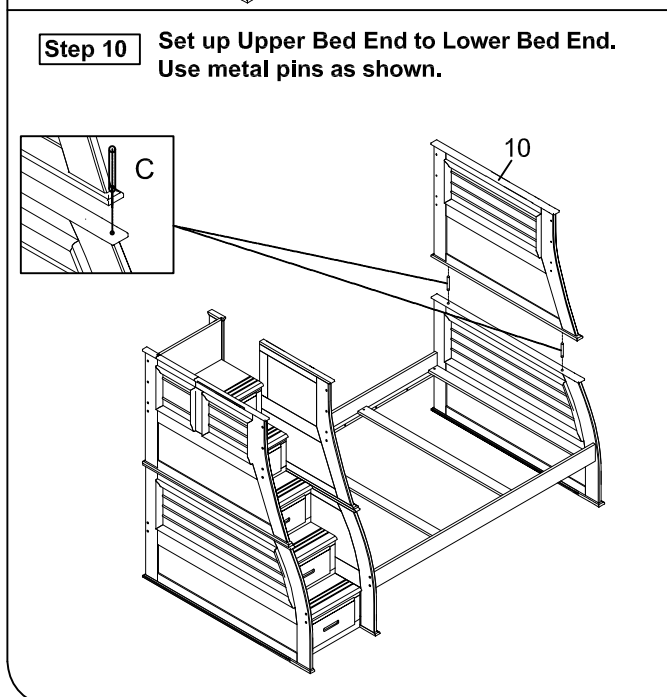
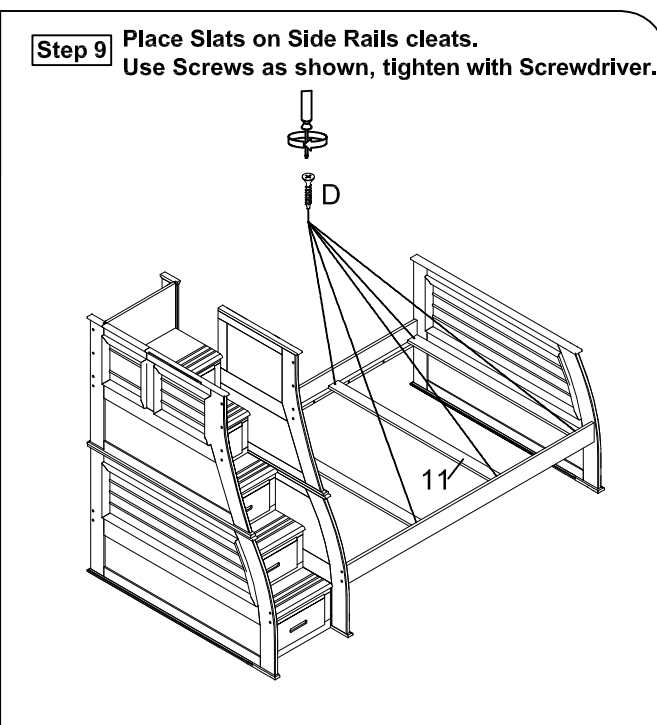
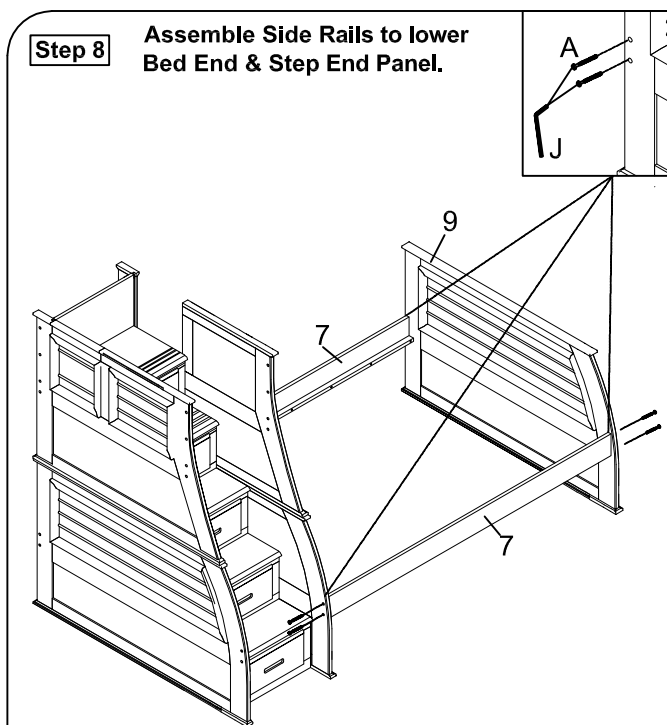
#### Step 7 Swing up and assemble Back Fence to Step End Panels (Upper).



Thank you for purchasing this quality product. Be sure to check all packing material carefully for small parts which may have come loose inside the carton during shipment. Identify and count all parts and compare with the parts list. Read all instructions before assembling furniture and keep these instructions for future reference.


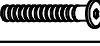

## ASSEMBLY INSTRUCTION

SKU#36140945 GRAY & 36140921 WHITE 4 SIDE RAILS & 2 GUARD RAILS - HARDWARE LIST				SKU#36040943 GRAY & 36040929 WHITE TWIN & FULL BUNK ENDS - HARDWARE LIST			
PART NO.	PART	DESCRIPTION	QTY	PART NO.	PART	DESCRIPTION	QTY
J		Allen Key M4	1 PC	C		Pin Ø10 x 3 15/16"	2 PCS
A		Bolt 1/4" x 2 3/8" x Ø17	24 PCS				
D		Screw 5/32" x 1 3/8"	16 PCS				

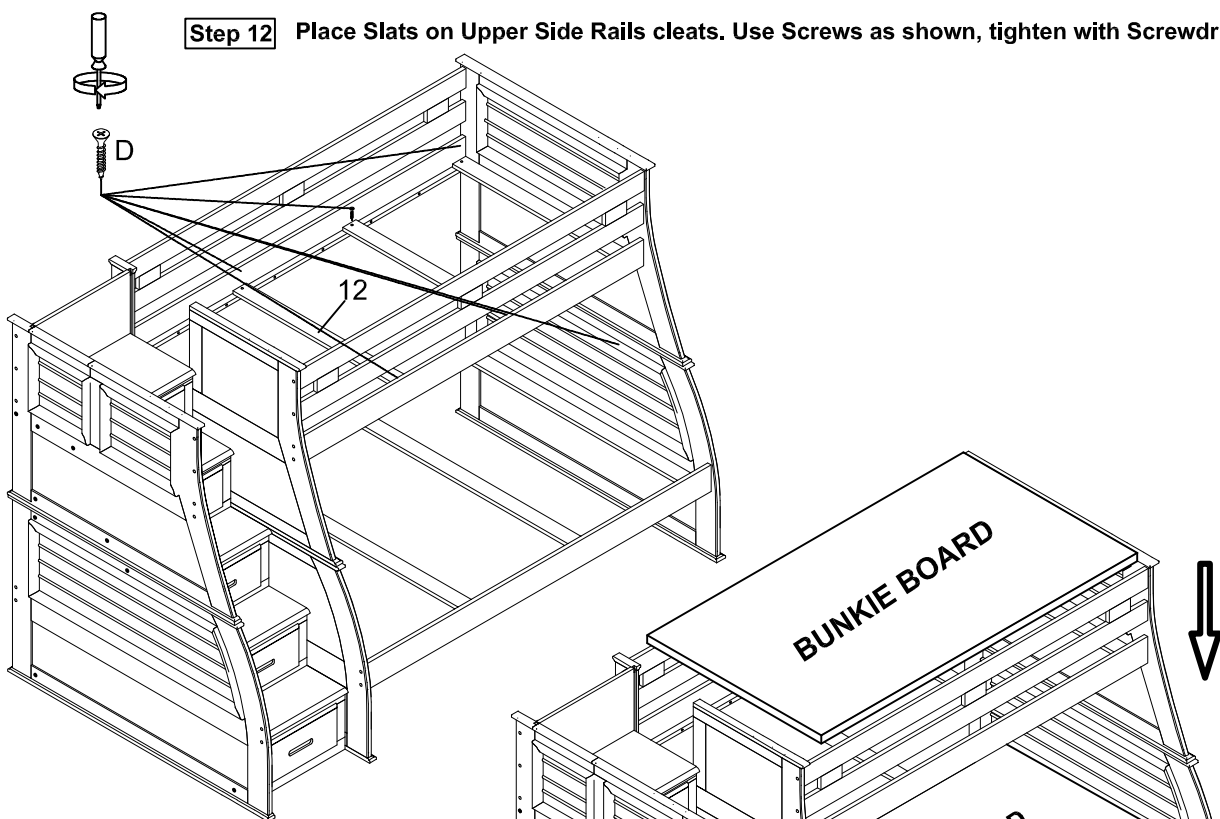


Thank you for purchasing this quality product. Be sure to check all packing material carefully for small parts which may have come loose inside the carton during shipment. Identify and count all parts and compare with the parts list. Read all instructions before assembling furniture and keep these instructions for future reference.

## ASSEMBLY INSTRUCTION

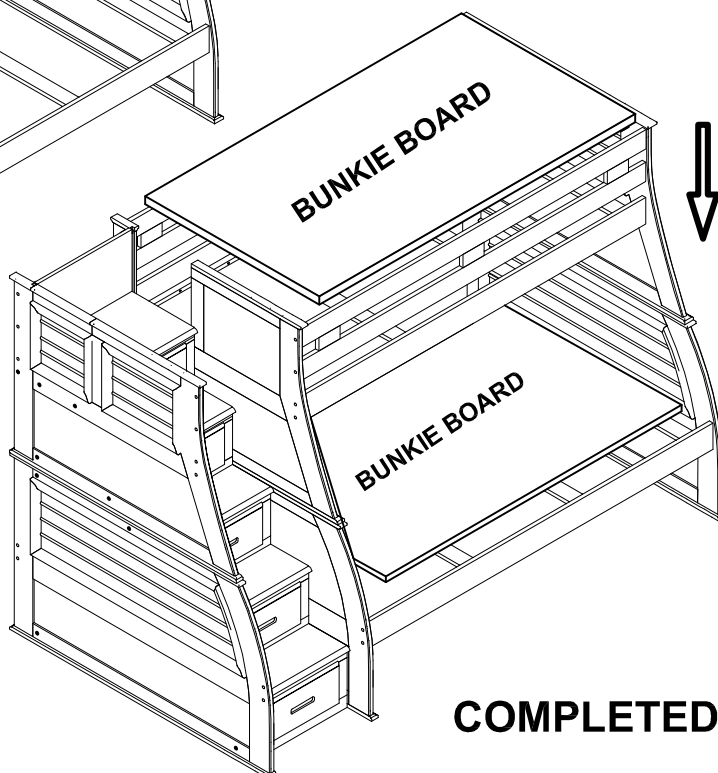
<b>SKU#36140945 GRAY &amp; 36140921 WHITE 4 SIDE RAILS &amp; 2 GUARD RAILS - HARDWARE LIST</b>			
PART NO.	PART	DESCRIPTION	QTY
J		Allen Key M4	1 PC
A		Bolt 1/4" x 2 3/8" x Ø17	24 PCS
D		Screw 5/32" x 1 3/8"	16 PCS

**Step 12** Place Slats on Upper Side Rails cleats. Use Screws as shown, tighten with Screwdriver.



**Step 13**

Place Twin Bunkie Board on upper Bunk & Full Bunkie Board on lower Bunk to complete assembly.


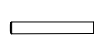


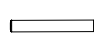


### WARNING

The bed slats included with this bed will not support a mattress alone, this bed requires Bunkie Boards (Sold separately)

Thank you for purchasing this quality product. Be sure to check all packing material carefully for small parts which may have come loose inside the carton during shipment. Identify and count all parts and compare with the parts list. Read all instructions before assembling furniture and keep these instructions for future reference.

## ASSEMBLY INSTRUCTION

SKU#36140945 GRAY & 36140921 WHITE 4 SIDE RAILS & 2 GUARD RAILS - HARDWARE LIST				SKU#36040943 GRAY & 36040929 WHITE TWIN & FULL BUNK ENDS - HARDWARE LIST			
PART NO.	PART	DESCRIPTION	QTY	PART NO.	PART	DESCRIPTION	QTY
J		Allen Key M4	1 PC	C		Pin Ø10 x 3 15/16"	2 PCS
A		Bolt 1/4" x 2 3/8" x Ø17	24 PCS	<b>SKU#36040943 GRAY &amp; 36040929 WHITE TWIN &amp; FULL BUNK ENDS - HARDWARE LIST</b>			
D		Screw 5/32" x 1 3/8"	16 PCS	PART NO.	PART	DESCRIPTION	QTY
				C		Pin Ø10 x 3 15/16"	2 PCS

**Step 1** Assemble Side Rails to Lower Bed Ends.

The diagram illustrates the assembly of the lower bed frame. Two side rails (7) are being attached to the lower bed ends (9). Allen keys (J) are used to insert bolts (A) through the side rails into the bed ends to secure them together.

**Step 2** Place Slats on Side Rails cleats. Use Screws as shown, tighten with Screwdriver.

The diagram shows the lower bed frame with slats (11) being placed across the side rails. Screws (D) are used to secure the slats to the side rails. The instruction indicates to use a screwdriver to tighten the screws.

**Step 3** Set up Upper Bed Ends to Lower Bed. Use metal pins as shown.

The diagram shows the upper bed ends (10) being attached to the lower bed frame. Metal pins (C) are used to secure the upper bed ends to the lower bed frame.


**Step 4** Assemble Side Rails & Guard Rails to upper Bed Ends.

NOTE:

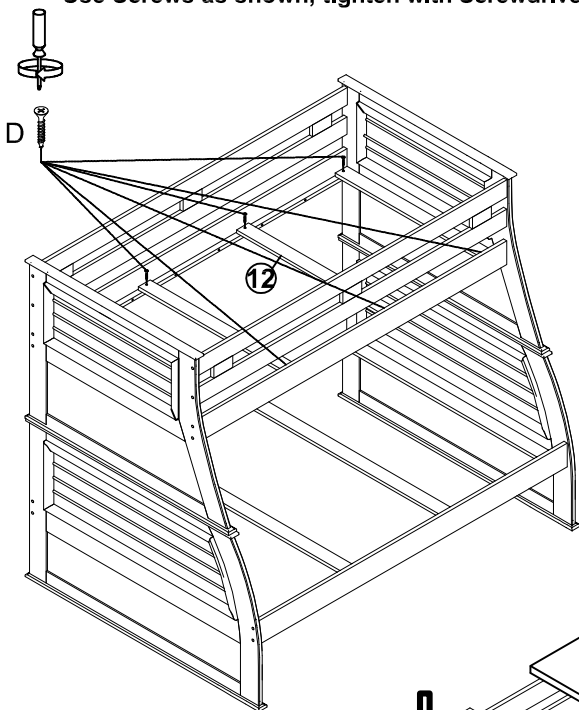
The diagram shows the side rails (8) and guard rails being attached to the upper bed ends. Allen keys (J) and bolts (A) are used to secure the rails to the upper bed ends. A note points to a detail of the rail attachment.

Thank you for purchasing this quality product. Be sure to check all packing material carefully for small parts which may have come loose inside the carton during shipment. Identify and count all parts and compare with the parts list. Read all instructions before assembling furniture and keep these instructions for future reference.

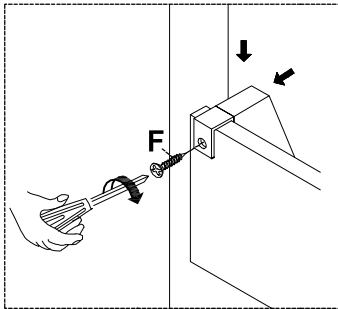
## ASSEMBLY INSTRUCTION

<b>SKU#36440941 GRAY &amp; 36440927 WHITE</b>			
<b>LADDER - HARDWARE LIST</b>			
PART NO.	PART	DESCRIPTION	QTY
F		Screw 5/32" x 5/8"	4 PCS

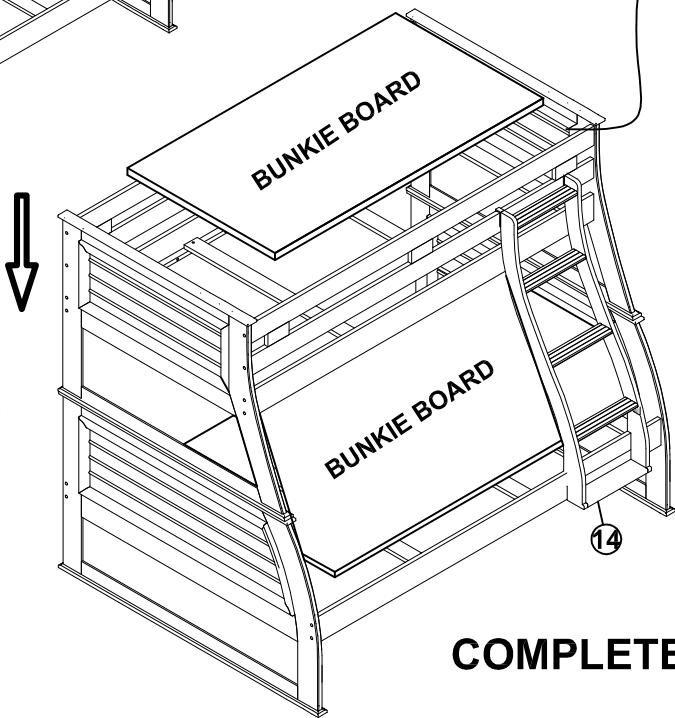
**Step 5** Place Slats on Upper Side Rails cleats.  
Use Screws as shown, tighten with Screwdriver.



**Step 6** Screw Ladder to Upper & Lower Side Rails,  
tighten with Screwdriver.



**Step 7**  
Place Twin Bunkie Board on upper Bunk &  
Full Bunkie Board on lower Bunk to  
complete assembly.



**COMPLETED**

**WARNING**  
The bed slats included with this bed will not support a mattress alone,  
this bed requires Bunkie Boards (Sold separately)