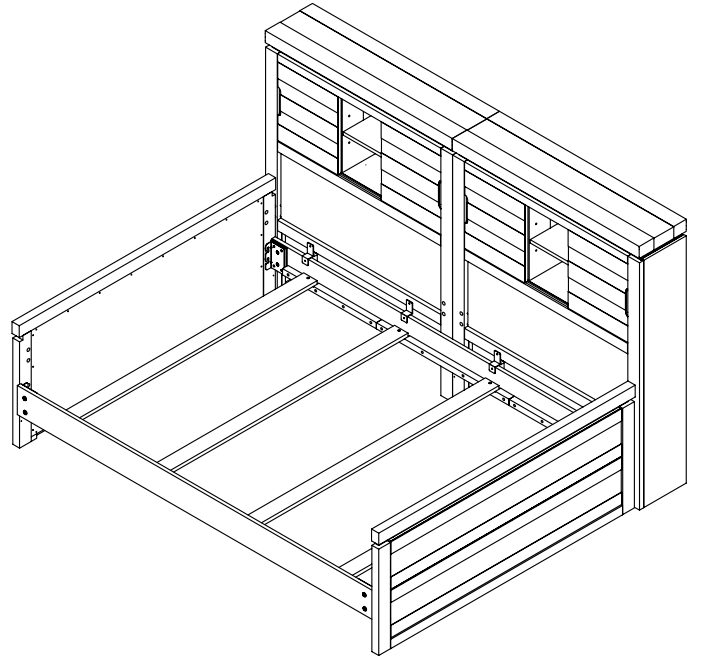
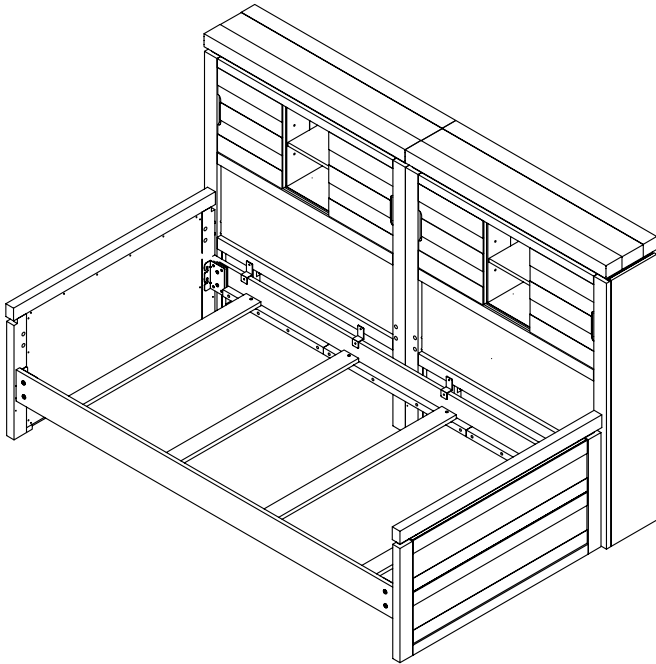


WESTOVER HILLS JR.

TWIN / FULL BOOKCASE WALL BED



3616710P RECLAIMED BROWN			
TWIN BOOKCASE WALL BED			
RTG SKU	STYLE#	ITEM DESCRIPTION	QTY
34667103	6710Y - 12A	Twin Bookcase Headboard	1 Pc
34667103	6710Y - 12A	Twin Bookcase Headboard	1 Pc
34767105	6710Y - 6A	Twin Footboard w/ 4 slats	1 Pc
34767105	6710Y - 6A	Twin Footboard w/ 4 slats	1 Pc
35167104	6710Y - 7	T/F Side rails 2 Pcs L & R	2 Pcs

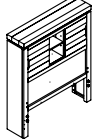
3617710P RECLAIMED GRAY			
TWIN BOOKCASE WALL BED			
RTG SKU	STYLE#	ITEM DESCRIPTION	QTY
34677104	7710Y - 12A	Twin Bookcase Headboard	1 Pc
34677104	7710Y - 12A	Twin Bookcase Headboard	1 Pc
34777106	7710Y - 6A	Full Footboard w/ 4 slats	1 Pc
34777106	7710Y - 6A	Full Footboard w/ 4 slats	1 Pc
35177105	7710Y - 7	T/F Side rails 2 Pcs L & R	2 Pcs

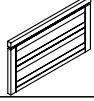

3626710P RECLAIMED BROWN			
FULL BOOKCASE WALL BED			
RTG SKU	STYLE#	ITEM DESCRIPTION	QTY
34667103	6710Y - 12A	Twin Bookcase Headboard	1 Pc
34667103	6710Y - 12A	Twin Bookcase Headboard	1 Pc
35067102	6710Y - 9A	Full Footboard w/ 4 slats	1 Pc
35067102	6710Y - 9A	Full Footboard w/ 4 slats	1 Pc
35167104	6710Y - 7	T/F Side rails 2 Pcs L & R	2 Pcs

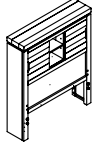
3627710P RECLAIMED GRAY			
FULL BOOKCASE WALL BED			
RTG SKU	STYLE#	ITEM DESCRIPTION	QTY
34677104	7710Y - 12A	Twin Bookcase Headboard	1 Pc
34677104	7710Y - 12A	Twin Bookcase Headboard	1 Pc
35077103	7710Y - 9A	Full Footboard w/ 4 slats	1 Pc
35077103	7710Y - 9A	Full Footboard w/ 4 slats	1 Pc
35177105	7710Y - 7	T/F Side rails 2 Pcs L & R	2 Pcs


This product is manufactured by ALAM for **ROOMS TO GO | KIDS**
 DO NOT USE SUBSTITUTE PARTS. PLEASE CONTACT YOUR RETAIL STORE OR WWW.ROOMSTOGO.COM
 WITH SERVICE OR PARTS REPLACEMENT REQUEST






Thank you for purchasing this quality product. Be sure to check all packing material carefully for small parts which may have come loose inside the carton during shipment. Identify and count all parts and compare with the parts list below. Read all instructions before assembling and keep these instructions for future reference.

TWIN BOOKCASE HEADBOARD PARTS LIST			
CODE	ITEM DESCRIPTION	IMAGE	QTY
A	1st Bookcase		1 Pc

TWIN / FULL PANEL FOOTBOARD PARTS LIST			
CODE	ITEM DESCRIPTION	IMAGE	QTY
C	Footboard		2 Pcs
D	Slats		4 Pcs

TWIN BOOKCASE HEADBOARD PARTS LIST			
CODE	ITEM DESCRIPTION	IMAGE	QTY
B	2nd Bookcase		1 Pc

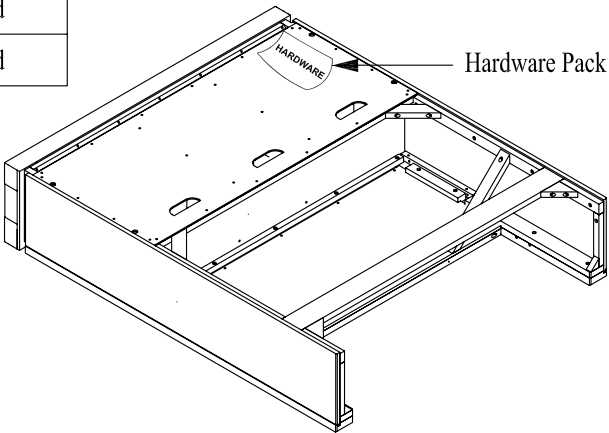
TWIN / FULL SIDE RAIL PARTS LIST			
CODE	ITEM DESCRIPTION	IMAGE	QTY
E	Side rails		2 Pcs

CODE	HARDWARE LIST		QTY PER HARDWARE PACK	QTY REQ. PER WALL BED
1	Allen Key 5 x 75 mm		1 Pc	1 Pc
2	Screw Ø8 x 5/8"		4 Pcs	8 Pcs
3	Connecting Plate 2.5 x 30 x 84 mm		2 Pcs	4 Pcs
4	Screwdriver (not included)			
	Furniture tipping restraint		1 Set	2 Set

Note :
There will be 4 pcs extra slats

HARDWARE PACK LOCATION

RTG SKU	STYLE#	ITEM DESCRIPTION
34667103	6710Y - 12A	Twin Bookcase Headboard
34677104	7710Y - 12A	Twin Bookcase Headboard



Hardware Pack Location

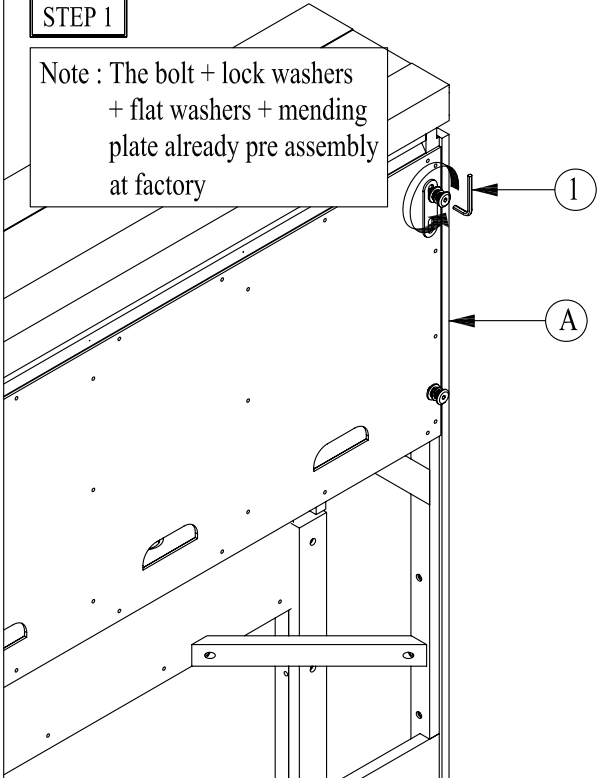
This product is manufactured by ALAM for **ROOMS TO GO | KIDS**
DO NOT USE SUBSTITUTE PARTS. PLEASE CONTACT YOUR RETAIL STORE OR WWW.ROOMSTOGO.COM
WITH SERVICE OR PARTS REPLACEMENT REQUEST

Thank you for purchasing this quality product. Be sure to check all packing material carefully for small parts which may have come loose inside the carton during shipment. Identify and count all parts and compare with the parts list below. Read all instructions before assembling and keep these instructions for future reference.

ASSEMBLY INSTRUCTIONS

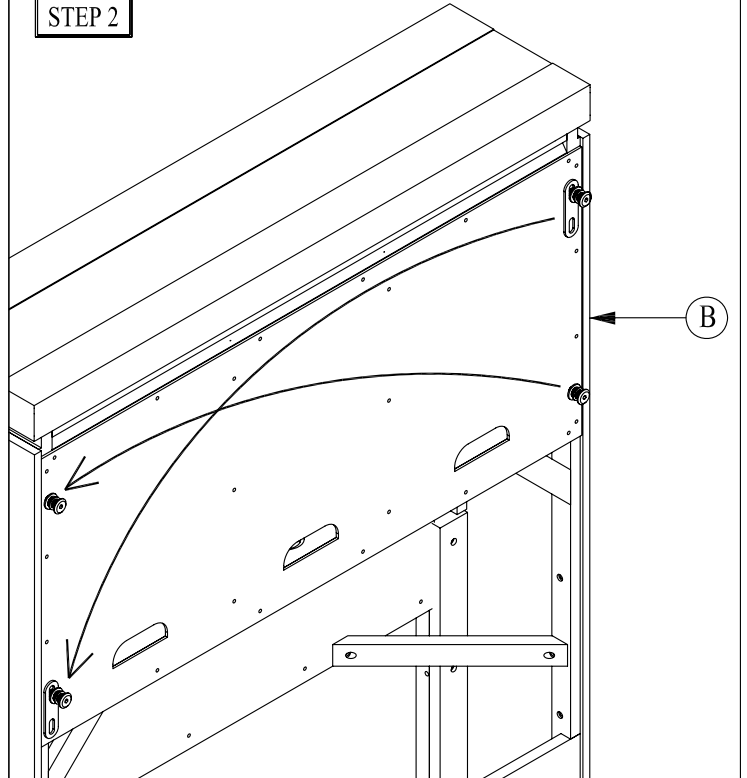
STEP 1

Note : The bolt + lock washers + flat washers + mending plate already pre assembly at factory



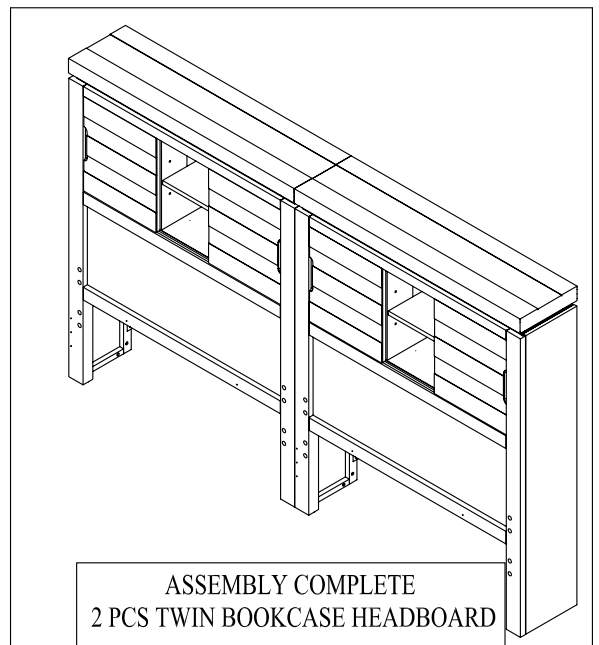
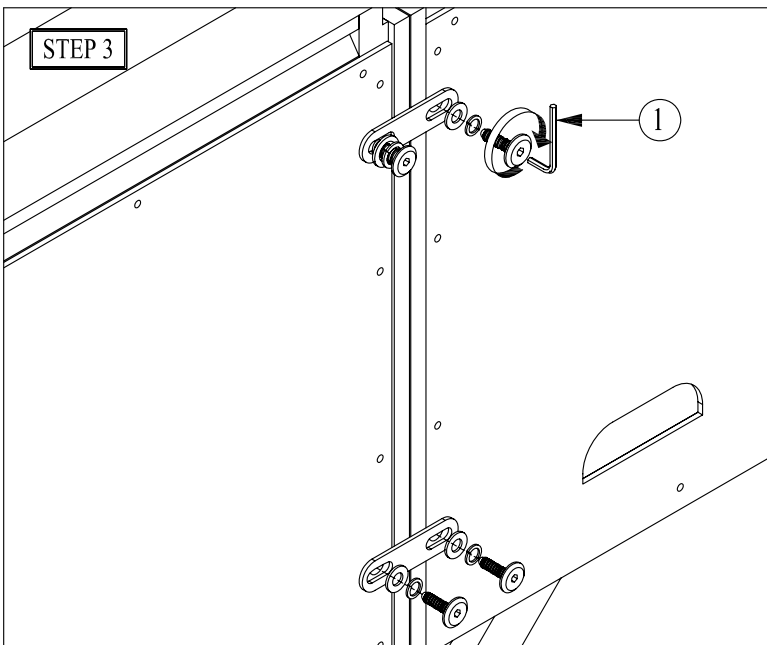
Slightly loose the bolts on the 1st bookcase headboard (A)

STEP 2



Remove mending plate + bolts + lock washers + flat washer on right 2nd bookcase headboard to left position

STEP 3

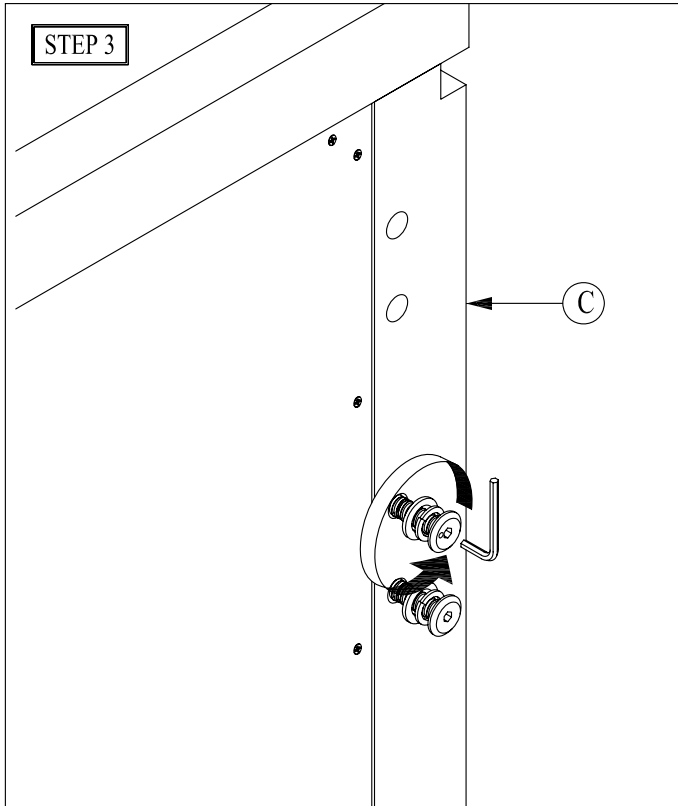


ASSEMBLY COMPLETE
2 PCS TWIN BOOKCASE HEADBOARD

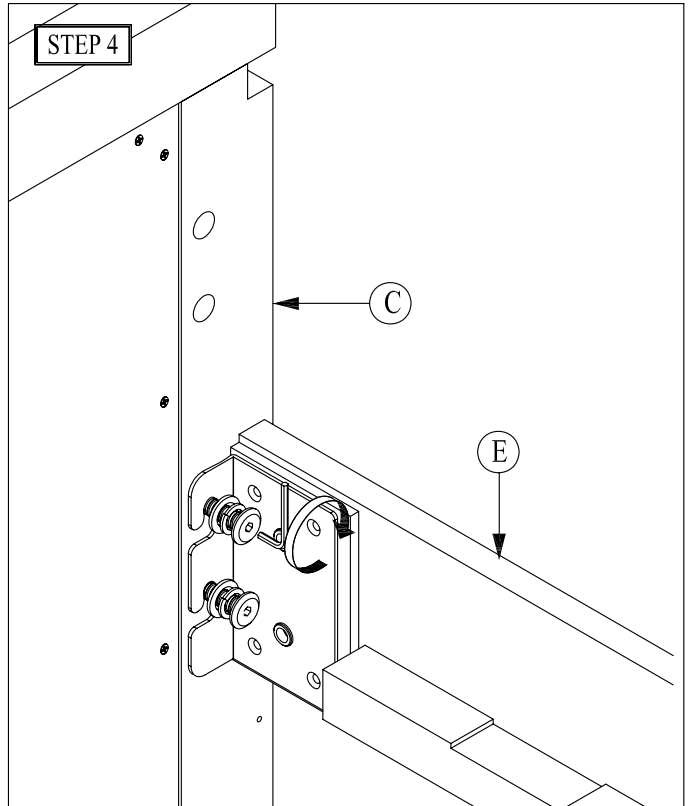
This product is manufactured by ALAM for **ROOMS TO GO | KIDS**
DO NOT USE SUBTITUTE PARTS. PLEASE CONTACT YOUR RETAIL STORE OR WWW.ROOMSTOGO.COM
WITH SERVICE OR PARTS REPLACEMENT REQUEST

Thank you for purchasing this quality product. Be sure to check all packing material carefully for small parts which may have come loose inside the carton during shipment. Identify and count all parts and compare with the parts list below. Read all instructions before assembling and keep these instructions for future reference.

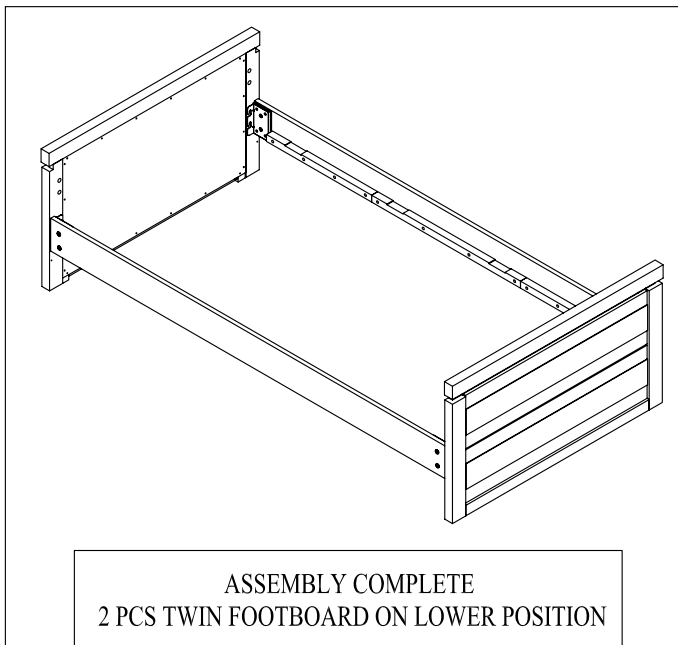
ASSEMBLY INSTRUCTIONS



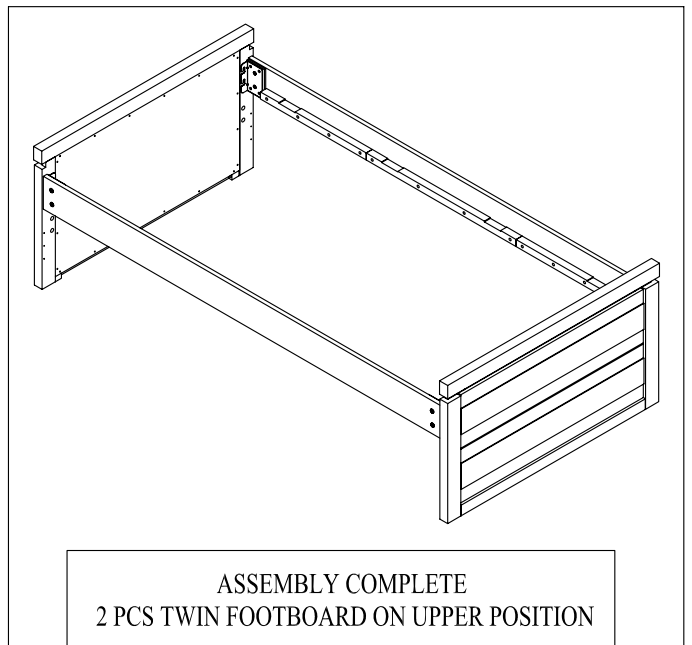
Slightly loose the bolt on the footboard (C)



Attach siderail (E) to footboard (C)



ASSEMBLY COMPLETE
2 PCS TWIN FOOTBOARD ON LOWER POSITION



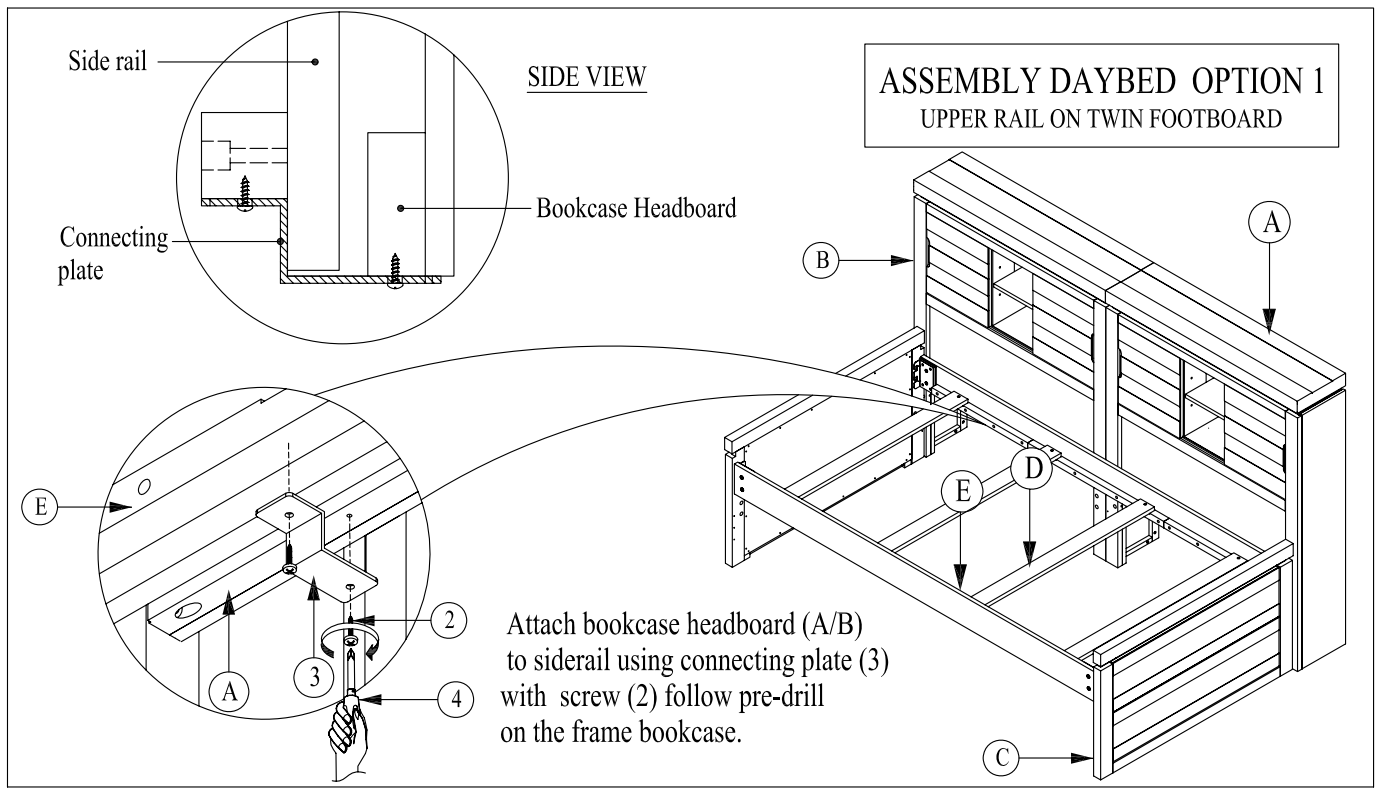
ASSEMBLY COMPLETE
2 PCS TWIN FOOTBOARD ON UPPER POSITION

This product is manufactured by ALAM for **ROOMS TO GO | KIDS**
DO NOT USE SUBTITUTE PARTS. PLEASE CONTACT YOUR RETAIL STORE OR WWW.ROOMSTOGO.COM
WITH SERVICE OR PARTS REPLACEMENT REQUEST

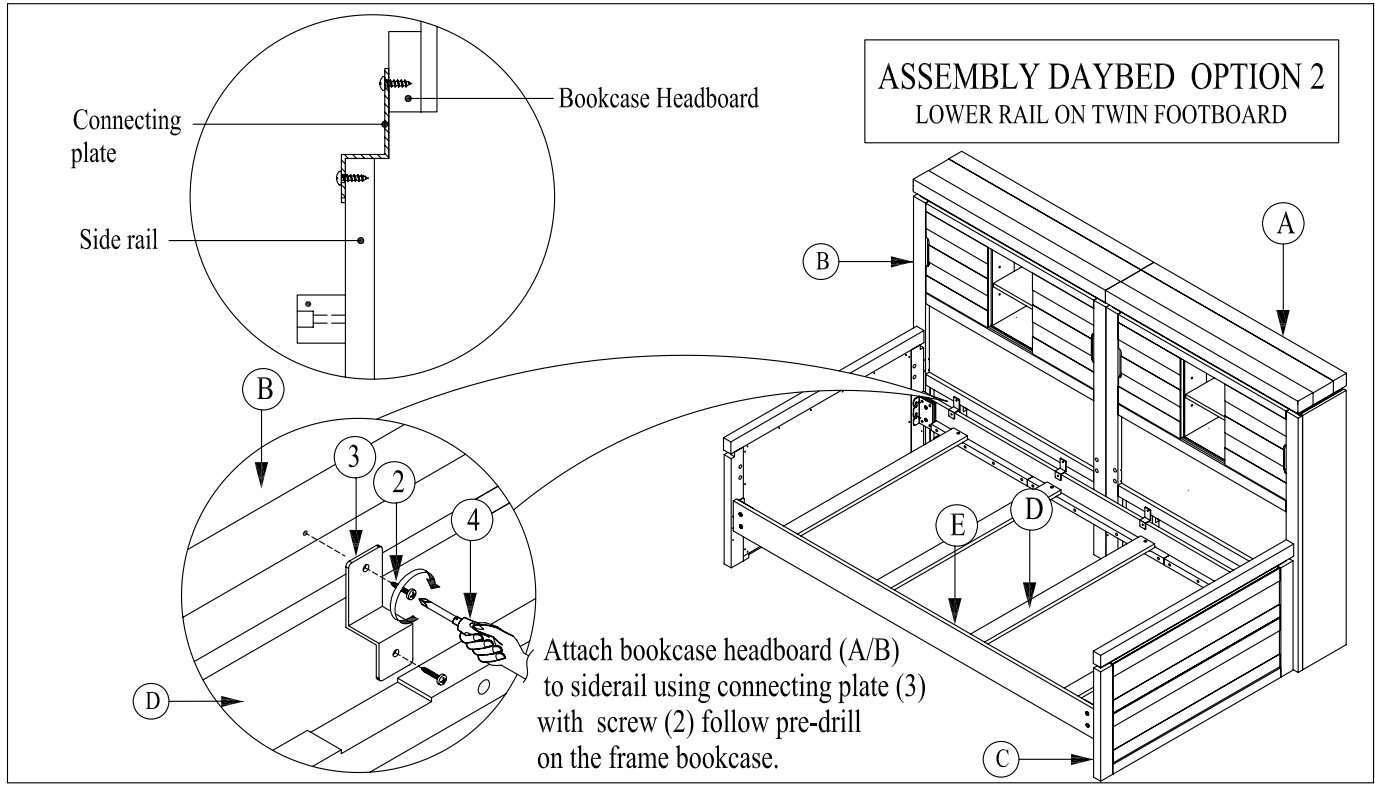
Thank you for purchasing this quality product. Be sure to check all packing material carefully for small parts which may have come loose inside the carton during shipment. Identify and count all parts and compare with the parts list below. Read all instructions before assembling and keep these instructions for future reference.

ASSEMBLY INSTRUCTIONS

ASSEMBLY DAYBED OPTION 1 UPPER RAIL ON TWIN FOOTBOARD



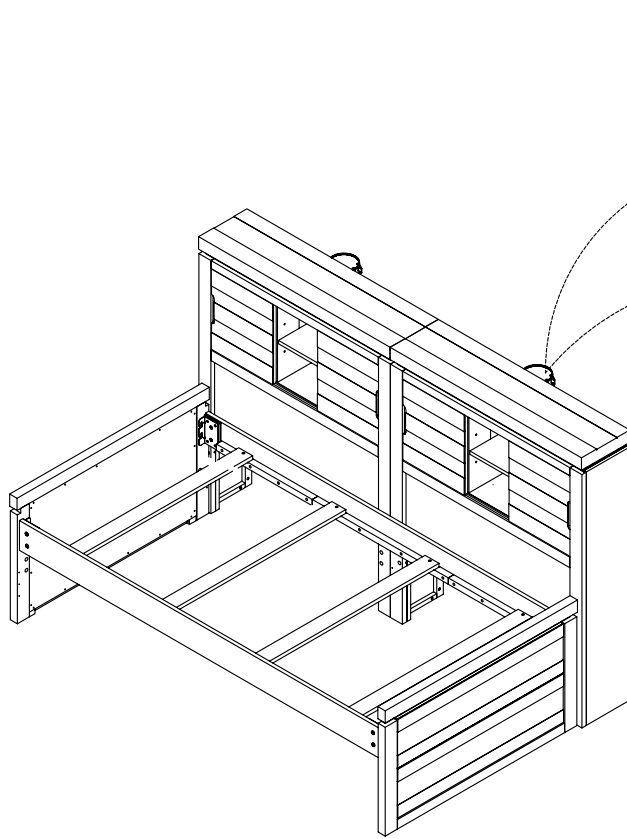
ASSEMBLY DAYBED OPTION 2 LOWER RAIL ON TWIN FOOTBOARD



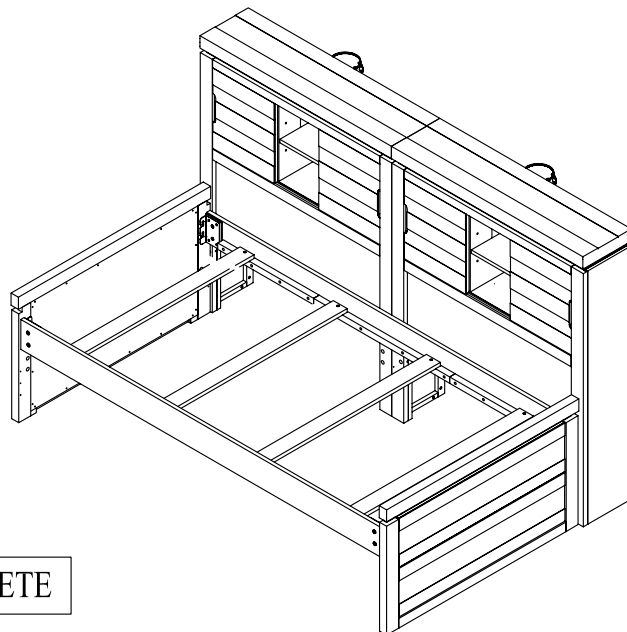
This product is manufactured by ALAM for **ROOMS TO GO | KIDS™**
 DO NOT USE SUBTITUTE PARTS. PLEASE CONTACT YOUR RETAIL STORE OR WWW.ROOMSTOGO.COM
 WITH SERVICE OR PARTS REPLACEMENT REQUEST

Thank you for purchasing this quality product. Be sure to check all packing material carefully for small parts which may have come loose inside the carton during shipment. Identify and count all parts and compare with the parts list below. Read all instructions before assembling and keep these instructions for future reference.

ASSEMBLY INSTRUCTIONS



Note : Screw driver is not included



ASSEMBLY COMPLETE

This product is manufactured by ALAM for **ROOMS TO GO | KIDS™**
DO NOT USE SUBSTITUTE PARTS. PLEASE CONTACT YOUR RETAIL STORE OR WWW.ROOMSTOGO.COM
WITH SERVICE OR PARTS REPLACEMENT REQUEST