

ROOMS TO GO  
**KIDS**  
Manufactured for Rooms to Go

# IVY LEAGUE 2.0 COLLECTION

THANK YOU FOR YOUR PURCHASE



**WARNING DANGER**

Failure to follow these warnings and assembly instructions could result in serious injury or death. To help prevent serious or fatal injuries from entrapment or falls:

- Read all instructions before assembling bunk bed and keep these instructions for future reference.
- Before each usage or assembly, inspect bunk bed for damaged hardware, loose joints, missing parts, or sharp edges. **DO NOT** Use bunk bed if any parts are missing or broken.
- **DO NOT** Use substitute parts. Contact your local Rooms To Go or visit [www.ROOMSTOGO.COM](http://www.ROOMSTOGO.COM) for replacement parts and instructional literature if needed.
- Follow the information on the warnings appearing on the upper bunk end structure and on the carton, **DO NOT REMOVE WARNING LABEL FROM BED.**
- Always use the recommended size mattress or mattress supports, or both to help prevent the likelihood of entrapment or falls.
- Ensure thickness of mattress and foundation combine does not exceed **10 inches (255mm)** and mattress surface is at least **5 inches (127mm)** below upper edge of guardrails.
- Do not allow children under 6 years of age to use the upper bunk.
- Periodically check and ensure that the guardrail, ladder, and other components are in their proper position, free from damage, and that all connectors are tight.
- Do not allow horseplay on or under the bed and prohibit jumping on the bed.
- Limit top bunk use to one person.
- Always use the ladder for entering and leaving the upper bunk.
- Use of night light may provide added safety precaution for a child using the upper bunk.
- Always use guardrails on both long sides of the upper bunk. If the bunk bed will be placed next to the wall, the guardrail that runs the full length of the bed should be placed against the wall to prevent entrapment between the bed and wall.
- The use of water or sleep flotation mattress is prohibited.
- This bunk bed meets all the requirements of ASTM 1427-19.



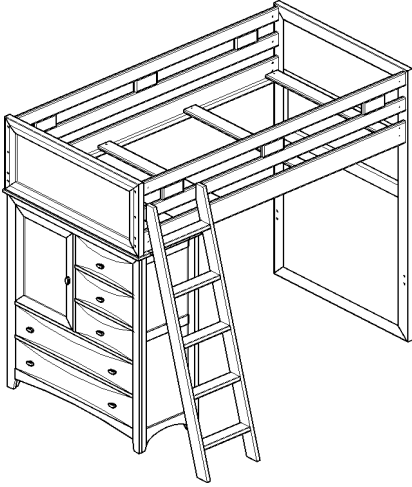
**STRANGULATION HAZARD:**

Never attach or hang items to any part of the bunk bed that are not designed for use with the bed; for example, but not limited to, hooks, belts, and jump ropes.

# CONFIGURATIONS

Choose your configuration, read all the instructions, identify all components, and be sure you have all parts prior to assembly

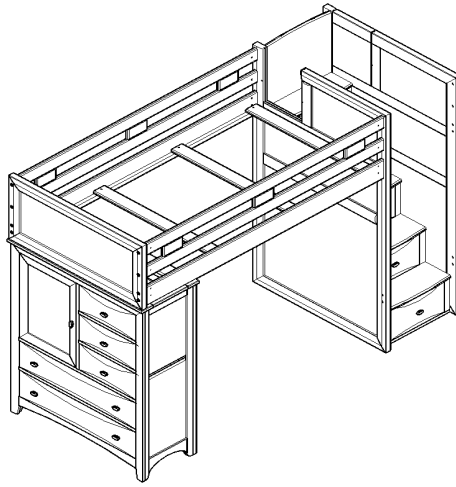
Reference page 3-5 for assembly steps



TWIN LOFT W/CHEST

3502360P WALNUT 3501326P WHITE

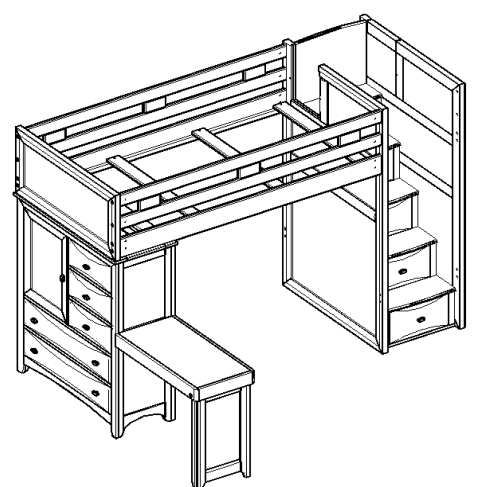
Reference page 6-8 for assembly steps



TWIN STEP LOFT W/CHEST

3572360P WALNUT 3571326P WHITE

Reference page 9-12 for assembly steps



TWIN STEP LOFT W/CHEST & DESK ATTACHMENT

3582360P WALNUT 3581326P WHITE

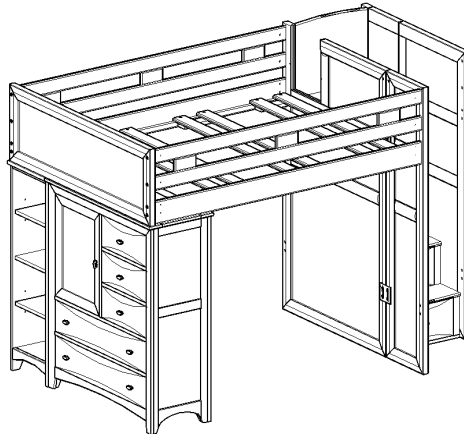
Reference page 13-16 for assembly steps



FULL LOFT W/CHEST-BOOKCASE

3542360P WALNUT 3541326P WHITE

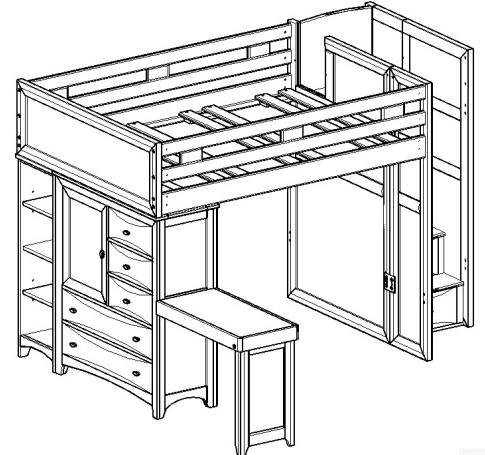
Reference page 17-23 for assembly steps



FULL STEP LOFT W/CHEST-BOOKCASE

3632360P WALNUT 3631326P WHITE

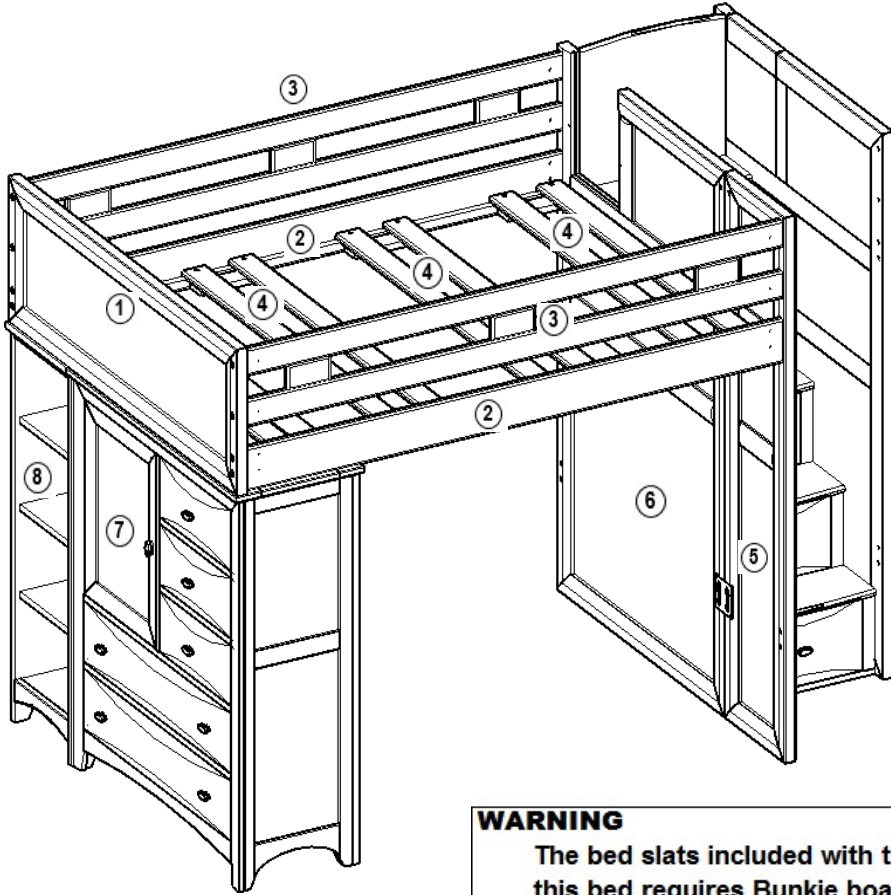
Reference page 24-32 for assembly steps



FULL STEP LOFT W/CHEST-BOOKCASE & DESK ATTACHMENT

3642360P WALNUT 3641326P WHITE


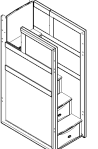

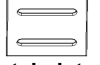



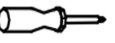




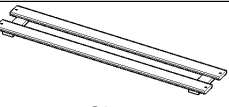
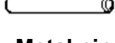



# PARTS LIST



3632360P FULL STEP LOFT W/CHEST & BOOKCASE WALNUT		
RTG SKU #	STYLE #	ITEM DESCRIPTION
35723609	3260160	STEP BUNK UNIT
35823601	3260703	FULL TOP BUNKBED END
36523606	3260731	2 SIDE RLS/2 GUARD RLS
35923603	3260711	5 DRW. LOFT CHEST
36023606	3260760	LOFT BOOKSHELF
36423604	3260783	FULL/FULL EXT. KIT
38300238	100-648	FULL BUNK SLATS

3631326P FULL STEP LOFT W/CHEST & BOOKCASE WHITE		
RTG SKU #	STYLE #	ITEM DESCRIPTION
35713266	3261160	STEP BUNK UNIT
35813268	3261703	FULL TOP BUNKBED END
36513263	3261731	2 SIDE RLS/2 GUARD RLS
35913260	3261711	5 DRW. LOFT CHEST
36013263	3261760	LOFT BOOKSHELF
36413261	3261783	FULL/FULL EXT. KIT
38300238	100-648	FULL BUNK SLATS

**WARNING**  
 The bed slats included with this bed will not support a mattress alone, this bed requires Bunkie boards (sold separately)

PARTS LIST		QTY	PARTS LIST		QTY	HARDWARE LIST		QTY	HARDWARE LIST		QTY
1		1 Pc	6		1 Pc	A		16 Pcs	G		2 Pcs
2		2 Pc	7		1 Pc	B		1 Pc	<b>TOOLS NEEDED</b> Phillips screwdriver (not included)  Allen wrench (included) 		
3		2 Pc	8		1 Pc	C		8 Pcs			
4		4 Pc				D		2 Pcs			
5		1 Pc				E		8 Pcs			
						F		8 Pcs			

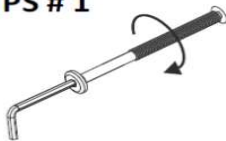
**TWO PEOPLE ARE NEEDED TO ASSEMBLE  
 DO NOT TIGHTEN COMPLETELY UNTIL ALL PIECES  
 ARE CONNECTED TOGETHER**

# ASSEMBLY INSTRUCTIONS

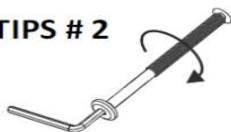
TIPS : SEE ILLUSTRATION BELOW

- 1- Use the long end of the allen wrench to fasten bolts loosely and quickly.
- 2- Use the short end of the allen wrench for final tightening

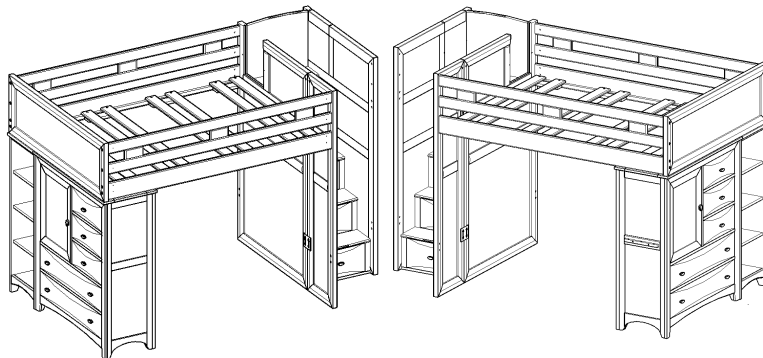
TIPS # 1



TIPS # 2



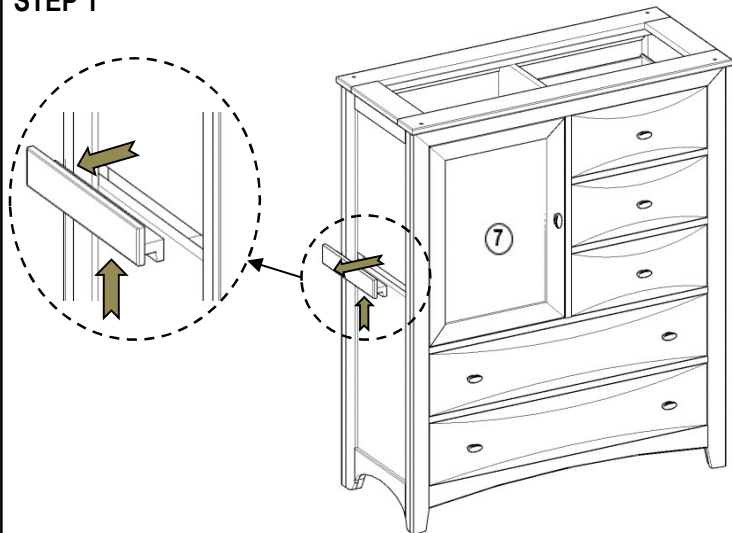
FIRST DETERMINE THE CONFIGURATION THAT FITS YOUR ROOM



STAIRS ON THE RIGHT  
(Factory setting)  
Step 1-11

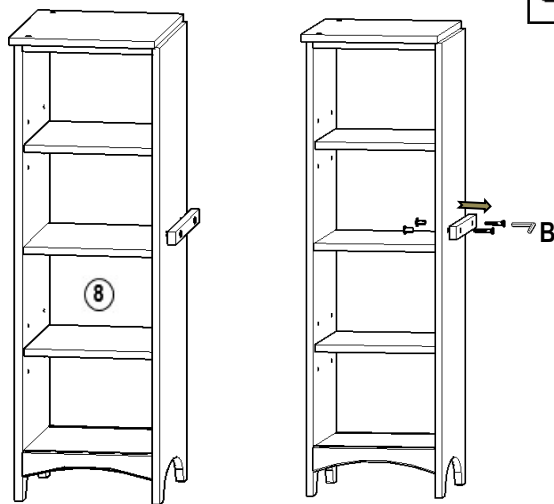
STAIRS ON THE LEFT  
Step 12-23

STEP 1



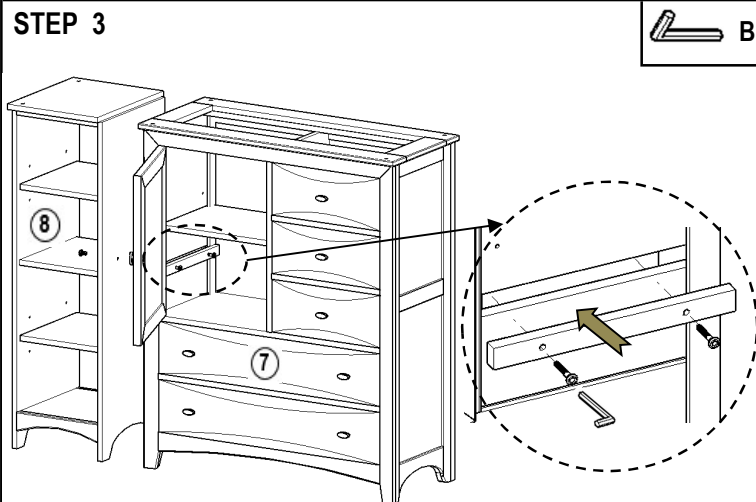
Remove center molding by lifting up then pulling out.

STEP 2



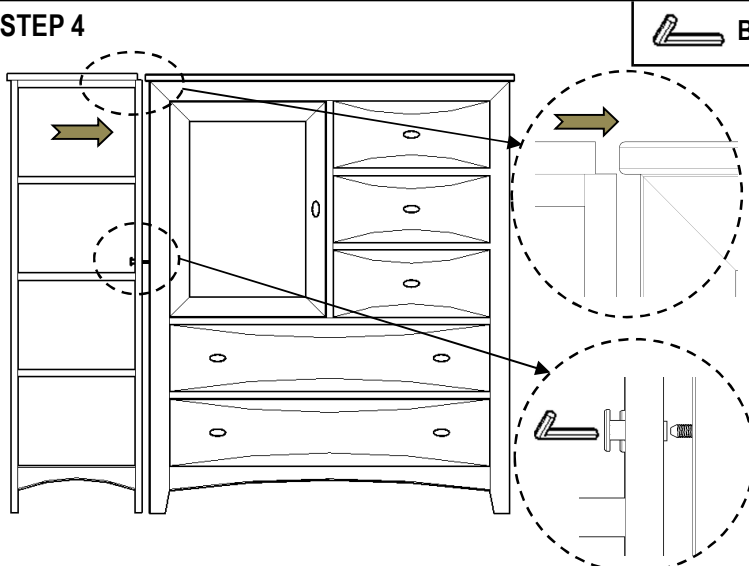
Remove fastening board and save for next step.

STEP 3



Assemble left bookshelf and left chest, using the fastening board and bolts previously removed as shown.

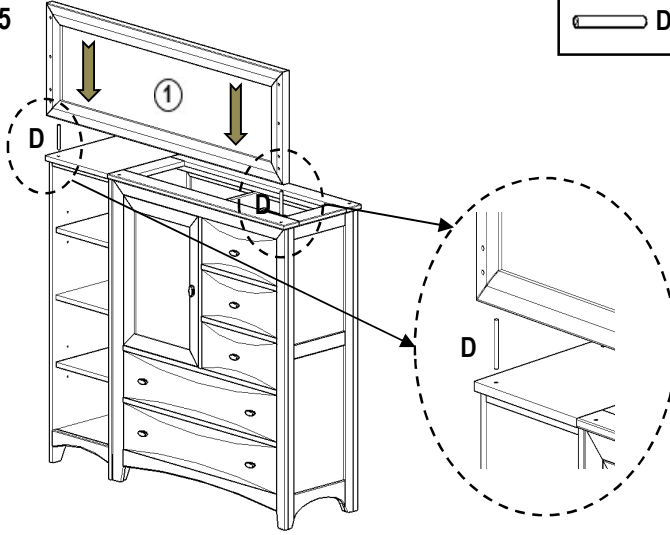
STEP 4



Align both pieces and tight completely.

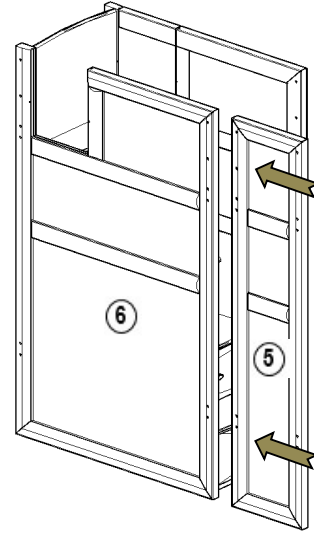
# ASSEMBLY INSTRUCTIONS

STEP 5



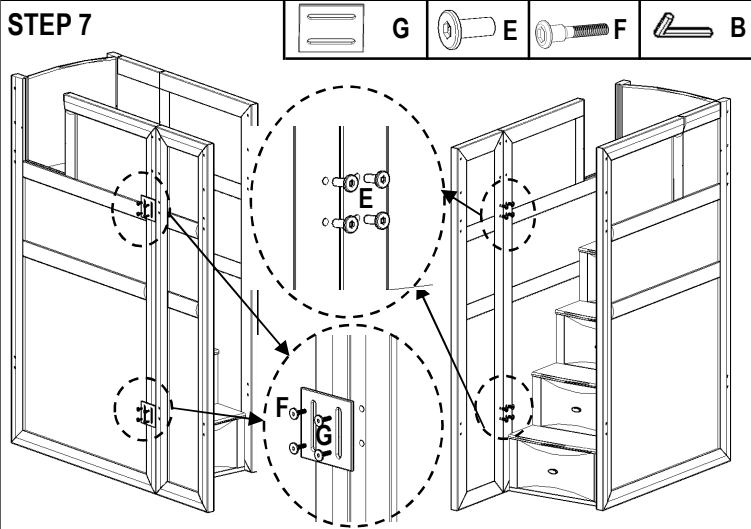
Assemble loft chest/loft bookshelf and top bunk bed end.

STEP 6



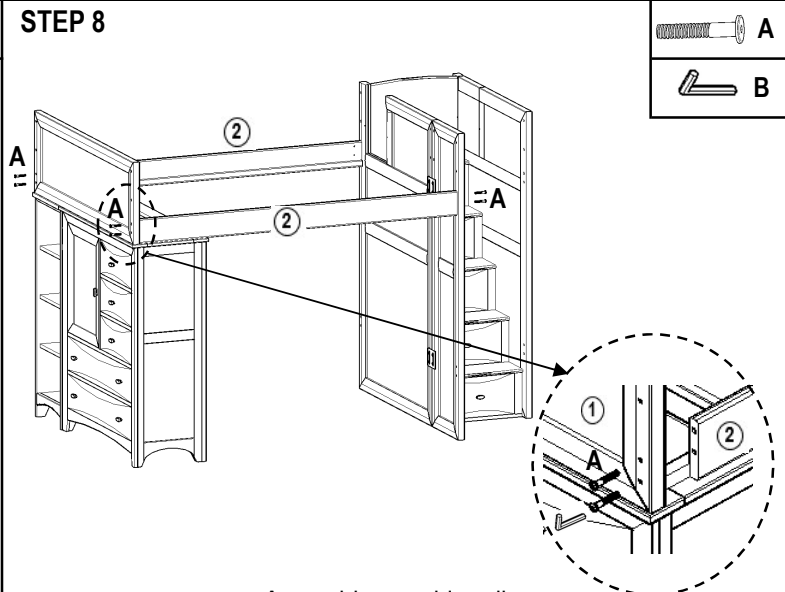
Assemble step bunk unit and extension kit, aligning inside and outside pattern and holes.

STEP 7



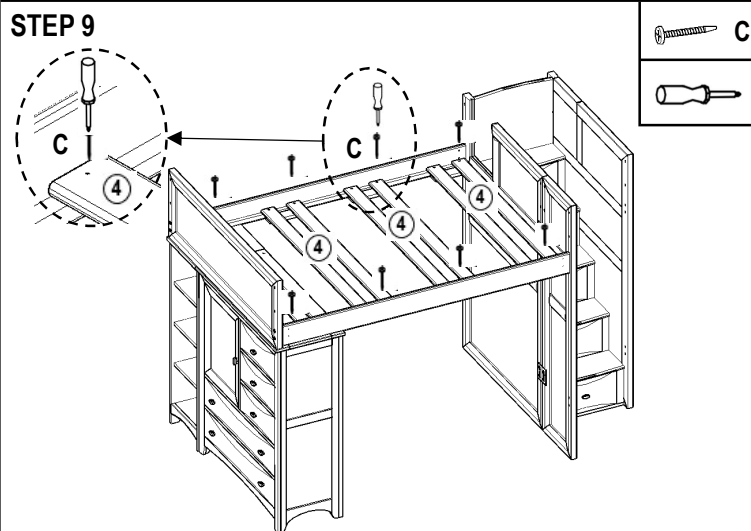
Fasten and make sure all bolts are tightened completely.

STEP 8



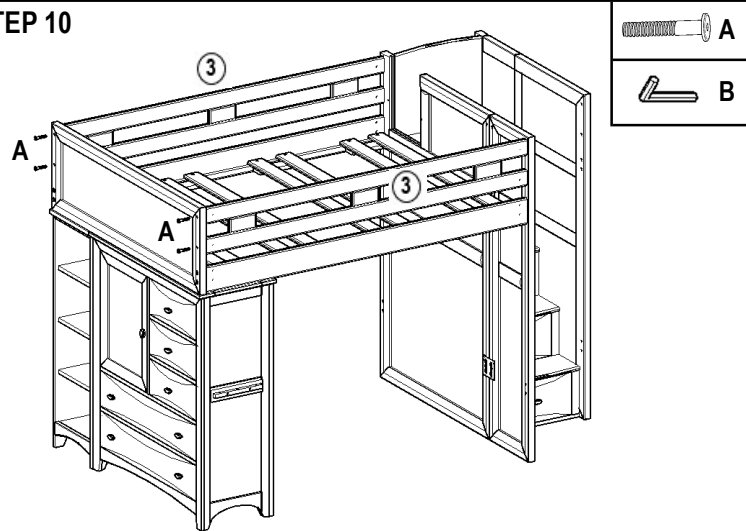
Assemble top side rails.

STEP 9



Install slats, one on each end, two equally spaced in the middle, then fasten with 1 1/4" screws.

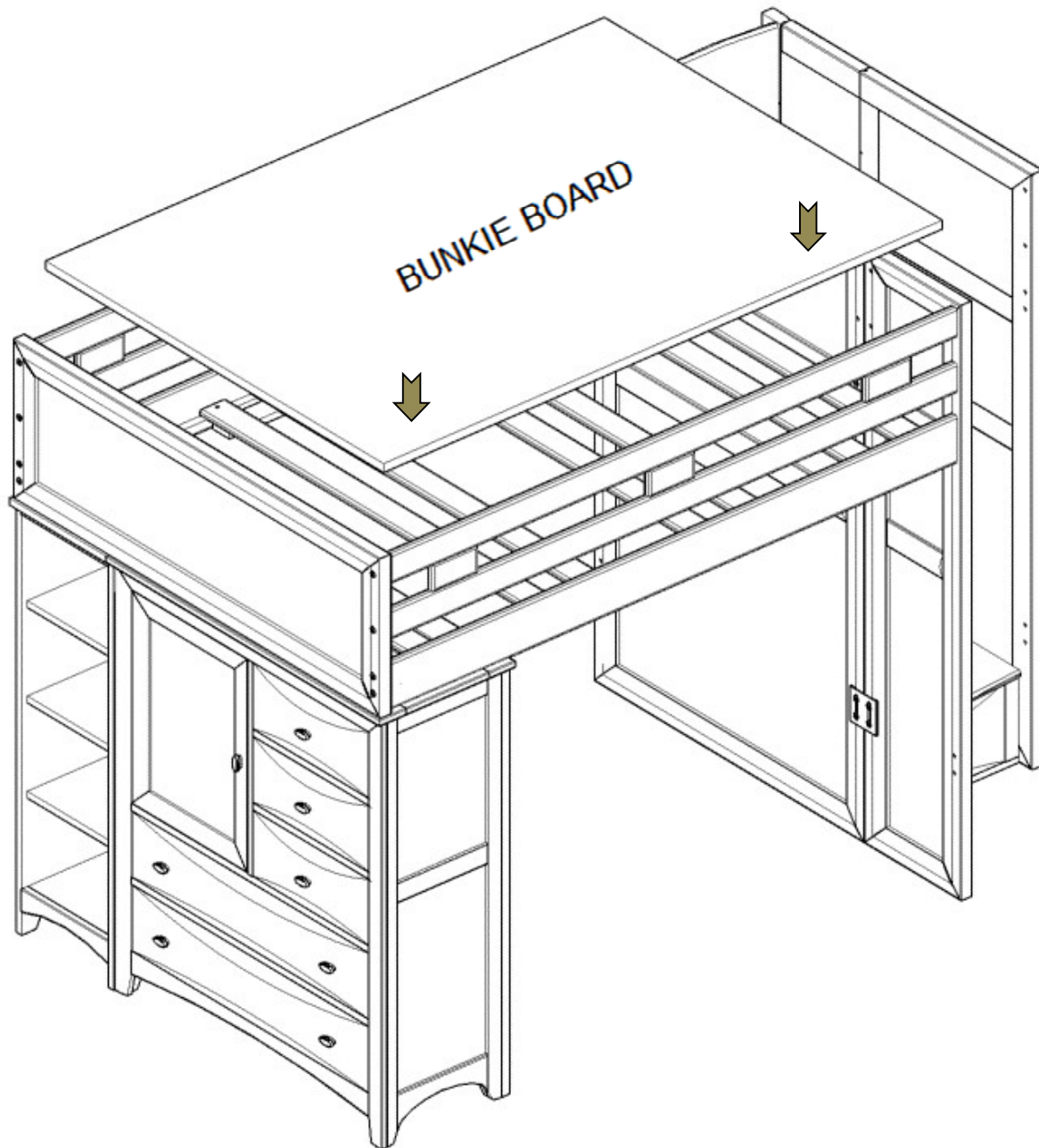
STEP 10



Assemble guardrails and tighten all bolts.  
**MAKE SURE ALL BOLTS ARE TIGHTENED COMPLETELY**

# ASSEMBLY INSTRUCTIONS

## STEP 11



**Place Bunkie boards (required, sold separately) on top of the slats**

**Use only correct mattress dimensions and Bunkie board:**

Twin size mattress- 74" - 75" long and 37-1/2" - 38-1/2" wide

Twin size Bunkie board- 74" long and 37-1/2" wide

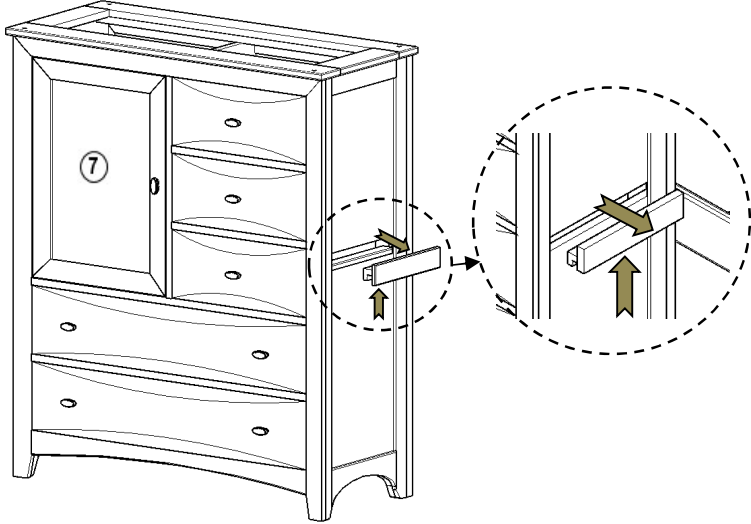
Full size mattress- 74" - 75" long and 52-1/2" - 53-1/2" wide

Full size Bunkie board- 74" long and 52-1/2" wide

PLEASE CONTACT YOUR RETAIL STORE WITH SERVICE OR PARTS REPLACEMENT REQUEST

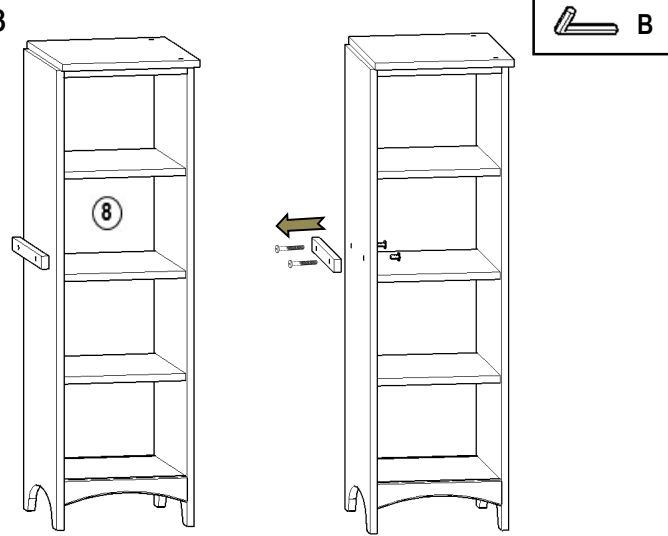
# ASSEMBLY INSTRUCTIONS

## STEP 12



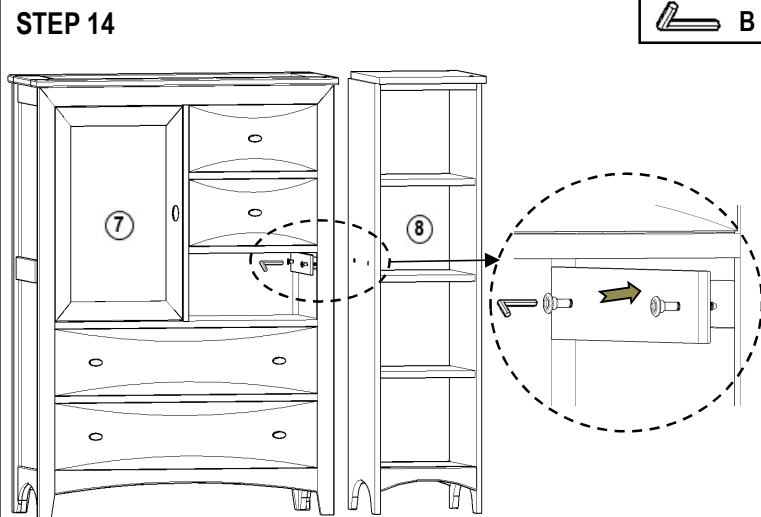
Remove center molding by lifting up then pulling out.

## STEP 13



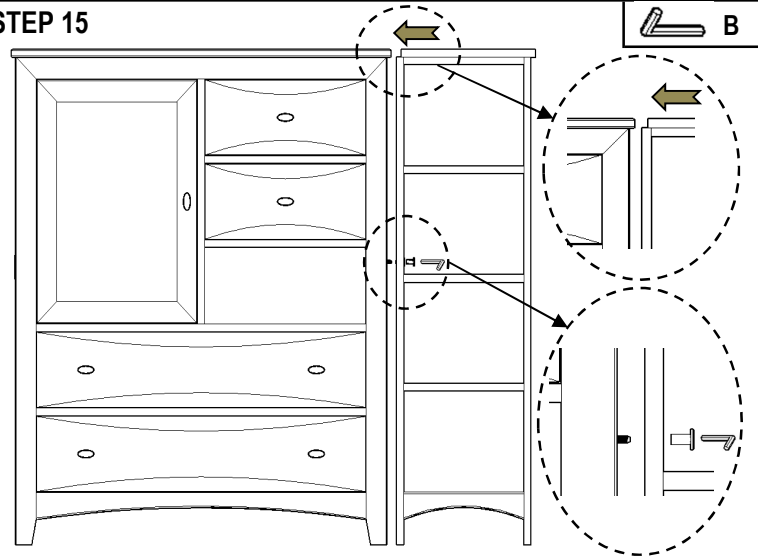
Remove fastening board and save for next step.

## STEP 14



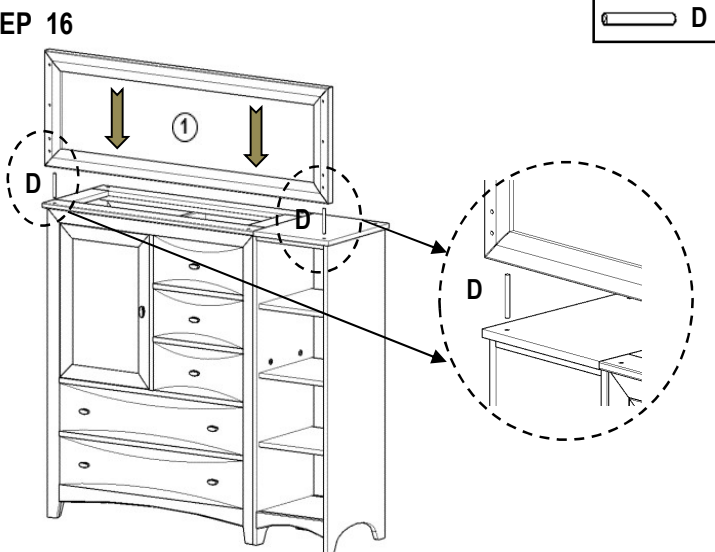
To assemble loft bookshelf and loft chest, first remove 3rd drawer and then use the fastening board and bolts previously removed as shown.

## STEP 15



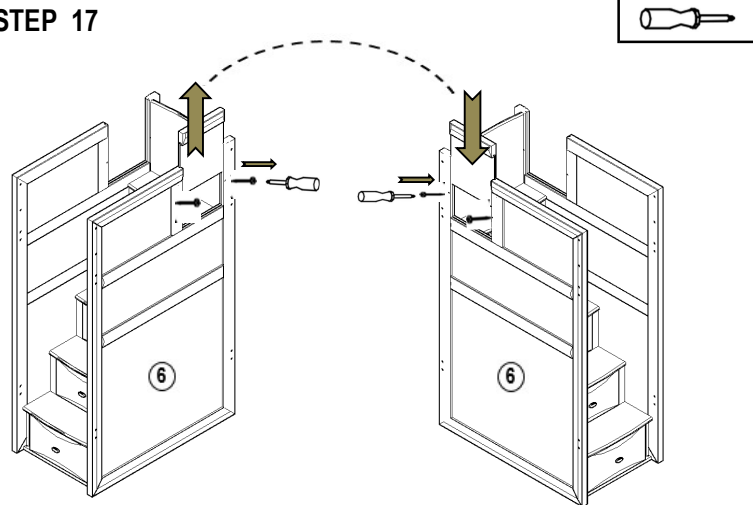
Align both pieces and tight completely.

## STEP 16



Assemble loft chest/loft bookshelf and top bunk bed end.

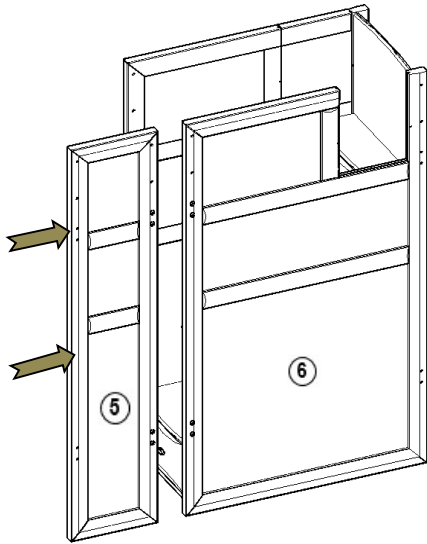
## STEP 17



For stairs on the left, first remove the screws, then remove the panel and install it on the other side and secure with the screws.

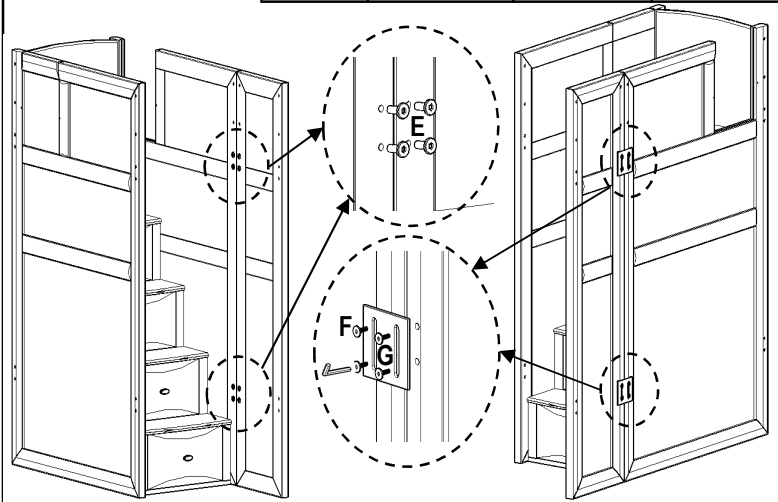
# ASSEMBLY INSTRUCTIONS

## STEP 18



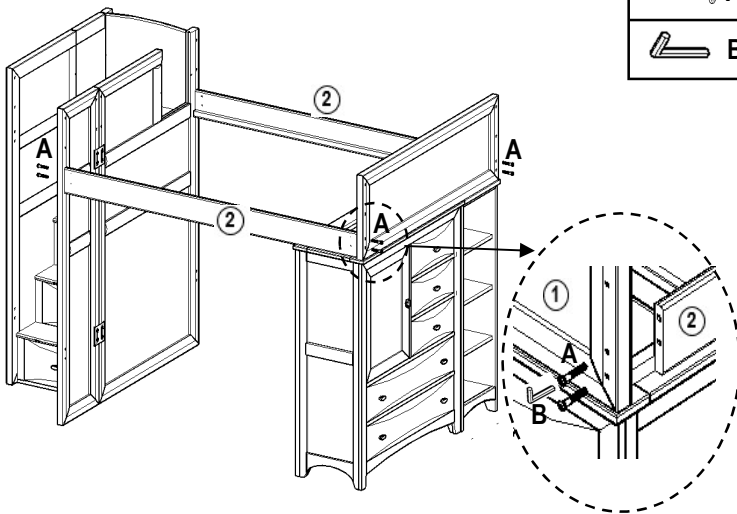
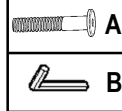
Assemble step bunk unit and extension kit, aligning inside and outside patterns and holes.

## STEP 19



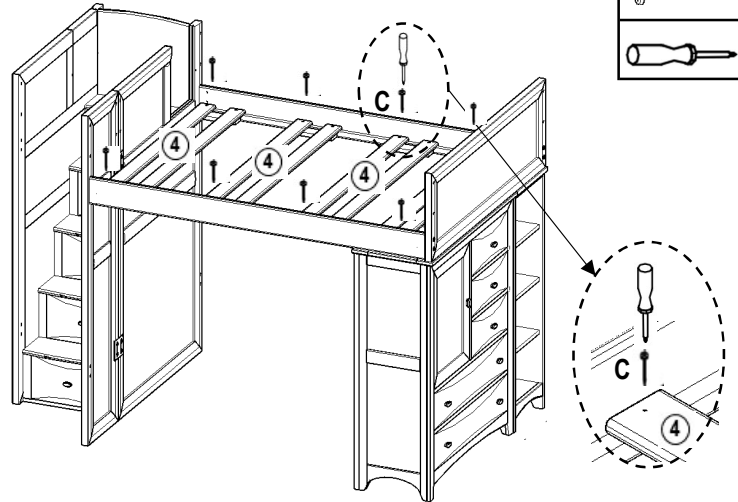
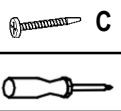
Fasten and make sure all bolts are tightened completely.

## STEP 20



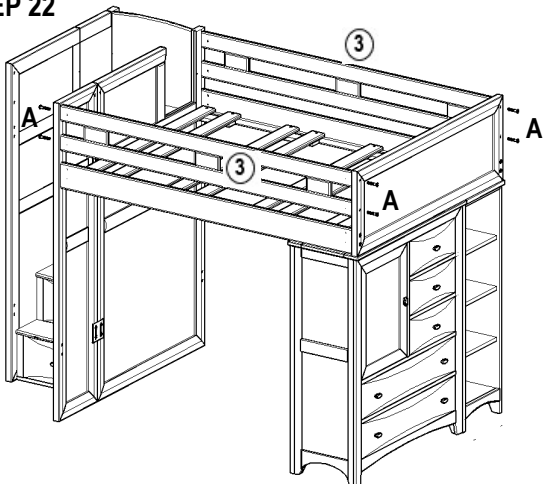
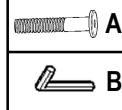
Assemble top side rails.

## STEP 21



Install slats, one on each end, two equally spaced in the middle, then fasten with 1 1/4" screws.

## STEP 22

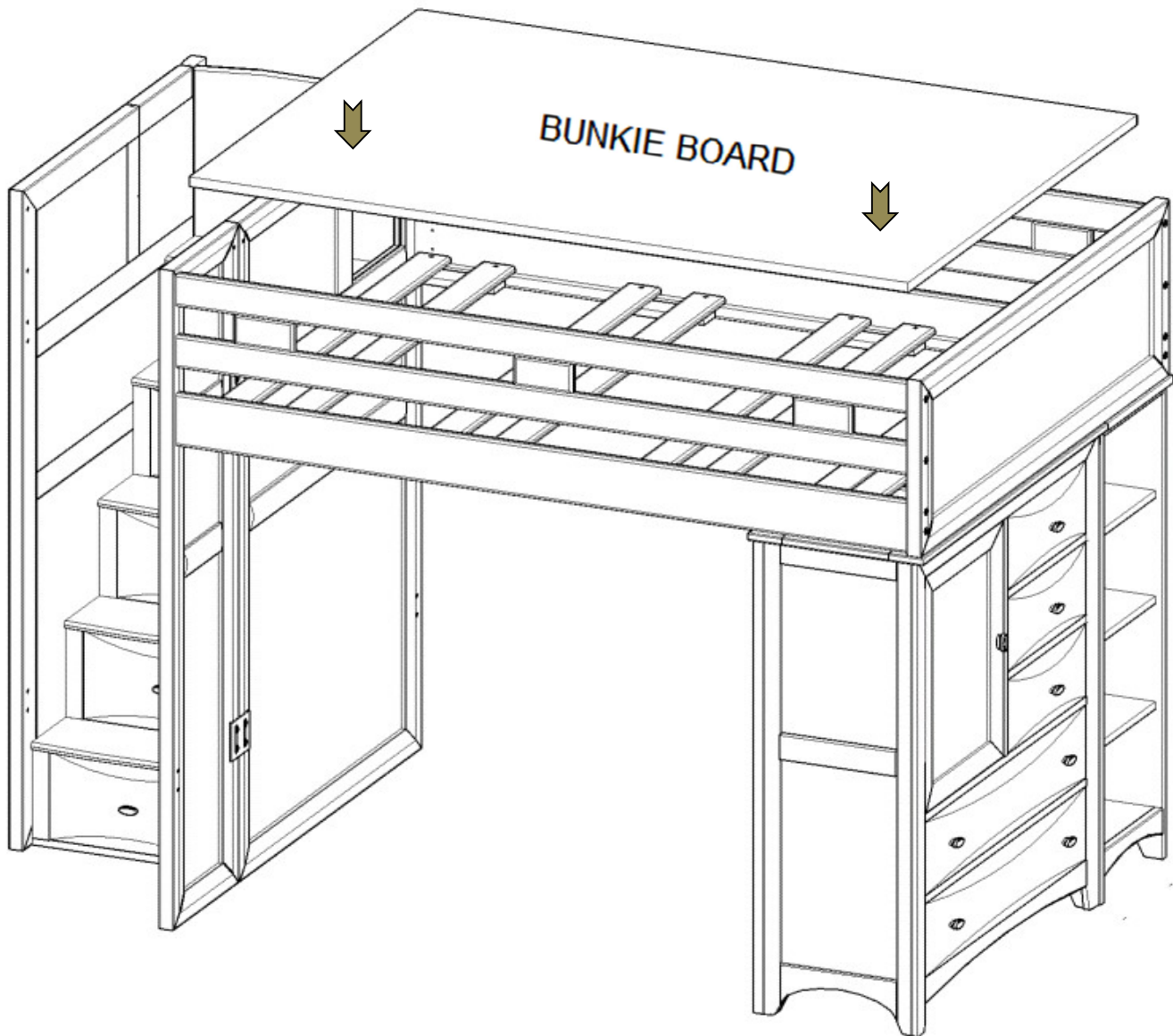


Assemble guardrails and tighten all bolts.

**MAKE SURE ALL BOLTS ARE TIGHTENED COMPLETELY**

# ASSEMBLY INSTRUCTIONS

## STEP 23



**Place Bunkie boards (required, sold separately) on top of the slats**

**Use only correct mattress dimensions and Bunkie board:**

Twin size mattress- 74" - 75" long and 37-1/2" - 38-1/2" wide

Twin size Bunkie board- 74" long and 37-1/2" wide

Full size mattress- 74" - 75" long and 52-1/2" - 53-1/2" wide

Full size Bunkie board- 74" long and 52-1/2" wide

PLEASE CONTACT YOUR RETAIL STORE WITH SERVICE OR PARTS REPLACEMENT REQUEST