

ROOMS TO GO
KIDS
Manufactured for Rooms to Go

IVY LEAGUE 2.0 COLLECTION

THANK YOU FOR YOUR PURCHASE



WARNING DANGER

Failure to follow these warnings and assembly instructions could result in serious injury or death. To help prevent serious or fatal injuries from entrapment or falls:

- Read all instructions before assembling bunk bed and keep these instructions for future reference.
- Before each usage or assembly, inspect bunk bed for damaged hardware, loose joints, missing parts, or sharp edges. **DO NOT** Use bunk bed if any parts are missing or broken.
- **DO NOT** Use substitute parts. Contact your local Rooms To Go or visit www.ROOMSTOGO.COM for replacement parts and instructional literature if needed.
- Follow the information on the warnings appearing on the upper bunk end structure and on the carton, **DO NOT REMOVE WARNING LABEL FROM BED.**
- Always use the recommended size mattress or mattress supports, or both to help prevent the likelihood of entrapment or falls.
- Ensure thickness of mattress and foundation combine does not exceed **10 inches (255mm)** and mattress surface is at least **5 inches (127mm)** below upper edge of guardrails.
- Do not allow children under 6 years of age to use the upper bunk.
- Periodically check and ensure that the guardrail, ladder, and other components are in their proper position, free from damage, and that all connectors are tight.
- Do not allow horseplay on or under the bed and prohibit jumping on the bed.
- Limit top bunk use to one person.
- Always use the ladder for entering and leaving the upper bunk.
- Use of night light may provide added safety precaution for a child using the upper bunk.
- Always use guardrails on both long sides of the upper bunk. If the bunk bed will be placed next to the wall, the guardrail that runs the full length of the bed should be placed against the wall to prevent entrapment between the bed and wall.
- The use of water or sleep flotation mattress is prohibited.
- This bunk bed meets all the requirements of ASTM 1427-19.



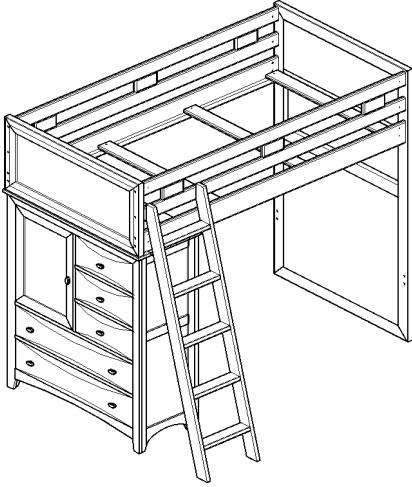
STRANGULATION HAZARD:

Never attach or hang items to any part of the bunk bed that are not designed for use with the bed; for example, but not limited to, hooks, belts, and jump ropes.

CONFIGURATIONS

Choose your configuration, read all the instructions, identify all components, and be sure you have all parts prior to assembly

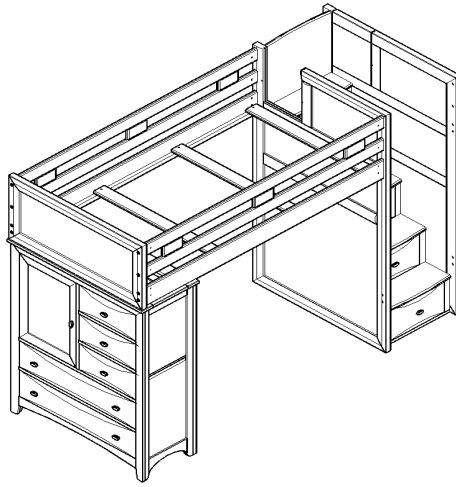
Reference page 3-5 for assembly steps



TWIN LOFT W/CHEST

3502360P WALNUT 3501326P WHITE

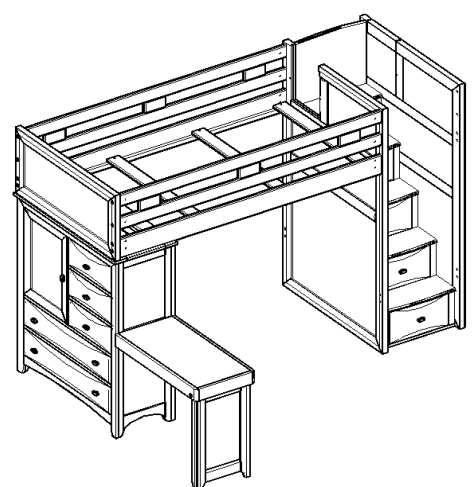
Reference page 6-8 for assembly steps



TWIN STEP LOFT W/CHEST

3572360P WALNUT 3571326P WHITE

Reference page 9-12 for assembly steps



TWIN STEP LOFT W/CHEST & DESK ATTACHMENT

3582360P WALNUT 3581326P WHITE

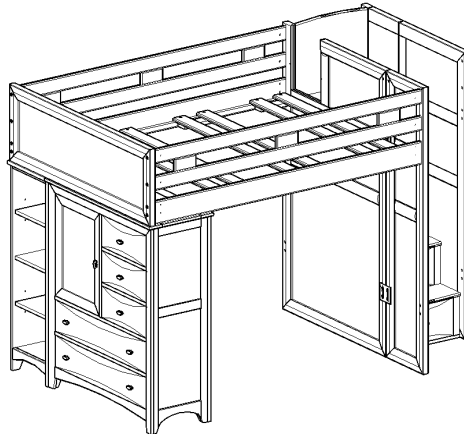
Reference page 13-16 for assembly steps



FULL LOFT W/CHEST-BOOKCASE

3542360P WALNUT 3541326P WHITE

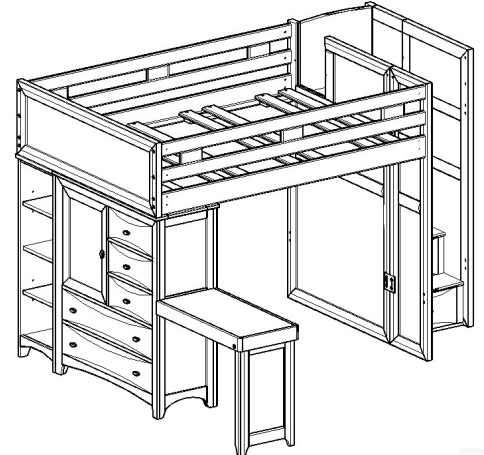
Reference page 17-23 for assembly steps



FULL STEP LOFT W/CHEST-BOOKCASE

3632360P WALNUT 3631326P WHITE

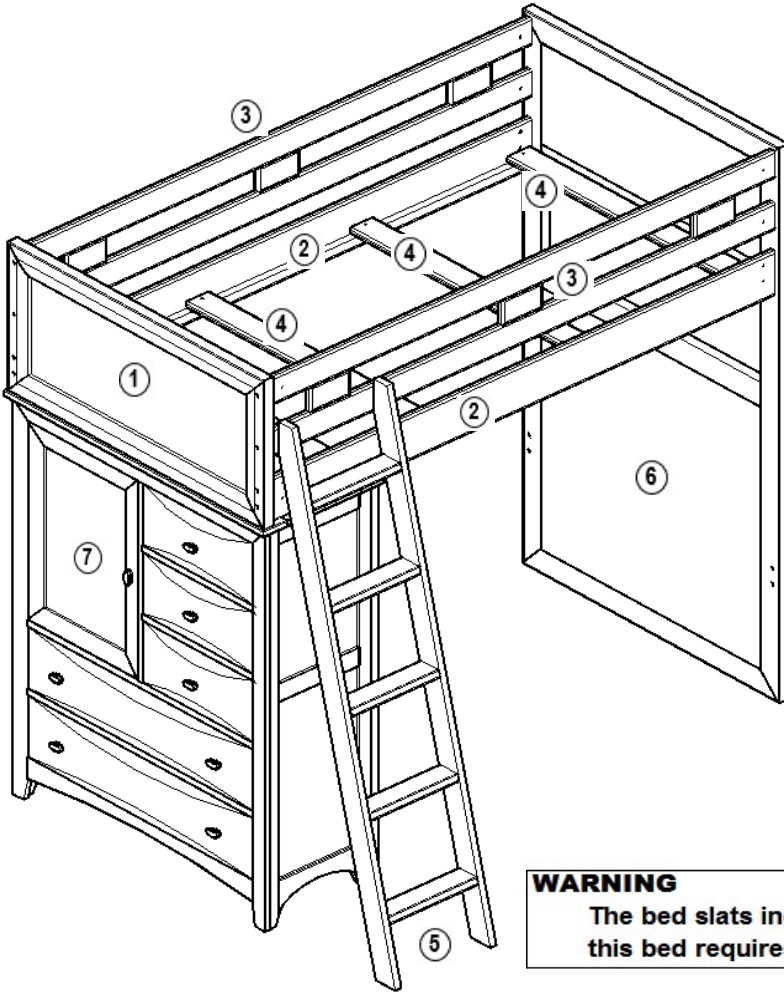
Reference page 24-32 for assembly steps



FULL STEP LOFT W/CHEST-BOOKCASE & DESK ATTACHMENT

3642360P WALNUT 3641326P WHITE


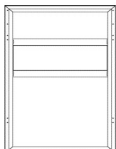






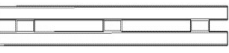


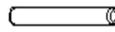
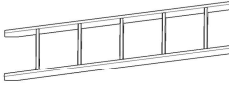


PARTS LIST



3502360P TWIN/LOFT W/CHEST WALNUT		
RTG SKU #	STYLE #	ITEM DESCRIPTION
35423603	3260706	TWIN BUNKBED END
35623607	3260705	TWIN TOP BUNKBED END
36523606	3260731	2 SIDE RLS/2 GUARD RLS
35923603	3260711	5 DRW. LOFT CHEST
36723600	3260720	LADDER
38000232	100-645	TWIN SLAT PACK (4)

3501326P TWIN/LOFT W/CHEST WHITE		
RTG SKU #	STYLE #	ITEM DESCRIPTION
35413260	3261706	TWIN BUNKBED END
35613264	3261705	TWIN TOP BUNKBED END
36513263	3261731	2 SIDE RLS/2 GUARD RLS
35913260	3261711	5 DRW. LOFT CHEST
36713267	3261720	LADDER
38000232	100-645	TWIN SLAT PACK (4)

WARNING
 The bed slats included with this bed will not support a mattress alone, this bed requires Bunkie boards (sold separately)

PARTS LIST		QTY	PARTS LIST		QTY	HARDWARE LIST		QTY	TOOLS NEEDED	
1	 Twin top bunk bed end	1 Pc	6	 Headboard/footboard	1 Pc	A	 50 mm Bolts	16 Pcs	Phillips screwdriver (not included) 	
2	 Side rails	2 Pc	7	 5 Drw Loft chest	1 Pc	B	 Allen wrench	1 Pc	Allen wrench (included) 	
3	 Guardrails	2 Pc				C	 1 1/4" Screws	8 Pcs		
4	 Slats	4 Pc				D	 Metal pin	2 Pcs		
5	 Ladder	1 Pc				E	 1" Screws	6 Pcs		
						F	 Ladder hook	2 Pcs		

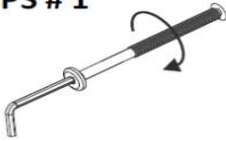
**TWO PEOPLE ARE NEEDED TO ASSEMBLE
 DO NOT TIGHTEN COMPLETELY UNTIL ALL PIECES
 ARE CONNECTED TOGETHER**

ASSEMBLY INSTRUCTIONS

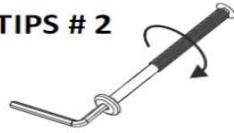
TIPS : SEE ILLUSTRATION BELOW

- 1- Use the long end of the allen wrench to fasten bolts loosely and quickly.
- 2- Use the short end of the allen wrench for final tightening

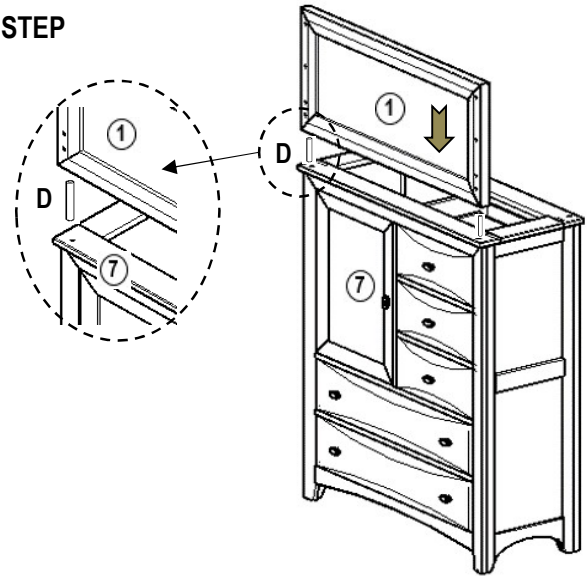
TIPS # 1



TIPS # 2

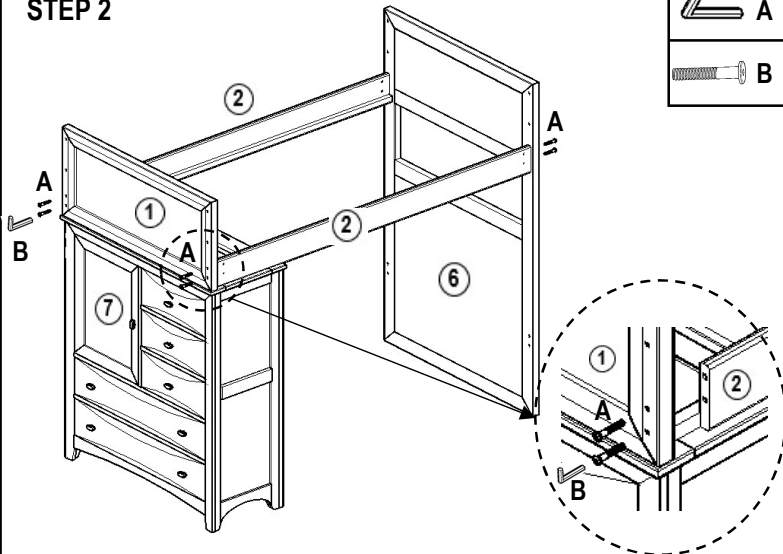


STEP



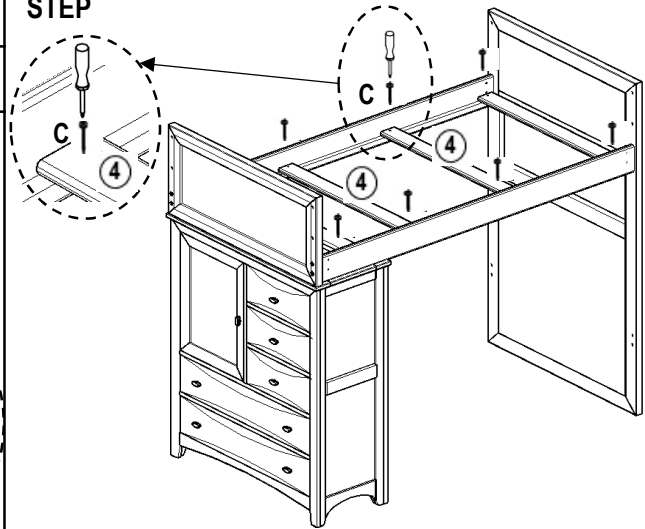
Assemble left chest and top bunkbed end.

STEP 2



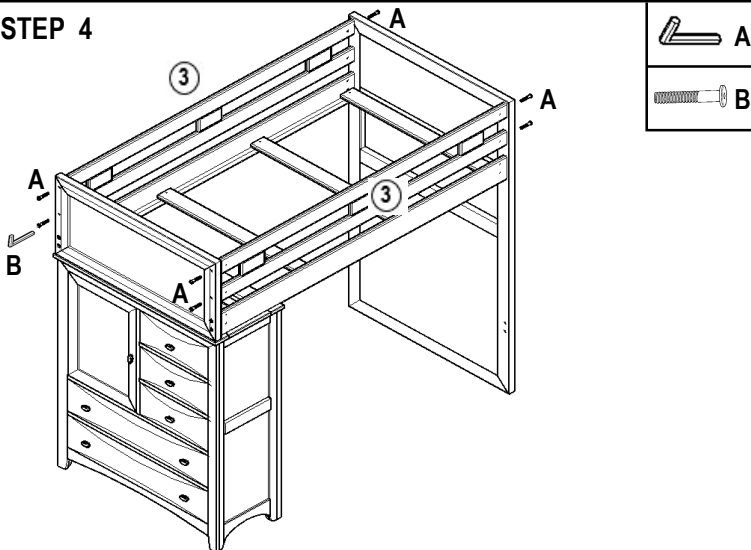
Assemble top side rails.

STEP



Install slats, one on each end, two equally spaced in the middle, then fasten with 1 1/4" screws.

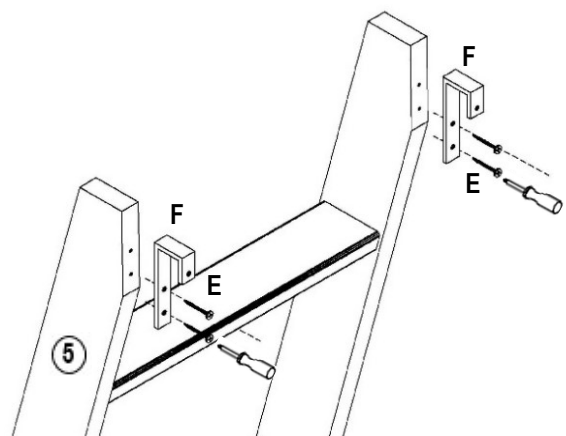
STEP 4



Assemble guardrails and tighten all bolts.

MAKE SURE ALL BOLTS ARE TIGHTENED COMPLETELY

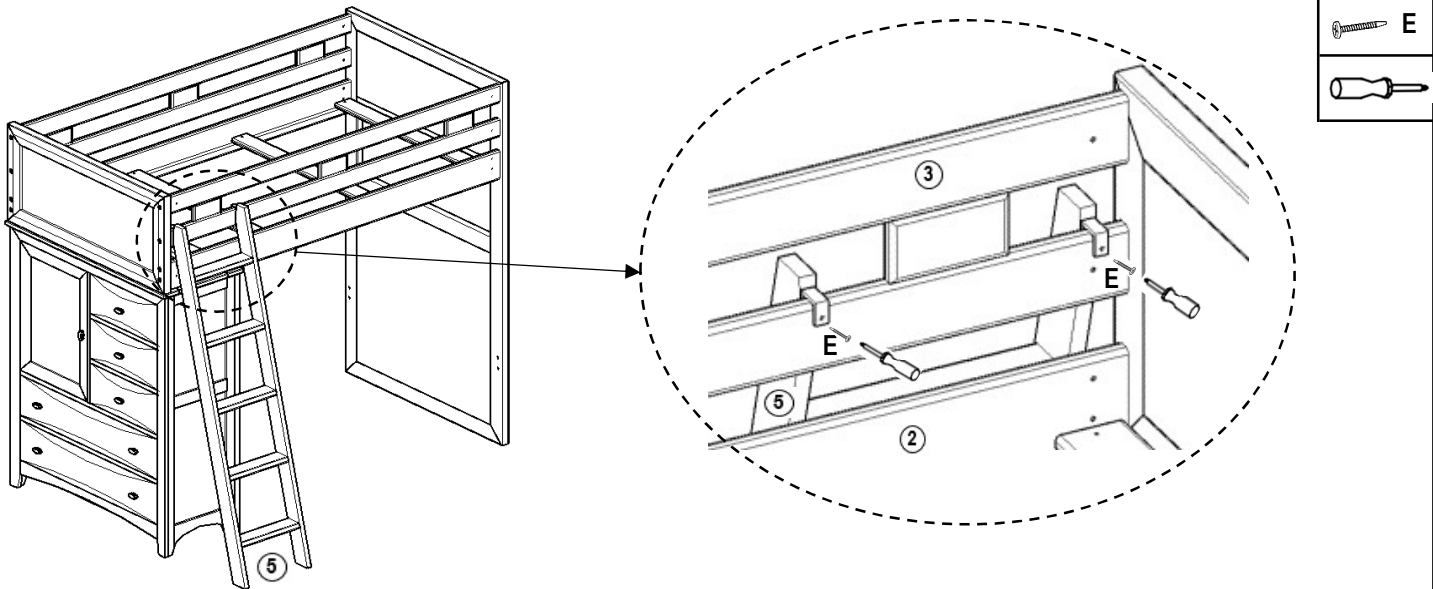
STEP 5



Screw ladder hooks to pre-drilled holes on top of ladder.

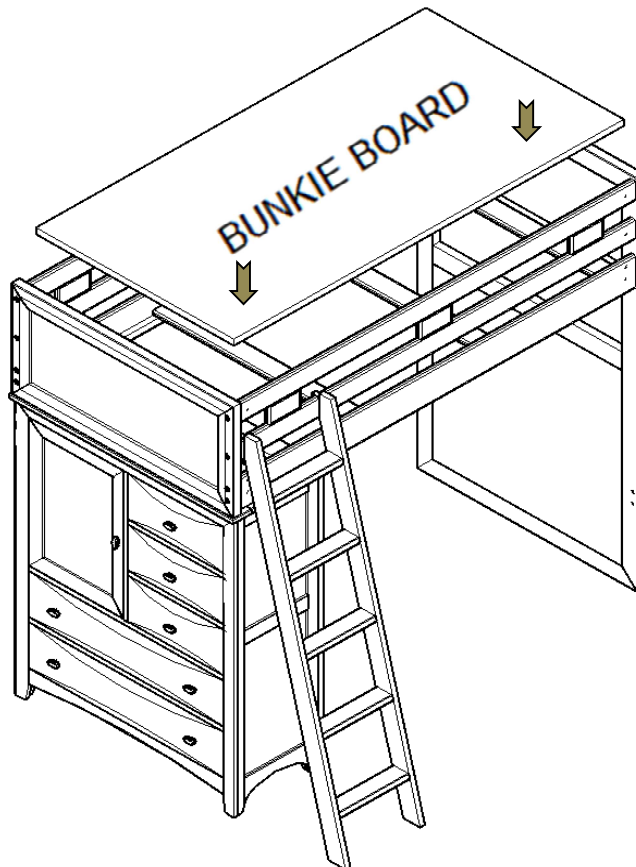
ASSEMBLY INSTRUCTIONS

STEP 6



Screw ladder to guardrail as shown.

STEP 7



Place Bunkie boards (required, sold separately) on top of the slats

Use only correct mattress dimensions and Bunkie board:

Twin size mattress- 74" - 75" long and 37-1/2" - 38-1/2" wide

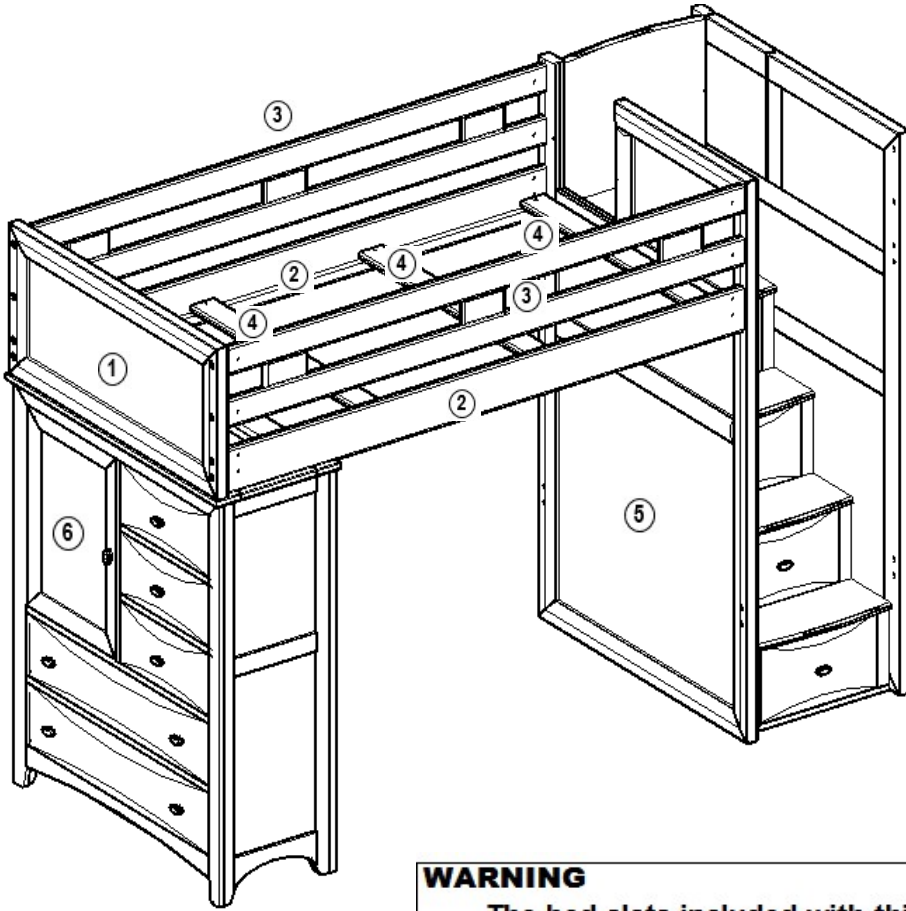
Twin size Bunkie board- 74" long and 37-1/2" wide

Full size mattress- 74" - 75" long and 52-1/2" - 53-1/2" wide

Full size Bunkie board- 74" long and 52-1/2" wide

PLEASE CONTACT YOUR RETAIL STORE WITH SERVICE OR PARTS REPLACEMENT REQUEST


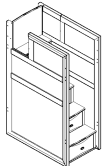



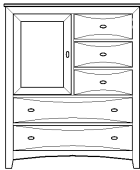


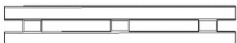



PARTS LIST



3572360P TWIN STEP LOFT W/CHEST WALNUT		
RTG SKU #	STYLE #	ITEM DESCRIPTION
35723609	3260160	STEP BUNK UNIT
35623607	3260705	TWIN TOP BUNKBED END
36523606	3260731	2 SIDE RLS/2 GUARD RLS
35923603	3260711	5 DRW. LOFT CHEST
38000232	100-645	TWIN SLAT PACK (4)

3571326P TWIN STEP LOFT W/CHEST WHITE		
RTG SKU #	STYLE #	ITEM DESCRIPTION
35713266	3261160	STEP BUNK UNIT
35613264	3261705	TWIN TOP BUNKBED END
36513263	3261731	2 SIDE RLS/2 GUARD RLS
35913260	3261711	5 DRW. LOFT CHEST
38000232	100-645	TWIN SLAT PACK (4)

WARNING
 The bed slats included with this bed will not support a mattress alone, this bed requires Bunkie boards (sold separately)

PARTS LIST		QTY	PARTS LIST		QTY	HARDWARE LIST		QTY	TOOLS NEEDED	
1	 Twin top bunk bed end	1 Pc	5	 Step bunk unit	1 Pc	A	 50 mm Bolts	16 Pcs	Phillips screwdriver (not included) 	
2	 Side rails	2 Pc	6	 5 Drw Loft chest	1 Pc	B	 Allen wrench	1 Pc	Allen wrench (included) 	
3	 Guardrails	2 Pc				C	 1 1/4" Screws	8 Pcs		
4	 Slats	4 Pc				D	 Metal pin	2 Pcs		

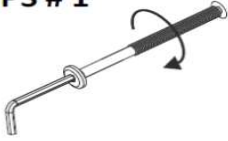
**TWO PEOPLE ARE NEEDED TO ASSEMBLE
 DO NOT TIGHTEN COMPLETELY UNTIL ALL PIECES
 ARE CONNECTED TOGETHER**

ASSEMBLY INSTRUCTIONS

TIPS : SEE ILLUSTRATION BELOW

- 1- Use the long end of the allen wrench to fasten bolts loosely and quickly.
- 2- Use the short end of the allen wrench for final tightening

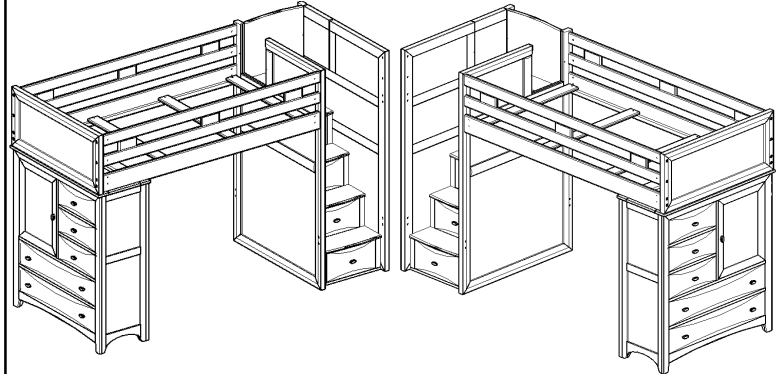
TIPS # 1



TIPS # 2

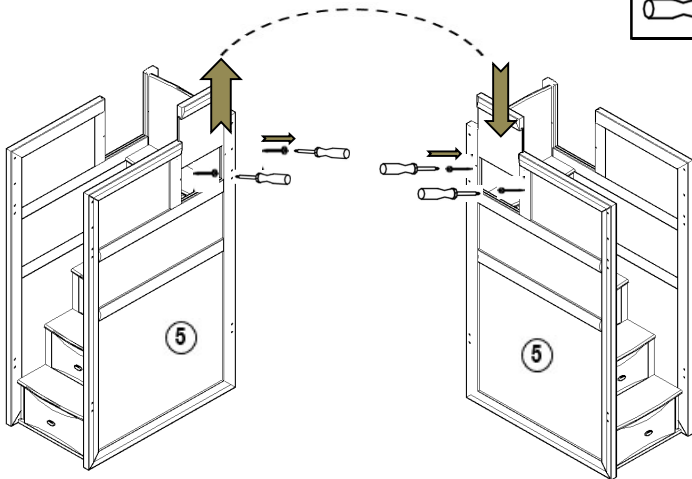


FIRST DETERMINE THE CONFIGURATION THAT FITS YOUR ROOM



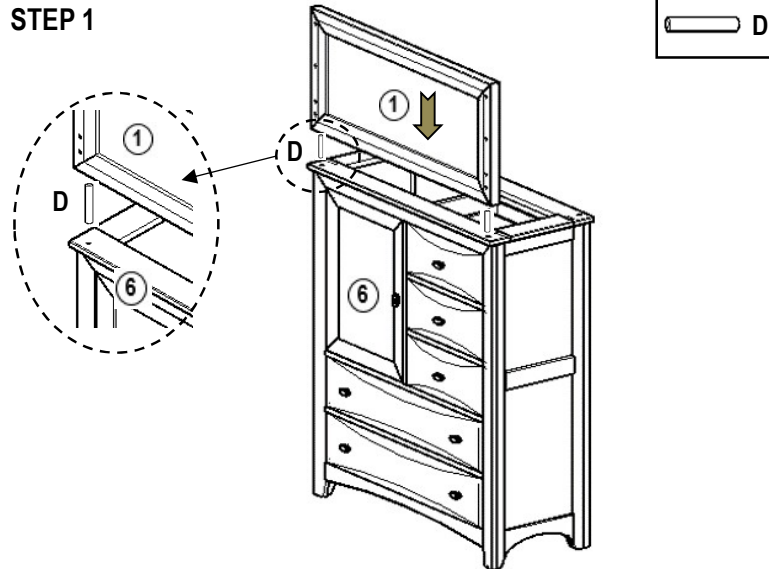
STAIRS ON THE RIGHT
(Factory setting)

STAIRS ON THE LEFT



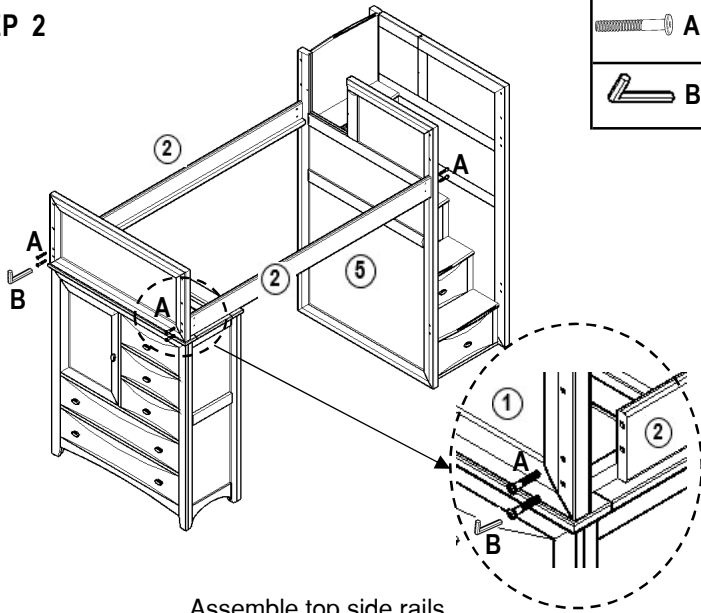
For stairs on the left, first remove the screws, then remove the panel and install it on the other side and secure with the screws.

STEP 1



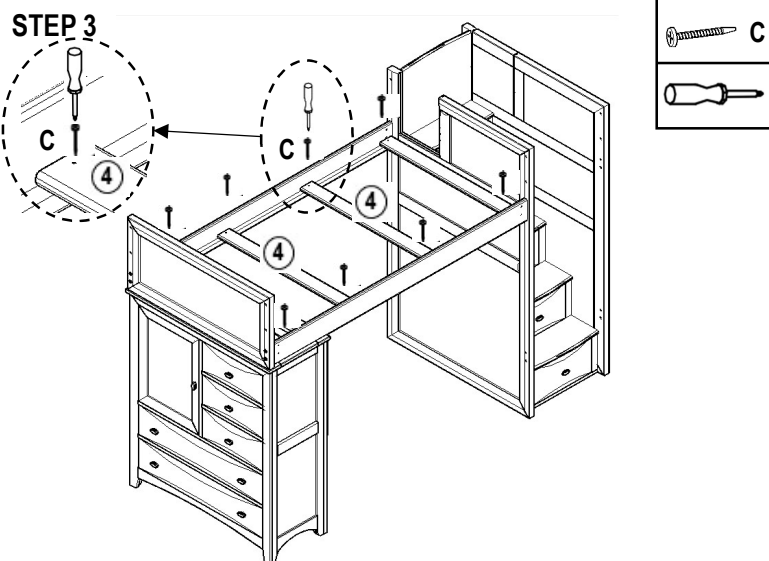
Assemble left chest and top bunk bed end.

STEP 2



Assemble top side rails.

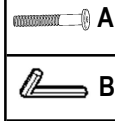
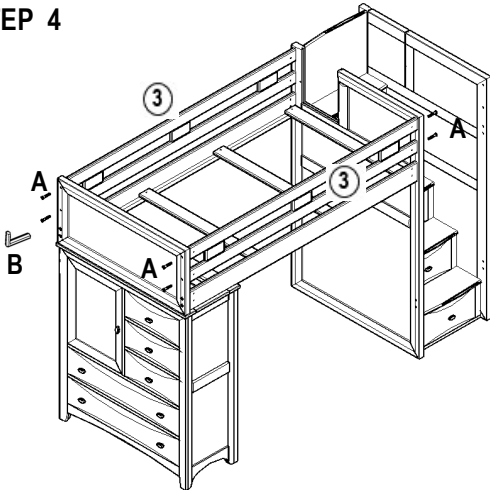
STEP 3



Install slats, one on each end, two equally spaced in the middle, then fasten with 1 1/4" screws.

ASSEMBLY INSTRUCTIONS

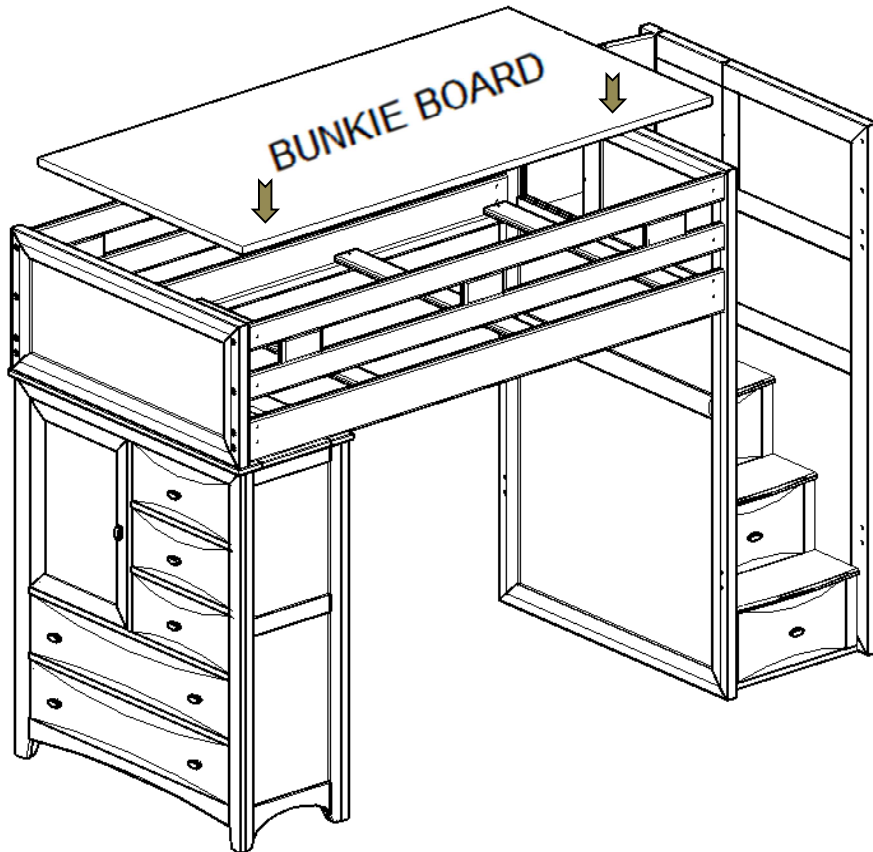
STEP 4



Assemble guardrails and tighten all bolts.

MAKE SURE ALL BOLTS ARE TIGHTENED COMPLETELY

STEP 5



Place Bunkie boards (required, sold separately) on top of the slats

Use only correct mattress dimensions and Bunkie board:

Twin size mattress- 74" - 75" long and 37-1/2" - 38-1/2" wide

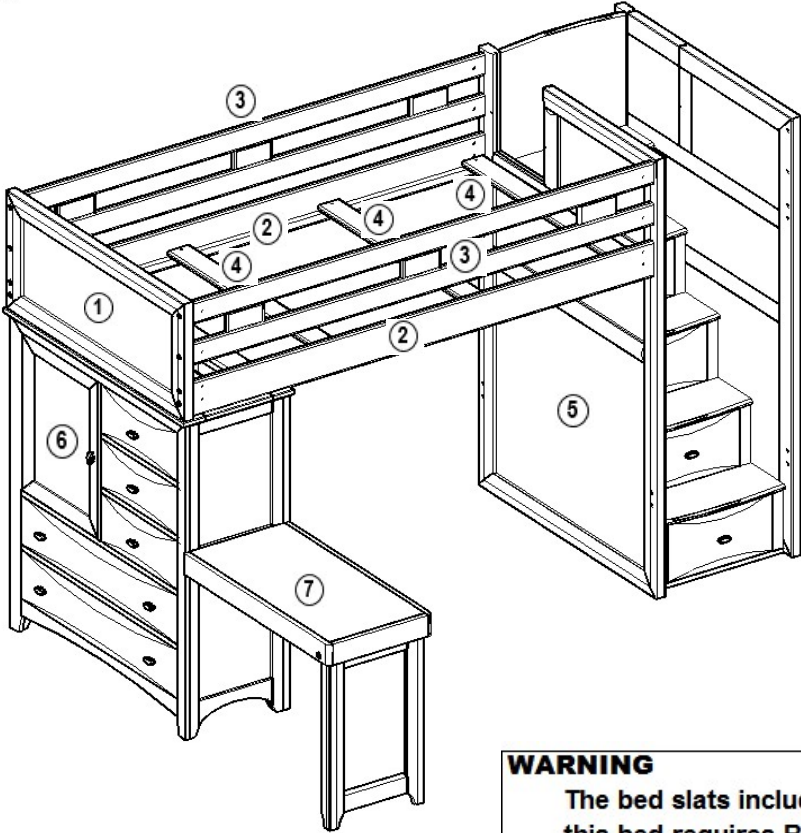
Twin size Bunkie board- 74" long and 37-1/2" wide

Full size mattress- 74" - 75" long and 52-1/2" - 53-1/2" wide

Full size Bunkie board- 74" long and 52-1/2" wide

PLEASE CONTACT YOUR RETAIL STORE WITH SERVICE OR PARTS REPLACEMENT REQUEST

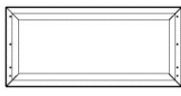
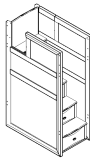










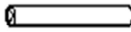

PARTS LIST



3582360P TWIN STEP LOFT W/CHEST & DESK ATT. WALNUT		
RTG SKU #	STYLE #	ITEM DESCRIPTION
35723609	3260160	STEP BUNK UNIT
35623607	3260705	TWIN TOP BUNKBED END
36523606	3260731	2 SIDE RLS/2 GUARD RLS
35923603	3260711	5 DRW. LOFT CHEST
36123608	3260601	FOLDING DESK
38000232	100-645	TWIN SLAT PACK (4)

3581326P TWIN STEP LOFT W/CHEST & DESK ATT. WHITE		
RTG SKU #	STYLE #	ITEM DESCRIPTION
35713266	3261160	STEP BUNK UNIT
35613264	3261705	TWIN TOP BUNKBED END
36513263	3261731	2 SIDE RLS/2 GUARD RLS
35913260	3261711	5 DRW. LOFT CHEST
36113265	3261601	FOLDING DESK
38000232	100-645	TWIN SLAT PACK (4)

WARNING
 The bed slats included with this bed will not support a mattress alone, this bed requires Bunkie boards (sold separately)

PARTS LIST		QTY	PARTS LIST		QTY	HARDWARE LIST		QTY	TOOLS NEEDED	
1	 Twin top bunk bed end	1 Pc	5	 Step bunk unit	1 Pc	A	 50 mm Bolts	16 Pcs	Phillips screwdriver (not included) 	
2	 Side rails	2 Pc	6	 5 Drw Loft chest	1 Pc	B	 Allen wrench	1 Pc	Allen wrench (included) 	
3	 Guardrails	2 Pc	7	 Folding desk	1 Pc	C	 1 1/4" Screws	10 Pcs		
4	 Slats	4 Pc				D	 Metal pin	2 Pcs		
						E	 3/4" Screw	1 Pcs		

**TWO PEOPLE ARE NEEDED TO ASSEMBLE
 DO NOT TIGHTEN COMPLETELY UNTIL ALL PIECES
 ARE CONNECTED TOGETHER**

ASSEMBLY INSTRUCTIONS

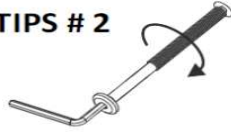
TIPS : SEE ILLUSTRATION BELOW

- 1- Use the long end of the allen wrench to fasten bolts loosely and quickly.
- 2- Use the short end of the allen wrench for final tightening

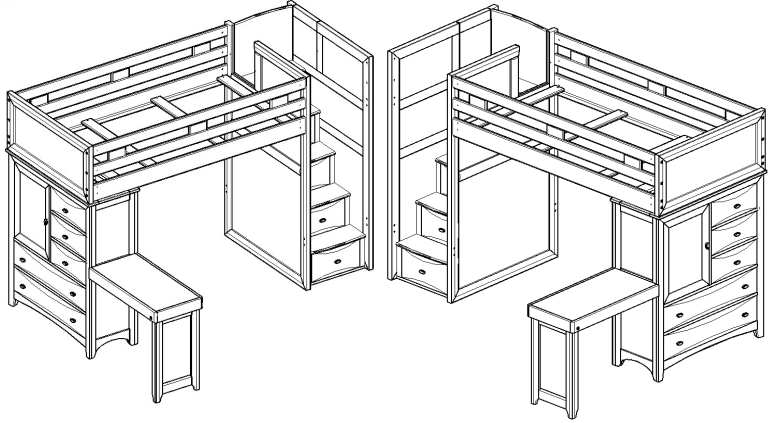
TIPS # 1



TIPS # 2

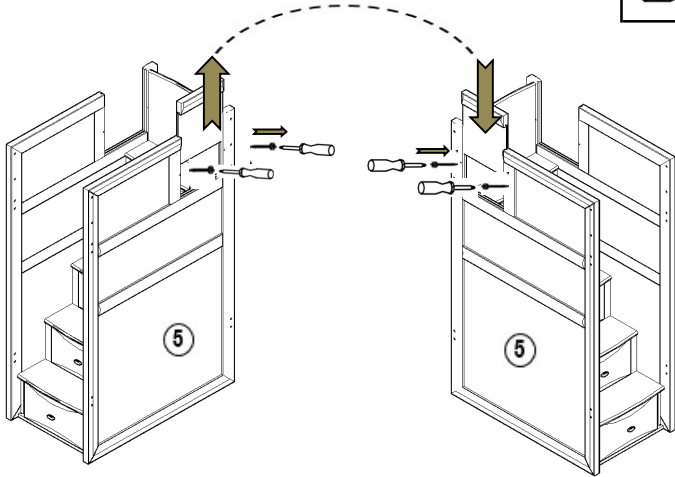


FIRST DETERMINE THE CONFIGURATION THAT FITS YOUR ROOM



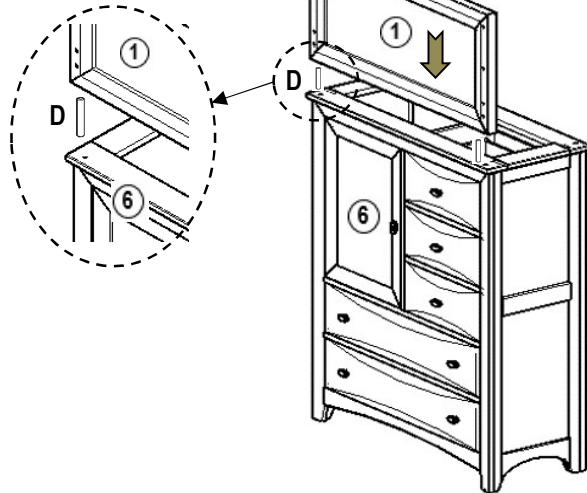
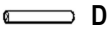
STAIRS ON THE RIGHT
(Factory setting)

STAIRS ON THE LEFT



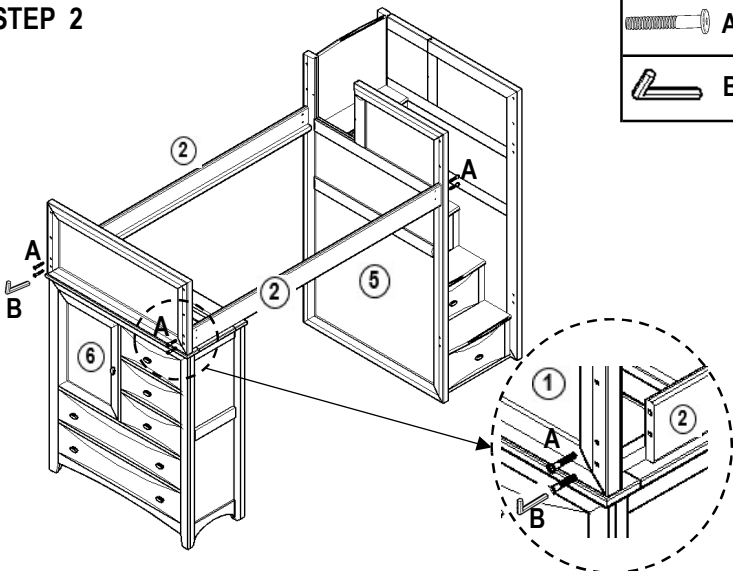
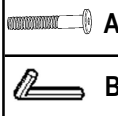
For stairs on the left, first remove the screws, then remove the panel and install it on the other side, and secure with the screws.

STEP 1



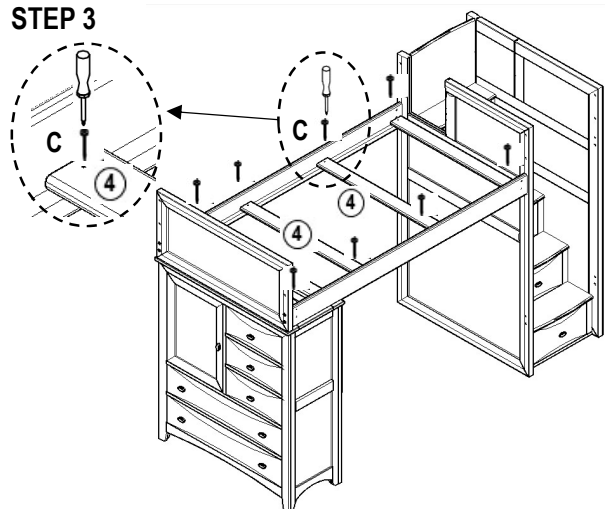
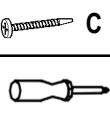
Assemble left chest and top bunk bed end.

STEP 2



Assemble top side rails.

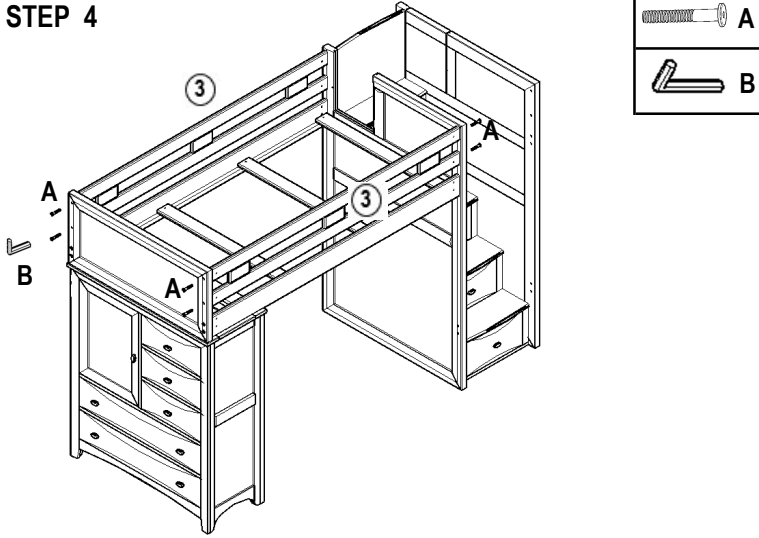
STEP 3



Install slats, one on each end, two equally spaced in the middle, then fasten with 1 1/4" screws.

ASSEMBLY INSTRUCTIONS

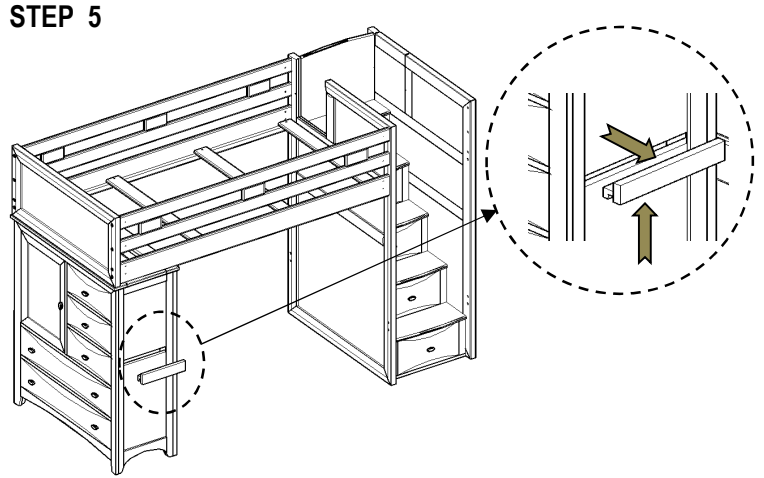
STEP 4



Assemble guardrails and tighten all bolts.

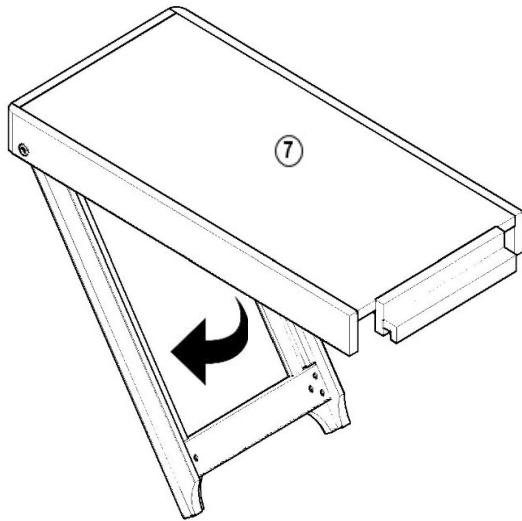
MAKE SURE ALL BOLTS ARE TIGHTENED COMPLETELY

STEP 5



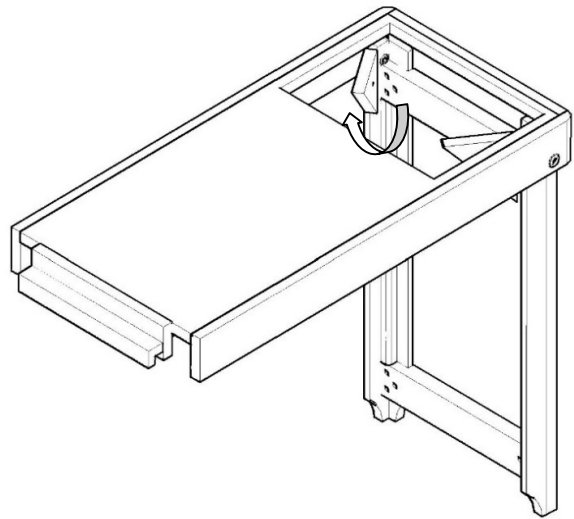
Remove center molding by lifting up then pulling out.

STEP 6



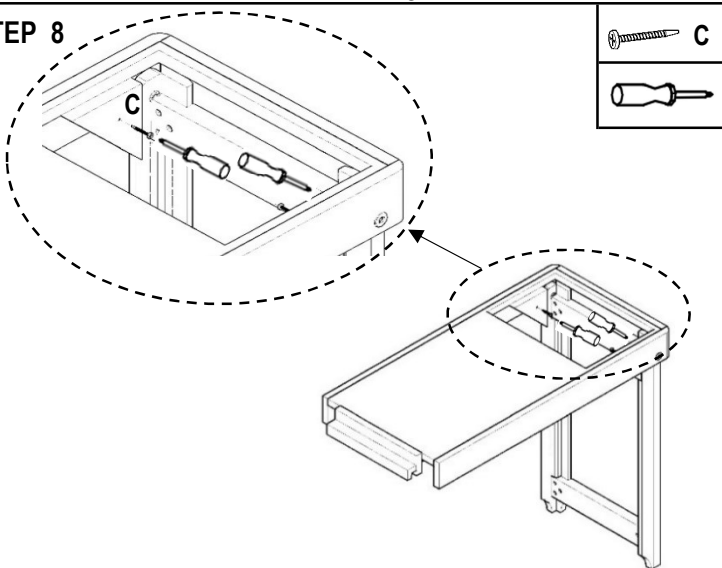
Unfold desk leg.

STEP 7



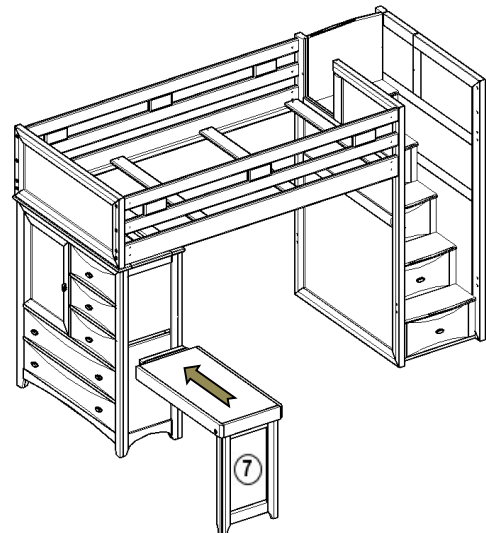
Unfold corner supports.

STEP 8



Secure each corner block with 1 1/4" screw in the pre-bore hole.

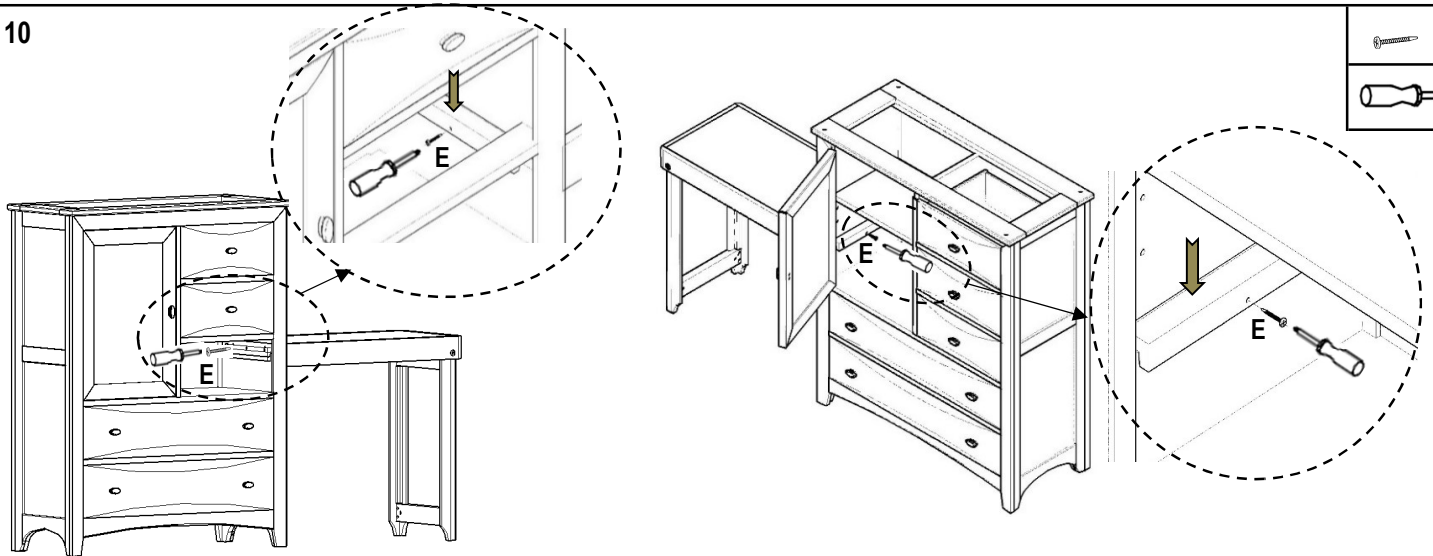
STEP 9



Place folding desk by sliding into the opening of left chest then push down.

ASSEMBLY INSTRUCTIONS

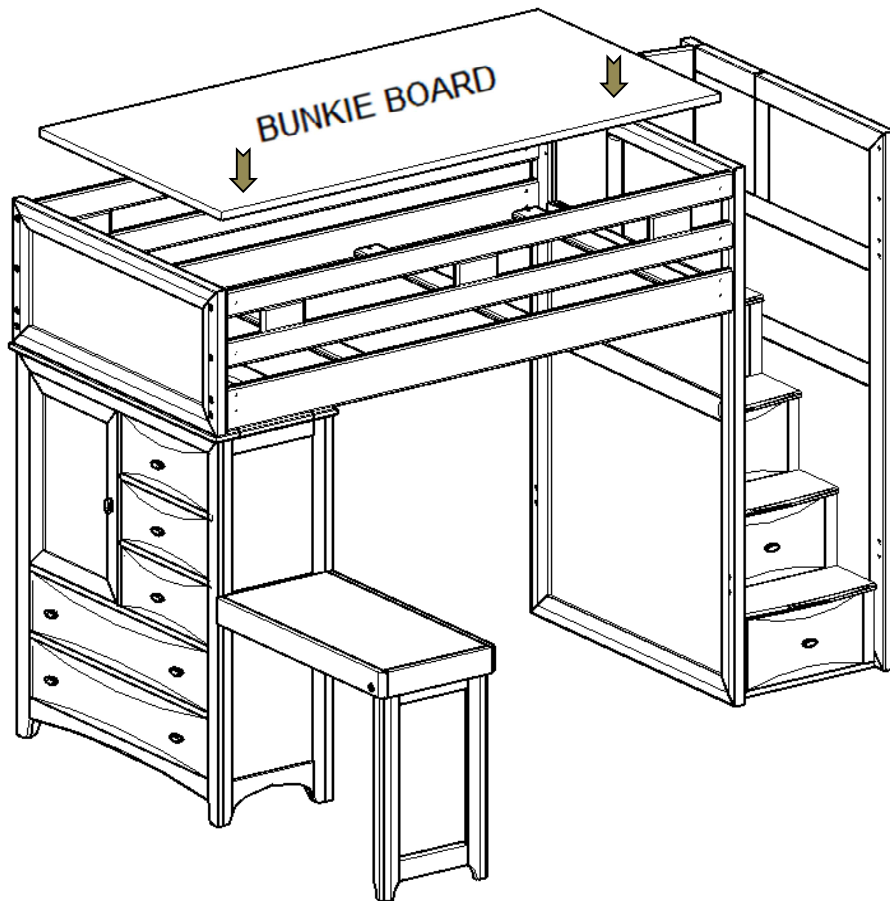
STEP 10



For **stairs on the right** remove third drawer, and secure desk with one 3/4" screw, then place back the drawer.

For **stairs on the left**, open the door and secure it with one 3/4" screw.

STEP 11



Place Bunkie boards (required, sold separately) on top of the slats

Use only correct mattress dimensions and Bunkie board:

Twin size mattress- 74" - 75" long and 37-1/2" - 38-1/2" wide

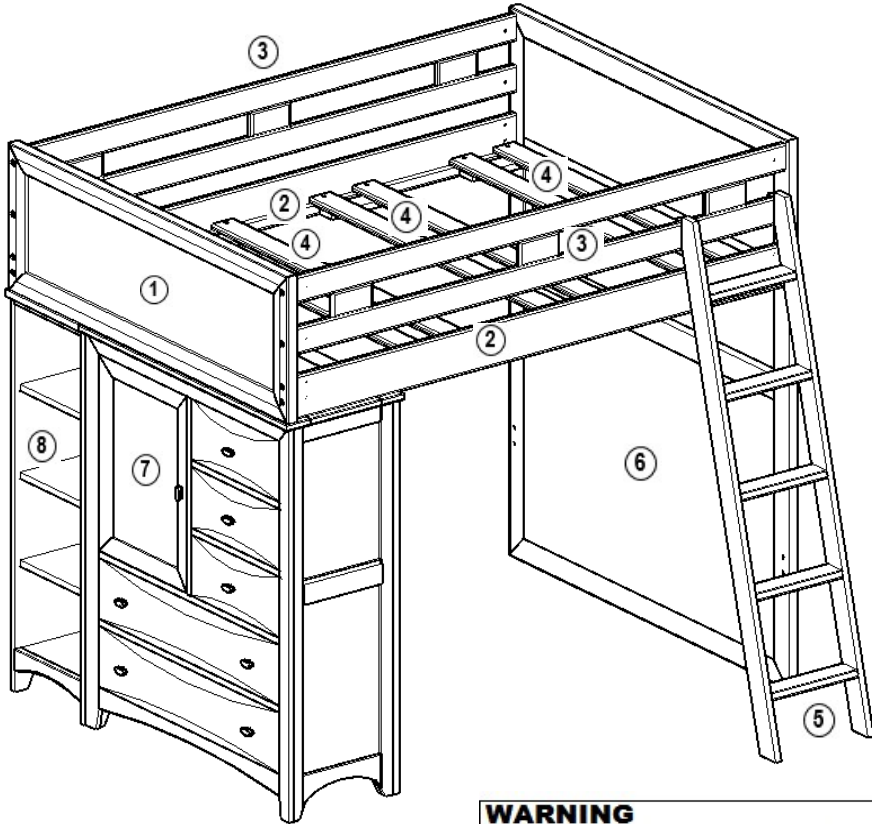
Twin size Bunkie board- 74" long and 37-1/2" wide

Full size mattress- 74" - 75" long and 52-1/2" - 53-1/2" wide

Full size Bunkie board- 74" long and 52-1/2" wide

PLEASE CONTACT YOUR RETAIL STORE WITH SERVICE OR PARTS REPLACEMENT REQUEST

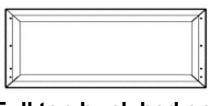
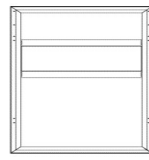



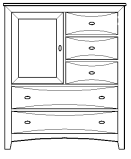





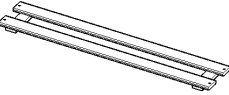
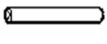
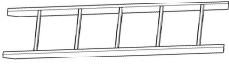

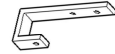
PARTS LIST



3542360P FULL LOFT W/CHEST & BOOKCASE WALNUT		
RTG SKU #	STYLE #	ITEM DESCRIPTION
35523605	3260704	FULL BUNKBED END
35823601	3260703	FULL TOP BUNKBED END
36523606	3260731	2 SIDE RLS/2 GUARD RLS
35923603	3260711	5 DRW. LOFT CHEST
36023606	3260760	LOFT BOOKSHELF
36723600	3260720	LADDER
38300238	100-648	FULL BUNK SLATS

3541326P FULL LOFT W/CHEST & BOOKCASE WHITE		
RTG SKU #	STYLE #	ITEM DESCRIPTION
35513262	3261704	FULL BUNKBED END
35813268	3261703	FULL TOP BUNKBED END
36513263	3261731	2 SIDE RLS/2 GUARD RLS
35913260	3261711	5 DRW. LOFT CHEST
36013263	3261760	LOFT BOOKSHELF
36713267	3261720	LADDER
38300238	100-648	FULL BUNK SLATS

WARNING
 The bed slats included with this bed will not support a mattress alone, this bed requires Bunkie boards (sold separately)

PARTS LIST		QTY	PARTS LIST		QTY	HARDWARE LIST		QTY	TOOLS NEEDED	
1		1 Pc	6		1 Pc	A	 50 mm Bolts	16 Pcs	Phillips screwdriver (not included) 	
2		2 Pc	7		1 Pc	B	 Allen wrench	1 Pc	Allen wrench (included) 	
3		2 Pc	8		1 Pc	C	 1 1/4" Screws	8 Pcs		
4		4 Pc				D	 Metal pin	2 Pcs		
5		1 Pc				E	 1 " Screws	6 Pcs		
						F	 Ladder hook	2 Pcs		

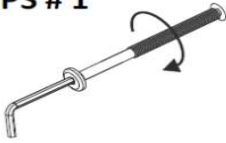
**TWO PEOPLE ARE NEEDED TO ASSEMBLE
 DO NOT TIGHTEN COMPLETELY UNTIL ALL PIECES
 ARE CONNECTED TOGETHER**

ASSEMBLY INSTRUCTIONS

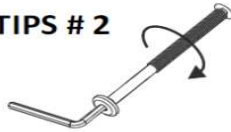
TIPS : SEE ILLUSTRATION BELOW

- 1- Use the long end of the allen wrench to fasten bolts loosely and quickly.
- 2- Use the short end of the allen wrench for final tightening

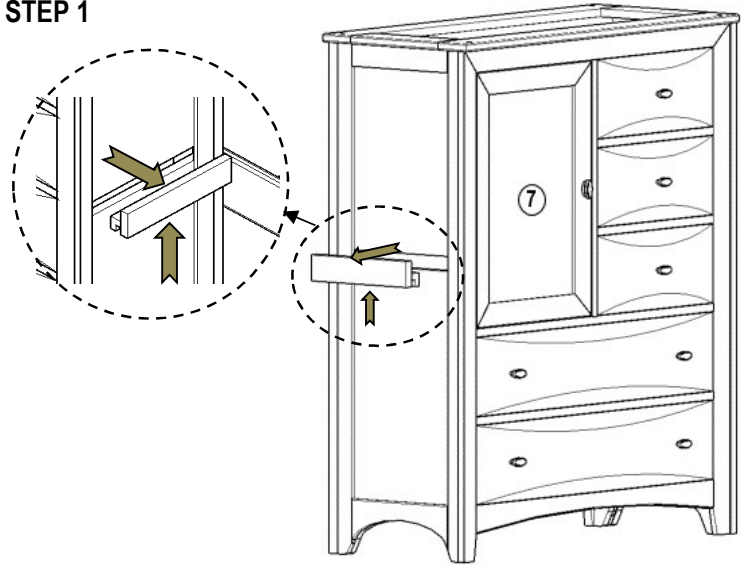
TIPS # 1



TIPS # 2

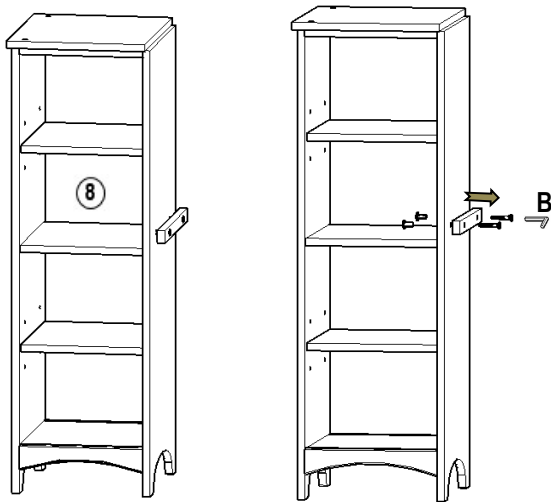


STEP 1



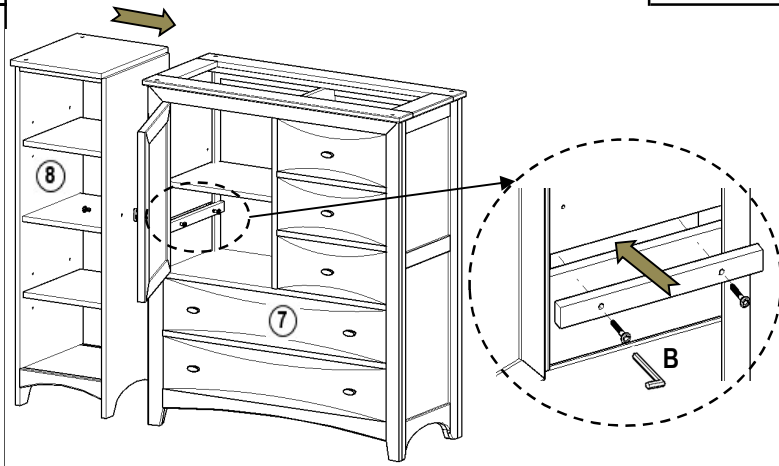
Remove center molding by lifting up then pulling out.

STEP 2



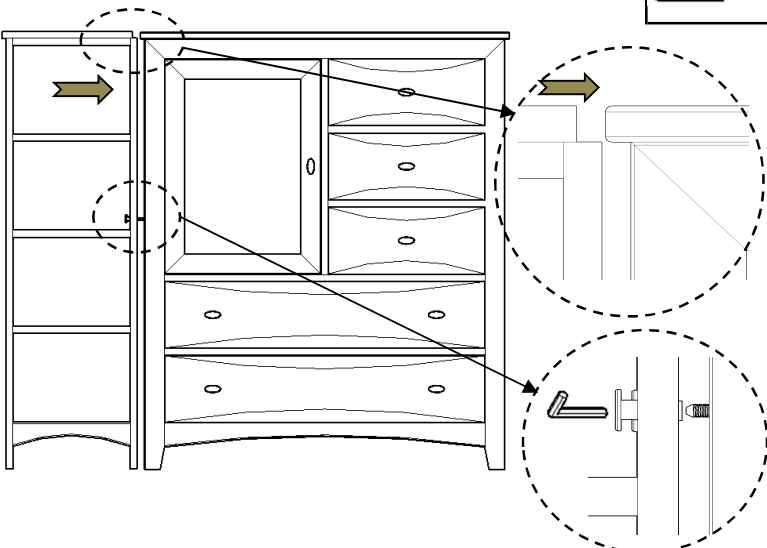
Remove fastening board and save for next step.

STEP 3



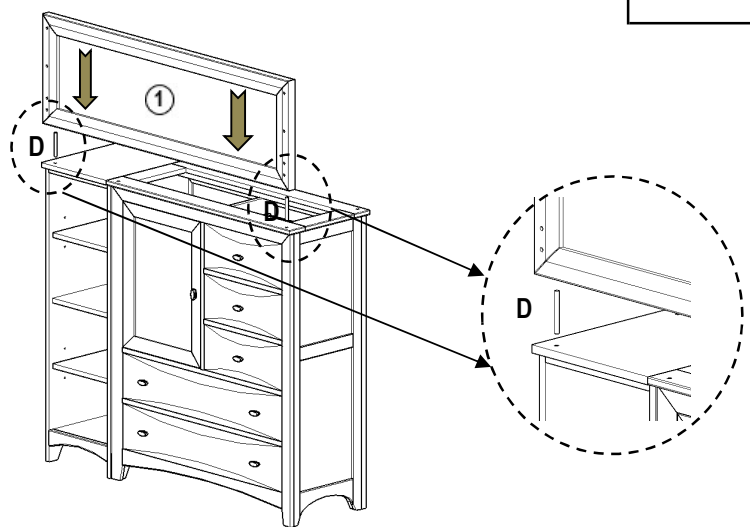
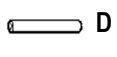
Assemble loft bookshelf and loft chest, using the fastening board and bolts previously removed as shown.

STEP 4



Align both pieces and tight completely.

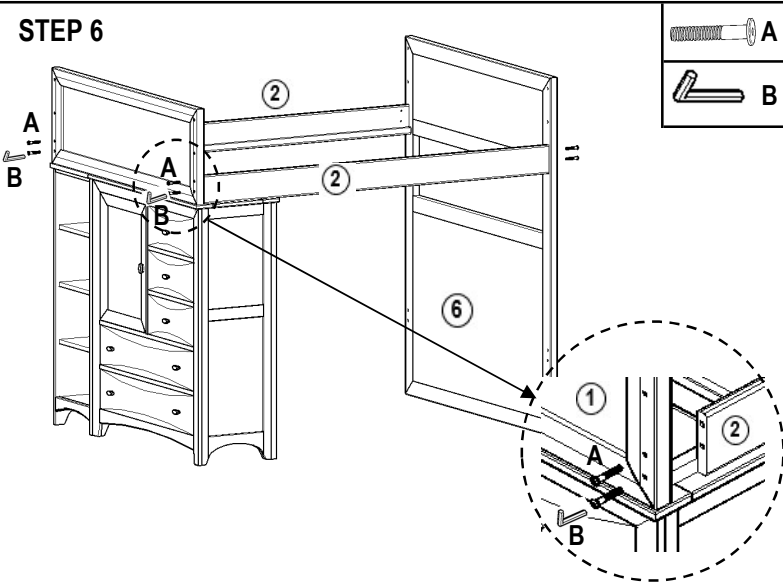
STEP 5



Assemble loft chest, loft bookshelf and top bunk bed end.

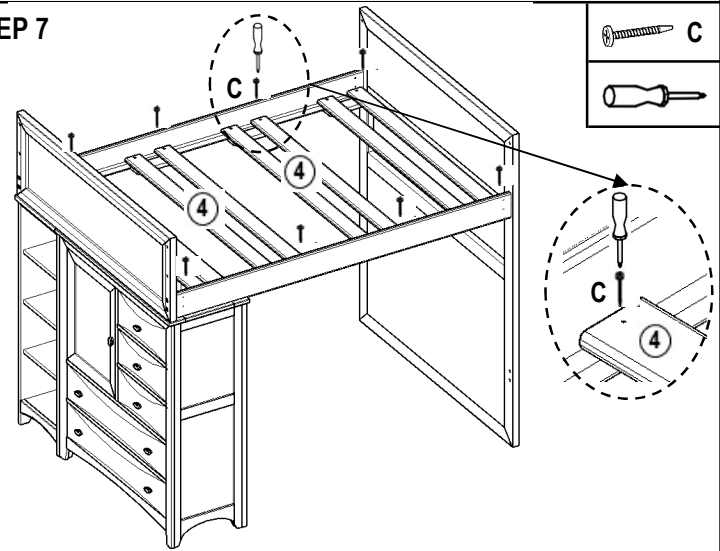
ASSEMBLY INSTRUCTIONS

STEP 6



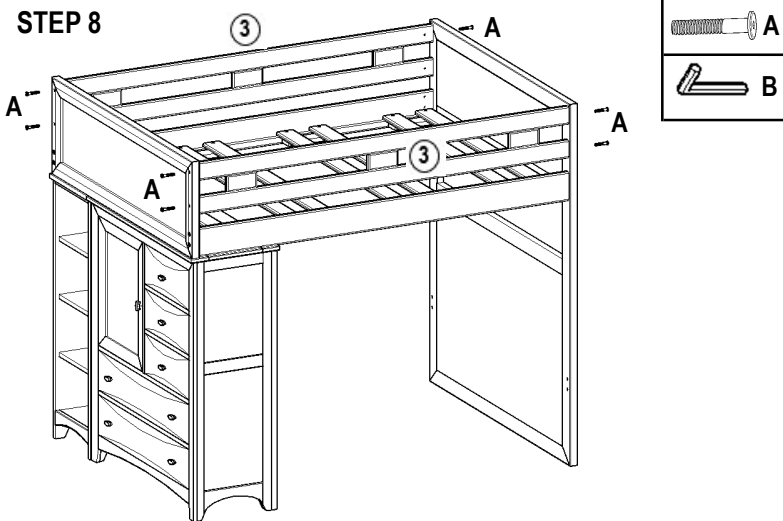
Assemble top side rails.

STEP 7



Install slats, one on each end, two equally spaced in the middle, then fasten with 1 1/4" screws.

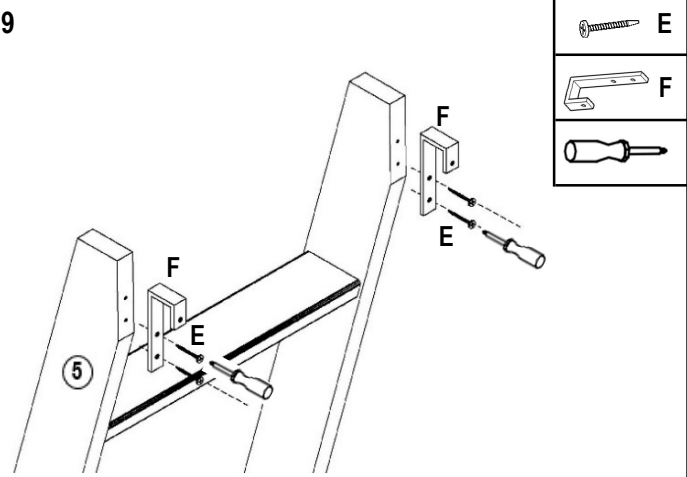
STEP 8



Assemble guardrails and tighten all bolts.

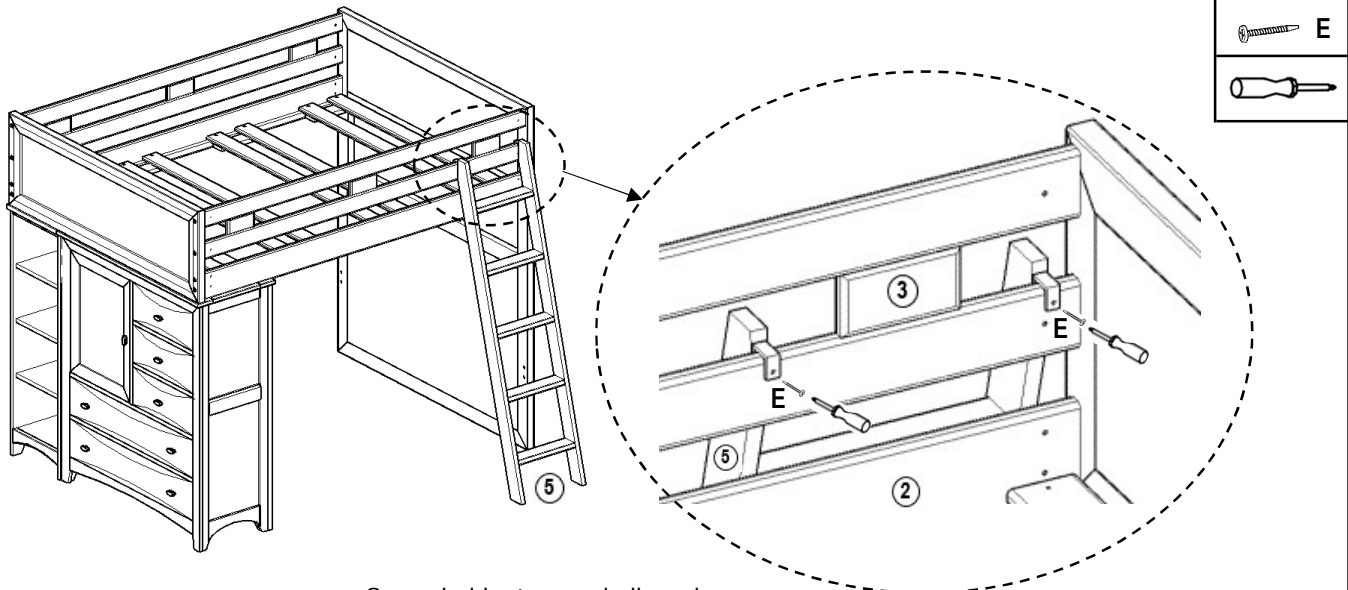
MAKE SURE ALL BOLTS ARE TIGHTENED COMPLETELY

STEP 9



Screw ladder hooks to pre-drilled holes on top of ladder.

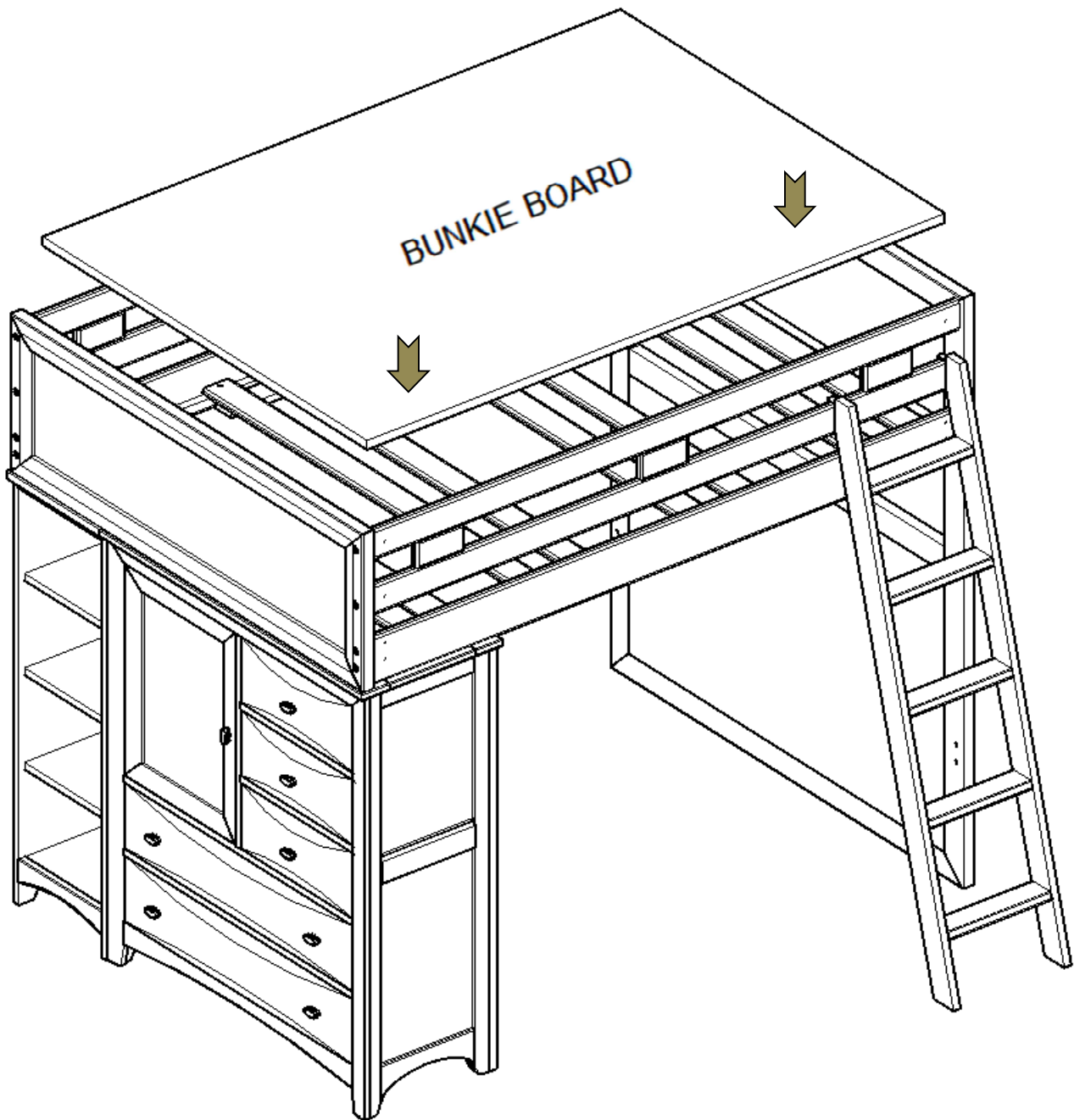
STEP 10



Screw ladder to guardrail as shown.

ASSEMBLY INSTRUCTIONS

STEP 11



Place Bunkie boards (required, sold separately) on top of the slats

Use only correct mattress dimensions and Bunkie board:

Twin size mattress- 74" - 75" long and 37-1/2" - 38-1/2" wide

Twin size Bunkie board- 74" long and 37-1/2" wide

Full size mattress- 74" - 75" long and 52-1/2" - 53-1/2" wide

Full size Bunkie board- 74" long and 52-1/2" wide

PLEASE CONTACT YOUR RETAIL STORE WITH SERVICE OR PARTS REPLACEMENT REQUEST


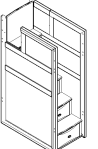

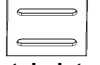



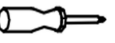




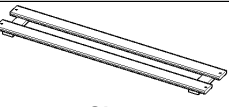
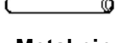



PARTS LIST



3632360P FULL STEP LOFT W/CHEST & BOOKCASE WALNUT		
RTG SKU #	STYLE #	ITEM DESCRIPTION
35723609	3260160	STEP BUNK UNIT
35823601	3260703	FULL TOP BUNKBED END
36523606	3260731	2 SIDE RLS/2 GUARD RLS
35923603	3260711	5 DRW. LOFT CHEST
36023606	3260760	LOFT BOOKSHELF
36423604	3260783	FULL/FULL EXT. KIT
38300238	100-648	FULL BUNK SLATS

3631326P FULL STEP LOFT W/CHEST & BOOKCASE WHITE		
RTG SKU #	STYLE #	ITEM DESCRIPTION
35713266	3261160	STEP BUNK UNIT
35813268	3261703	FULL TOP BUNKBED END
36513263	3261731	2 SIDE RLS/2 GUARD RLS
35913260	3261711	5 DRW. LOFT CHEST
36013263	3261760	LOFT BOOKSHELF
36413261	3261783	FULL/FULL EXT. KIT
38300238	100-648	FULL BUNK SLATS

WARNING
 The bed slats included with this bed will not support a mattress alone, this bed requires Bunkie boards (sold separately)

PARTS LIST		QTY	PARTS LIST		QTY	HARDWARE LIST		QTY	HARDWARE LIST		QTY
1		1 Pc	6		1 Pc	A		16 Pcs	G		2 Pcs
2		2 Pc	7		1 Pc	B		1 Pc	TOOLS NEEDED Phillips screwdriver (not included)  Allen wrench (included) 		
3		2 Pc	8		1 Pc	C		8 Pcs			
4		4 Pc				D		2 Pcs			
5		1 Pc				E		8 Pcs			
						F		8 Pcs			

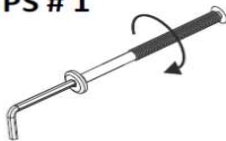
**TWO PEOPLE ARE NEEDED TO ASSEMBLE
 DO NOT TIGHTEN COMPLETELY UNTIL ALL PIECES
 ARE CONNECTED TOGETHER**

ASSEMBLY INSTRUCTIONS

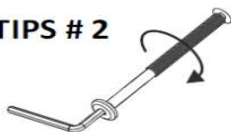
TIPS : SEE ILLUSTRATION BELOW

- 1- Use the long end of the allen wrench to fasten bolts loosely and quickly.
- 2- Use the short end of the allen wrench for final tightening

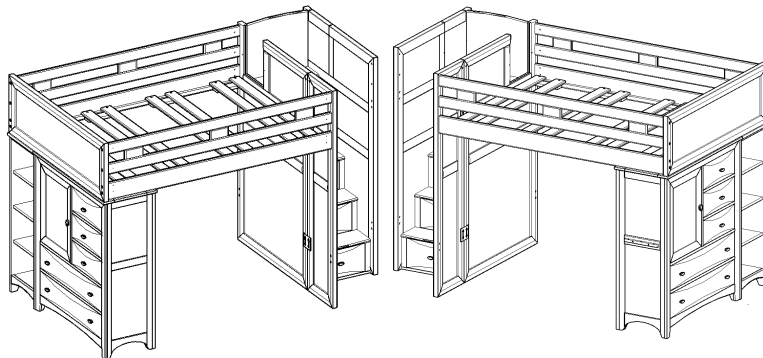
TIPS # 1



TIPS # 2



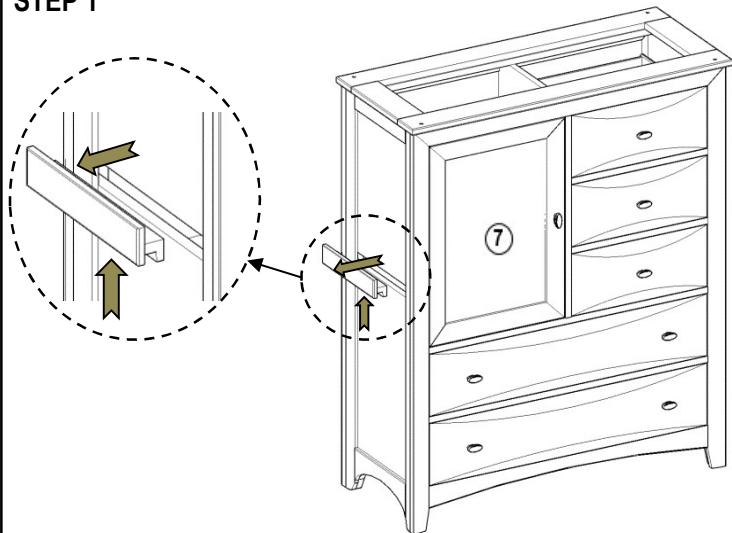
FIRST DETERMINE THE CONFIGURATION THAT FITS YOUR ROOM



STAIRS ON THE RIGHT
(Factory setting)
Step 1-11

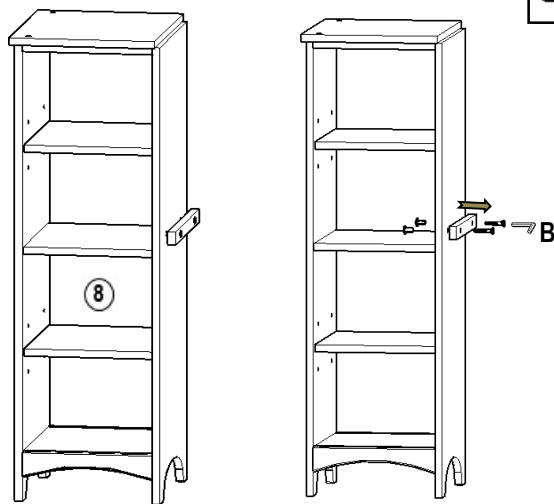
STAIRS ON THE LEFT
Step 12-23

STEP 1



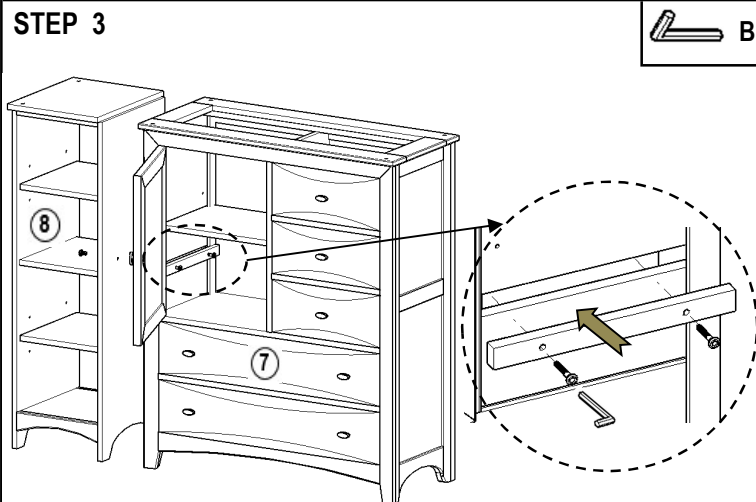
Remove center molding by lifting up then pulling out.

STEP 2



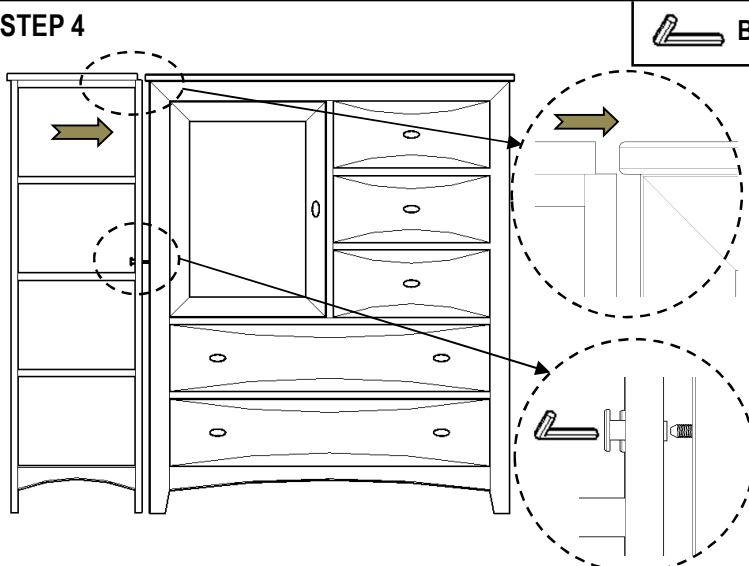
Remove fastening board and save for next step.

STEP 3



Assemble left bookshelf and left chest, using the fastening board and bolts previously removed as shown.

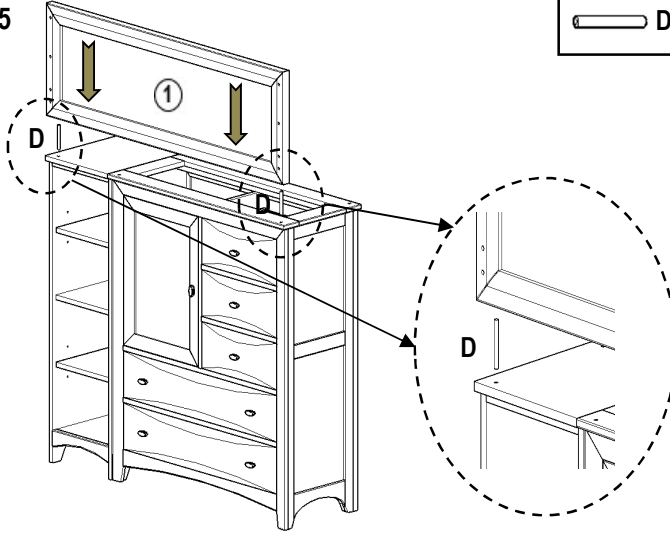
STEP 4



Align both pieces and tight completely.

ASSEMBLY INSTRUCTIONS

STEP 5



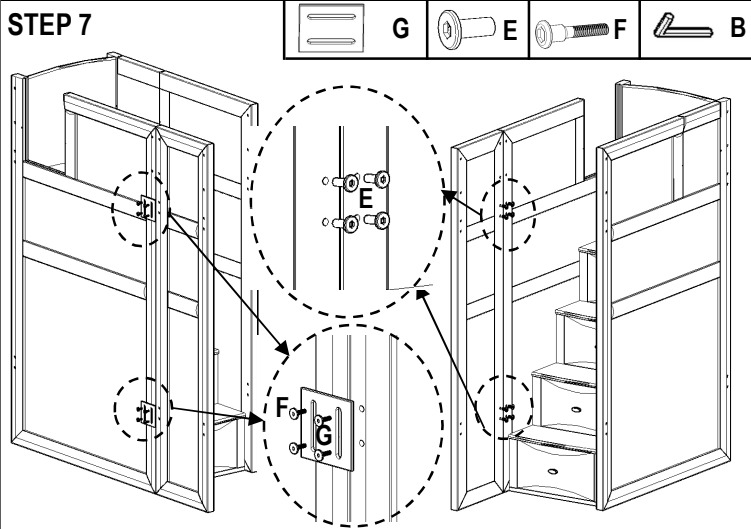
Assemble loft chest/loft bookshelf and top bunk bed end.

STEP 6



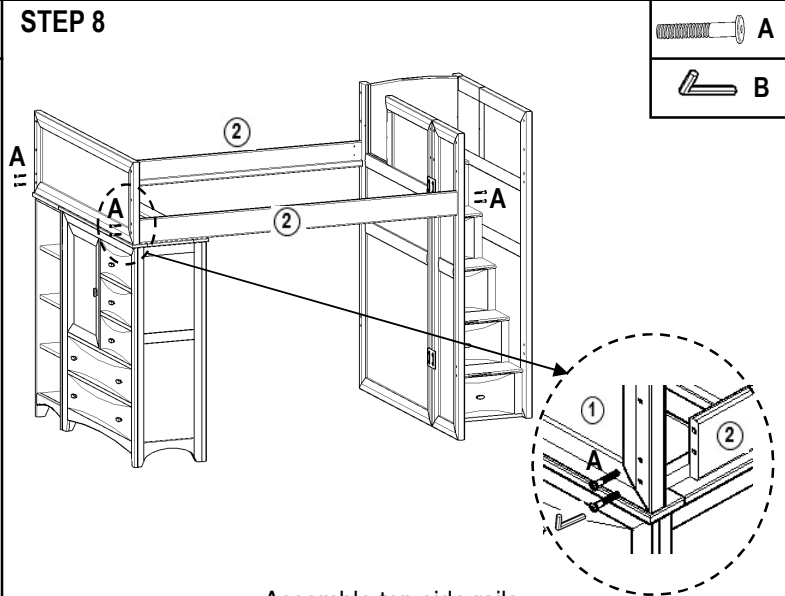
Assemble step bunk unit and extension kit, aligning inside and outside pattern and holes.

STEP 7



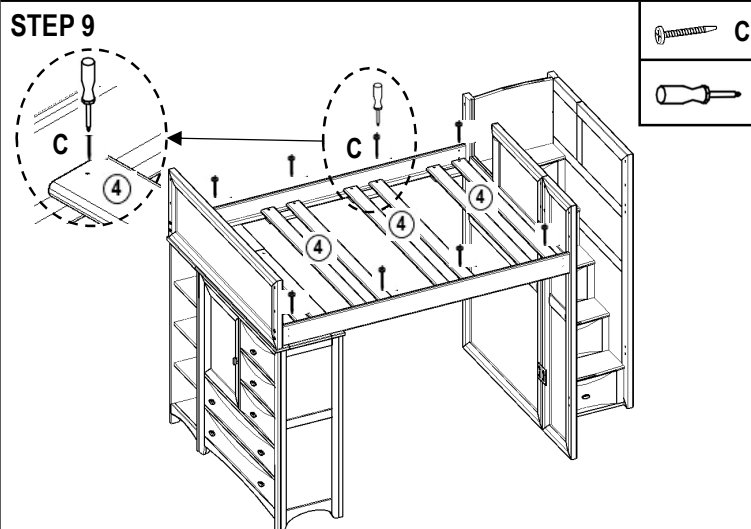
Fasten and make sure all bolts are tightened completely.

STEP 8



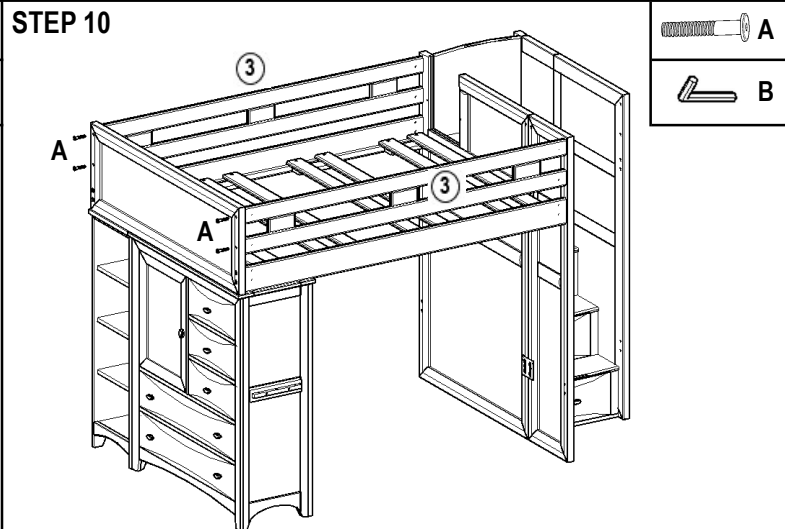
Assemble top side rails.

STEP 9



Install slats, one on each end, two equally spaced in the middle, then fasten with 1 1/4" screws.

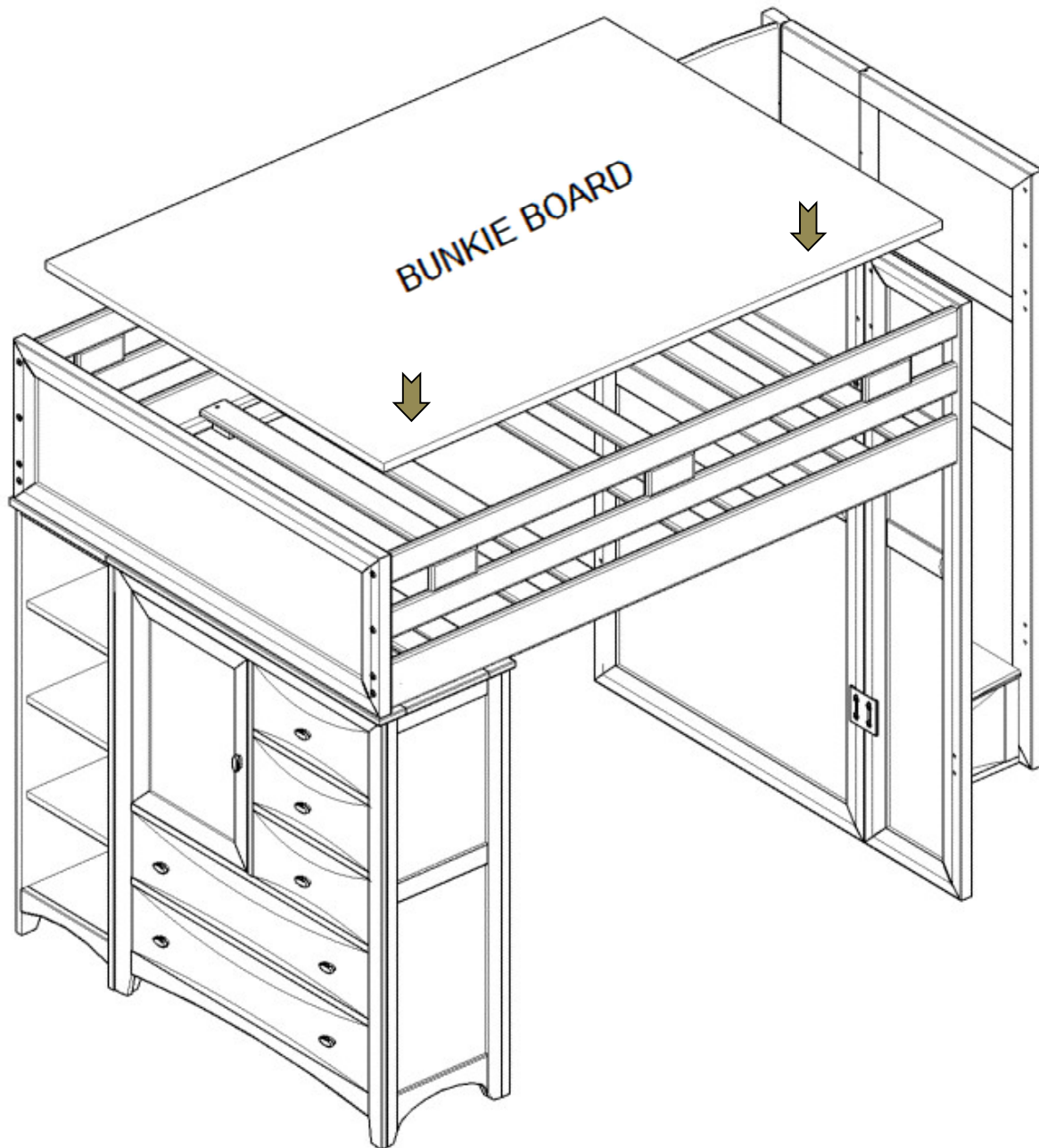
STEP 10



Assemble guardrails and tighten all bolts.
MAKE SURE ALL BOLTS ARE TIGHTENED COMPLETELY

ASSEMBLY INSTRUCTIONS

STEP 11



Place Bunkie boards (required, sold separately) on top of the slats

Use only correct mattress dimensions and Bunkie board:

Twin size mattress- 74" - 75" long and 37-1/2" - 38-1/2" wide

Twin size Bunkie board- 74" long and 37-1/2" wide

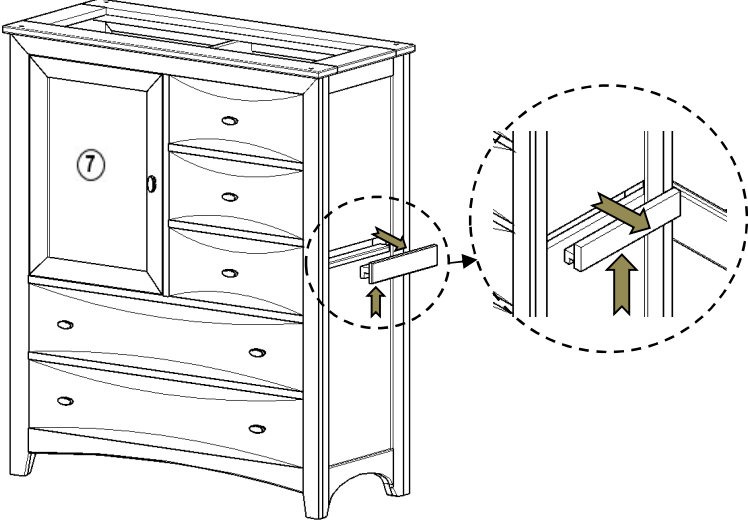
Full size mattress- 74" - 75" long and 52-1/2" - 53-1/2" wide

Full size Bunkie board- 74" long and 52-1/2" wide

PLEASE CONTACT YOUR RETAIL STORE WITH SERVICE OR PARTS REPLACEMENT REQUEST

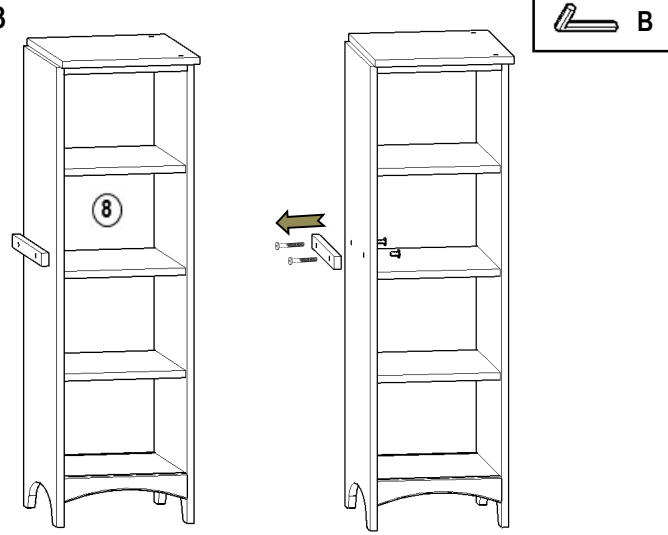
ASSEMBLY INSTRUCTIONS

STEP 12



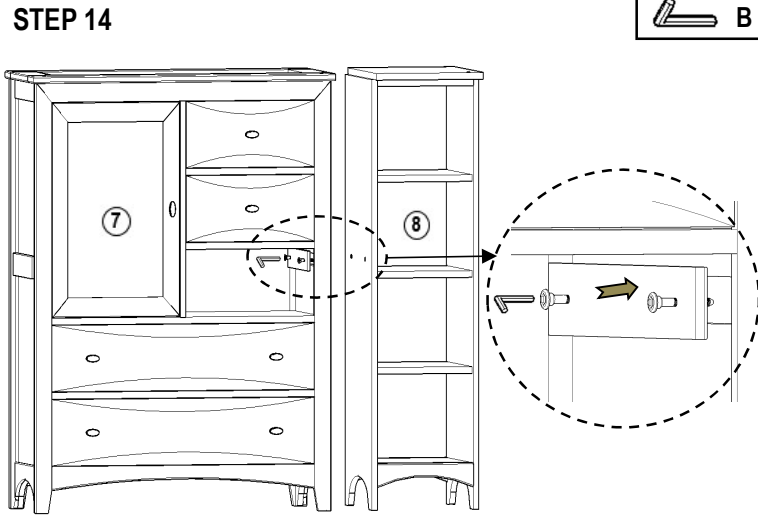
Remove center molding by lifting up then pulling out.

STEP 13



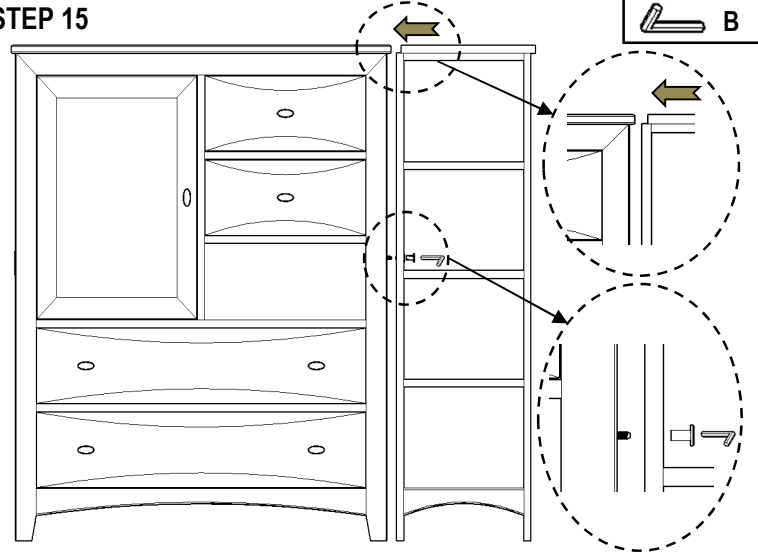
Remove fastening board and save for next step.

STEP 14



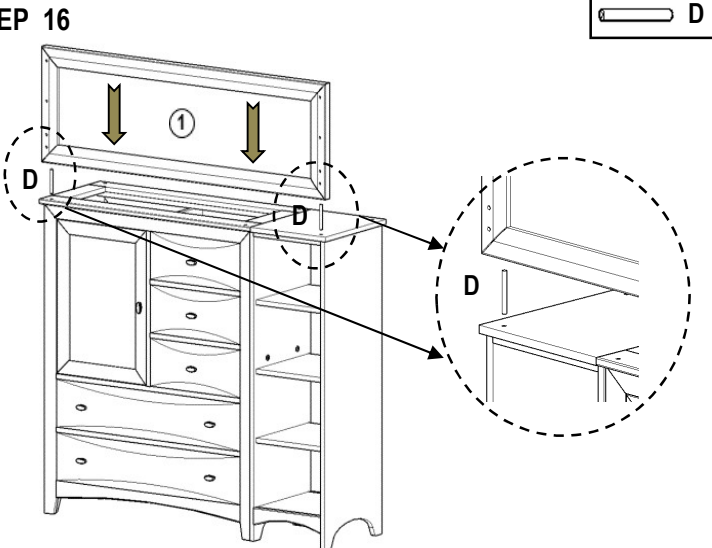
To assemble loft bookshelf and loft chest, first remove 3rd drawer and then use the fastening board and bolts previously removed as shown.

STEP 15



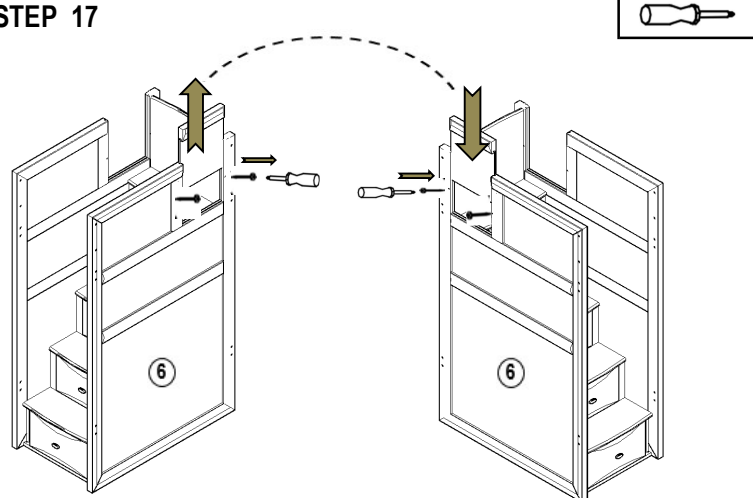
Align both pieces and tight completely.

STEP 16



Assemble loft chest/loft bookshelf and top bunk bed end.

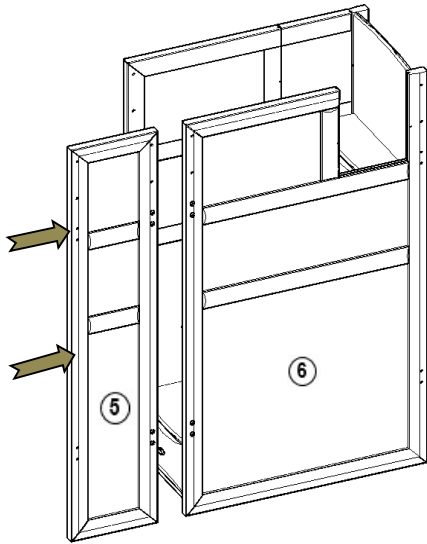
STEP 17



For stairs on the left, first remove the screws, then remove the panel and install it on the other side and secure with the screws.

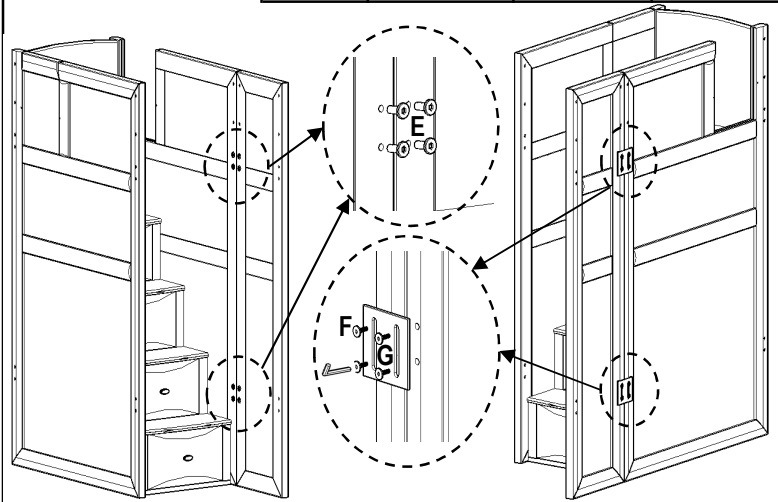
ASSEMBLY INSTRUCTIONS

STEP 18



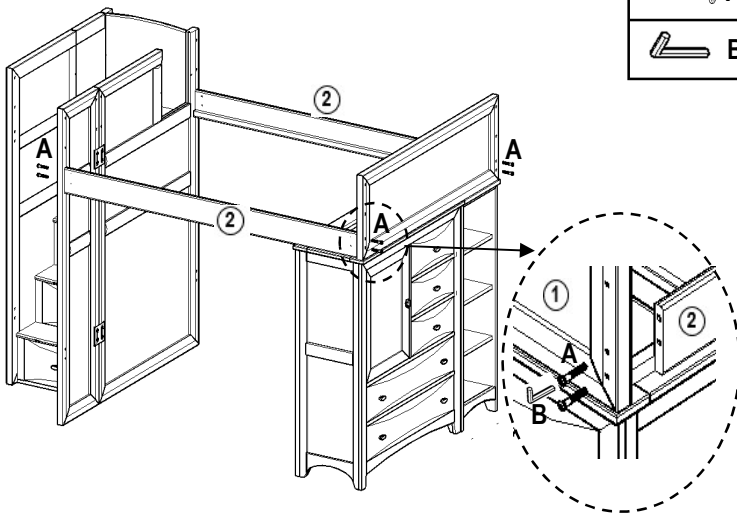
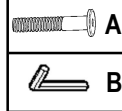
Assemble step bunk unit and extension kit, aligning inside and outside patterns and holes.

STEP 19



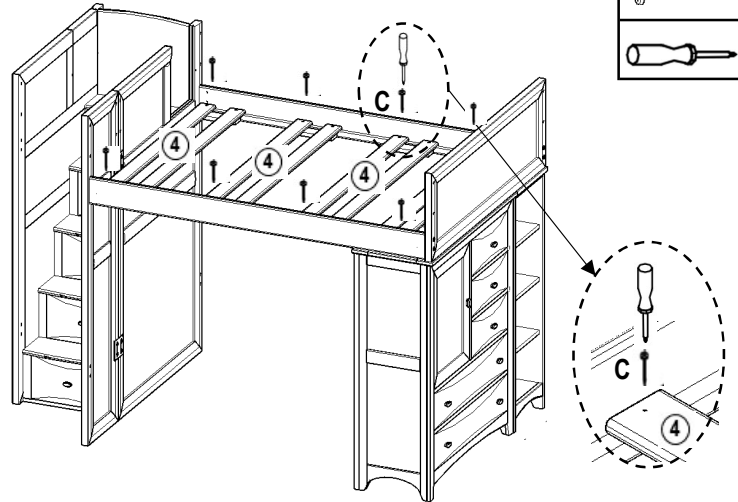
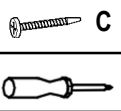
Fasten and make sure all bolts are tightened completely.

STEP 20



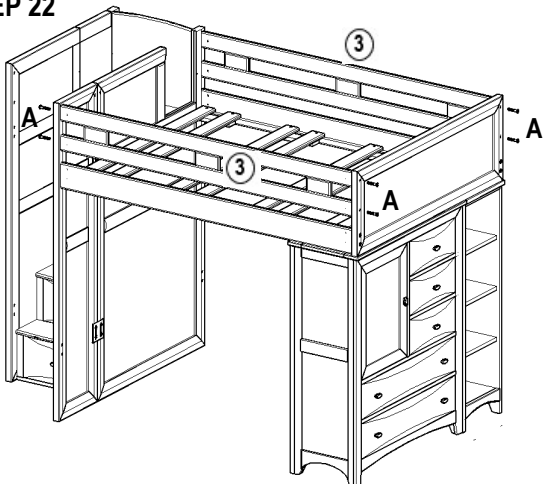
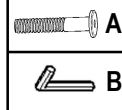
Assemble top side rails.

STEP 21



Install slats, one on each end, two equally spaced in the middle, then fasten with 1 1/4" screws.

STEP 22

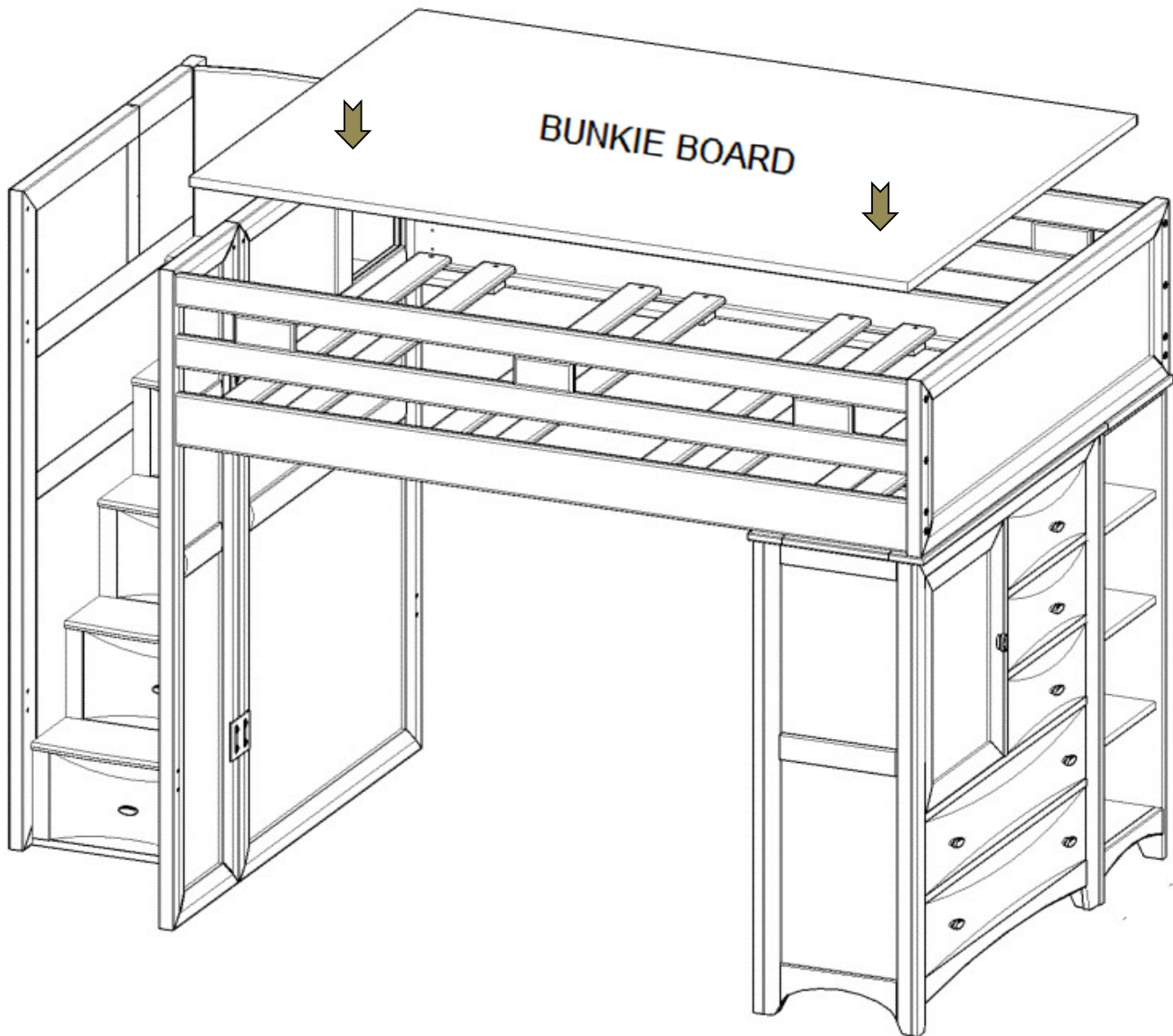


Assemble guardrails and tighten all bolts.

MAKE SURE ALL BOLTS ARE TIGHTENED COMPLETELY

ASSEMBLY INSTRUCTIONS

STEP 23



Place Bunkie boards (required, sold separately) on top of the slats

Use only correct mattress dimensions and Bunkie board:

Twin size mattress- 74" - 75" long and 37-1/2" - 38-1/2" wide

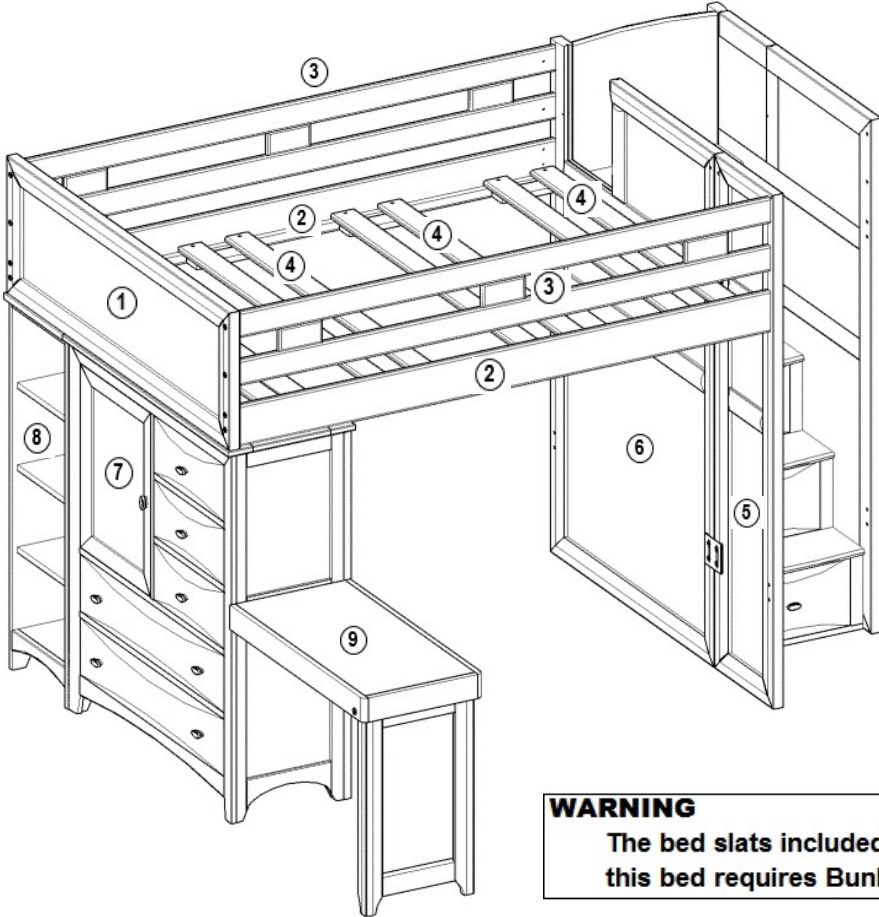
Twin size Bunkie board- 74" long and 37-1/2" wide

Full size mattress- 74" - 75" long and 52-1/2" - 53-1/2" wide

Full size Bunkie board- 74" long and 52-1/2" wide

PLEASE CONTACT YOUR RETAIL STORE WITH SERVICE OR PARTS REPLACEMENT REQUEST


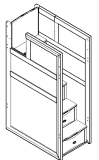





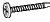
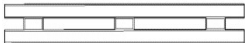
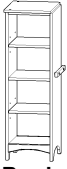


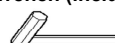
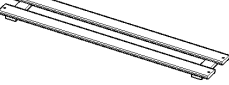

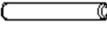

PARTS LIST



3642360P FULL STEP LOFT W/CHEST BOOKCASE & DESK ATT. WALNUT		
RTG SKU #	STYLE #	ITEM DESCRIPTION
35723609	3260160	STEP BUNK UNIT
35823601	3260703	FULL TOP BUNKBED END
36523606	3260731	2 SIDE RLS/2 GUARD RLS
35923603	3260711	5 DRW. LOFT CHEST
36023606	3260760	LOFT BOOKSHELF
36423604	3260783	FULL/FULL EXT. KIT
36123608	3260601	FOLDING DESK
38300238	100-648	FULL BUNK SLATS

3641326P FULL STEP LOFT W/CHEST BOOKCASE & DESK ATT. WHITE		
RTG SKU #	STYLE #	ITEM DESCRIPTION
35713266	3261160	STEP BUNK UNIT
35813268	3261703	FULL TOP BUNKBED END
36513263	3261731	2 SIDE RLS/2 GUARD RLS
35913260	3261711	5 DRW. LOFT CHEST
36013263	3261760	LOFT BOOKSHELF
36413261	3261783	FULL/FULL EXT. KIT
36113265	3261601	FOLDING DESK
38300238	100-648	FULL BUNK SLATS

WARNING
 The bed slats included with this bed will not support a mattress alone, this bed requires Bunkie boards (sold separately)

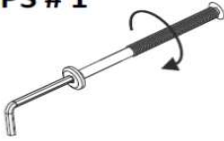
PARTS LIST		QTY	PARTS LIST		QTY	HARDWARE LIST		QTY	HARDWARE LIST		QTY
1		1 Pc	6		1 Pc	A		16 Pcs	G		2 Pcs
Full top bunk bed end			Step bunk unit			50 mm Bolts			Metal plates		
2		2 Pc	7		1 Pc	B		1 Pc	H		1 Pc
Side rails			5 Drw Loft chest			Allen wrench			3/4" Screw		
3		2 Pc	8		1 Pc	C		10 Pcs	TOOLS NEEDED Phillips screwdriver (not included)  Allen wrench (included) 		
Guardrails			Loft Bookshelf			1 1/4" Screws					
4		4 Pc	9		1 Pc	D		2 Pcs			
Slats			Folding desk			Metal pin					
5		1 Pc									
Ext. kit full/full			TWO PEOPLE ARE NEEDED TO ASSEMBLE DO NOT TIGHTEN COMPLETELY UNTIL ALL PIECES ARE CONNECTED TOGETHER								

ASSEMBLY INSTRUCTIONS

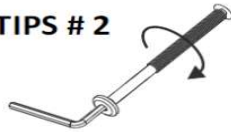
TIPS : SEE ILLUSTRATION BELOW

- 1- Use the long end of the allen wrench to fasten bolts loosely and quickly.
- 2- Use the short end of the allen wrench for final tightening

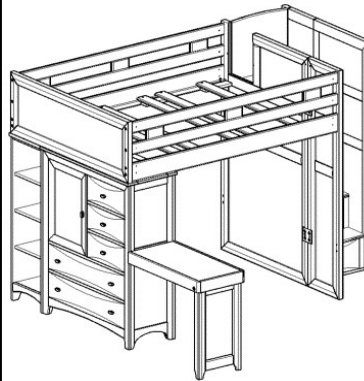
TIPS # 1



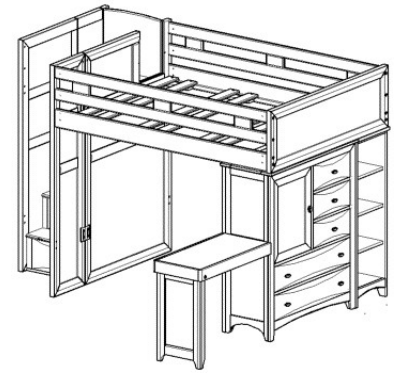
TIPS # 2



FIRST DETERMINE THE CONFIGURATION THAT FITS YOUR ROOM

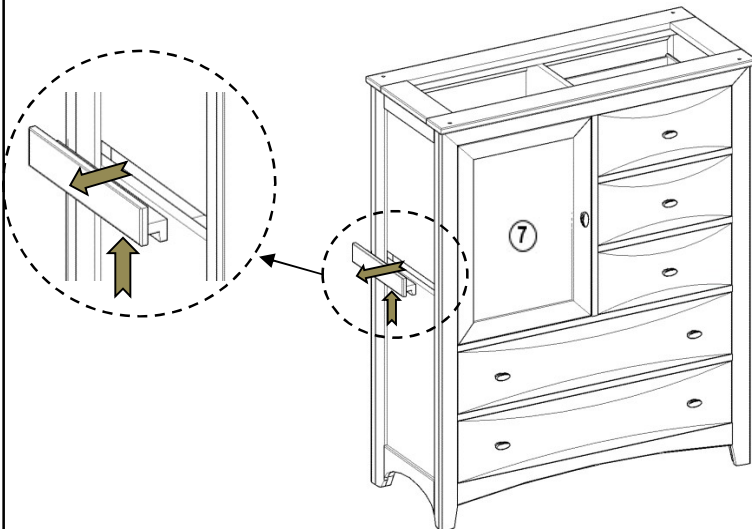


STAIRS ON THE RIGHT
(Factory setting)
Step 1-17



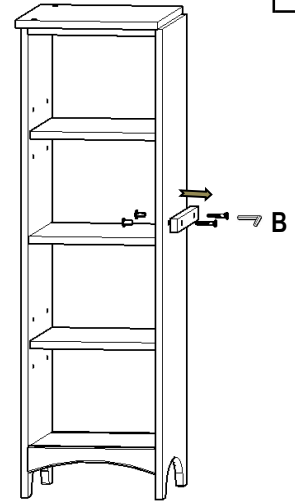
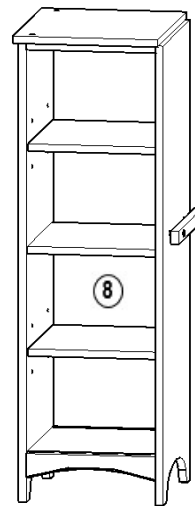
STAIRS ON THE LEFT
Step 18-35

STEP 1



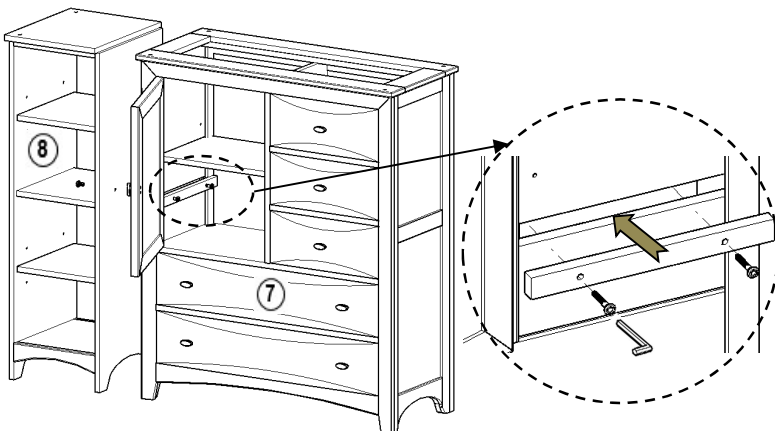
Remove center molding by lifting up then pulling out.

STEP 2



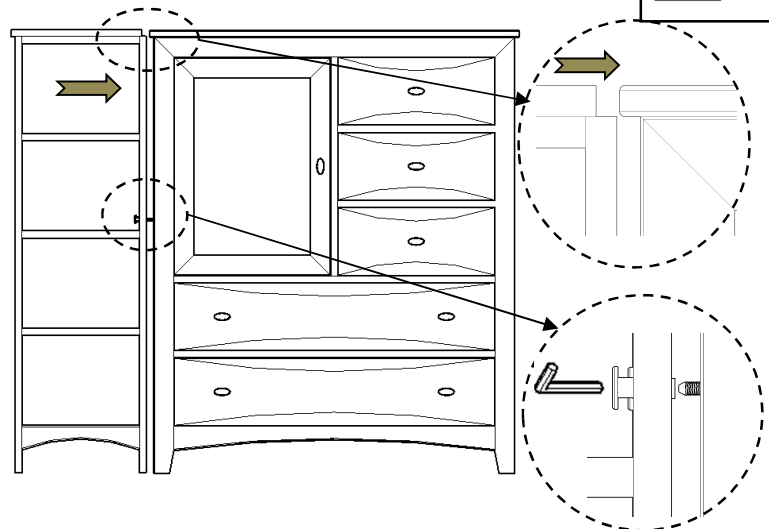
Remove fastening board and save for next step.

STEP 3



Assemble loft bookshelf and loft chest, using the fastening board and bolts previously removed as shown.

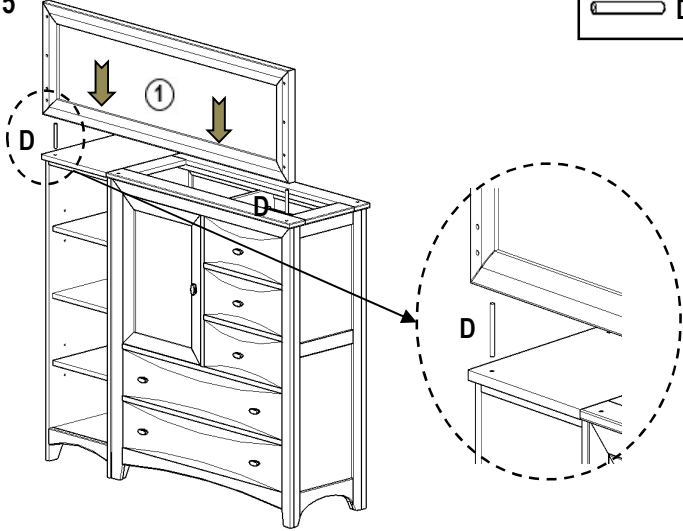
STEP 4



Align both pieces and tight completely.

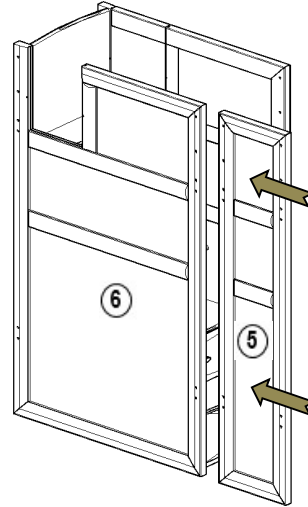
ASSEMBLY INSTRUCTIONS

STEP 5



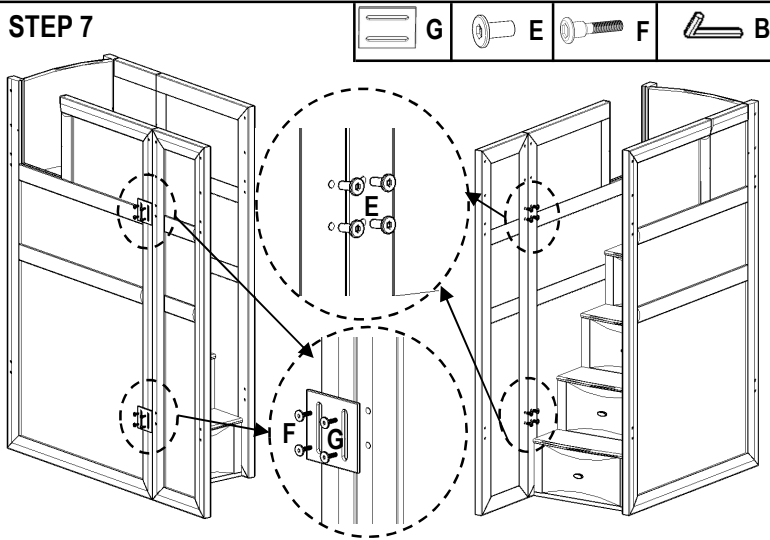
Assemble loft chest/loft bookshelf and top bunk bed end.

STEP 6



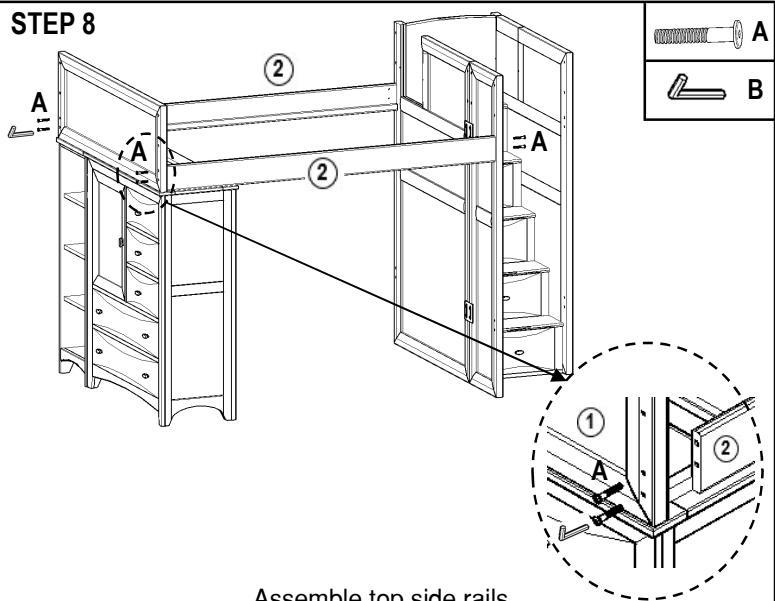
Assemble step bunk unit and extension kit aligning inside and outside pattern and holes.

STEP 7



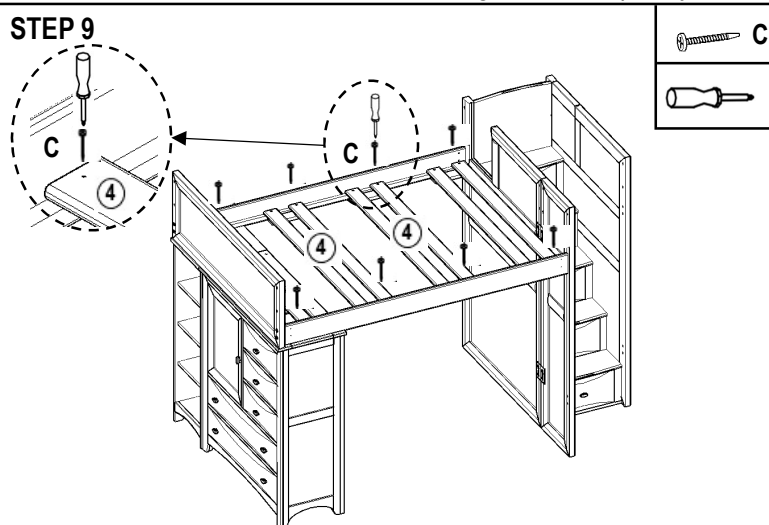
Fasten and make sure all bolts are tightened completely.

STEP 8



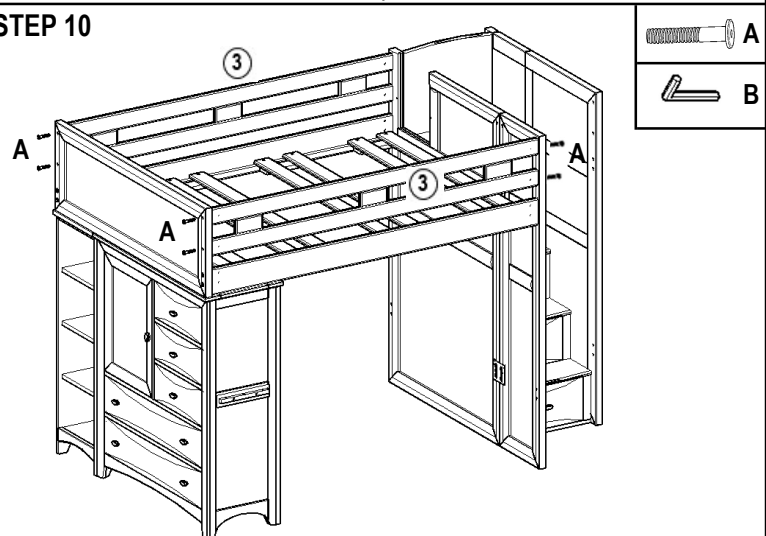
Assemble top side rails.

STEP 9



Install slats, one on each end, two equally spaced in the middle, then fasten with 1 1/4" screws.

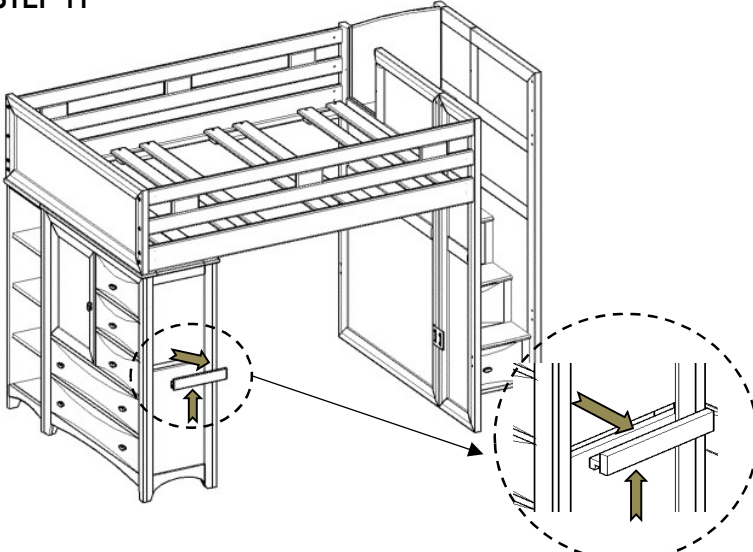
STEP 10



Assemble guardrails and tighten all bolts.
MAKE SURE ALL BOLTS ARE TIGHTENED COMPLETELY

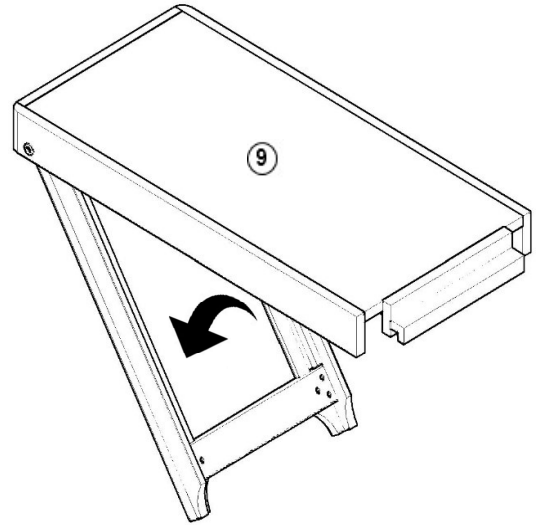
ASSEMBLY INSTRUCTIONS

STEP 11



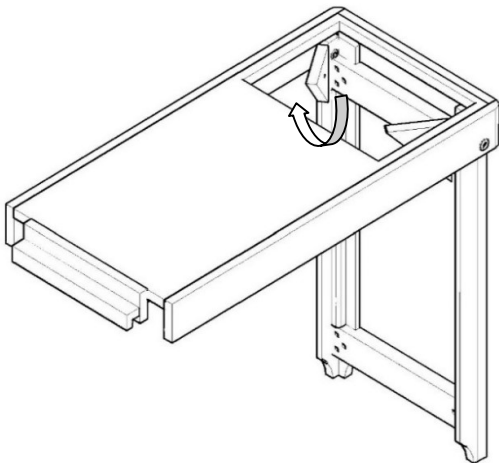
Remove center molding by lifting up then pulling out.

STEP 12



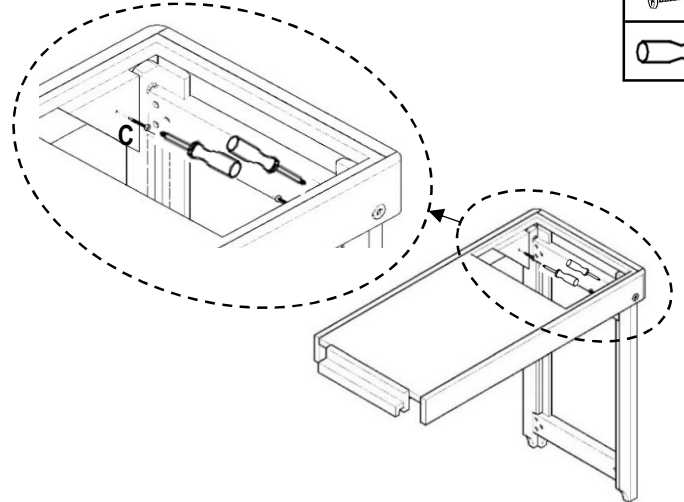
Unfold desk leg.

STEP 13



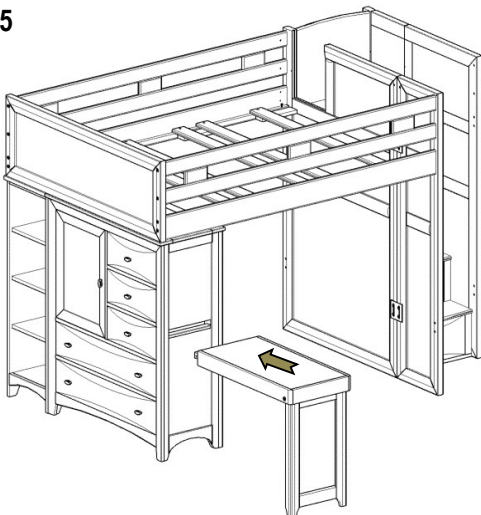
Unfold corner supports

STEP 14



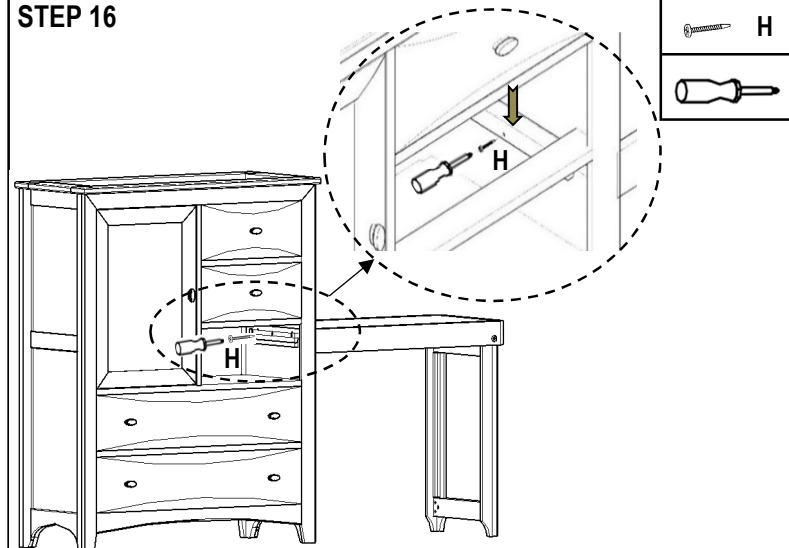
Secure each corner block with 1 1/4" screw in the pre-bore hole.

STEP 15



Place folding desk by sliding into the opening of left chest then push down

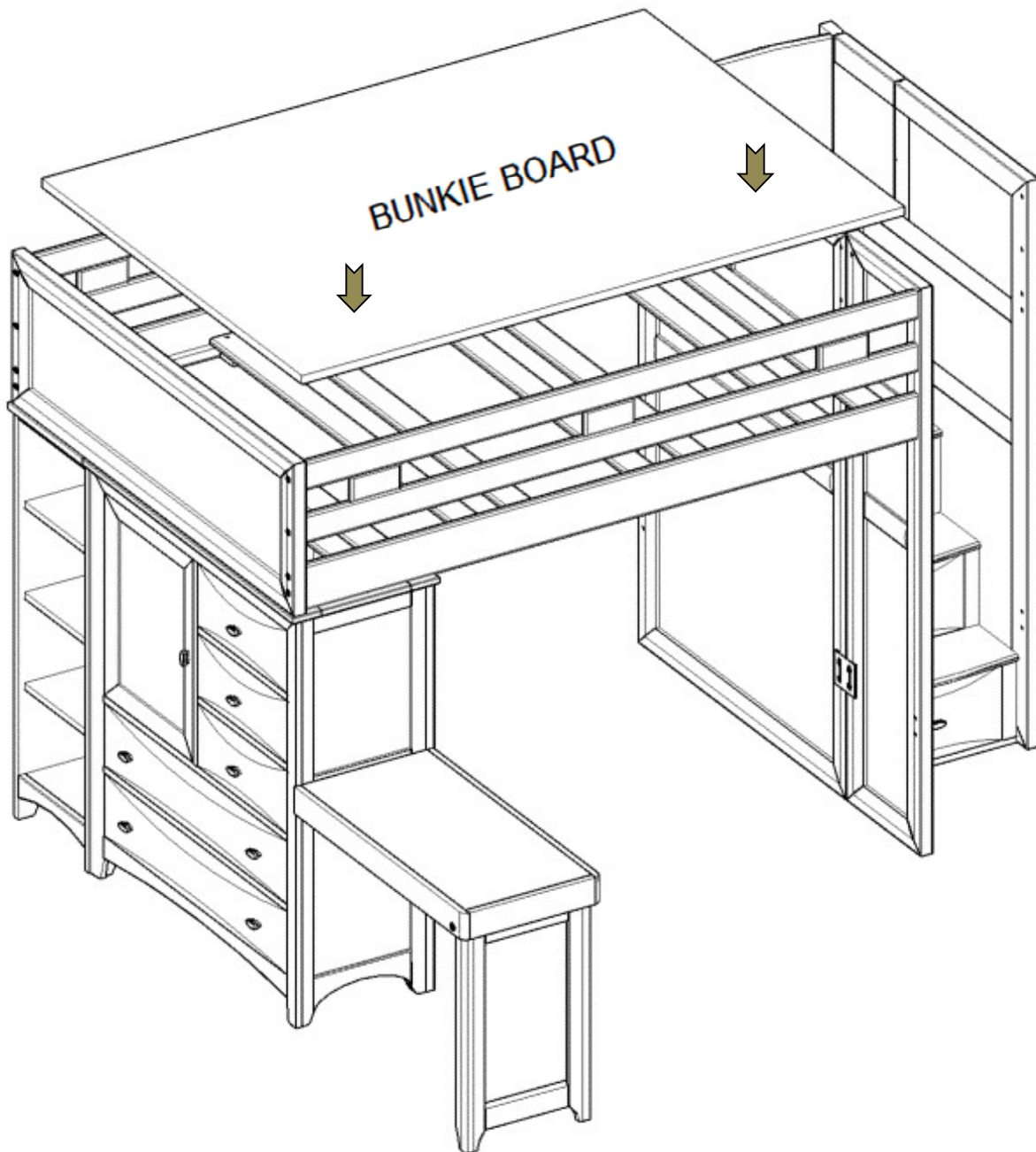
STEP 16



Remove third drawer, and secure desk with one 3/4" screw then place back the drawer.

ASSEMBLY INSTRUCTIONS

STEP 17



Place Bunkie boards (required, sold separately) on top of the slats

Use only correct mattress dimensions and Bunkie board:

Twin size mattress- 74" - 75" long and 37-1/2" - 38-1/2" wide

Twin size Bunkie board- 74" long and 37-1/2" wide

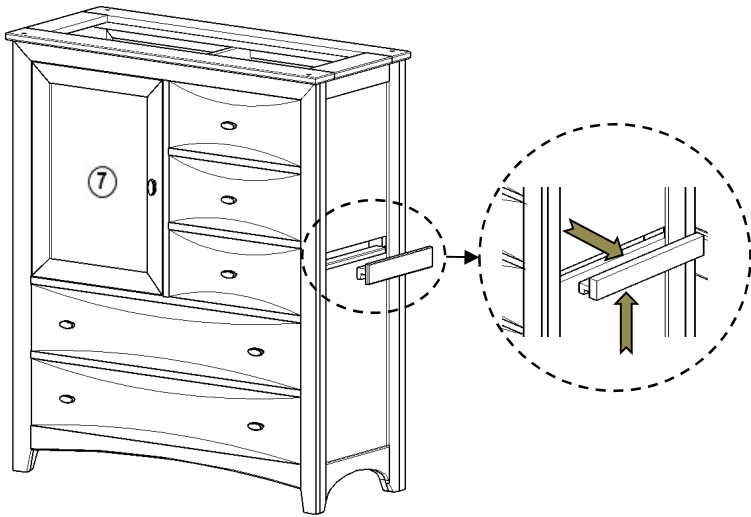
Full size mattress- 74" - 75" long and 52-1/2" - 53-1/2" wide

Full size Bunkie board- 74" long and 52-1/2" wide

PLEASE CONTACT YOUR RETAIL STORE WITH SERVICE OR PARTS REPLACEMENT REQUEST

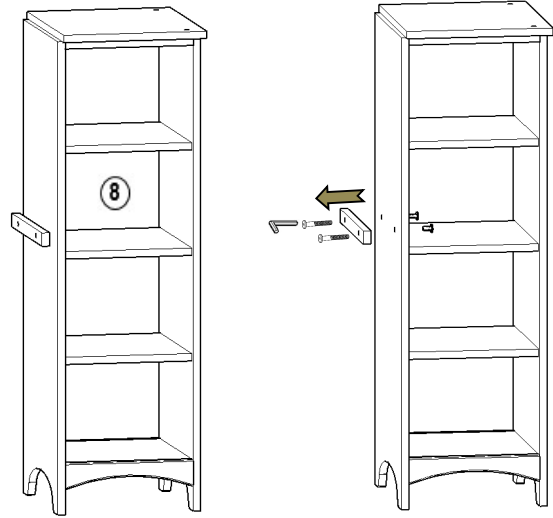
ASSEMBLY INSTRUCTIONS

STEP 18



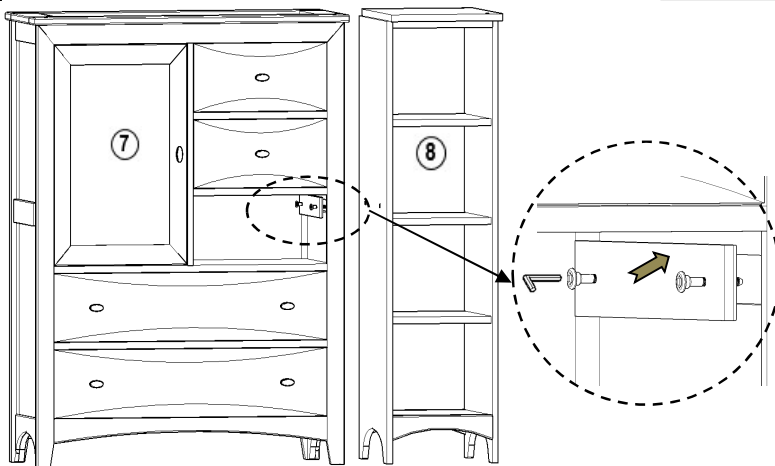
Remove center molding by lifting up then pulling out.

STEP 19



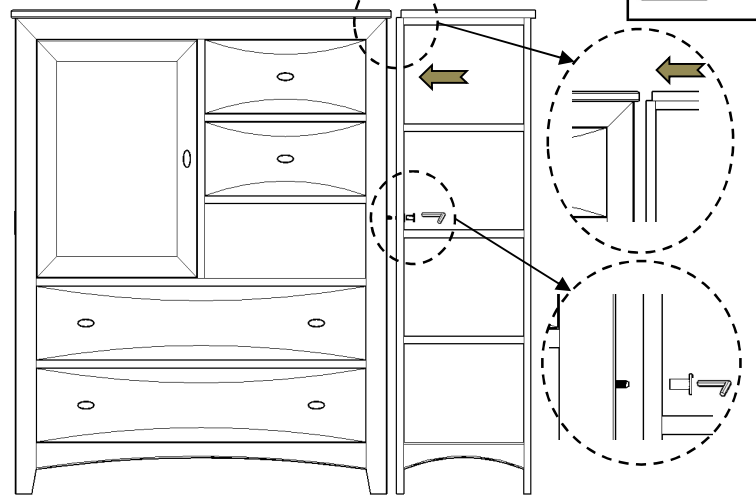
Remove fastening board and save for next step.

STEP 20



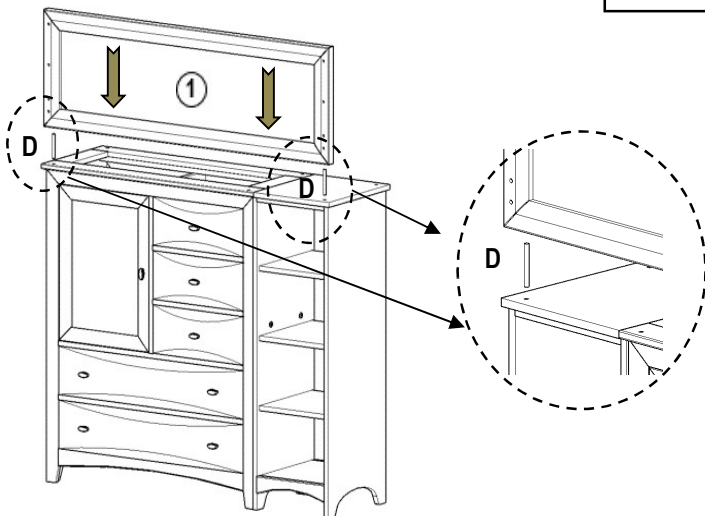
To assemble loft bookshelf and loft chest, first remove 3rd drawer and then use the fastening board and bolts previously removed as shown.

STEP 21



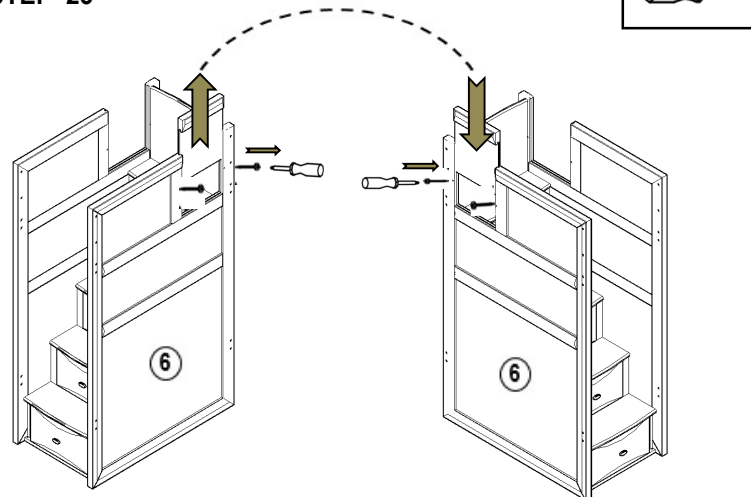
Align both pieces and tight completely.

STEP 22



Assemble loft chest/loft bookshelf and top bunk bed end.

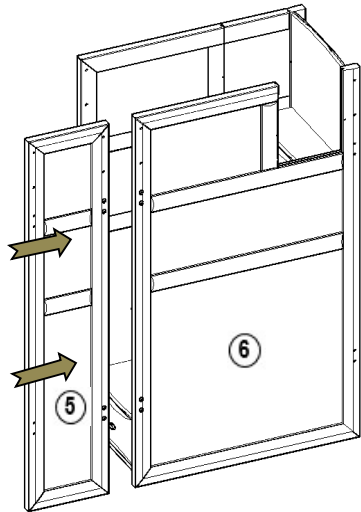
STEP 23



For stairs on the left, first remove the screws, then remove the panel and install it on the other side and secure with the screws.

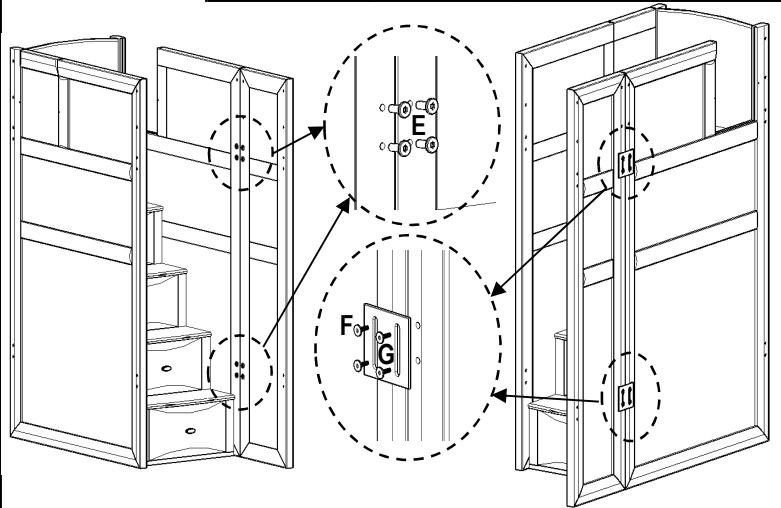
ASSEMBLY INSTRUCTIONS

STEP 24



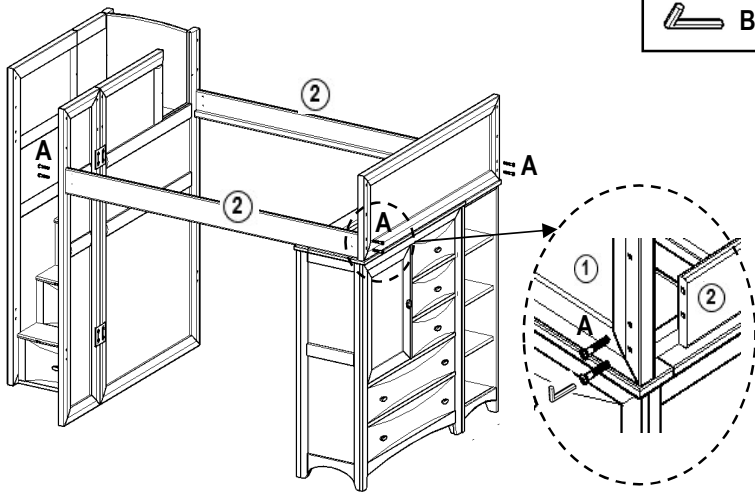
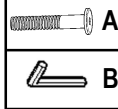
Assemble step bunk unit and extension kit aligning inside and outside patterns and holes.

STEP 25



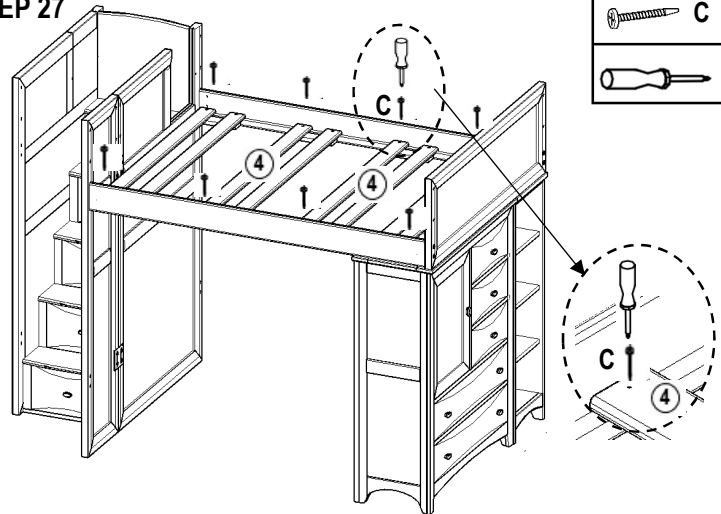
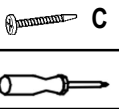
Fasten and make sure all bolts are tightened completely.

STEP 26



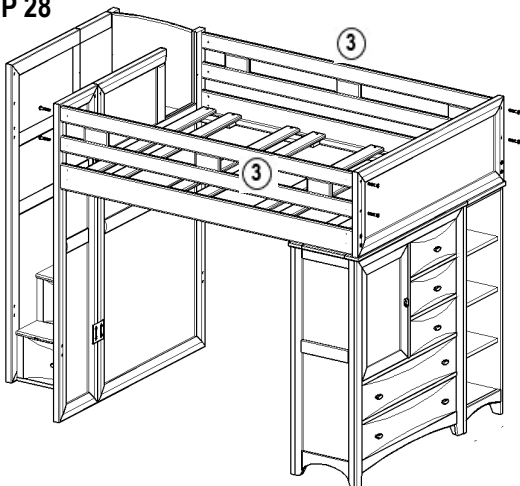
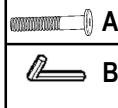
Assemble top side rails.

STEP 27



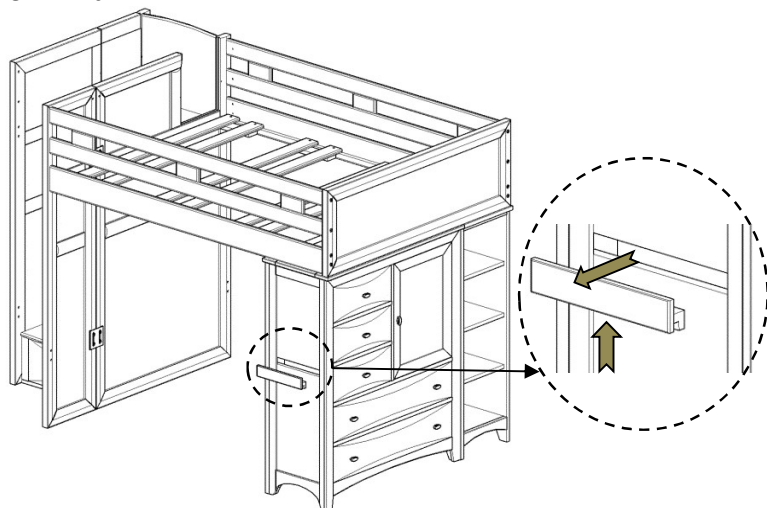
Install slats, one on each end, two equally spaced in the middle, then fasten with 1 1/4" screws.

STEP 28



Assemble guardrails and tighten all bolts.
MAKE SURE ALL BOLTS ARE TIGHTENED COMPLETELY

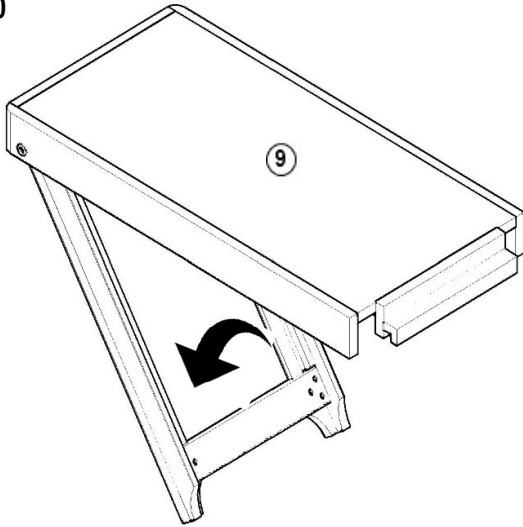
STEP 29



Remove center molding by lifting up then pulling out.

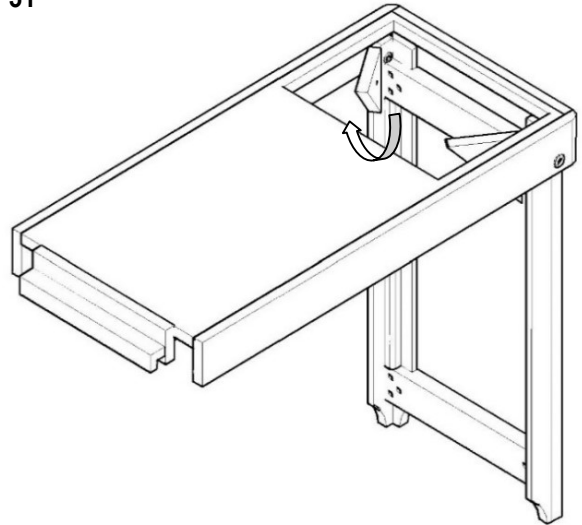
ASSEMBLY INSTRUCTIONS

STEP 30



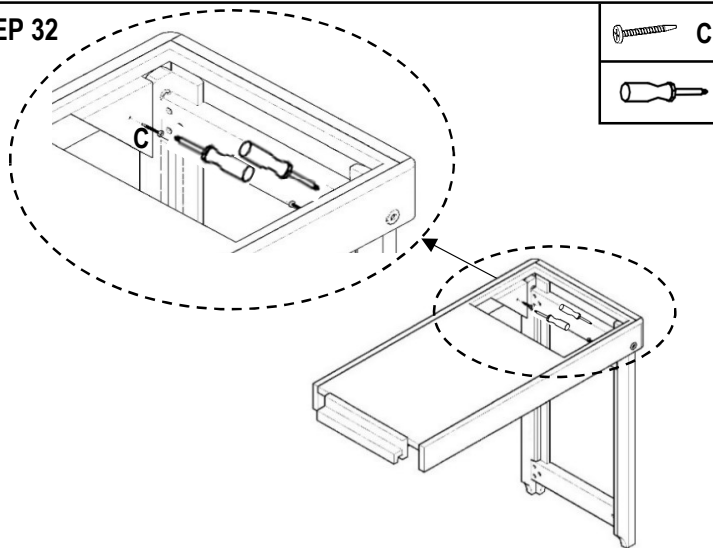
Unfold desk leg.

STEP 31



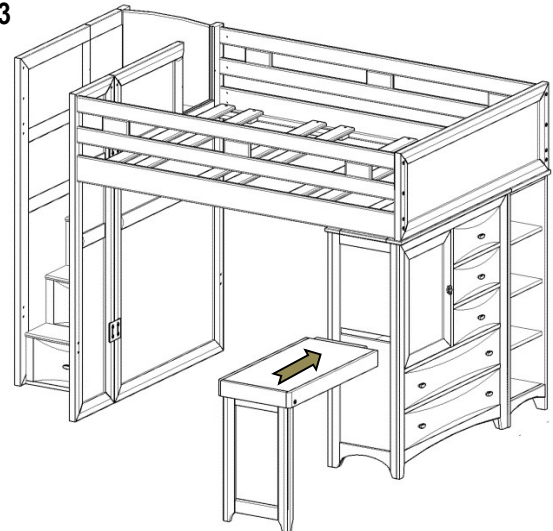
Unfold corner supports.

STEP 32



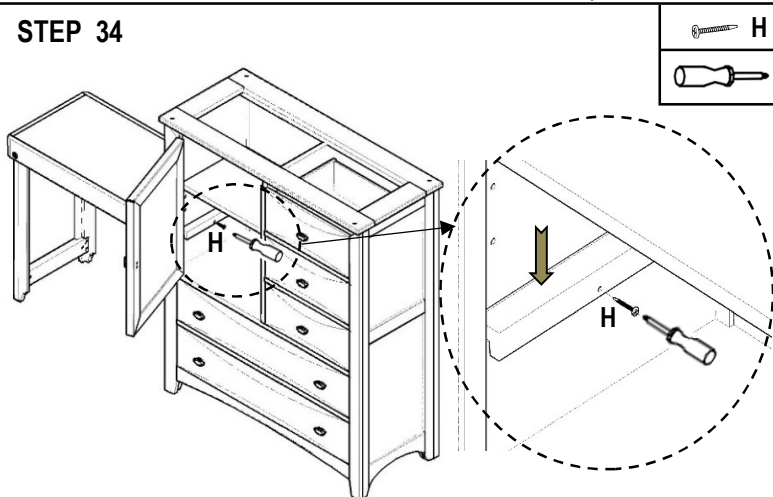
Secure each corner block with 1 1/4" screw in the pre-bore hole.

STEP 33



Place folding desk by sliding into the opening of left chest then push down.

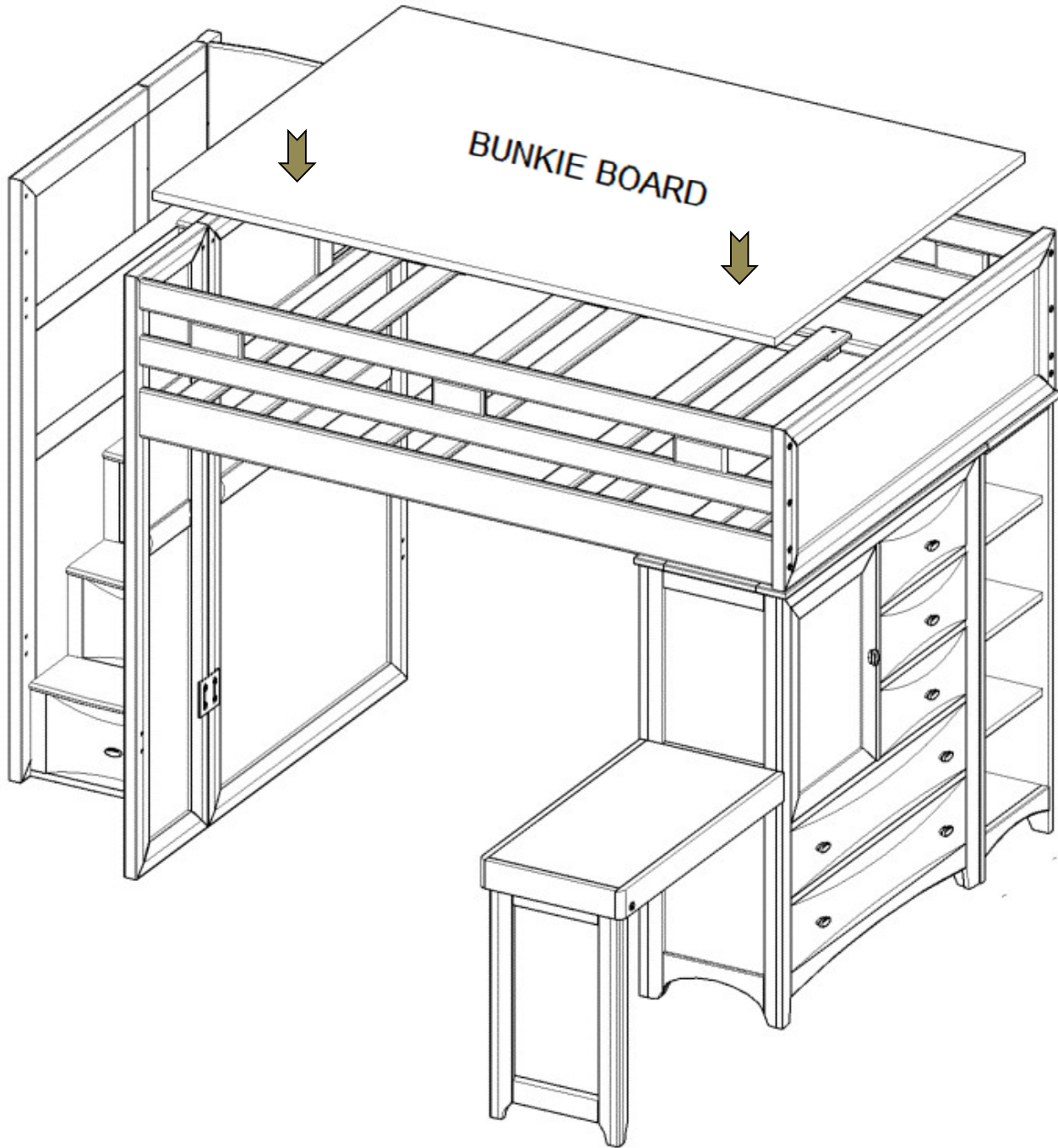
STEP 34



Open the door and secure desk it with one 3/4" screw.

ASSEMBLY INSTRUCTIONS

STEP 35



Place Bunkie boards (required, sold separately) on top of the slats

Use only correct mattress dimensions and Bunkie board:

Twin size mattress- 74" - 75" long and 37-1/2" - 38-1/2" wide

Twin size Bunkie board- 74" long and 37-1/2" wide

Full size mattress- 74" - 75" long and 52-1/2" - 53-1/2" wide

Full size Bunkie board- 74" long and 52-1/2" wide

PLEASE CONTACT YOUR RETAIL STORE WITH SERVICE OR PARTS REPLACEMENT REQUEST