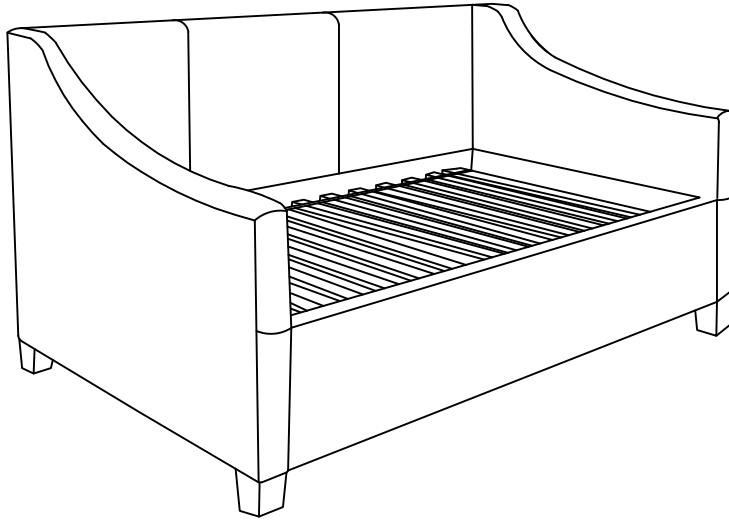


DAELAN TWIN/FULL DAYBED


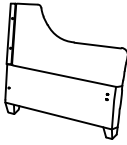
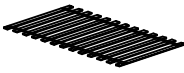



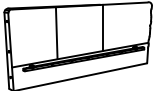
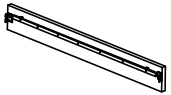
3604344P - TWIN DAY BED - BLUE		
SKU #	ITEM#	ITEM DESCRIPTION
36043444	43BU-27HF	TWIN HDB/FTB/ SLATS
36243448	43BU-29R	FRONT/BACK PANEL

3644344P - TWIN DAY BED - DARK GRAY		
SKU #	ITEM#	ITEM DESCRIPTION
36543444	44DG-27HF	TWIN HDB/FTB/ SLATS
36743448	44DG-29R	FRONT/BACK PANEL

3614344P - FULL DAY BED - BLUE		
SKU #	ITEM#	ITEM DESCRIPTION
36143446	43BU-28HF	FULL HDB/FTB/ SLATS
36243448	43BU-29R	FRONT/BACK PANEL

3654344P - FULL DAY BED - DARK GRAY		
SKU #	ITEM#	ITEM DESCRIPTION
36643446	44DG-28HF	FULL HDB/FTB/ SLATS
36743448	44DG-29R	FRONT/BACK PANEL



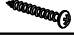


TWIN/FULL HEADBOARD FOOTBOARD PARTS LIST			
A	Headboard		1pc
B	Footboard		1pc
E	Straight Slats		13pcs
F	Wood Blocker		2pcs
(Full Daybed only)			

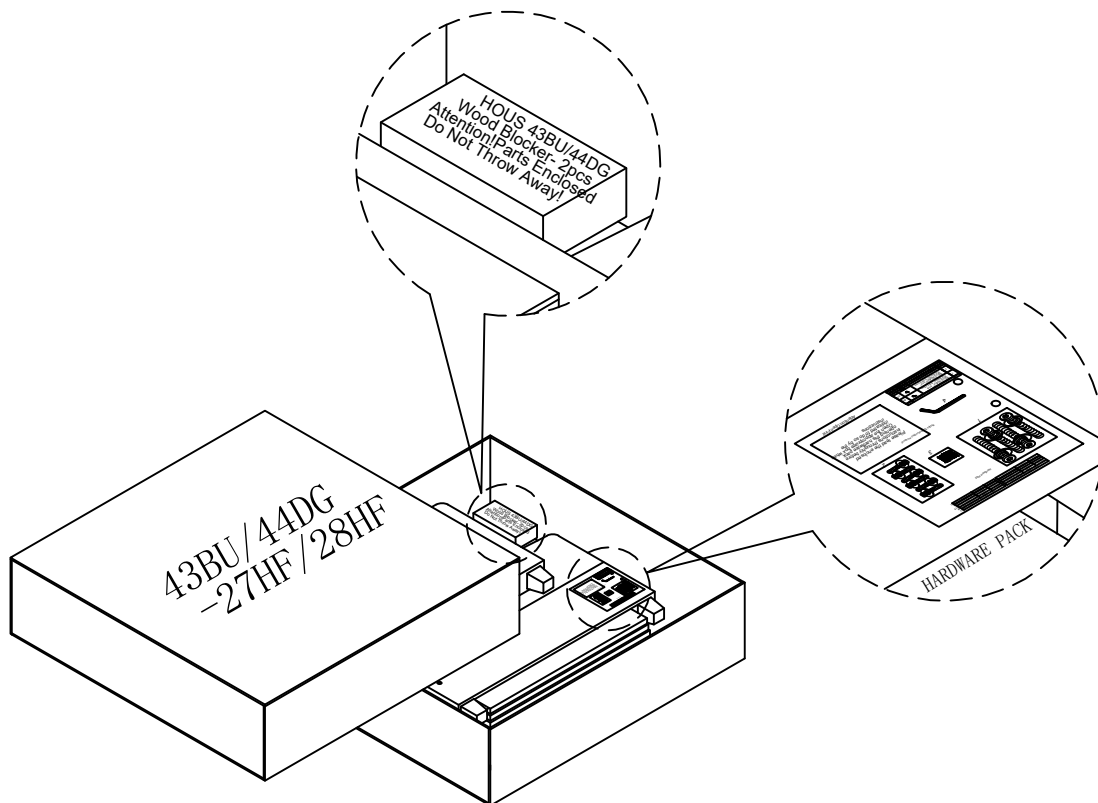
BACK PANEL & RAILS PARTS LIST			
C	Back Panel		1pc
D	Front Bed Rail		1pc

This product is manufactured by HOUS for **ROOMSTOGO | KIDS**

DO NOT USE SUBSTITUTE PARTS. PLEASE CONTACT YOUR RETAIL STORE OR www.roomstogo.com
WITH SERVICE OR PARTS REPLACEMENT REQUEST

DAELAN TWIN/FULL DAYBED

TWIN/FULL HEADBOARD FOOTBOARD HARDWARE LIST			QTY
1	Bolt $\phi 5/16$ "*38*2-1/4" Spring Washer $\phi 5/16$ " Flat Washer $\phi 5/16$ "*13mm (Full Daybed only)		4Pcs
2	Bolt $\phi 5/16$ "*38*2-1/4" Spring Washer $\phi 5/16$ " Flat Washer $\phi 5/16$ "*22mm		6Pcs
3	Screw #8*1-3/8"		6Pcs
4	Allen Key 65*25*5mm		1Pc
5	Phillips Screwdriver(Not Provided)		



Hardware Pack Location(s):

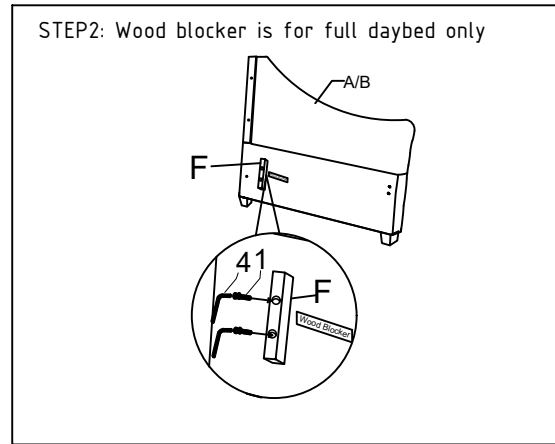
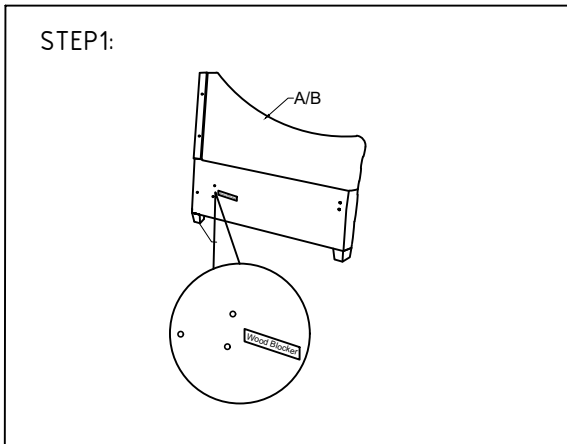
TWIN&FULL Headboard & Footboard & slats 43BU-27HF/28HF SKU# 36043444 / 36143446
 TWIN&FULL Headboard & Footboard & slats 44DG-27HF/28HF SKU# 36543444 / 36643446

This product is manufactured by HOUS for **ROOMSTOGO | KIDS**

DO NOT USE SUBSTITUTE PARTS. PLEASE CONTACT YOUR RETAIL STORE OR www.roomstogo.com
 WITH SERVICE OR PARTS REPLACEMENT REQUEST

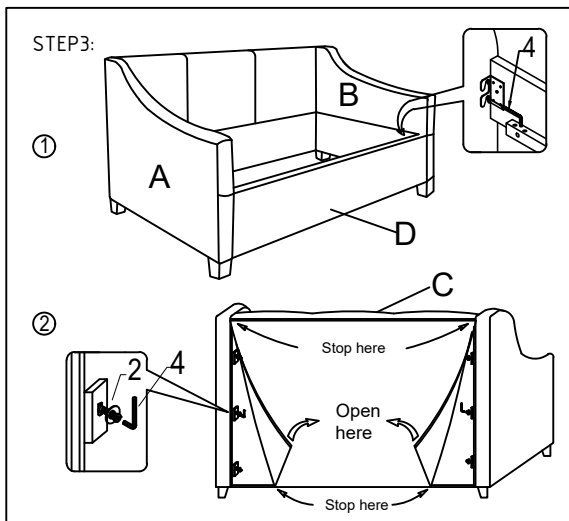
ASSEMBLY INSTRUCTION

***Caution: Please read all instructions carefully before starting the assembly process. These parts are cumbersome and heavy. Therefore, two people are recommended in order to prevent personal injury and ensure the parts are not damaged during the assembly.

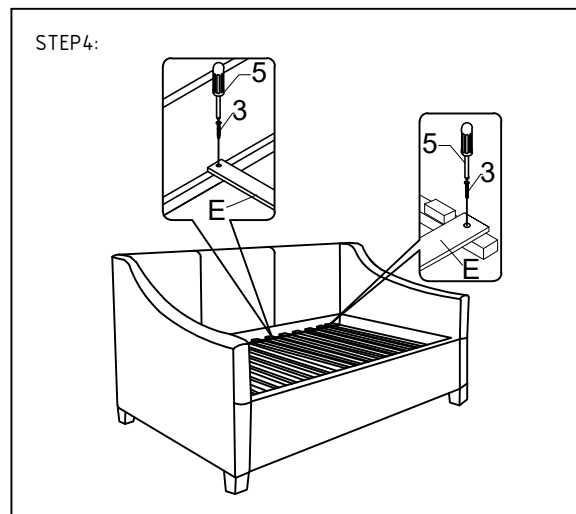


For full size Headboard(A) & Footboard(B), attach the Wood blocker (F) with bolts (1), tighten the bolt (1) with Allen key (4) as shown.

Caution : For twin size Headboard & Footboard without the wood Blocker, please skip to next step.



- ① Loosen bolts on Headboard(A) and Footboard(B), place Front bed rails(D) into position, tighten bolts on headboard & footboard with Allen Key (4).
- ② Open the velcro on Back panel(C) from the bottom corner, place Back Panel(C) into position, tighten bolts(2) into headboard and footboard with Allen Key(4).



Place Straight slats(E) on the support rails as STEP4 shows.
Then secure slats by screw(3) at spot F as STEP4 shows.

This product is manufactured by HOUS for **ROOMSTOGO | KIDS**

DO NOT USE SUBSTITUTE PARTS. PLEASE CONTACT YOUR RETAIL STORE OR www.roomstogo.com
WITH SERVICE OR PARTS REPLACEMENT REQUEST