



# ASSEMBLY INSTRUCTIONS

ITEM NO: SLAW 5137/5138/5139-801

SKU: 36451374/36451386/36451398

DESCRIPTION : TRUNDLE STORAGE UNIT

Thank you for purchasing this quality product. Be sure to check all packing material carefully for small Hardware which may have come loose inside the carton during shipment. Identify and count all Hardware and compare with the Hardware List Below.

HARDWARE LIST				
No.	Drawing	Description	Size	Qty.
1		Bolt Handle	5/32" x 21.5mm	6 PCS
2		Handle Pull		3 PCS
3		Screw	M4 x 15mm	6 PCS
4		Plastic Plate		2 PCS

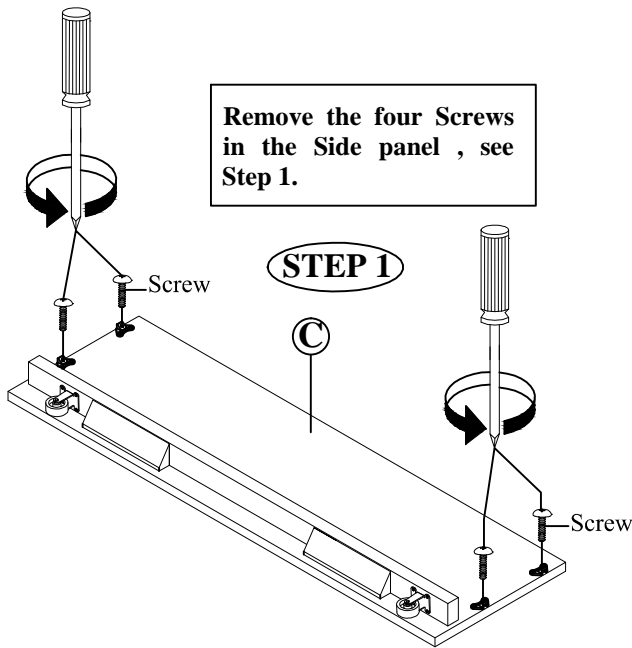
PARTS LIST			
No.	Drawing	Description	Qty.
A		Front Panel	1 PC
B		Back Panel	1 PC
C		Side Panel	2 PCS
D		Metal Bar	1 PC
E		Divider Panel	1 PC
F		Bottom Panel	2 PCS

TOOLS REQUIRED (NOT PROVIDED)

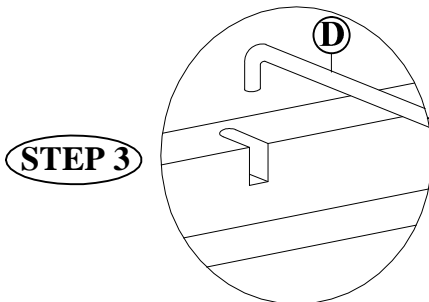
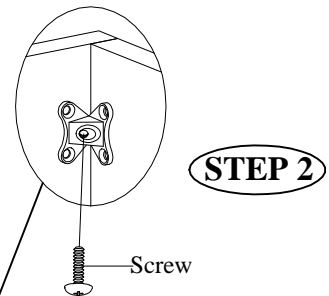
PHILLIPS SCREWDRIVER

**IMPORTANT!!**

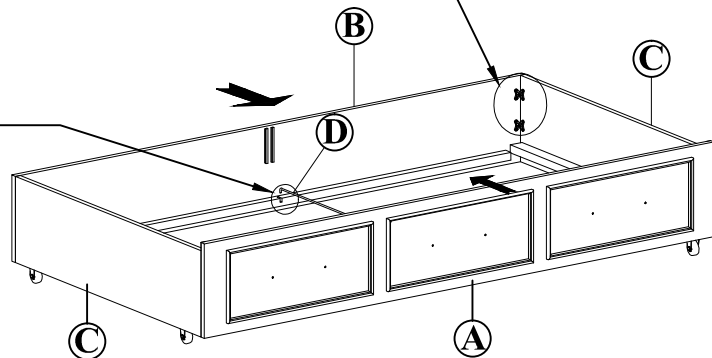
Handle very carefully. Hinged panel can break off prior to assembly. Do not allow hinged panels to swing freely.



**Attach the Back panel and Side Panel then reinstall the four Screws.**



**NOTE !!**  
Push Front Panel and Back Panel inside and insert Metal Bar into hole (See Step 3).



MADE IN VIET NAM

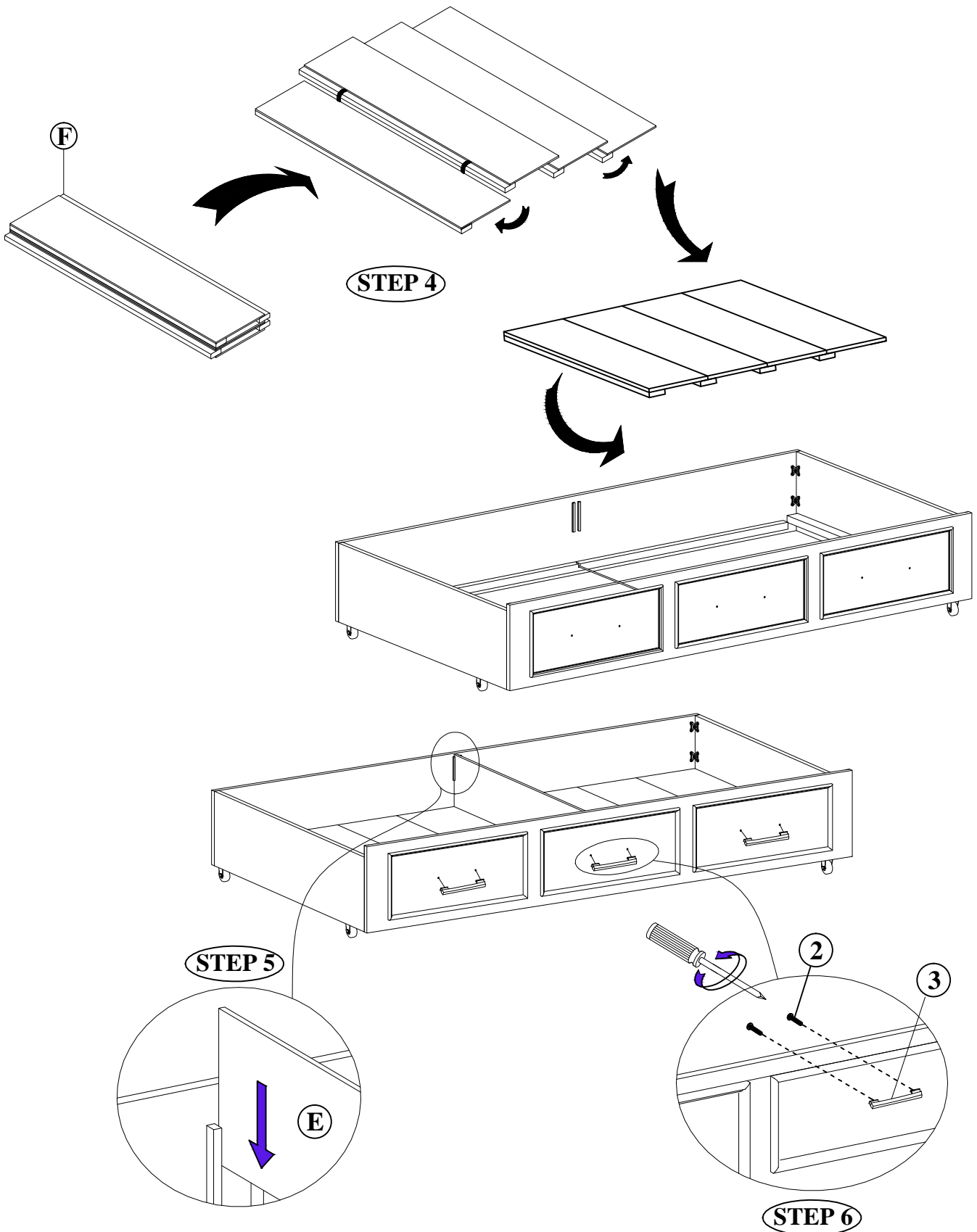


# ASSEMBLY INSTRUCTIONS

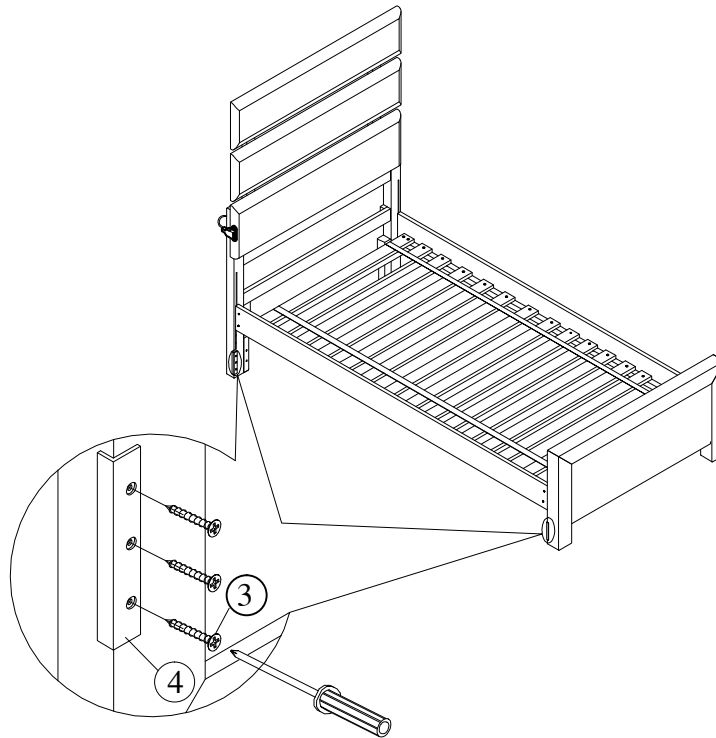
ITEM NO: SLAW 5137 / 5138 / 5139 -801

SKU: 36451374/36451386/36451398

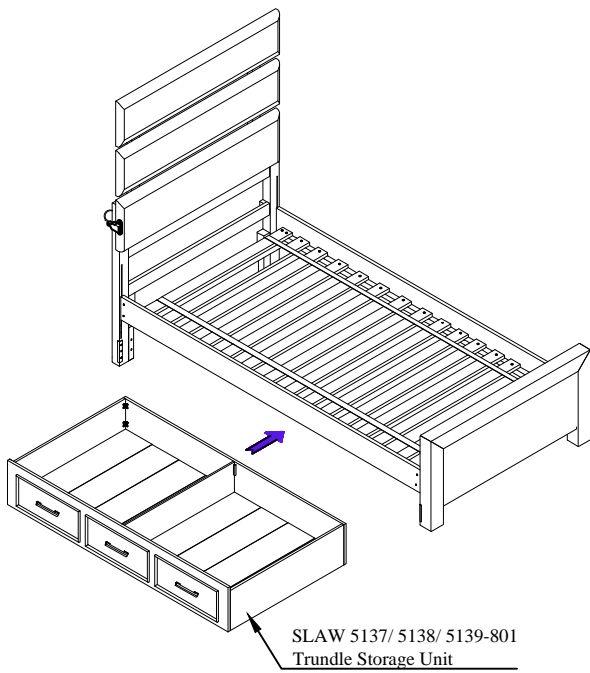
DESCRIPTION : TRUNDLE STORAGE UNIT



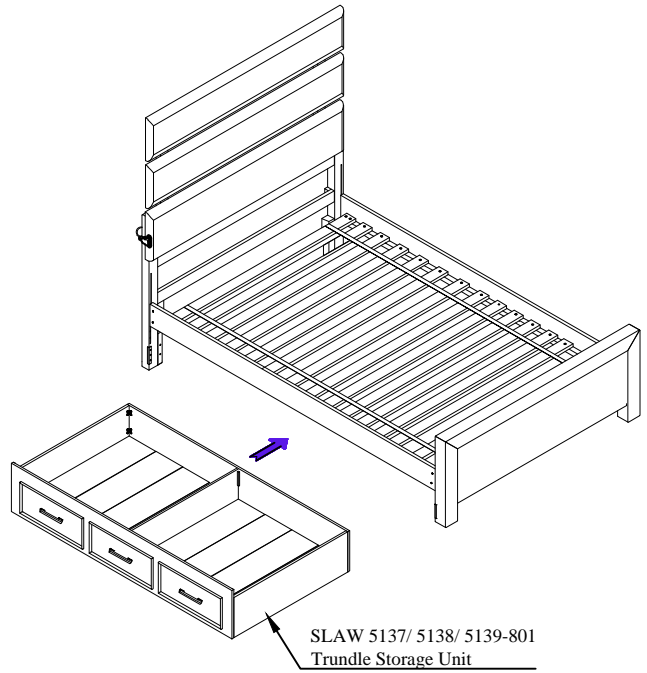
**OPTIONAL TRUNDLE BED ASSEMBLY**



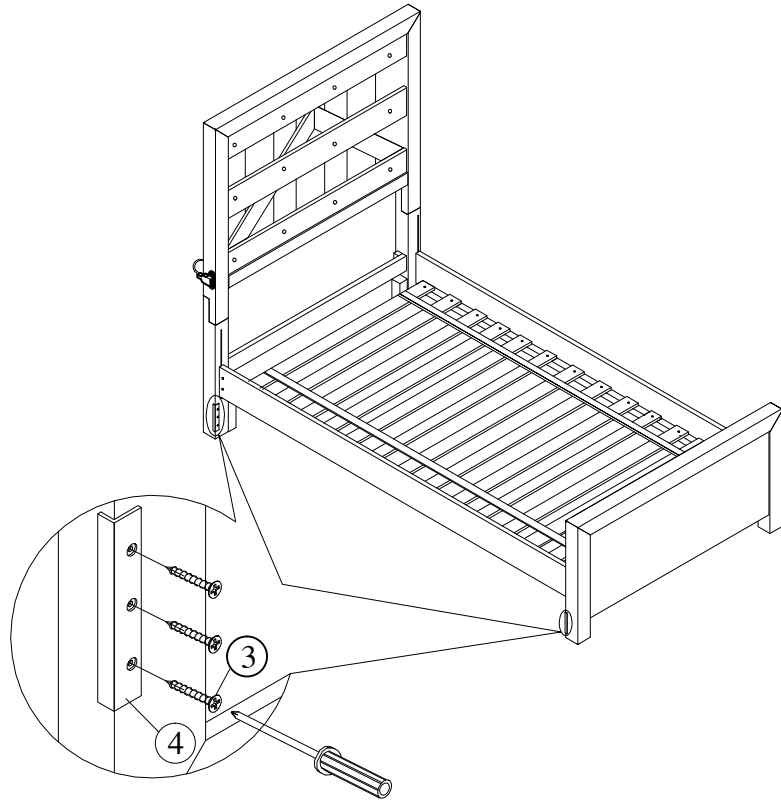
**TWIN PANEL BED & TRUNDLE STORAGE UNIT**



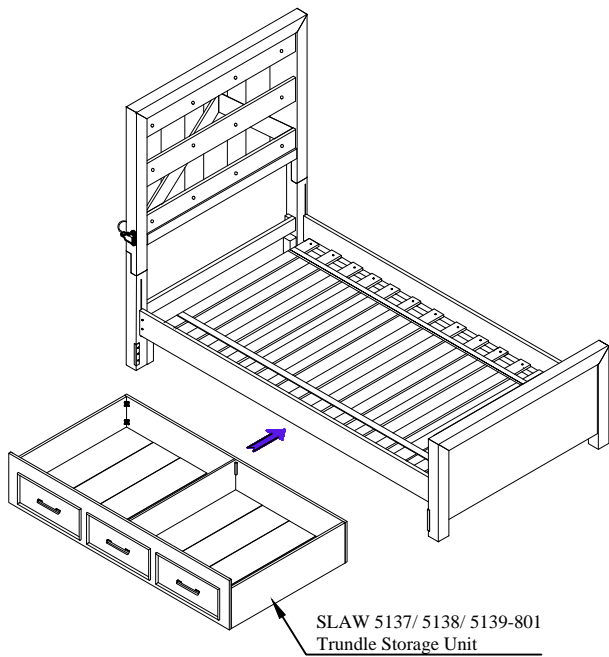
**FULL PANEL BED & TRUNDLE STORAGE UNIT**



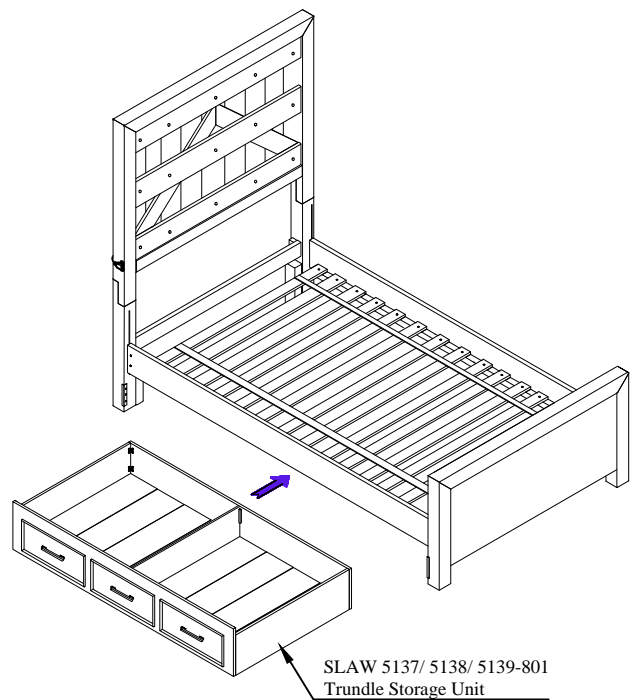
**OPTIONAL TRUNDLE BED ASSEMBLY**



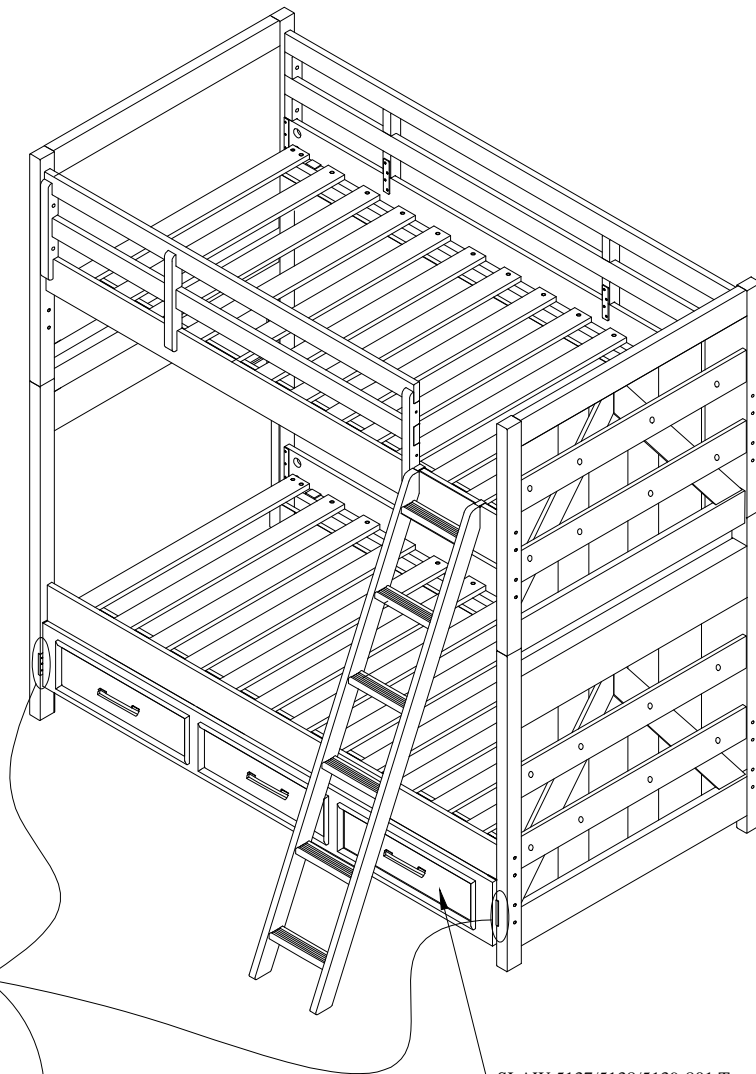
**TWIN BED & TRUNDLE STORAGE UNIT**



**FULL BED & TRUNDLE STORAGE UNIT**



**TWIN BUNK BED & TRUNDLE STORAGE UNIT**



SLAW 5137/5138/5139-801 Trundle Storage Unit

