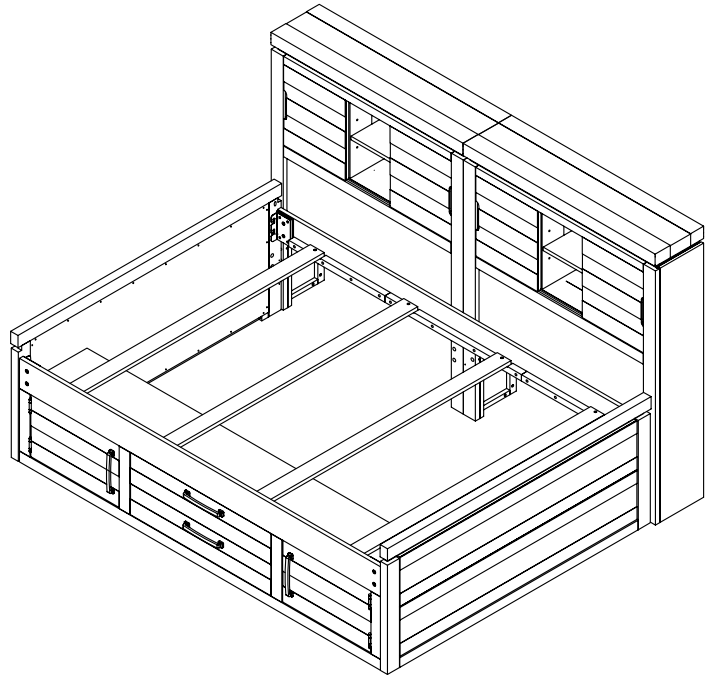
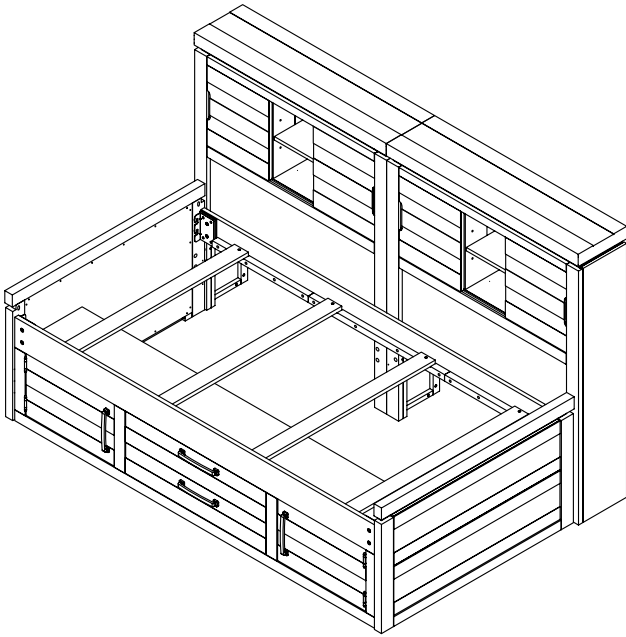


WESTOVER HILLS JR.

TWIN / FULL BOOKCASE WALL BED W/ 1 STORAGE RAIL



3636710P RECLAIMED BROWN			
TWIN BOOKCASE WALL BED W/ 1 STORAGE RAIL			
RTG SKU	STYLE#	ITEM DESCRIPTION	QTY
34667103	6710Y - 12A	Twin Bookcase Headboard	1 Pc
34667103	6710Y - 12A	Twin Bookcase Headboard	1 Pc
34767105	6710Y - 6A	Twin Footboard w/ 4 slats	1 Pc
34767105	6710Y - 6A	Twin Footboard w/ 4 slats	1 Pc
35467100	6710Y - 15	1 Piece T/F Side rail	1 Pc
35267106	6710Y - 11A	Side Storage Rail L or R 1 Pc	1 Pc

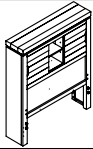
3637710P RECLAIMED GRAY			
TWIN BOOKCASE WALL BED W/ 1 STORAGE RAIL			
RTG SKU	STYLE#	ITEM DESCRIPTION	QTY
34677104	7710Y - 12A	Twin Bookcase Headboard	1 Pc
34677104	7710Y - 12A	Twin Bookcase Headboard	1 Pc
34777106	7710Y - 6A	Twin Footboard w/ 4 slats	1 Pc
34777106	7710Y - 6A	Twin Footboard w/ 4 slats	1 Pc
35477101	7710Y - 15	1 Piece T/F Side rail	1 Pc
35277107	7710Y - 11A	Side Storage Rail L or R 1 Pc	1 Pc

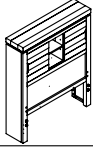
3646710P RECLAIMED BROWN			
FULL BOOKCASE WALL BED W/ 1 STORAGE RAIL			
RTG SKU	STYLE#	ITEM DESCRIPTION	QTY
34667103	6710Y - 12A	Twin Bookcase Headboard	1 Pc
34667103	6710Y - 12A	Twin Bookcase Headboard	1 Pc
35067102	6710Y - 9A	Full Footboard w/ 4 slat	1 Pc
35067102	6710Y - 9A	Full Footboard w/ 4 slat	1 Pc
35467100	6710Y - 15	1 Piece T/F Side rail	1 Pc
35267106	6710Y - 11A	Side Storage Rail L or R 1 Pc	1 Pc

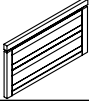

3647710P RECLAIMED GRAY			
FULL BOOKCASE WALL BED W/ 1 STORAGE RAIL			
RTG SKU	STYLE#	ITEM DESCRIPTION	QTY
34677104	7710Y - 12A	Twin Bookcase Headboard	1 Pc
34677104	7710Y - 12A	Twin Bookcase Headboard	1 Pc
35077103	7710Y - 9A	Full Footboard w/ 4 slats	1 Pc
35077103	7710Y - 9A	Full Footboard w/ 4 slats	1 Pc
35477101	7710Y - 15	1 Piece T/F Side rail	1 Pc
35277107	7710Y - 11A	Side Storage Rail L or R 1 Pc	1 Pc


This product is manufactured by ALAM for **ROOMS TO GO | KIDS™**
 DO NOT USE SUBSTITUTE PARTS. PLEASE CONTACT YOUR RETAIL STORE OR WWW.ROOMSTOGO.COM
 WITH SERVICE OR PARTS REPLACEMENT REQUEST

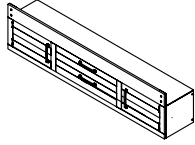
Thank you for purchasing this quality product. Be sure to check all packing material carefully for small parts which may have come loose inside the carton during shipment. Identify and count all parts and compare with the parts list below. Read all instructions before assembling and keep these instructions for future reference.






TWIN BOOKCASE HEADBOARD PARTS LIST			
CODE	ITEM DESCRIPTION	IMAGE	QTY
A	1st Bookcase		1 Pc

TWIN BOOKCASE HEADBOARD PARTS LIST			
CODE	ITEM DESCRIPTION	IMAGE	QTY
B	2nd Bookcase		1 Pc

TWIN / FULL PANEL FOOTBOARD PARTS LIST			
CODE	ITEM DESCRIPTION	IMAGE	QTY
C	Footboards		2 Pcs
D	Slats		4 Pcs

TWIN / FULL SIDE RAIL PARTS LIST			
CODE	ITEM DESCRIPTION	IMAGE	QTY
E	Side rail		1 Pc

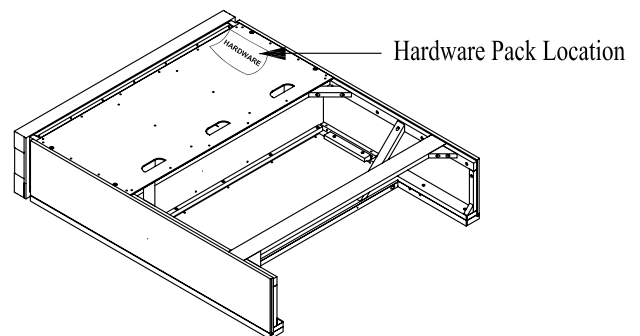
TWIN / FULL SIDE RAIL PARTS LIST			
CODE	ITEM DESCRIPTION	IMAGE	QTY
F	Side storage rail L or R 1 Pc		1 Pc

CODE	HARDWARE LIST	QTY PER HARDWARE PACK	QTY REQ. PER WALL BED
1	Allen Key 5 x 75 mm 	1 Pc	1 Pc
2	Screw Ø8 x 5/8" 	4 Pcs	8 Pcs
3	Connecting Plate 2.5 x 30 x 84 mm 	2 Pcs	4 Pcs
4	Screwdriver (not included) 		
	Furniture tipping restraint 	1 Set	2 Set

Note :
There will be 4 pcs extra slats

HARDWARE PACK LOCATION

RTG SKU	STYLE#	ITEM DESCRIPTION
34667103	6710Y - 12A	Twin Bookcase Headboard
34677104	7710Y - 12A	Twin Bookcase Headboard



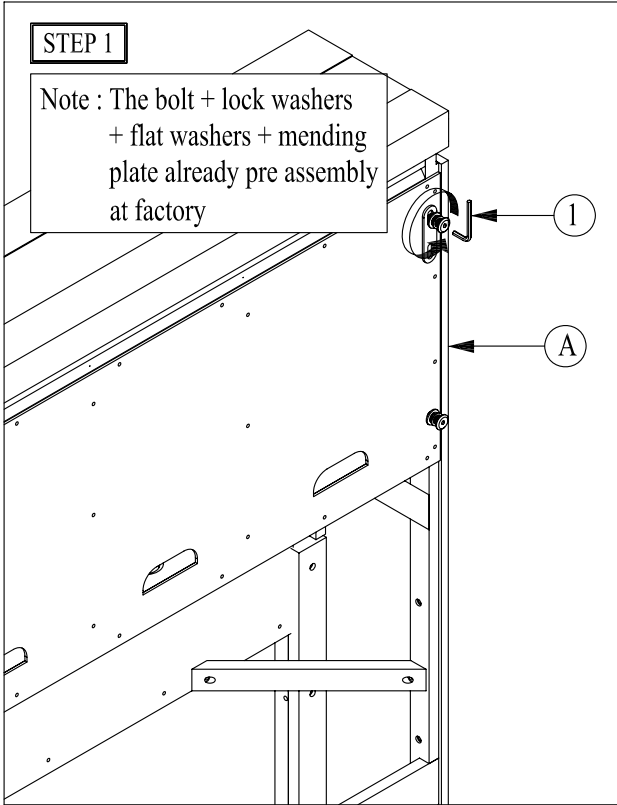
This product is manufactured by ALAM for **ROOMS TO GO | KIDS™**
DO NOT USE SUBTITUTE PARTS. PLEASE CONTACT YOUR RETAIL STORE OR WWW.ROOMSTOGO.COM
WITH SERVICE OR PARTS REPLACEMENT REQUEST

Thank you for purchasing this quality product. Be sure to check all packing material carefully for small parts which may have come loose inside the carton during shipment. Identify and count all parts and compare with the parts list below. Read all instructions before assembling and keep these instructions for future reference.

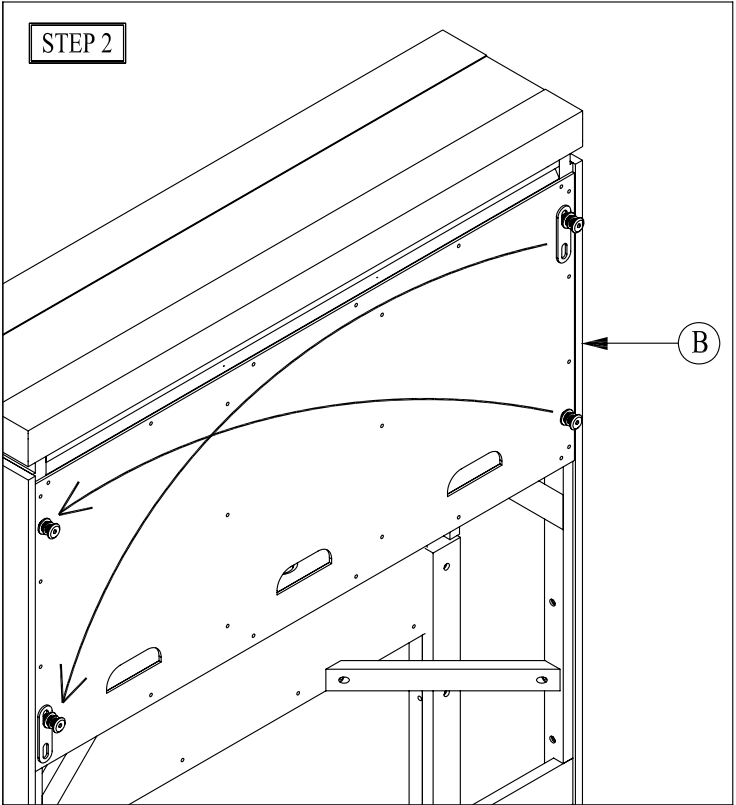
ASSEMBLY INSTRUCTIONS

STEP 1

Note : The bolt + lock washers + flat washers + mending plate already pre assembly at factory



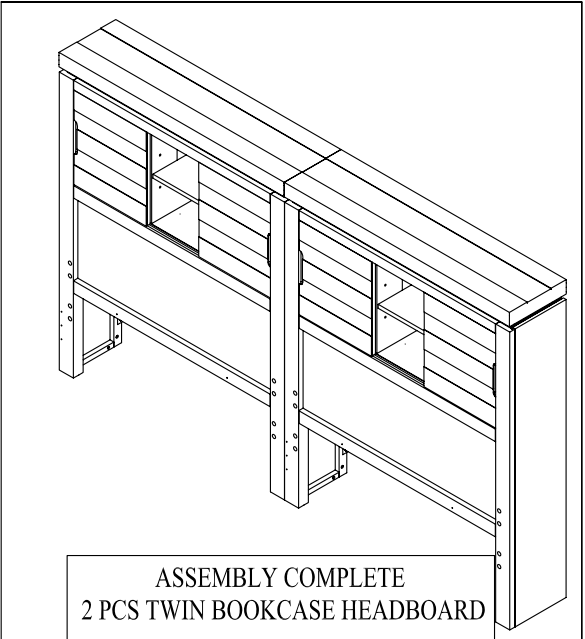
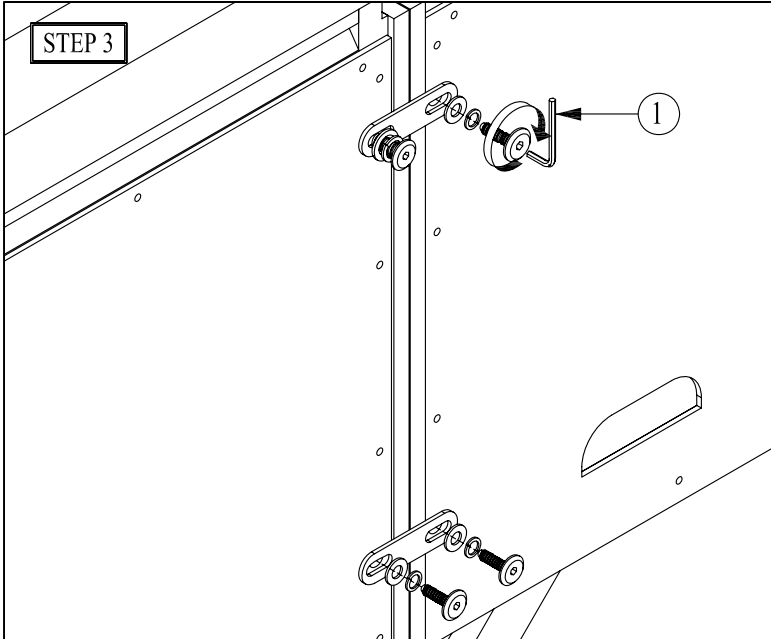
STEP 2



Slightly loose the bolts on the 1st bookcase headboard (A)

Remove mending plate + bolts + lock washers + flat washer on right 2nd bookcase headboard to left position

STEP 3

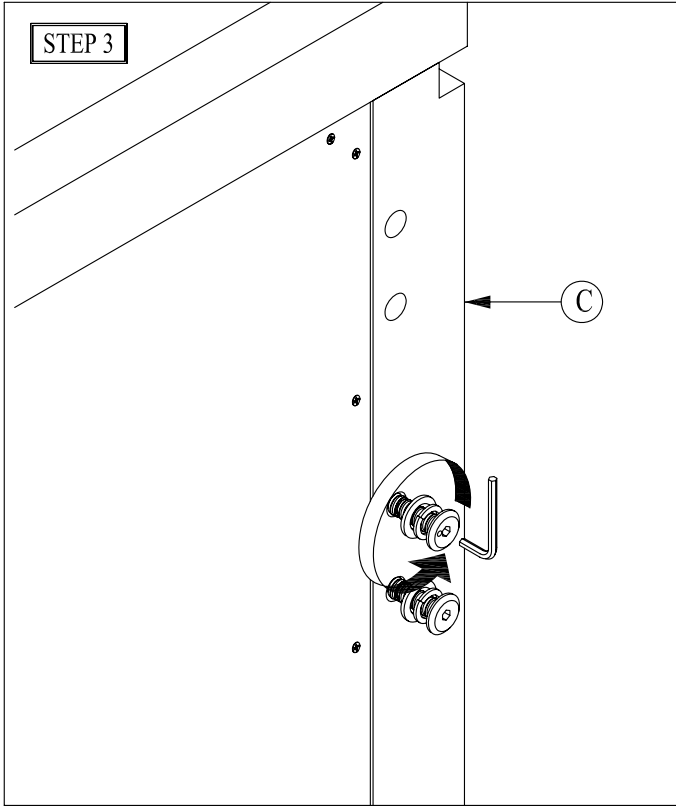


ASSEMBLY COMPLETE
2 PCS TWIN BOOKCASE HEADBOARD

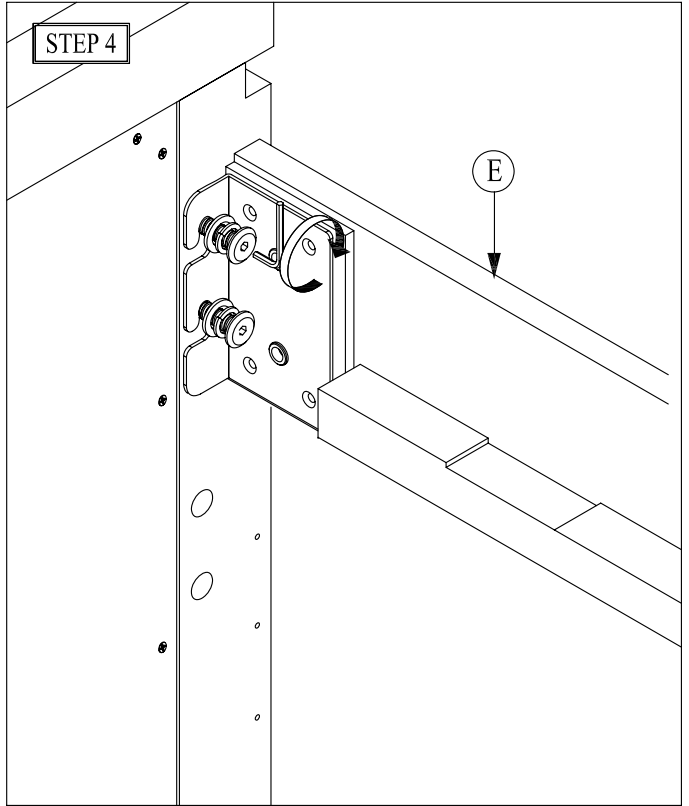
This product is manufactured by ALAM for **ROOMS TO GO | KIDS**
DO NOT USE SUBTITUTE PARTS. PLEASE CONTACT YOUR RETAIL STORE OR WWW.ROOMSTOGO.COM
WITH SERVICE OR PARTS REPLACEMENT REQUEST

Thank you for purchasing this quality product. Be sure to check all packing material carefully for small parts which may have come loose inside the carton during shipment. Identify and count all parts and compare with the parts list below. Read all instructions before assembling and keep these instructions for future reference.

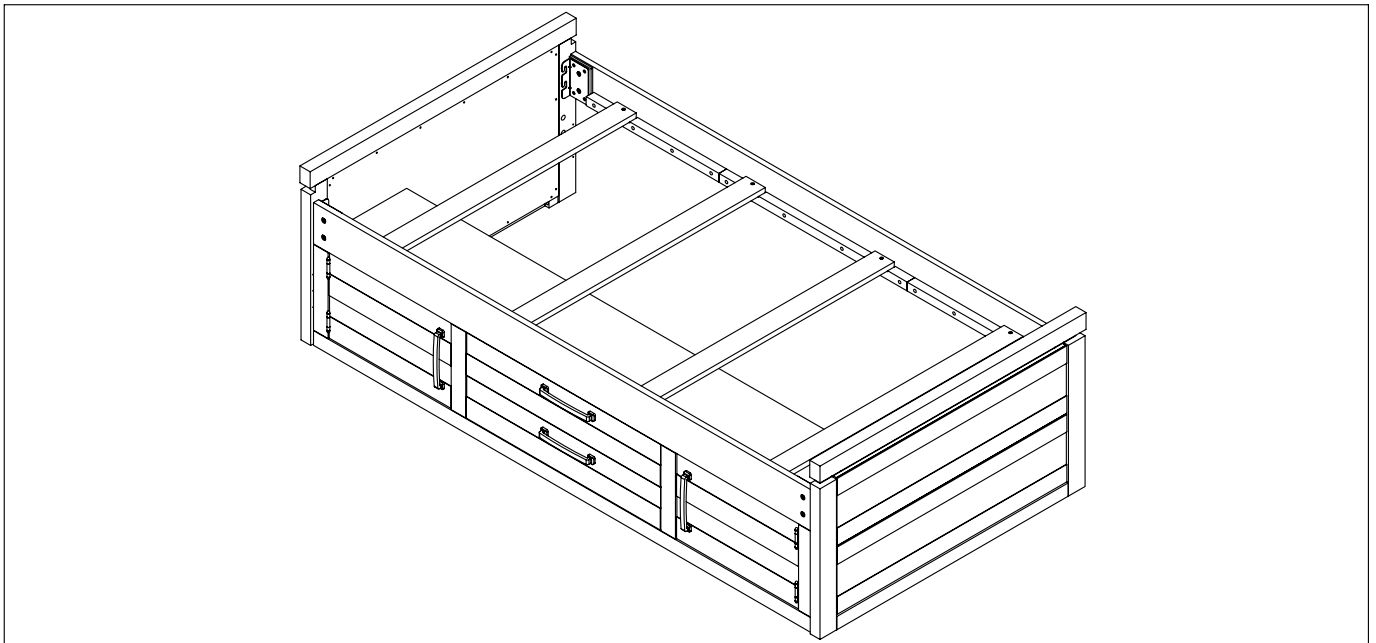
ASSEMBLY INSTRUCTIONS



Slightly loose the bolt on the footboard (C)



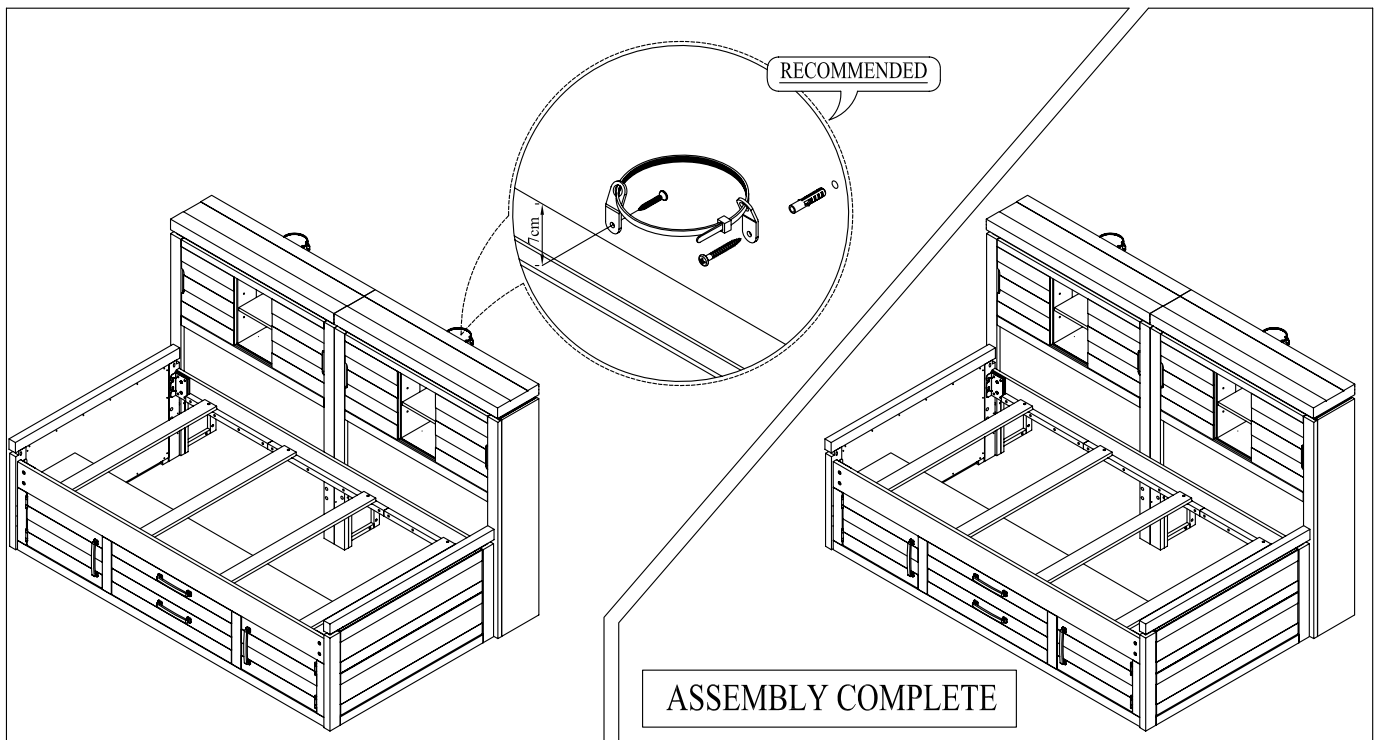
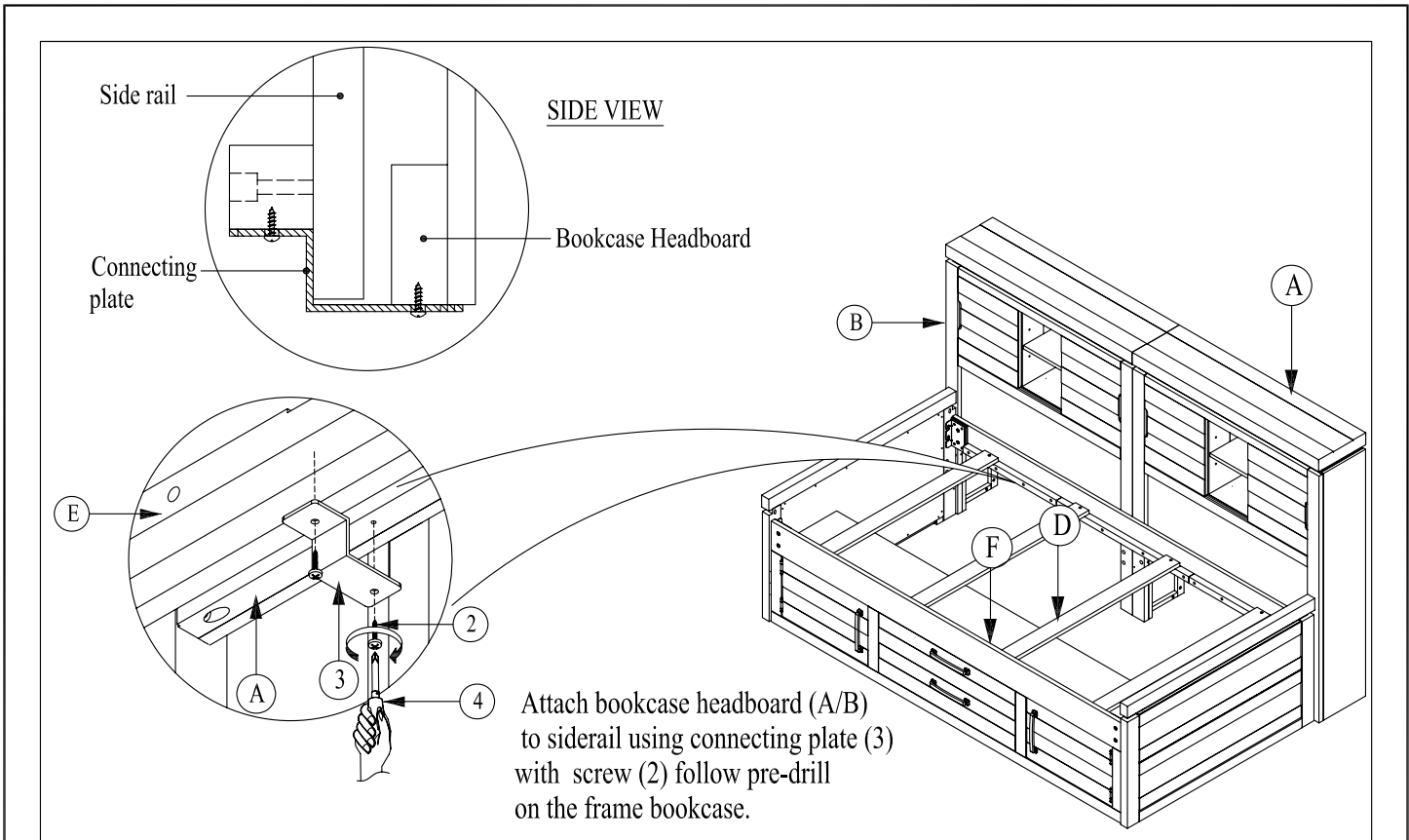
Attach siderail (E) to footboard (C)



This product is manufactured by ALAM for **ROOMS TO GO | KIDS™**
DO NOT USE SUBSTITUTE PARTS. PLEASE CONTACT YOUR RETAIL STORE OR WWW.ROOMSTOGO.COM
WITH SERVICE OR PARTS REPLACEMENT REQUEST

Thank you for purchasing this quality product. Be sure to check all packing material carefully for small parts which may have come loose inside the carton during shipment. Identify and count all parts and compare with the parts list below. Read all instructions before assembling and keep these instructions for future reference.

ASSEMBLY INSTRUCTIONS



This product is manufactured by ALAM for **ROOMS TO GO | KIDS™**
DO NOT USE SUBTITUTE PARTS. PLEASE CONTACT YOUR RETAIL STORE OR WWW.ROOMSTOGO.COM
WITH SERVICE OR PARTS REPLACEMENT REQUEST