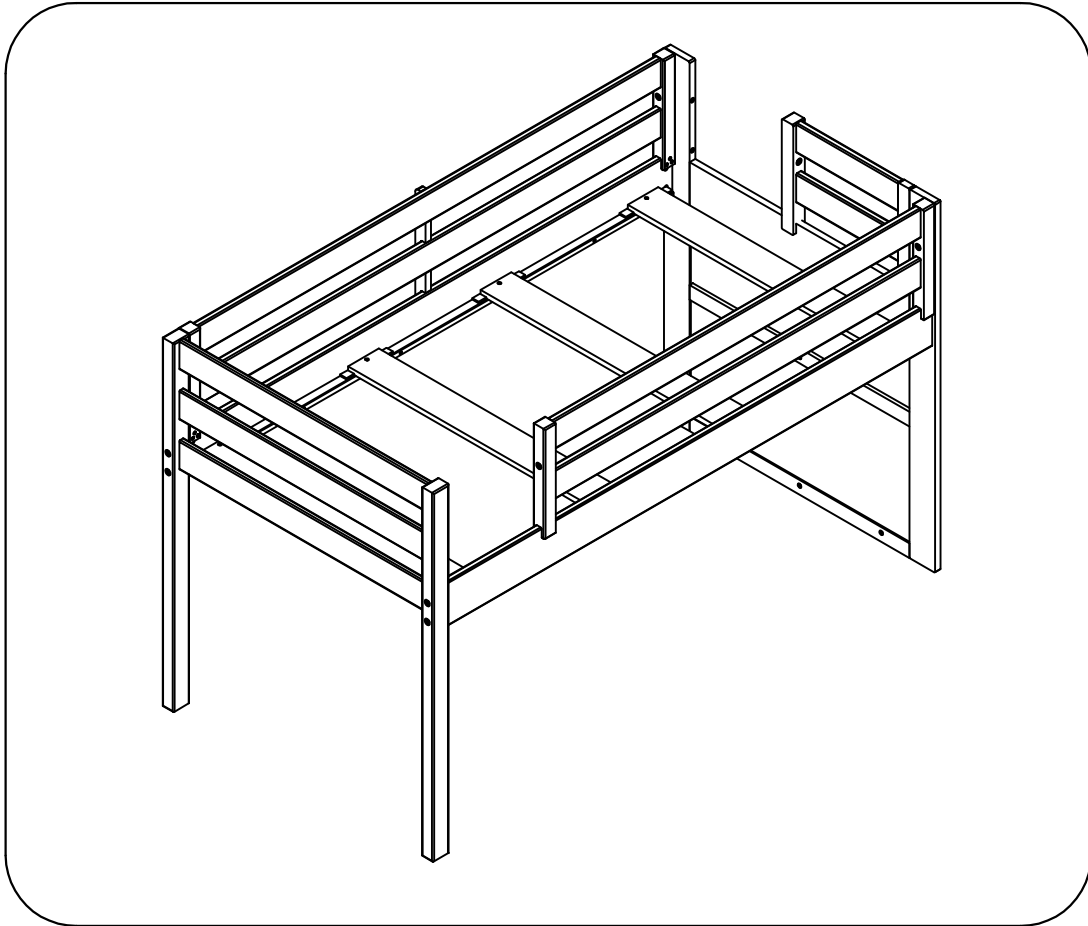


**This product is manufactured by MAXWOOD for
ROOMS TO GO | KIDS™**

LOW LOFT



Use only correct dimension mattress and bunkie board:

Twin Size - 74" - 75" (188 cm - 190 cm) long and 37-1/2" - 38-1/2" (95 cm - 98 cm) wide

Twin size bunkie board- 74" (188 cm) long and 37-1/2" (95 cm) wide

Parts List		
RTG SKU #	STYLE #	ITEM DESCRIPTION
36170900	70900-002	LOFT END, SIDE PANEL & SLATS
36270902	70901-002	GUARDRAILS & SIDE RAILS

This product is manufactured by MAXWOOD for
ROOMS TO GO | KIDS™

MATTRESS AND BUNKIE BOARD CHART

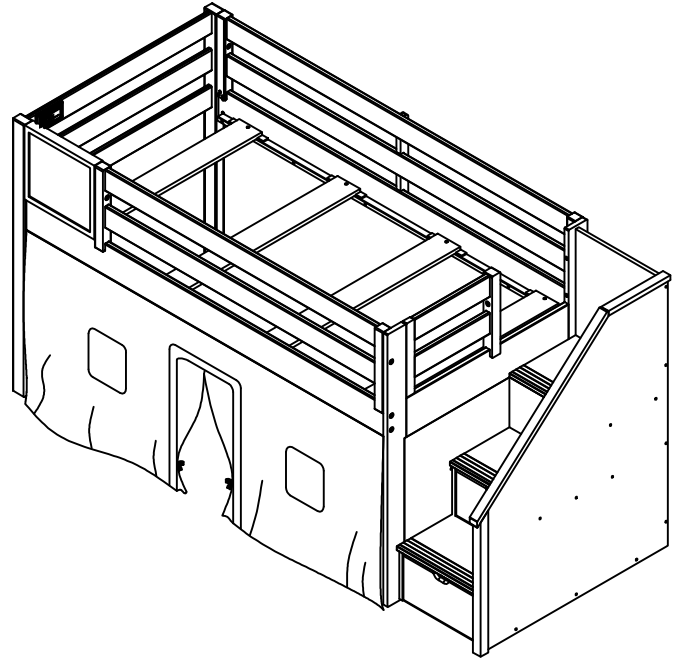
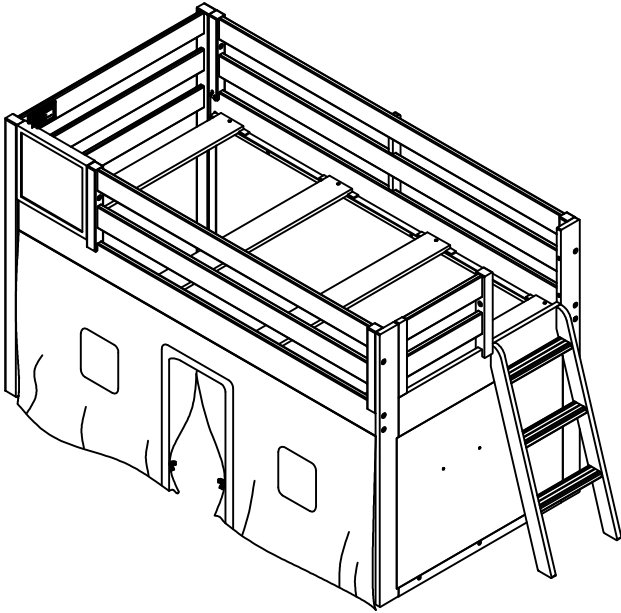
PACKAGE	DESCRIPTION	TOP BED
3607090P	Low Loft with Ladder, Activity Panel and Princess Curtain	Twin Mattress Twin bunkie board required
3617090P	Low Loft with Stairs, Activity Panel and Princess Curtain	Twin Mattress Twin bunkie board required
3627090P	Low Loft with Ladder, Activity Panel and Princess Tower, Top Tent & Curtain	Twin Mattress Twin bunkie board required
3637090P	Low Loft with Ladder, Slide and Princess Tower, Top Tent & Curtain	Twin Mattress Twin bunkie board required
3647090P	Low Loft with Stairs, Activity Panel and Princess Tower, Top Tent & Curtain	Twin Mattress Twin bunkie board required
3657090P	Low Loft with Stairs, Slide and Princess Tower, Top Tent & Curtain	Twin Mattress Twin bunkie board required

PACKAGE	DESCRIPTION	TOP BED
3667090P	Low Loft with Ladder, Activity Panel and Frozen Curtain	Twin Mattress Twin bunkie board required
3677090P	Low Loft with Stairs, Activity Panel and Frozen Curtain	Twin Mattress Twin bunkie board required
3687090P	Low Loft with Ladder, Activity Panel and Frozen Tower, Top Tent & Curtain	Twin Mattress Twin bunkie board required
3697090P	Low Loft with Ladder, Slide and Frozen Tower, Top Tent & Curtain	Twin Mattress Twin bunkie board required
3707090P	Low Loft with Stairs, Activity Panel and Frozen Tower, Top Tent & Curtain	Twin Mattress Twin bunkie board required
3717090P	Low Loft with Stairs, Slide and Frozen Tower, Top Tent & Curtain	Twin Mattress Twin bunkie board required

Use only correct dimension mattress and bunkie board:

Twin Size - 74" - 75" (188 cm - 190 cm) long and 37-1/2" - 38-1/2" (95 cm - 98 cm) wide
Twin size bunkie board- 74" (188 cm) long and 37-1/2" (95 cm) wide

This product is manufactured by MAXWOOD for
ROOMS TO GO | KIDS™
MATTRESS AND BUNKIE BOARD CHART



3607090P-Low Loft with Ladder, Activity Panel, and Princess Curtain-Pink		
RTG SKU #	STYLE #	ITEM DESCRIPTION
36170900	70900-002	LOFT END, SIDE PANEL, 4 SLATS
36270902	70901-002	GUARD RAILS & SIDE RAILS
36370904	70908-002	LADDER
36470906	70907-002	ACTIVITY PANEL
36970906	70906-002	UNDERBED CURTAIN

3617090P-Low Loft with Stairs, Activity Panel, Princess Curtain-Pink		
RTG SKU #	STYLE #	ITEM DESCRIPTION
36170900	70900-002	LOFT END, SIDE PANEL, 4 SLATS
36270902	70901-002	GUARD RAILS & SIDE RAILS
36570908	70902-002	STAIRCASE
36470906	70907-002	ACTIVITY PANEL
36970906	70906-002	UNDERBED CURTAIN

3667090P-Low Loft with Ladder, Activity Panel, and Frozen Curtain-Light Blue		
RTG SKU #	STYLE #	ITEM DESCRIPTION
36170900	70900-002	LOFT END, SIDE PANEL, 4 SLATS
36270902	70901-002	GUARD RAILS & SIDE RAILS
36370904	70908-002	LADDER
36470906	70907-002	ACTIVITY PANEL
36970918	70916-002	UNDERBED CURTAIN

3677090P-Low Loft with Stairs, Activity Panel, Frozen Curtain-Light Blue		
RTG SKU #	STYLE #	ITEM DESCRIPTION
36170900	70900-002	LOFT END, SIDE PANEL, 4 SLATS
36270902	70901-002	GUARD RAILS & SIDE RAILS
36570908	70902-002	STAIRCASE
36470906	70907-002	ACTIVITY PANEL
36970918	70916-002	UNDERBED CURTAIN

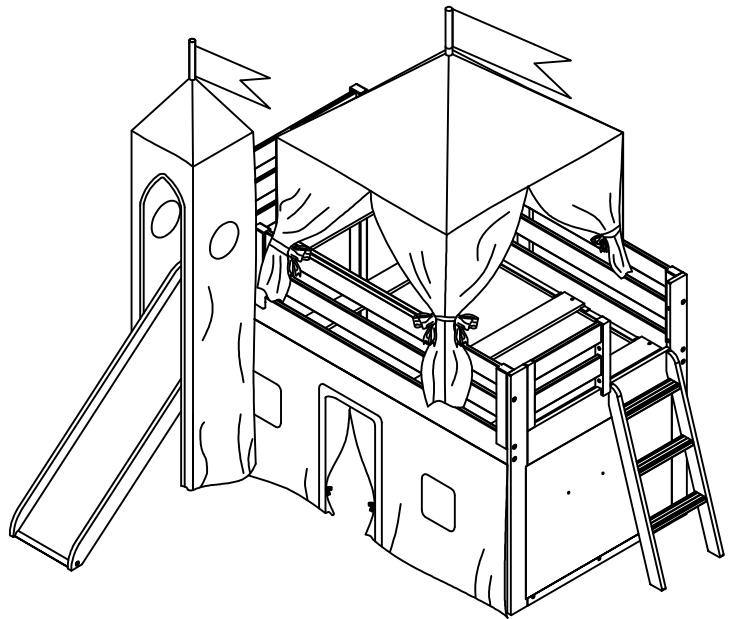
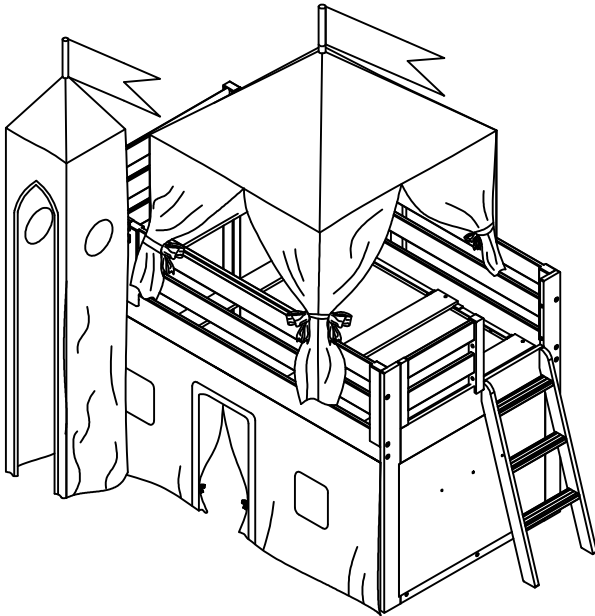
Use only correct dimension mattress and bunkie board:

Twin Size - 74" - 75" (188 cm - 190 cm) long and 37-1/2" - 38-1/2" (95 cm - 98 cm) wide

Twin size bunkie board- 74" (188 cm) long and 37-1/2" (95 cm) wide

This product is manufactured by MAXWOOD for
ROOMS TO GO | KIDS™

MATTRESS AND BUNKIE BOARD CHART



3627090P-Low Loft with Ladder, Activity Panel, Princess Tower, Top Tent & Curtain-Pink

RTG SKU #	STYLE #	ITEM DESCRIPTION
36170900	70900-002	LOFT END, SIDE PANEL, 4 SLATS
36270902	70901-002	GUARD RAILS & SIDE RAILS
36370904	70908-002	LADDER
36470906	70907-002	ACTIVITY PANEL
36970906	70906-002	UNDERBED CURTAIN
36870904	70904-002	TOP TENT & PYRAMID TOP TENT
36770902	70905-002	TOWER FRAME & FABRIC

3637090P-Low Loft with Ladder Slide, Princess Tower, Top Tent, & Curtain-Pink

RTG SKU #	STYLE #	ITEM DESCRIPTION
36170900	70900-002	LOFT END, SIDE PANEL, 4 SLATS
36270902	70901-002	GUARD RAILS & SIDE RAILS
36370904	70908-002	LADDER
36970906	70906-002	UNDERBED CURTAIN
36870904	70904-002	TOP TENT & PYRAMID TOP TENT
36770902	70905-002	TOWER FRAME & FABRIC
36670900	70903-002	SLIDE

3687090P-Low Loft with Ladder, Activity Panel and Frozen Tower, Top Tent & Curtain-Light Blue

RTG SKU #	STYLE #	ITEM DESCRIPTION
36170900	70900-002	LOFT END, SIDE PANEL, 4 SLATS
36270902	70901-002	GUARD RAILS & SIDE RAILS
36370904	70908-002	LADDER
36470906	70907-002	ACTIVITY PANEL
36970918	70916-002	UNDERBED CURTAIN
36870916	70914-002	TOP TENT & PYRAMID TOP TENT
36770914	70915-002	TOWER FRAME & FABRIC

3697090P-Low Loft with Ladder, Slide, Frozen Tower, Top Tent & Curtain-Light Blue

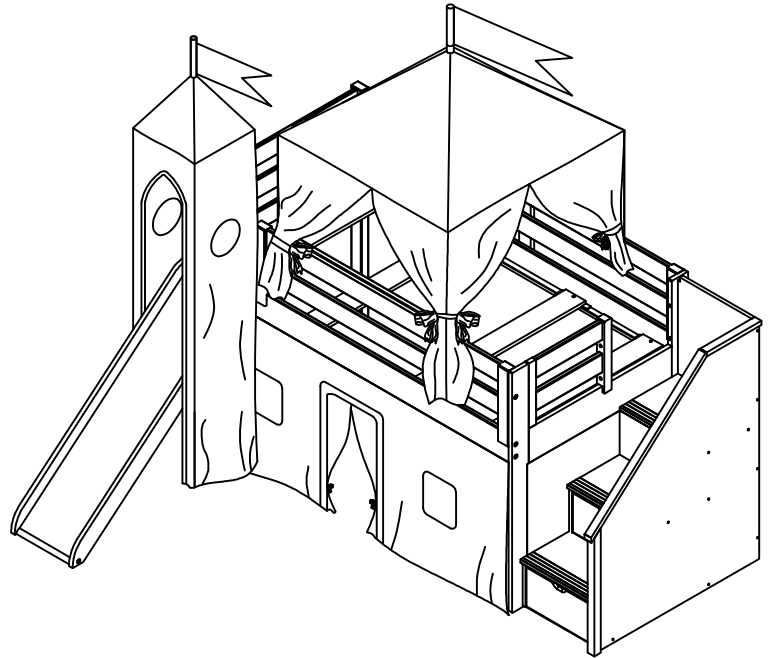
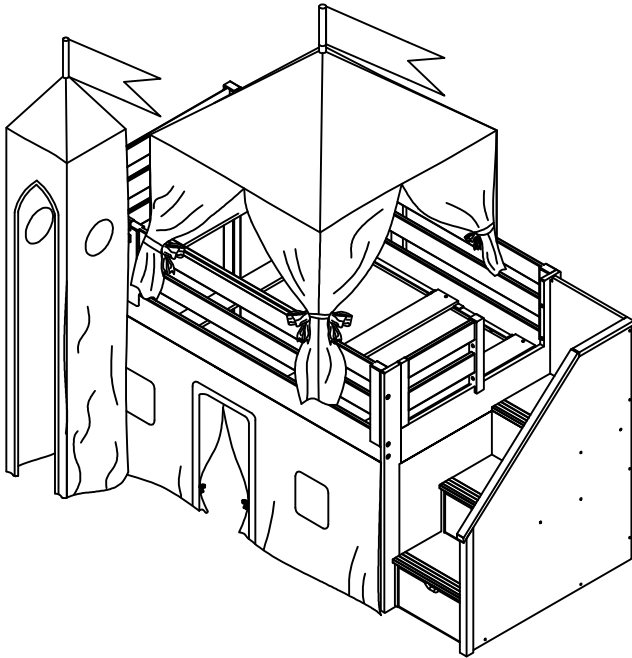
RTG SKU #	STYLE #	ITEM DESCRIPTION
36170900	70900-002	LOFT END, SIDE PANEL, 4 SLATS
36270902	70901-002	GUARD RAILS & SIDE RAILS
36370904	70908-002	LADDER
36970918	70916-002	UNDERBED CURTAIN
36870916	70914-002	TOP TENT & PYRAMID TOP TENT
36770914	70915-002	TOWER FRAME & FABRIC
36670900	70903-002	SLIDE

Use only correct dimension mattress and bunkie board:

Twin Size - 74" - 75" (188 cm - 190 cm) long and 37-1/2" - 38-1/2" (95 cm - 98 cm) wide

Twin size bunkie board- 74" (188 cm) long and 37-1/2" (95 cm) wide

This product is manufactured by MAXWOOD for
ROOMS TO GO | KIDS™
MATTRESS AND BUNKIE BOARD CHART



3647090P-Low Loft with Staircase, Activity Panel, Princess Tower, Top Tent & Curtain-Pink		
RTG SKU #	STYLE #	ITEM DESCRIPTION
36170900	70900-002	LOFT END, SIDE PANEL, 4 SLATS
36270902	70901-002	GUARD RAILS & SIDE RAILS
36570908	70902-002	STAIRCASE
36470906	70907-002	ACTIVITY PANEL
36970906	70906-002	UNDERBED CURTAIN
36870904	70904-002	TOP TENT & PYRAMID TOP TENT
36770902	70905-002	TOWER FRAME & FABRIC

3657090P-Low Loft with Staircase, Slide, Princess Tower, Top Tent & Curtain-Pink		
RTG SKU #	STYLE #	ITEM DESCRIPTION
36170900	70900-002	LOFT END, SIDE PANEL, 4 SLATS
36270902	70901-002	GUARD RAILS & SIDE RAILS
36570908	70902-002	STAIRCASE
36970906	70906-002	UNDERBED CURTAIN
36870904	70904-002	TOP TENT & PYRAMID TOP TENT
36770902	70905-002	TOWER FRAME & FABRIC
36670900	70903-002	SLIDE

3707090P-Low Loft with Staircase, Activity Panel, Frozen Tower, Top Tent & Curtain-Light Blue		
RTG SKU #	STYLE #	ITEM DESCRIPTION
36170900	70900-002	LOFT END, SIDE PANEL, 4 SLATS
36270902	70901-002	GUARD RAILS & SIDE RAILS
36570908	70902-002	STAIRCASE
36470906	70907-002	ACTIVITY PANEL
36970918	70916-002	UNDERBED CURTAIN
36870916	70914-002	TOP TENT & PYRAMID TOP TENT
36770914	70915-002	TOWER FRAME & FABRIC

3717090P-Low Loft with Staircase, Slide, Frozen Tower, Top Tent & Curtain-Light Blue		
RTG SKU #	STYLE #	Blue ITEM DESCRIPTION
36170900	70900-002	LOFT END, SIDE PANEL, 4 SLATS
36270902	70901-002	GUARD RAILS & SIDE RAILS
36570908	70902-002	STAIRCASE
36970918	70916-002	UNDERBED CURTAIN
36870916	70914-002	TOP TENT & PYRAMID TOP TENT
36770914	70915-002	TOWER FRAME & FABRIC
36670900	70903-002	SLIDE

Use only correct dimension mattress and bunkie board:

Twin Size - 74" - 75" (188 cm - 190 cm) long and 37-1/2" - 38-1/2" (95 cm - 98 cm) wide

Twin size bunkie board- 74" (188 cm) long and 37-1/2" (95 cm) wide

This product is manufactured by MAXWOOD for ROOMS TO GO | KIDS™



WARNING DANGER:

Failure to follow these warnings and assembly instructions could result in serious injury or death. To help prevent serious or fatal injuries from entrapment or falls:

- Read all instructions before assembling bunk bed and keep these instructions for future reference.
- Before each usage or assembly, inspect bunk bed for damaged hardware, loose joints, missing parts, or sharp edges. DO NOT use bunk bed if any parts are missing or broken.
- DO NOT use substitute parts. Contact Rooms To Go (www.ROOMSTOGO.com) for re-placement parts and instructional literature if needed.
- Follow the information on the warnings appearing on the upper bunk end structure and on the carton. DO NOT REMOVE WARNING LABEL FROM BED.
- Always use the recommended size mattresses or mattress supports, or both, to help prevent the likelihood of entrapment or falls.
- Ensure thickness of mattress and foundation combined does not exceed 12 inches (30 cm) and mattress surface is at least 5 inches (13 cm) below upper edge of guardrails.
- Do not allow children under 6 years of age to use the upper bunk.
- Periodically check and ensure that the guardrail, ladder, and other components are in their proper position, free from damage, and that all connectors are tight.
- Do not allow horseplay on or under the bed and prohibit jumping on the bed.
- Limit top bunk use to one person.
- Always use the ladder for entering and leaving the upper bunk.
- Use of a night light may provide added safety precaution for a child using the upper bunk.
- Always use guardrails on both long sides of the upper bunk. If the bunk bed will be placed next to the wall, the guardrail that runs the full length of the bed should be placed against the wall to prevent entrapment between the bed and wall.
- The use of water or sleep flotation mattresses is prohibited.
- This bunk bed meets or exceeds the requirements of ASTM 1427-21.



STRANGULATION HAZARD:

Never attach or hang items to any part of the bunk bed that are not designed for use with the bed; for example, but not limited to, hooks, belts and jump ropes.

This product is manufactured by MAXWOOD for
ROOMS TO GO | KIDS™

PRE - ASSEMBLY

Warning:

The bed slats included with this bed will not support a mattress alone, this bed requires bunkie boards (sold separately).

Read all the instructions, identify all components, choose your configuration, and be sure you have all parts prior to assembly.

Two people are needed to assemble.

Tools Needed

Phillips heads screwdriver (not included)

5mm allen wrench (included)

4mm allen wrench (included)

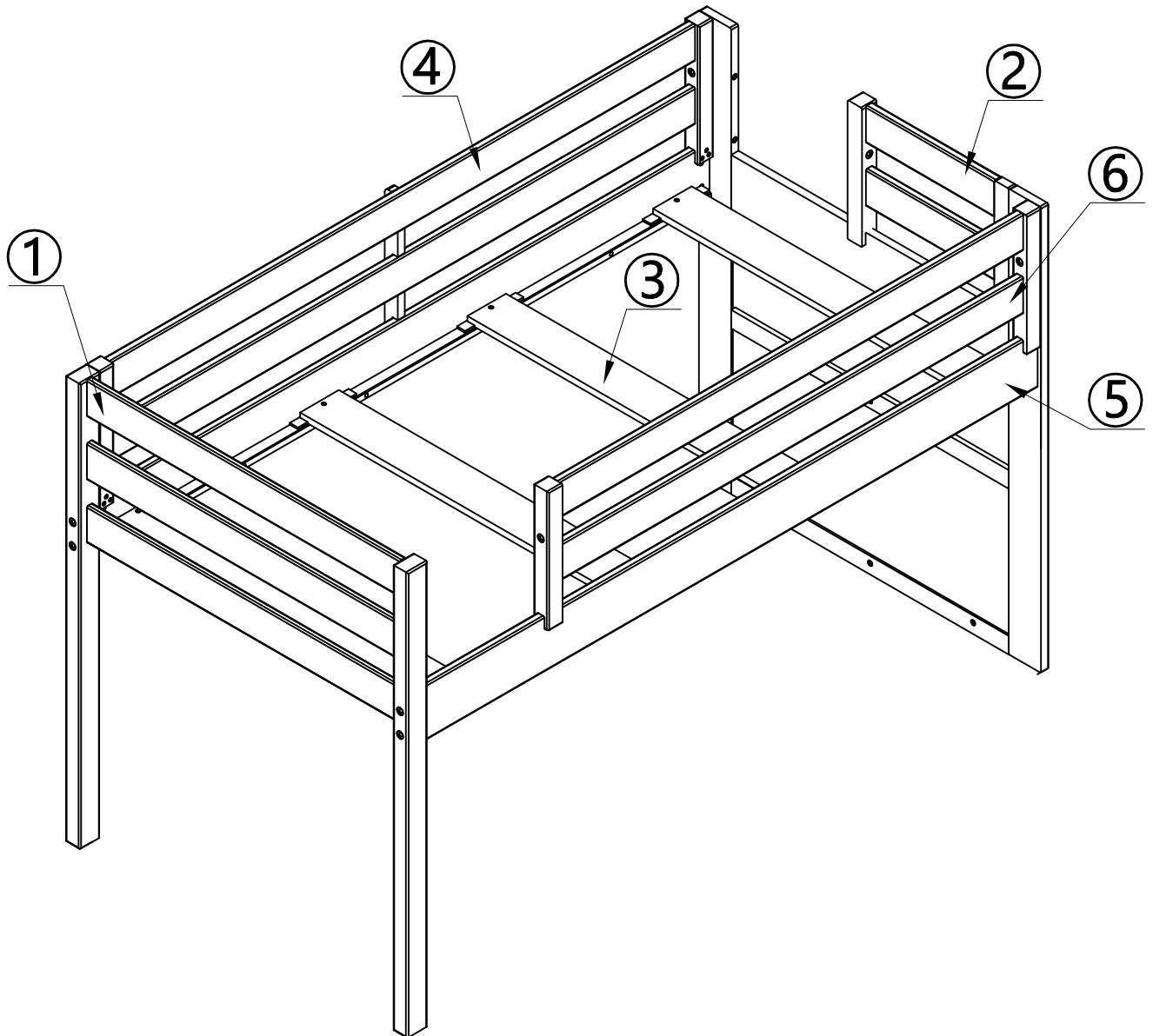
MAKE SURE ALL BOLTS ARE TIGHTENED COMPLETELY

CARE INSTRUCTIONS:

Dust with a clean, soft cloth. Avoid the use of all abrasive cleaners.

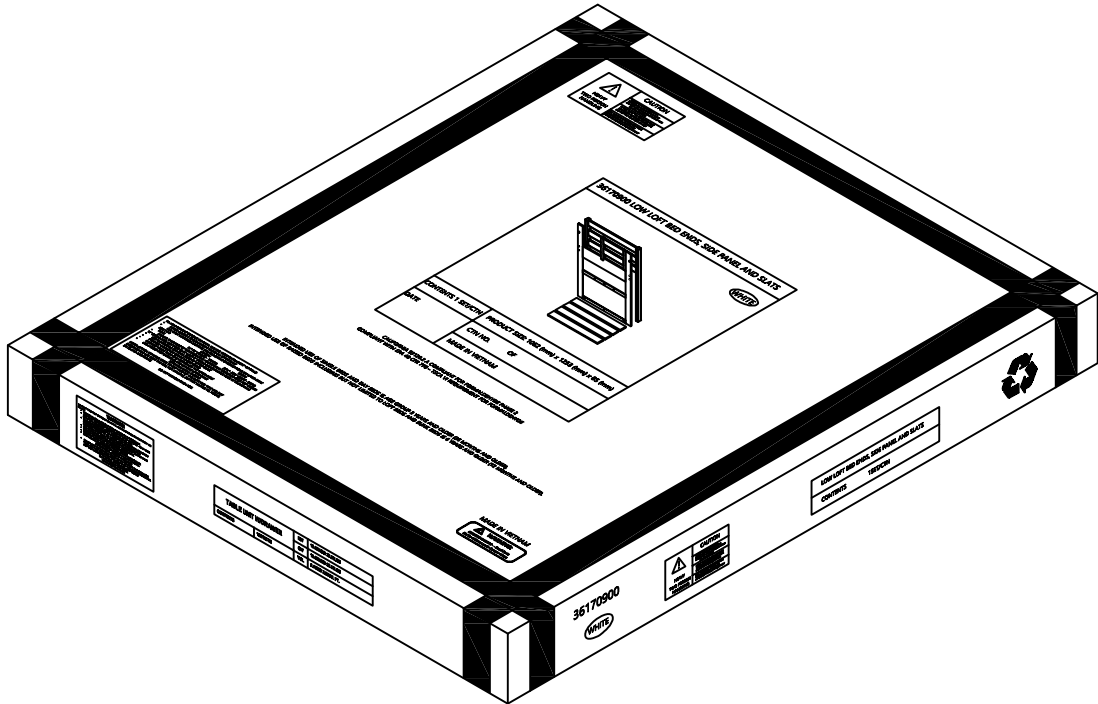
PLEASE CONTACT YOUR RETAIL STORE WITH SERVICE OR PARTS REPLACEMENT REQUEST

PARTS LIST

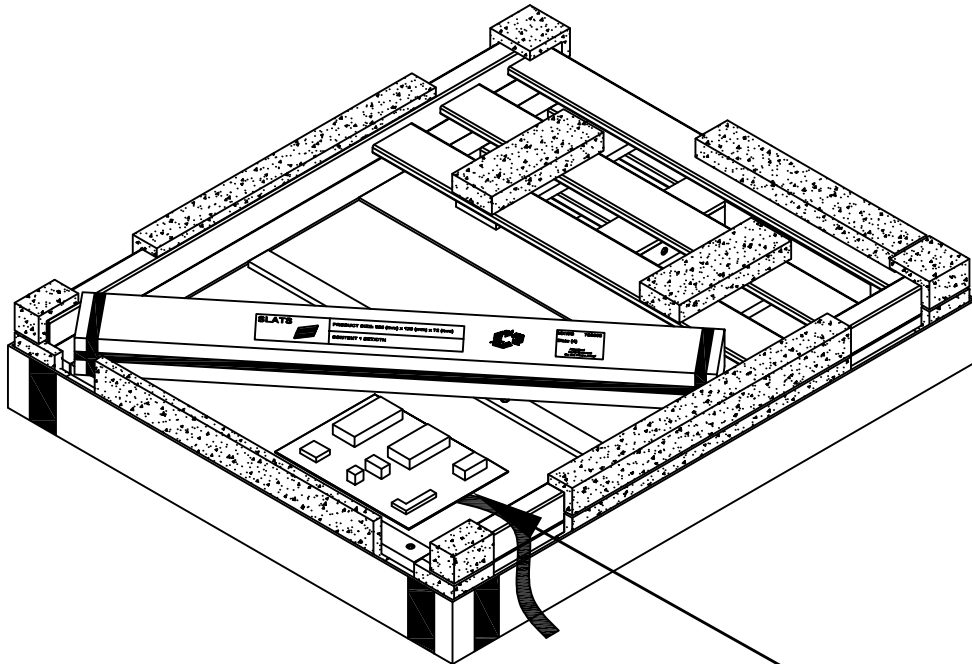


PLEASE CONTACT YOUR RETAIL STORE WITH SERVICE OR PARTS REPLACEMENT REQUEST

RTG SKU #36170900 – Style #70900-002

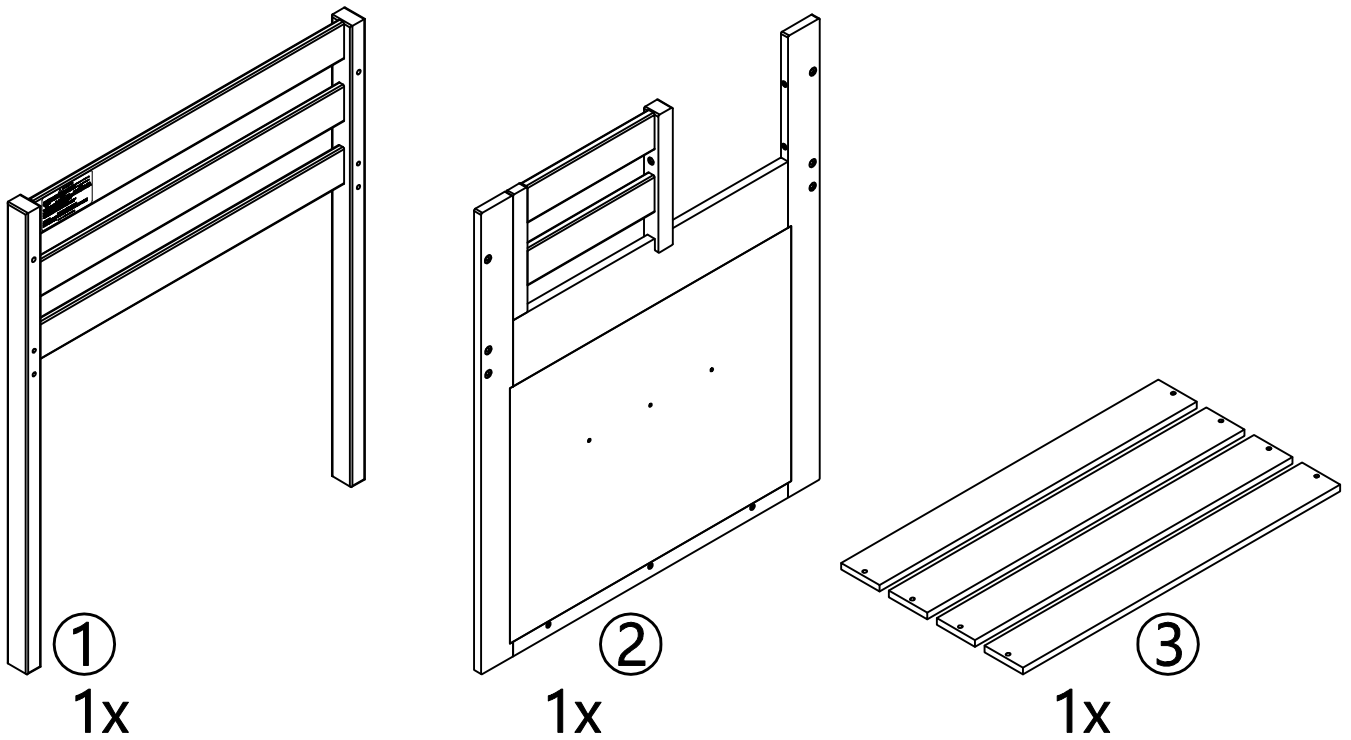


Open
Ouvert
Abierto

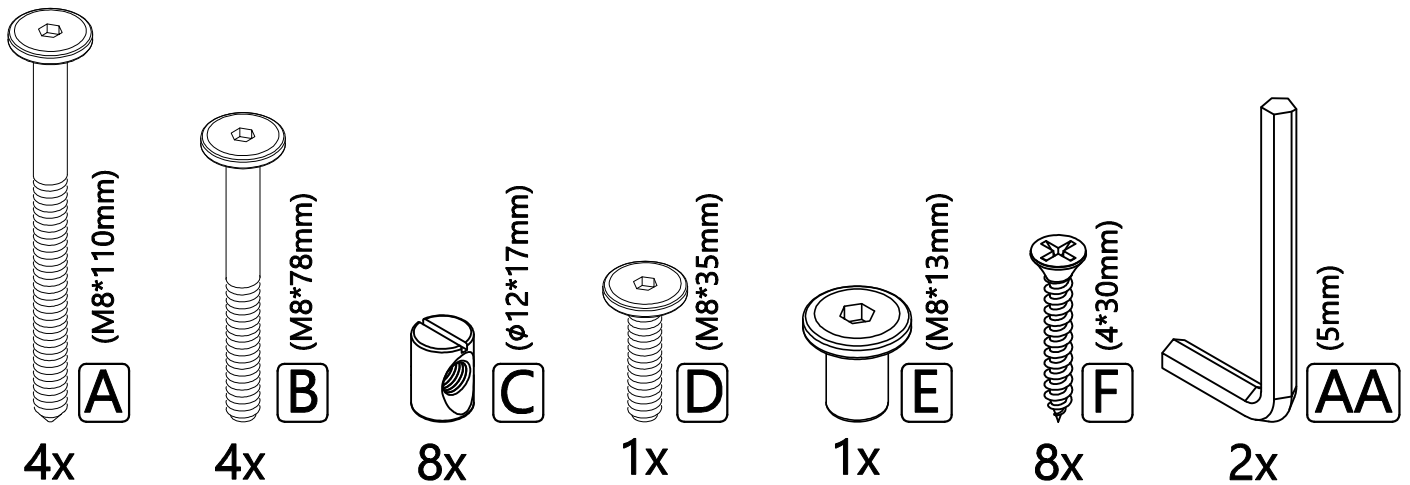


HARDWARE KIT LOCATION

RTG SKU #36170900 – Style #70900-002



RTG SKU #36170900 – Style #70900-002



⚠ WARNING:

CHOKING HAZARD
Small Parts
Not for children under 3 years.
To be Assembled by an Adult

⚠ ATTENTION:

RISQUE D'ÉTOUFFEMENT
Petites parties
Ne convient pas aux enfants de moins de 3 ans.
Doit être assemblé par un adulte

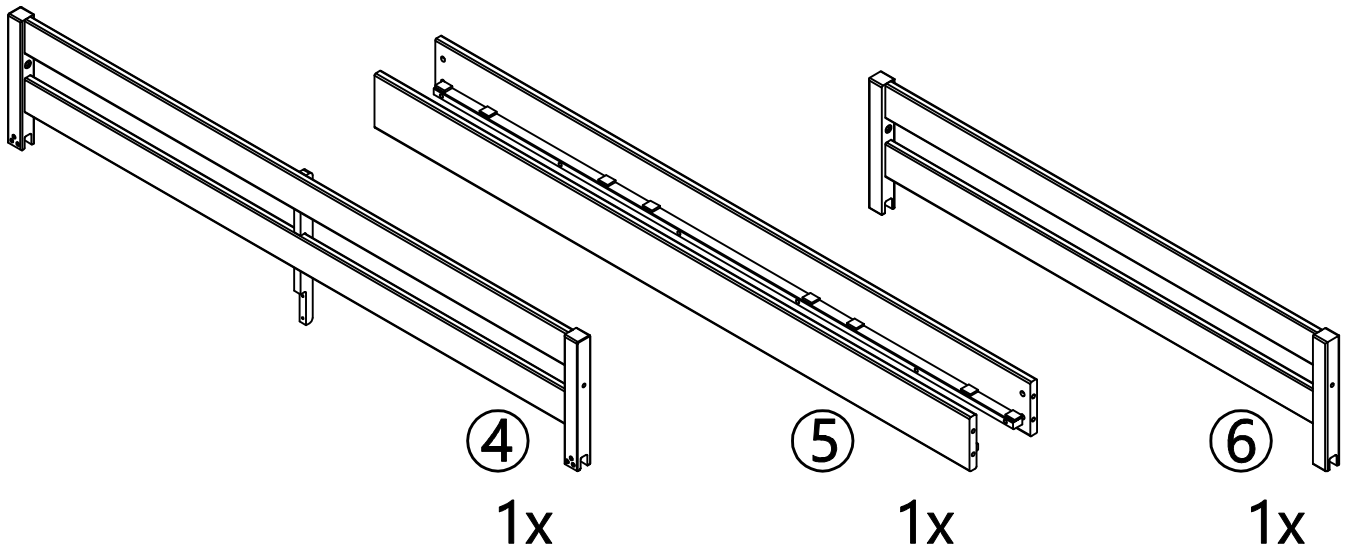
⚠ ADVERTENCIA

PELIGRO DE ASFIXIA
Partes pequeñas
No apta para niños menores de 3 años
A ser ensamblado por un adulto

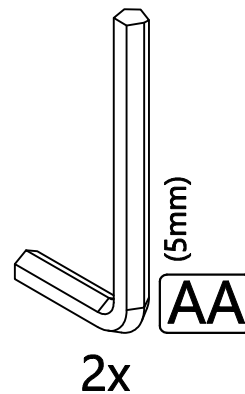
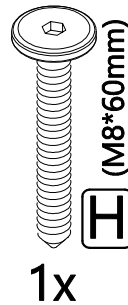
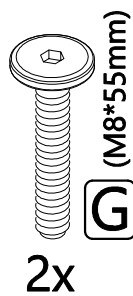
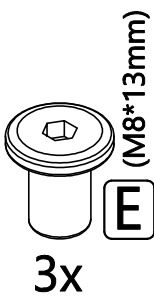
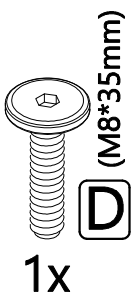
Not Included
Non Inclus
No Incluido



RTG SKU #36270902 – Style #70901-002

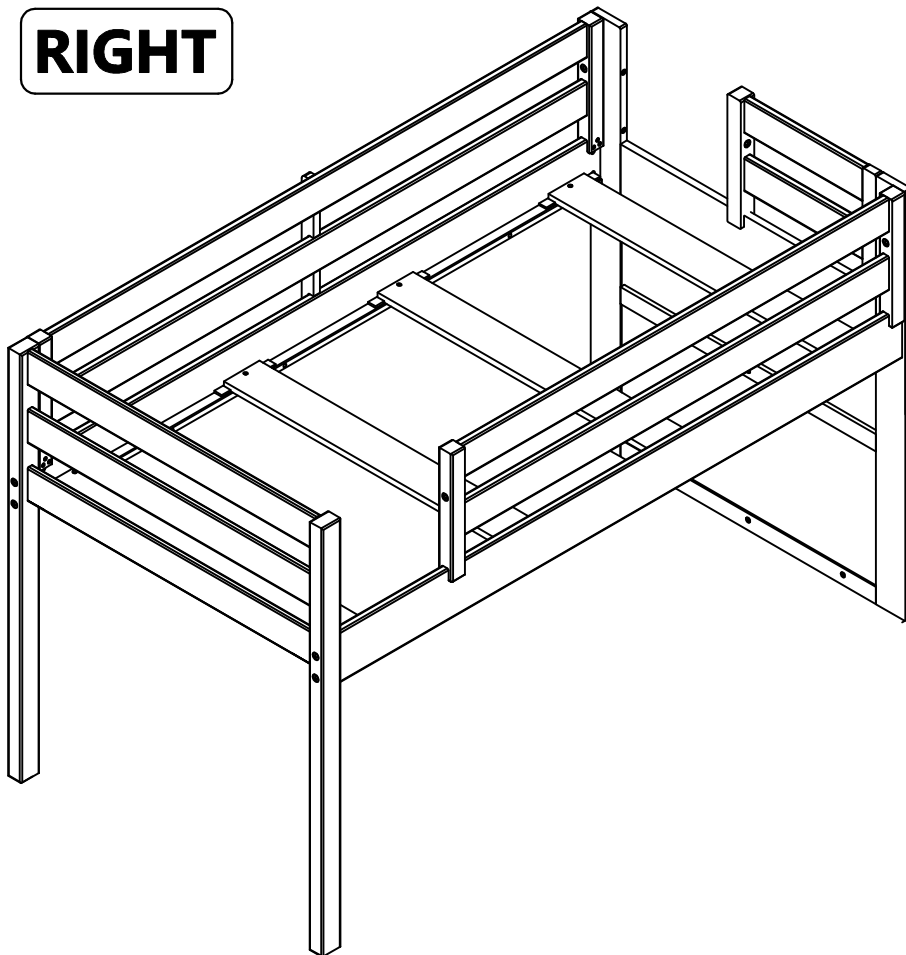


RTG SKU #36270902 – Style #70901-002

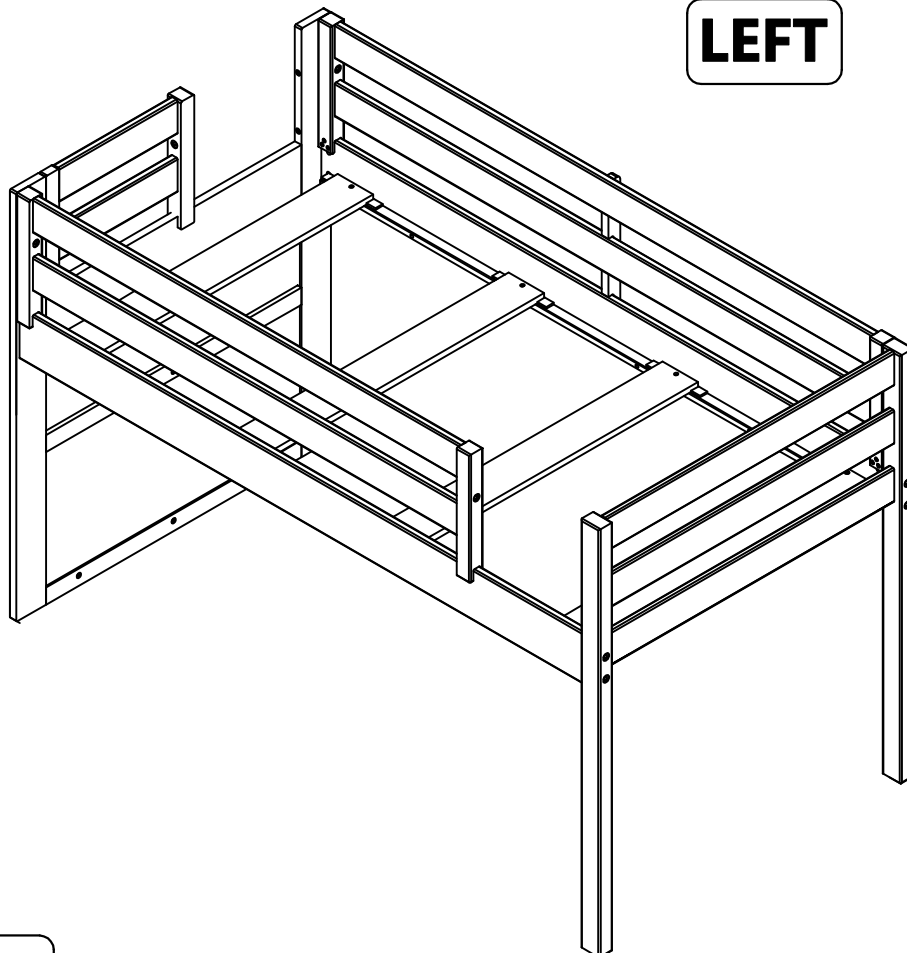


<p>⚠ WARNING: CHOKING HAZARD Small Parts Not for children under 3 years. To be Assembled by an Adult</p>	<p>⚠ ATTENTION: RISQUE D'ÉTOUFFEMENT Petites parties Ne convient pas aux enfants de moins de 3 ans. Doit être assemblé par un adulte</p>	<p>⚠ ADVERTENCIA PELIGRO DE ASFIXIA Partes pequeñas No apta para niños menores de 3 años A ser ensamblado por un adulto</p>	<p>Not Included Non Inclus No Incluido</p> 
--	--	---	--

RIGHT



LEFT



! WARNING!

TO HELP PREVENT SERIOUS OR FATAL INJURIES FROM ENTRAPMENT OR FALLS:

- * NEVER ALLOW A CHILD UNDER 6 YEARS ON UPPER BUNK
- * USE ONLY MATTRESS MEETING THE FOLLOWING SPECIFICATIONS ON UPPER BUNK

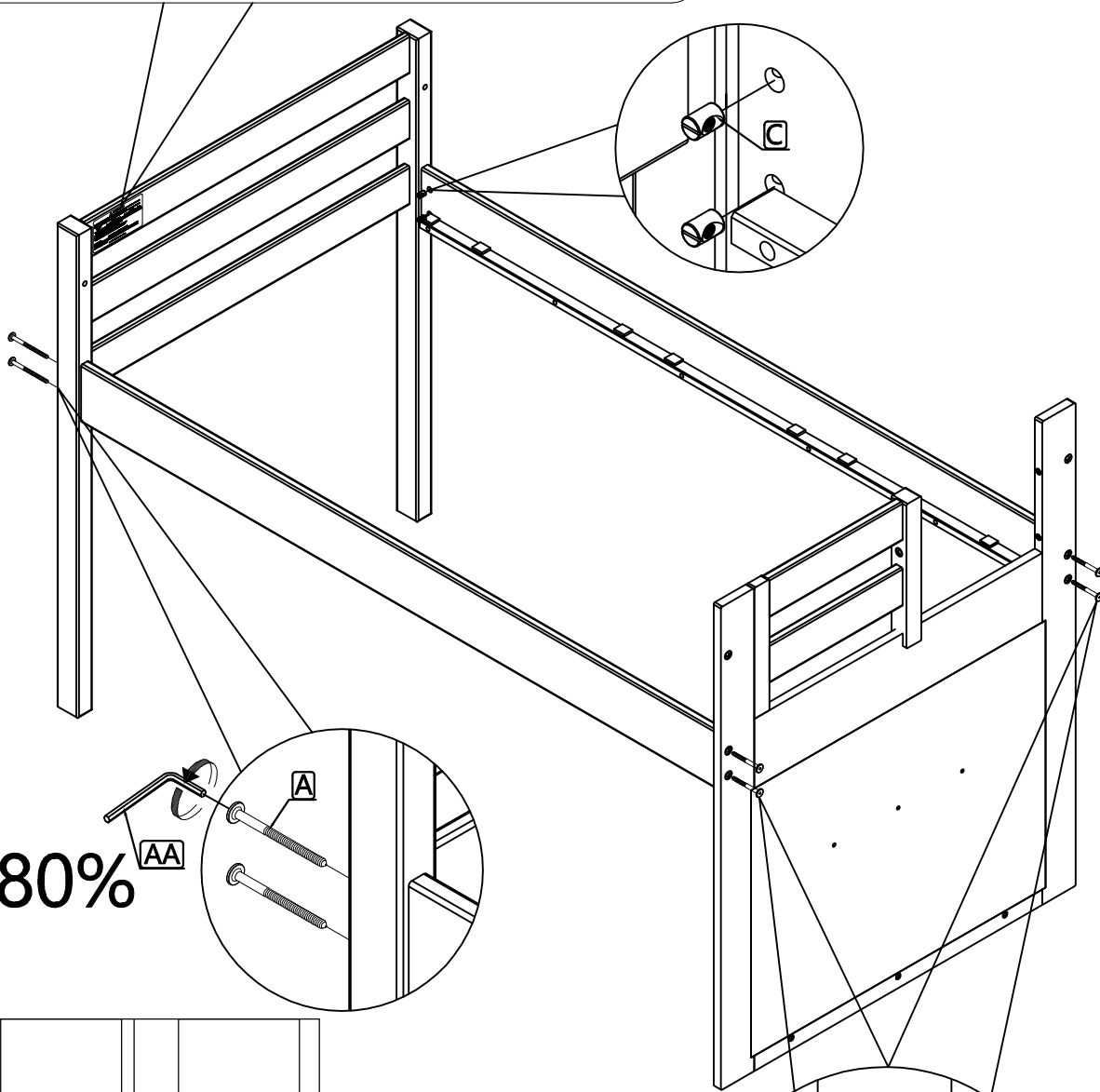
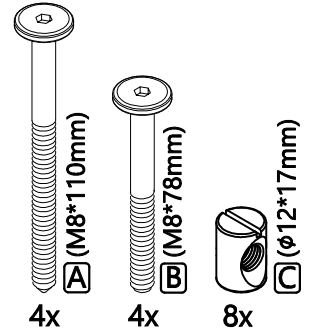
BED TYPE	LENGTH	WIDTH
TWIN	74" - 75" (188 cm - 190 cm)	37 1/2" - 38 1/2" (95 cm - 98 cm)
- * ENSURE THICKNESS OF MATTRESS AND FOUNDATION COMBINED DOES NOT EXCEED 12" (30 cm) AND MATTRESS IS AT LEAST 5" (13 cm) BELOW UPPER EDGE OF GUARDRAILS
- * USE GUARDRAILS ON BOTH SIDES OF UPPER BUNK
- * PROHIBIT HORSEPLAY ON OR UNDER BED(S)
- * PROHIBIT MORE THAN ONE PERSON ON THE UPPER BUNK
- * USE LADDER FOR ENTERING AND LEAVING UPPER BUNK

STRANGULATION HAZARD

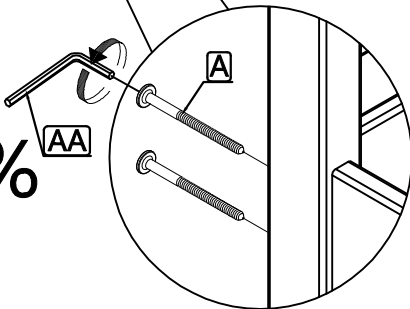
NEVER ATTACH OR HANG ITEMS TO ANY PART OF THE BUNK BED THAT ARE NOT DESIGNED FOR USE WITH THE BED; FOR EXAMPLE, BUT NOT LIMITED TO, HOOKS, BELTS AND JUMPROPE

DO NOT REMOVE THIS LABEL

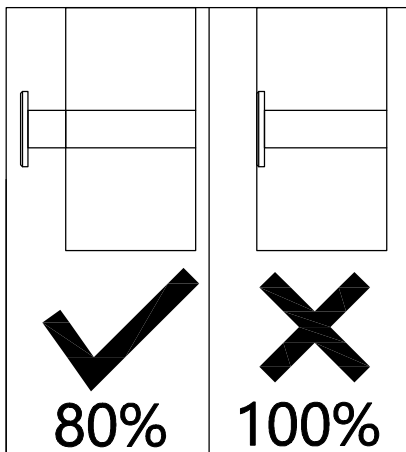
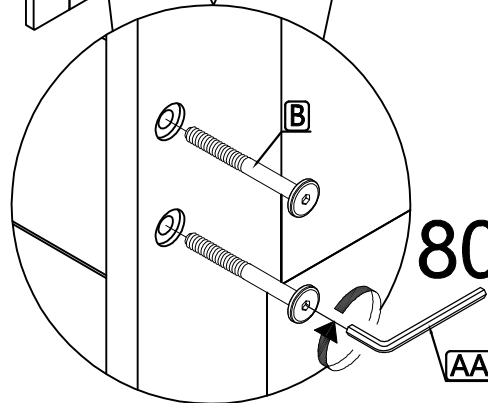
RIGHT



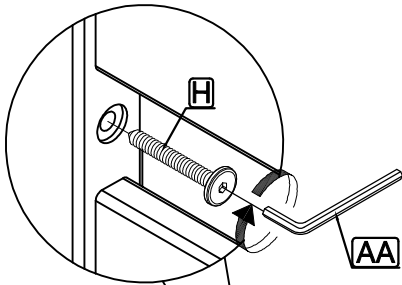
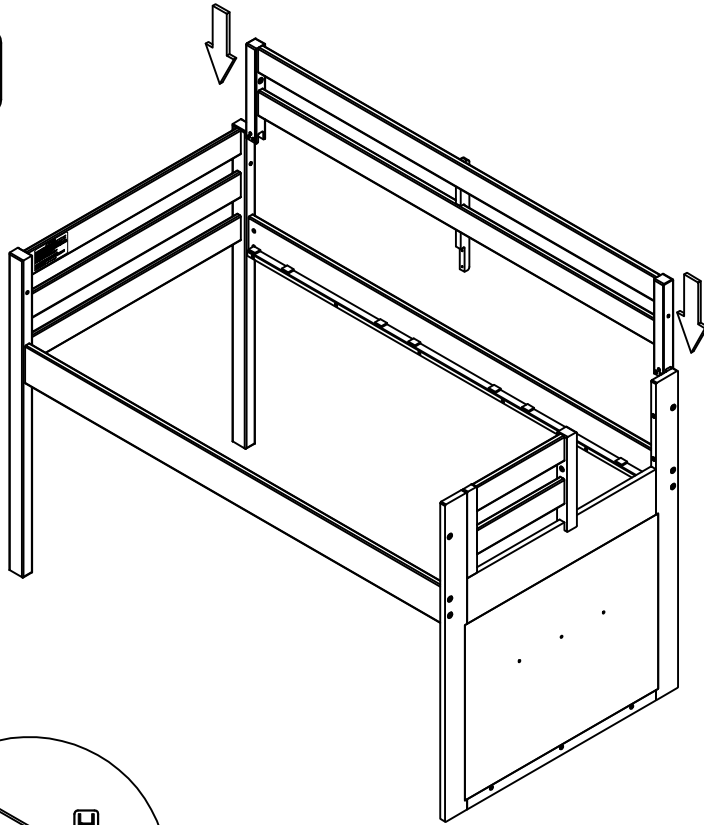
80%



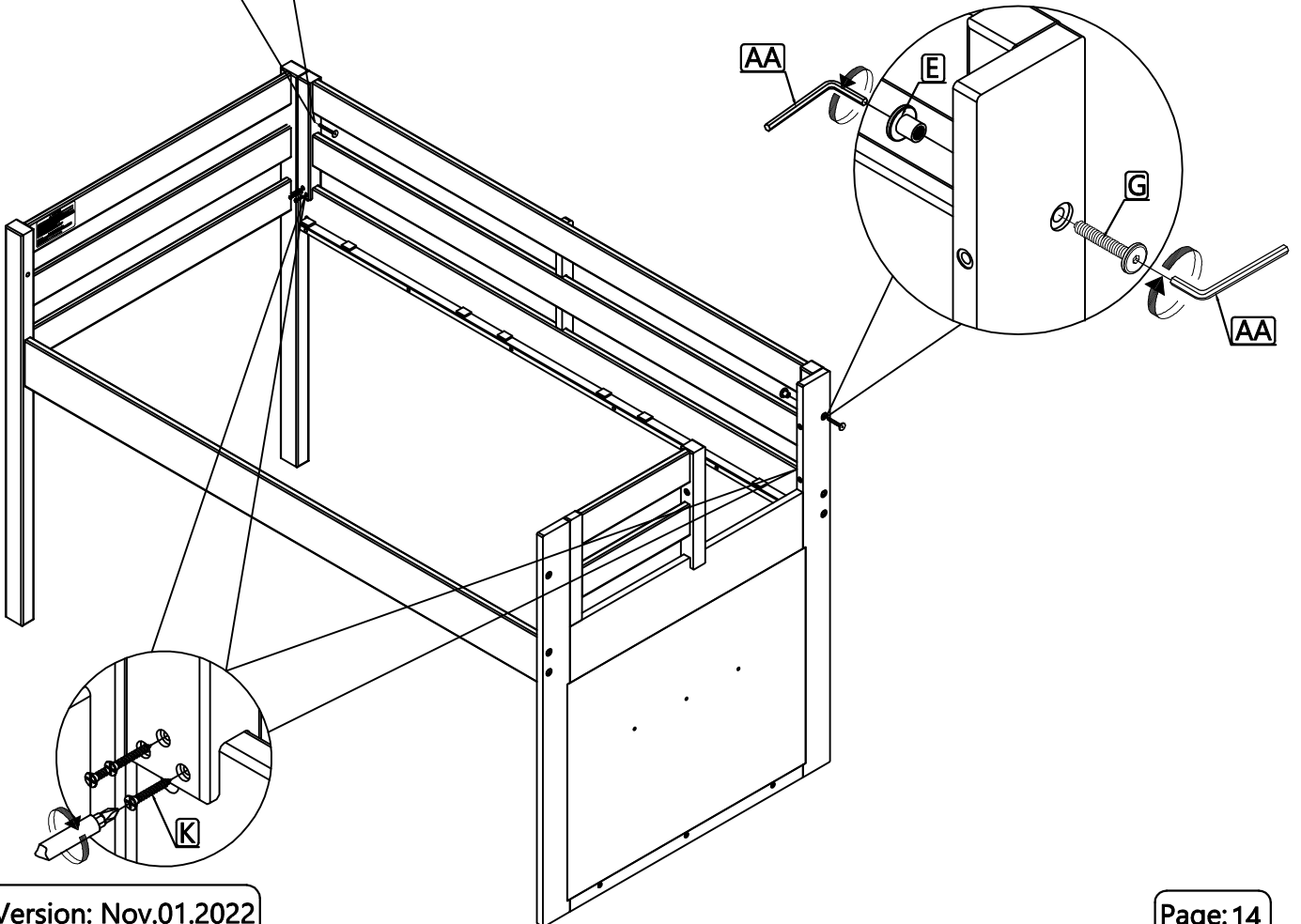
80%



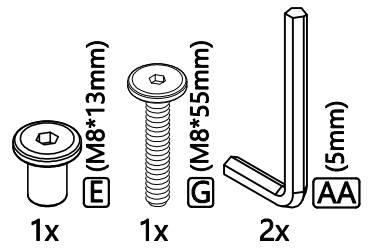
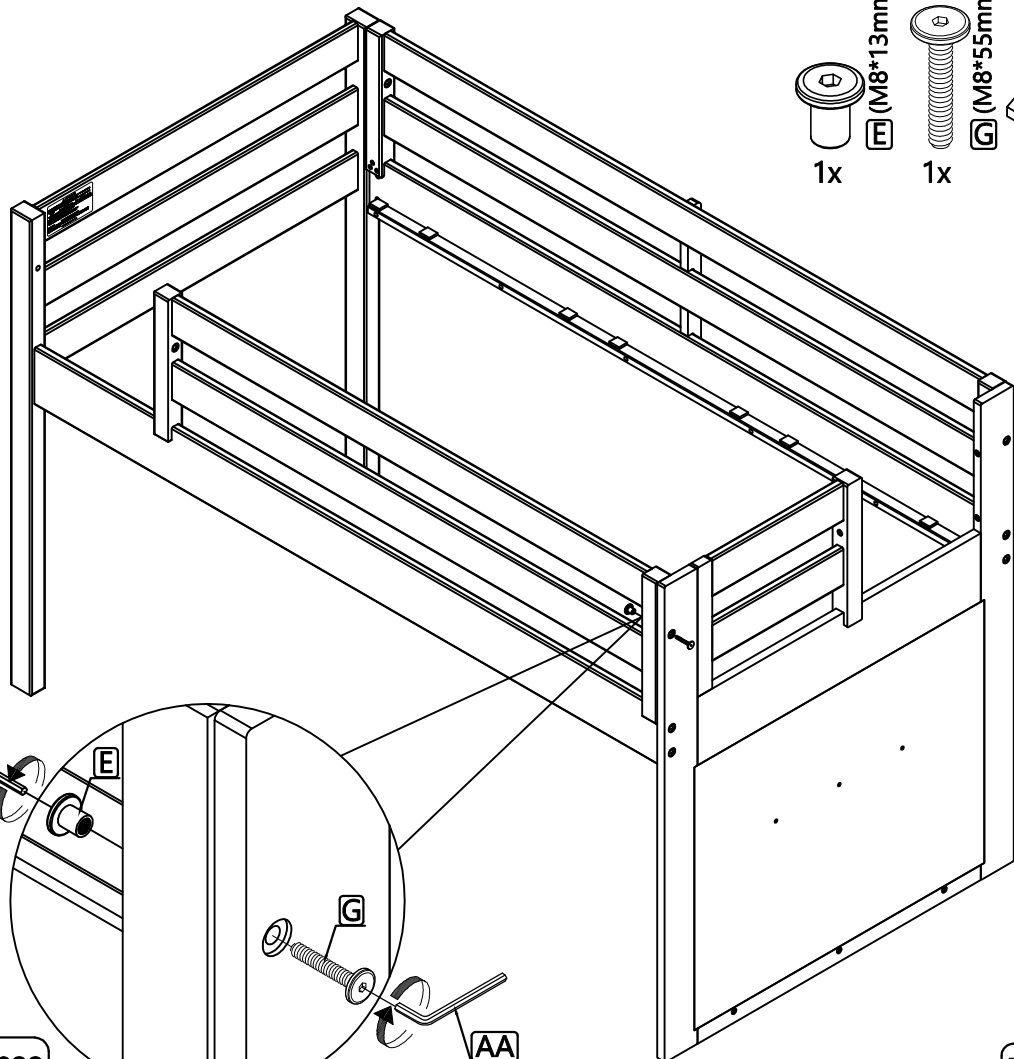
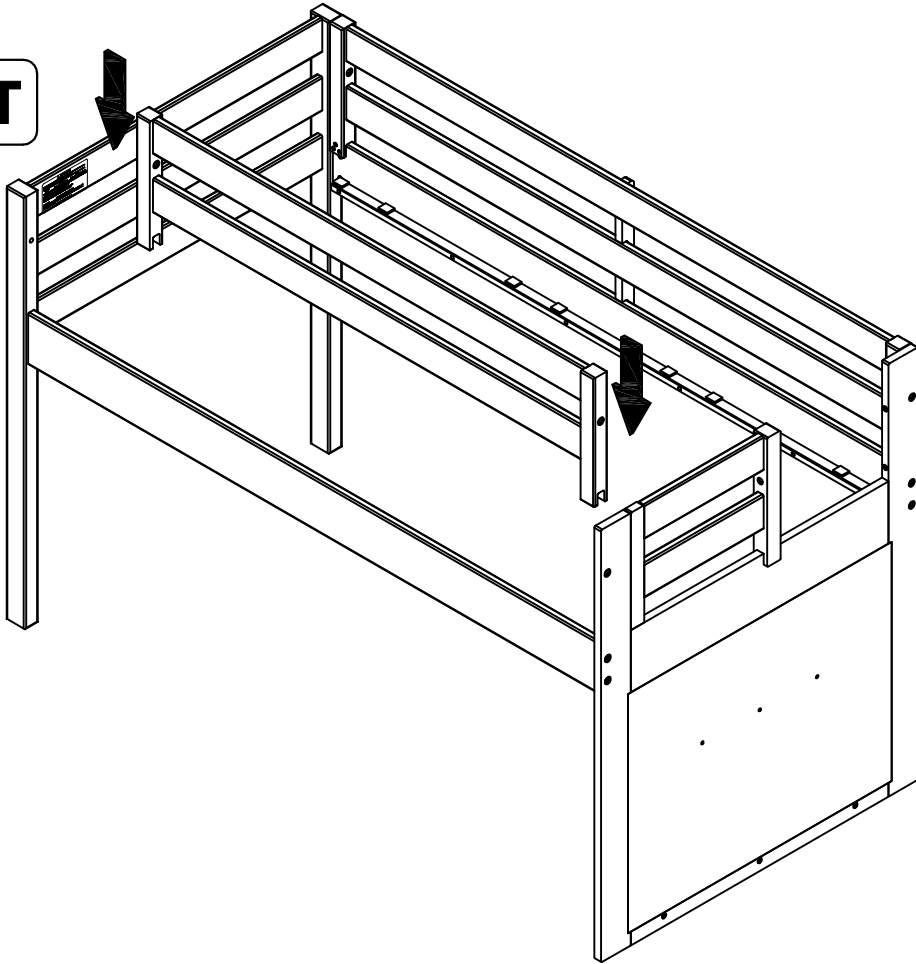
RIGHT



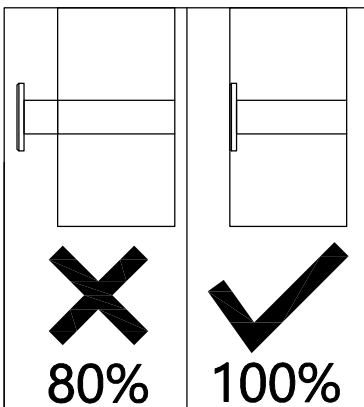
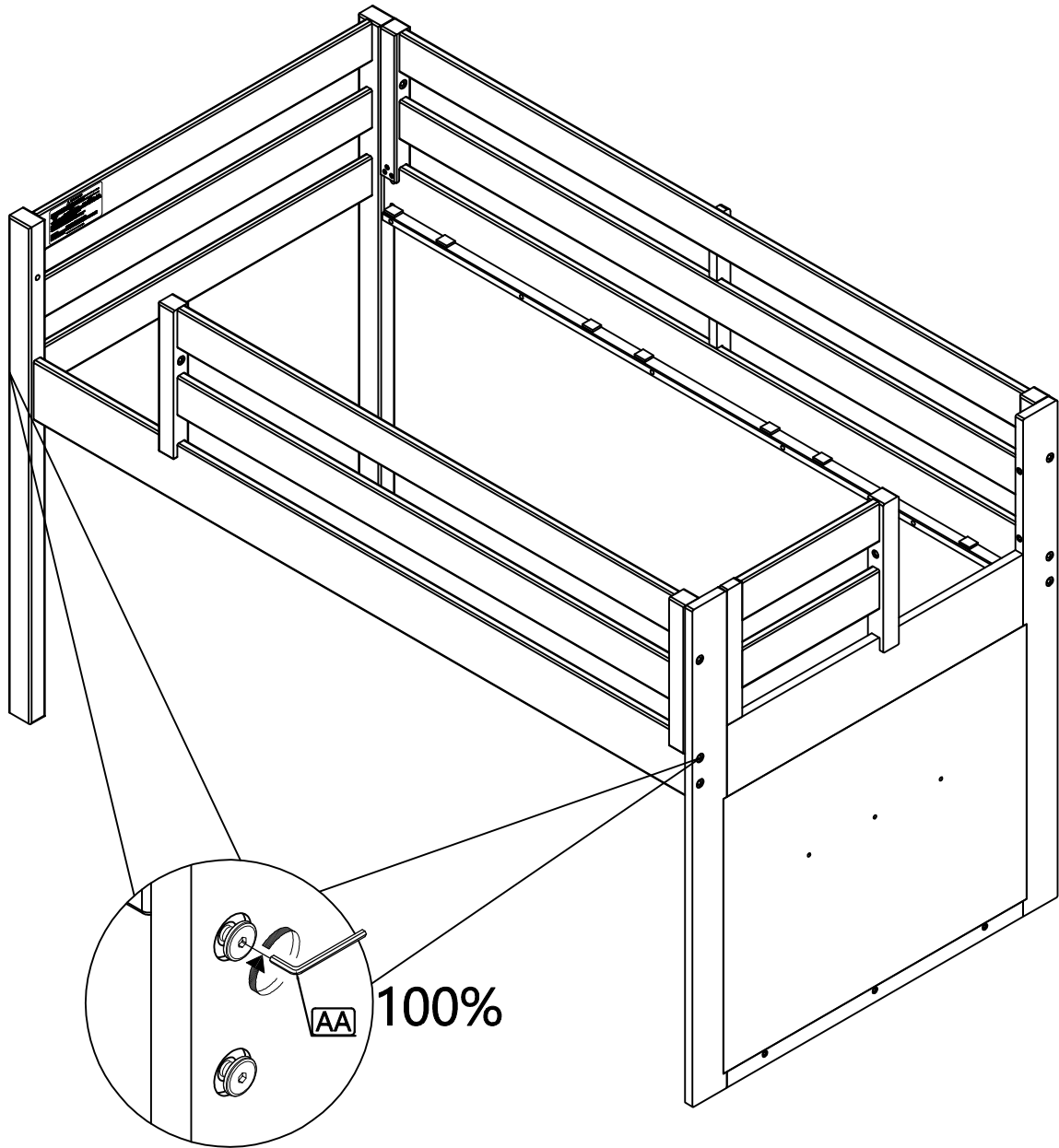
- 1x (M8*13mm)
- 1x (M8*55mm)
- 2x (5mm)
- 6x (4*25mm)
- 1x (M8*60mm)



RIGHT

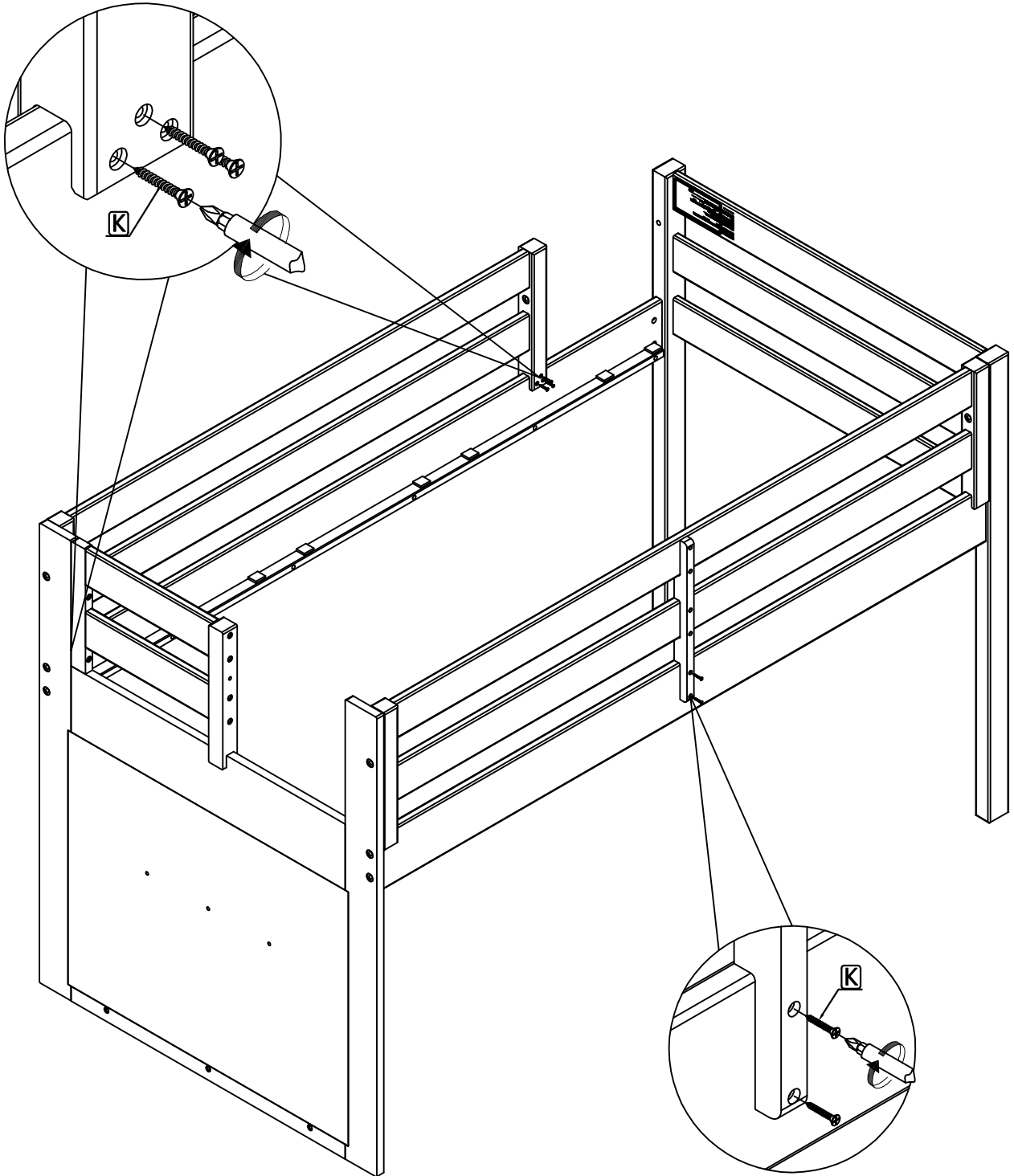


RIGHT

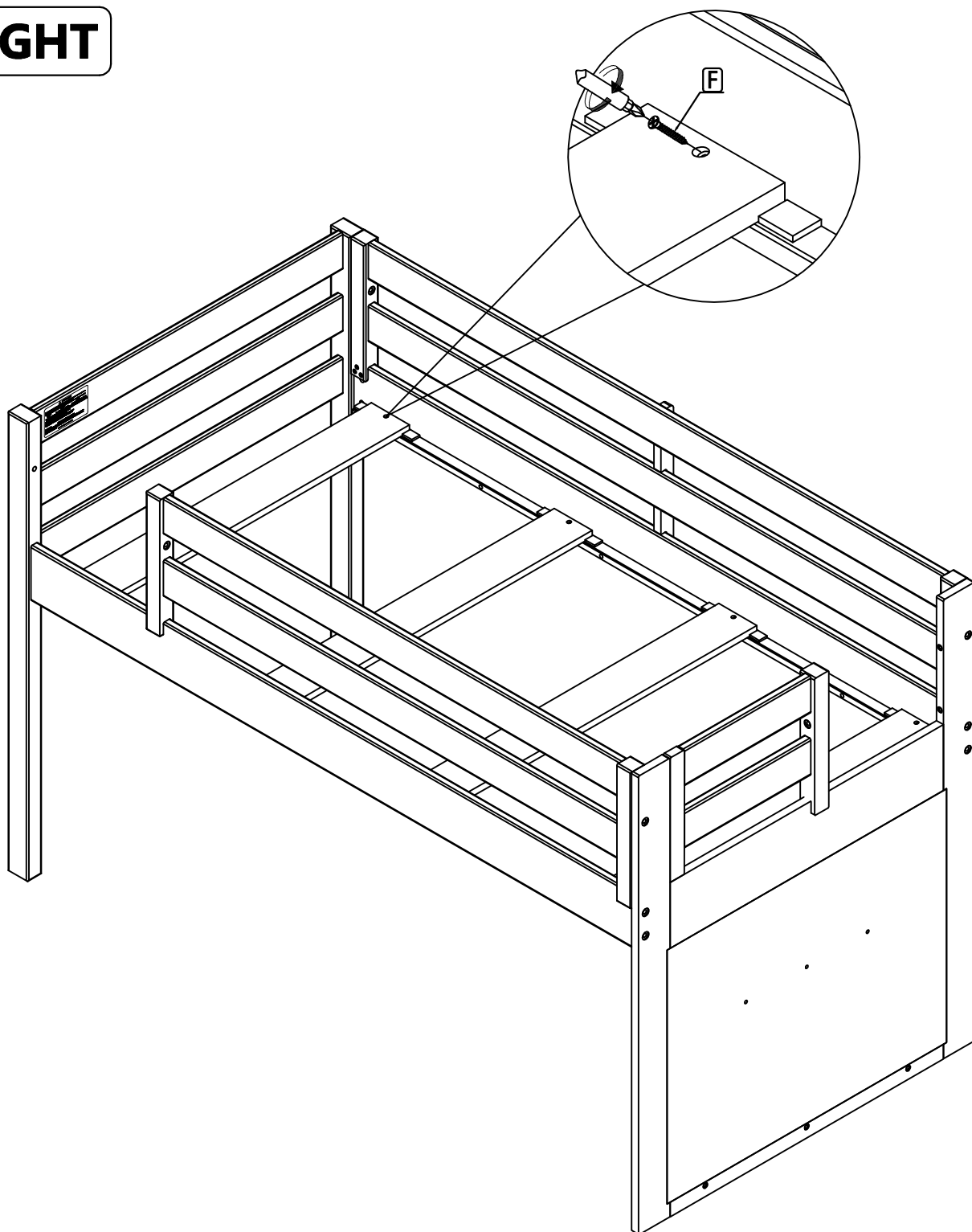


RIGHT

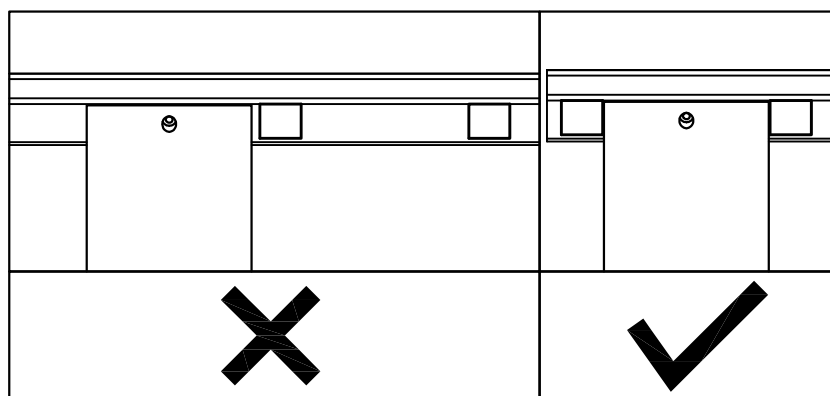
8x
K (4*25mm)



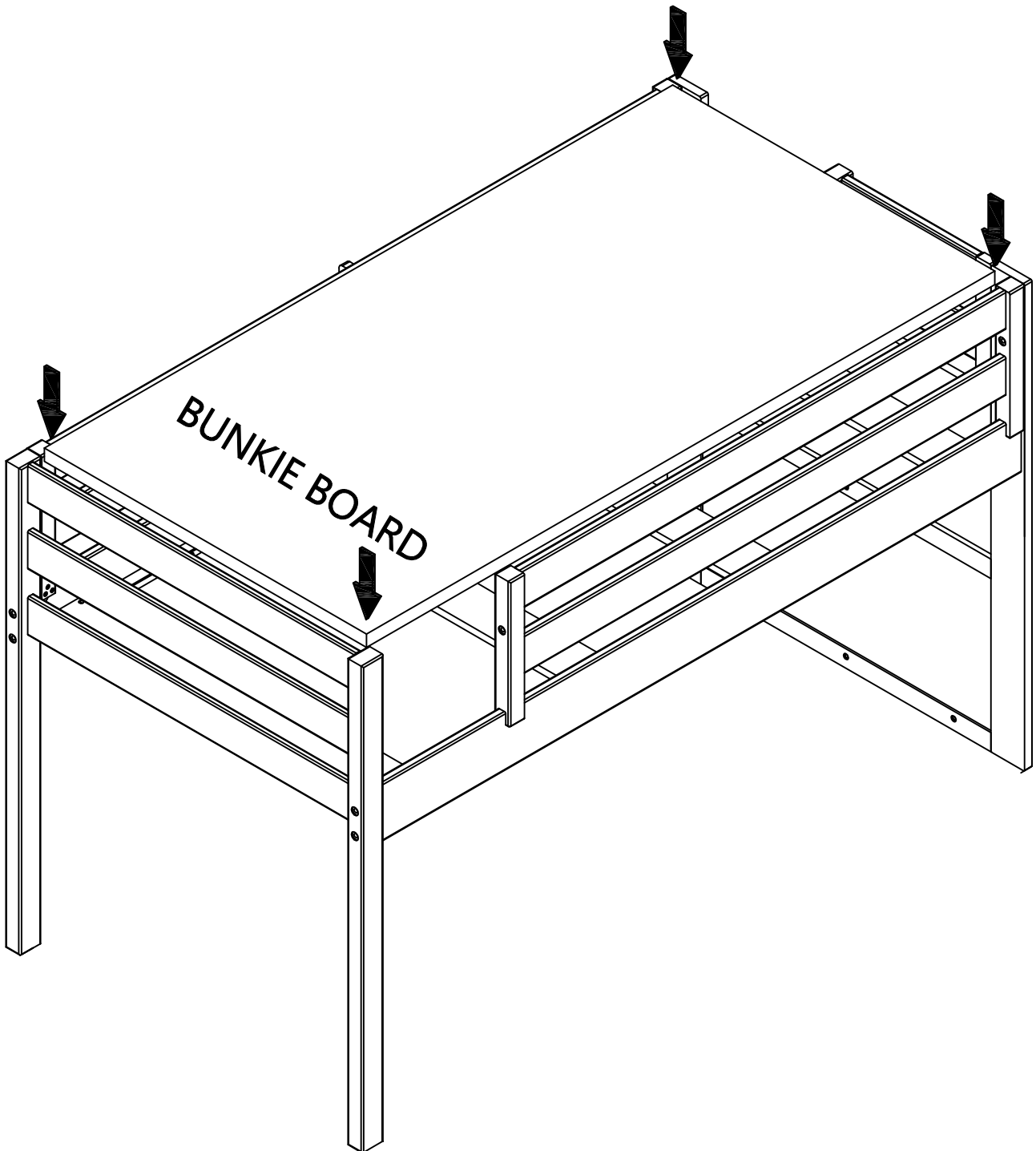
RIGHT



 (4*30mm)
8x



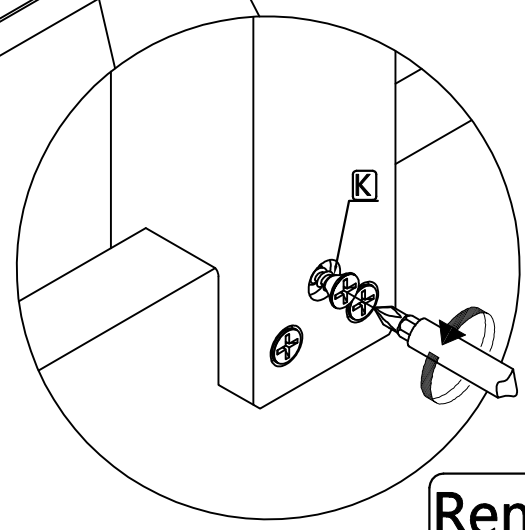
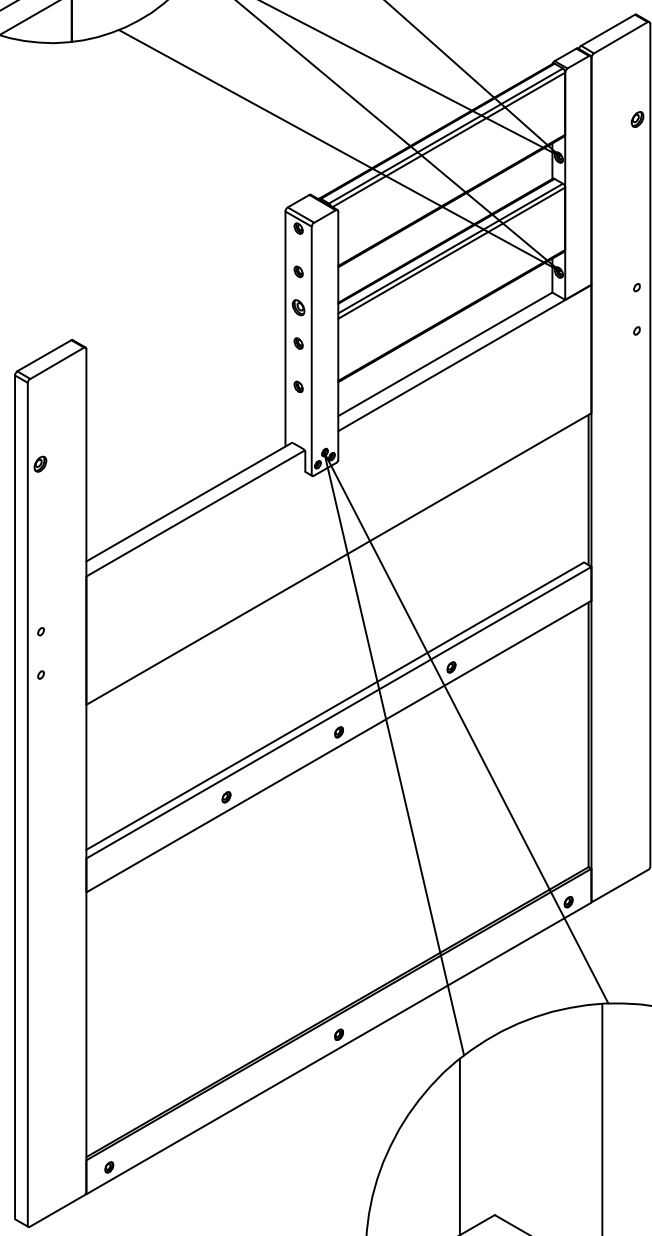
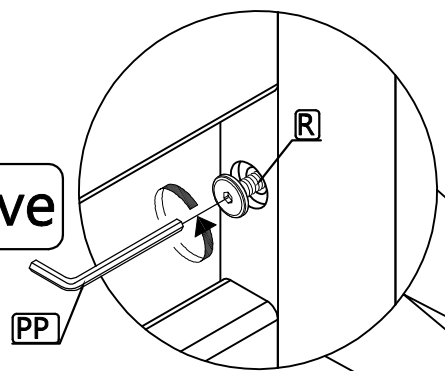
RIGHT



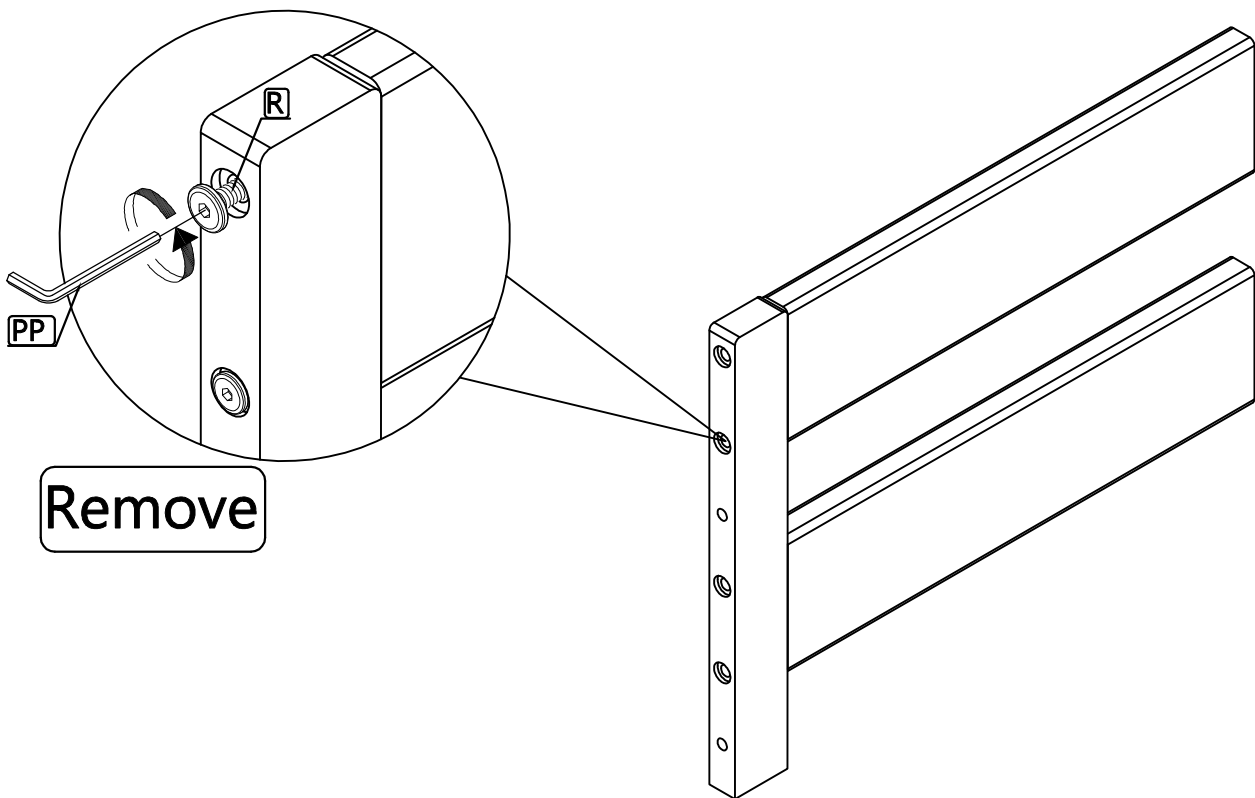
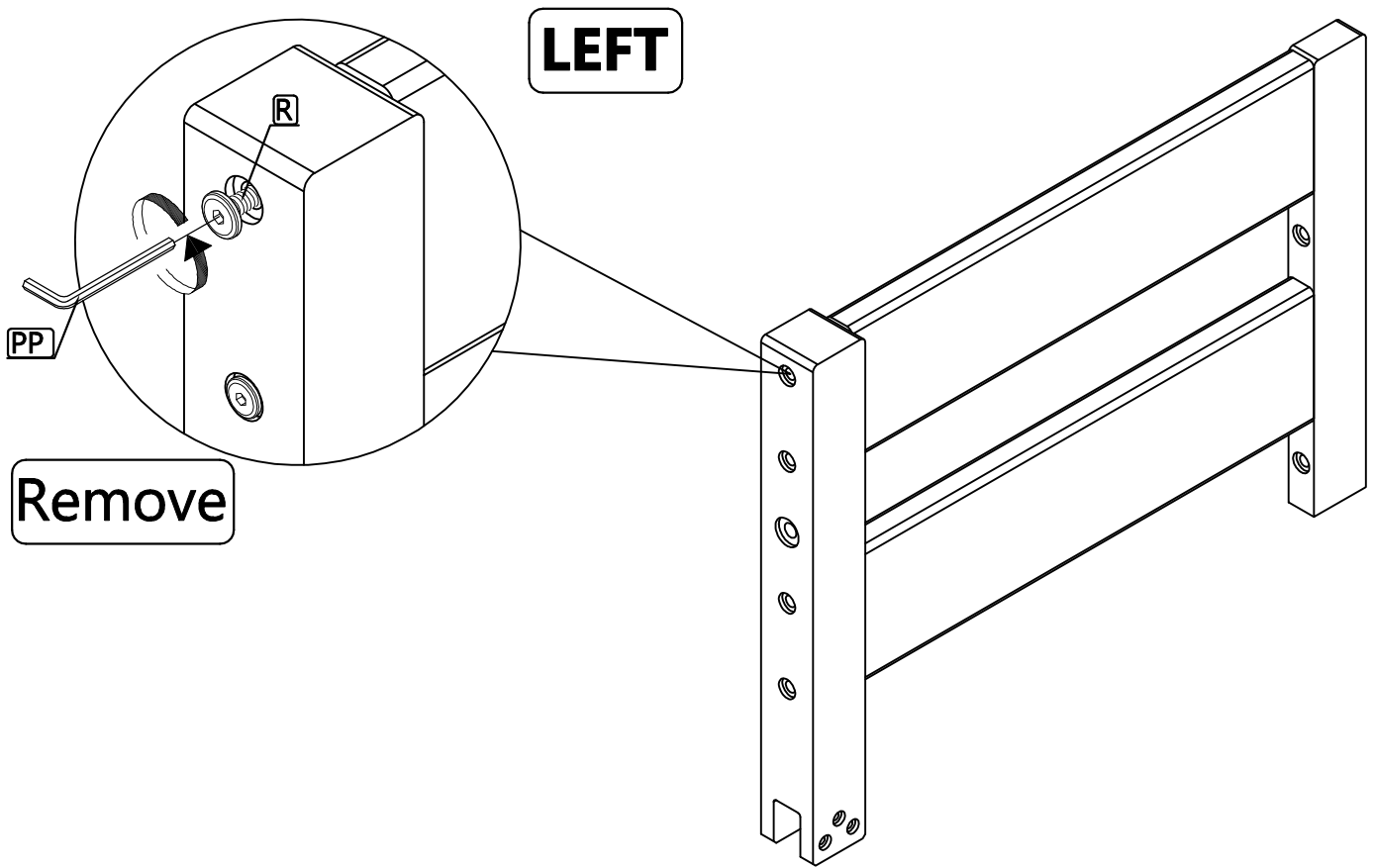
Place Bunkie Board (Required, Sold Separately) On Top Of The Slats.

LEFT

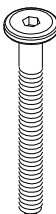
Remove

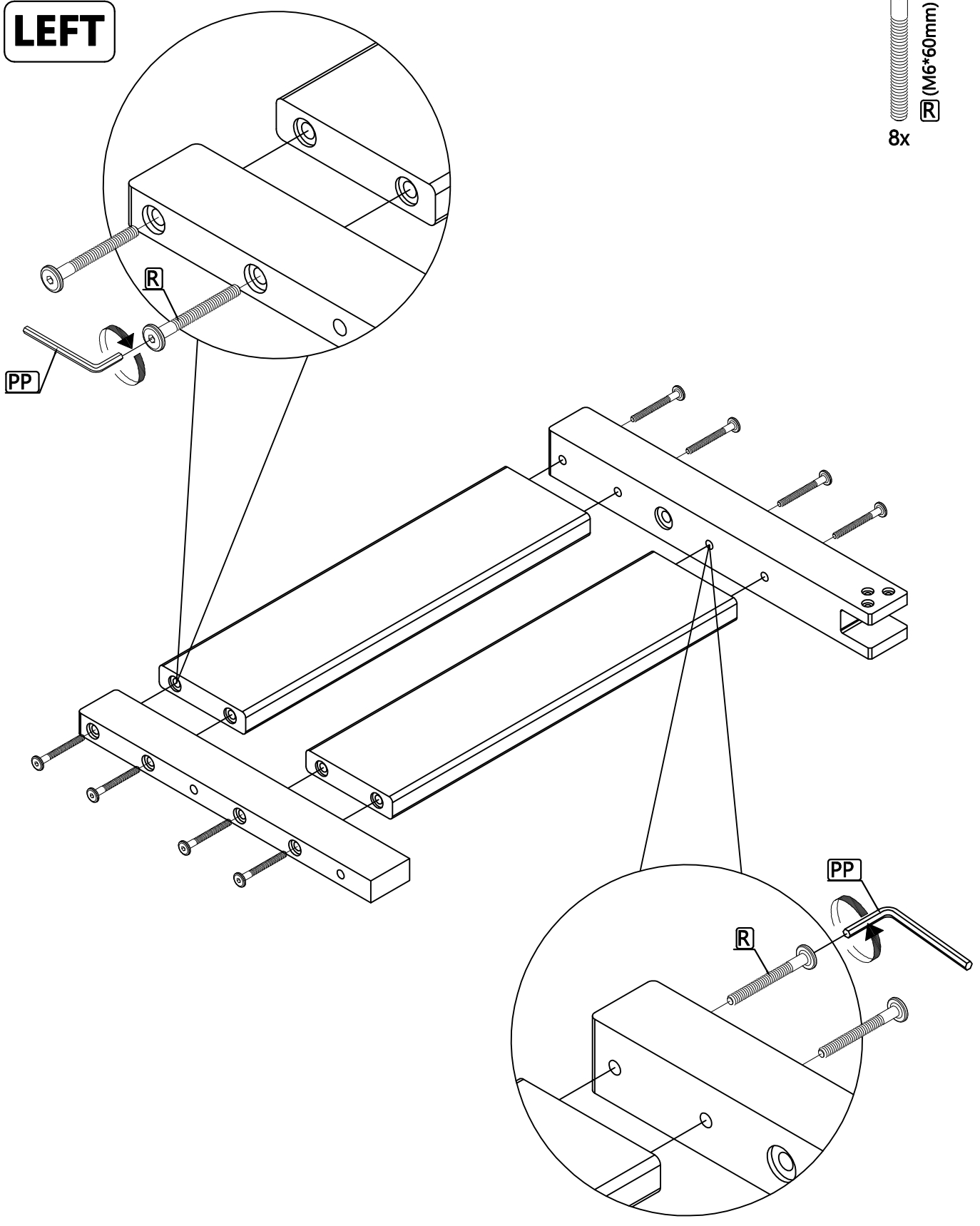


Remove

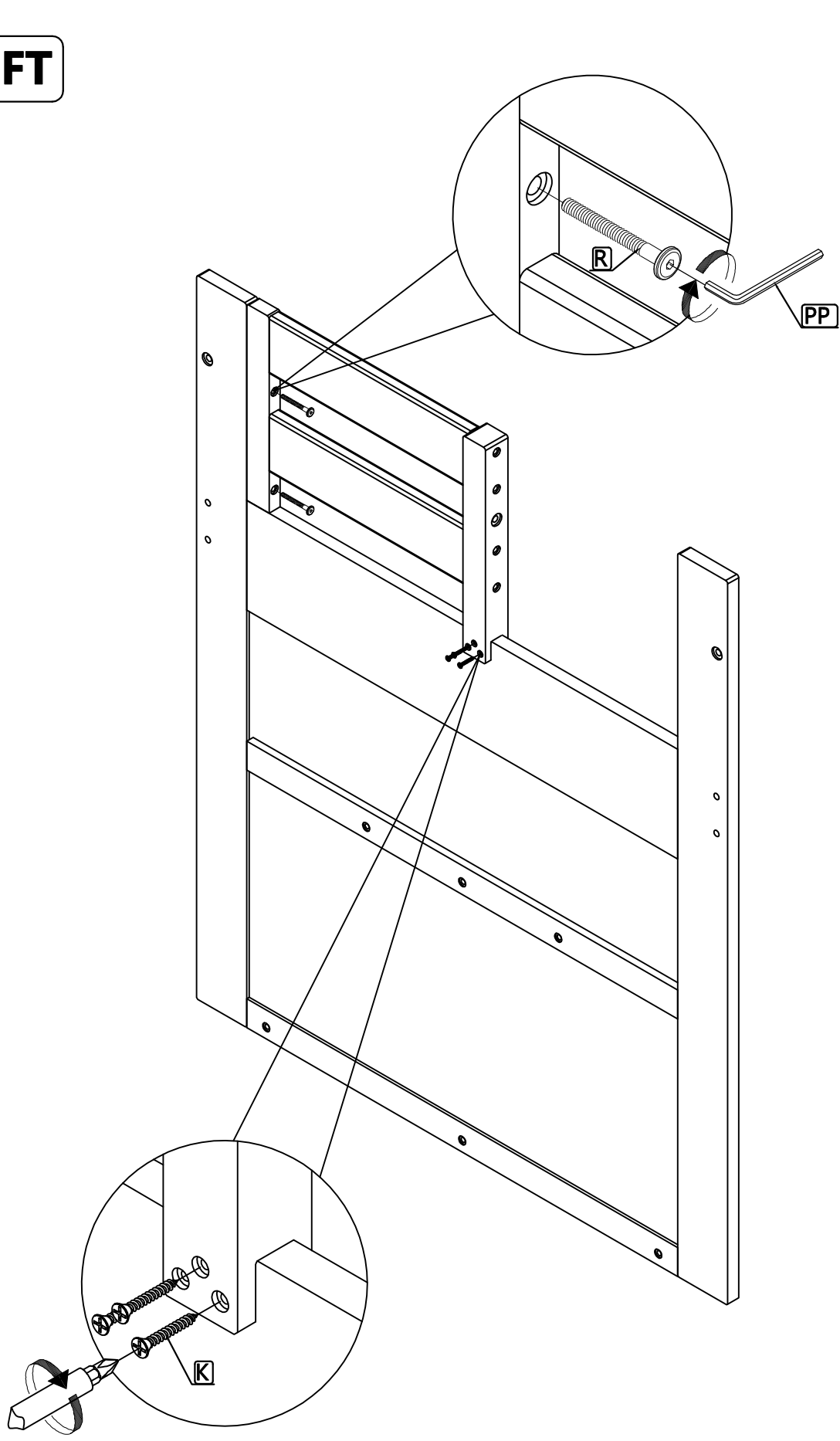


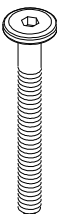

LEFT

 **(M6*60mm)**
8x

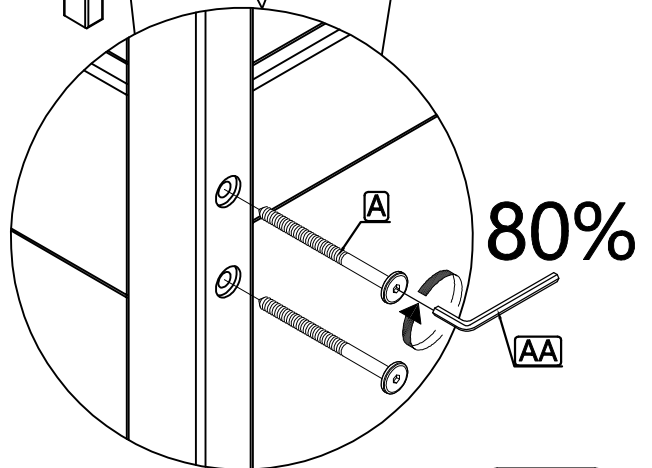
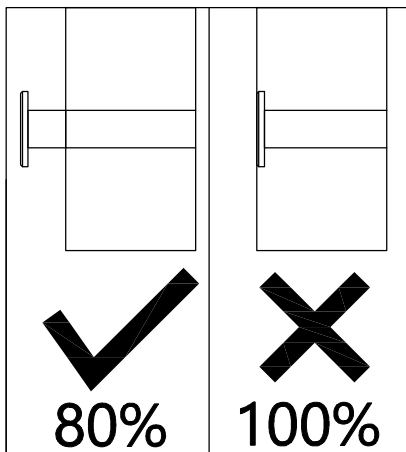
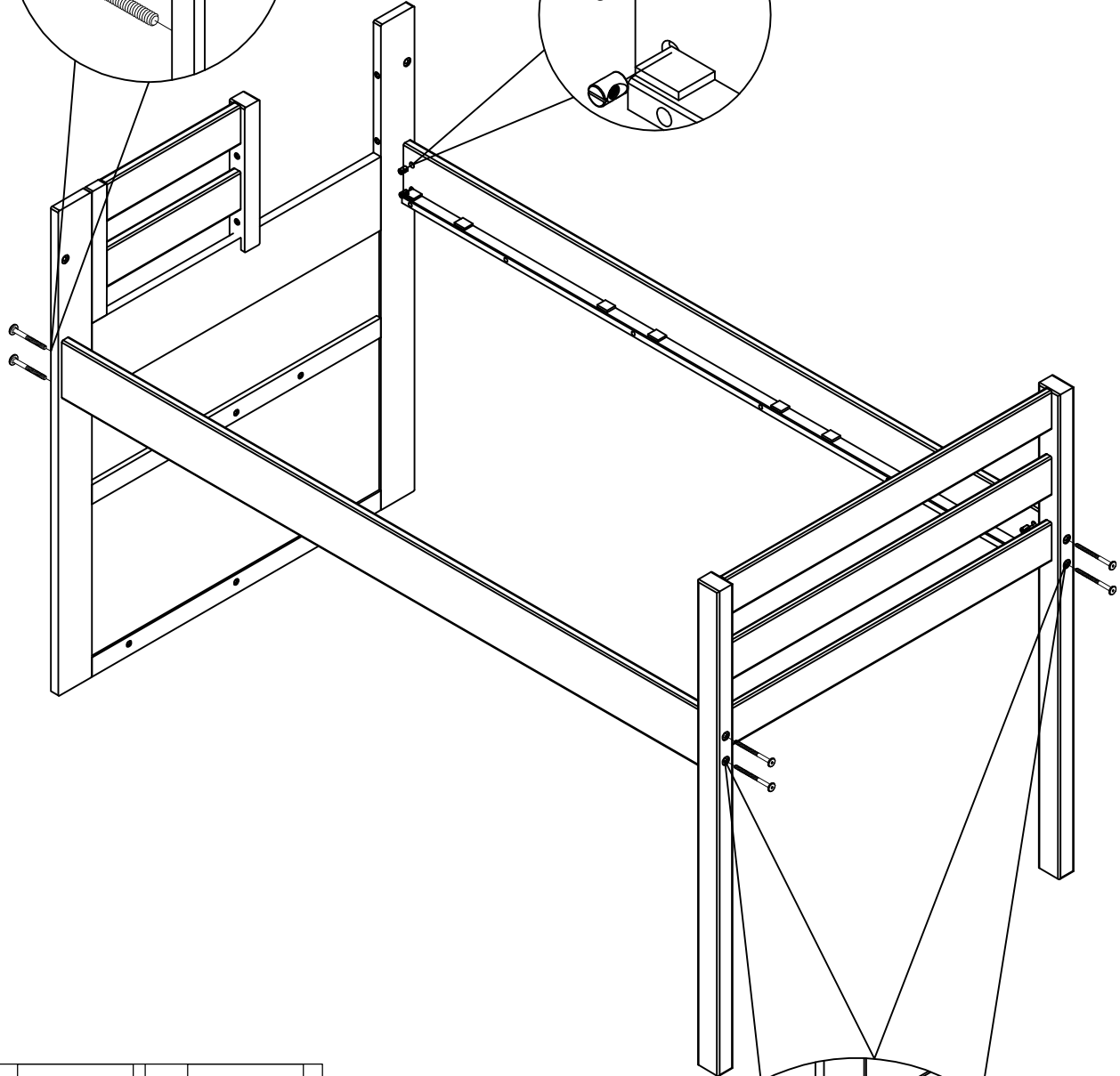
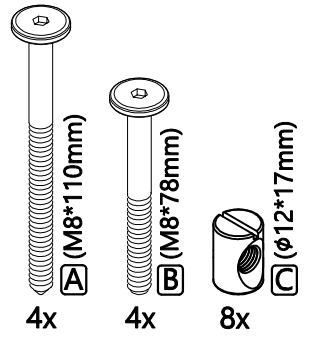
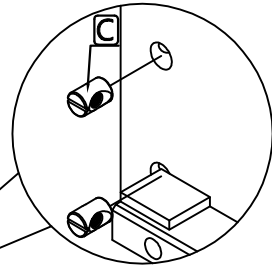
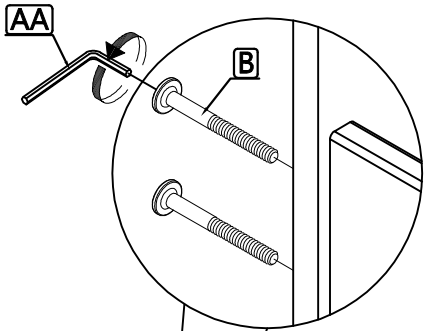


LEFT

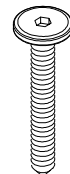


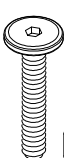


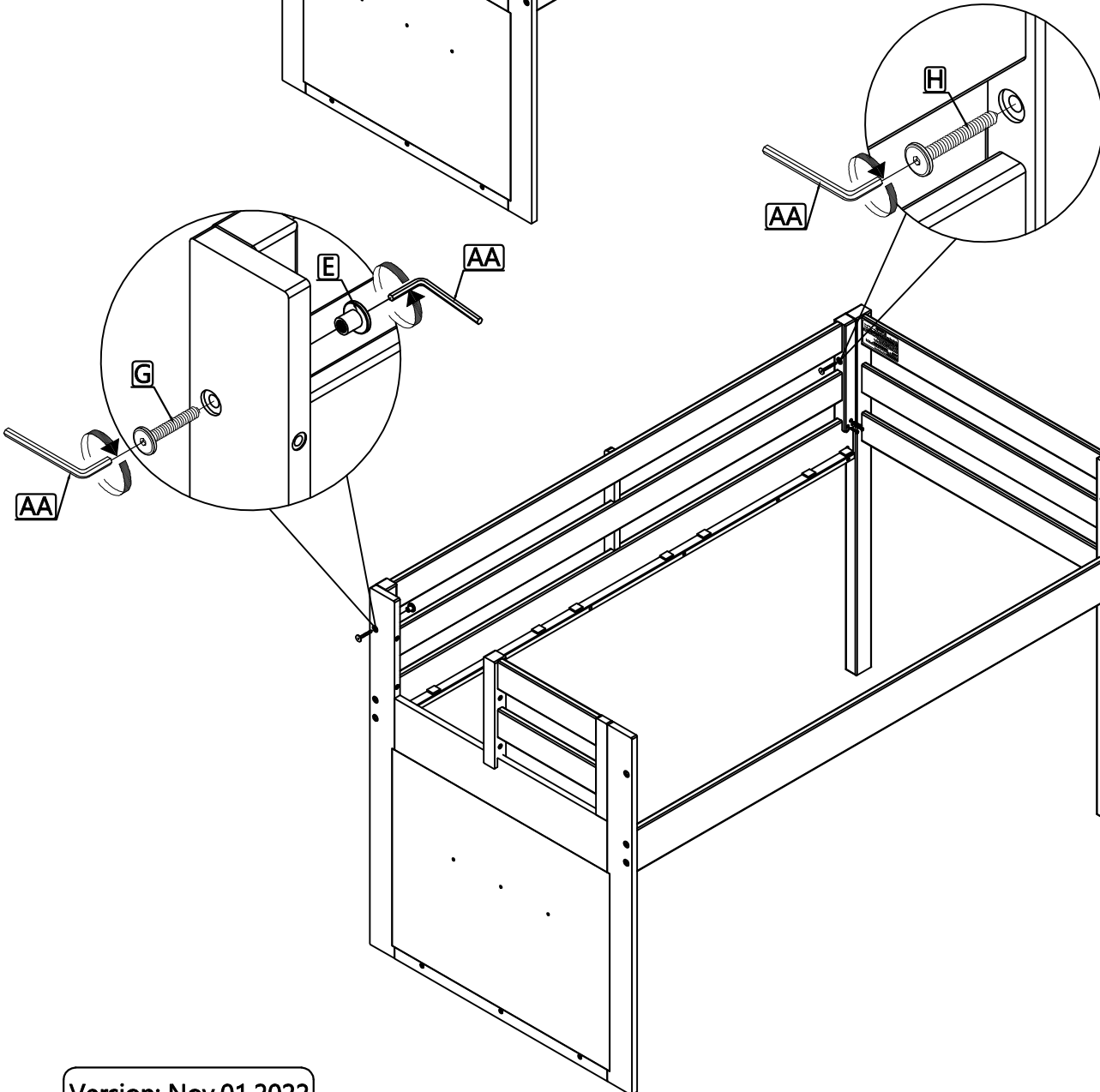
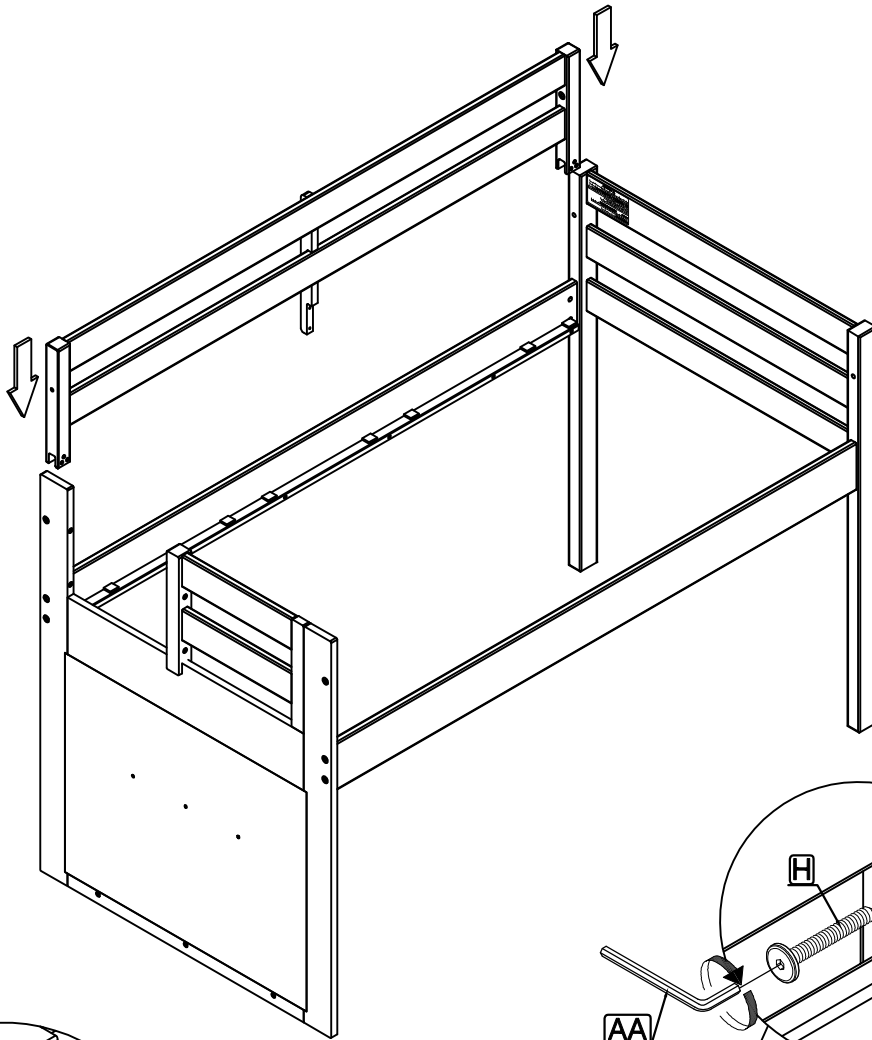
-  **R** (M6*60mm) 2x
-  **K** (4*25mm) 3x

LEFT



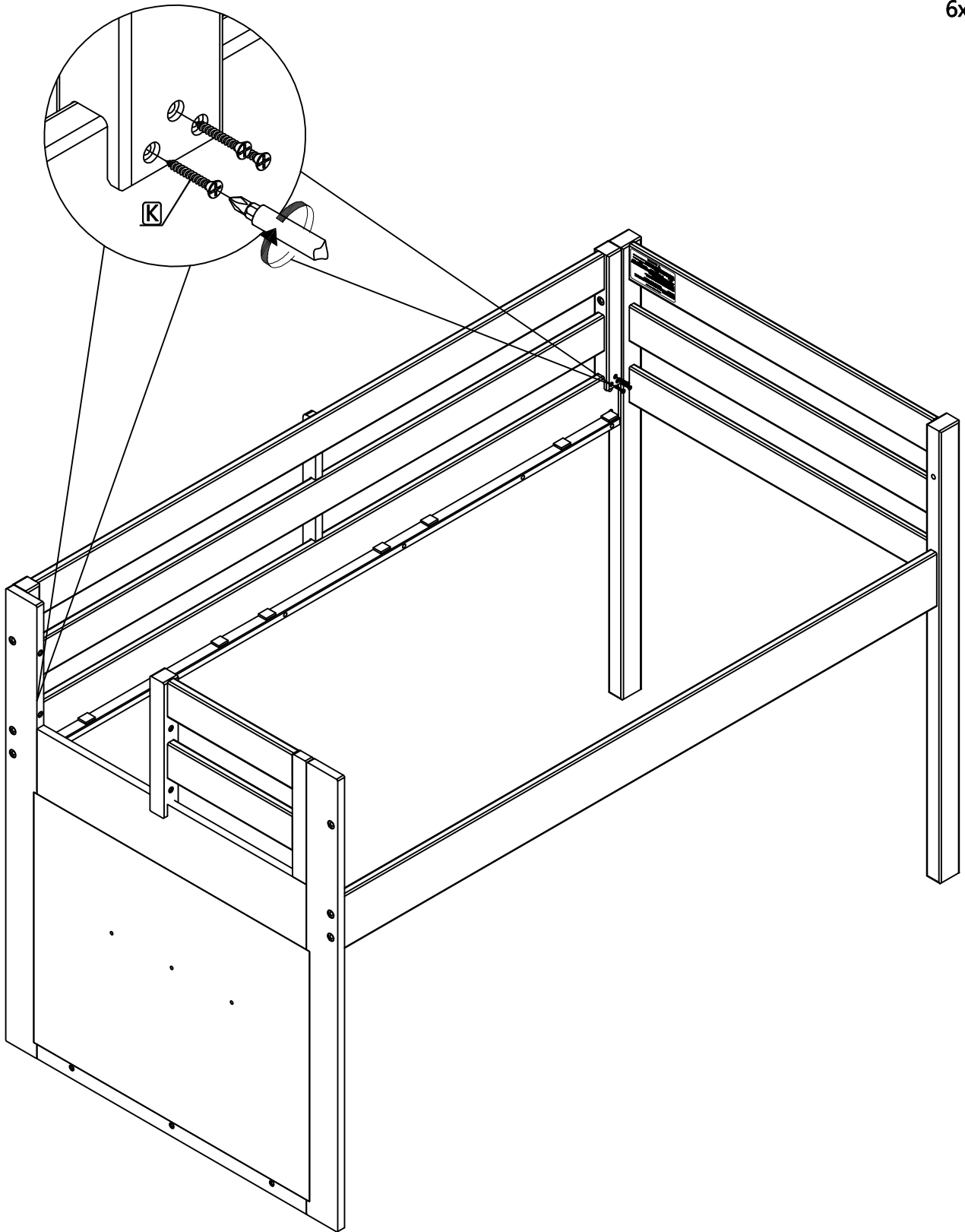
LEFT

-  **G** (M8*55mm) 1x
-  **H** (M8*60mm) 1x
-  **E** (M8*13mm) 1x
-  **G** (M8*55mm) 1x

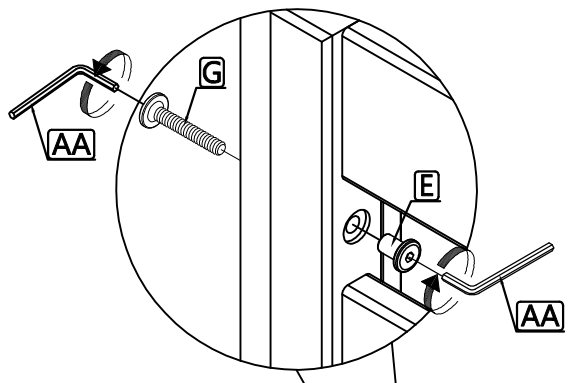
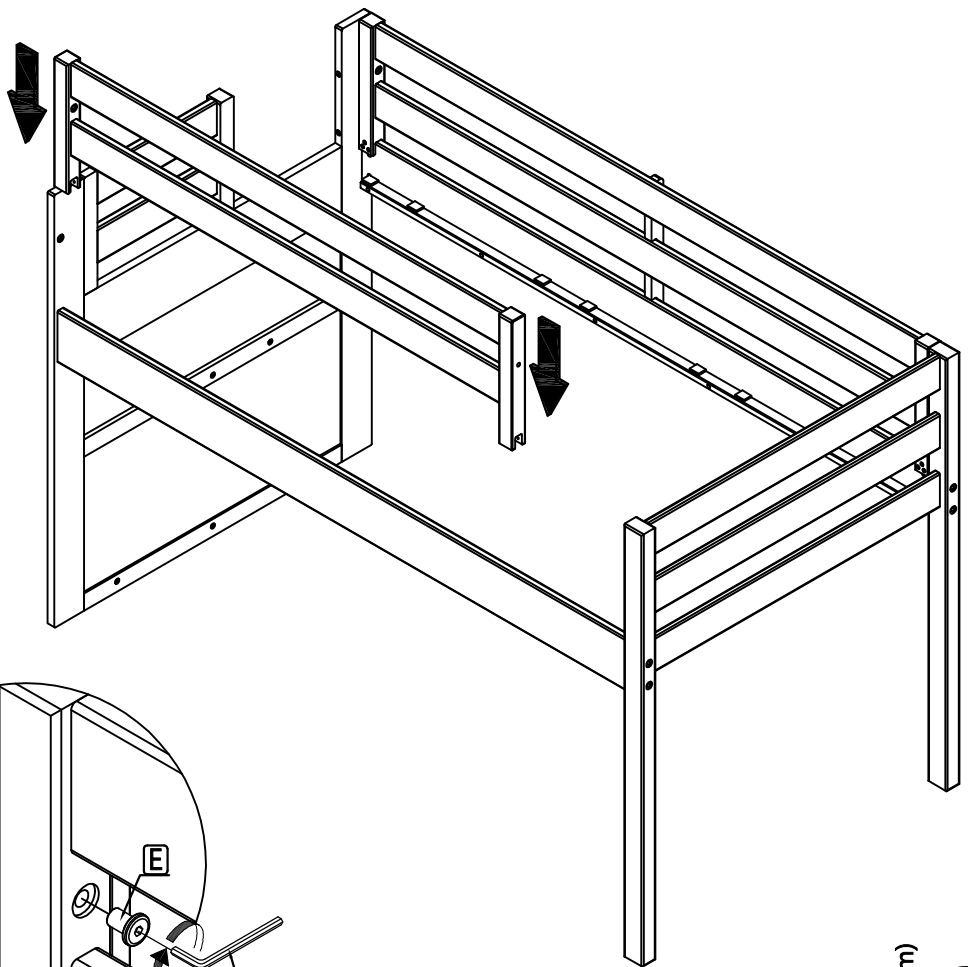


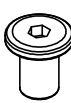
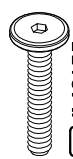
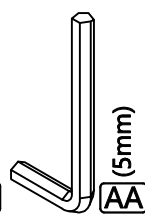
LEFT

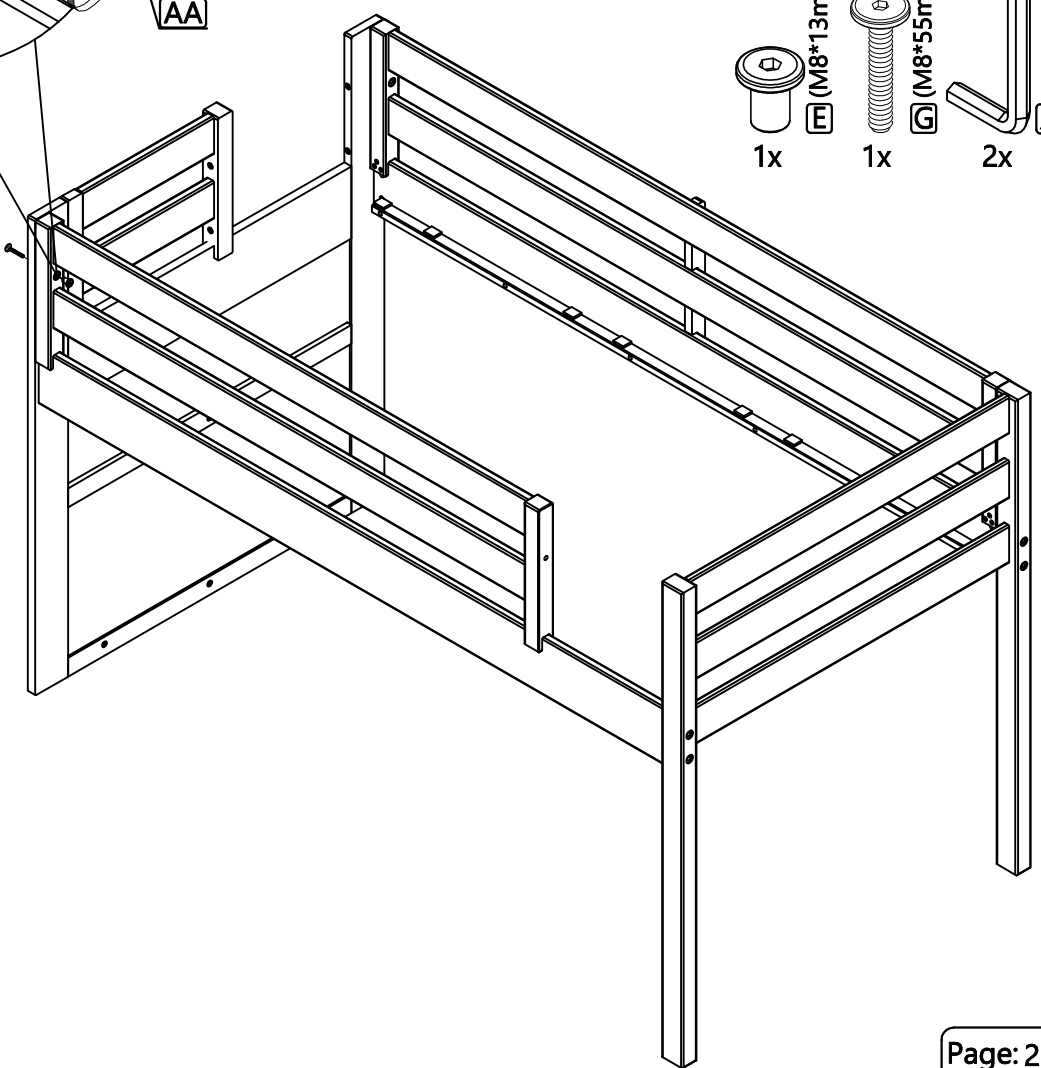
6x
K (4*25mm)



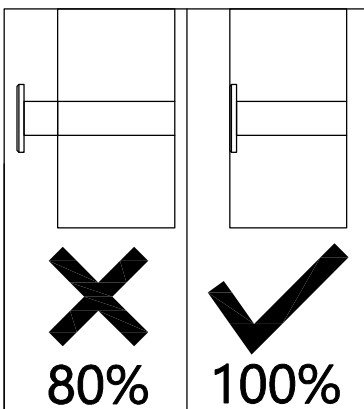
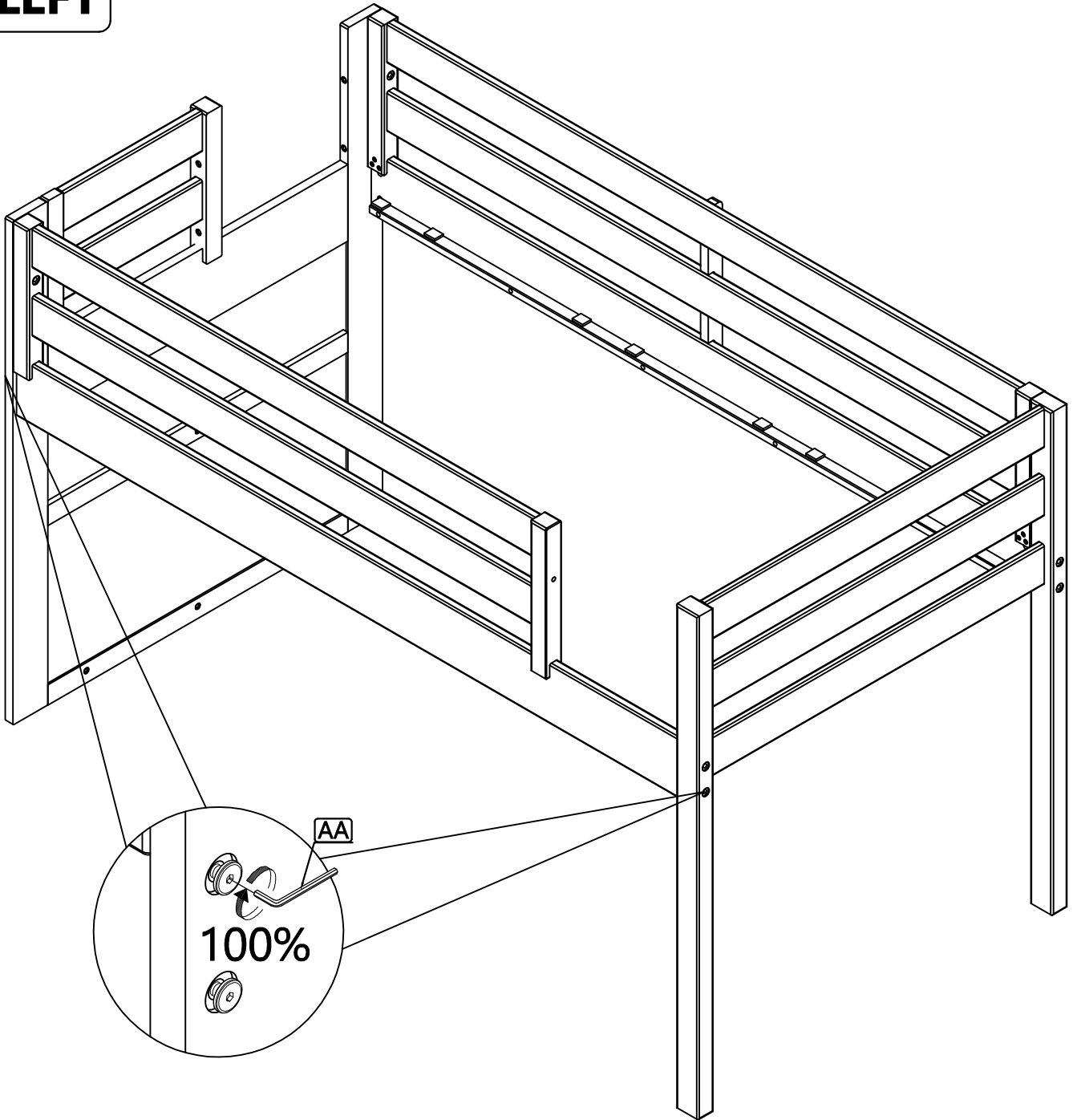
LEFT



-  **E** (M8*13mm) 1x
-  **G** (M8*55mm) 1x
-  **AA** (5mm) 2x

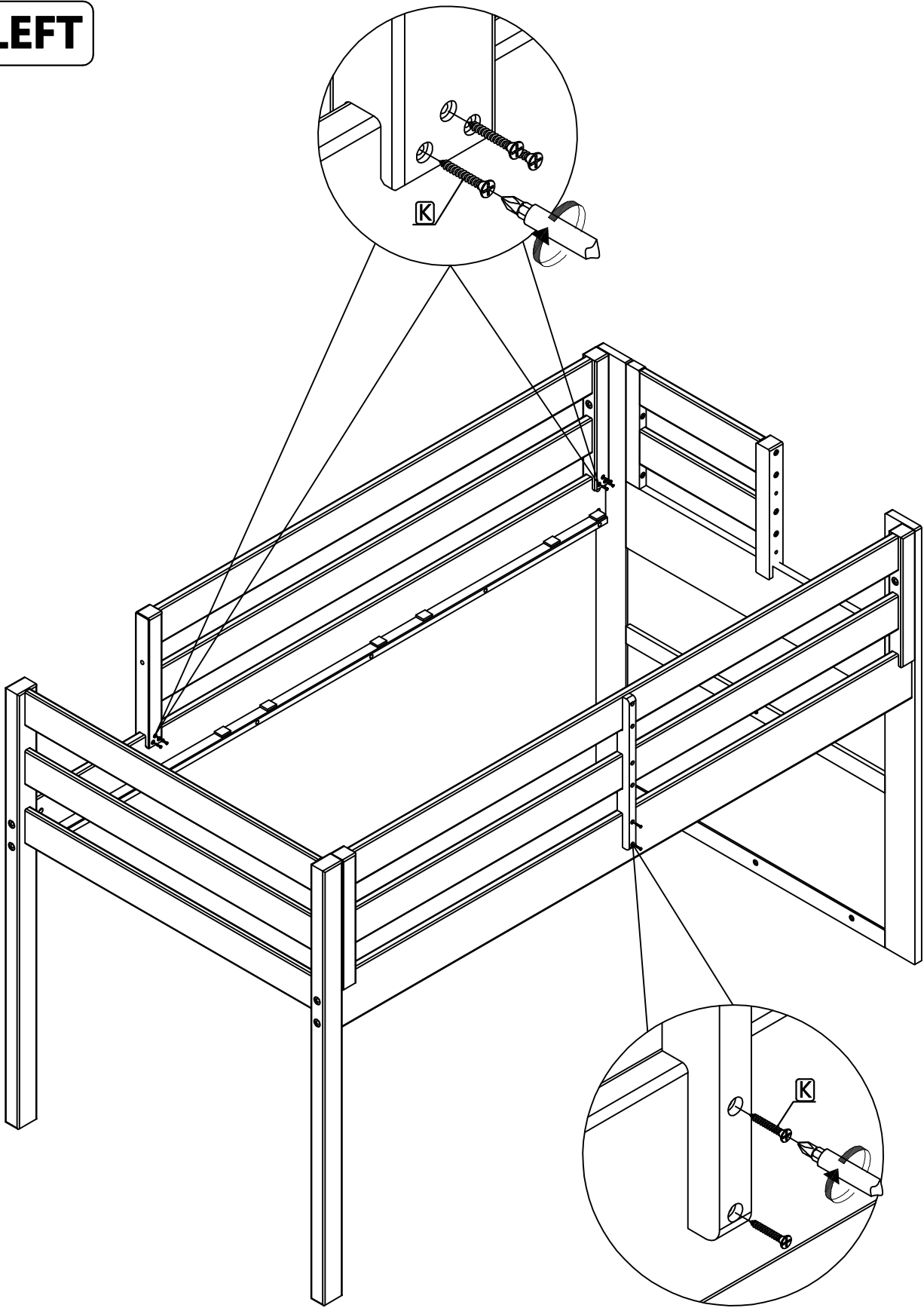


LEFT

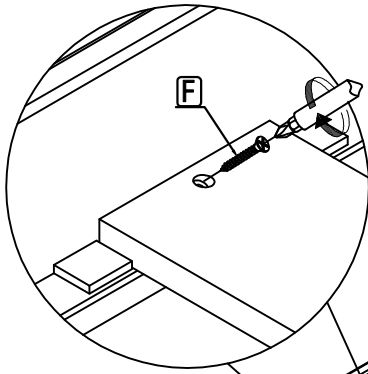


LEFT

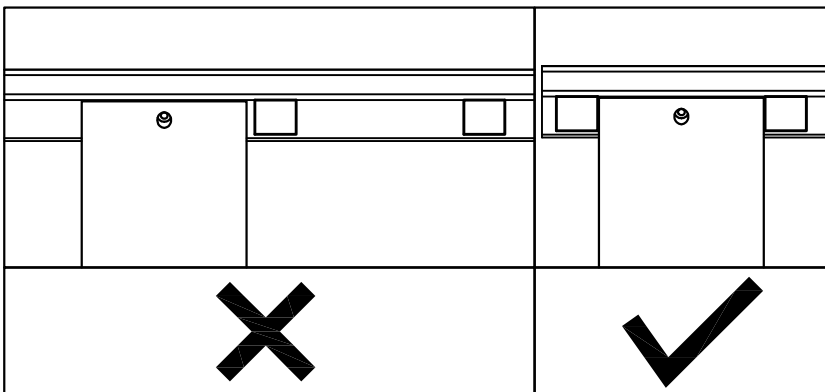
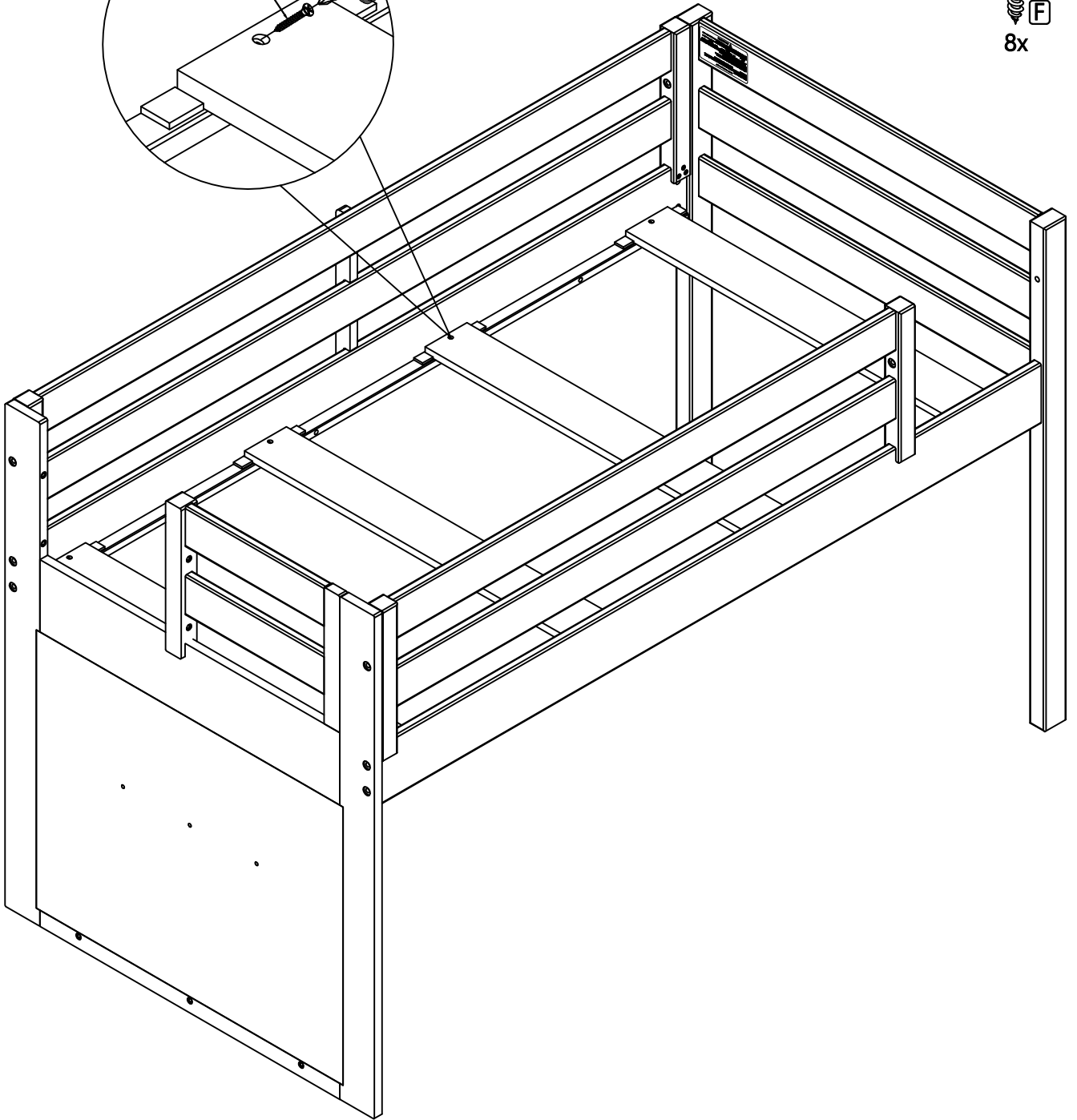
8x  (4*25mm) 



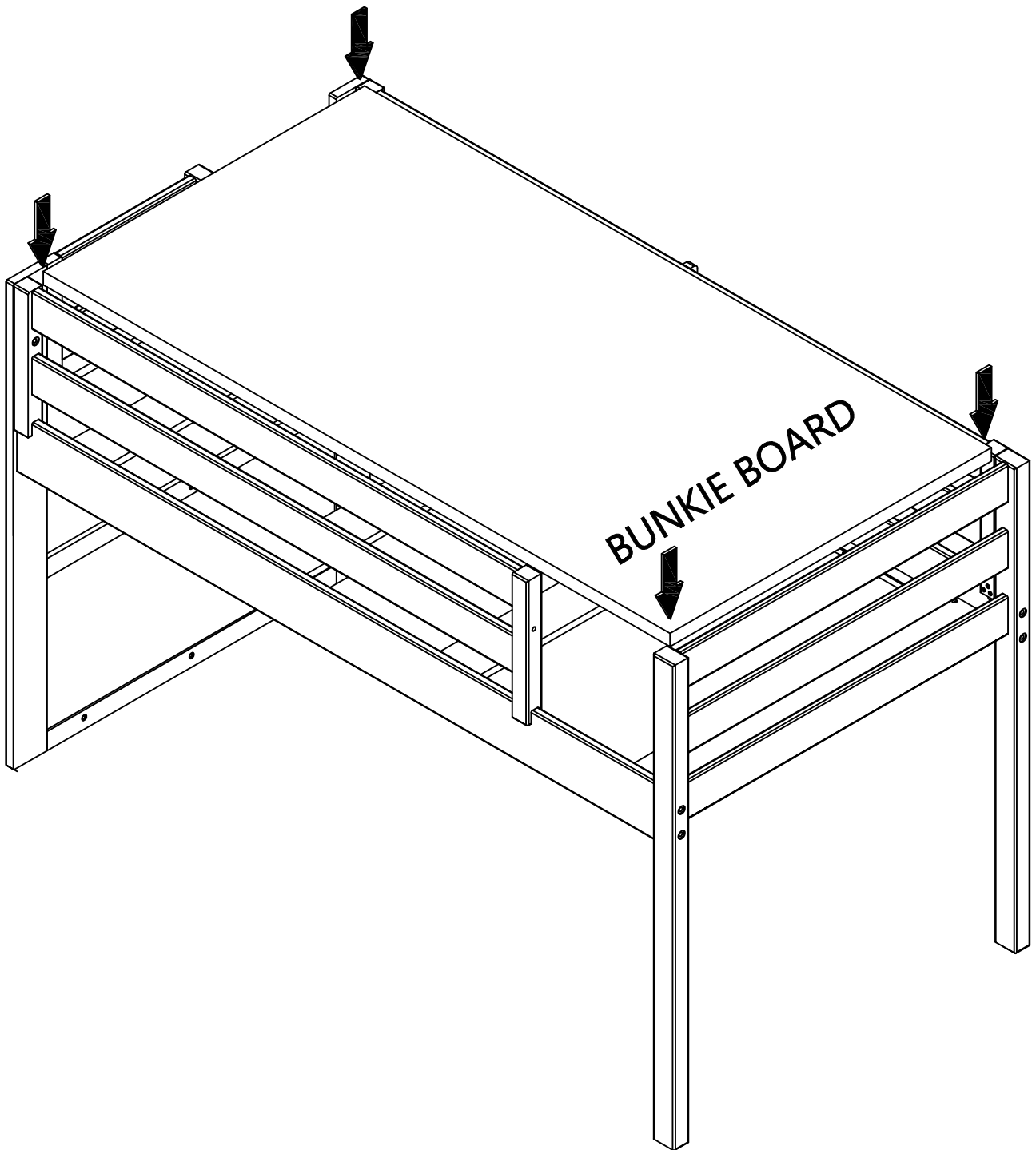
LEFT



8x
⊗ (4*30mm)
⊞



LEFT



Place Bunkie Board (Required, Sold Separately) On Top Of The Slats.

ENGLISH

Size of Mattress and Foundation.

This bed is designed to use a mattress size 74"-75" (188cm-190cm) long and 37½"-38½" (95cm-98cm) wide with twin size; on upper and lower bunk. Ensure thickness of mattress and foundation combined does not exceed 12" (30cm) on upper and lower bunk and mattress is at least 5" (13cm) below upper edge of guard rail.

Intended use of Single Beds and Day Beds is Age Group 3 Years and older (36 months and older). Intended use of raised beds including but not limited to Loft Beds and Bunk Beds is 6 Years and older (72 months and older).

SAFETY WARNINGS

1. Follow the information on the warnings appearing on the upper bunk bed end structure and on the carton. Do not remove warning label from bed.
2. Always use recommended size mattress or mattress support, or both, to help prevent the likelihood of entrapment or falls.
3. Surface of mattress must be at least 5" (13cm) below the upper edge of the guardrails.
4. Do not allow children under 6 years of age to use the upper bunk.
5. Periodically check and ensure that the guardrail, ladder and other components are in their proper position, free from damage and that the connectors are tight.
6. Do not allow horseplay on or under the bed and prohibit jumping on the bed.
7. Prohibit more than one person on the upper bunk.
8. Always use the ladder for entering and leaving the upper bunk.
9. Do not use substitute parts. Contact manufacturer or dealer for replacement parts.
10. Use of a night light may provide added safety precaution for a child using the upper bunk.
11. Always use guardrails on both long sides of upper bunk.
12. If the bunk bed will be placed next to a wall, the guardrail that runs the full length of the bed should be placed against the wall to prevent entrapment between the bed and the wall.
13. The use of water or sleep flotation mattresses is prohibited.
14. Keep these instructions for future reference.

STRANGULATION HAZARD

15. Never attach or hang items to any part of the bunk bed that are not designed for use with the bed, for example but not limited to hooks, belts, and jump ropes.

16. Replacement Parts

Please contact your local Rooms To Go store or visit www.RoomsToGo.com for replacement parts, including additional guard rails, and instructional literature if needed.

FRANÇAIS

Taille du matelas et du support.

Ce lit est conçu pour être utilisé avec un matelas d'une longueur de 74"-75" (188cm-190cm) et d'une largeur de 37½"-38½" (95cm-98cm) avec un lit jumeau pour les lits supérieur et inférieur. Assurez-vous que l'épaisseur combinée du matelas et du support ne dépasse pas 12" (30cm) supérieur et inférieur du lit, et que le matelas soit sous la partie supérieure du rail de sécurité d'au moins 5" (13cm).

Utilisation de Lits Simples et Lits de Repos prévue pour Tranche d'Âge 3 Ans et plus (36 mois et plus) "Utilisation de Lits surélevés comprenant, mais pas exclusivement, des Lits Mezzanine et Lits Superposés prévue pour 6 Ans et plus (72 mois et plus).

AVERTISSEMENTS DE SÉCURITÉ

1. Suivez les avertissements affichés sur la partie supérieure de la structure du lit et sur le carton. Ne retirez pas l'étiquette du lit.
2. Utilisez toujours les tailles recommandées pour le matelas ou le support, ou les deux, pour prévenir les chutes ou le risque de rester coincé.
3. La surface du matelas doit être au moins 5" (13cm) sous la partie supérieure des rails de sécurité.
4. Ne laissez pas des enfants âgés de moins de 6 ans utiliser le lit supérieur.
5. Vérifiez régulièrement et assurez-vous que le rail de sécurité, l'échelle et les autres composants sont en bonne position, sans dommages et que les raccords sont bien serrés.
6. Interdisez tout chahut sur ou sous le lit et interdisez de sauter sur le lit.
7. Interdisez plus d'une personne sur le lit du dessus.
8. Utilisez toujours l'échelle pour accéder au lit supérieur ou pour en descendre.
9. N'utilisez pas de pièces de substitution. Veuillez contacter le fabricant ou le revendeur pour des pièces de remplacement.
10. L'utilisation d'une veilleuse peut offrir une sécurité supplémentaire lorsqu'un enfant utilise le lit supérieur.
11. Utilisez toujours des rails de sécurité des deux côtés longs du lit supérieur.
12. Si le lit superposé est placé à côté d'un mur, le rail de sécurité qui longe tout un côté du lit doit être placé contre le mur pour empêcher d'être coincé entre le lit et le mur.
13. Il est interdit d'utiliser des matelas à eau ou des matelas pneumatiques.
14. Conservez ces instructions pour une référence future.

RISQUE D'ÉTRANGLEMENT

15. N'attachez ou ne pendez jamais d'objets ou toute autre partie du lit superposé qui n'a pas été conçu pour être utilisé avec le lit, par exemple des crochets, des courroies ou des cordes à sauter.

16. Pièces de remplacement

Veillez vous rendre dans un magasin Rooms To Go proche de chez vous ou visiter le site www.RoomsToGo.com si vous avez besoin de pièces de rechange, de garde-corps supplémentaires ou des consignes d'installation.

ESPAÑOL

Tamaño del colchón y la base.

Esta cama está diseñada para utilizar un colchón de tamaño 74"-75" (188cm-190cm) de largo y 37½"-38½" (95cm-98cm) de ancho con tamaño sencillo en litera superior e inferior.

Asegúrese que el espesor del colchón y la base combinados no exceda los 12" (30cm) en la parte superior e inferior de la litera y que el colchón esté al menos 5" (13cm) por debajo del borde superior de la barandilla.

El uso previsto de camas individuales y sofás cama es para edades de 3 años o más (36 meses o más). El uso previsto de camas elevadas, incluidas, entre otras, las camas altas y literas es de 6 años o más (72 meses o más).

ADVERTENCIAS DE SEGURIDAD

1. Siga la información en las advertencias que aparecen en la estructura final superior de la cama de la litera y en la caja de cartón. No retire la etiqueta de advertencia de la cama.
2. Utilice siempre el tamaño del colchón o del soporte del colchón recomendados, o ambos, para ayudar a prevenir el riesgo de atrapamiento o caída.
3. La superficie del colchón debe de ser de al menos 5" (13cm) pulgadas por debajo del borde superior de las barandas.
4. No permita que los niños menores de 6 años de edad utilicen la *litera superior*.
5. Periódicamente verifique y asegúrese que la barandilla, escalera y otros componentes estén en su posición correcta, libre de daños y que los conectores estén apretados.
6. No permita juegos bruscos en o debajo de la cama y prohíba saltar en la cama.
7. Prohíba más de una persona en la litera superior.
8. Siempre use la escalera para entrar y salir de la litera de arriba.
9. No utilice piezas de sustitución. Consulte al fabricante o al distribuidor para pedir piezas de repuesto.
10. El uso de una luz de noche puede proporcionar seguridad adicional para un niño que usa la litera superior.
11. Utilice siempre barandas largas a ambos lados de litera superior.
12. Si la litera se coloca al lado de una pared, la barandilla que recorre toda la longitud de la cama debe de ser colocada contra la pared para evitar el atrapamiento entre la cama y la pared.
13. Está prohibido el uso de colchones de agua o de flotación.
14. Guarde estas instrucciones como referencia futura.

PELIGRO DE ESTRANGULACIÓN

15. Nunca una ni cuelgue objetos a ninguna parte de la litera que no estén diseñados para su uso con la cama, por ejemplo, pero no limitado a ganchos, cinturones y cuerdas para saltar.

16. Piezas de repuesto

Por favor, contacte con su tienda local de Rooms To Go o visite www.RoomsToGo.com para conseguir las piezas de repuesto, incluidas barandillas extras y guías con instrucciones si las necesita.