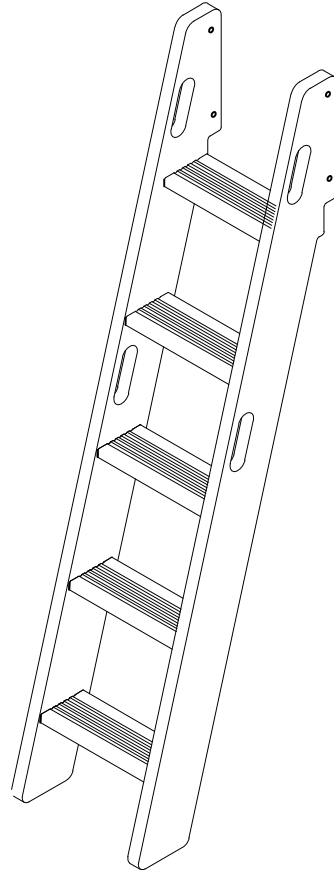


COTTAGE COLORS 2.0

LADDER



BED PACKAGE NO.	SKU#	STYLE	COLOR	ITEM DESCRIPTION
3662230P	35922308	225-LB2EW	WHITE	LOFT BED END (2PC)
	36022301	225-LBSRW	WHITE	LOFT BED RAIL SET W/ SLAT ROLL
	36122303	225-LBLW	WHITE	LADDER

BED PACKAGE NO.	SKU#	STYLE	COLOR	ITEM DESCRIPTION
3662232P	35922322	225-LB2EG	GRAY	LOFT BED END (2PC)
	36022325	225-LBSRG	GRAY	LOFT BED RAIL SET W/ SLAT ROLL
	36122327	225-LBLG	GRAY	LADDER

BED PACKAGE NO.	SKU#	STYLE	COLOR	ITEM DESCRIPTION
3662233P	35922334	225-LB2ENB	NAVY BLUE	LOFT BED END (2PC)
	36022337	225-LBSRNB	NAVY BLUE	LOFT BED RAIL SET W/ SLAT ROLL
	36122339	225-LBLNB	NAVY BLUE	LADDER

BED PACKAGE NO.	SKU#	STYLE	COLOR	ITEM DESCRIPTION
3662231P	35922310	225-LB2EB	BLACK	LOFT BED END (2PC)
	36022313	225-LBSRB	BLACK	LOFT BED RAIL SET W/ SLAT ROLL
	36122315	225-LBLB	BLACK	LADDER


DO NOT USE SUBSTITUTE PARTS. PLEASE CONTACT YOUR RETAIL STORE OR WWW.ROOMSTOGO.COM WITH SERVICE OR PARTS REPLACEMENT REQUEST.

This product is manufactured by (JSFC) for **ROOMS TO GO® | KIDS**



COTTAGE COLORS 2.0

TWIN LOFT BED W/ LADDER

LADDER PART LIST

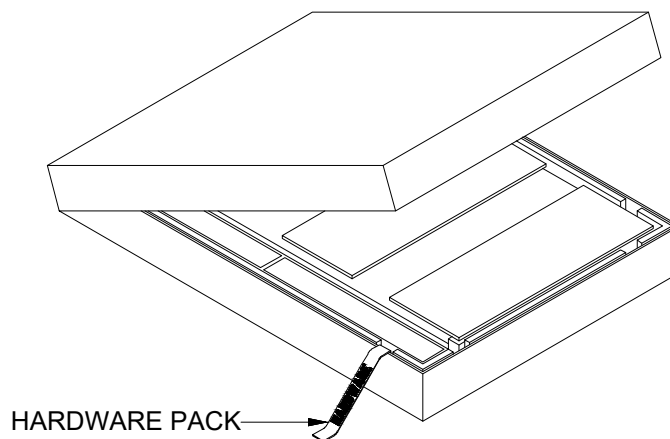
	ITEM DISCRIPTION	IMAGE	QTY
A	LADDER		1 PC

LADDER HARDWARE LIST

	ITEM-DESCRIPTION	IMAGE	QTY
1	BOLT Ø1/4*15*2"		4 PCS
2	ALLEN KEY 4mm		1 PC

HARDWARE PACK LOCATION

SKU#	STYLE	COLOR	ITEM DESCRIPTION
36122303	225-LBLW	WHITE	LADDER
36122327	225-LBLG	GRAY	LADDER
36122339	225-LBLNB	NAVY BLUE	LADDER
36122315	225-LBLB	BLACK	LADDER



DO NOT USE SUBSTITUTE PARTS. PLEASE CONTACT YOUR RETAIL STORE OR WWW.ROOMSTOGO.COM WITH SERVICE OR PARTS REPLACEMENT REQUEST.

This product is manufactured by (JSFC) for **ROOMS TO GO® | KIDS**

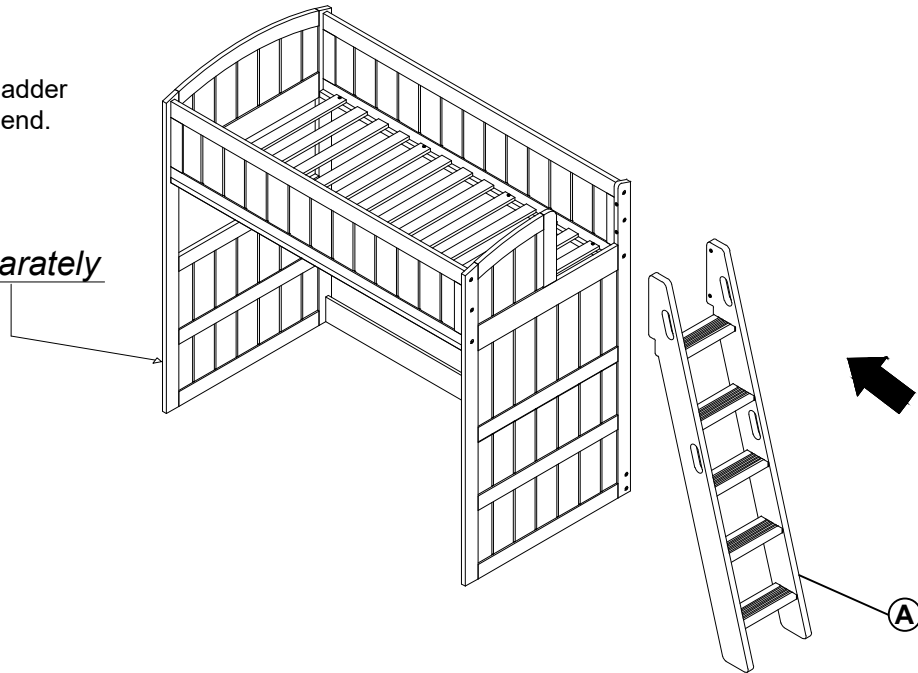
Thank you for purchasing this quality product. Be sure to check all packing material carefully for small parts which may have come loose inside the carton during shipment. Identify and count all parts and compare with the parts list below. Read all instructions before assembling bed and keep these instructions for future reference.

Assembly Instructions:

STEP 1

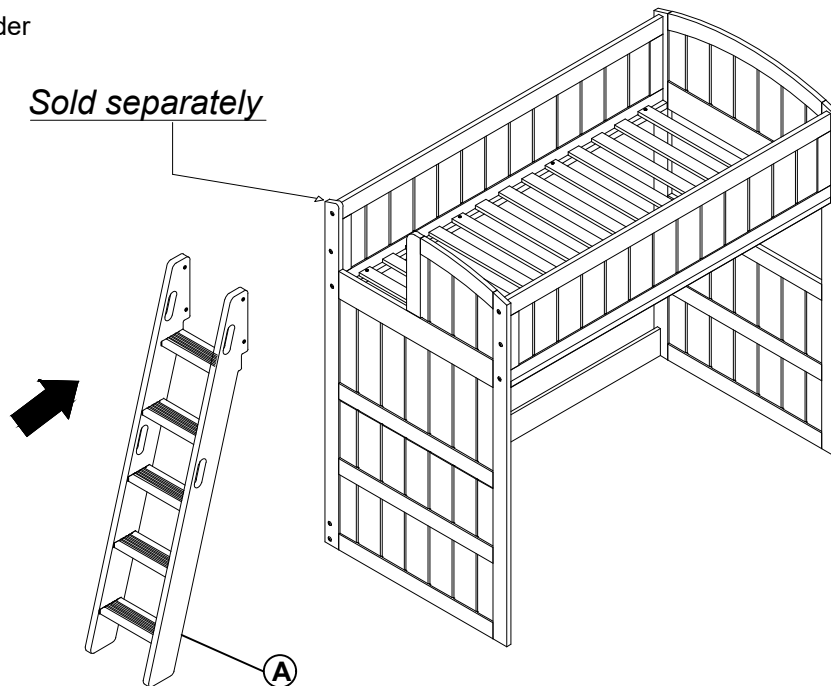
OPTION 1:
Twin loft bed w/ ladder
on the right-side end.

Sold separately



OPTION 2:
Twin loft bed w/ ladder
on the left-side end.

Sold separately



DO NOT USE SUBSTITUTE PARTS. PLEASE CONTACT YOUR RETAIL STORE OR WWW.ROOMSTOGO.COM WITH SERVICE OR PARTS REPLACEMENT REQUEST.

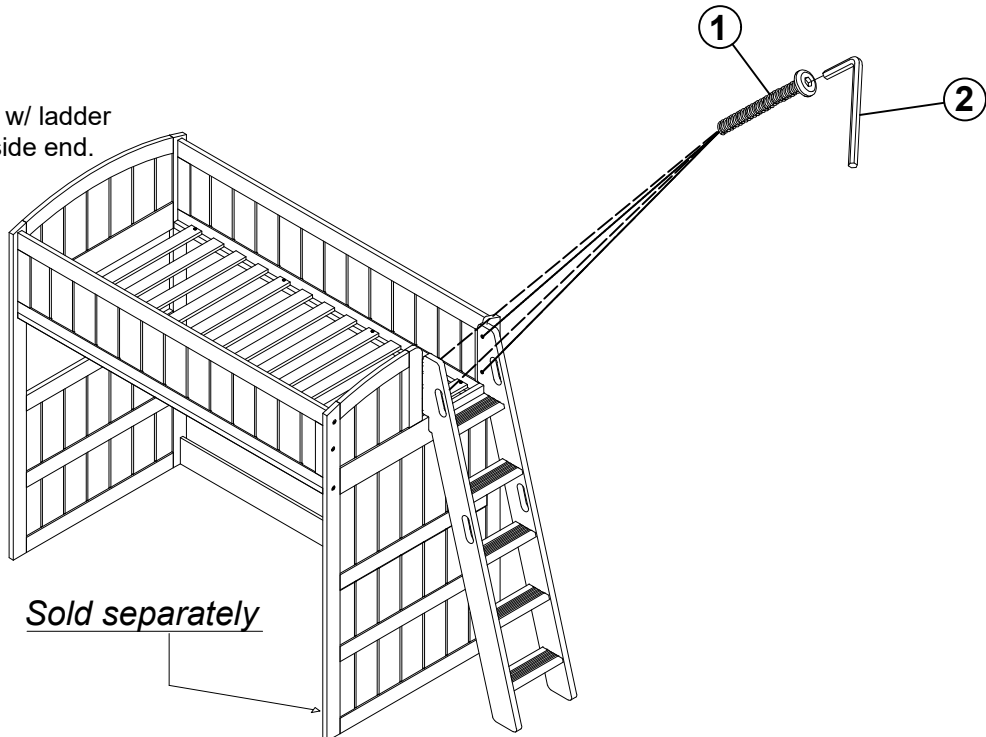
This product is manufactured by (JSFC) for **ROOMS TO GO® | KIDS**

Thank you for purchasing this quality product. Be sure to check all packing material carefully for small parts which may have come loose inside the carton during shipment. Identify and count all parts and compare with the parts list below. Read all instructions before assembling bed and keep these instructions for future reference.

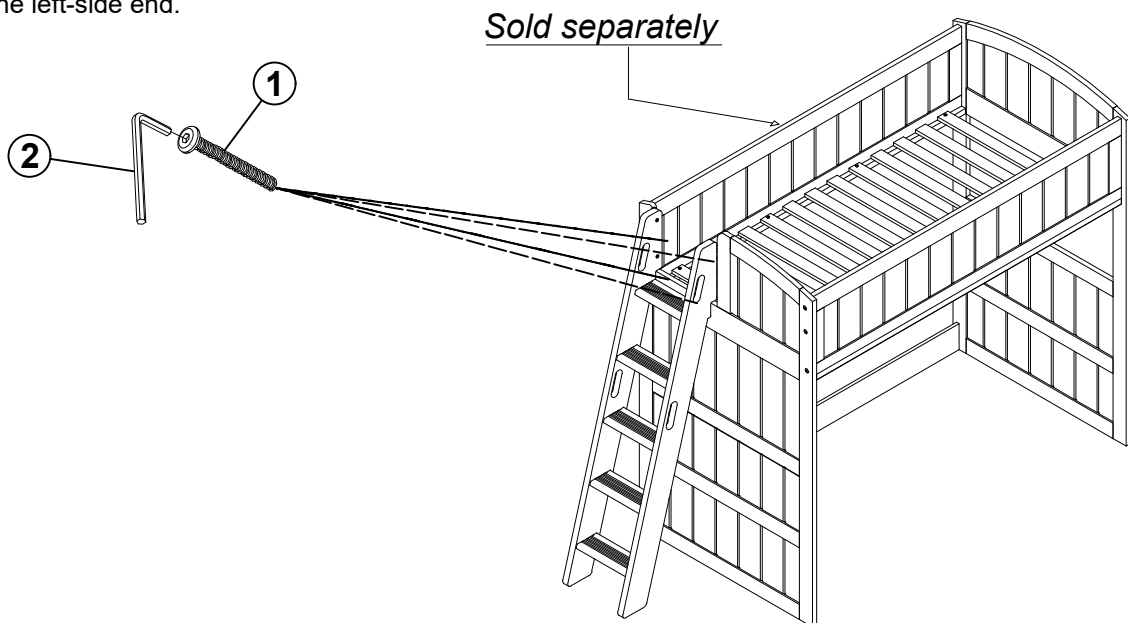
Assembly Instructions:

STEP 2

OPTION 1:
Twin loft bed w/ ladder
on the right-side end.



OPTION 2:
Twin loft bed w/ ladder
on the left-side end.



DO NOT USE SUBSTITUTE PARTS. PLEASE CONTACT YOUR RETAIL STORE OR WWW.ROOMSTOGO.COM WITH SERVICE OR PARTS REPLACEMENT REQUEST.

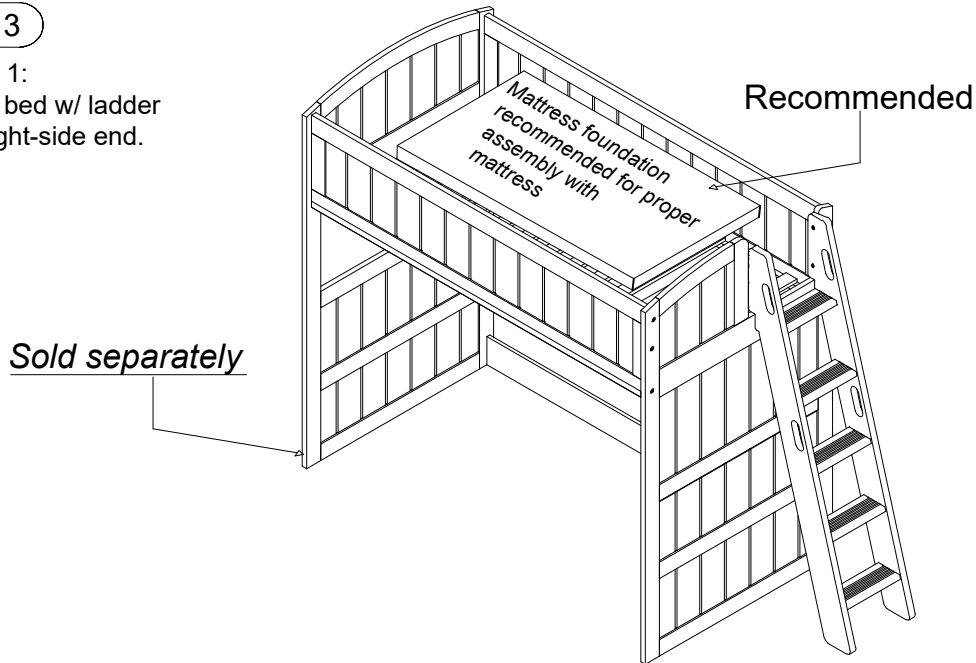
This product is manufactured by (JSFC) for **ROOMS TO GO® | KIDS**

Thank you for purchasing this quality product. Be sure to check all packing material carefully for small parts which may have come loose inside the carton during shipment. Identify and count all parts and compare with the parts list below. Read all instructions before assembling bed and keep these instructions for future reference.

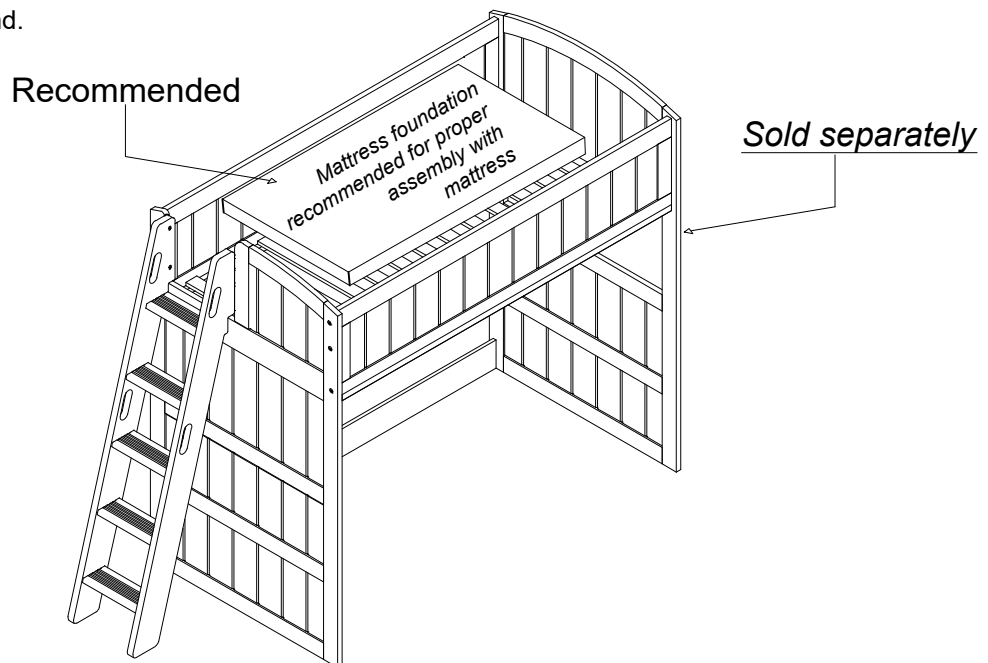
Assembly Instructions:

STEP 3

OPTION 1:
Twin loft bed w/ ladder
on the right-side end.



OPTION 2:
Twin loft bed w/ ladder
on the left-side end.



A mattress foundation is recommended for proper assembly with mattress. Place the mattress foundation (not provided) on top.

DO NOT USE SUBSTITUTE PARTS. PLEASE CONTACT YOUR RETAIL STORE OR WWW.ROOMSTOGO.COM WITH SERVICE OR PARTS REPLACEMENT REQUEST.

This product is manufactured by (JSFC) for **ROOMS TO GO® | KIDS**