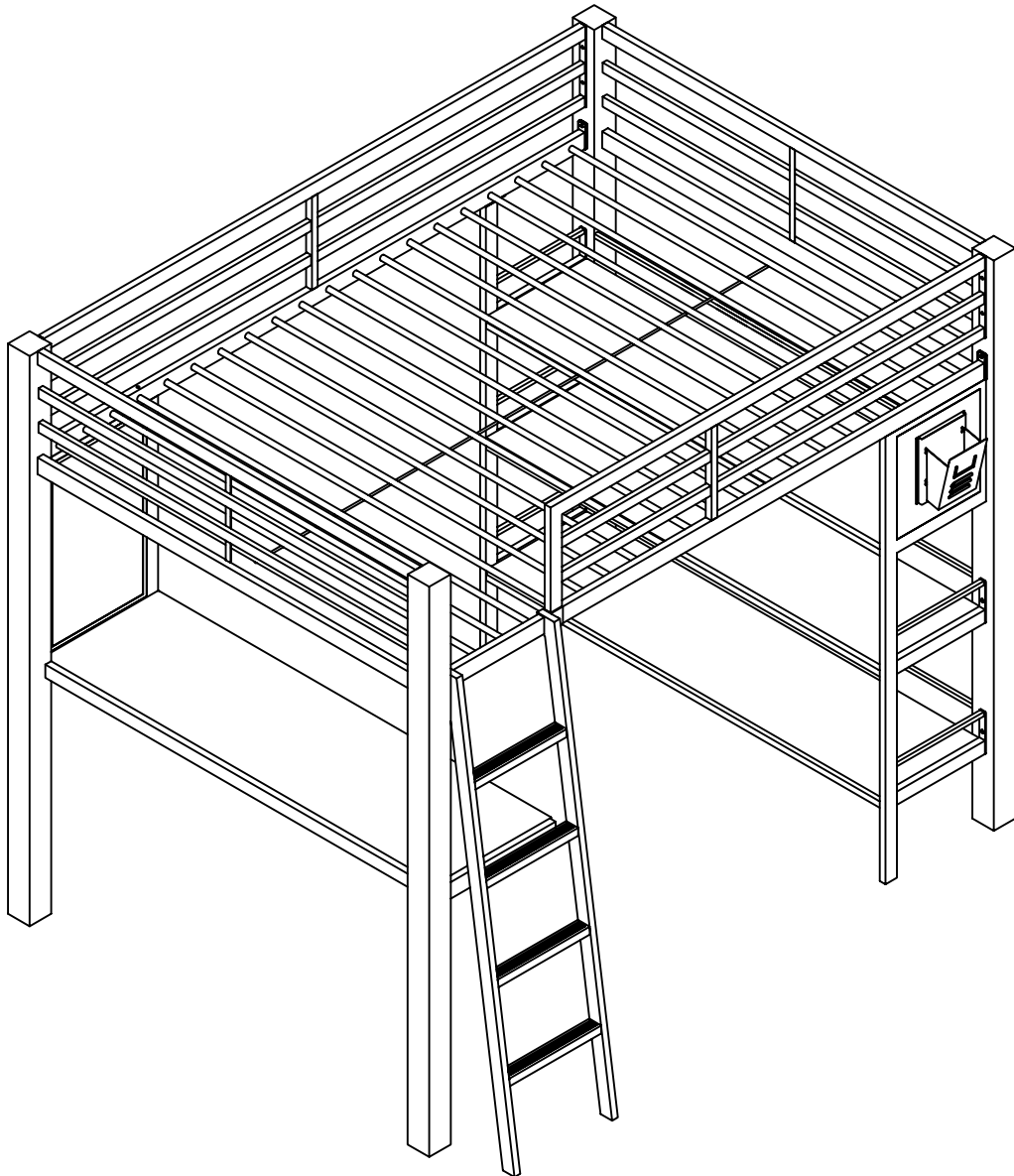


# ASSEMBLY INSTRUCTIONS

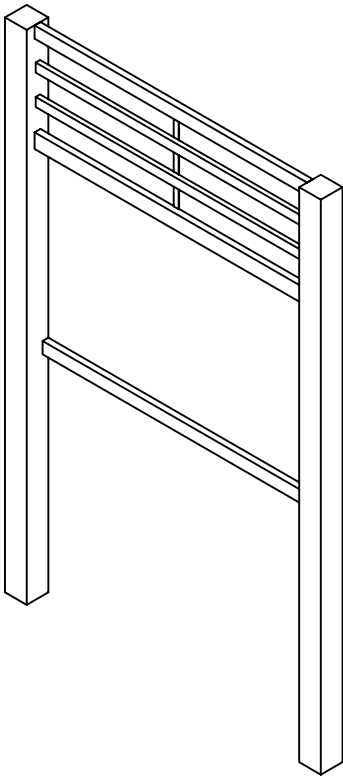


WRLW BTS1184-1/BTS1184-2  
WRLW BTS1184DG1/BTS1184DG2  
WRLW BTS1184WH1/BTS1184WH2  
BASE FRAME/LOFT BED ENDS  
SKU#36511637/36611639/36627048/36527046/  
36627050/36527058

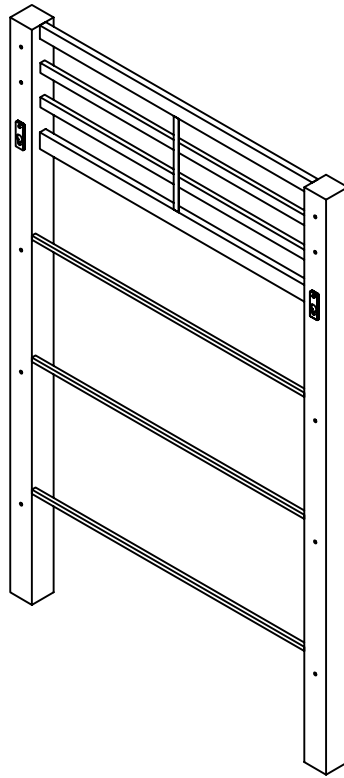
Thank you for purchasing this quality product. Be sure to check all packing material carefully for small parts, which may have come loose inside the carton during shipment. Identify and count all parts and compare with the Hardware List below.



# PARTS IDENTIFICATION



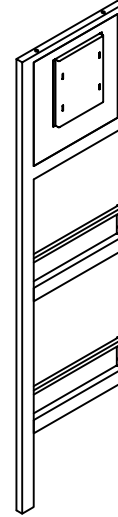
(LEFT)  
(1)x1pc



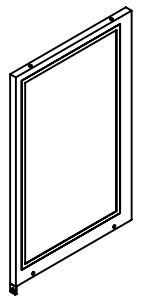
(RIGHT)  
(2)x1pc



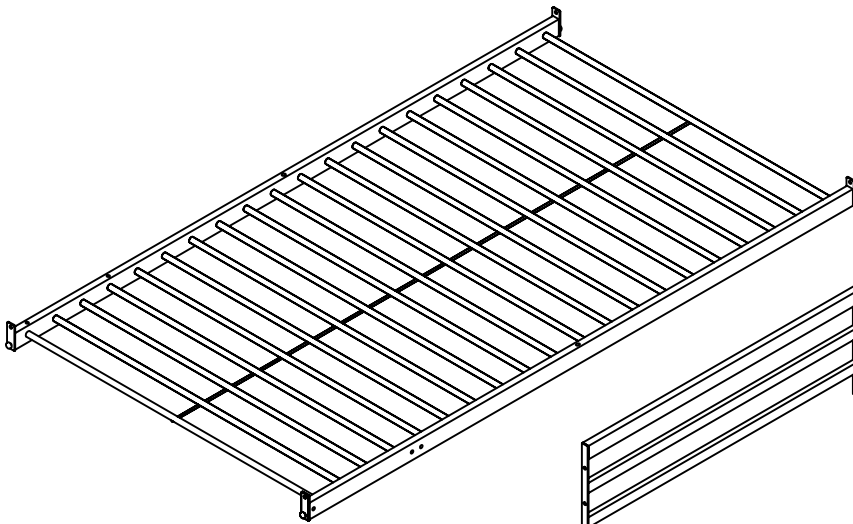
(BACK)  
(3)x1pc



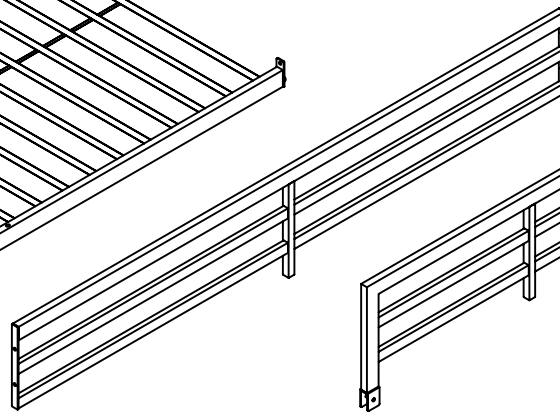
(FRONT)  
(4)x1pc



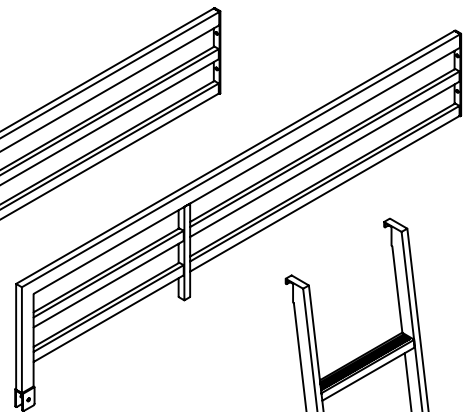
(5)x1pc



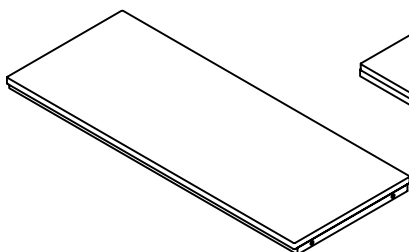
(6)x1pc



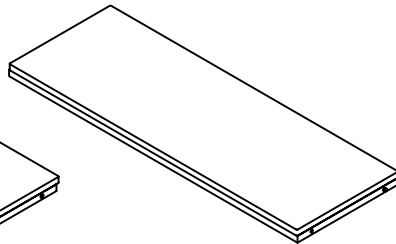
(7)x1pc



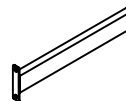
(8)x1pc



(9)x1pc



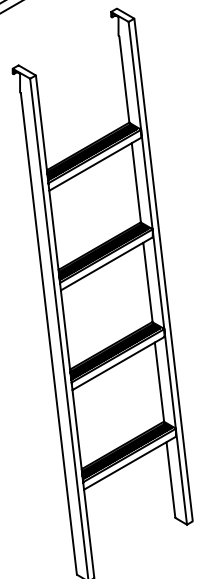
(10)x3pcs



(11)x1pc

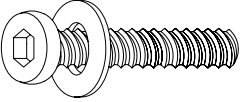
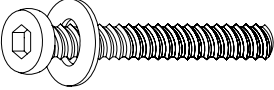
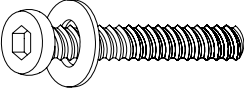
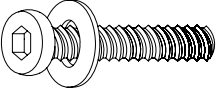
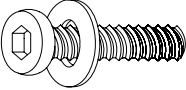
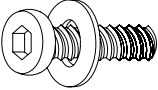

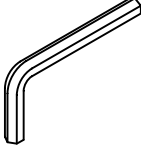
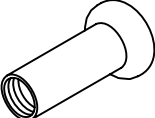


(12)x1pc



(13)x1pc

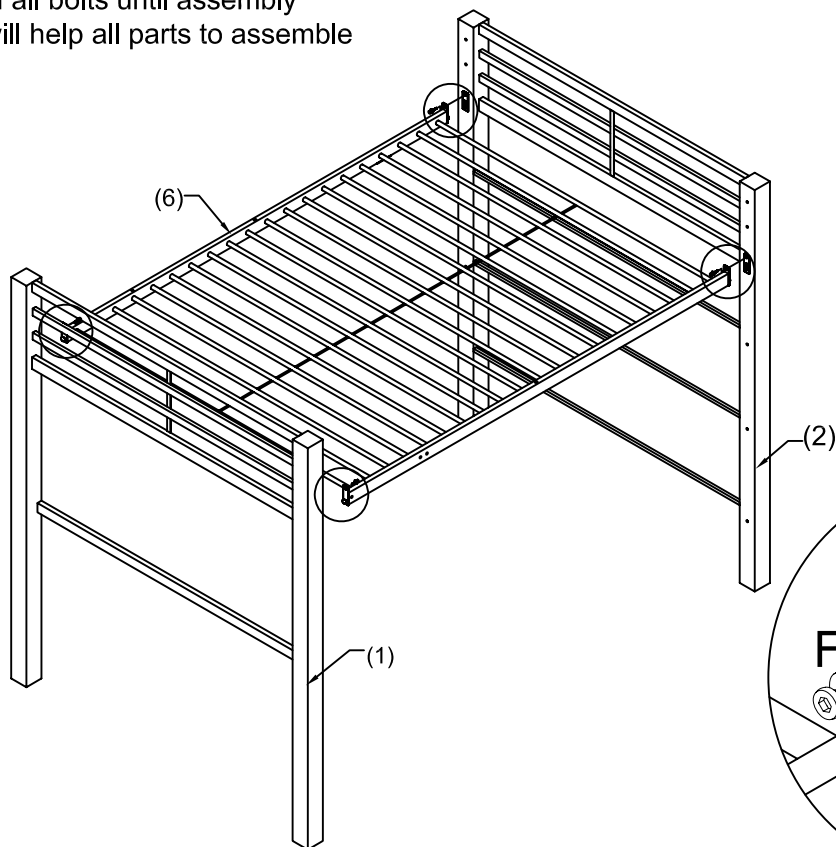
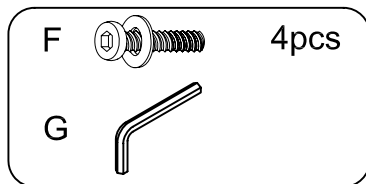
# HARDWARE LIST

A		5/16"x18x1 $\frac{1}{4}$ "	2PCS
B		1/4"x20x2 $\frac{3}{4}$ "	2PCS
C		1/4"x20x2 $\frac{1}{2}$ "	2PCS
D		1/4"x20x1 $\frac{1}{4}$ "	3PCS
E		1/4"x20x1"	10PCS
F		1/4"x20x5/8"	20PCS
G		4x4mm	2PCS
H		5x5mm	1PC
J		1/4"x22mm	1PC

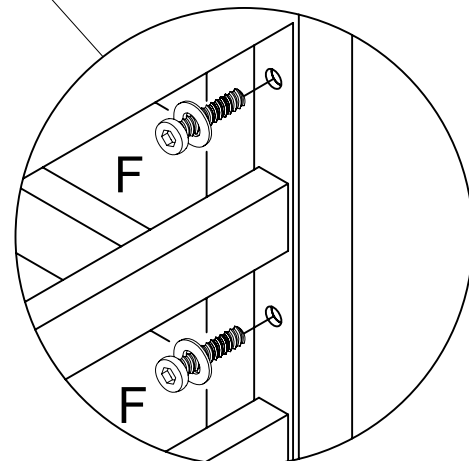
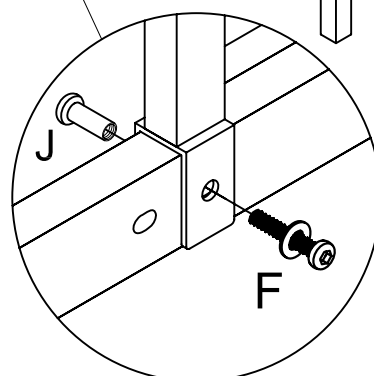
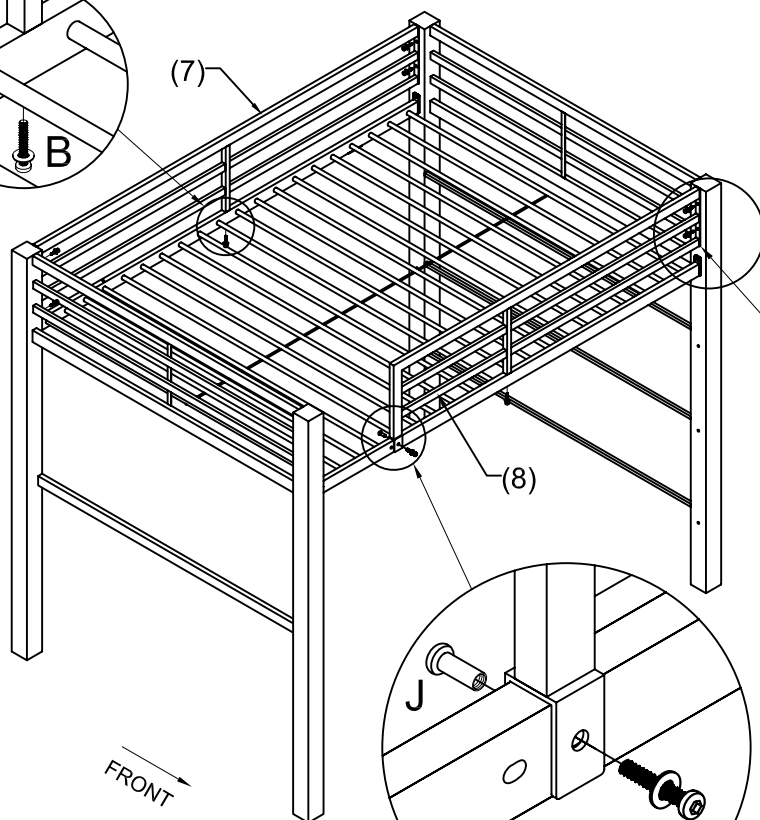
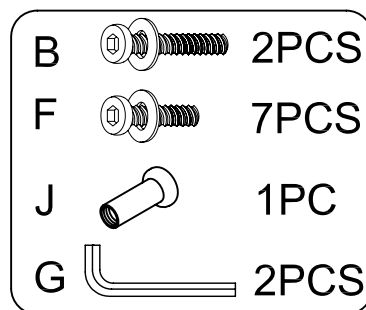
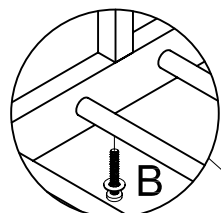
# STEP1:

## ASSEMBLY

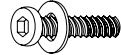

Do not fully tighten all bolts until assembly is complete. This will help all parts to assemble properly.

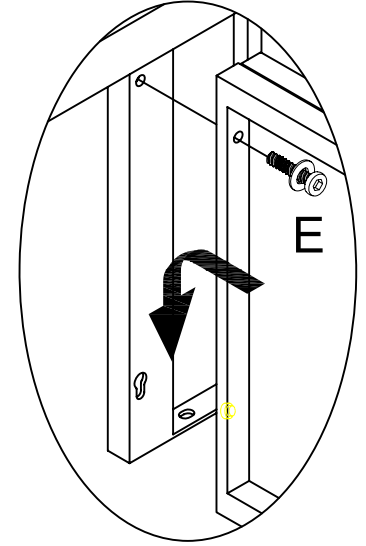
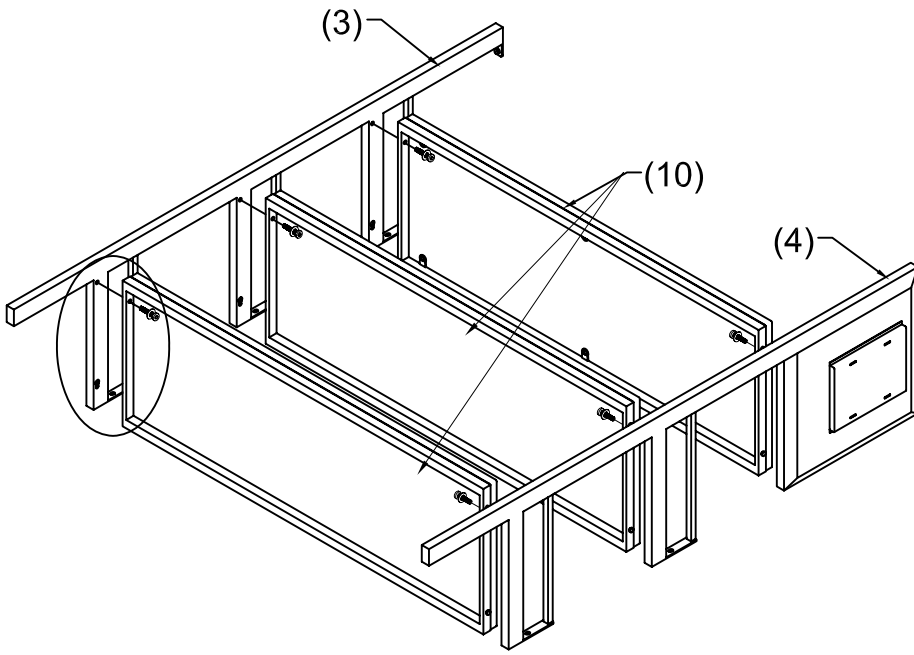


# STEP2:



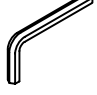


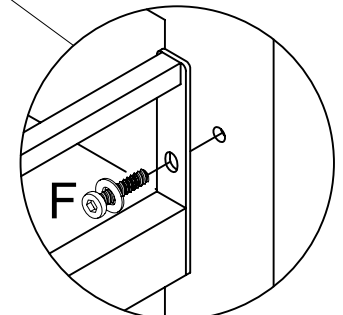
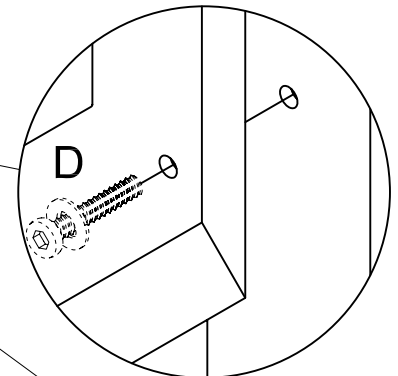
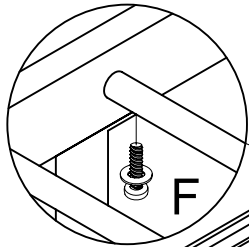
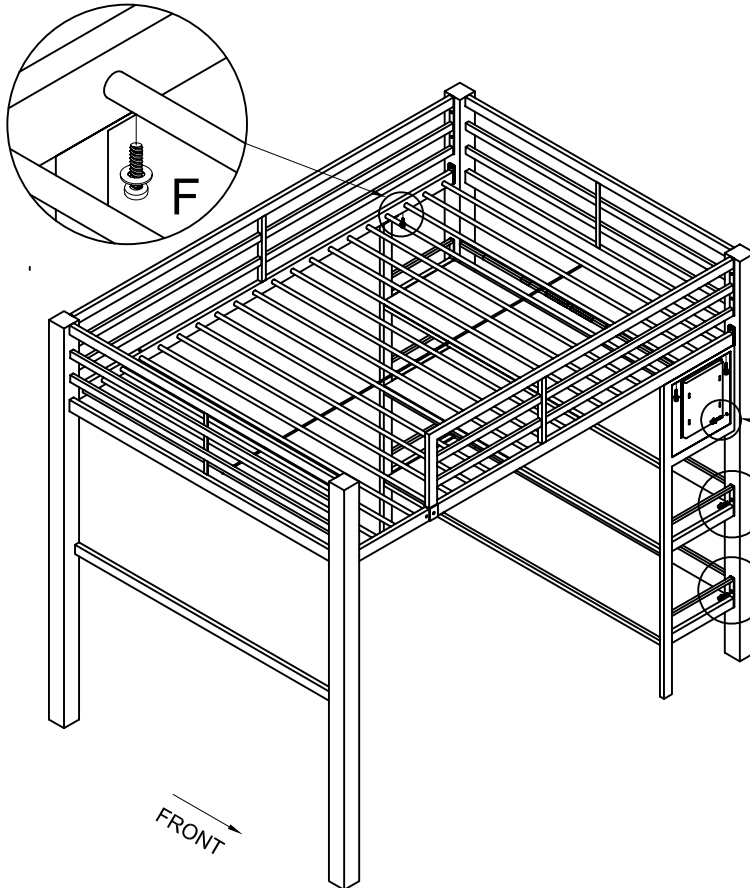
STEP3:

- E  6pcs
- G 





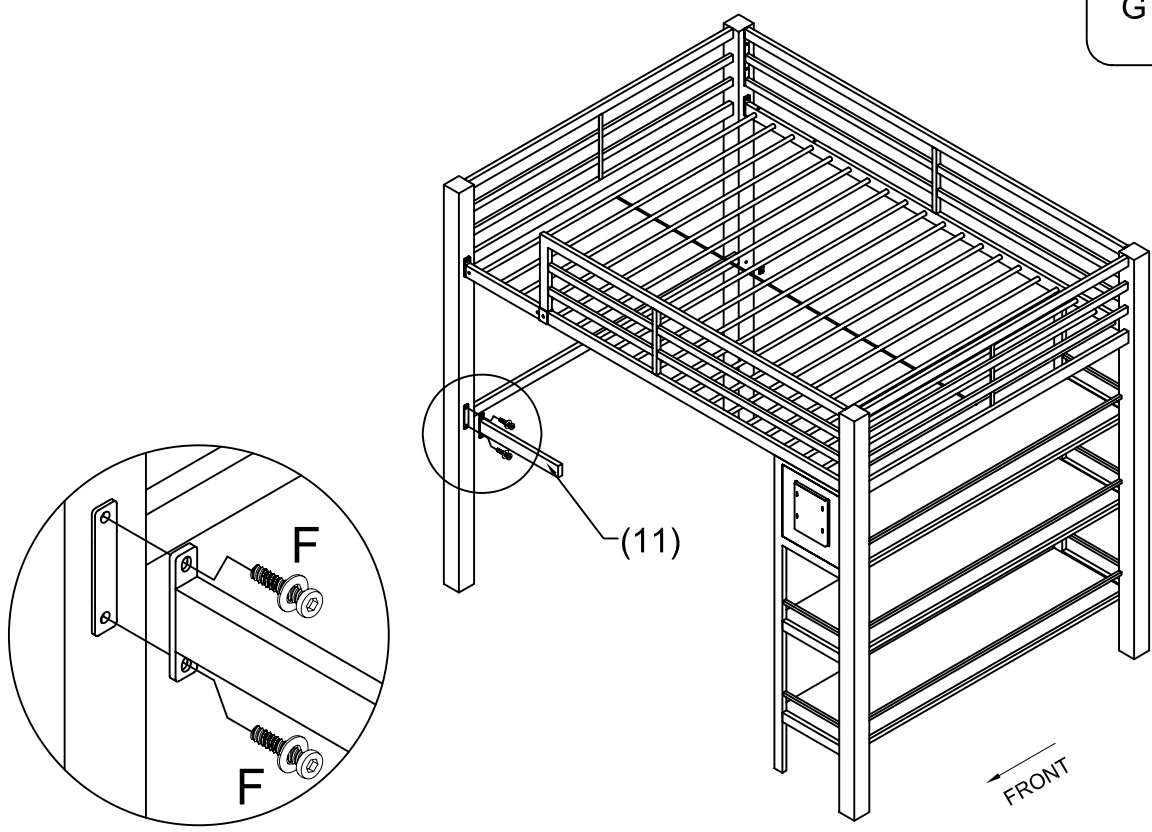
STEP4:

- D  3pcs
- F  6pcs
- G 






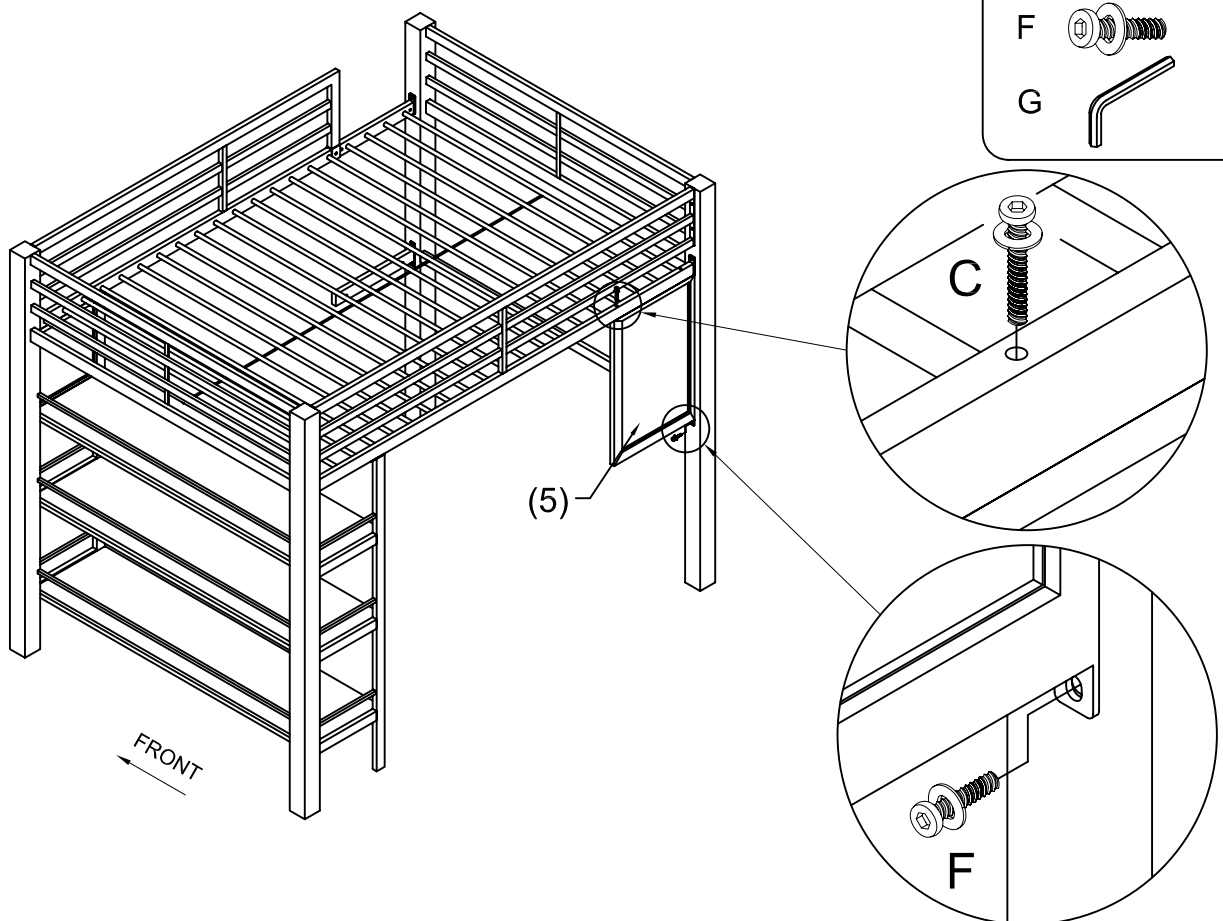
STEP5:

- F  2pcs
- G 

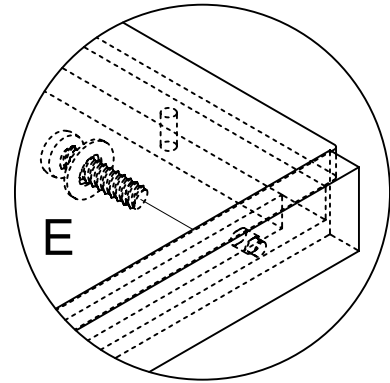
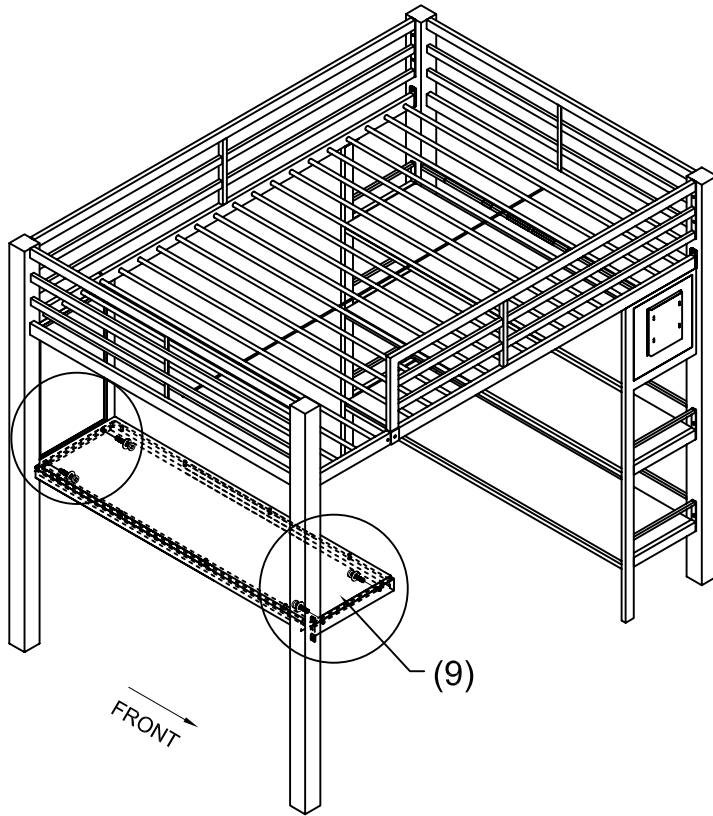
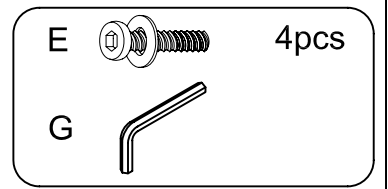


STEP6:

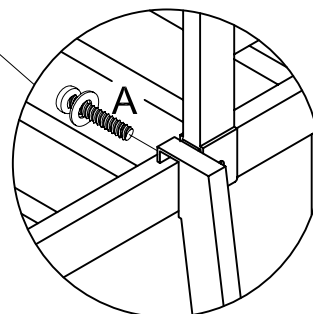
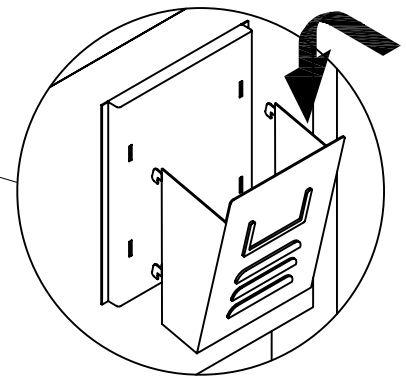
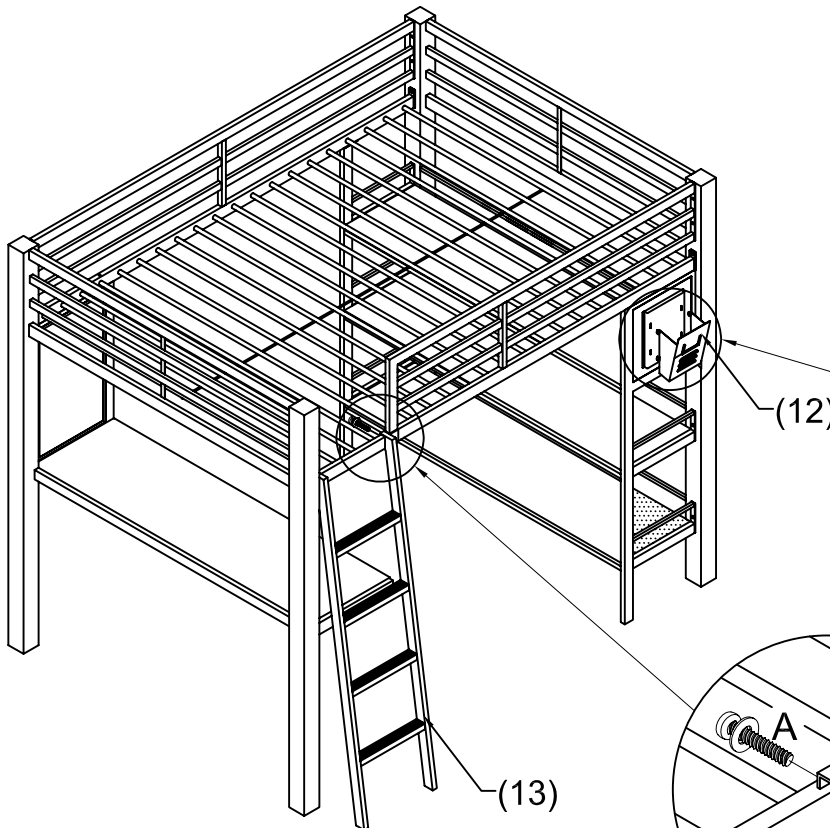
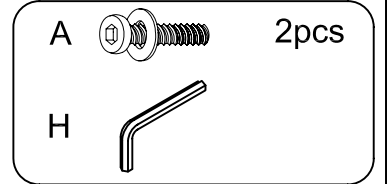
- C  2pcs
- F  1pc
- G 



STEP7:



STEP8:



## Safety Warnings

1. Follow the information on the warnings appearing on the upper bunk end structure and on the carton . Do not remove warning label from bed.
2. Always use the recommended size mattress or mattress support, or both, to help prevent the likelihood of entrapment or falls.
3. Surface of mattress must be at least 5in(127mm).below the upper edge of guardrails .
4. Do not allow children under 6 years of age to use the upper bunk.
5. Periodically check and ensure that the guardrail, ladder ,and other components are in their proper position ,free from damage ,and that all connectors are tight .
6. Do not allow horseplay on or under the bed and prohibit jumping on the bed.
7. Always use the ladder for entering and leaving the upper bunk.
8. Do not use substitute parts ,Contact manufacturer or dealer for replacement parts.
9. Use of a night light may provide added safety precaution for a child using the upper bunk.
10. Always use guardrails on both long sides of the upper bunk.  
If the bunk bed will be placed next to the wall, the guardrail that runs the full length of the bed should be placed against the wall to prevent entrapment between the bed and the wall.
11. The use of water or sleep flotation mattresses is prohibited .
12. Keep these instructions for future reference.
13. Use only mattress which is (74"-75")X(53- $\frac{1}{2}$ "-54- $\frac{1}{2}$ ")X6" on upper bunk .
14. Prohibit more than one person on upper bunk.
15. Maximum total weight is not to exceed 400 lbs.on the upper bunk.

### STRANGULATION HAZARD:

Never attach or hang items to any part of the bunk bed that are not designed for use with the bed,for example, but not limited to, hooks, belts, and jumprobes.