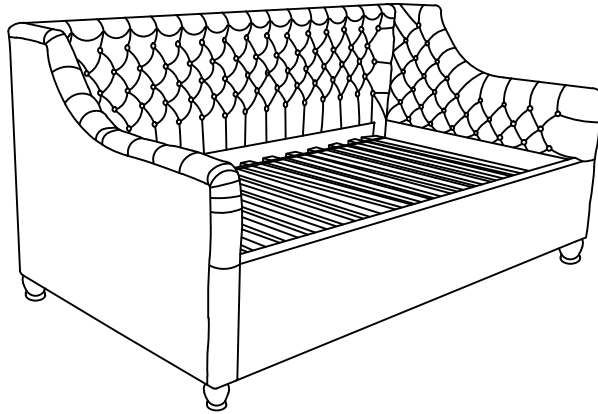


ALENA

TWIN/FULL DAYBED



3544110P - TWIN DAY BED - CHAMPAGNE		
SKU #	ITEM#	ITEM DESCRIPTION
35041108	87CP-27HF	TWIN DAYBED R & L SIDE PANELS/SLATS
35241102	87CP-29R	DAYBED BACK/WIDE FRONT RAIL

3564110P - FULL DAY BED - CHAMPAGNE		
SKU #	ITEM#	ITEM DESCRIPTION
35241102	87CP-29R	DAYBED BACK/WIDE FRONT RAIL
35141100	87CP-28HF	FULL DAYBED R & L SIDE PANELS/SLATS

3504110P - TWIN DAY BED - PINK		
SKU #	ITEM#	ITEM DESCRIPTION
35541108	86PK-27HF	TWIN DAYBED R & L SIDE PANELS/SLATS
35741102	86PK-29R	DAYBED BACK/WIDE FRONT RAIL

3524110P - FULL DAY BED - PINK		
SKU #	ITEM#	ITEM DESCRIPTION
35741102	86PK-29R	DAYBED BACK/WIDE FRONT RAIL
35641100	86PK-28HF	FULL DAYBED R & L SIDE PANELS/SLATS

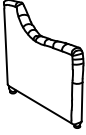
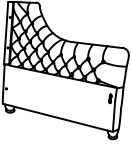

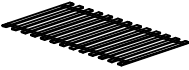
3604110P - TWIN DAY BED - SILVER		
SKU #	ITEM#	ITEM DESCRIPTION
36041109	89SI-27HF	TWIN DAYBED R & L SIDE PANELS/SLATS
36241103	89SI-29R	DAYBED BACK/WIDE FRONT RAIL

3624110P - FULL DAY BED - SILVER		
SKU #	ITEM#	ITEM DESCRIPTION
36241103	89SI-29R	DAYBED BACK/WIDE FRONT RAIL
36141101	89SI-28HF	FULL DAYBED R & L SIDE PANELS/SLATS

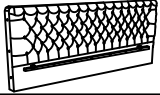

3644110P - TWIN DAY BED - CHARCOAL		
SKU #	ITEM#	ITEM DESCRIPTION
36541109	88CC-27HF	TWIN DAYBED R & L SIDE PANELS/SLATS
36741103	88CC-29R	DAYBED BACK/WIDE FRONT RAIL

3664110P - FULL DAY BED - CHARCOAL		
SKU #	ITEM#	ITEM DESCRIPTION
36741103	88CC-29R	DAYBED BACK/WIDE FRONT RAIL
36641101	88CC-28HF	FULL DAYBED R & L SIDE PANELS/SLATS

TWIN/FULL DAYBED R & L SIDE PANELS/SLATS PARTS LIST

Code	Description	Parts	QTY
A	L Side Panel		1pc
B	R Side Panel		1pc
D	LEGS		4pc
F	straight Slats		13pcs

DAYBED BACK/WIDE FRONT RAIL PARTS LIST






C	Back Panel		1pc
E	Front Bed Rail		1pc

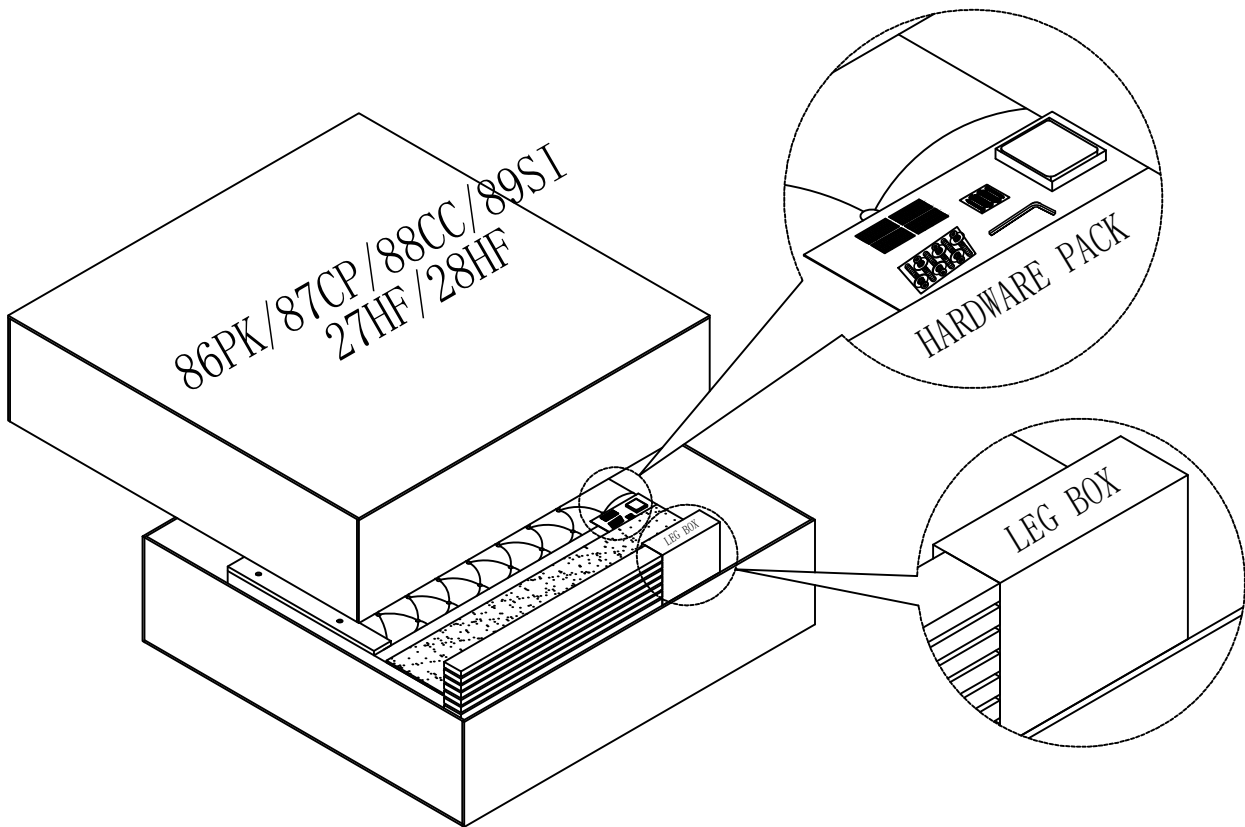
This product is manufactured by HOUS for **ROOMS TO GO | KIDS**

DO NOT USE SUBSTITUTE PARTS. PLEASE CONTACT YOUR RETAIL STORE OR www.roomstogo.com WITH SERVICE OR PARTS REPLACEMENT REQUEST

ALENA

TWIN/FULL DAYBED

TWIN/FULL DAYBED R & L SIDE PANELS/SLATS HARDWARE LIST			QTY
1	Bolt ϕ 5/16" * 43 * 2-1/2" Spring Washer ϕ 5/16" Flat Washer ϕ 5/16" * 22mm		6Pcs
2	Screw #8 * 1-3/8"		6Pcs
3	Allen Key 65 * 25 * 5mm		1Pc
4	Phillips Screwdriver (Not Provided)	 	



Hardware Pack Location(s) :

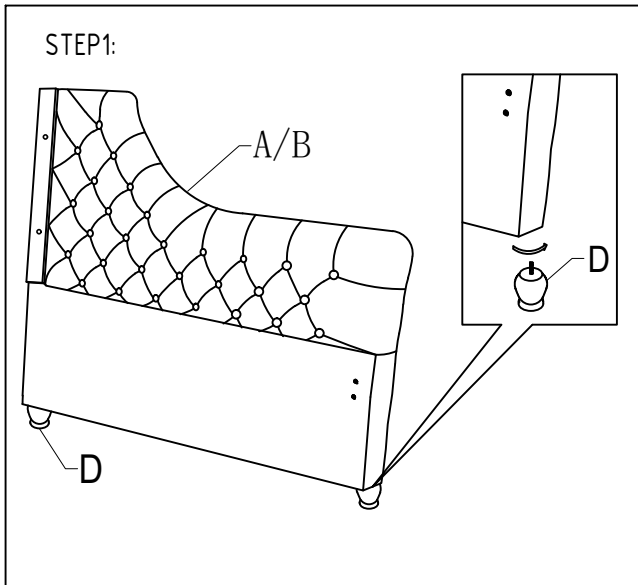
TWIN&FULL	L Side Panel & R Side Panel & slats	87CP-27HF/28HF	SKU# 35041108/ 35141100
TWIN&FULL	L Side Panel & R Side Panel & slats	86PK-27HF/28HF	SKU# 35541108/ 35641100
TWIN&FULL	L Side Panel & R Side Panel & slats	89SI-27HF/28HF	SKU# 36041109/ 36141101
TWIN&FULL	L Side Panel & R Side Panel & slats	88CC-27HF/28HF	SKU# 36541109/ 36641101

This product is manufactured by HOUS for **ROOMS TO GO | KIDS®**

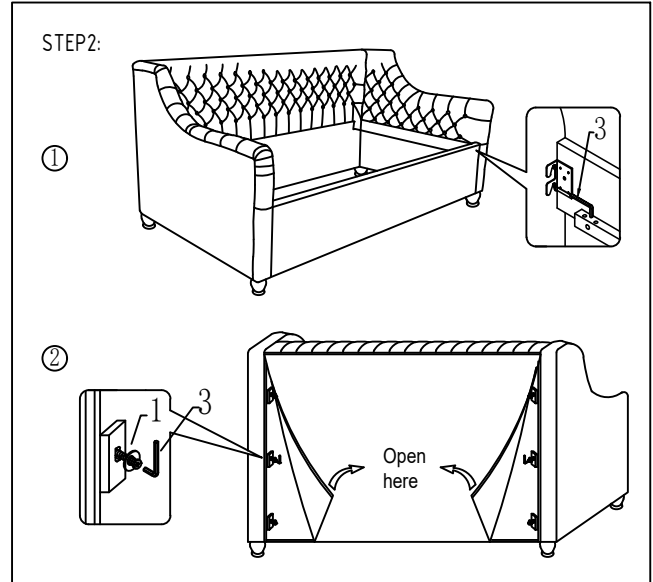
DO NOT USE SUBSTITUTE PARTS. PLEASE CONTACT YOUR RETAIL STORE OR www.roomstogo.com
WITH SERVICE OR PARTS REPLACEMENT REQUEST

ASSEMBLY INSTRUCTION

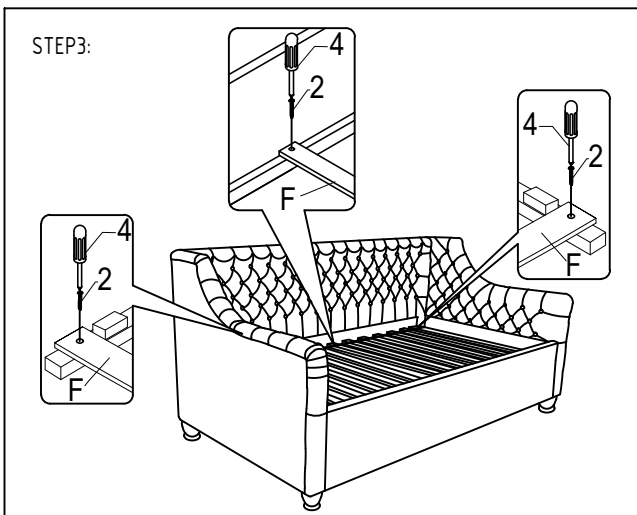
***Caution: Please read all instructions carefully before starting the assembly process. These parts are cumbersome and heavy. Therefore, two people are recommended in order to prevent personal injury and ensure the parts are not damaged during the assembly.



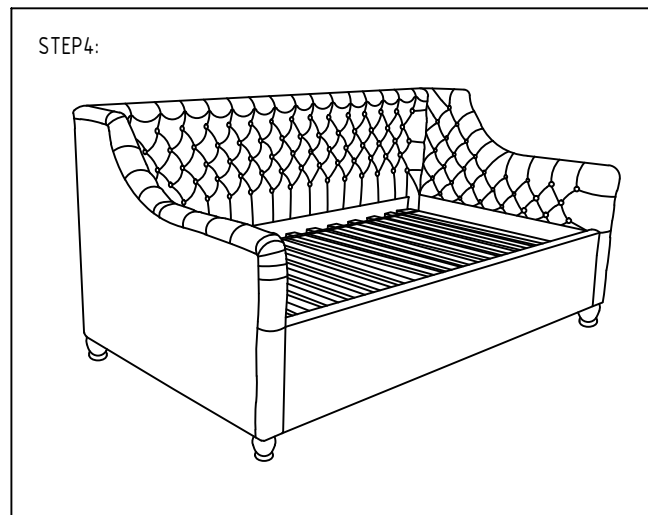
Attach the LEGS(D) on L side panel(A) and R side panel(B)



- ① Loosen bolts on L side panel(A) and R side panel(B), place front bed rails into position(E), Tighten bolts on L side panel & R side panel with Allen Key (3).
- ② Open the velcro on back panel form the bottom corner, place back bed rails(C) into position, tighten bolts(1) into L side panel and R side panel with Allen Key(3).



Place Straight slats on the support rails as STEP3 shows. Then secure slats by screw at spot F as STEP3 shows.



This product is manufactured by HOUS for **ROOMS TO GO | KIDS**

DO NOT USE SUBSTITUTE PARTS. PLEASE CONTACT YOUR RETAIL STORE OR www.roomstogo.com WITH SERVICE OR PARTS REPLACEMENT REQUEST