

**CANYON FURNITURE COMPANY.
STEP BUNK BED ASSEMBLY INSTRUCTIONS (90-160)**

LIST OF CONTENTS

UPPER BED END BOX (90-705) FIG.1

- A.- (1) UPPER BED END
- B.- (2) METAL DOWEL PINS

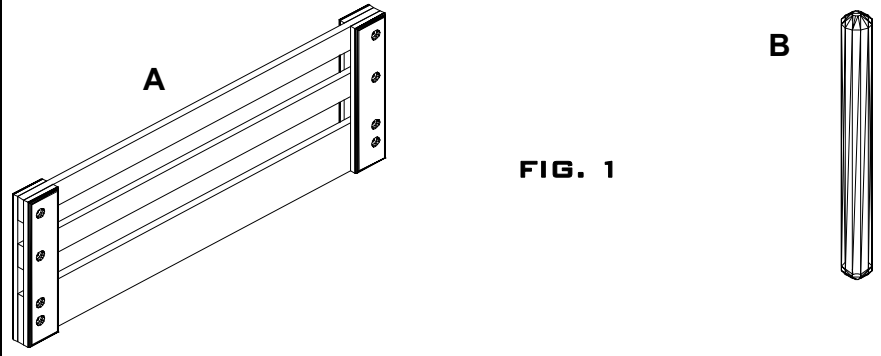


FIG. 1

3 DRAWER STUDENT LOFT DESK BOX (90-710) FIG.2

- C.- (1) 3 DRAWER STUDENT LOFT DESK

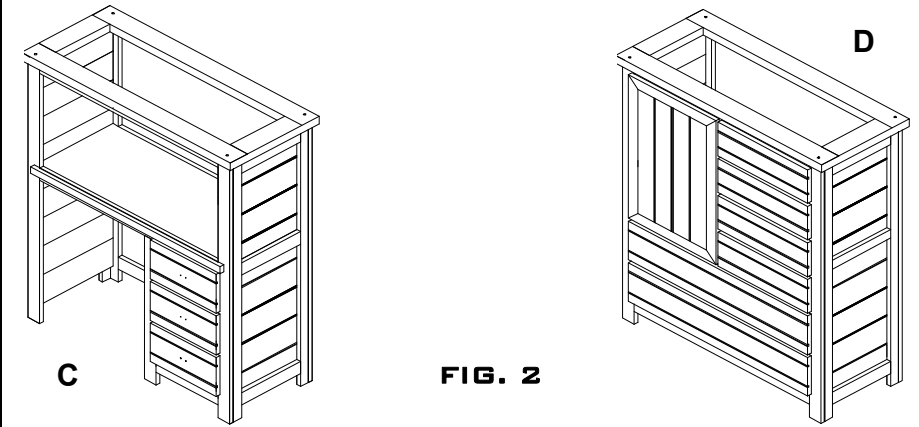


FIG. 2

OR 5 DRAWER STUDENT LOFT CHEST BOX (90-711)

- D.- (1) 5 DRAWER STUDENT LOFT CHEST

STEP BUNK BED HEADBOARD BOX (90-160) FIG.3

- E.- (1) STEP BUNK BED HEADBOARD

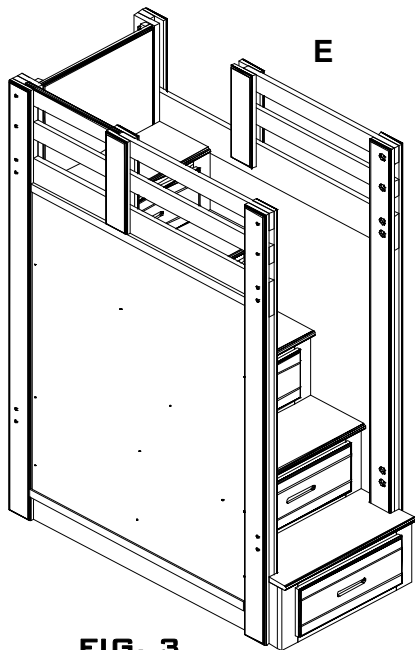


FIG. 3

6 PCS SIDE RAILS BOX (90-730) FIG.4

- F.- (4) SIDE RAILS
- G.- (2) GUARD RAILS
- H.- (7) 38 7/8" SLATS
- I.- (24) 4" HEX BOLTS
- J.- (24) 5/8" CROSS DOWEL NUTS
- K.- (24) FLAT WASHERS
- L.- (1) 4MM HEX KEY
- M.- (14) 1 1/4" SCREWS

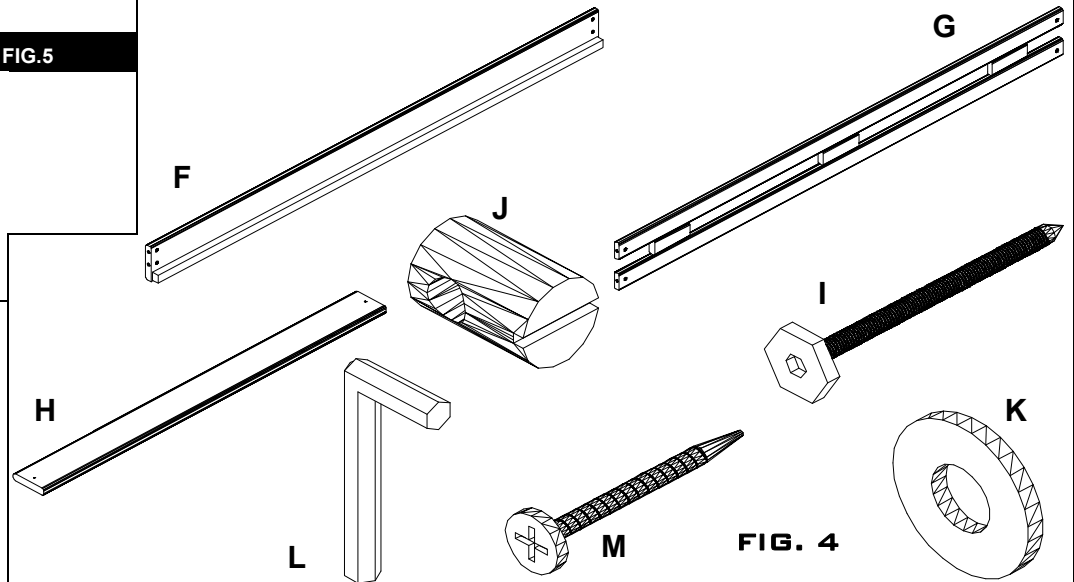


FIG. 4

CASTER BED BOX (90-709,90-707) FIG.5

- N.- (1) HEADBOARD
- O.- (1) FOOTBOARD
- P.- (3) 53 7/8" SLATS
- M.- (6) 1 1/4" SCREWS
- Q.- (4) CASTERS
- R.- (4) CASTERS SOCKETS

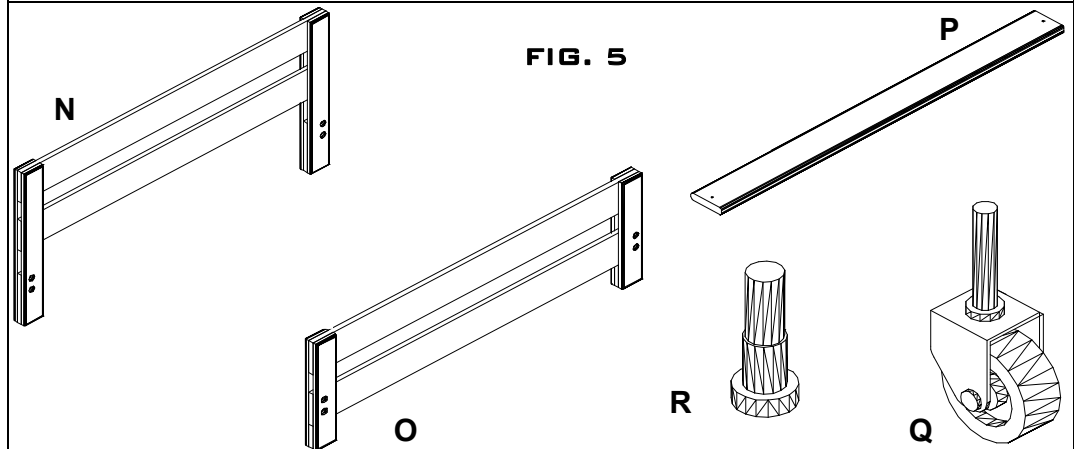
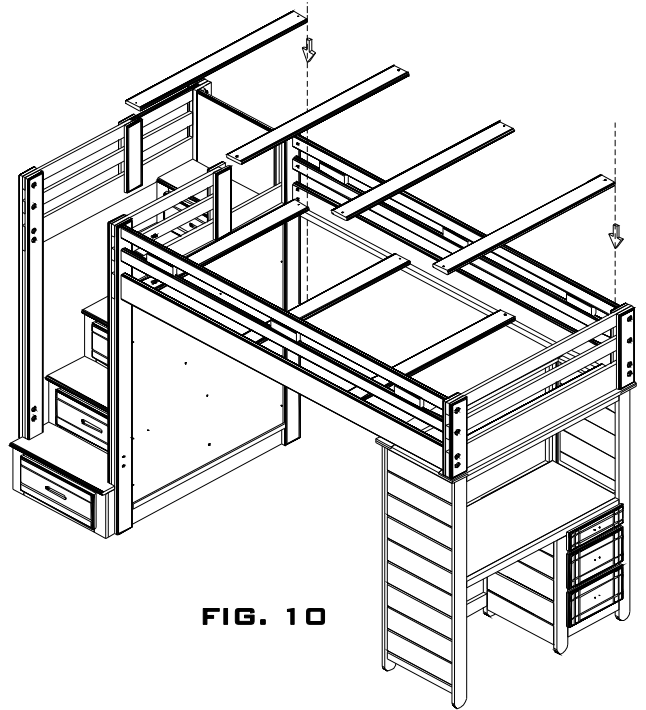
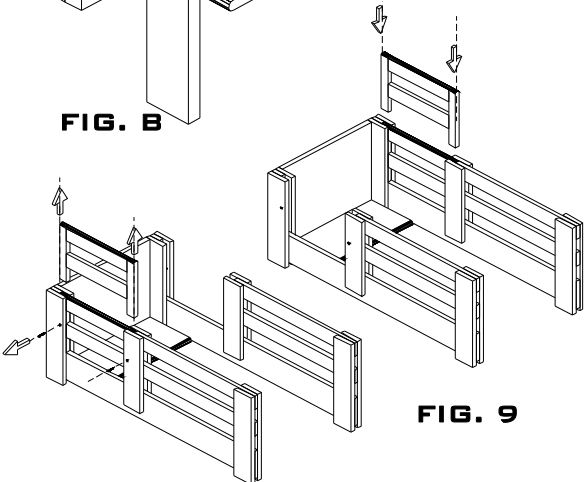
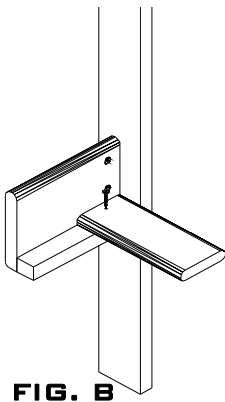
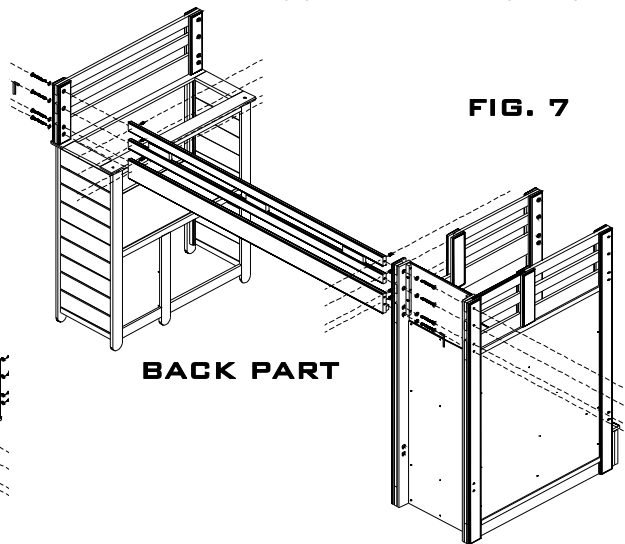
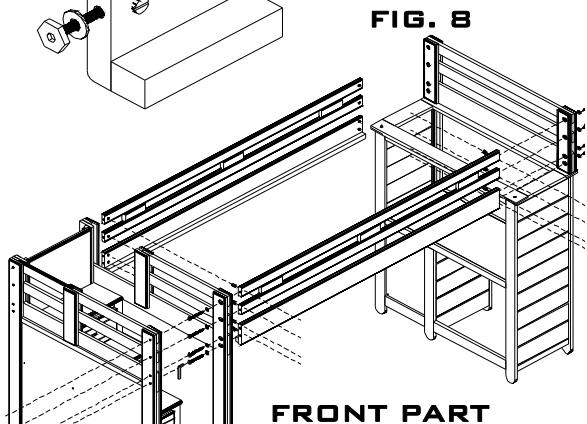
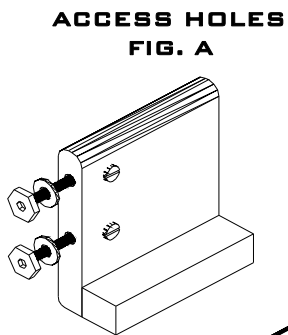
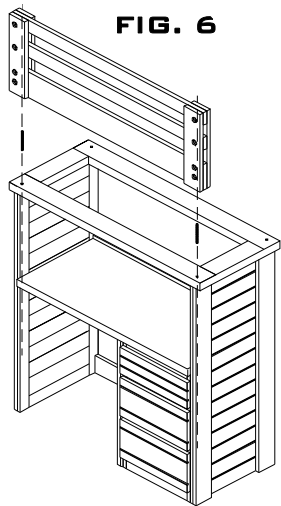


FIG. 5

- 1.-PROCEED TO ASSEMBLE THIS STEP BUNK BED,FIRST CHOOSING THE CONFIGURATION THAT FITS YOUR ROOM,LEFT OR RIGHT SEE FIG.9,IF LEFT GO TO STEP # 3 OR RIGHT GO TO STEP # 2.
- 2.- CHANGE SAFETY GRILL THAT IS FACTORY INSTALLED IN LEFT SIDE TO THE RIGHT SIDE,USING A PHILLIPS SCREWDRIVER (NOT INCLUDED) REMOVE SCREWS FROM STEP (SAVE THE SCREWS TO RE-ATTACH THE GRILL TO RIGHT SIDE), THEN INSTALL GRILL THE RIGHT SIDE, SEE FIG.9
- 3.- TO ASSEMBLE STEP BUNK BED DO BACK PART FIRST USING ONE STEP BUNK BED HEADBOARD (E),ONE UPPER BED END (A),ONE 3 DRW STUDENT DESK (C) OR 5 DRW STUDENT CHEST (D), ONE SIDE RAILS (F), ONE GUARD RAILS (G), FIRST INSERT ONE METAL DOWEL PIN (B) IN EACH OUTSIDE CORNER OF DESK OR CHEST, TAKE THE UPPER BED END (A) AN PLACE IT ON TOP OF THE DESK OR CHEST, ALIGNING THE METAL DOWEL PIN (B) WITH EACH PRE-DRILLED HOLE IN EVERY END OF THE UPPER BED UNTIL THE METAL DOWEL PIN (B) ARE ALL THE WAY IN THE HOLE OF THE UPPER BED, SEE FIG.6.
- 4.- ATTACH SIDE RAILS (F) AND GUARD RAILS (G) TO THE STEP BUNK BED HEADBOARD (E) AND UPPER BED END (A),INSERTING TWO HEX BOLTS (I) AND WASHERS (K) INTO THE BUNK BED HEADBOARD AND THE UPPER BED END HOLES, SEE FIG.7
- 5.- INSERT TWO CROSS DOWEL NUTS (J) IN ACCESS HOLE INSIDE SIDE RAILS (F) ALIGN THE CROSS DOWEL NUTS AS SHOW IN FIG.A, USE THE HEX KEY (L) TO TIGHTEN BOTH HEX BOLTS UNTIL SECURE, REPEAT PROCESS WITH GUARD RAIL.
- 6.- REPEAT PROCESS WITH FRONT PART SEE FIG.8, ONLY TOP SIDE RAIL AND GUARD RAIL.
- 7.- PLACE 4 SLATS (H) ON TOP SIDE RAILS CLEATS (F), PLACE ONE SLAT IN BOTH HEADBOARD&FOOTBOARD ENDS, PUSH THE SLATS (H) AGAINST THE BED END POST (FIG.B) AND TWO AT EQUAL DISTANCE FROM THE END SLATS, SECURE WITH 1 1/4" SCREWS (M) ALL SLATS ENDS. (FIG.10)



- 1.- ASSEMBLE FULL BED, USING TWO SIDE RAILS (F) ONE HEADBOARD (N), ONE FOOTBOARD (O), THE SAME WAY AS THE TOP SIDE RAILS SEE FIG.7 AND THREE SLATS (P), ONE SLAT IN BOTH HEADBOARD&FOOTBOARD ENDS AND PUSH SLATS AGAINST THE BED END POST (FIG.B), THEN PLACE ONE SLAT IN THE MIDDLE AT EQUAL DISTANCE FROM THE END SLATS AND SECURE WITH 1 1/4" SCREWS (M) SEE FIG.11
- 2.- INSERT CASTERS (Q) WITH CASTERS SOCKETS (R) INTO BOTTOM CORNERS OF EACH HEADBOARD&FOOTBOARD, SEE FIG.C
- 3.- ROLL THE BED AND PLACE IT BETWEEN 3 DRW LOFT DESK OR 5 DRW LOFT CHEST AND STEP BUNK BED AS SHOWN IN FIG.12

FIG. 11

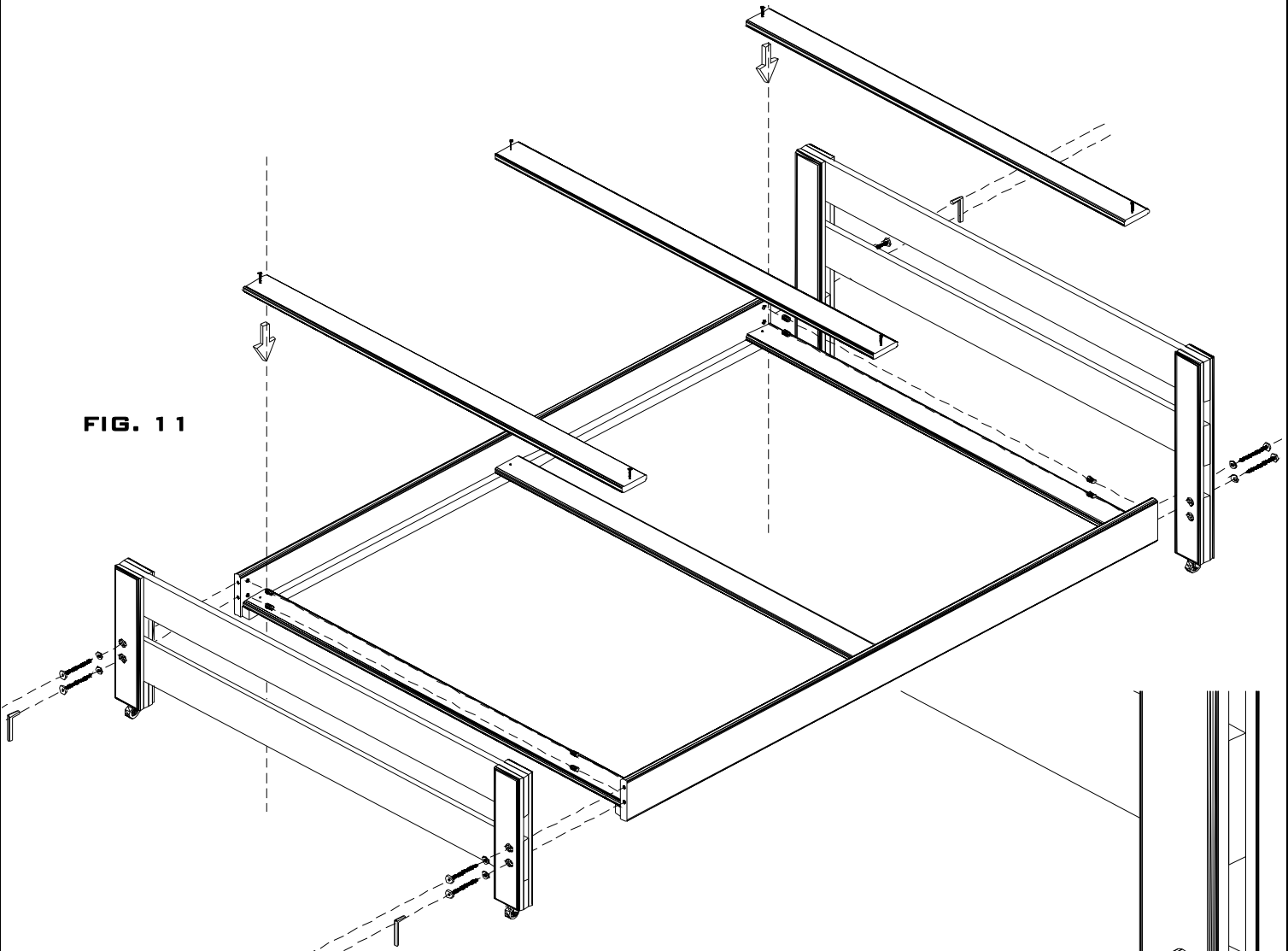
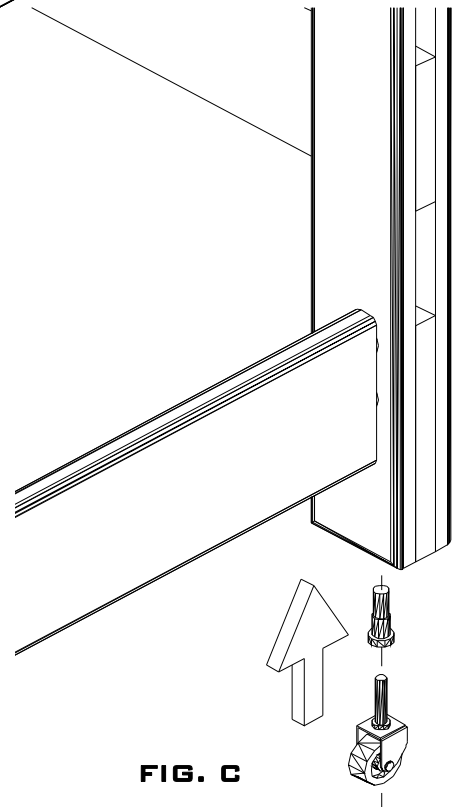


FIG. C



**CANYON FURNITURE COMPANY,
SAFETY WARNINGS**

- 1.- FOLLOW THE INFORMATION ON THE WARNINGS APPEARING ON THE UPPER BUNK END STRUCTURE AND ON THE CARTON. DO NOT REMOVE WARNING LABEL FROM BED.
- 2.- ALWAYS USE THE RECOMMENDED SIZE MATTRESS OR MATTRESS SUPPORT, OR BOTH TO HELP PREVENT THE LIKELIHOOD OF ENTRAPMENT OR FALLS.
- 3.- SURFACE OF MATTRESS MUST BE AT LEAST 5 IN BELOW THE UPPER EDGE OF GUARDRAILS.
- 4.- DO NOT ALLOW CHILDREN UNDER 6 YEARS OF AGE TO USE THE UPPER BUNK.
- 5.- PROHIBIT MORE THAN ONE PERSON ON UPPER BUNK.
- 6.- PERIODICALLY CHECK AND ENSURE THAT THE GUARDRAIL, LADDER AND OTHER COMPONENTS ARE IN THEIR PROPER POSITION, FREE FROM DAMAGE, AND THAT ALL CONNECTORS ARE TIGHT.
- 7.- DO NOT ALLOW HORSEPLAY ON OR UNDER THE BED AND PROHIBIT JUMPING ON THE BED.
- 8.- ALWAYS USE THE LADDER FOR ENTERING AND LEAVING THE UPPER BUNK.
- 9.- DO NOT USE SUBSTITUTE PARTS. CONTACT THE MANUFACTURER OR DEALER FOR REPLACEMENT PARTS.
- 10.- USE OF A NIGHT LIGHT MAY PROVIDE ADDED SAFETY PRECAUTION FOR A CHILD USING THE UPPER BUNK.
- 11.- IF THE BUNK BED WILL BE PLACED NEXT TO THE WALL, THE GUARDRAIL THAT RUNS THE FULL LENGTH OF THE BED SHOULD BE PLACED AGAINST THE WALL TO PREVENT ENTRAPMENT BETWEEN THE BED AND THE WALL.
- 12.- ALWAYS USE GUARDRAILS ON BOTH LONG SIDES OF THE UPPER BUNK.
- 13.- THE USE OF WATER OR SLEEP FLOTATION MATTRESSES IS PROHIBITED.
- 14.- **STRANGULATION HAZARD.** NEVER ATTACH OR HANG ITEMS TO ANY PART OF THE BUNK BED THAT ARE NOT DESIGNED FOR USE WITH THE BED, FOR EXAMPLE, BUT NO LIMITED TO HOOKS, BELTS AND JUMP ROPES.
- 15.- KEEP THESE INSTRUCTIONS FOR FUTURE REFERENCE.

SIZE OF MATTRESS AND FOUNDATION

THE UPPER BUNK BED IS DESIGNED TO USE A MATTRESS 37 1/2" TO 38 1/2" WIDE X 74" TO 75" LONG BUNKIE BOARD 37 1/2" WIDE X 74" LONG.
THE TOTAL THICKNESS MUST NOT EXCEED 8 1/2".

NOTE: THERE MUST BE AT LEAST 5" FROM MATTRESS SLEEPING SURFACE TO TOP EDGE OF GUARD RAIL.

COMPLETE CONFIGURATION

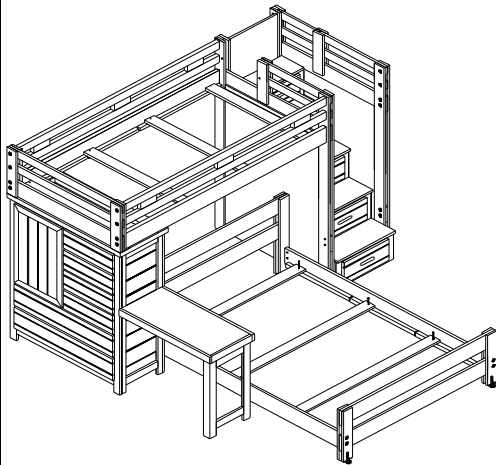
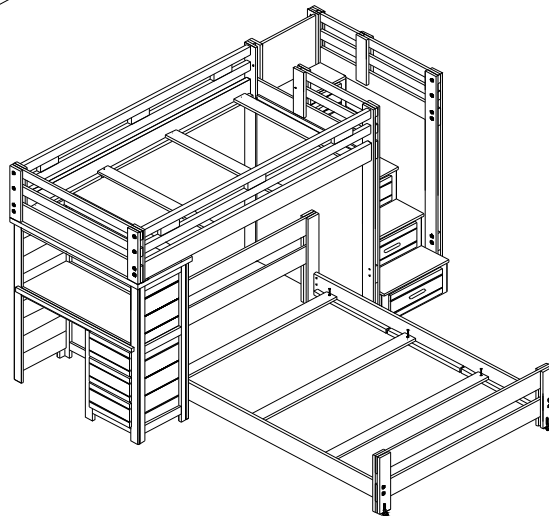
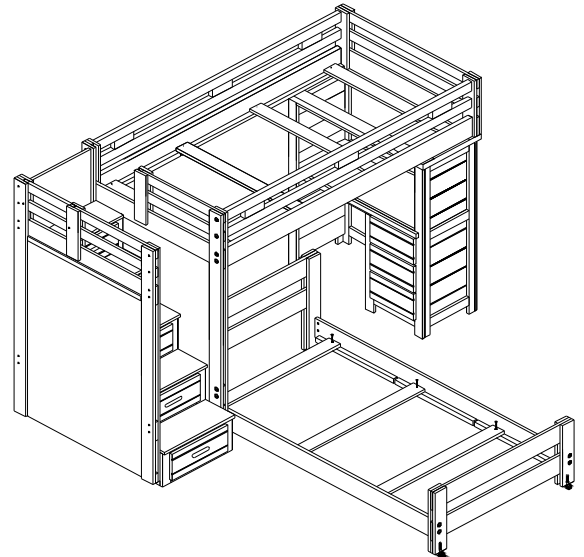


FIG. 12



WARNING:
THE BED SLATS WILL NO SUPPORT A MATTRESS ALONE, A SLAT PACK OR A BUNKIE BOARD IS REQUIRED FOR PROPER SAFETY.
(NOT INCLUDED)

REPLACEMENT PARTS

REPLACEMENT PARTS, INCLUDING ADDITIONAL GUARDRAILS, MAY BE OBTAINED FROM ANY OF OUR CANYON FURNITURE COMPANY DEALERS.



DRAWERS ARE SECURED

NOTE : THE DRAWERS ON THE STEP BED HAVE BEEN SECURED FOR SHIPPING PURPOSES BY A THIN STRIP CONNECTED TO THE BACK SIDE OF THE TOP FOUR (4) DRAWERS.
BY PULLING OUT THE INDIVIDUAL DRAWERS FIRMLY, IT WILL RELEASE THE THIN CLOTH STRIP IN THE BACK.