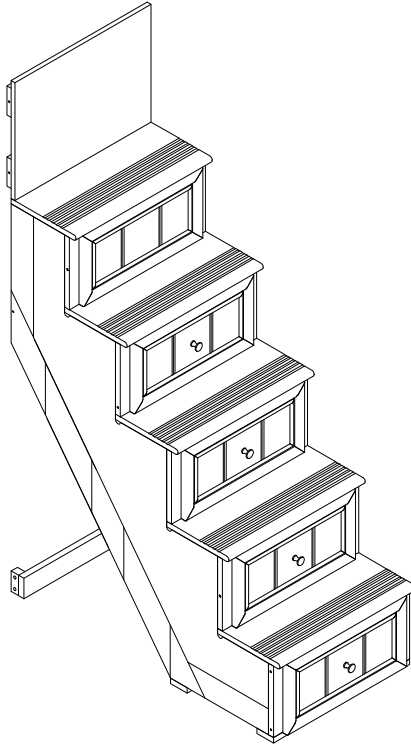


COTTAGE COLORS 2.0

STAIRCASE



BED PACKAGE NO.	SKU#	STYLE	COLOR	ITEM DESCRIPTION
3672230P	35922308	225-LB2EW	WHITE	LOFT BED END (2PC)
	36022301	225-LBSRW	WHITE	LOFT BED RAIL SET W/ SLAT ROLL
	36222305	225-LBSW	WHITE	STAIRCASE
	36322307	225-LBSEW	WHITE	STAIRCASE END PANEL

BED PACKAGE NO.	SKU#	STYLE	COLOR	ITEM DESCRIPTION
3672232P	35922322	225-LB2EG	GRAY	LOFT BED END (2PC)
	36022325	225-LBSRG	GRAY	LOFT BED RAIL SET W/ SLAT ROLL
	36222329	225-LBSG	GRAY	STAIRCASE
	36322321	225-LBSEG	GRAY	STAIRCASE END PANEL

BED PACKAGE NO.	SKU#	STYLE	COLOR	ITEM DESCRIPTION
3672233P	35922334	225-LB2ENB	NAVY BLUE	LOFT BED END (2PC)
	36022337	225-LBSRNB	NAVY BLUE	LOFT BED RAIL SET W/ SLAT ROLL
	36222331	225-LBSNB	NAVY BLUE	STAIRCASE
	36322333	225-LBSENB	NAVY BLUE	STAIRCASE END PANEL

BED PACKAGE NO.	SKU#	STYLE	COLOR	ITEM DESCRIPTION
3672231P	35922310	225-LB2EB	BLACK	LOFT BED END (2PC)
	36022313	225-LBSRB	BLACK	LOFT BED RAIL SET W/ SLAT ROLL
	36222317	225-LBSB	BLACK	STAIRCASE
	36322319	225-LBSEB	BLACK	STAIRCASE END PANEL




DO NOT USE SUBSTITUTE PARTS. PLEASE CONTACT YOUR RETAIL STORE OR WWW.ROOMSTOGO.COM WITH SERVICE OR PARTS REPLACEMENT REQUEST.

This product is manufactured by (JSFC) for **ROOMS TO GO® | KIDS**



COTTAGE COLORS 2.0

TWIN LOFT BED W/STAIRCASE


STAIRCASE PART LIST

	ITEM DISCRIPTION	IMAGE	QTY
F	STAIRCASE		1 PC
G	STAIRCASE TOP BACK PANEL		1 PC
H	BOTTOM BACK BRACKET		1 PC

STAIRCASE HARDWARE LIST

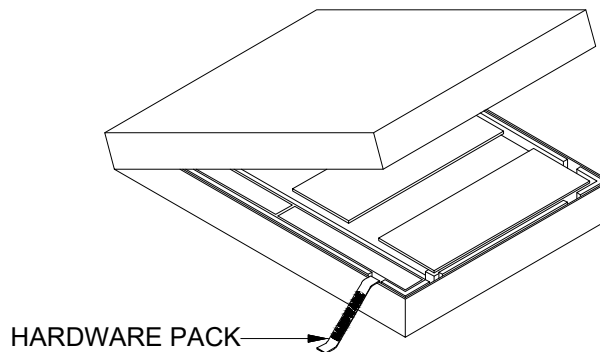
	ITEM-DESCRIPTION	IMAGE	QTY
1	BOLT 1/4"*15*2"		20 PCS
2	ALLEN KEY 4mm		1 PC

STAIRCASE END PANEL PART LIST

	ITEM DISCRIPTION	IMAGE	QTY
I	STAIRCASE END PANEL		1 PC

HARDWARE PACK LOCATION

SKU#	STYLE	COLOR	ITEM DESCRIPTION
36222305	225-LBSW	WHITE	STAIRCASE
36222329	225-LBSG	GRAY	STAIRCASE
36222331	225-LBSNB	NAVY BLUE	STAIRCASE
36222317	225-LBSB	BLACK	STAIRCASE



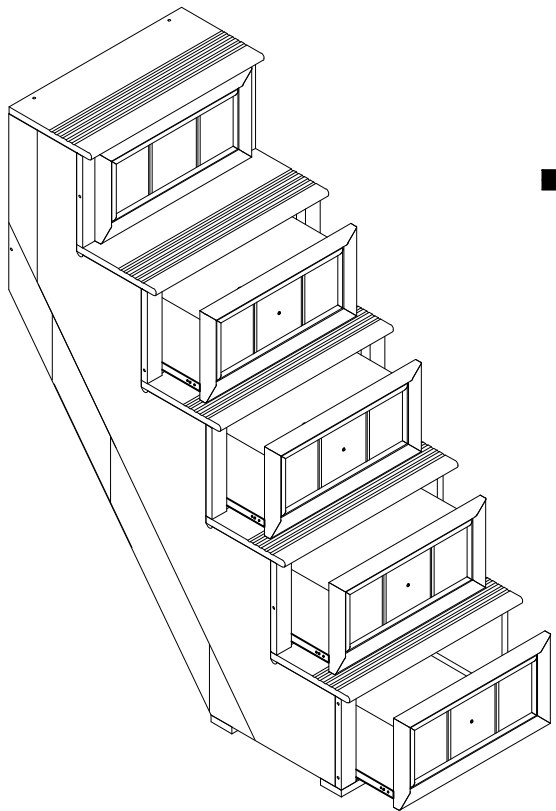
DO NOT USE SUBSTITUTE PARTS. PLEASE CONTACT YOUR RETAIL STORE OR WWW.ROOMSTOGO.COM WITH SERVICE OR PARTS REPLACEMENT REQUEST.

This product is manufactured by (JSFC) for **ROOMS TO GO® | KIDS**

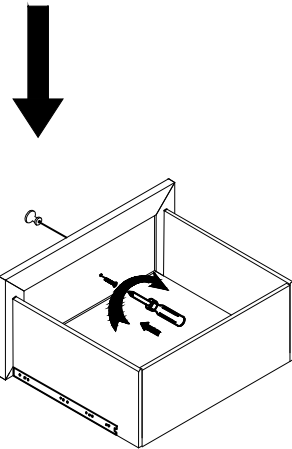
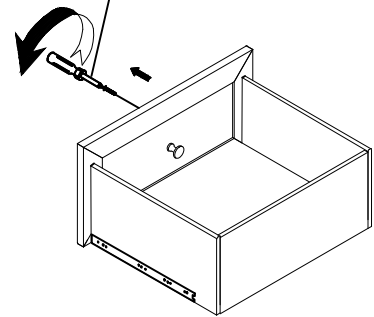
Thank you for purchasing this quality product. Be sure to check all packing material carefully for small parts which may have come loose inside the carton during shipment. Identify and count all parts and compare with the parts list below. Read all instructions before assembling bed and keep these instructions for future reference.

Assembly Instructions:

STEP 1



NOTE: Requires Phillips Head Screwdriver (Not Included)



Screw out the knobs which installed on the back face of drawer front, and install the knobs on the front face of drawer front tighten the screws with a Philips Screwdriver (Not provided) by screwing the screws into place.

DO NOT USE SUBSTITUTE PARTS. PLEASE CONTACT YOUR RETAIL STORE OR WWW.ROOMSTOGO.COM WITH SERVICE OR PARTS REPLACEMENT REQUEST.

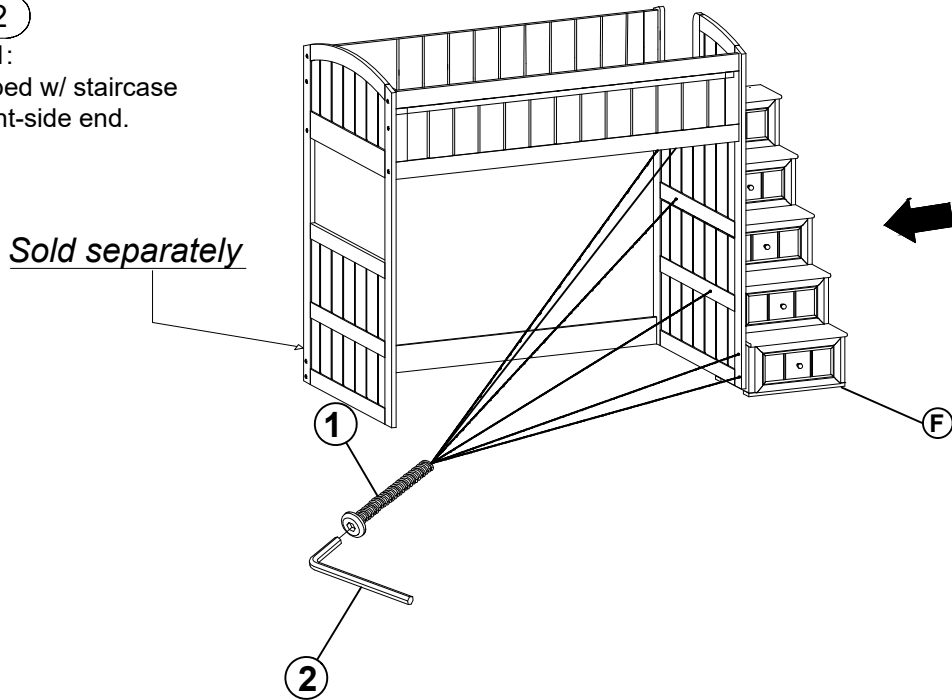
This product is manufactured by (JSFC) for **ROOMS TO GO® | KIDS**

Thank you for purchasing this quality product. Be sure to check all packing material carefully for small parts which may have come loose inside the carton during shipment. Identify and count all parts and compare with the parts list below. Read all instructions before assembling bed and keep these instructions for future reference.

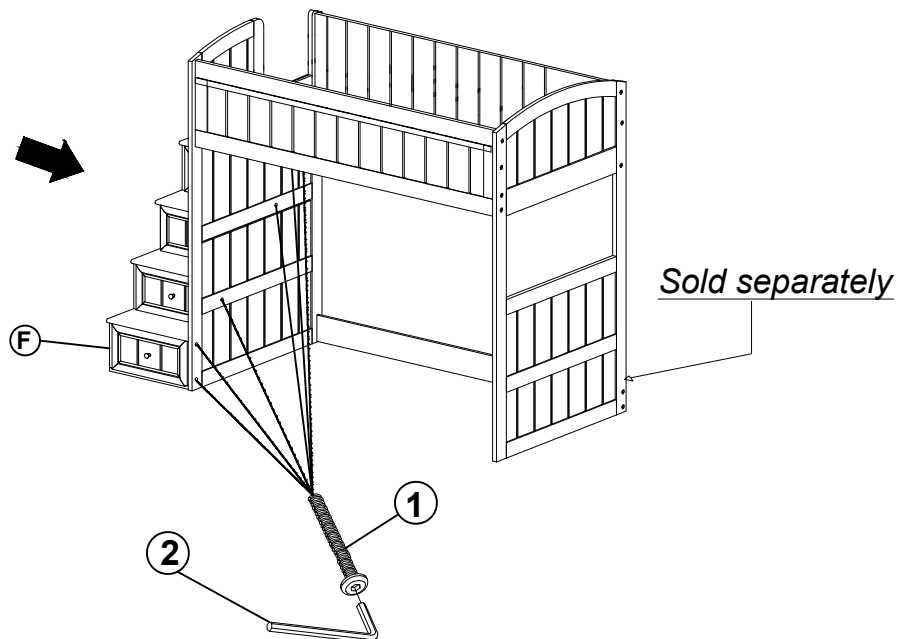
Assembly Instructions:

STEP 2

OPTION 1:
Twin loft bed w/ staircase
on the right-side end.



OPTION 2:
Twin loft bed w/ staircase
on the left-side end.



DO NOT USE SUBSTITUTE PARTS. PLEASE CONTACT YOUR RETAIL STORE OR WWW.ROOMSTOGO.COM WITH SERVICE OR PARTS REPLACEMENT REQUEST.

This product is manufactured by (JSFC) for **ROOMS TO GO® | KIDS**

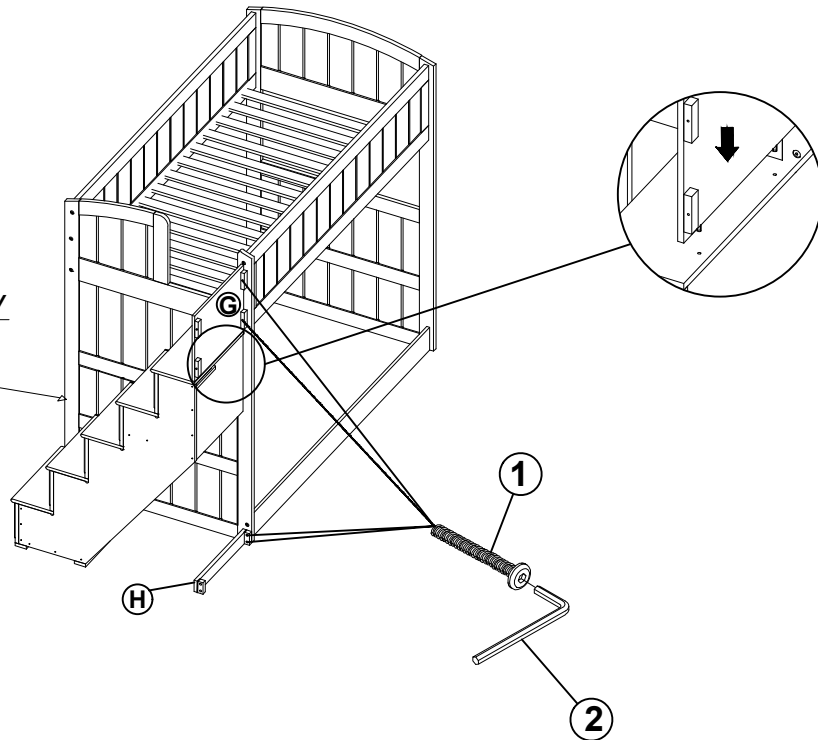
Thank you for purchasing this quality product. Be sure to check all packing material carefully for small parts which may have come loose inside the carton during shipment. Identify and count all parts and compare with the parts list below. Read all instructions before assembling bed and keep these instructions for future reference.

Assembly Instructions:

STEP 3

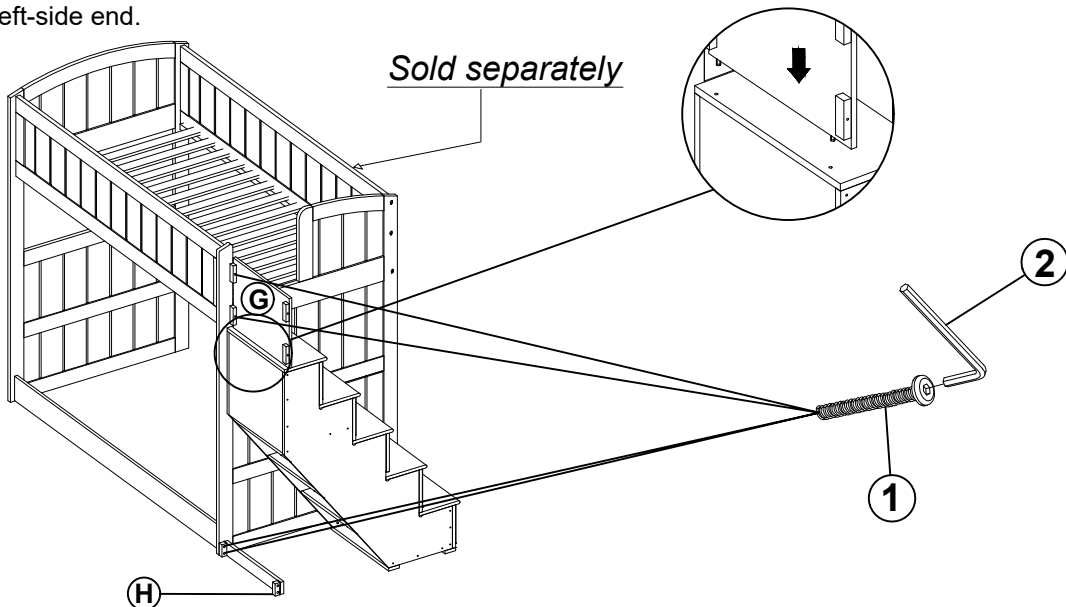
OPTION 1:
Twin loft bed w/ staircase
on the right-side end.

Sold separately



OPTION 2:
Twin loft bed w/ staircase
on the left-side end.

Sold separately



DO NOT USE SUBSTITUTE PARTS. PLEASE CONTACT YOUR RETAIL STORE OR WWW.ROOMSTOGO.COM WITH SERVICE OR PARTS REPLACEMENT REQUEST.

This product is manufactured by (JSFC) for **ROOMS TO GO® | KIDS**

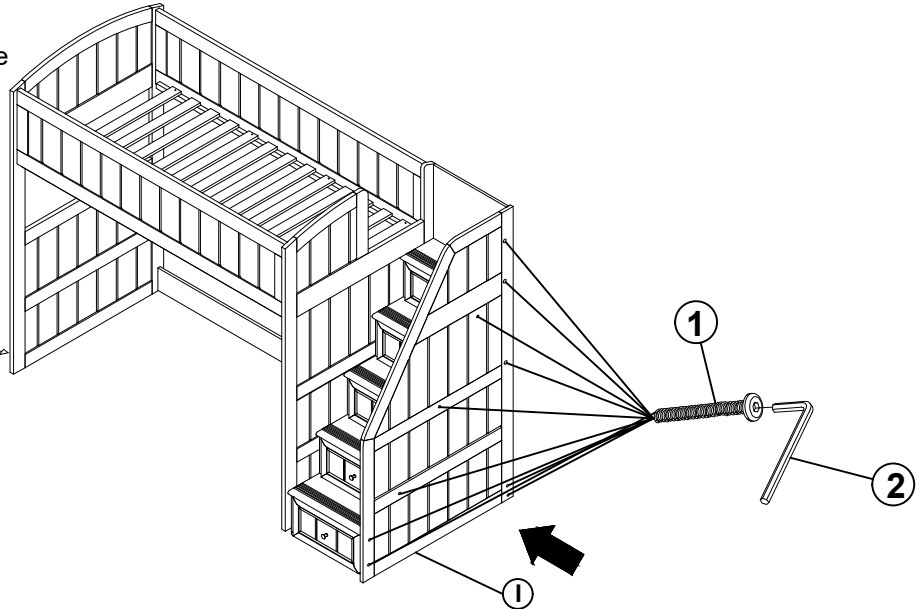
Thank you for purchasing this quality product. Be sure to check all packing material carefully for small parts which may have come loose inside the carton during shipment. Identify and count all parts and compare with the parts list below. Read all instructions before assembling bed and keep these instructions for future reference.

Assembly Instructions:

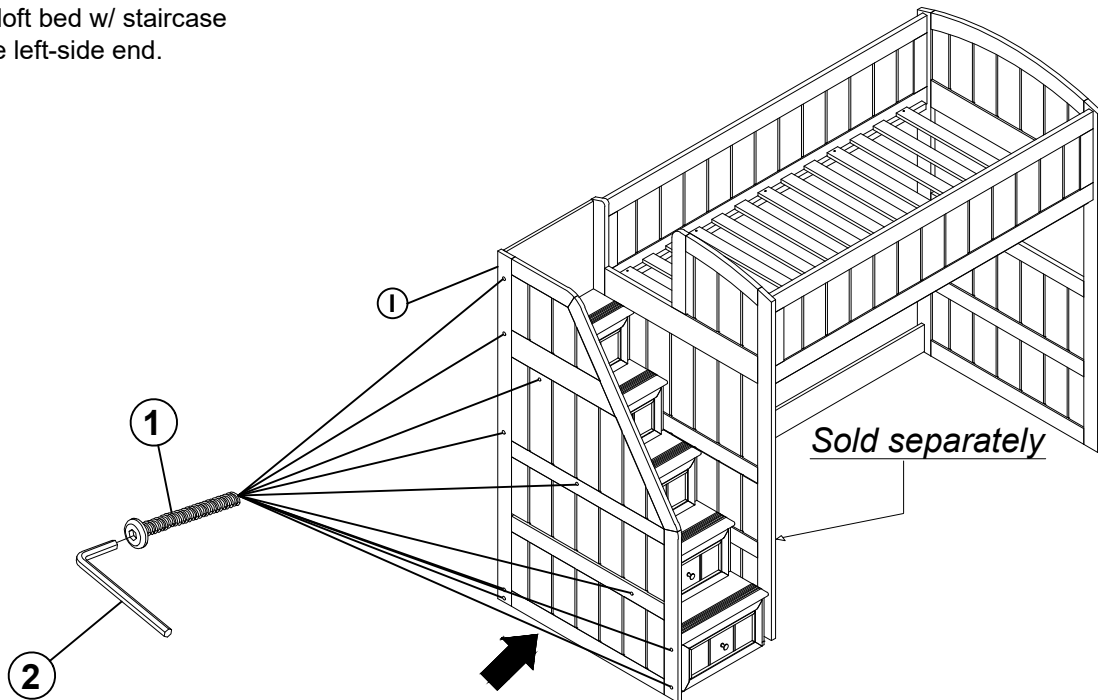
STEP 4

OPTION 1:
Twin loft bed w/ staircase
on the right-side end.

Sold separately



OPTION 2:
Twin loft bed w/ staircase
on the left-side end.



DO NOT USE SUBSTITUTE PARTS. PLEASE CONTACT YOUR RETAIL STORE OR WWW.ROOMSTOGO.COM WITH SERVICE OR PARTS REPLACEMENT REQUEST.

This product is manufactured by (JSFC) for **ROOMS TO GO® | KIDS**

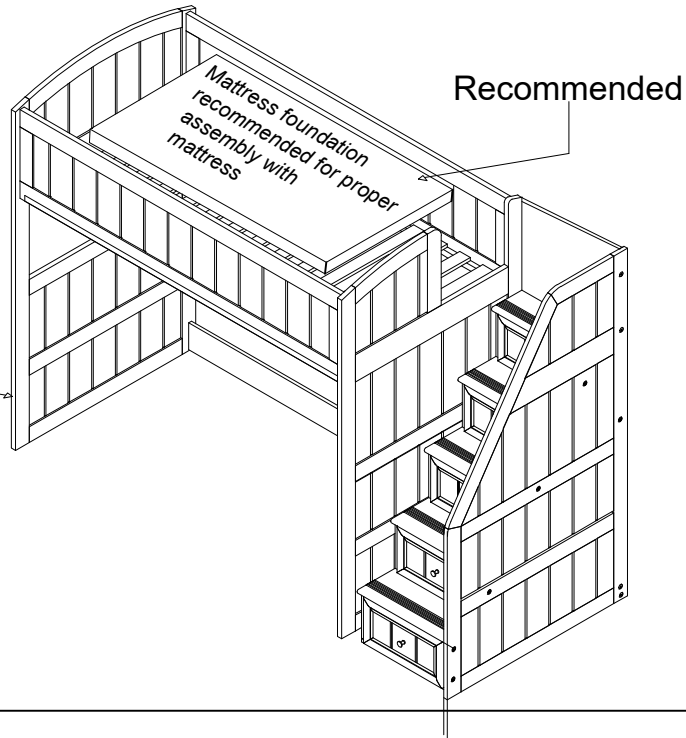
Thank you for purchasing this quality product. Be sure to check all packing material carefully for small parts which may have come loose inside the carton during shipment. Identify and count all parts and compare with the parts list below. Read all instructions before assembling bed and keep these instructions for future reference.

Assembly Instructions:

STEP 5

OPTION 1:
Twin loft bed w/ staircase
on the right-side end.

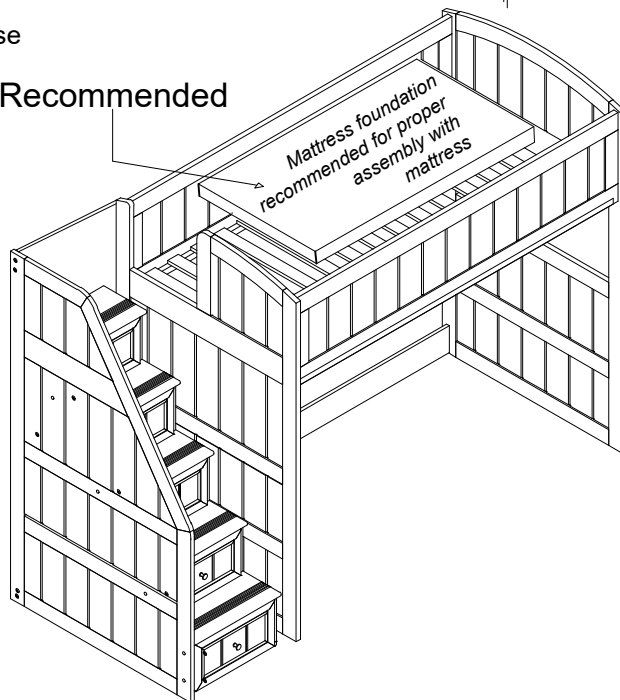
Sold separately



OPTION 2:
Twin loft bed w/ staircase
on the left-side end.

Recommended

Sold separately



A mattress foundation is recommended for proper assembly with mattress. Place the mattress foundation (not provided) on top.

DO NOT USE SUBSTITUTE PARTS. PLEASE CONTACT YOUR RETAIL STORE OR WWW.ROOMSTOGO.COM WITH SERVICE OR PARTS REPLACEMENT REQUEST.

This product is manufactured by (JSFC) for **ROOMS TO GO® | KIDS**