

ROOMS TO GO  
**KIDS**  
Manufactured for Rooms to Go

# IVY LEAGUE 2.0 COLLECTION

THANK YOU FOR YOUR PURCHASE



**WARNING DANGER**

Failure to follow these warnings and assembly instructions could result in serious injury or death. To help prevent serious or fatal injuries from entrapment or falls:

- Read all instructions before assembling bunk bed and keep these instructions for future reference.
- Before each usage or assembly, inspect bunk bed for damaged hardware, loose joints, missing parts, or sharp edges. **DO NOT** Use bunk bed if any parts are missing or broken.
- **DO NOT** Use substitute parts. Contact your local Rooms To Go or visit [www.ROOMSTOGO.COM](http://www.ROOMSTOGO.COM) for replacement parts and instructional literature if needed.
- Follow the information on the warnings appearing on the upper bunk end structure and on the carton, **DO NOT REMOVE WARNING LABEL FROM BED.**
- Always use the recommended size mattress or mattress supports, or both to help prevent the likelihood of entrapment or falls.
- Ensure thickness of mattress and foundation combine does not exceed **10 inches (255mm)** and mattress surface is at least **5 inches (127mm)** below upper edge of guardrails.
- Do not allow children under 6 years of age to use the upper bunk.
- Periodically check and ensure that the guardrail, ladder, and other components are in their proper position, free from damage, and that all connectors are tight.
- Do not allow horseplay on or under the bed and prohibit jumping on the bed.
- Limit top bunk use to one person.
- Always use the ladder for entering and leaving the upper bunk.
- Use of night light may provide added safety precaution for a child using the upper bunk.
- Always use guardrails on both long sides of the upper bunk. If the bunk bed will be placed next to the wall, the guardrail that runs the full length of the bed should be placed against the wall to prevent entrapment between the bed and wall.
- The use of water or sleep flotation mattress is prohibited.
- This bunk bed meets all the requirements of ASTM 1427-19.



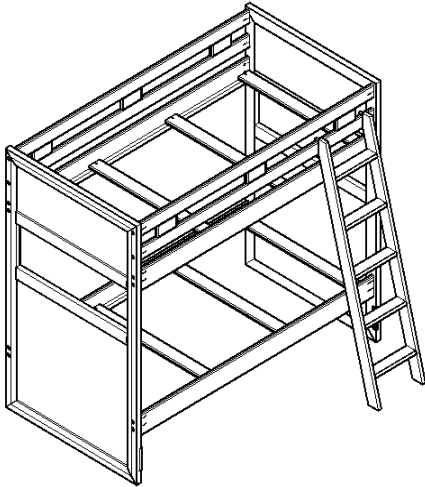
**STRANGULATION HAZARD:**

Never attach or hang items to any part of the bunk bed that are not designed for use with the bed; for example, but not limited to, hooks, belts, and jump ropes.

# CONFIGURATIONS

Choose your configuration, read all the instructions, identify all components, and be sure you have all parts prior to assembly

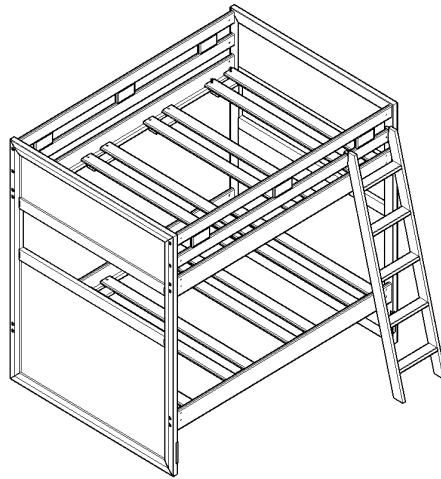
Reference page 4-6 for assembly steps



TWIN/TWIN BUNK

3462360P WALNUT 3461326P WHITE

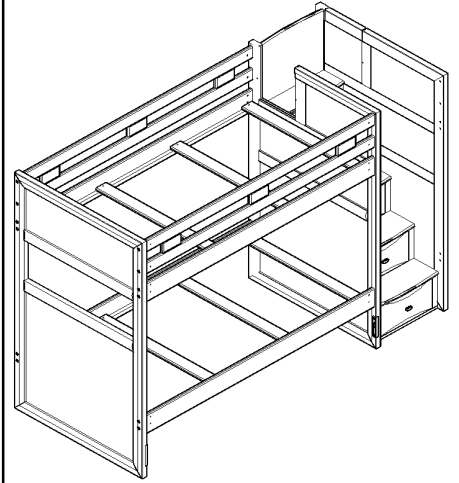
Reference page 7-9 for assembly steps



FULL / FULL BUNK

3472360P WALNUT 3471326P WHITE

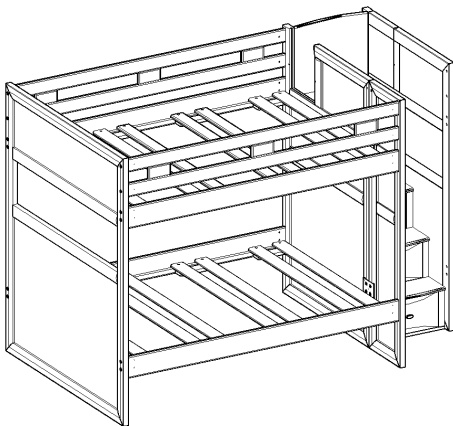
Reference page 10-12 for assembly steps



TWIN / TWIN STEP BUNK

3482360P WALNUT 3481326P WHITE

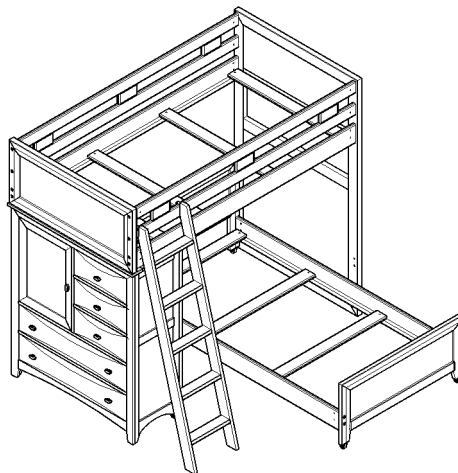
Reference page 13-16 for assembly steps



FULL / FULL STEP BUNK BED

3492360P WALNUT 3491326P WHITE

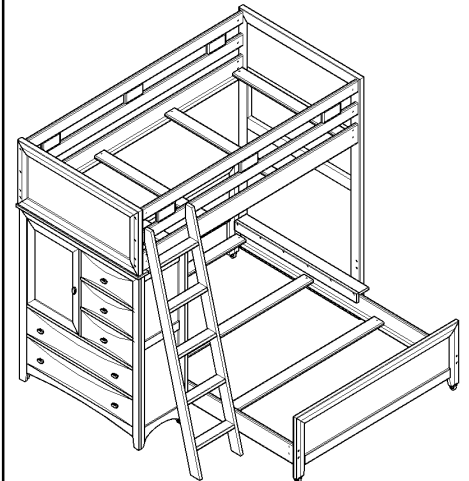
Reference page 17-20 for assembly steps



TWIN / TWIN LOFT W/CHEST

3512360P WALNUT 3511326P WHITE

Reference page 21-24 for assembly steps



TWIN / FULL LOFT W/CHEST

3522360P WALNUT 3521326P WHITE

Reference page 25-28 for assembly steps



TWIN/TWIN LOFT W/2 CHEST

3532360P WALNUT 3531326P WHITE

Reference page 29-33 for assembly steps



FULL/TWIN LOFT W/CHEST-BOOKCASE

3552360P WALNUT 3551326P WHITE

Reference page 34-38 for assembly steps



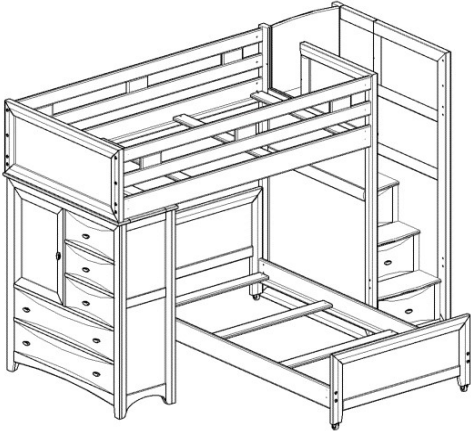
FULL/FULL LOFT W/CHEST-BOOKCASE

3562360P WALNUT 3561326P WHITE

# CONFIGURATIONS

Choose your configuration, read all the instructions, identify all components, and be sure you have all parts prior to assembly

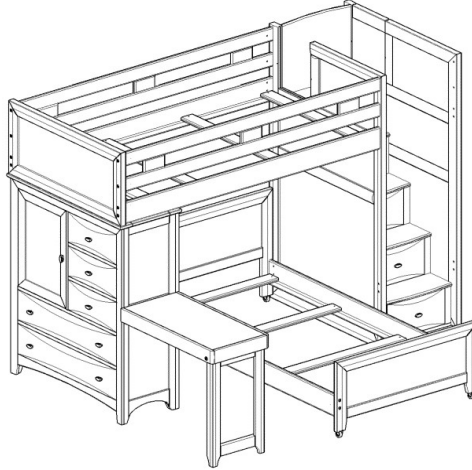
**Reference page 39-42 for assembly steps**



TWIN/TWIN STEP LOFT W/CHEST

3592360P WALNUT    3591326P WHITE

**Reference page 39-44 for assembly steps**



TWIN/TWIN STEP LOFT W/CHEST-DESK ATTACHMENT

3602360P WALNUT    3601326P WHITE

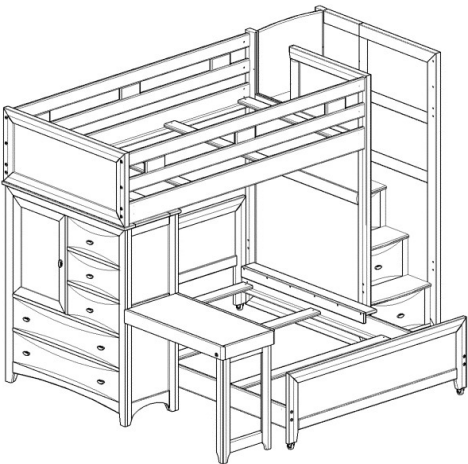
**Reference page 45-48 for assembly steps**



TWIN/FULL STEP LOFT BED W/CHEST

PENDING WALNUT    PENDING WHITE

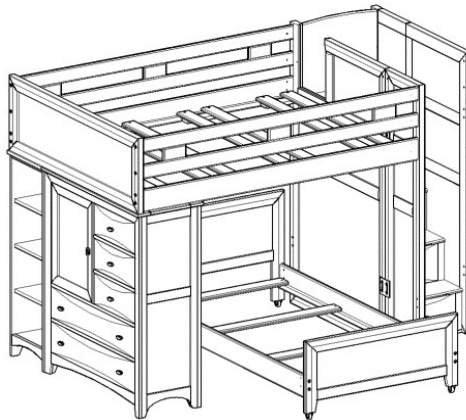
**Reference page 45-50 for assembly steps**



TWIN/FULL STEP LOFT W/CHEST-DESK ATTACHMENT

3622360P WALNUT    3621326P WHITE

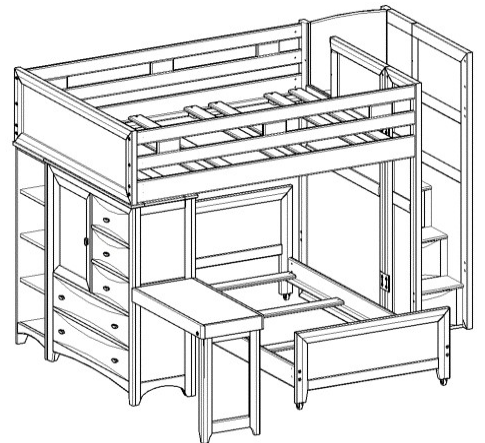
**Reference page 51-68 for assembly steps**



FULL/TWIN STEP LOFT W/CHEST-BOOKCASE

3652360P WALNUT    3651326P WHITE

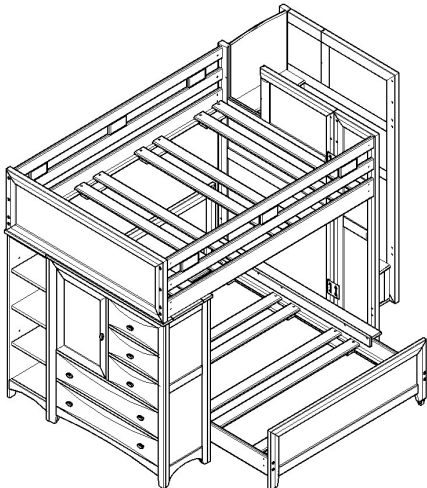
**Reference page 51-60 for assembly steps**



FULL/TWIN STEP LOFT W/CHEST-BOOKCASE-DESK ATTACHMENT

3662360P WALNUT    3661326P WHITE

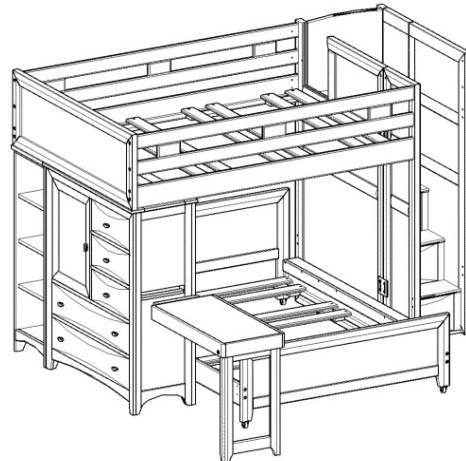
**Reference page 61-68 for assembly steps**



FULL/FULL STEP LOFT W/CHEST-BOOKCASE

3672360P WALNUT    3671326P WHITE

**Reference page 61-70 for assembly steps**

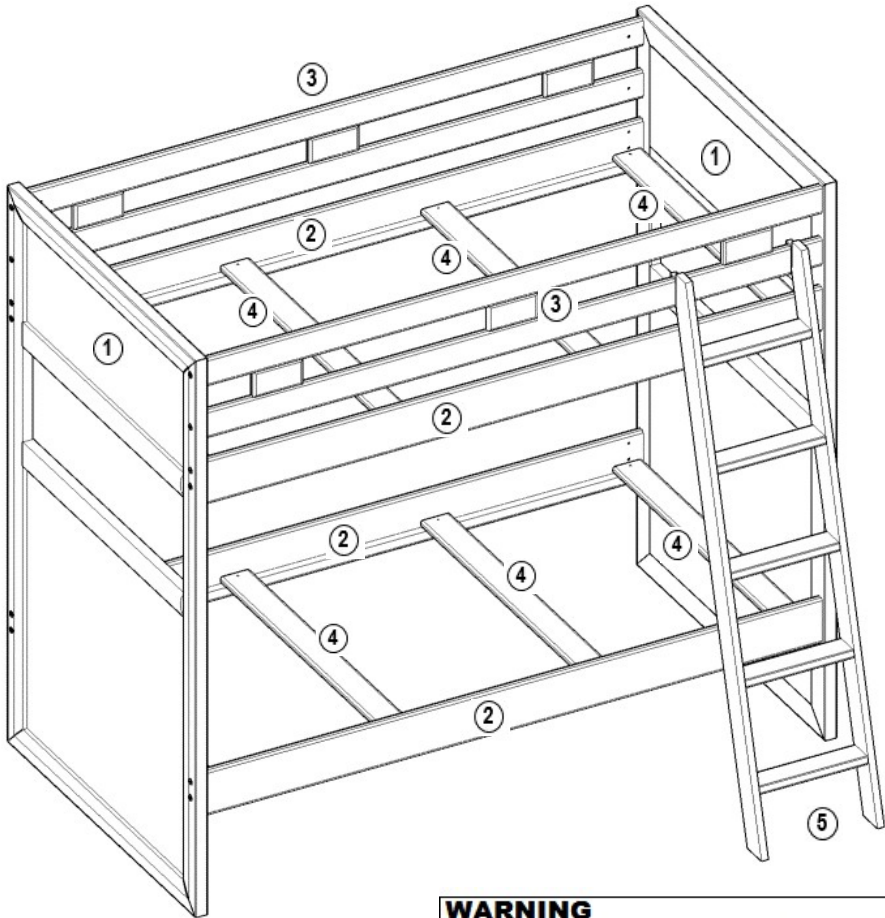


FULL/FULL STEP LOFT W/CHEST-BOOKCASE-DESK ATTACHMENT

PENDING WALNUT    PENDING WHITE



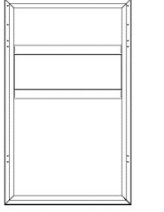



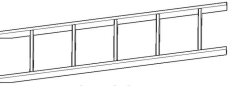
# PARTS LIST


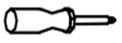

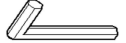


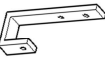


3462360P TWIN/TWIN BUNK WALNUT		
RTG SKU #	STYLE #	ITEM DESCRIPTION
35423603	3260706	TWIN BUNKBED END
35423603	3260706	TWIN BUNKBED END
36723600	3260720	LADDER
36623608	3260730	4 SIDE RLS/2 GUARD RLS
38000232	100-645	TWIN SLAT PACK (4)
38000232	100-645	TWIN SLAT PACK (4)

3461326P TWIN/TWIN BUNK WHITE		
RTG SKU #	STYLE #	ITEM DESCRIPTION
35413260	3261706	TWIN BUNKBED END
35413260	3261706	TWIN BUNKBED END
36713267	3261720	LADDER
36613265	3261730	4 SIDE RLS/2 GUARD RLS
38000232	100-645	TWIN SLAT PACK (4)
38000232	100-645	TWIN SLAT PACK (4)

**WARNING**  
 The bed slats included with this bed will not support a mattress alone, this bed requires Bunkie boards (sold separately)

PARTS LIST		QTY
1	 Twin bunk bed end	2 Pcs
2	 Side rails	4 Pcs
3	 Guardrails	2 Pcs
4	 Slats	8 Pcs
5	 Ladder	1 Pcs

HARDWARE LIST		QTY	TOOLS NEEDED
A	 50 mm Bolts	24 Pcs	Phillips screwdriver (not included) 
B	 Allen wrench	1 Pcs	Allen wrench (included) 
C	 1 1/4" Screws	16 Pcs	
D	 1" Screws	6 Pcs	
E	 Ladder Hook	2 Pcs	

**TWO PEOPLE ARE NEEDED TO ASSEMBLE  
 DO NOT TIGHTEN COMPLETELY UNTIL ALL PIECES  
 ARE CONNECTED TOGETHER**

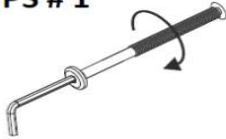


# ASSEMBLY INSTRUCTIONS

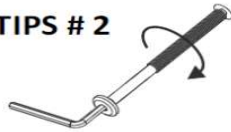
TIPS : SEE ILLUSTRATION BELOW

- 1- Use the long end of the allen wrench to fasten bolts loosely and quickly.
- 2- Use the short end of the allen wrench for final tightening

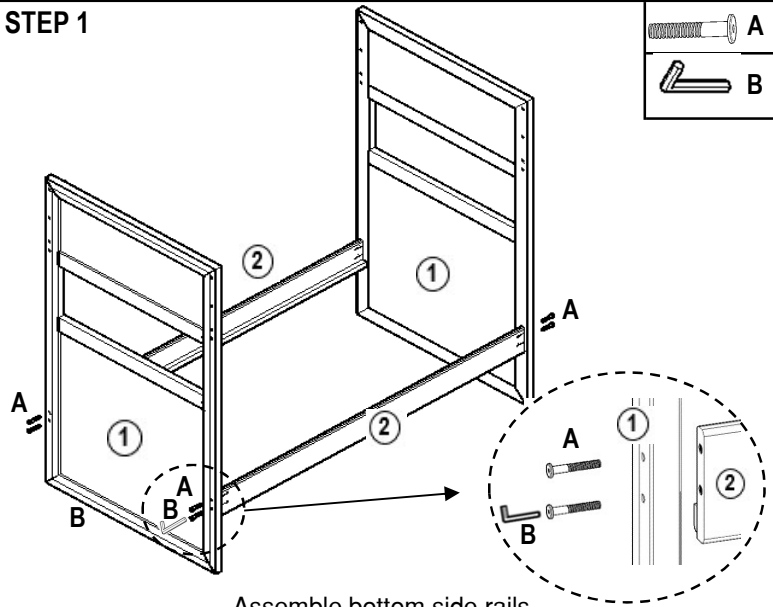
TIPS # 1



TIPS # 2

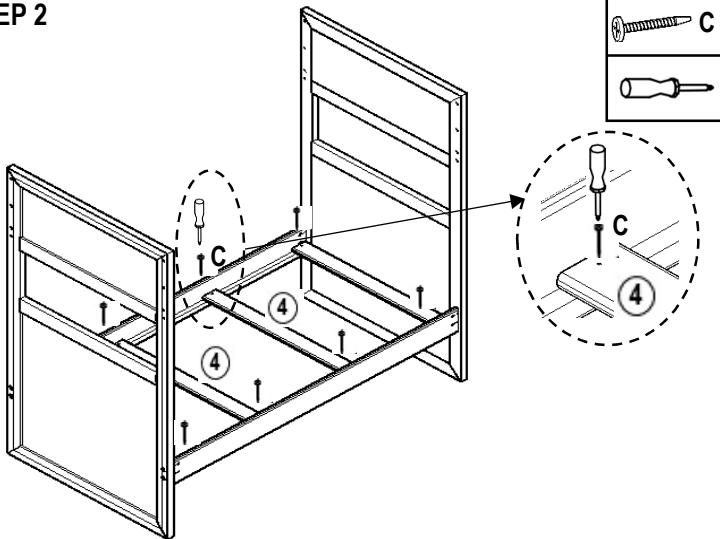


STEP 1



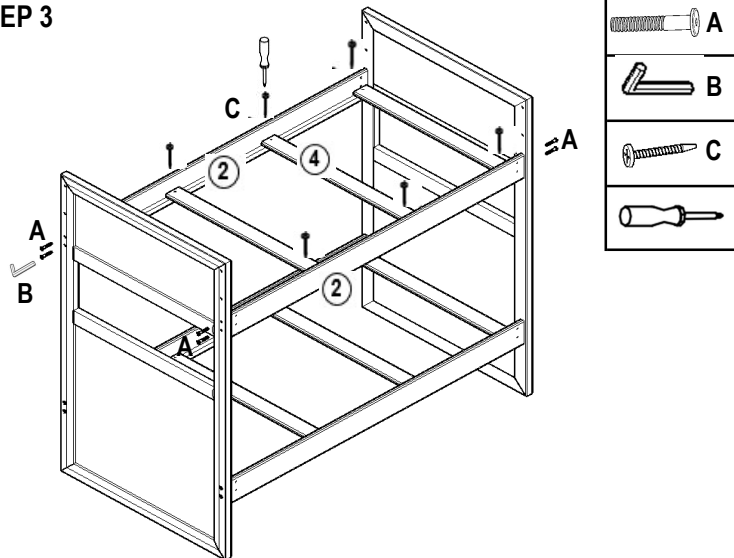
Assemble bottom side rails.

STEP 2



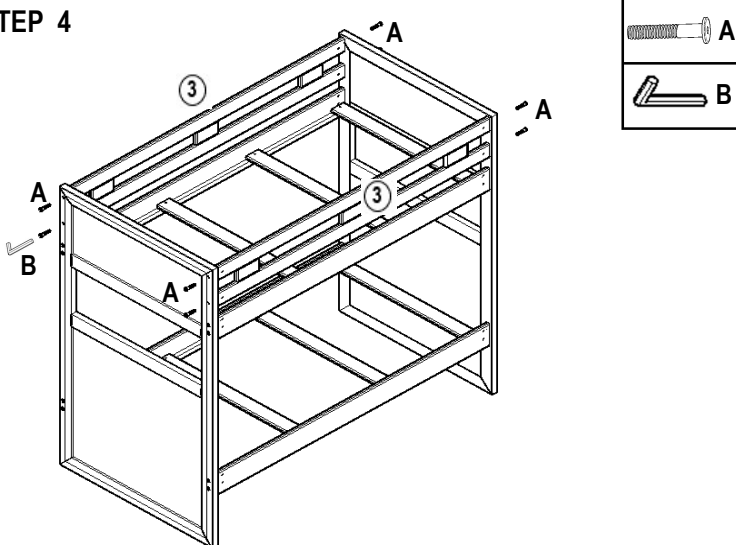
Install slats, one on each end, two equally spaced in the middle, then fasten with 1 1/4" screws.

STEP 3



Repeat step 1 & 2 for top set of side rails.

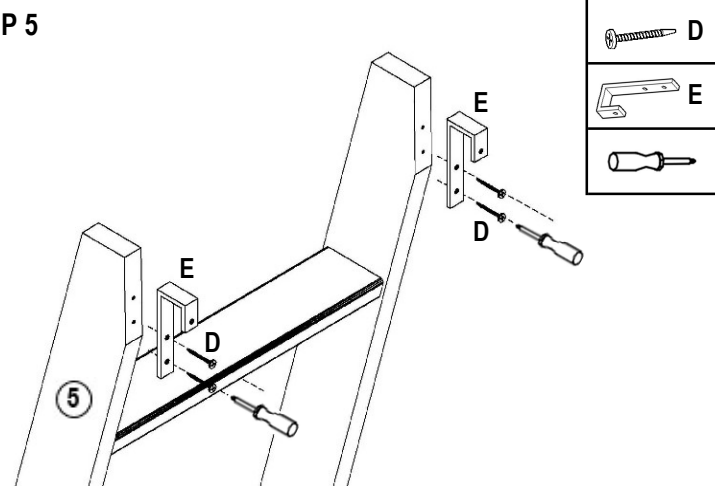
STEP 4



Assemble guardrails and tighten all bolts.

**MAKE SURE ALL BOLTS ARE TIGHTENED COMPLETELY**

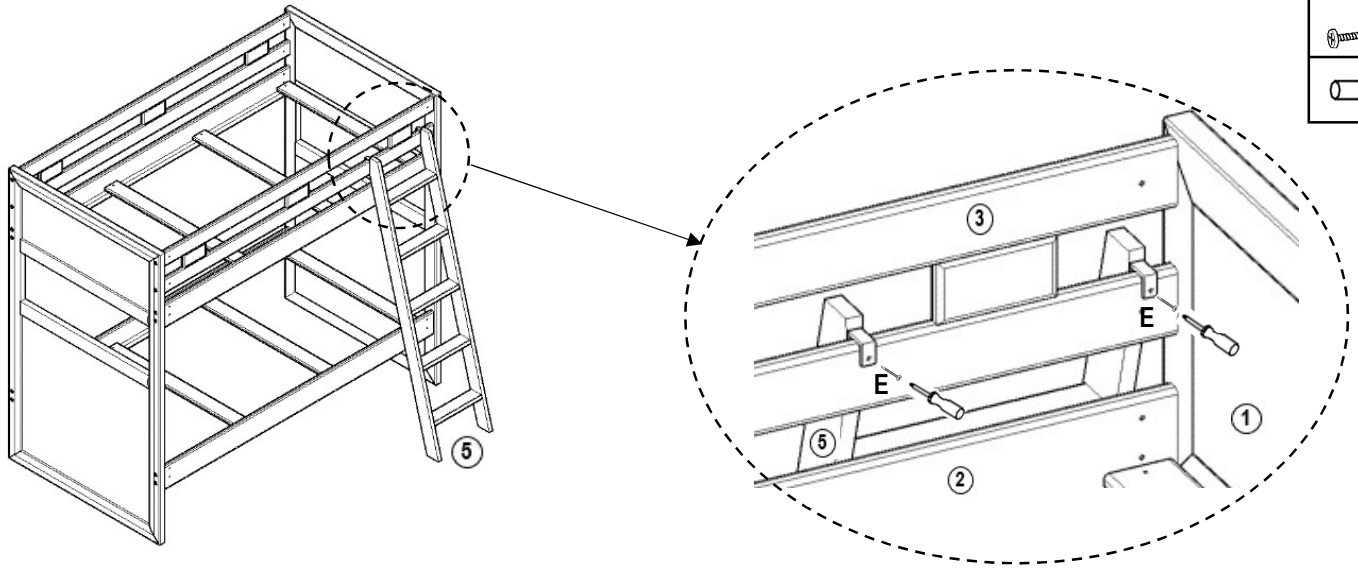
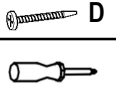
STEP 5



Screw ladder hooks to pre-drilled holes on top of ladder.

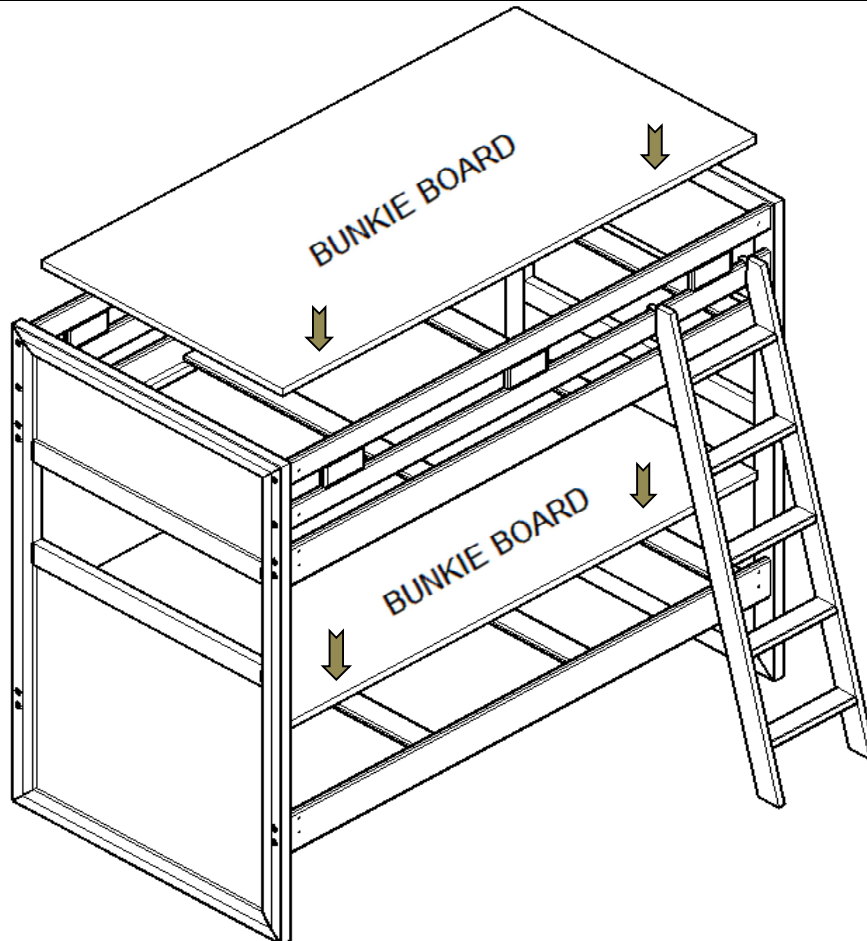
# ASSEMBLY INSTRUCTIONS

## STEP 6



Screw ladder to guardrail as shown.

## STEP 7



**Place Bunkie boards (required, sold separately) on top of the slats**

**Use only correct mattress dimensions and Bunkie board:**

Twin size mattress- 74" - 75" long and 37-1/2" - 38-1/2" wide

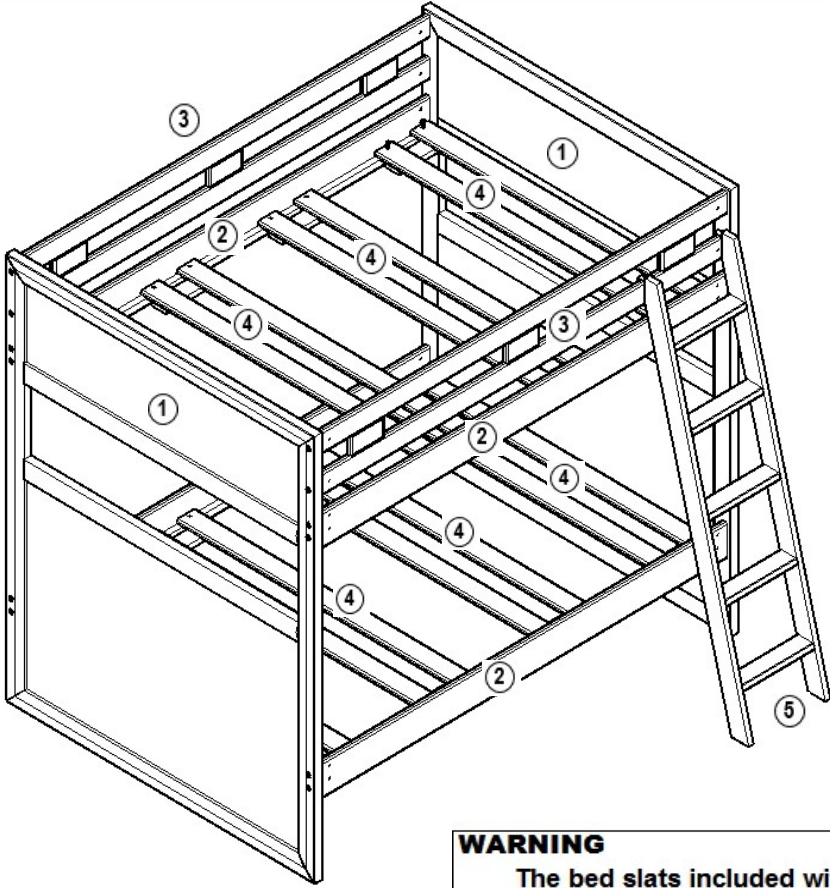
Twin size Bunkie board- 74" long and 37-1/2" wide

Full size mattress- 74" - 75" long and 52-1/2" - 53-1/2" wide

Full size Bunkie board- 74" long and 52-1/2" wide

PLEASE CONTACT YOUR RETAIL STORE WITH SERVICE OR PARTS REPLACEMENT REQUEST

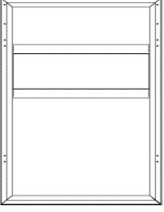



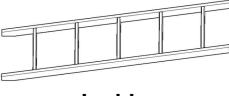
# PARTS LIST







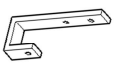


3472360P FULL/FULL BUNK WALNUT		
RTG SKU #	STYLE #	ITEM DESCRIPTION
35523605	3260704	FULL BUNKBED END
35523605	3260704	FULL BUNKBED END
36723600	3260720	LADDER
36623608	3260730	4 SIDE RLS/2 GUARD RLS
38300238	100-648	FULL BUNK SLATS
38300238	100-648	FULL BUNK SLATS

3471326P FULL/FULL BUNK WHITE		
RTG SKU #	STYLE #	ITEM DESCRIPTION
35513262	3261704	FULL BUNK BED END
35513262	3261704	FULL BUNK BED END
36713267	3261720	LADDER
36613265	3261730	4 SIDE RLS/2 GUARD RLS
38300238	100-648	FULL BUNK SLATS
38300238	100-648	FULL BUNK SLATS

**WARNING**  
 The bed slats included with this bed will not support a mattress alone, this bed requires Bunkie boards (sold separately)

PARTS LIST		QTY
1	 Twin bunk bed end	2 Pcs
2	 Side rails	4 Pcs
3	 Guardrails	2 Pcs
4	 Slats	8 Pcs
5	 Ladder	1 Pc

HARDWARE LIST		QTY	TOOLS NEEDED
A	 50 mm Bolts	24 Pcs	Phillips screwdriver (not included) 
B	 Allen wrench	1 Pc	Allen wrench (included) 
C	 1 1/4" Screws	16 Pcs	
D	 1" Screws	6 Pcs	
E	 Ladder Hook	2 Pcs	

**TWO PEOPLE ARE NEEDED TO ASSEMBLE**  
**DO NOT TIGHTEN COMPLETELY UNTIL ALL PIECES**  
**ARE CONNECTED TOGETHER**

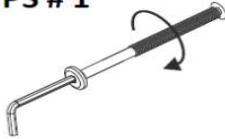


# ASSEMBLY INSTRUCTIONS

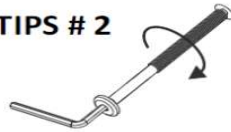
TIPS : SEE ILLUSTRATION BELOW

- 1- Use the long end of the allen wrench to fasten bolts loosely and quickly.
- 2- Use the short end of the allen wrench for final tightening

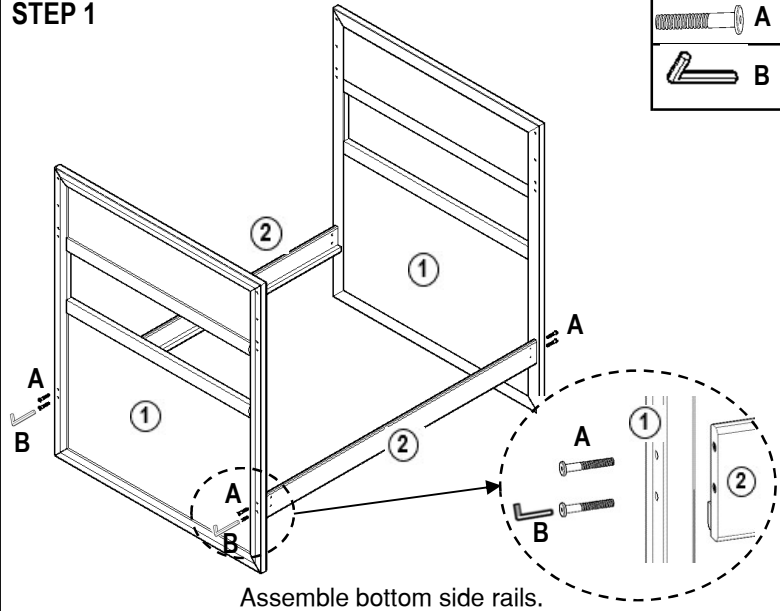
TIPS # 1



TIPS # 2

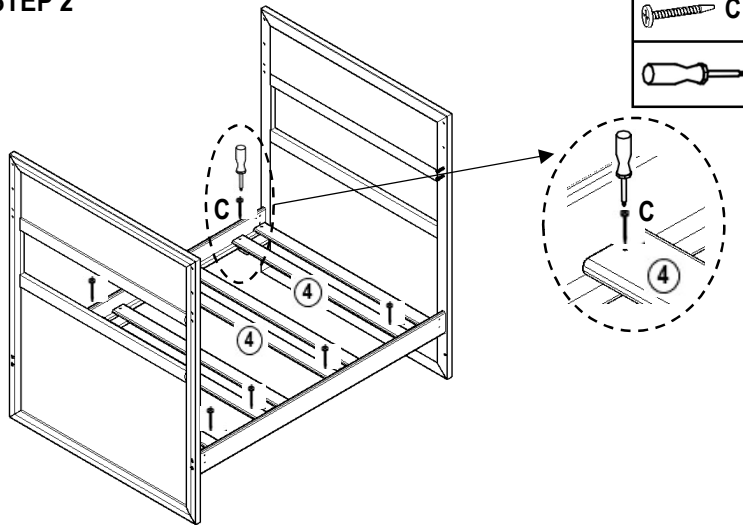


STEP 1



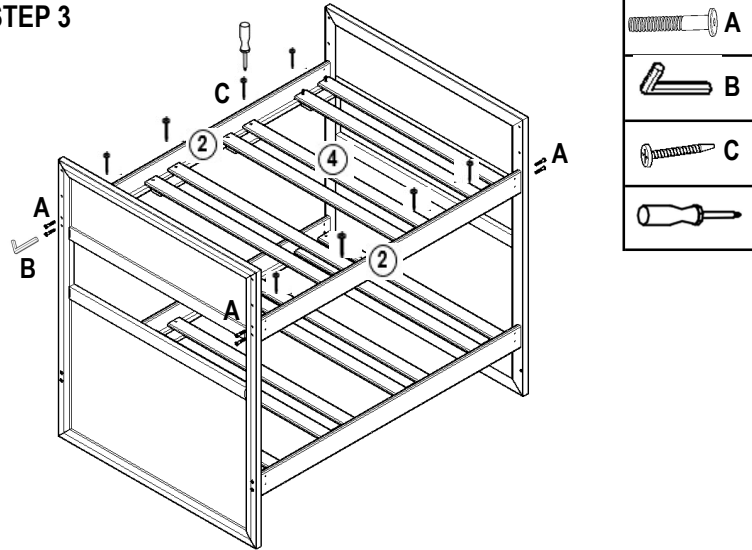
Assemble bottom side rails.

STEP 2



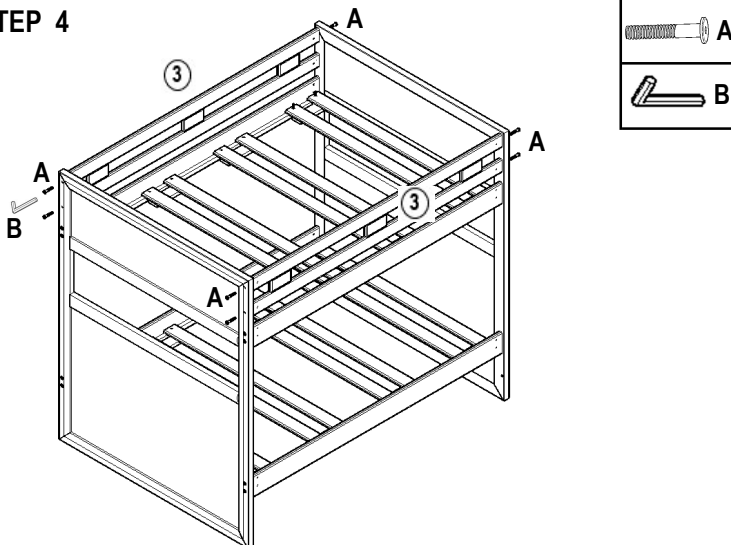
Install slats, one on each end, two equally spaced in the middle, then fasten with 1 1/4" screws

STEP 3



Repeat step 1 & 2 for top set of side rails

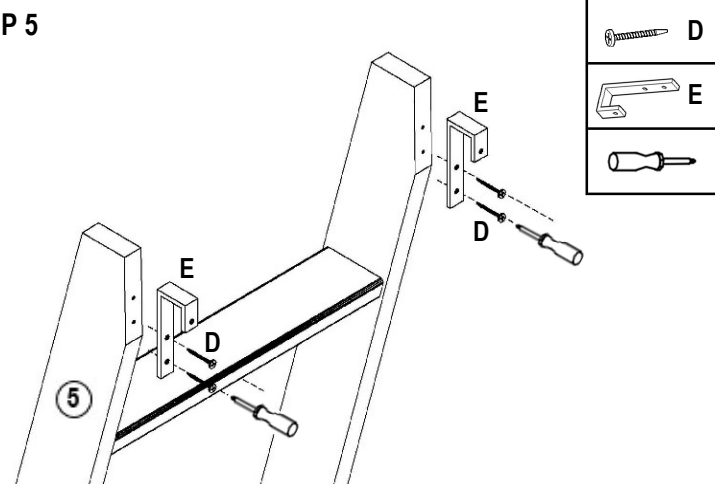
STEP 4



Assemble guardrails and tighten all bolts.

**MAKE SURE ALL BOLTS ARE TIGHTENED COMPLETELY**

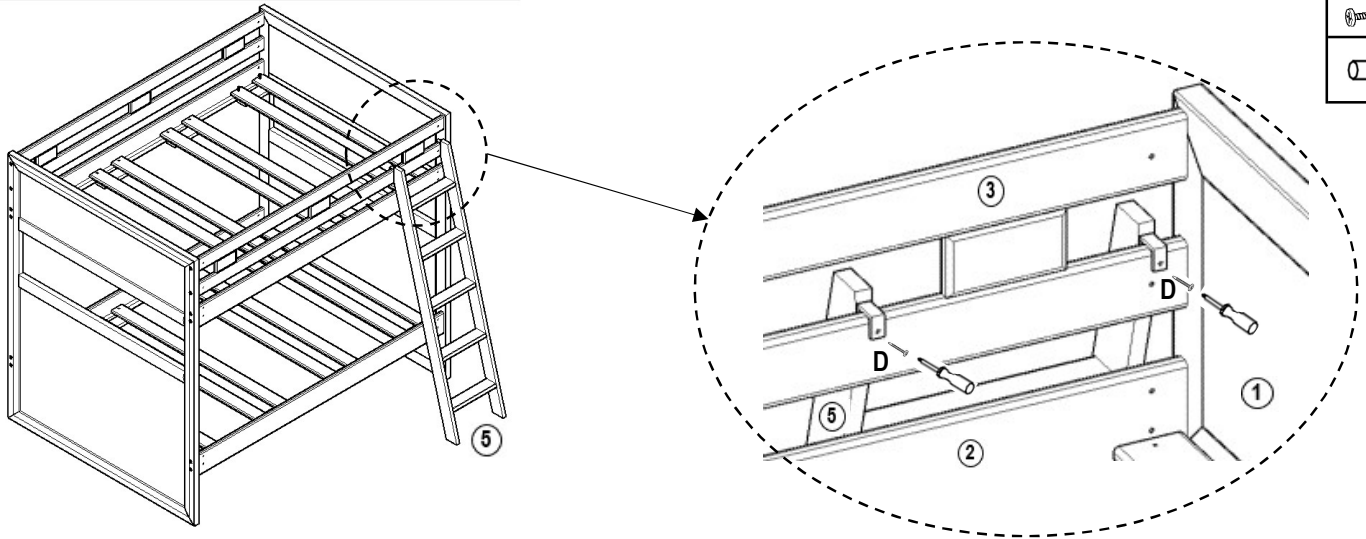
STEP 5



Screw ladder hooks to pre-drilled holes on top of ladder

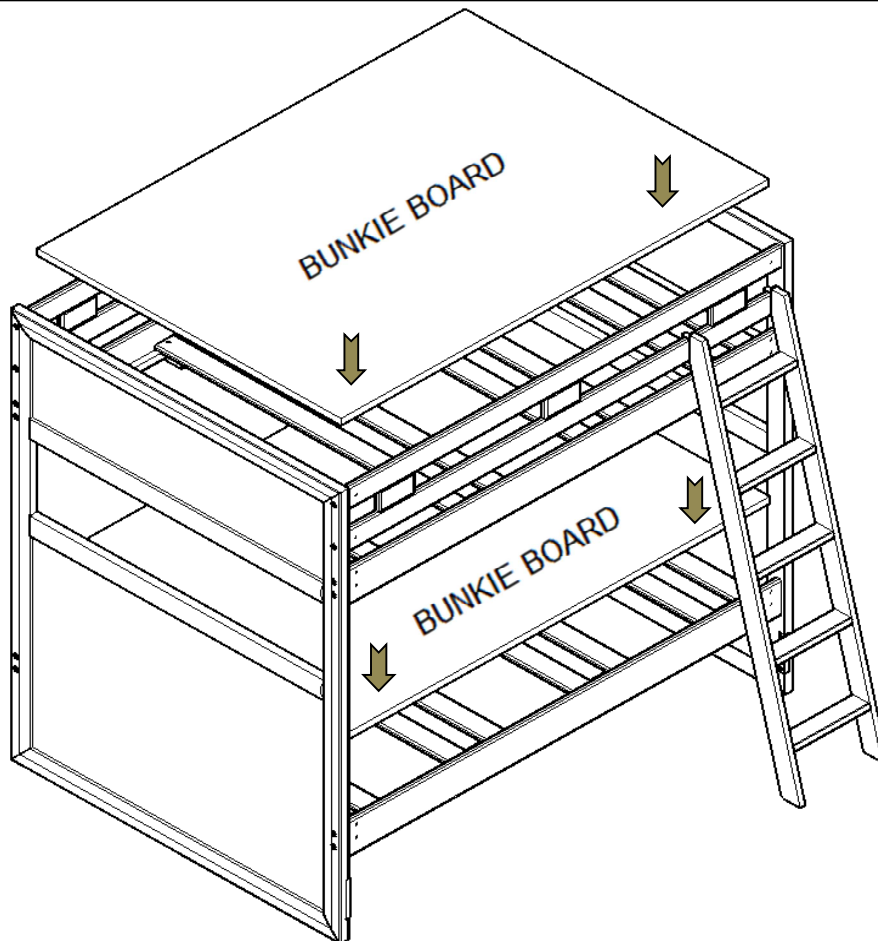
# ASSEMBLY INSTRUCTIONS

## STEP 6



Screw ladder to guardrail as shown.

## STEP 7



**Place Bunkie boards (required, sold separately) on top of the slats**

**Use only correct mattress dimensions and Bunkie board:**

Twin size mattress- 74" - 75" long and 37-1/2" - 38-1/2" wide

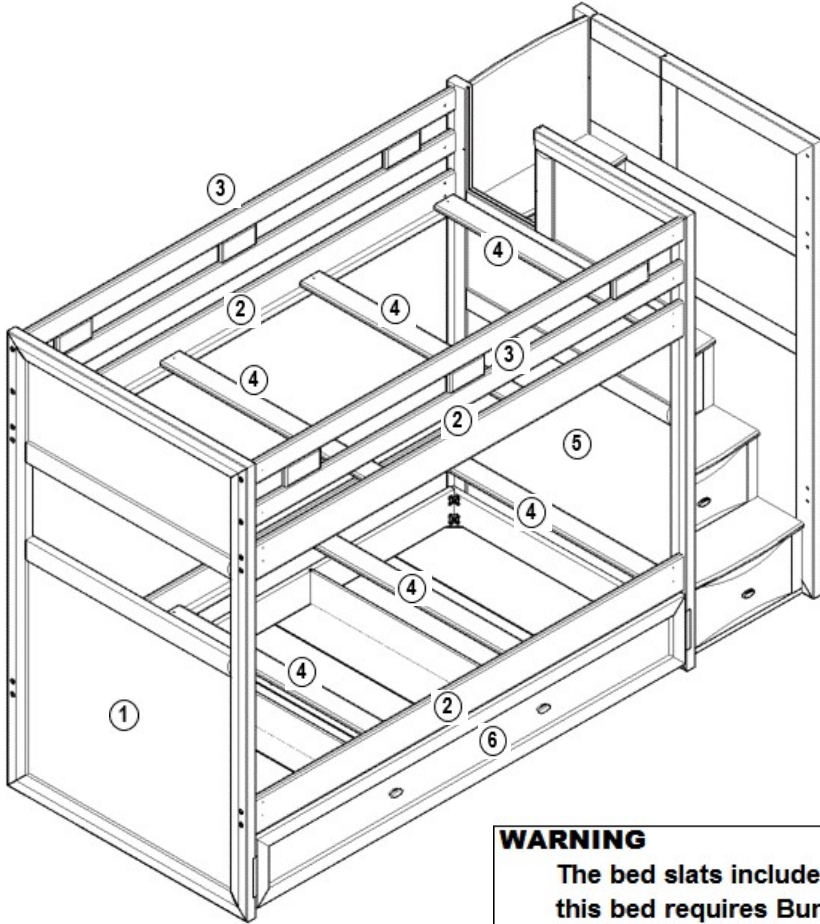
Twin size Bunkie board- 74" long and 37-1/2" wide

Full size mattress- 74" - 75" long and 52-1/2" - 53-1/2" wide

Full size Bunkie board- 74" long and 52-1/2" wide

PLEASE CONTACT YOUR RETAIL STORE WITH SERVICE OR PARTS REPLACEMENT REQUEST

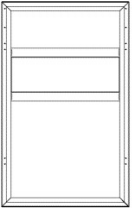
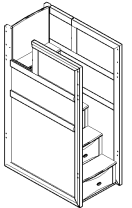



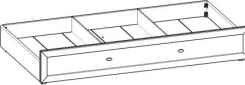
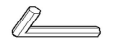




# PARTS LIST



3482360P TWIN/TWIN STEP BUNK WALNUT		
RTG SKU #	STYLE #	ITEM DESCRIPTION
35723609	3260160	STEP BUNK UNIT
35423603	3260706	TWIN BUNKBED END
36623608	3260730	4 SIDE RLS/2 GUARD RLS
38000232	100-645	TWIN SLAT PACK (4)
38000232	100-645	TWIN SLAT PACK (4)
35323601	3260744	TRUNDLE BED <b>OPTIONAL</b>

3481326P TWIN/TWIN STEP BUNK WHITE		
RTG SKU #	STYLE #	ITEM DESCRIPTION
35713266	3261160	STEP BUNK UNIT
35413260	3261706	TWIN BUNKBED END
36613265	3261730	4 SIDE RLS/2 GUARD RLS
38000232	100-645	TWIN SLAT PACK (4)
38000232	100-645	TWIN SLAT PACK (4)
35313268	3261744	TRUNDLE BED <b>OPTIONAL</b>

**WARNING**  
 The bed slats included with this bed will not support a mattress alone, this bed requires Bunkie boards (sold separately)

PARTS LIST		QTY	PARTS LIST		QTY	HARDWARE LIST	QTY	TOOLS NEEDED
1		1 Pc	5		1 Pc	A 	24 Pcs	Phillips screwdriver (not included) 
2		4 Pcs	6		1 Pc	B 	1 Pc	Allen wrench (included) 
3		2 Pcs				C 	16 Pcs	
4		8 Pcs						

**TWO PEOPLE ARE NEEDED TO ASSEMBLE  
 DO NOT TIGHTEN COMPLETELY UNTIL ALL PIECES  
 ARE CONNECTED TOGETHER**

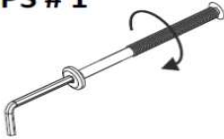


# ASSEMBLY INSTRUCTIONS

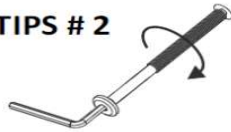
TIPS : SEE ILLUSTRATION BELOW

- 1- Use the long end of the allen wrench to fasten bolts loosely and quickly.
- 2- Use the short end of the allen wrench for final tightening

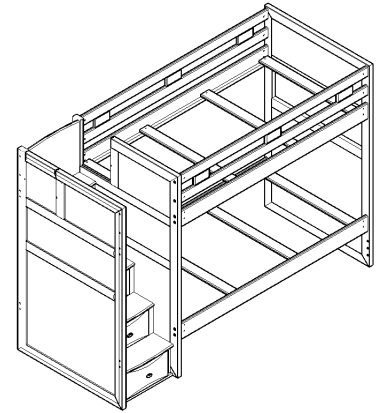
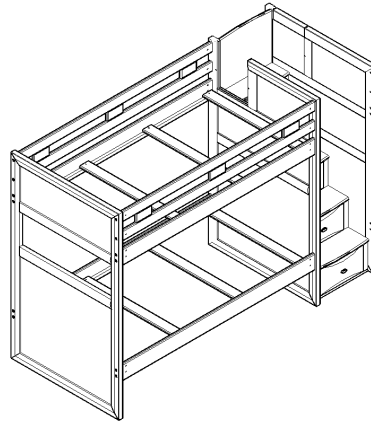
TIPS # 1



TIPS # 2

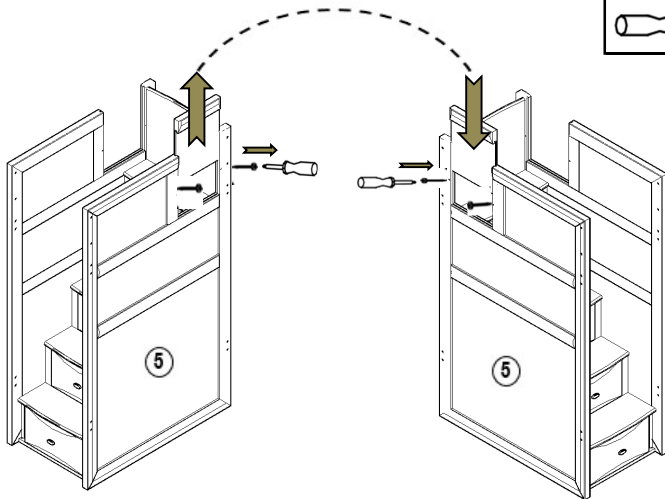


FIRST DETERMINE THE CONFIGURATION THAT FITS YOUR ROOM



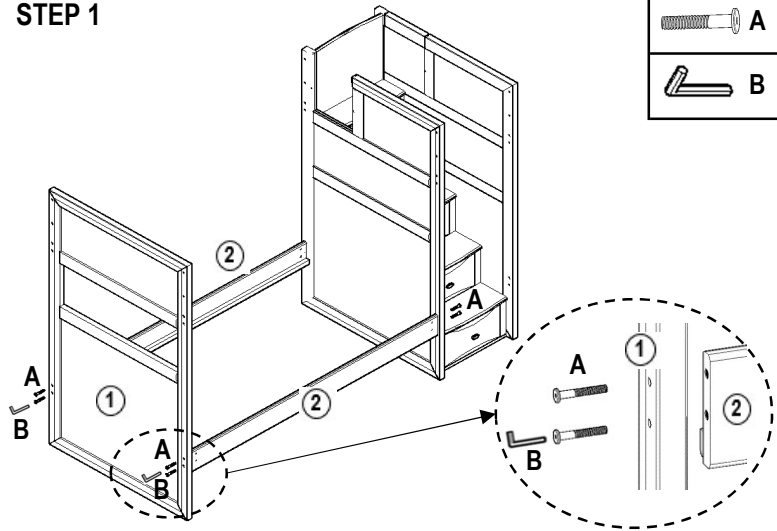
STAIRS ON THE RIGHT  
(Factory setting)

STAIRS ON THE LEFT



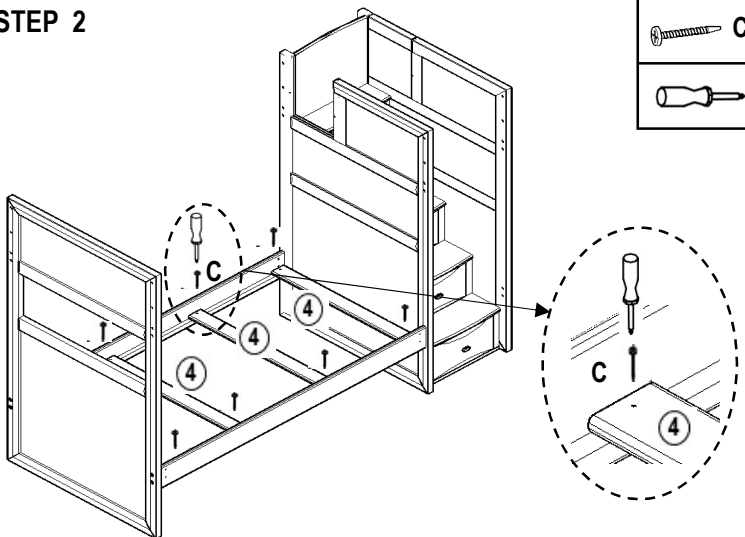
For stairs on the left, first remove the screws, then remove the panel and install it on the other side and secure with the screws.

STEP 1



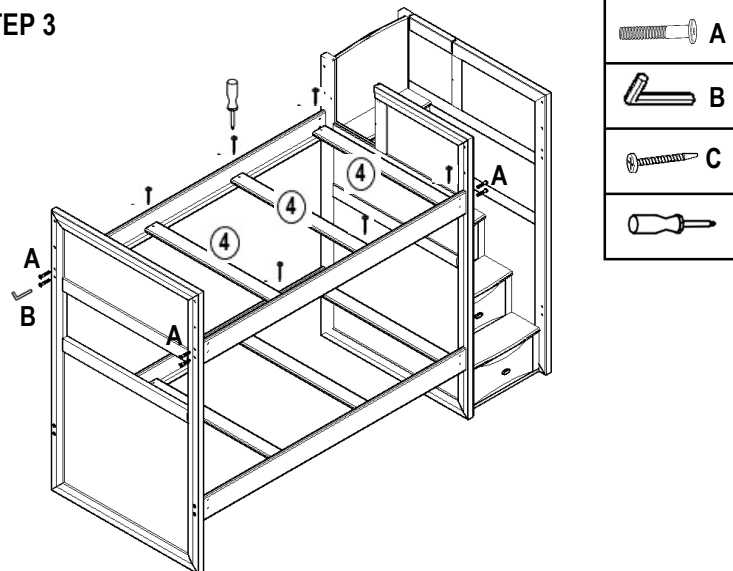
Assemble bottom side rails.

STEP 2



Install slats, one on each end, two equally spaced in the middle, then fasten with 1 1/4" screws.

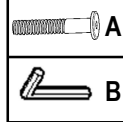
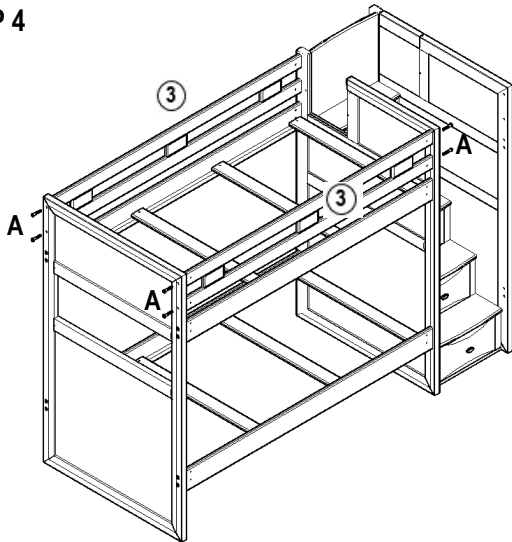
STEP 3



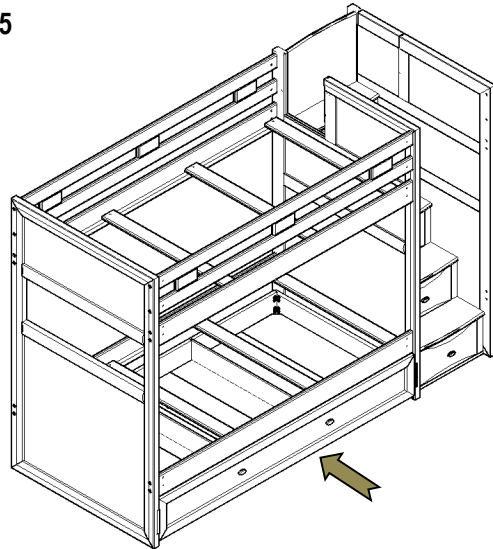
Repeat step 1 & 2 for top set of side rails.

# ASSEMBLY INSTRUCTIONS

## STEP 4



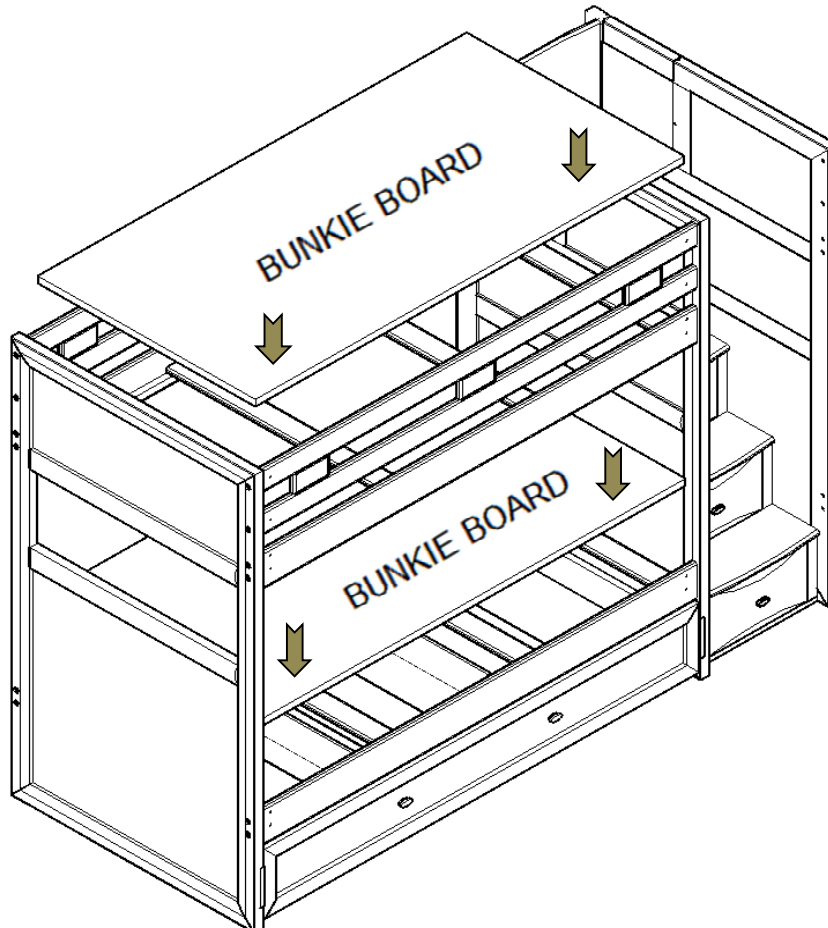
## STEP 5



Assemble guardrails and tighten all bolts.  
**MAKE SURE ALL BOLTS ARE TIGHTENED COMPLETELY**

For **optional** Trundle bed follow assembly instructions inside Trundle bed box, then slide under the bed as shown.

## STEP 6



**Place Bunkie boards (required, sold separately) on top of the slats**

**Use only correct mattress dimensions and Bunkie board:**

Twin size mattress- 74" - 75" long and 37-1/2" - 38-1/2" wide

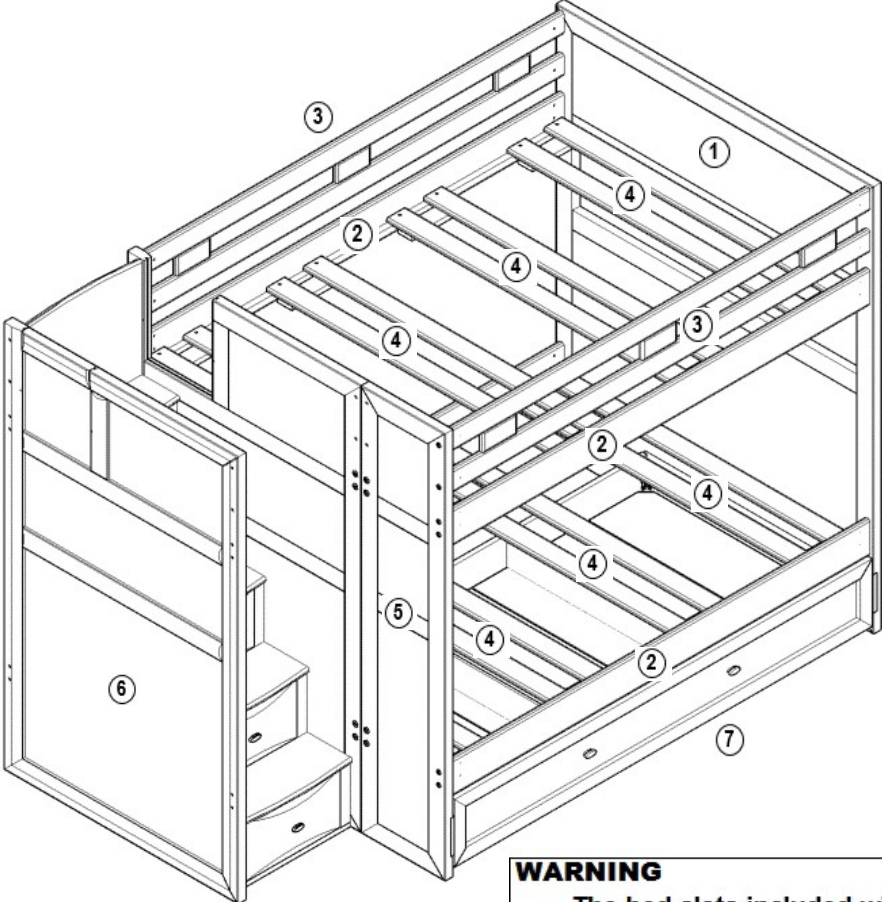
Twin size Bunkie board- 74" long and 37-1/2" wide

Full size mattress- 74" - 75" long and 52-1/2" - 53-1/2" wide

Full size Bunkie board- 74" long and 52-1/2" wide

PLEASE CONTACT YOUR RETAIL STORE WITH SERVICE OR PARTS REPLACEMENT REQUEST

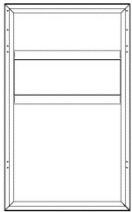
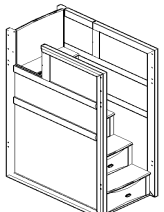



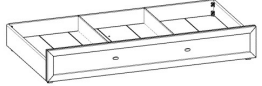




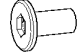
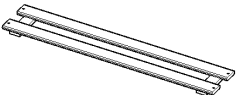

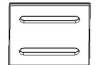
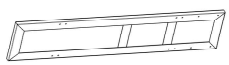
# PARTS LIST



3492360P FULL/FULL STEP BUNK WALNUT		
RTG SKU #	STYLE #	ITEM DESCRIPTION
35723609	3260160	STEP BUNK UNIT
35523605	3260704	FULL BUNKBED END
36423604	3260783	FULL/FULL EXT. KIT
36623608	3260730	4 SIDE RLS/2 GUARD RLS
38300238	100-648	FULL BUNK SLATS
38300238	100-648	FULL BUNK SLATS
35323601	3260744	TRUNDLE BED <b>OPTIONAL</b>

3491326P FULL/FULL STEP BUNK WHITE		
RTG SKU #	STYLE #	ITEM DESCRIPTION
35713266	3261160	STEP BUNK UNIT
35513262	3261704	FULL BUNKBED END
36413261	3261783	FULL/FULL EXT. KIT
36613265	3261730	4 SIDE RLS/2 GUARD RLS
38300238	100-648	FULL BUNK SLATS
38300238	100-648	FULL BUNK SLATS
35313268	3261744	TRUNDLE BED <b>OPTIONAL</b>

**WARNING**  
 The bed slats included with this bed will not support a mattress alone, this bed requires Bunkie boards (sold separately)

PARTS LIST		QTY	PARTS LIST		QTY	HARDWARE LIST		QTY	TOOLS NEEDED						
<b>1</b>		1 Pcs	<b>6</b>		1 Pc	<b>A</b>		24 Pcs	Phillips screwdriver (not included)						
	Twin bunk bed end			Step bunk unit											
<b>2</b>		4 Pcs	<b>7</b>		1 Pc	<b>B</b>		1 Pc	Allen wrench (included)						
	Side rails			Trundle bed (Optional)											
<b>3</b>		2 Pcs				<b>C</b>		16 Pcs							
	Guardrails						<b>D</b>					8 Pcs			
<b>4</b>		8 Pcs				<b>E</b>					8 Pcs				
	Slats						<b>F</b>					2 Pcs			
<b>5</b>		1 Pc				<p><b>TWO PEOPLE ARE NEEDED TO ASSEMBLE</b></p> <p><b>DO NOT TIGHTEN COMPLETELY UNTIL ALL PIECES ARE CONNECTED TOGETHER</b></p>									
	Ext. kit full/full														

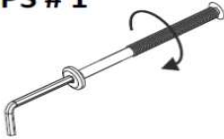


# ASSEMBLY INSTRUCTIONS

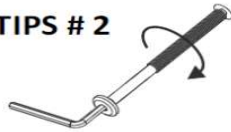
TIPS : SEE ILLUSTRATION BELOW

- 1- Use the long end of the allen wrench to fasten bolts loosely and quickly.
- 2- Use the short end of the allen wrench for final tightening

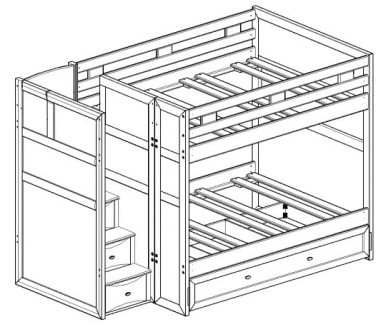
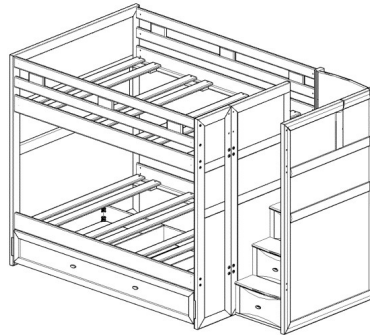
TIPS # 1



TIPS # 2



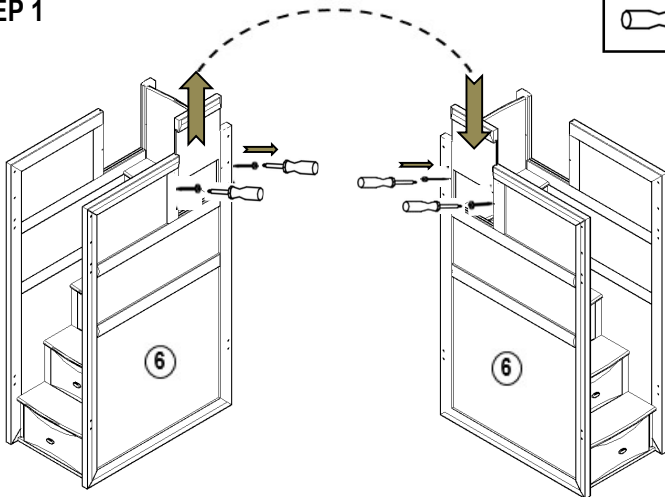
FIRST DETERMINE THE CONFIGURATION THAT FITS YOUR ROOM



STAIRS ON THE RIGHT  
(Factory setting)

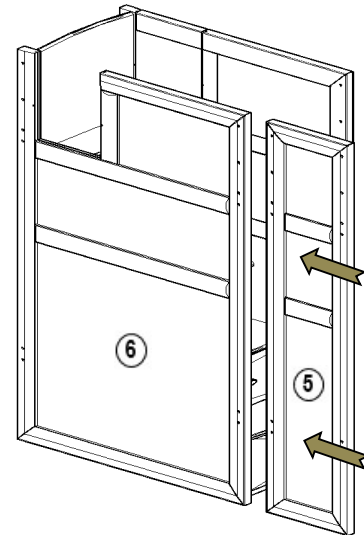
STAIRS ON THE LEFT

STEP 1



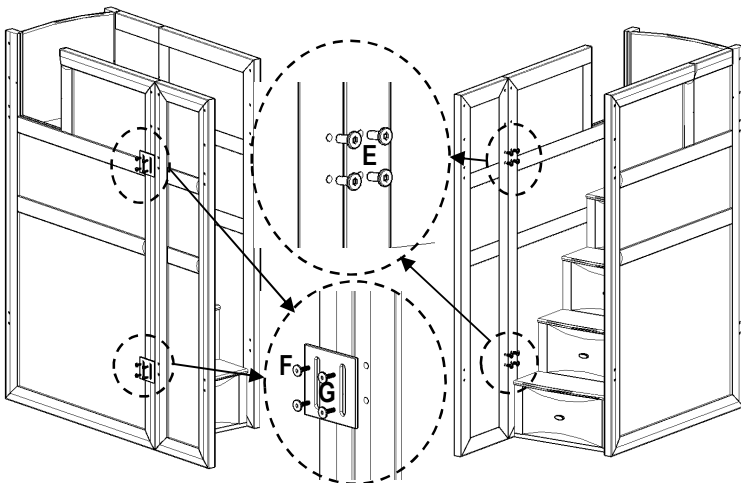
For stairs on the left, first remove the screws, then remove the panel and install it on the other side and secure with the screws.

STEP 2



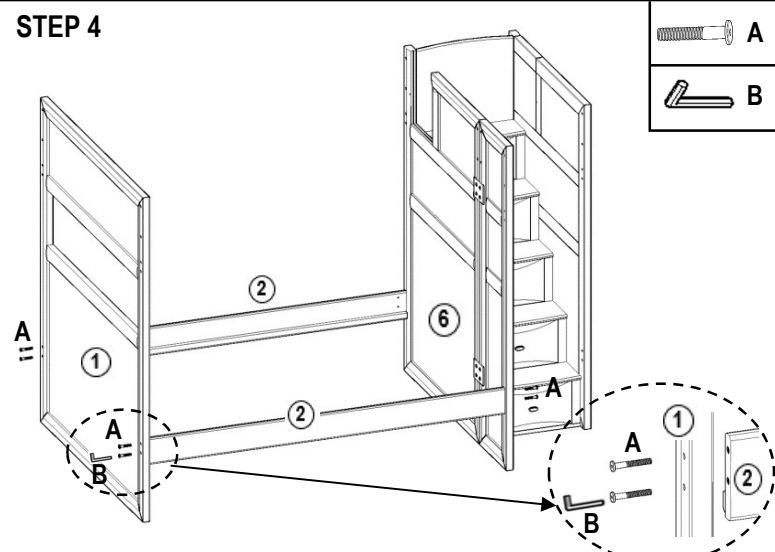
Assemble step bunk unit and extension kit, aligning inside and outside pattern and holes.

STEP 3



Fasten and make sure all bolts are tightened completely.

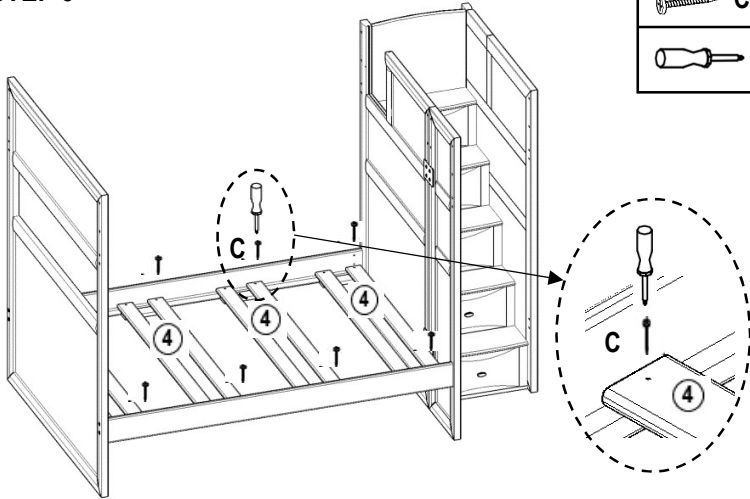
STEP 4



Assemble bottom side rails.

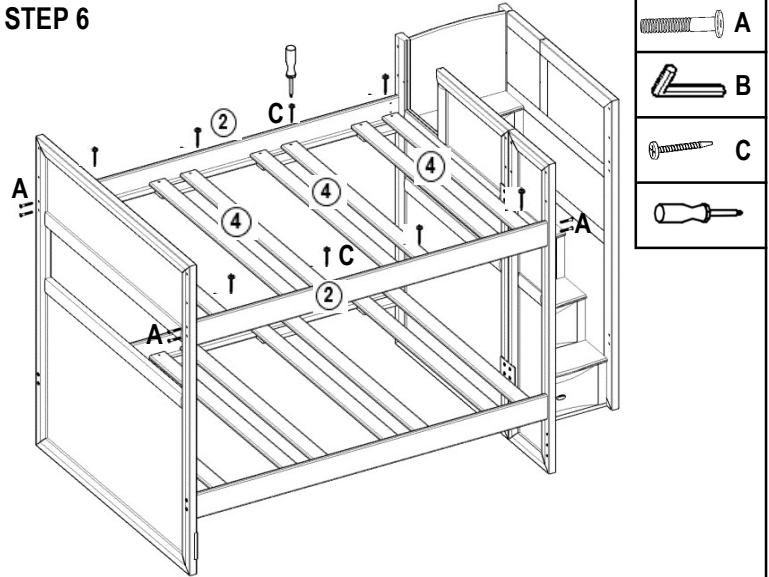
# ASSEMBLY INSTRUCTIONS

## STEP 5



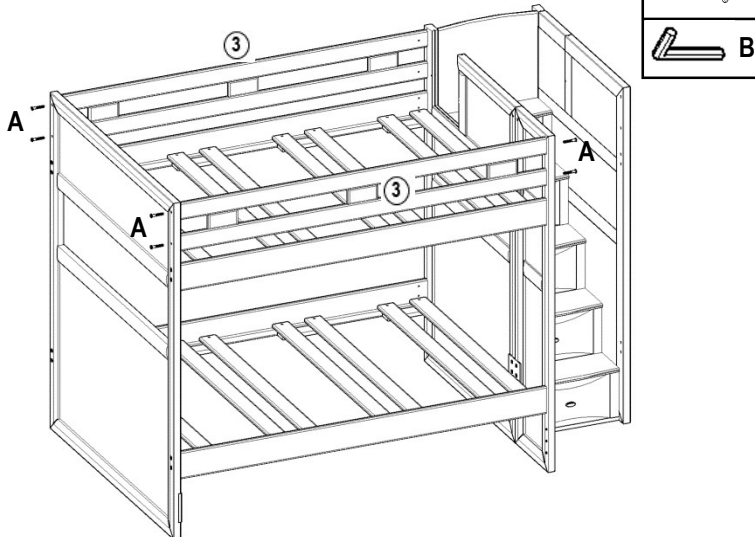
Install slats, one on each end, two equally spaced in the middle, then fasten with 1 1/4" screws.

## STEP 6



Repeat step 1 & 2 for top set of side rails

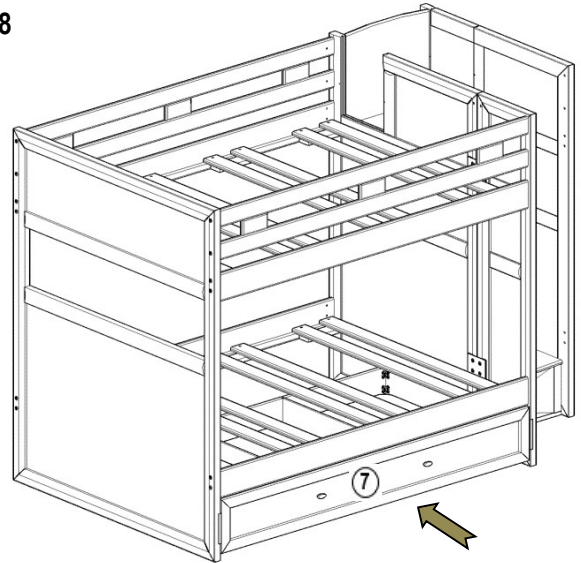
## STEP 7



Assemble guardrails and tighten all bolts.

**MAKE SURE ALL BOLTS ARE TIGHTENED COMPLETELY**

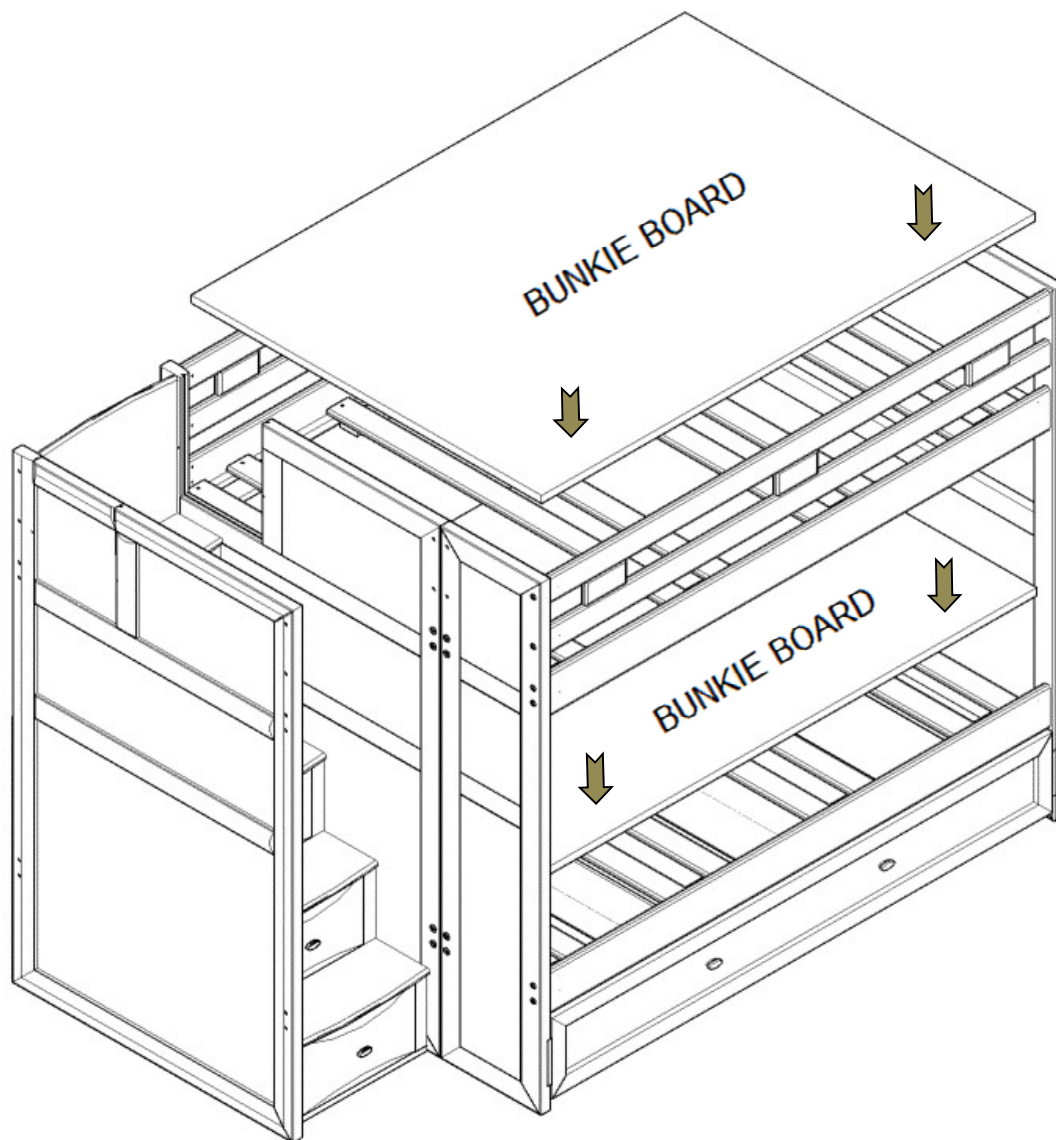
## STEP 8



For **optional** Trundle bed follow assembly instructions inside Trundle bed box, then slide under the bed as shown.

# ASSEMBLY INSTRUCTIONS

## STEP 9



**Place Bunkie boards (required, sold separately) on top of the slats**

**Use only correct mattress dimensions and Bunkie board:**

Twin size mattress- 74" - 75" long and 37-1/2" - 38-1/2" wide

Twin size Bunkie board- 74" long and 37-1/2" wide

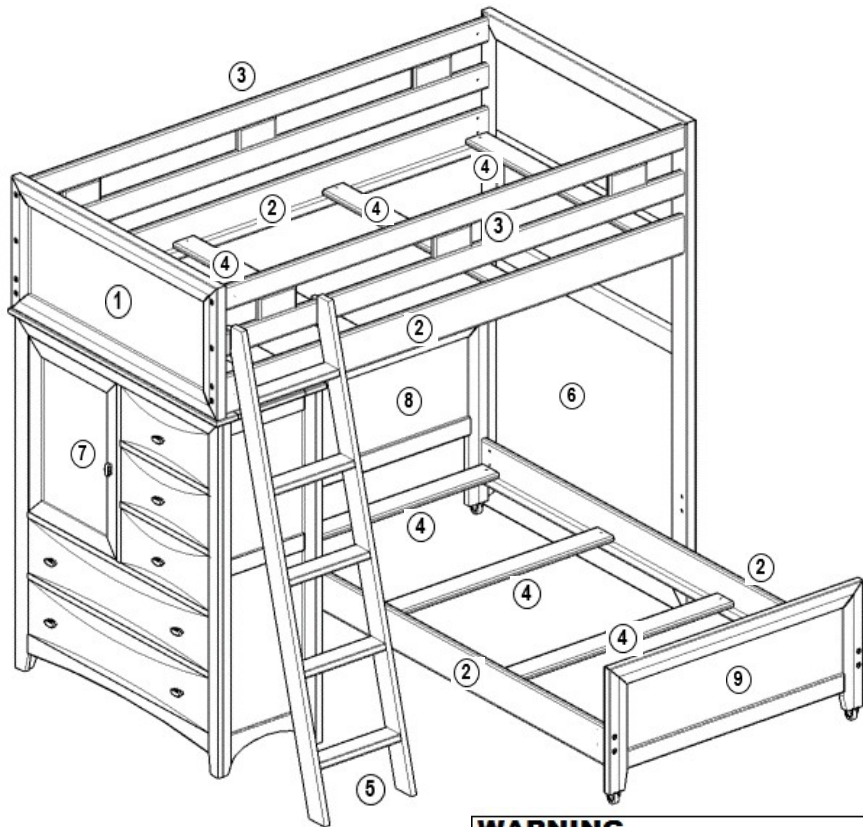
Full size mattress- 74" - 75" long and 52-1/2" - 53-1/2" wide

Full size Bunkie board- 74" long and 52-1/2" wide

PLEASE CONTACT YOUR RETAIL STORE WITH SERVICE OR PARTS REPLACEMENT REQUEST




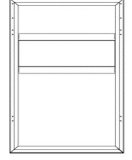









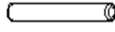
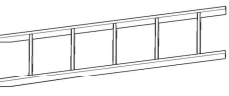


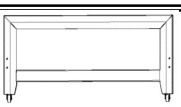
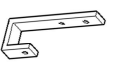
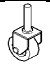
# PARTS LIST



3512360P TWIN/TWIN LOFT W/CHEST WALNUT		
RTG SKU #	STYLE #	ITEM DESCRIPTION
35423603	3260706	TWIN BUNKBED END
35623607	3260705	TWIN TOP BUNKBED END
36623608	3260730	4 SIDE RLS/2 GUARD RLS
35923603	3260711	5 DRW. LOFT CHEST
36223600	3260707	TWIN BOTTOM HD/FT
36723600	3260720	LADDER
38000232	100-645	TWIN SLAT PACK (4)
38000232	100-645	TWIN SLAT PACK (4)

3511326P TWIN/TWIN LOFT W/CHEST WHITE		
RTG SKU #	STYLE #	ITEM DESCRIPTION
35413260	3261706	TWIN BUNKBED END
35613264	3261705	TWIN TOP BUNKBED END
36613265	3261730	4 SIDE RLS/2 GUARD RLS
35913260	3261711	5 DRW. LOFT CHEST
36213267	3261707	TWIN BOTTOM HD/FT
36713267	3261720	LADDER
38000232	100-645	TWIN SLAT PACK (4)
38000232	100-645	TWIN SLAT PACK (4)

**WARNING**  
 The bed slats included with this bed will not support a mattress alone, this bed requires Bunkie boards (sold separately)

PARTS LIST		QTY	PARTS LIST		QTY	HARDWARE LIST		QTY	TOOLS NEEDED	
1		1 Pc	6		1 Pc	A		24 Pcs	Phillips screwdriver (not included) 	
2		4 Pc	Headboard/footboard			B		1 Pc	Allen wrench (included) 	
3		2 Pc	7		1 Pc	C		16 Pcs		
4		8 Pc	5 Drw Loft chest			D		2 Pcs		
5		1 Pc	8		1 Pc	E		6 Pcs		
			9		1 Pc	F		2 Pcs		
						G		4 Pcs		

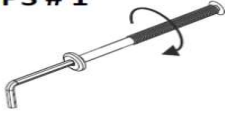
**TWO PEOPLE ARE NEEDED TO ASSEMBLE  
 DO NOT TIGHTEN COMPLETELY UNTIL ALL PIECES  
 ARE CONNECTED TOGETHER**

# ASSEMBLY INSTRUCTIONS

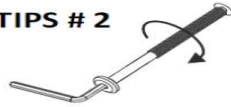
TIPS : SEE ILLUSTRATION BELOW

- 1- Use the long end of the allen wrench to fasten bolts loosely and quickly.
- 2- Use the short end of the allen wrench for final tightening

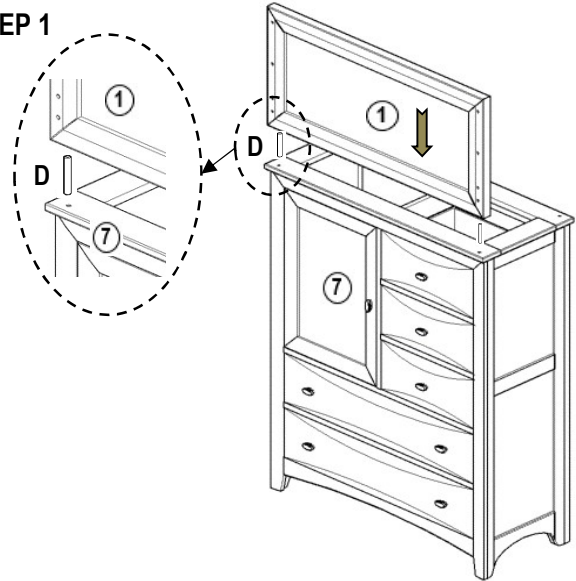
TIPS # 1



TIPS # 2

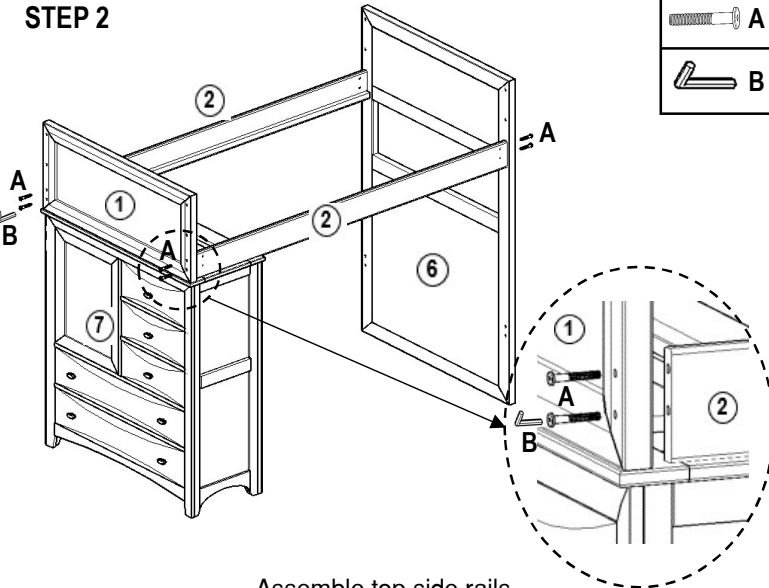


STEP 1



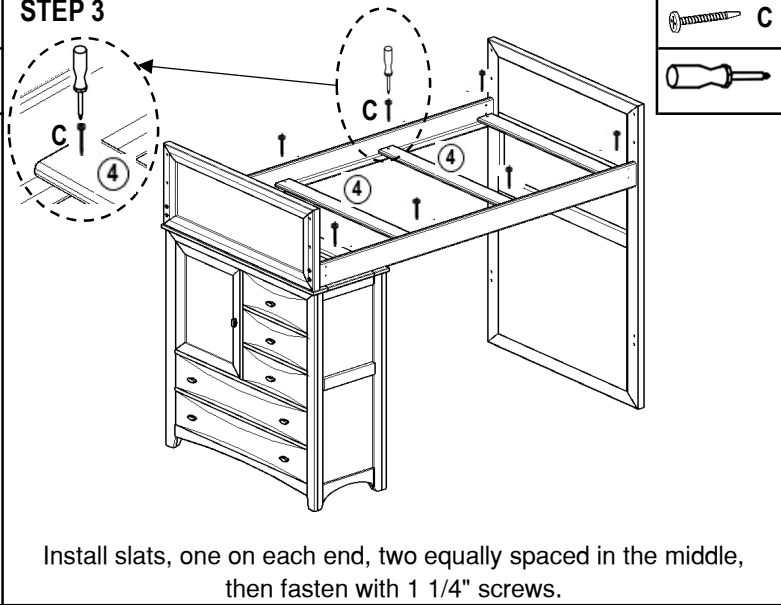
Assemble loft chest and top bunk bed end.

STEP 2



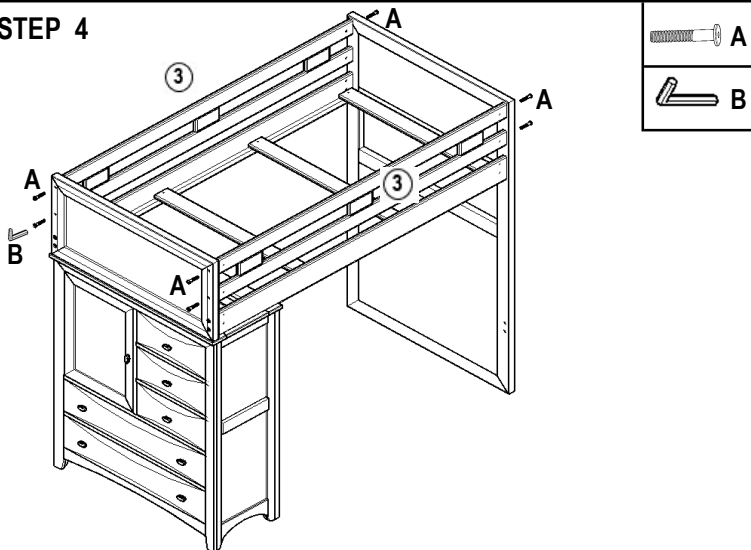
Assemble top side rails.

STEP 3



Install slats, one on each end, two equally spaced in the middle, then fasten with 1 1/4" screws.

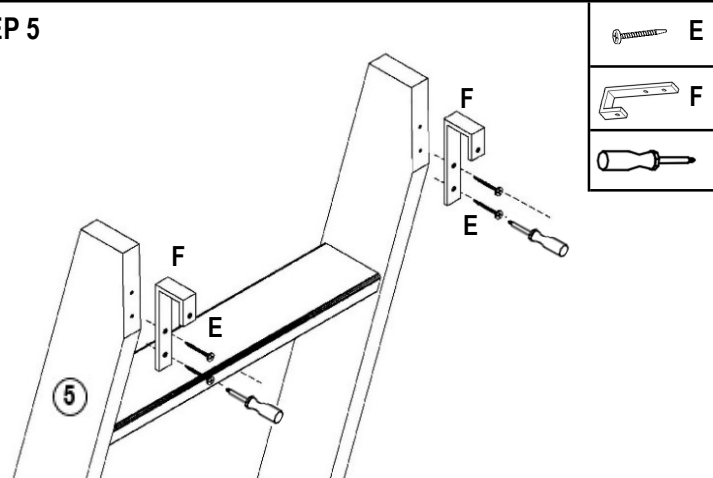
STEP 4



Assemble guardrails and tighten all bolts.

**MAKE SURE ALL BOLTS ARE TIGHTENED COMPLETELY**

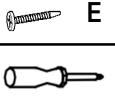
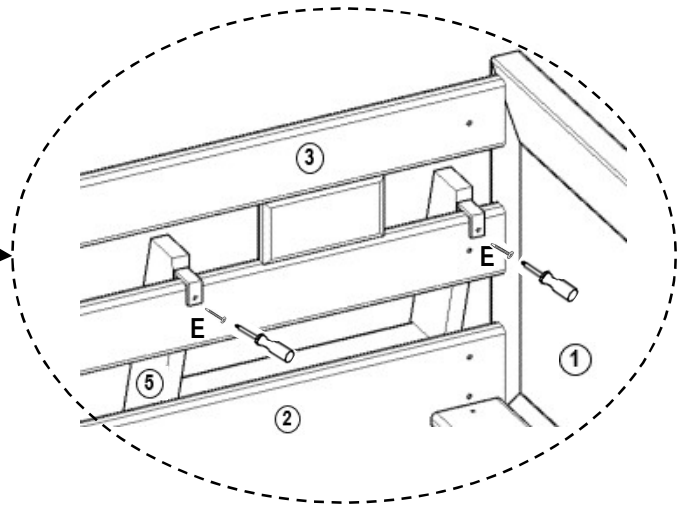
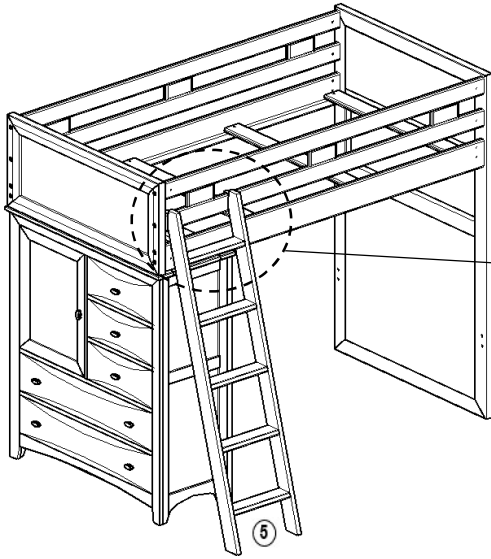
STEP 5



Screw ladder hooks to pre-drilled holes on top of ladder.

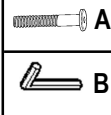
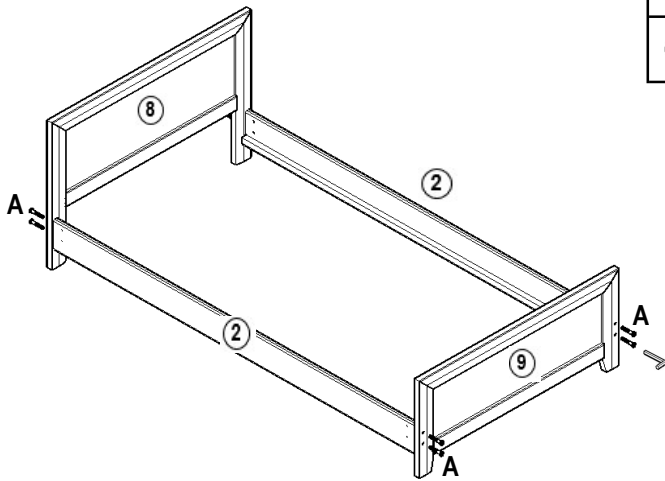
# ASSEMBLY INSTRUCTIONS

## STEP 6



Screw ladder to guardrail as shown.

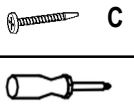
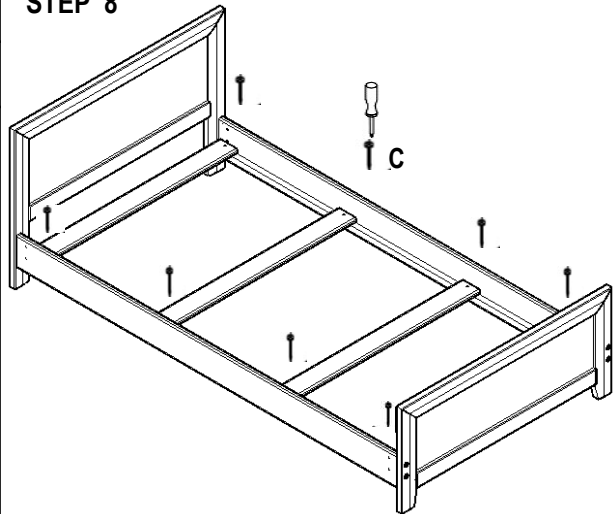
## STEP 7



Assemble side rails

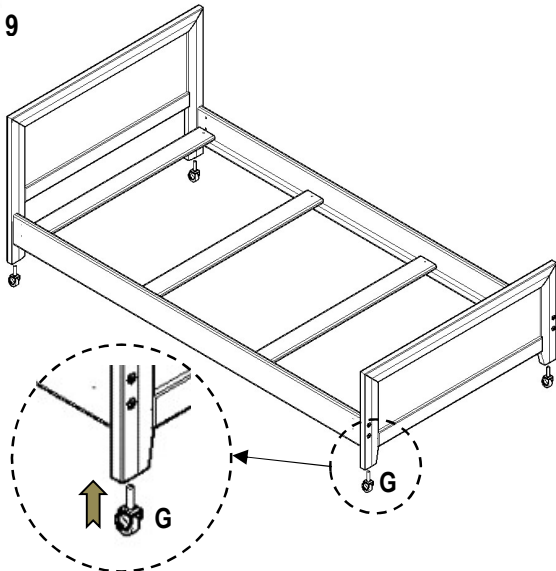
**MAKE SURE ALL BOLTS ARE TIGHTENED COMPLETELY**

## STEP 8



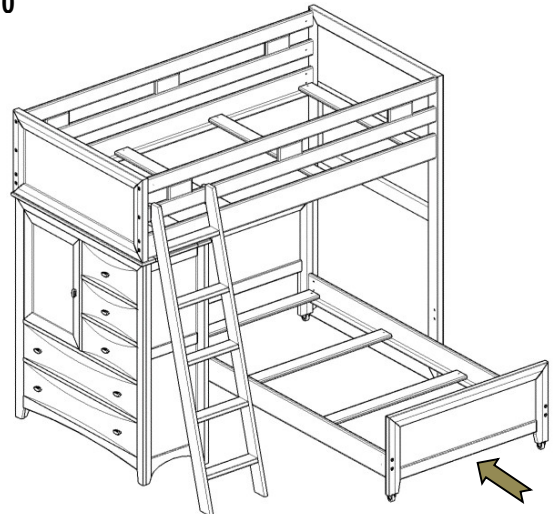
Install slats, one on each end and two equally spaced in the middle, then fasten with 1 1/4" screws.

## STEP 9



Install casters in headboard and footboard

## STEP 10

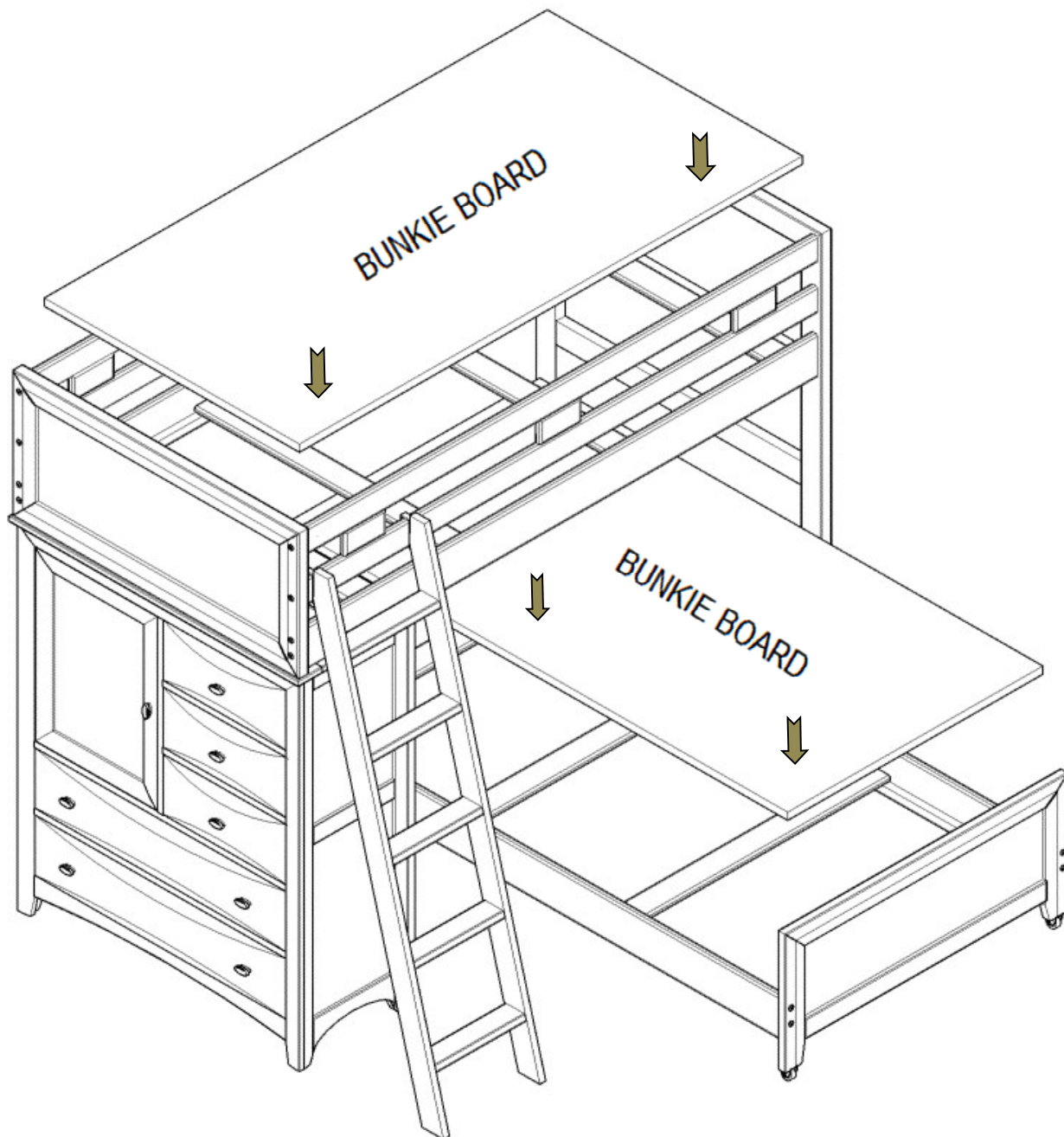


Slide Caster bed under Loft bed as shown.



# ASSEMBLY INSTRUCTIONS

## STEP 11



**Place Bunkie boards (required, sold separately) on top of the slats**

**Use only correct mattress dimensions and Bunkie board:**

Twin size mattress- 74" - 75" long and 37-1/2" - 38-1/2" wide

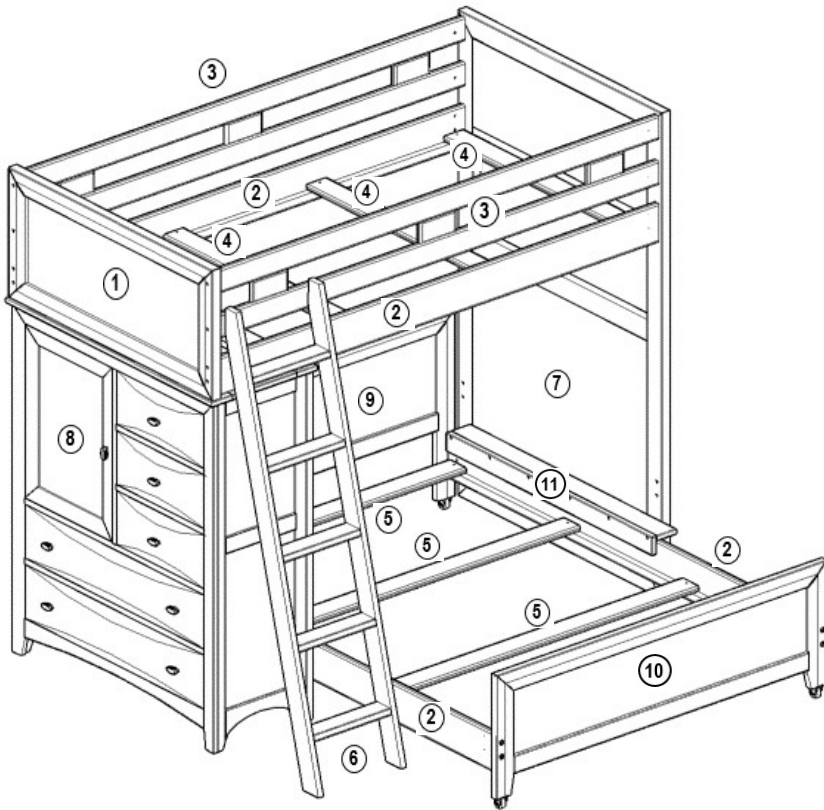
Twin size Bunkie board- 74" long and 37-1/2" wide

Full size mattress- 74" - 75" long and 52-1/2" - 53-1/2" wide

Full size Bunkie board- 74" long and 52-1/2" wide

PLEASE CONTACT YOUR RETAIL STORE WITH SERVICE OR PARTS REPLACEMENT REQUEST













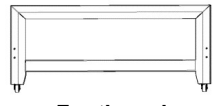
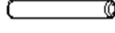

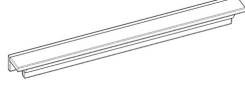

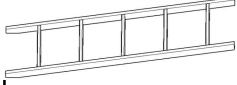


# PARTS LIST



3522360P TWIN/FULL LOFT W/CHEST WALNUT		
RTG SKU #	STYLE #	ITEM DESCRIPTION
35423603	3260706	TWIN BUNKBED END
35623607	3260705	TWIN TOP BUNKBED END
36623608	3260730	4 SIDE RLS/2 GUARD RLS
35923603	3260711	5 DRW. LOFT CHEST
36323602	3260709	FULL BOTTOM HD/FT
36723600	3260720	LADDER
36823602	3260735	TWIN RAIL CUP
38000232	100-645	TWIN SLAT PACK (4)
38100234	100-646	FULL SLAT PACK (4)

3521326P TWIN/FULL LOFT W/CHEST WHITE		
RTG SKU #	STYLE #	ITEM DESCRIPTION
35413260	3261706	TWIN BUNKBED END
35613264	3261705	TWIN TOP BUNKBED END
36613265	3261730	4 SIDE RLS/2 GUARD RLS
35913260	3261711	5 DRW. LOFT CHEST
36313269	3261709	FULL BOTTOM HD/FT
36713267	3261720	LADDER
36813269	3261735	TWIN RAIL CUP
38000232	100-645	TWIN SLAT PACK (4)
38100234	100-646	FULL SLAT PACK (4)

**WARNING**  
The bed slats included with this bed will not support a mattress alone, this bed requires Bunkie boards (sold separately)

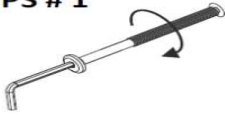
PARTS LIST		QTY	PARTS LIST		QTY	HARDWARE LIST		QTY	TOOLS NEEDED		
1		1 Pc	7		1 Pc	A		24 Pcs	Phillips screwdriver (not included) 		
2		4 Pc	8		1 Pc	B		1 Pc	Allen wrench (included) 		
3		2 Pc	9		1 Pc	C		16 Pcs			
4		4 Pc	10		1 Pc	D		2 Pcs			
5		4 Pc	11		1 Pc	E		6 Pcs			
6		1 Pc				F		2 Pcs			
						G		4 Pcs			
						<b>TWO PEOPLE ARE NEEDED TO ASSEMBLE DO NOT TIGHTEN COMPLETELY UNTIL ALL PIECES ARE CONNECTED TOGETHER</b>					

# ASSEMBLY INSTRUCTIONS

TIPS : SEE ILLUSTRATION BELOW

- 1- Use the long end of the allen wrench to fasten bolts loosely and quickly.
- 2- Use the short end of the allen wrench for final tightening

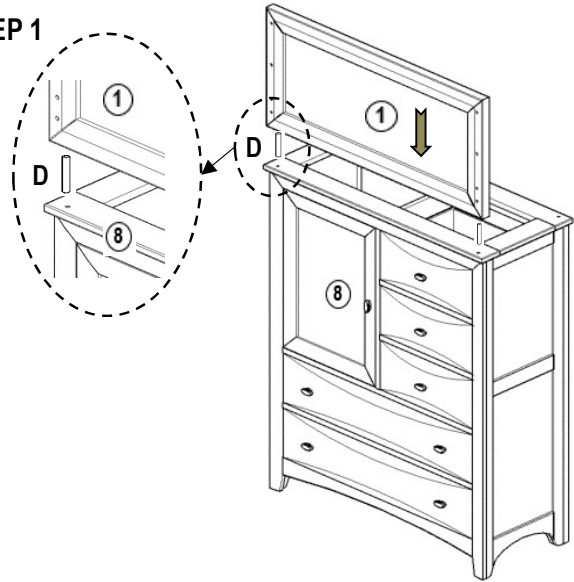
TIPS # 1



TIPS # 2



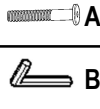
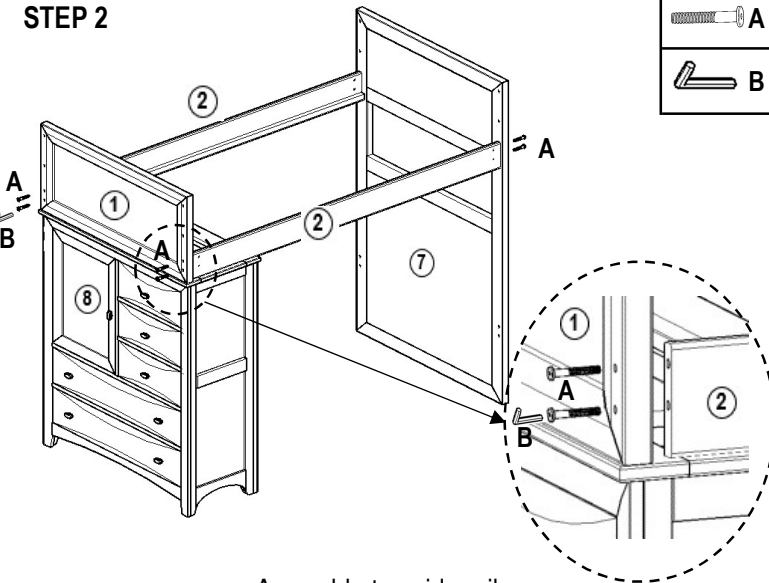
STEP 1



D

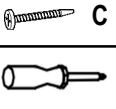
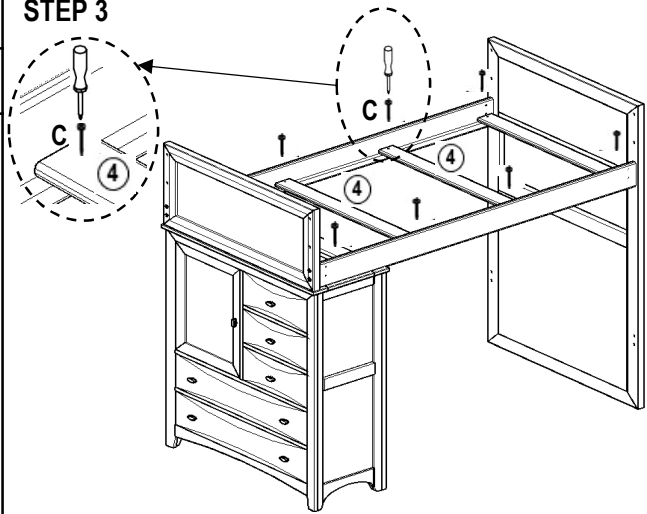
Assemble left chest and top bunk bed end.

STEP 2



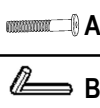
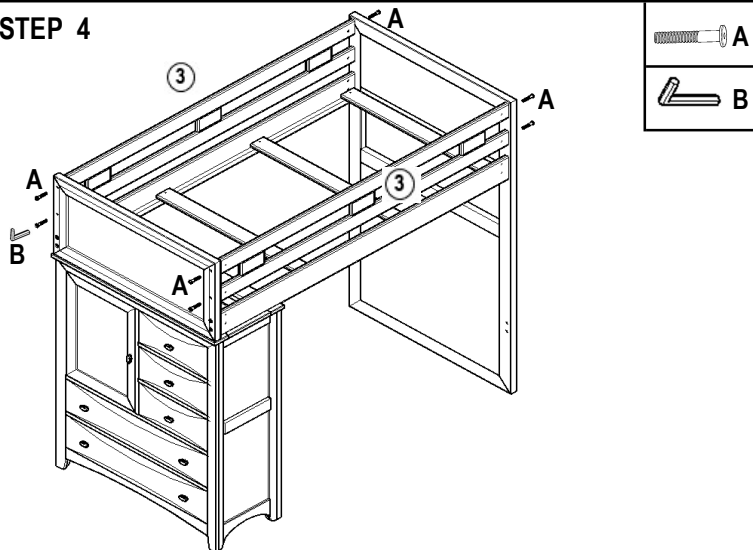
Assemble top side rails.

STEP 3



Install slats, one on each end, two equally spaced in the middle, then fasten with 1 1/4" screws.

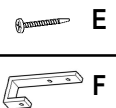
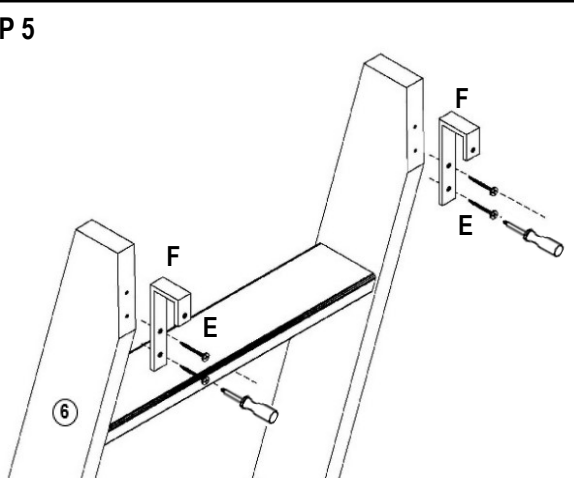
STEP 4



Assemble guardrails and tighten all bolts.

**MAKE SURE ALL BOLTS ARE TIGHTENED COMPLETELY**

STEP 5

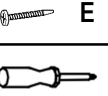
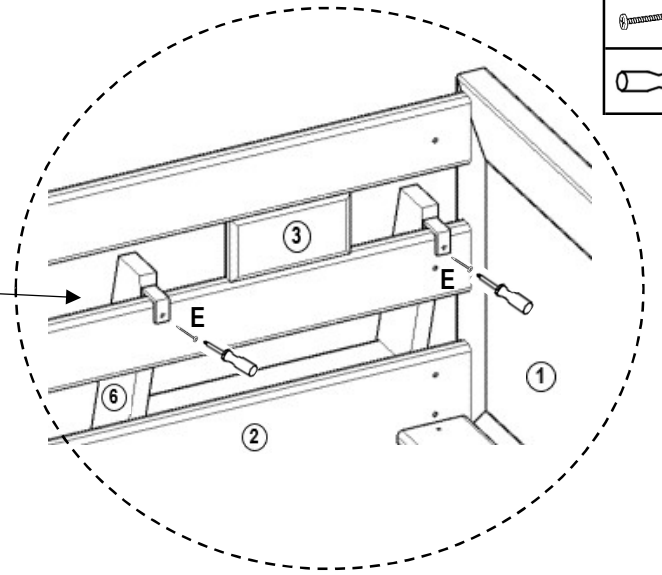
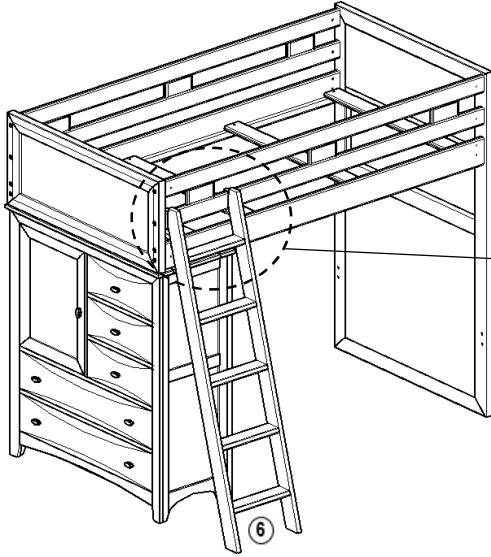


Screw ladder hooks to pre-drilled holes on top of ladder.



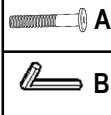
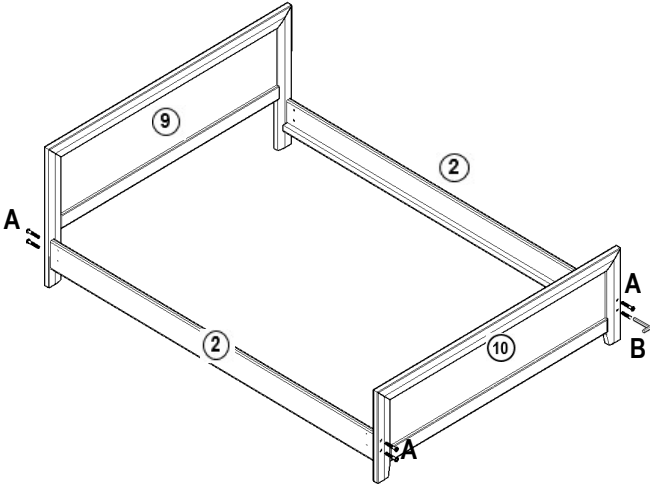
# ASSEMBLY INSTRUCTIONS

## STEP 6



Screw ladder to guardrail as shown.

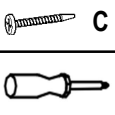
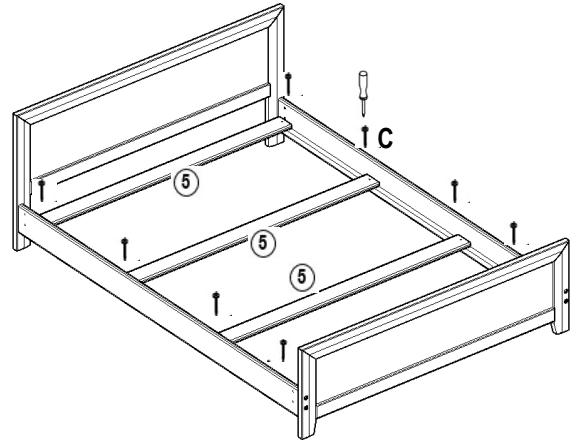
## STEP 7



Assemble side rails

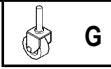
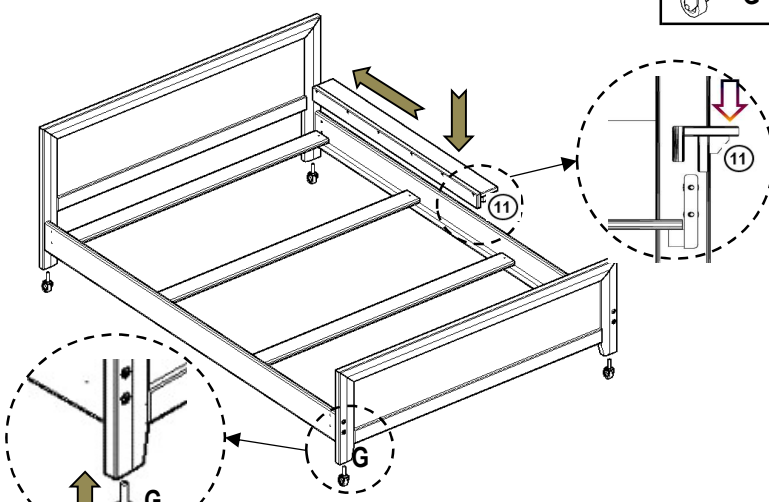
**MAKE SURE ALL BOLTS ARE TIGHTENED COMPLETELY**

## STEP 8



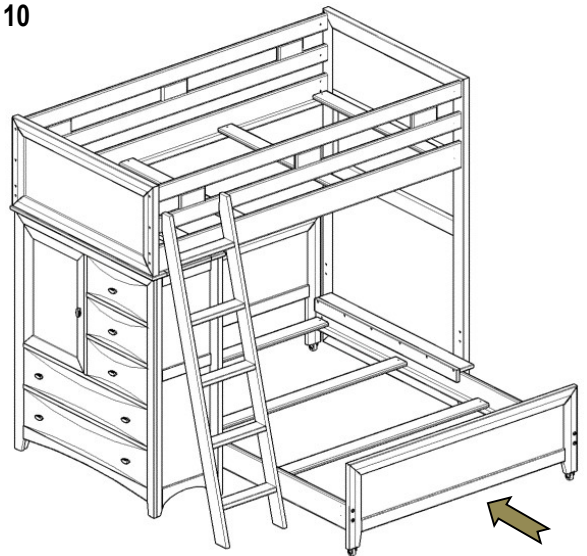
Install slats, one on each end and two equally spaced in the middle, then fasten with 1 1/4" screws

## STEP 9



Install casters in headboard and footboard, and set rail cup.

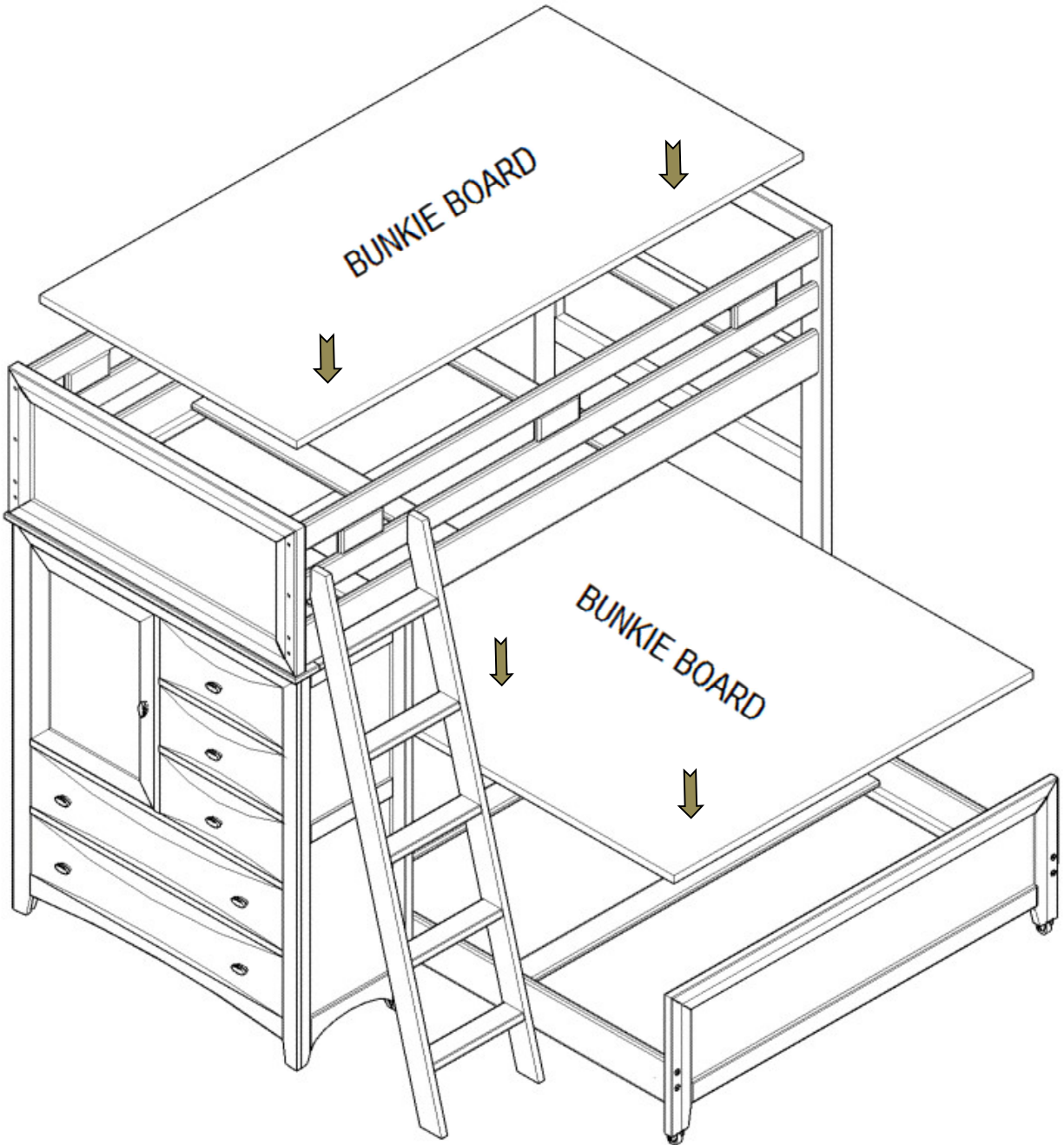
## STEP 10



Slide Caster bed under Loft bed as shown.

# ASSEMBLY INSTRUCTIONS

## STEP 11



**Place Bunkie boards (required, sold separately) on top of the slats**

**Use only correct mattress dimensions and Bunkie board:**

Twin size mattress- 74" - 75" long and 37-1/2" - 38-1/2" wide

Twin size Bunkie board- 74" long and 37-1/2" wide

Full size mattress- 74" - 75" long and 52-1/2" - 53-1/2" wide

Full size Bunkie board- 74" long and 52-1/2" wide

PLEASE CONTACT YOUR RETAIL STORE WITH SERVICE OR PARTS REPLACEMENT REQUEST

# PARTS LIST



### 3532360P TWIN/TWIN LOFT W/2 CHEST WALNUT

RTG SKU #	STYLE #	ITEM DESCRIPTION
35623607	3260705	TWIN TOP BUNKBED END
35623607	3260705	TWIN TOP BUNKBED END
36623608	3260730	4 SIDE RLS/2 GUARD RLS
35923603	3260711	5 DRW. LOFT CHEST
35923603	3260711	5 DRW. LOFT CHEST
36723600	3260720	LADDER
36223600	3260707	TWIN BOTTOM HD/FT
38000232	100-645	TWIN SLAT PACK (4)
38000232	100-645	TWIN SLAT PACK (4)
36123608	3260601	FOLDING DESK (OPTIONAL)

### 3531326P TWIN/TWIN LOFT W/2 CHEST WHITE

RTG SKU #	STYLE #	ITEM DESCRIPTION
35613264	3261705	TWIN TOP BUNKBED END
35613264	3261705	TWIN TOP BUNKBED END
36613265	3261730	4 SIDE RLS/2 GUARD RLS
35913260	3261711	5 DRW. LOFT CHEST
35913260	3261711	5 DRW. LOFT CHEST
36713267	3261720	LADDER
36213267	3261707	TWIN BOTTOM HD/FT
38000232	100-645	TWIN SLAT PACK (4)
38000232	100-645	TWIN SLAT PACK (4)
36113265	3261601	FOLDING DESK (OPTIONAL)

### WARNING

The bed slats included with this bed will not support a mattress alone, this bed requires Bunkie boards (sold separately)

PARTS LIST	QTY	PARTS LIST	QTY	HARDWARE LIST	QTY	TOOLS NEEDED									
1  Twin top bunkbed end	2 Pc	6  5 Drw Loft chest	2 Pc	A  50 mm Bolts	24 Pcs	Phillips screwdriver (not included) 									
2  Side rails	4 Pc	7  Headboard	1 Pc	B  Allen wrench	1 Pc	Allen wrench (included) 									
3  Guardrails	2 Pc	8  Footboard	1 Pc	C  1 1/4" Screws	16 Pcs	<table border="1" style="width: 100%; border-collapse: collapse;"> <thead> <tr> <th colspan="3" style="text-align: center;">FOLDING DESK HARDWARE</th> </tr> </thead> <tbody> <tr> <td style="text-align: center;">C</td> <td style="text-align: center;"></td> <td style="text-align: center;">2 Pcs</td> </tr> <tr> <td style="text-align: center;">H</td> <td style="text-align: center;"></td> <td style="text-align: center;">1 Pcs</td> </tr> </tbody> </table>	FOLDING DESK HARDWARE			C		2 Pcs	H		1 Pcs
FOLDING DESK HARDWARE															
C		2 Pcs													
H		1 Pcs													
4  Slats	8 Pc			D  Metal pin	4 Pcs										
5  Ladder	1 Pc			E  1" Screws	6 Pcs										
				F  Ladder hook	2 Pcs										
				G  Casters	4 Pcs										

TWO PEOPLE ARE NEEDED TO ASSEMBLE  
DO NOT TIGHTEN COMPLETELY UNTIL ALL PIECES  
ARE CONNECTED TOGETHER

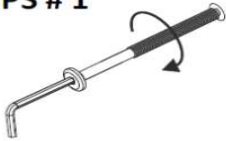


# ASSEMBLY INSTRUCTIONS

TIPS : SEE ILLUSTRATION BELOW

- 1- Use the long end of the allen wrench to fasten bolts loosely and quickly.
- 2- Use the short end of the allen wrench for final tightening

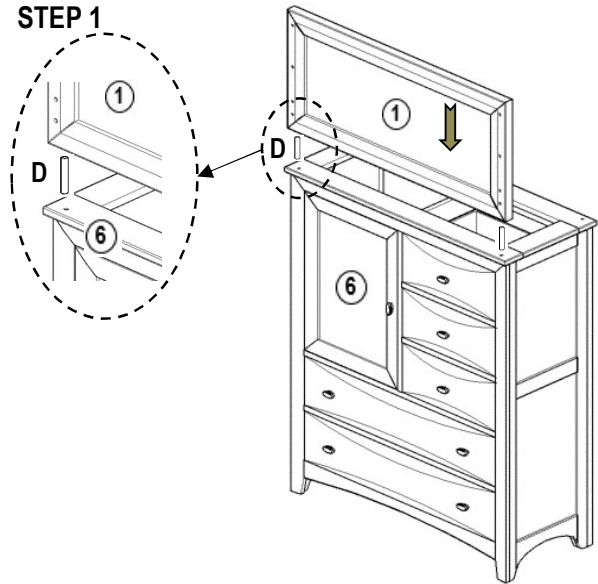
TIPS # 1



TIPS # 2

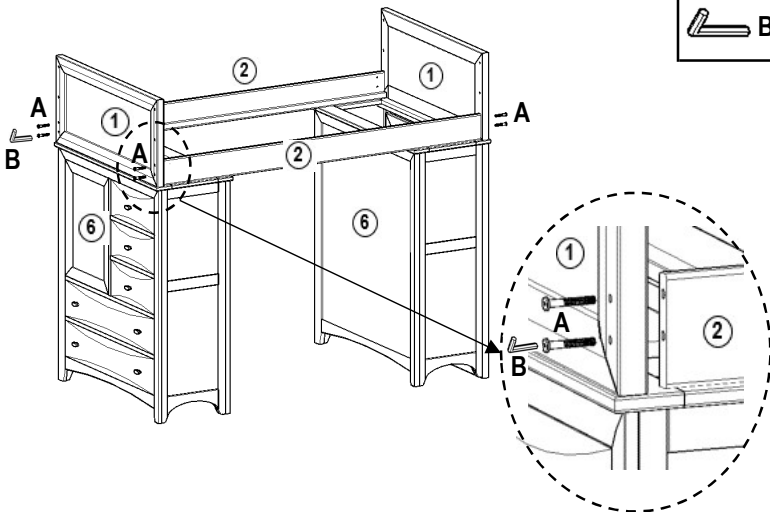


STEP 1



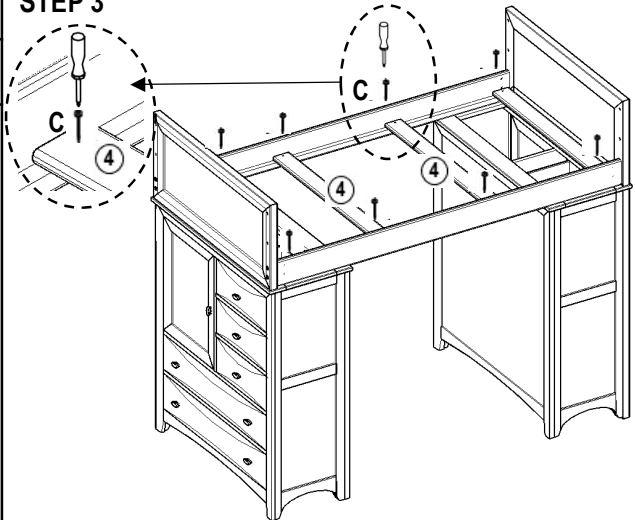
Assemble 2 sets of loft chest and top bunk bed ends.

STEP 2



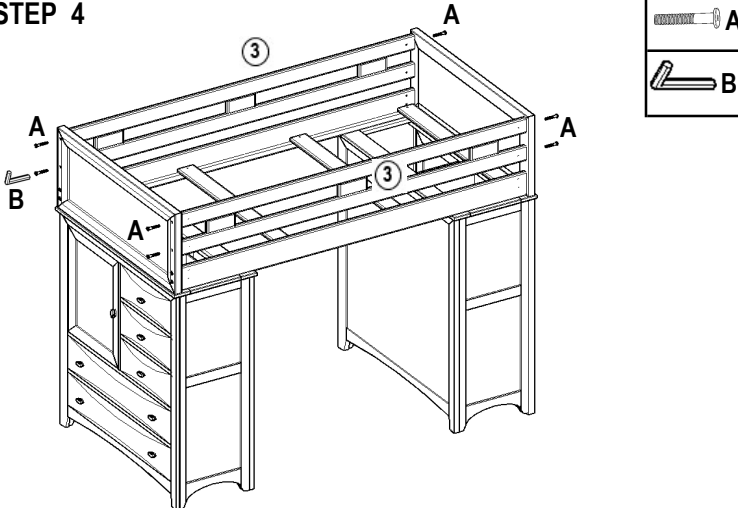
Assemble top side rails.

STEP 3



Install slats, one on each end, two equally spaced in the middle, then fasten with 1 1/4" screws.

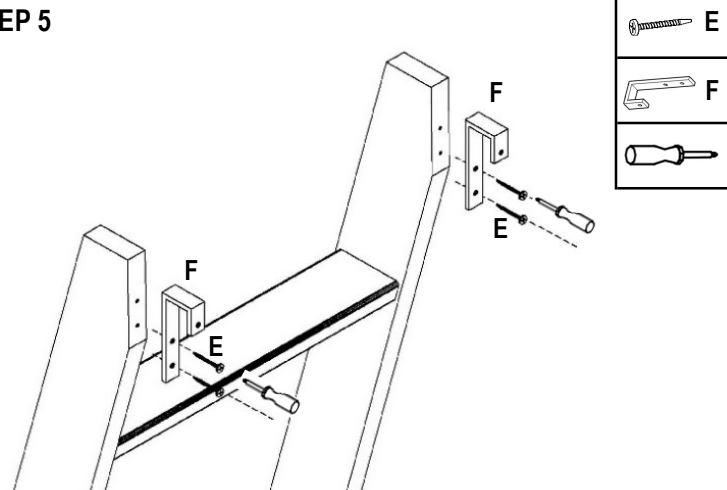
STEP 4



Assemble guardrails and tighten all bolts.

**MAKE SURE ALL BOLTS ARE TIGHTENED COMPLETELY**

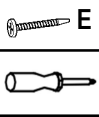
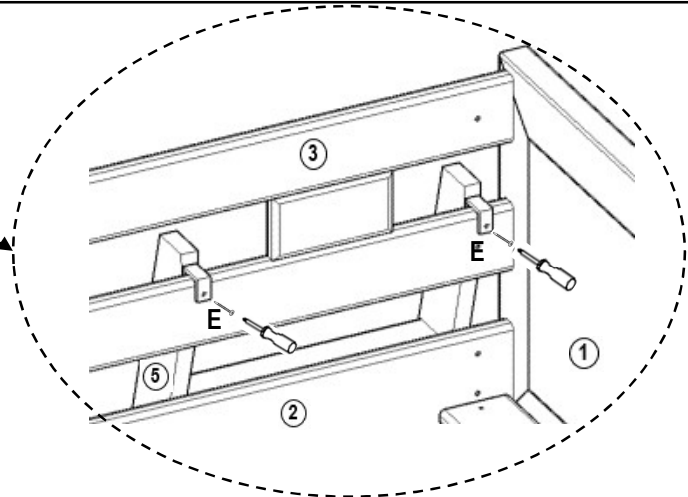
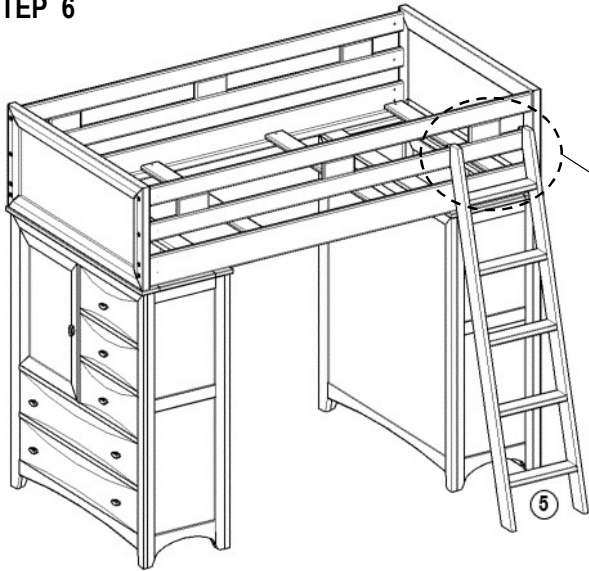
STEP 5



Screw ladder hooks to pre-drilled holes on top of ladder.

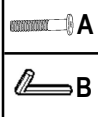
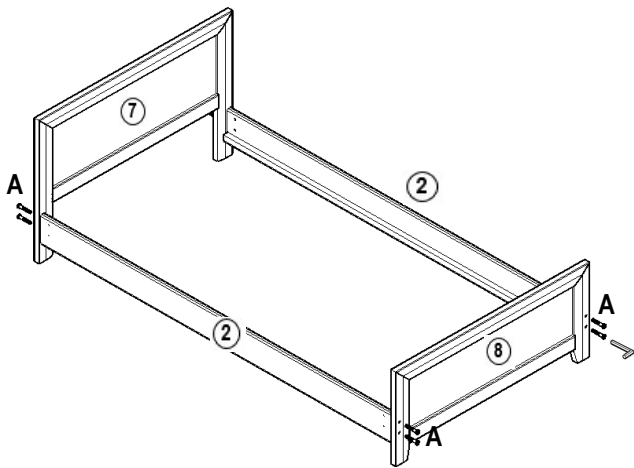
# ASSEMBLY INSTRUCTIONS

## STEP 6



Screw ladder to guardrail as shown.

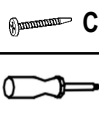
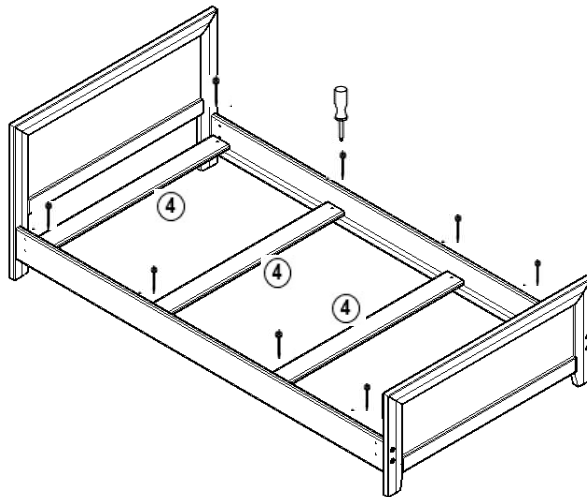
## STEP 7



Assemble side rails

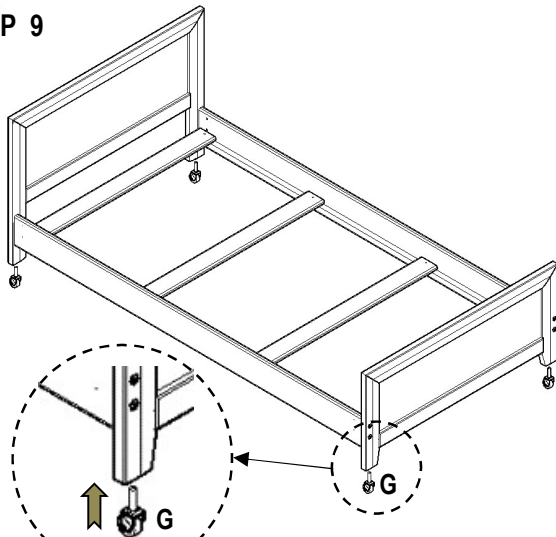
**MAKE SURE ALL BOLTS ARE TIGHTENED COMPLETELY**

## STEP 8



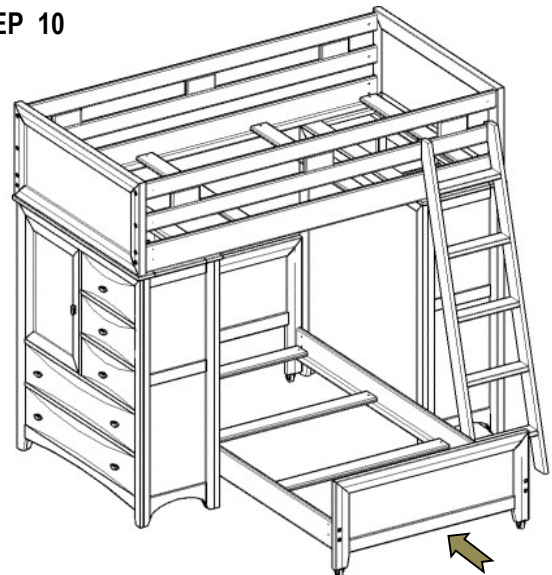
Install slats, one on each end and two equally spaced in the middle, then fasten with 1 1/4" screws

## STEP 9

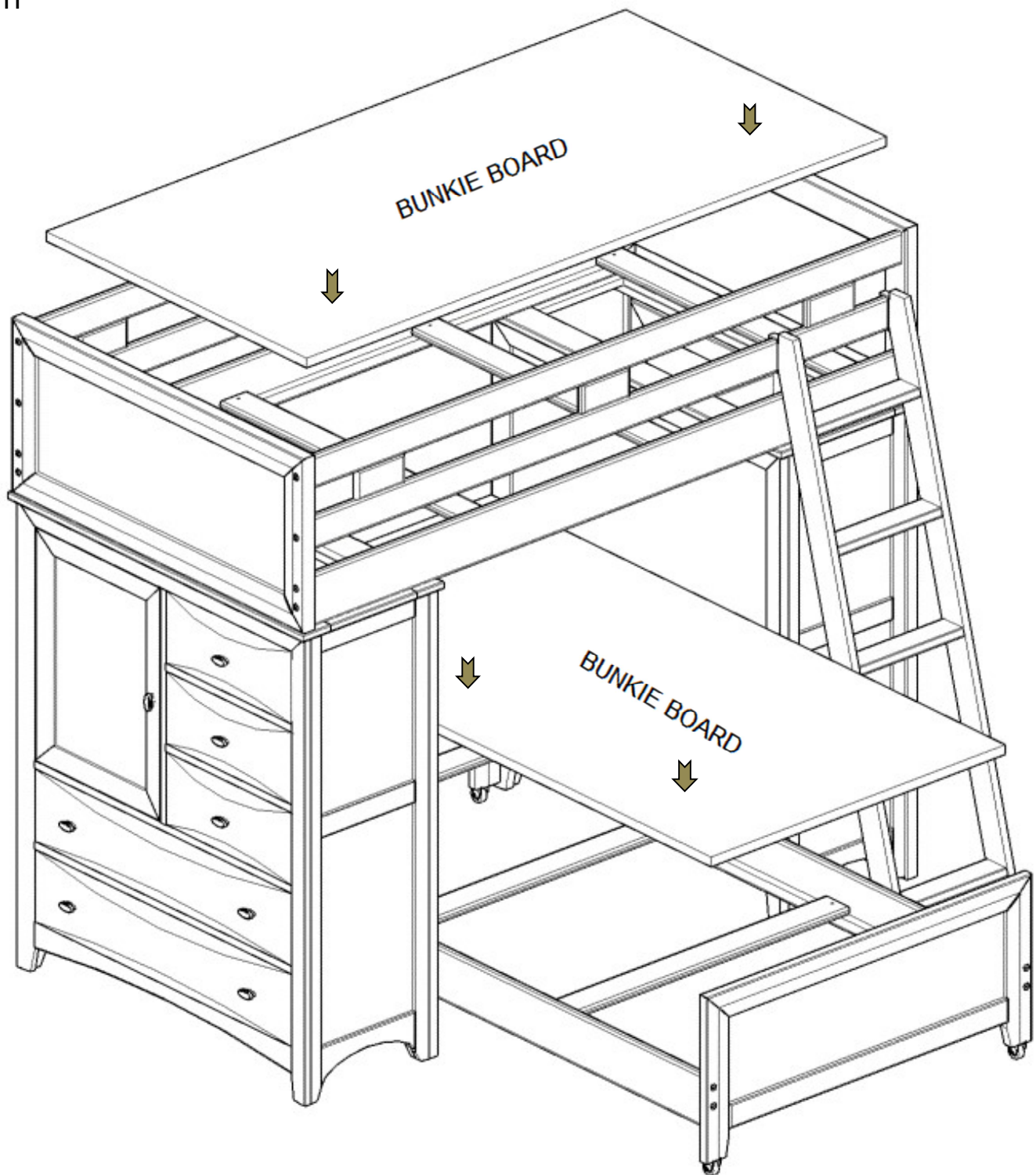


Install casters in headboard and footboard

## STEP 10



Slide Caster bed under Loft bed as shown.



**Place Bunkie boards (required, sold separately) on top of the slats**

**Use only correct mattress dimensions and Bunkie board:**

Twin size mattress- 74" - 75" long and 37-1/2" - 38-1/2" wide

Twin size Bunkie board- 74" long and 37-1/2" wide

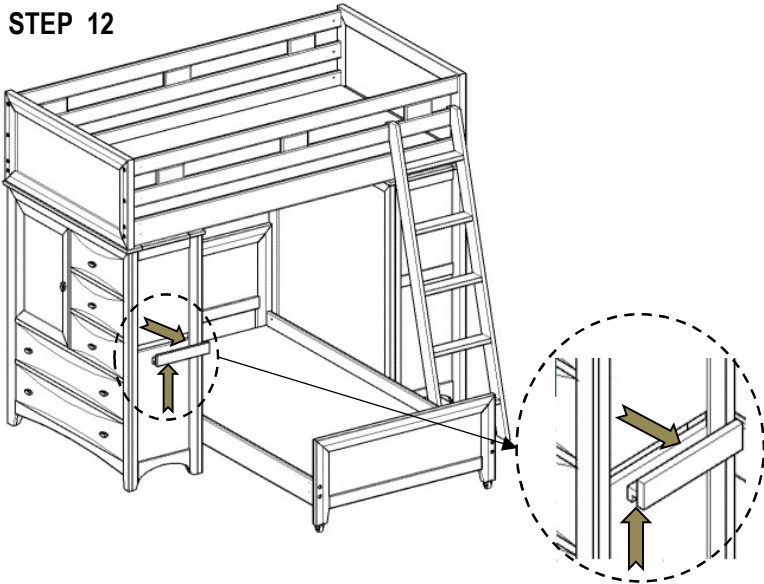
Full size mattress- 74" - 75" long and 52-1/2" - 53-1/2" wide

Full size Bunkie board- 74" long and 52-1/2" wide



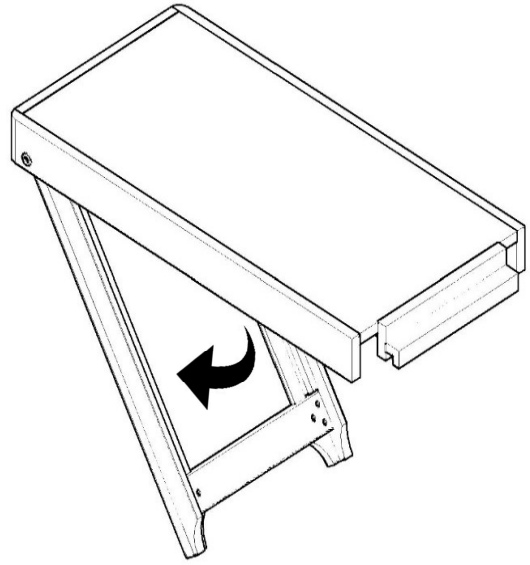
# ASSEMBLY INSTRUCTIONS

## STEP 12



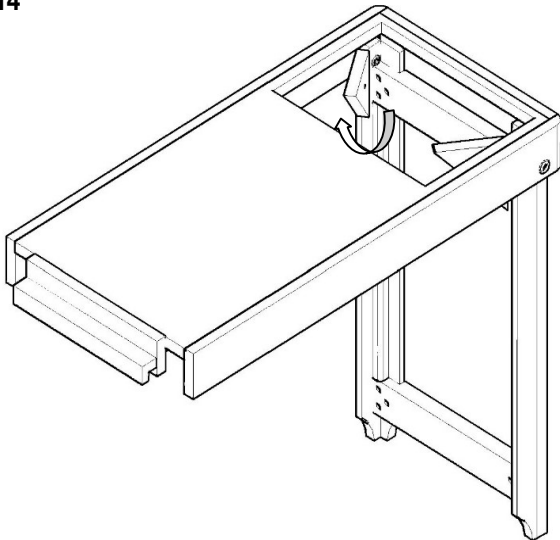
Remove center molding by lifting up then pulling out

## STEP 13



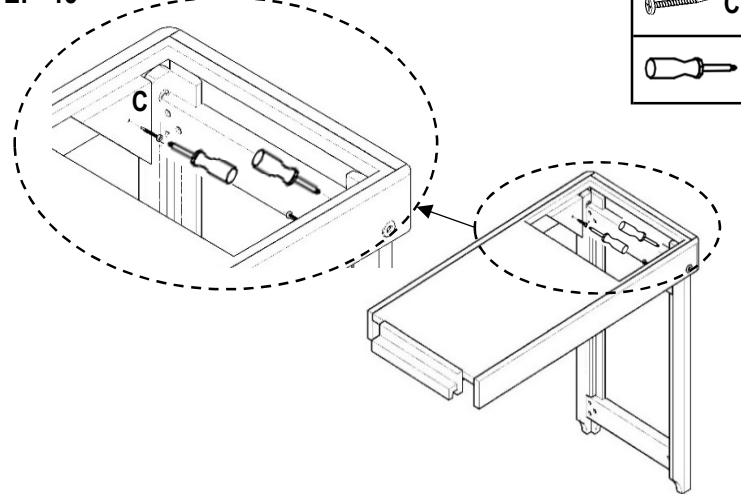
Unfold desk leg and look for hardware pack inside desk box.

## STEP 14



Unfold corner supports.

## STEP 15



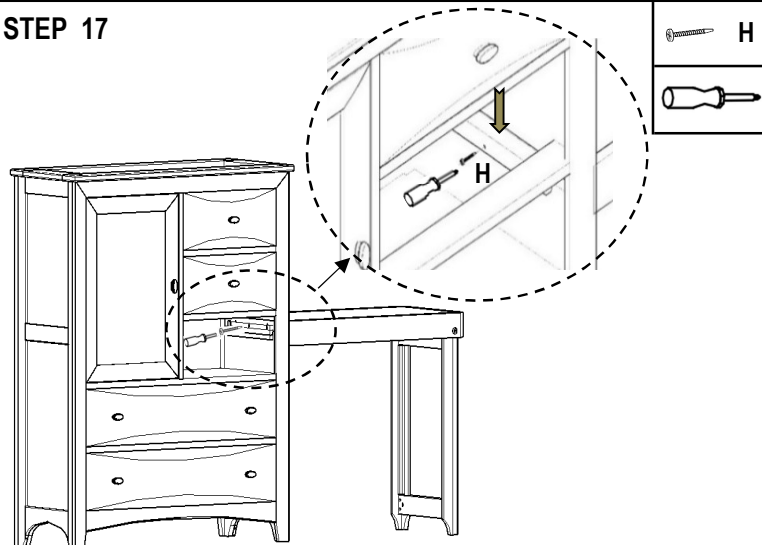
Secure each corner block with 1 1/4" screw (from desk box hardware pack) in the pre-bore hole.

## STEP 16



Place folding desk by sliding into the opening of loft chest then push down.

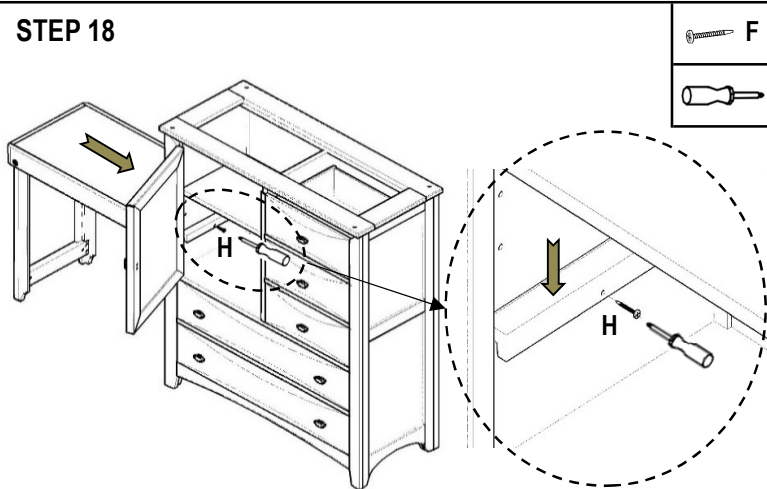
## STEP 17



**For desk on the right** remove third drawer, and secure desk with one 3/4" screw (from desk box hardware pack).

# ASSEMBLY INSTRUCTIONS

## STEP 18



**For desk on the left, open the door and secure it with one 3/4" screw (from desk box hardware pack).**

## STEP 19



**Place Bunkie boards (required, sold separately) on top of the slats**

**Use only correct mattress dimensions and Bunkie board:**

Twin size mattress- 74" - 75" long and 37-1/2" - 38-1/2" wide

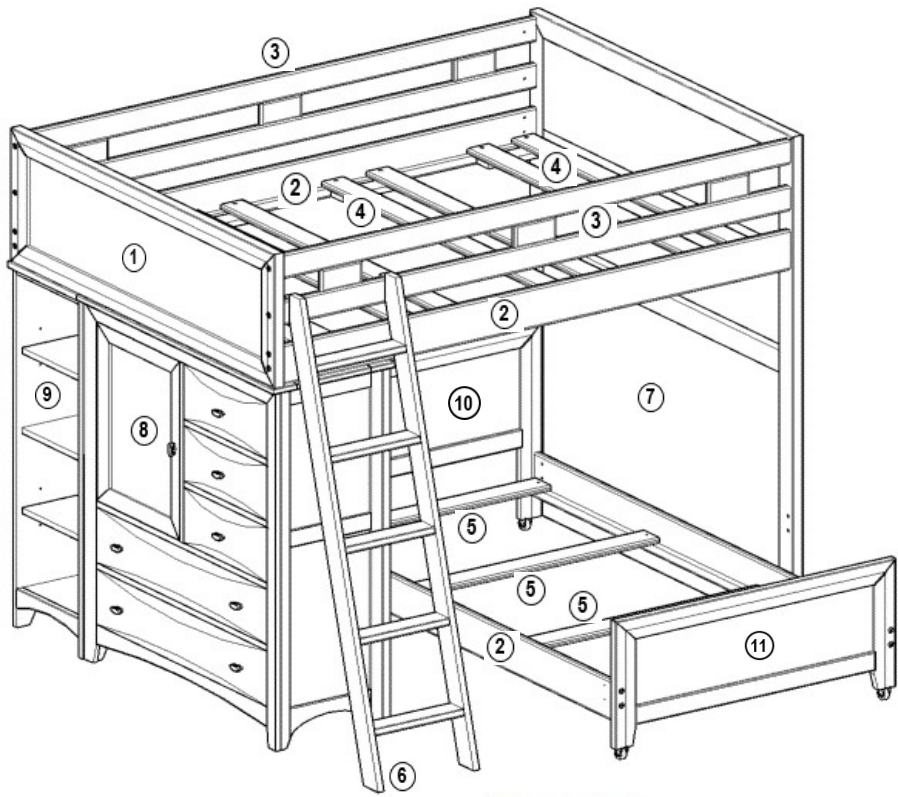
Twin size Bunkie board- 74" long and 37-1/2" wide

Full size mattress- 74" - 75" long and 52-1/2" - 53-1/2" wide

Full size Bunkie board- 74" long and 52-1/2" wide

**PLEASE CONTACT YOUR RETAIL STORE WITH SERVICE OR PARTS REPLACEMENT REQUEST**

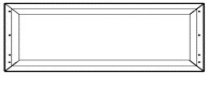








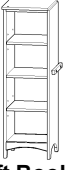



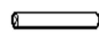



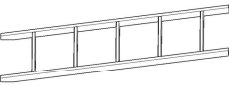

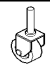
# PARTS LIST



3552360P FULL/TWIN LOFT W/CHEST & BOOKCASE WALNUT		
RTG SKU #	STYLE #	ITEM DESCRIPTION
35523605	3260704	FULL BUNKBED END
35823601	3260703	FULL TOP BUNKBED END
36623608	3260730	4 SIDE RLS/2 GUARD RLS
36223600	3260707	TWIN BOTTOM HD/FT
35923603	3260711	5 DRW. LOFT CHEST
36023606	3260760	LOFT BOOKSHELF
36723600	3260720	LADDER
38300238	100-648	FULL BUNK SLATS
38000232	100-645	TWIN SLAT PACK (4)

3551326P FULL/TWIN LOFT W/CHEST & BOOKCASE WHITE		
RTG SKU #	STYLE #	ITEM DESCRIPTION
35513262	3261704	FULL BUNKBED END
35813268	3261703	FULL TOP BUNKBED END
36613265	3261730	4 SIDE RLS/2 GUARD RLS
36213267	3261707	TWIN BOTTOM HD/FT
35913260	3261711	5 DRW. LOFT CHEST
36013263	3261760	LOFT BOOKSHELF
36713267	3261720	LADDER
38300238	100-648	FULL BUNK SLATS
38000232	100-645	TWIN SLAT PACK (4)

**WARNING**  
The bed slats included with this bed will not support a mattress alone, this bed requires Bunkie boards (sold separately)

PARTS LIST		QTY	PARTS LIST		QTY	HARDWARE LIST		QTY	TOOLS NEEDED	
1	 Full top bunk bed end	1 Pc	7	 Full bunkbed end	1 Pc	A	 50 mm Bolts	24 Pcs	Phillips screwdriver (not included) 	
2	 Side rails	4 Pc	8	 5 Drw Loft chest	1 Pc	B	 Allen wrench	1 Pc	Allen wrench (included) 	
3	 Guardrails	2 Pc	9	 Loft Bookshelf	1 Pc	C	 1 1/4" Screws	16 Pcs		
4	 Full slats	4 Pc	10	 Headboard	1 Pc	D	 Metal pin	2 Pcs		
5	 Twin slats	4 Pc	11	 Footboard	1 Pc	E	 1" Screws	6 Pcs		
6	 Ladder	1 Pc				F	 Ladder hook	2 Pcs		
						G	 Casters	4 Pcs		
<b>TWO PEOPLE ARE NEEDED TO ASSEMBLE DO NOT TIGHTEN COMPLETELY UNTIL ALL PIECES ARE CONNECTED TOGETHER</b>										



# ASSEMBLY INSTRUCTIONS

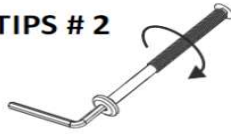
**TIPS : SEE ILLUSTRATION BELOW**

- 1- Use the long end of the allen wrench to fasten bolts loosely and quickly.
- 2- Use the short end of the allen wrench for final tightening

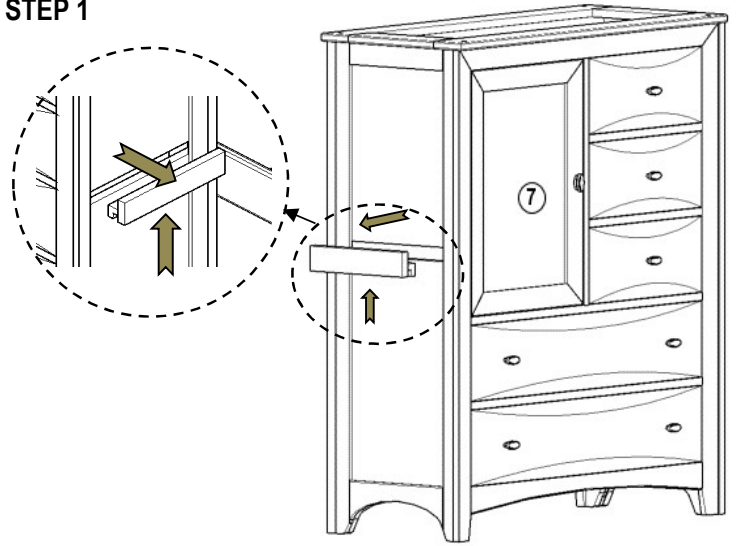
**TIPS # 1**



**TIPS # 2**

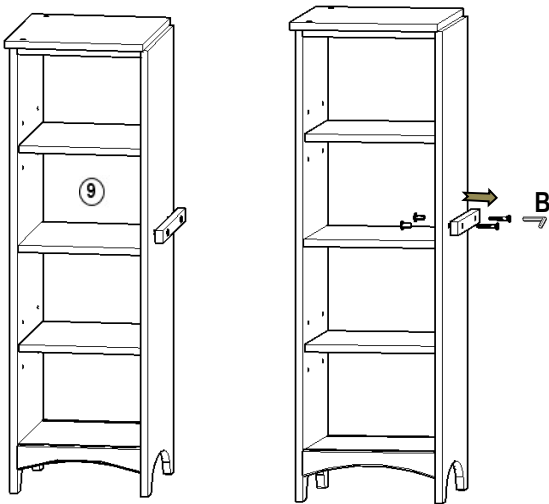


## STEP 1



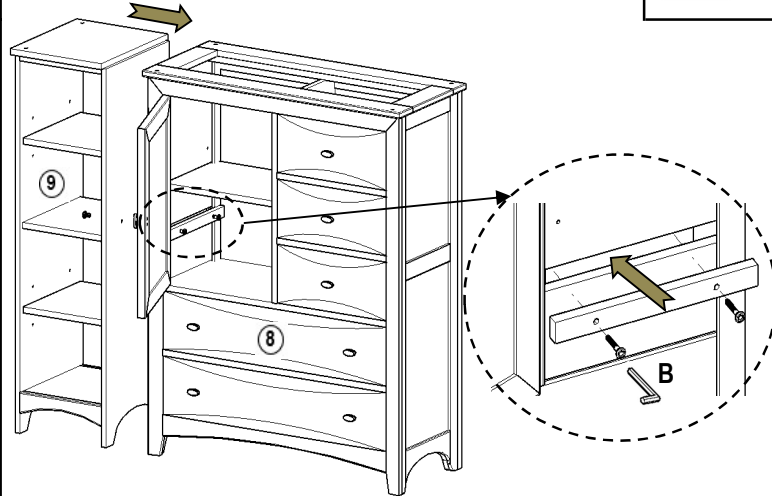
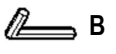
Remove center molding by lifting up then pulling out.

## STEP 2



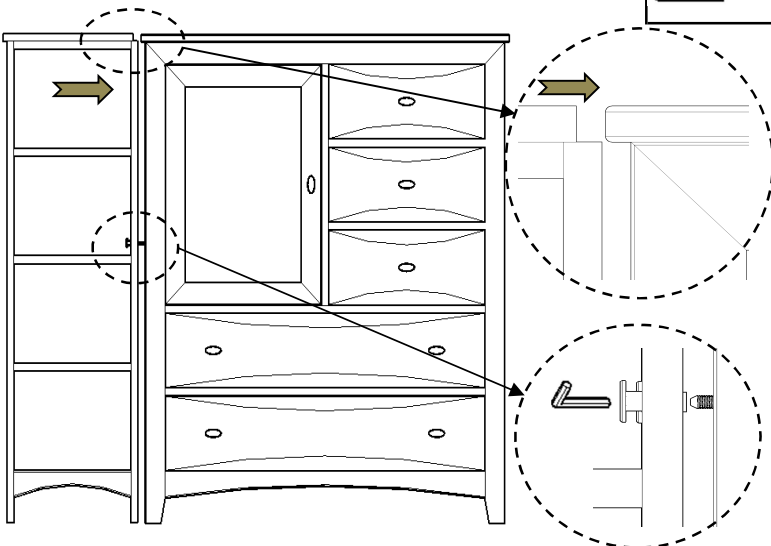
Remove fastening board and save for next step.

## STEP 3



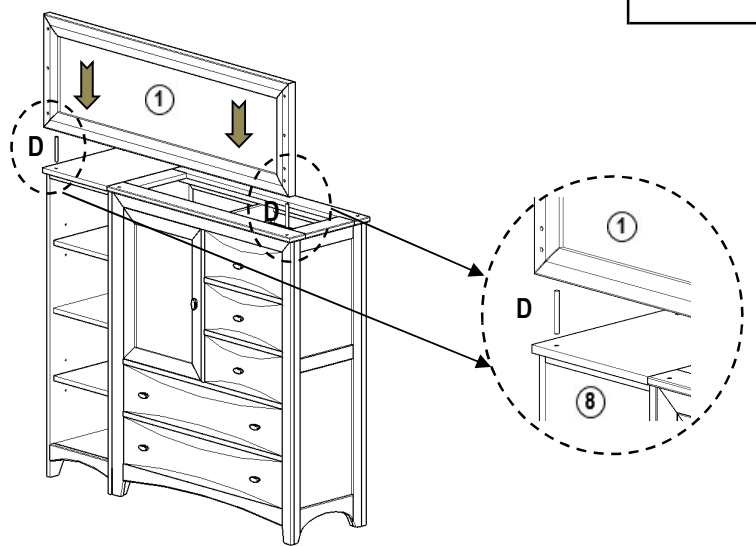
Assemble loft bookshelf and loft chest, using the fastening board and bolts previously removed as shown.

## STEP 4



Align both pieces and tight completely.

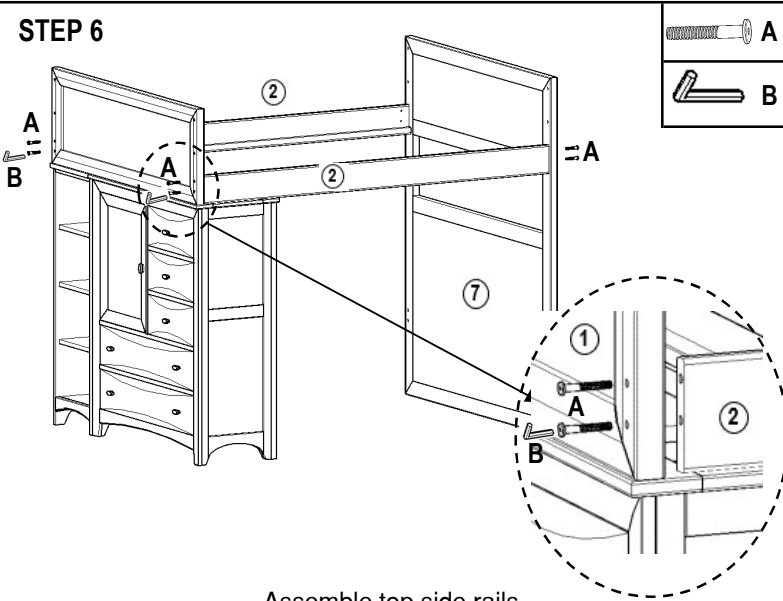
## STEP 5



Assemble loft chest, loft bookshelf and top bunk bed end.

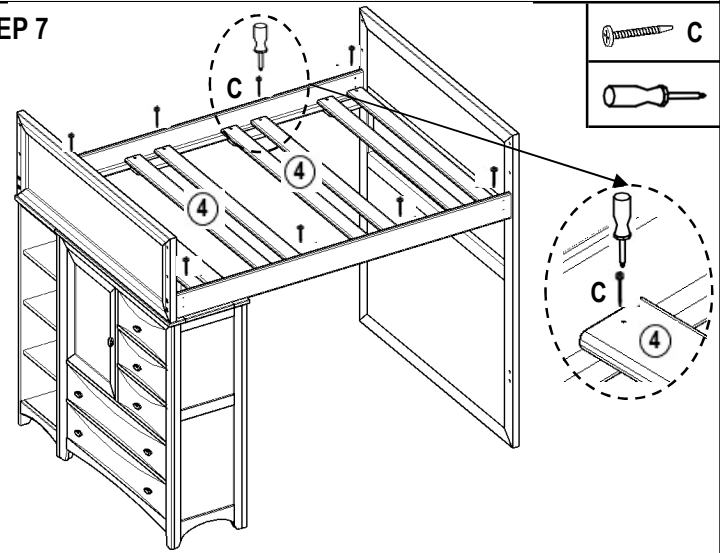
# ASSEMBLY INSTRUCTIONS

## STEP 6



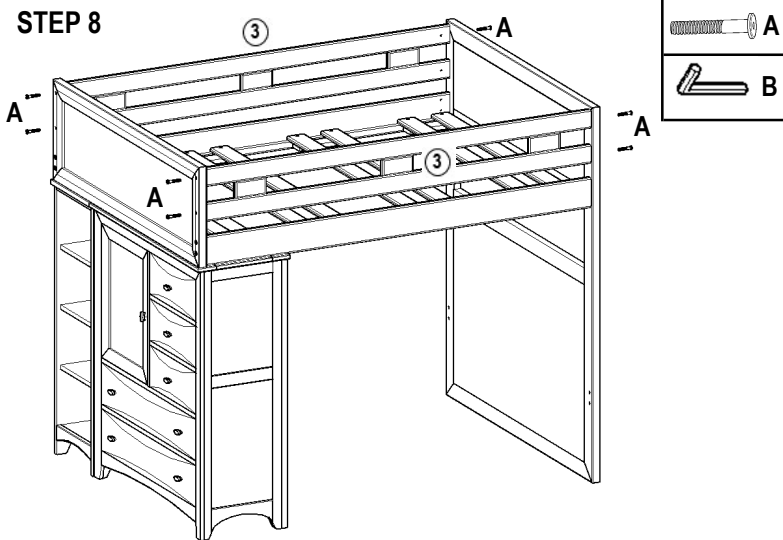
Assemble top side rails.

## STEP 7



Install slats, one on each end, two equally spaced in the middle, then fasten with 1 1/4" screws.

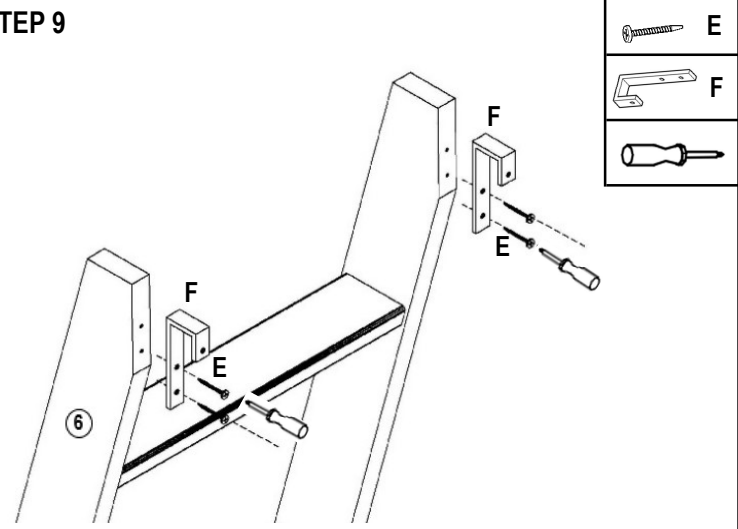
## STEP 8



Assemble guardrails and tighten all bolts.

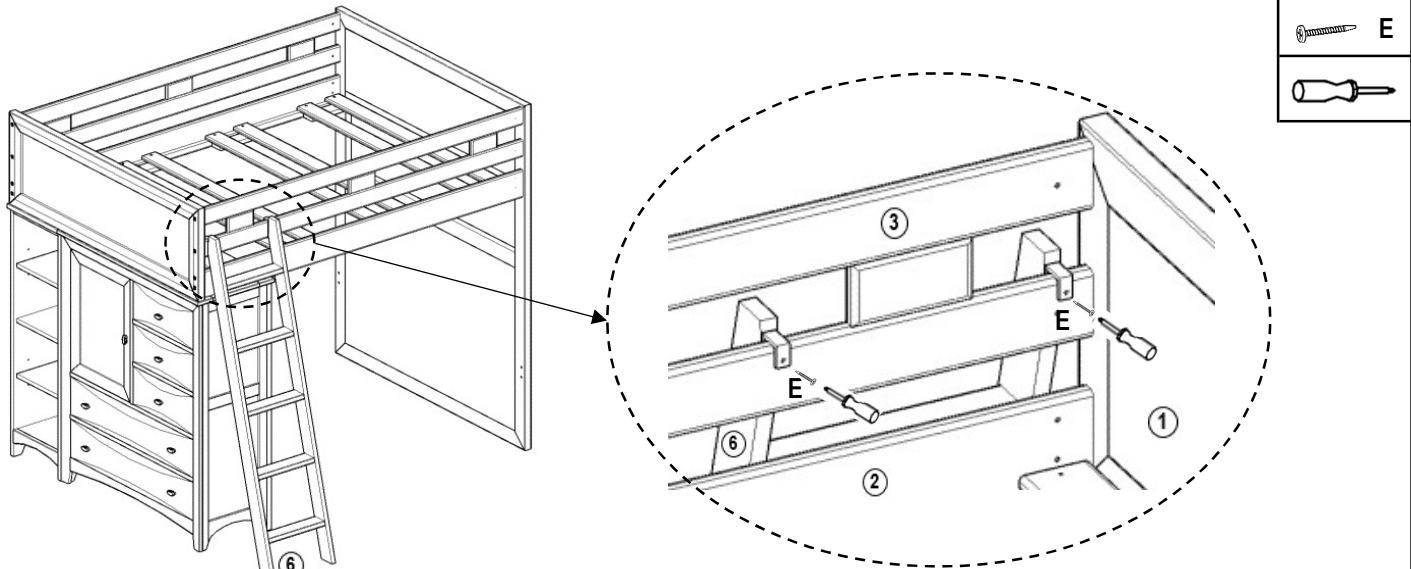
**MAKE SURE ALL BOLTS ARE TIGHTENED COMPLETELY**

## STEP 9



Screw ladder hooks to pre-drilled holes on top of ladder.

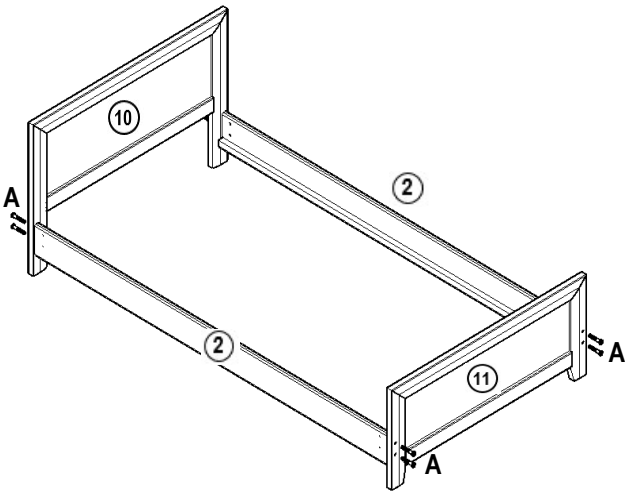
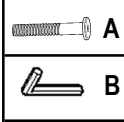
## STEP 10



Screw ladder to guardrail as shown.

# ASSEMBLY INSTRUCTIONS

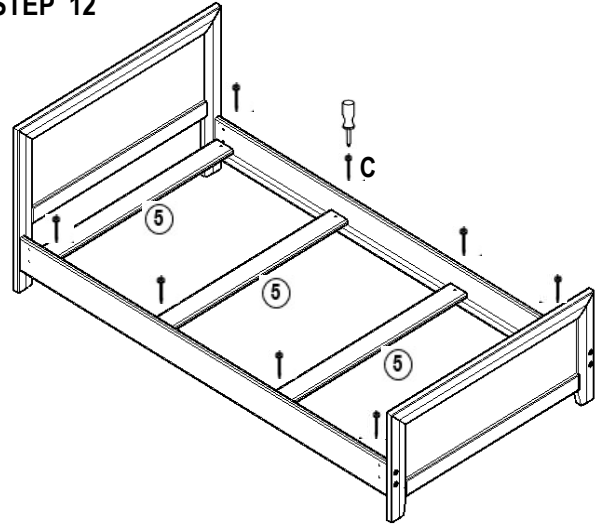
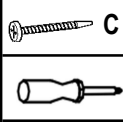
**STEP 11**



Assemble side rails

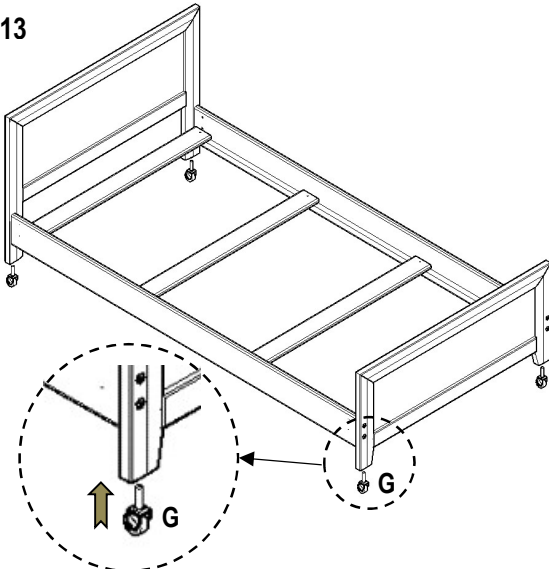
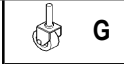
**MAKE SURE ALL BOLTS ARE TIGHTENED COMPLETELY**

**STEP 12**



Install slats, one on each end and two equally spaced in the middle, then fasten with 1 1/4" screws

**STEP 13**



Install casters in headboard and footboard

**STEP 14**

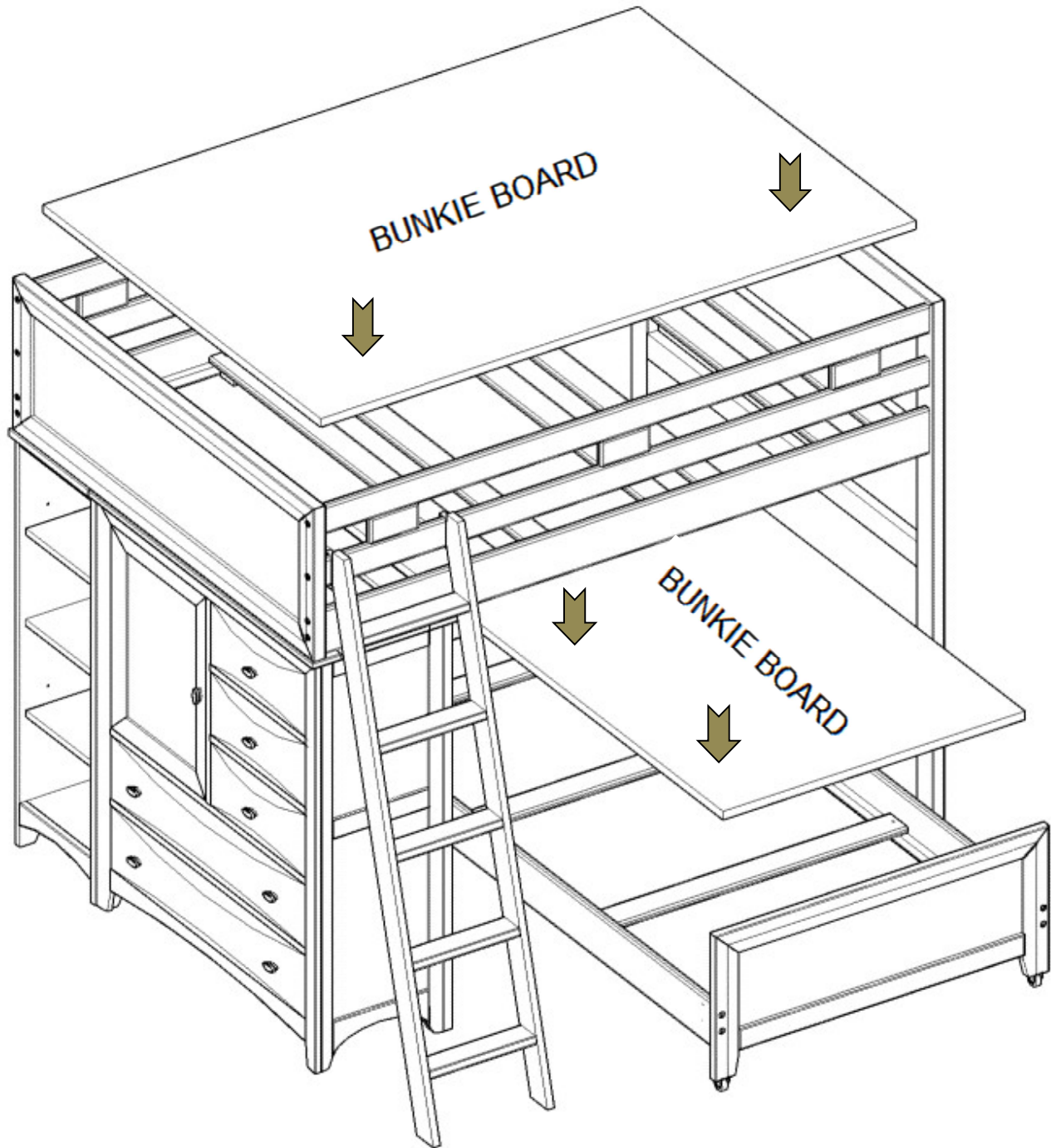


Slide Caster bed under Loft bed as shown.



# ASSEMBLY INSTRUCTIONS

STEP 15



**Place Bunkie boards (required, sold separately) on top of the slats**

**Use only correct mattress dimensions and Bunkie board:**

Twin size mattress- 74" - 75" long and 37-1/2" - 38-1/2" wide

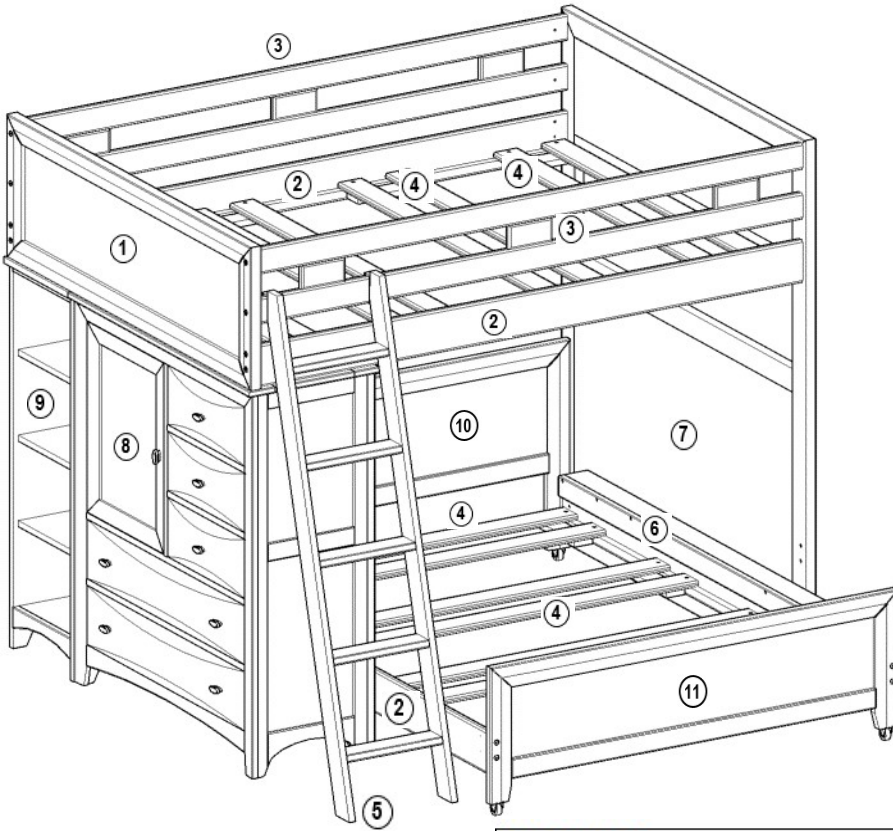
Twin size Bunkie board- 74" long and 37-1/2" wide

Full size mattress- 74" - 75" long and 52-1/2" - 53-1/2" wide

Full size Bunkie board- 74" long and 52-1/2" wide

PLEASE CONTACT YOUR RETAIL STORE WITH SERVICE OR PARTS REPLACEMENT REQUEST


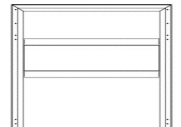





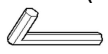



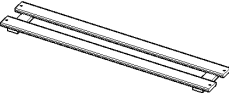


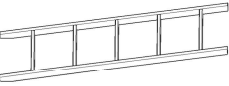
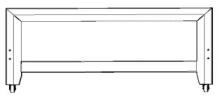

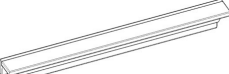
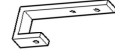
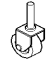
# PARTS LIST



3562360P FULL/FULL LOFT W/CHEST & BOOKCASE WALNUT		
RTG SKU #	STYLE #	ITEM DESCRIPTION
35523605	3260704	FULL BUNKBED END
35823601	3260703	FULL TOP BUNKBED END
36623608	3260730	4 SIDE RLS/2 GUARD RLS
36323602	3260709	FULL BOTTOM HD/FT
35923603	3260711	5 DRW. LOFT CHEST
36023606	3260760	LOFT BOOKSHELF
36723600	3260720	LADDER
36923604	3260736	FULL RAIL CUP
38300238	100-648	FULL BUNK SLATS
38300238	100-648	FULL BUNK SLATS

3561326P FULL/FULL LOFT W/CHEST & BOOKCASE WHITE		
RTG SKU #	STYLE #	ITEM DESCRIPTION
35513262	3261704	FULL BUNKBED END
35813268	3261703	FULL TOP BUNKBED END
36613265	3261730	4 SIDE RLS/2 GUARD RLS
36313269	3261709	FULL BOTTOM HD/FT
35913260	3261711	5 DRW. LOFT CHEST
36013263	3261760	LOFT BOOKSHELF
36713267	3261720	LADDER
36913261	3261736	FULL RAIL CUP
38300238	100-648	FULL BUNK SLATS
38300238	100-648	FULL BUNK SLATS

**WARNING**  
The bed slats included with this bed will not support a mattress alone, this bed requires Bunkie boards (sold separately)

PARTS LIST	QTY	PARTS LIST	QTY	HARDWARE LIST	QTY	TOOLS NEEDED
1  Full top bunk bed end	1 Pc	7  Full bunkbed end	1 Pc	A  50 mm Bolts	24 Pcs	Phillips screwdriver (not included) 
2  Side rails	4 Pc	8  5 Drw Loft chest	1 Pc	B  Allen wrench	1 Pc	Allen wrench (included) 
3  Guardrails	2 Pc	9  Loft Bookshelf	1 Pc	C  1 1/4" Screws	16 Pcs	
4  Full slats	8 Pc	10  Headboard	1 Pc	D  Metal pin	2 Pcs	
5  Ladder	1 Pc	11  Footboard	1 Pc	E  1 " Screws	6 Pcs	
6  Full rail cup	1 Pc			F  Ladder hook	2 Pcs	
				G  Casters	4 Pcs	
<b>TWO PEOPLE ARE NEEDED TO ASSEMBLE DO NOT TIGHTEN COMPLETELY UNTIL ALL PIECES ARE CONNECTED TOGETHER</b>						

# ASSEMBLY INSTRUCTIONS

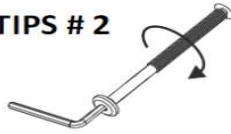
**TIPS : SEE ILLUSTRATION BELOW**

- 1- Use the long end of the allen wrench to fasten bolts loosely and quickly.
- 2- Use the short end of the allen wrench for final tightening

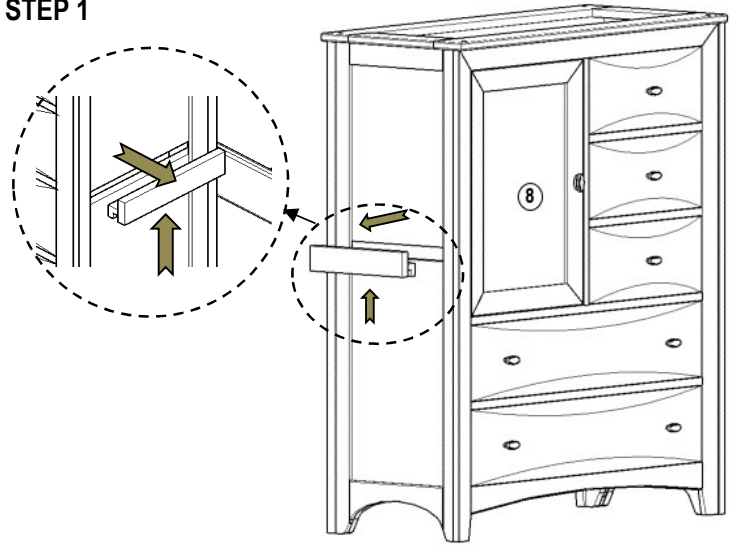
**TIPS # 1**



**TIPS # 2**

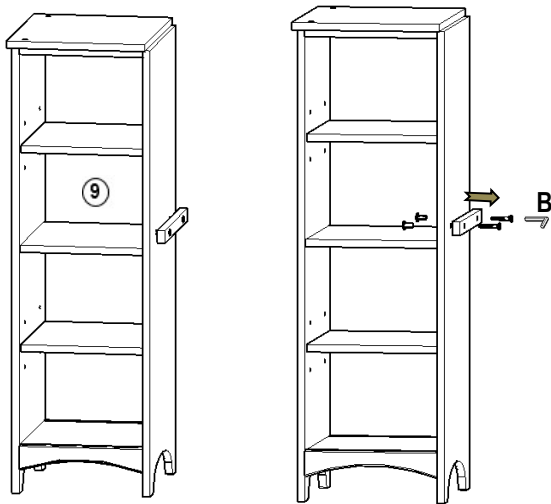


## STEP 1



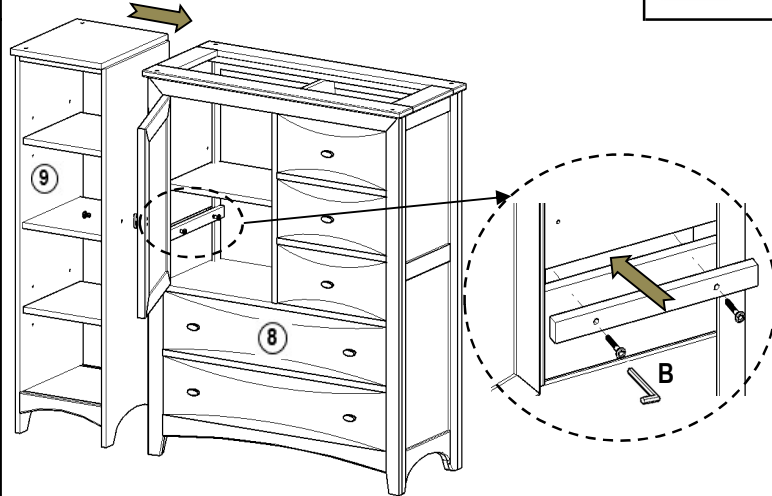
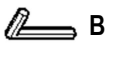
Remove center molding by lifting up then pulling out.

## STEP 2



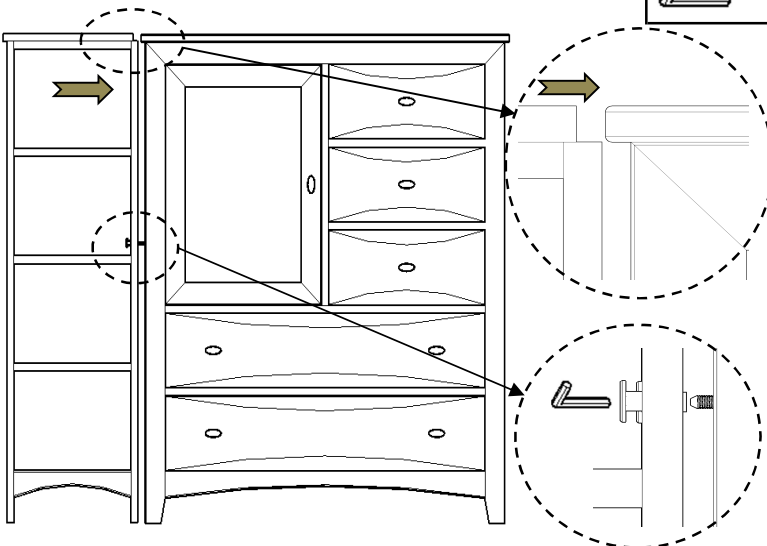
Remove fastening board and save for next step.

## STEP 3



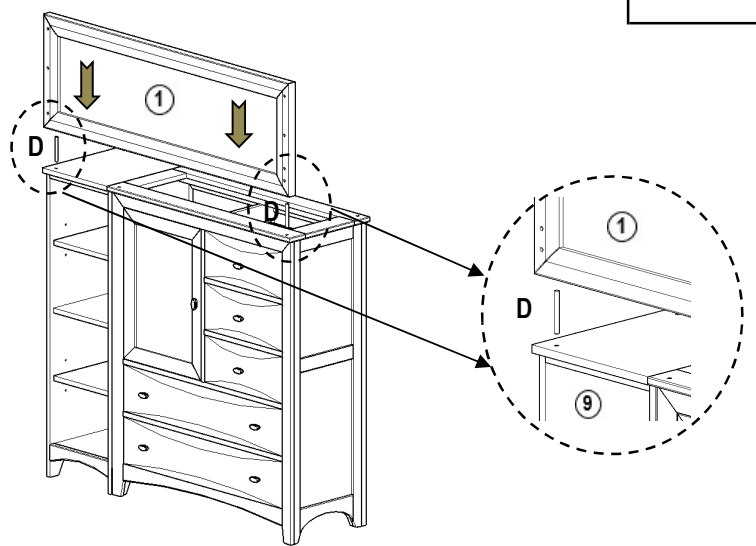
Assemble loft bookshelf and loft chest, using the fastening board and bolts previously removed as shown.

## STEP 4



Align both pieces and tight completely.

## STEP 5

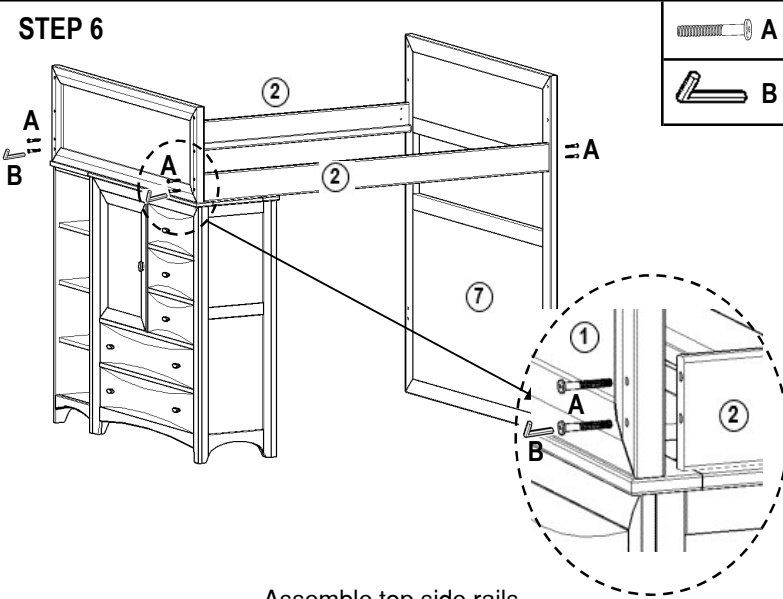


Assemble loft chest, loft bookshelf and top bunk bed end.



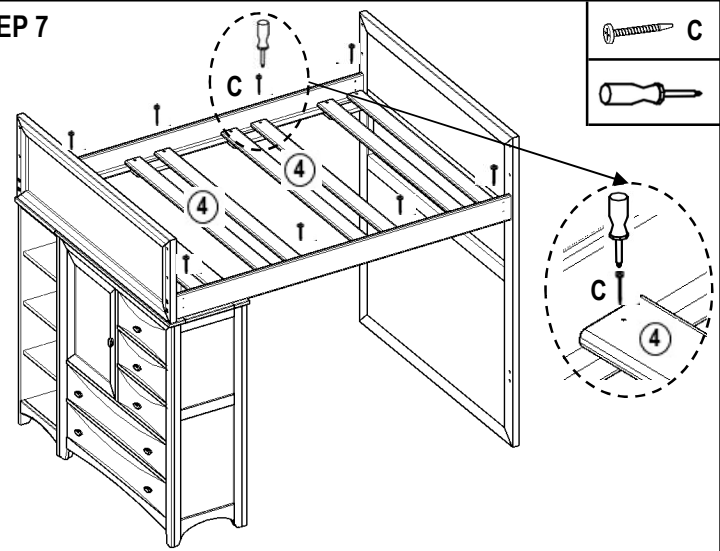
# ASSEMBLY INSTRUCTIONS

## STEP 6



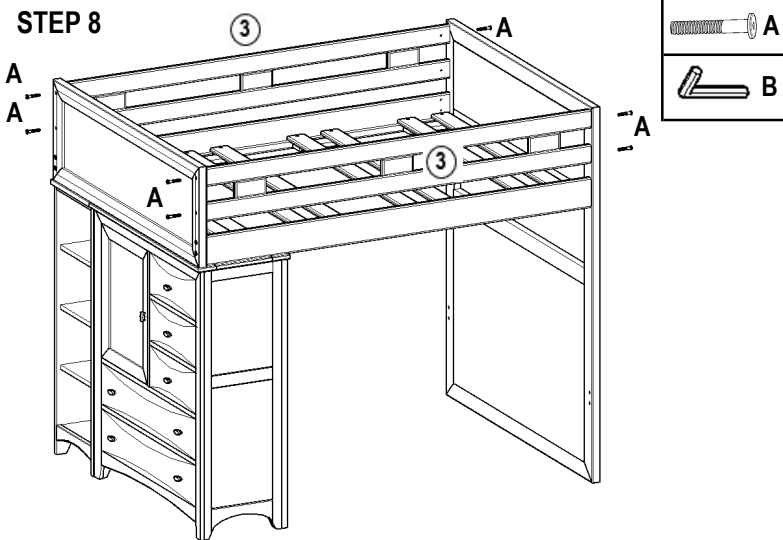
Assemble top side rails.

## STEP 7



Install slats, one on each end, two equally spaced in the middle, then fasten with 1 1/4" screws.

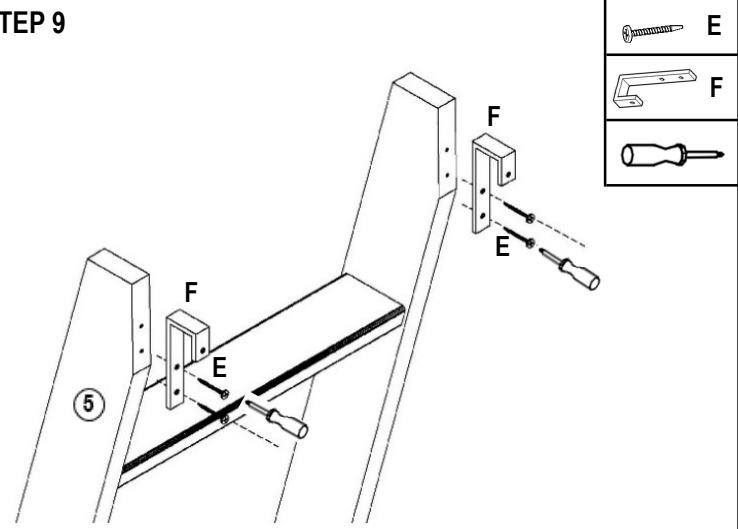
## STEP 8



Assemble guardrails and tighten all bolts.

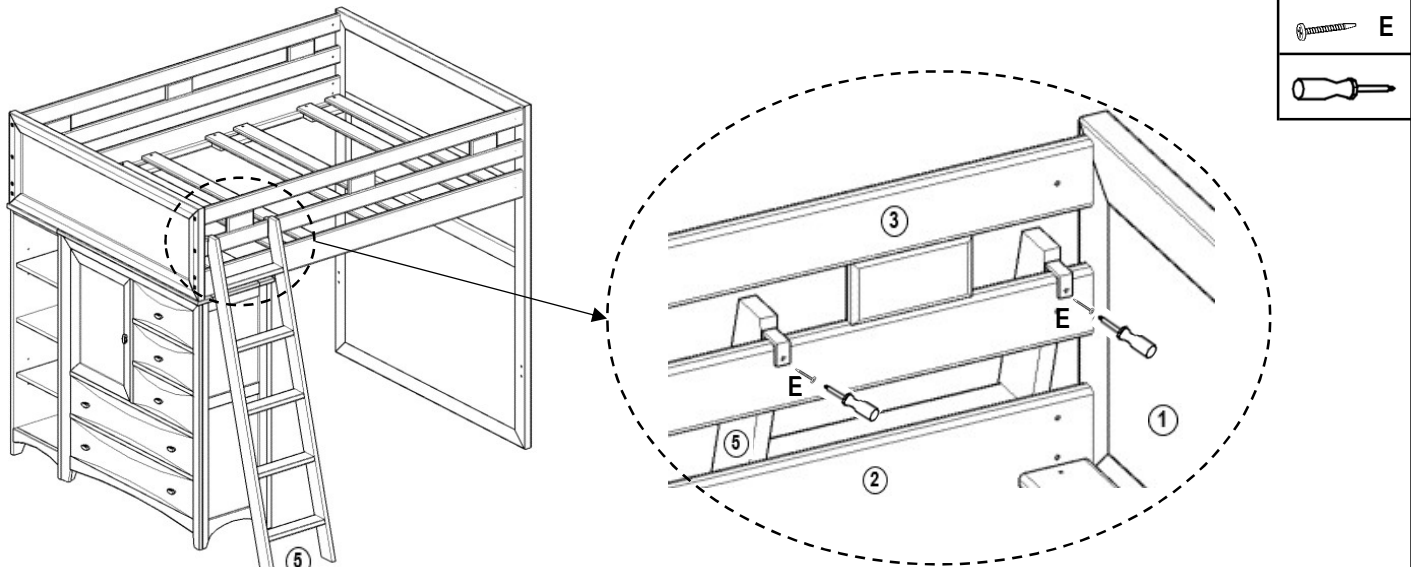
**MAKE SURE ALL BOLTS ARE TIGHTENED COMPLETELY**

## STEP 9



Screw ladder hooks to pre-drilled holes on top of ladder.

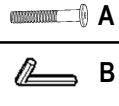
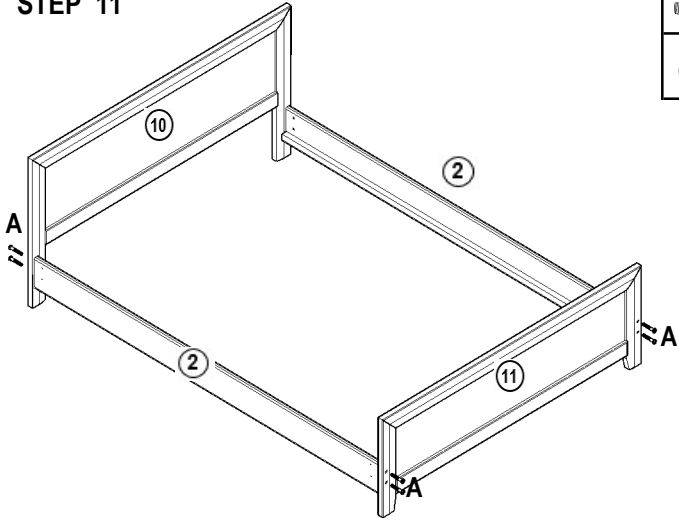
## STEP 10



Screw ladder to guardrail as shown.

# ASSEMBLY INSTRUCTIONS

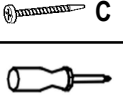
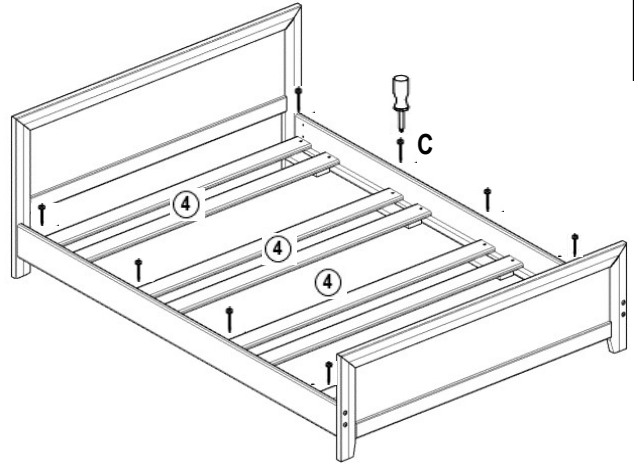
## STEP 11



Assemble side rails

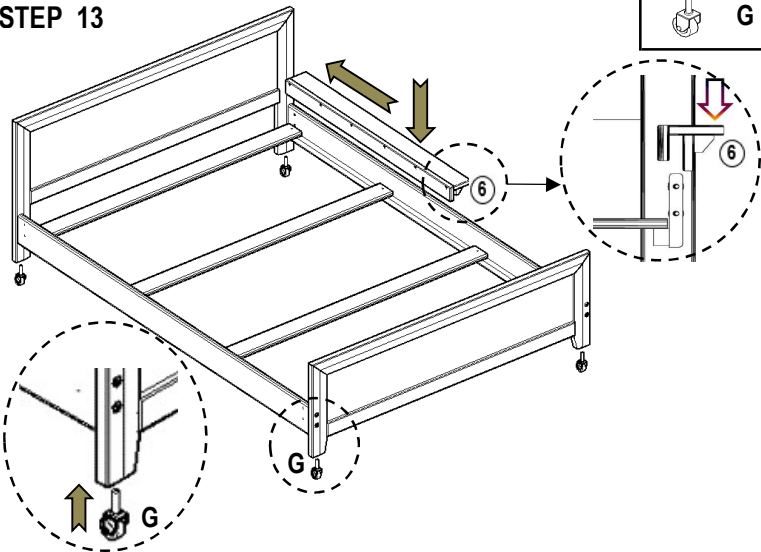
**MAKE SURE ALL BOLTS ARE TIGHTENED COMPLETELY**

## STEP 12



Install slats, one on each end and two equally spaced in the middle, then fasten with 1 1/4" screws

## STEP 13



Install casters in headboard and footboard, and set rail cup.

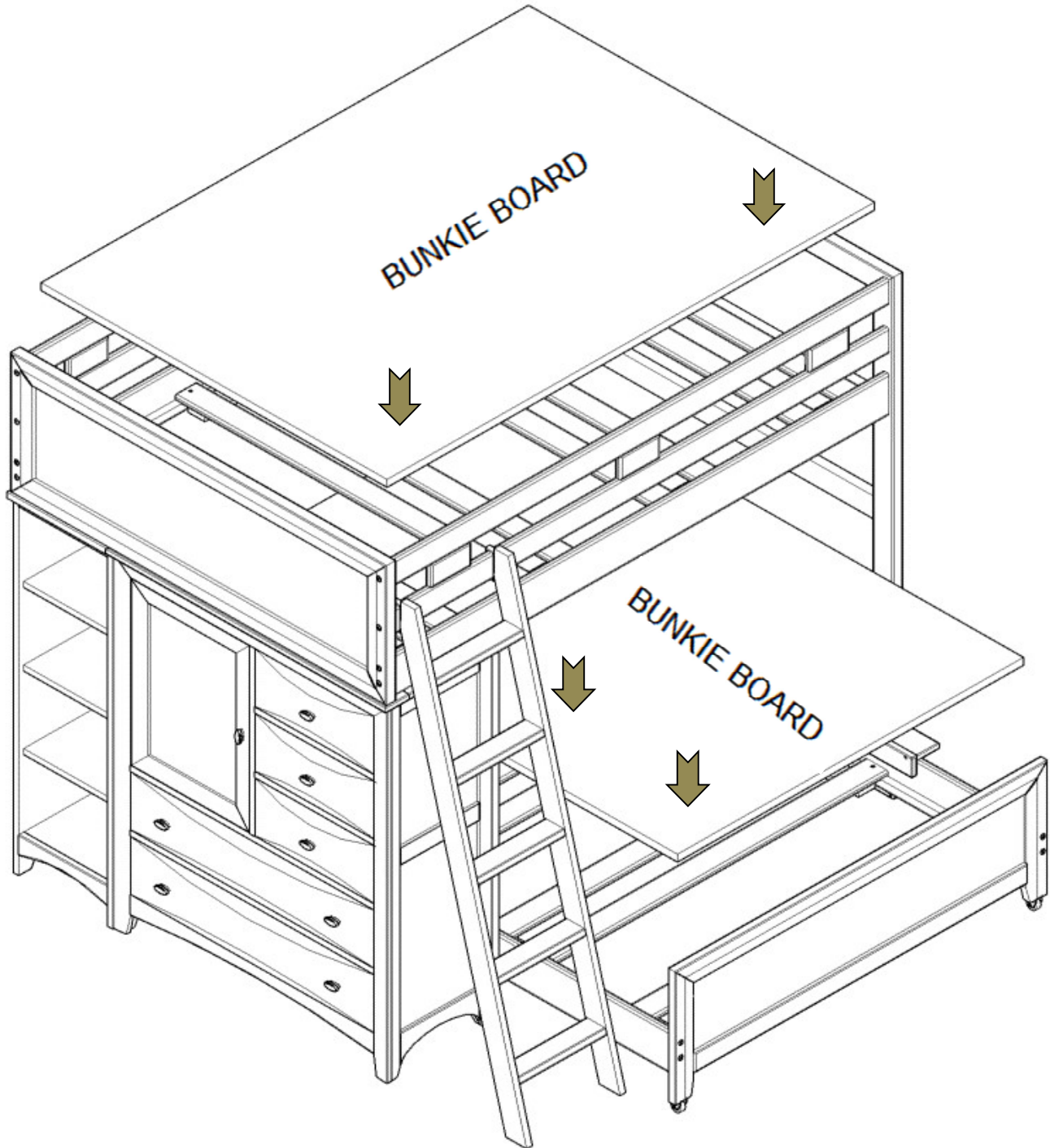
## STEP 14



Slide Caster bed under Loft bed as shown.

# ASSEMBLY INSTRUCTIONS

STEP 15



**Place Bunkie boards (required, sold separately) on top of the slats**

**Use only correct mattress dimensions and Bunkie board:**

Twin size mattress- 74" - 75" long and 37-1/2" - 38-1/2" wide

Twin size Bunkie board- 74" long and 37-1/2" wide

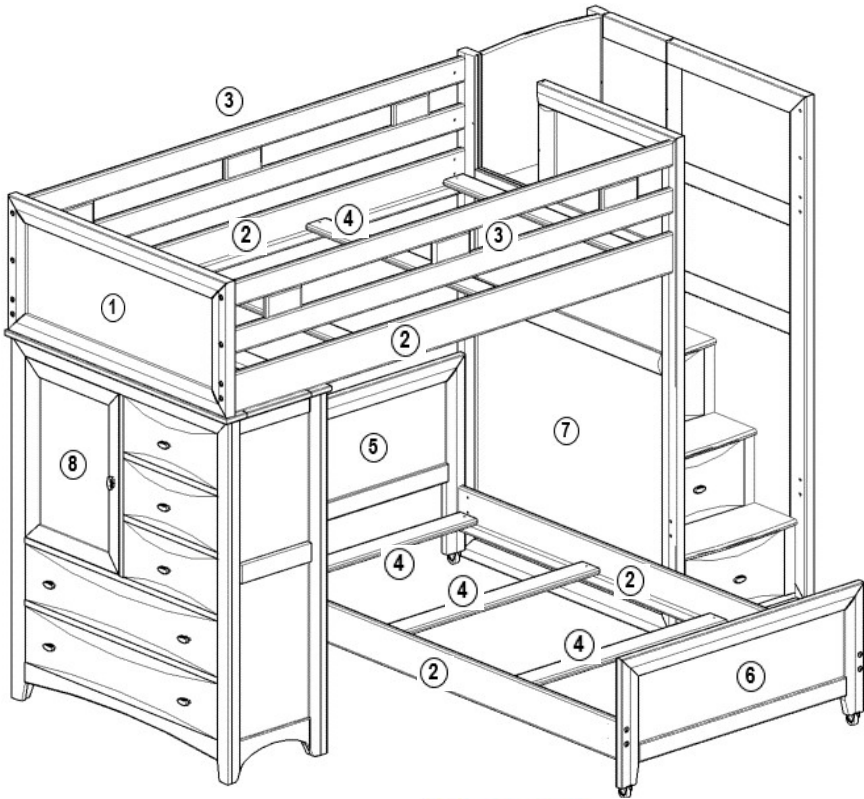
Full size mattress- 74" - 75" long and 52-1/2" - 53-1/2" wide

Full size Bunkie board- 74" long and 52-1/2" wide

PLEASE CONTACT YOUR RETAIL STORE WITH SERVICE OR PARTS REPLACEMENT REQUEST



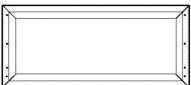
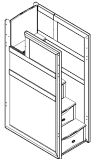



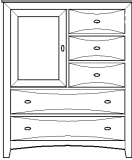





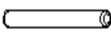





# PARTS LIST



3592360P TWIN/TWIN STEP LOFT W/CHEST WALNUT		
RTG SKU #	STYLE #	ITEM DESCRIPTION
35723609	3260160	STEP BUNK UNIT
35623607	3260705	TWIN TOP BUNKBED END
36623608	3260730	4 SIDE RLS/2 GUARD RLS
35923603	3260711	5 DRW. LOFT CHEST
36223600	3260707	TWIN BOTTOM HD/FT
38000232	100-645	TWIN SLAT PACK (4)
38000232	100-645	TWIN SLAT PACK (4)
36123608	3260601	FOLDING DESK (OPTIONAL)

3591326P TWIN/TWIN STEP LOFT W/CHEST WHITE		
RTG SKU #	STYLE #	ITEM DESCRIPTION
35713266	3261160	STEP BUNK UNIT
35613264	3261705	TWIN TOP BUNKBED END
36613265	3261730	4 SIDE RLS/2 GUARD RLS
35913260	3261711	5 DRW. LOFT CHEST
36213267	3261707	TWIN BOTTOM HD/FT
38000232	100-645	TWIN SLAT PACK (4)
38000232	100-645	TWIN SLAT PACK (4)
36113265	3261601	FOLDING DESK (OPTIONAL)

**WARNING**  
The bed slats included with this bed will not support a mattress alone, this bed requires Bunkie boards (sold separately)

PARTS LIST		QTY	PARTS LIST		QTY	HARDWARE LIST		QTY	TOOLS NEEDED				
1	 Twin top bunk bed end	1 Pc	7	 Step bunk unit	1 Pc	A	 50 mm Bolts	24 Pcs	Phillips screwdriver (not included) 				
2	 Side rails	4 Pc	8	 5 Drw Loft chest	1 Pc	B	 Allen wrench	1 Pc	Allen wrench (included) 				
3	 Guardrails	2 Pc				C	 1 1/4" Screws	16 Pcs	FOLDING DESK HARDWARE				
4	 Slats	8 Pc				D	 Metal pin	2 Pcs			C	 1 1/4" Screws	2 Pcs
5	 Headboard	1 Pc				E	 Casters	4 Pcs			F	 3/4" Screw	1 Pcs
6	 Footboard	1 Pc											

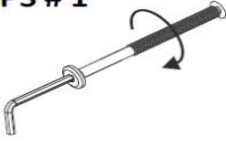
**TWO PEOPLE ARE NEEDED TO ASSEMBLE**  
**DO NOT TIGHTEN COMPLETELY UNTIL ALL PIECES ARE CONNECTED TOGETHER**

# ASSEMBLY INSTRUCTIONS

TIPS : SEE ILLUSTRATION BELOW

- 1- Use the long end of the allen wrench to fasten bolts loosely and quickly.
- 2- Use the short end of the allen wrench for final tightening

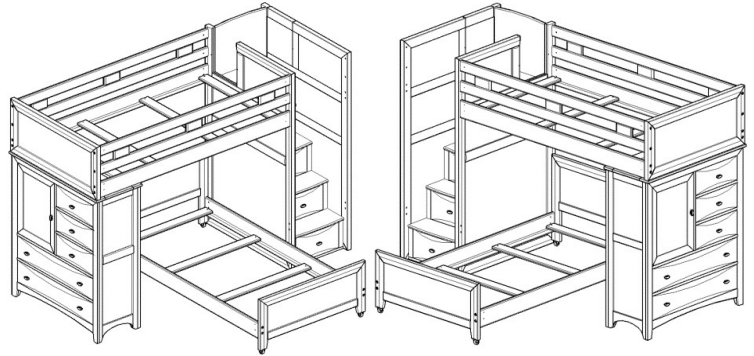
TIPS # 1



TIPS # 2

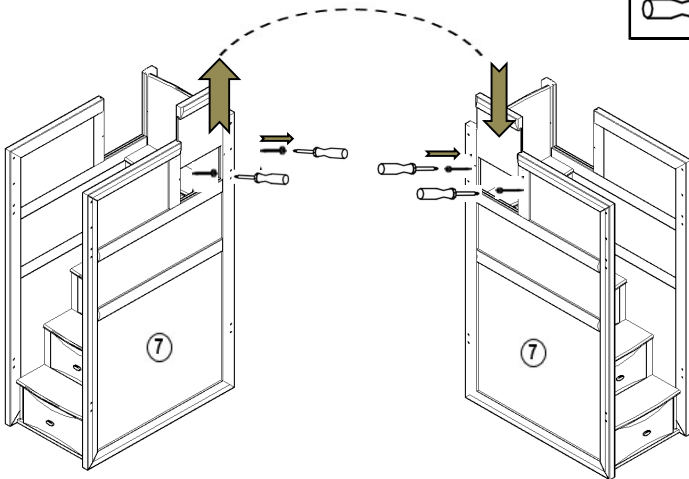


FIRST DETERMINE THE CONFIGURATION THAT FITS YOUR ROOM



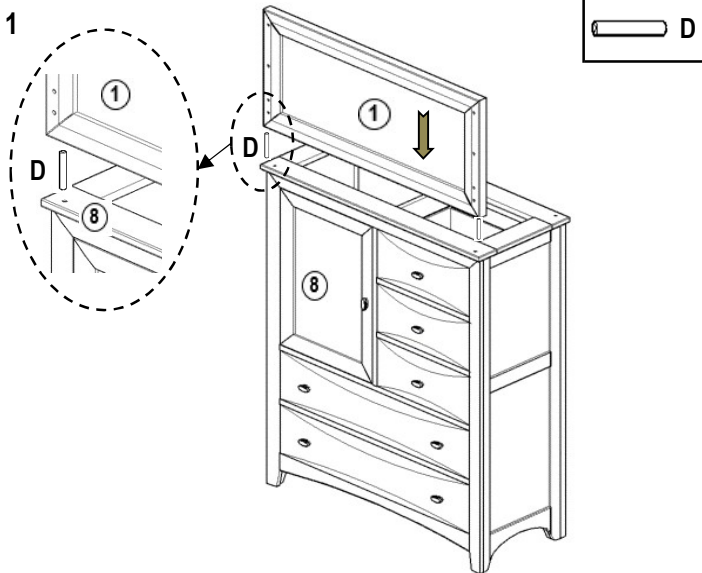
STAIRS ON THE RIGHT  
(Factory setting)

STAIRS ON THE LEFT



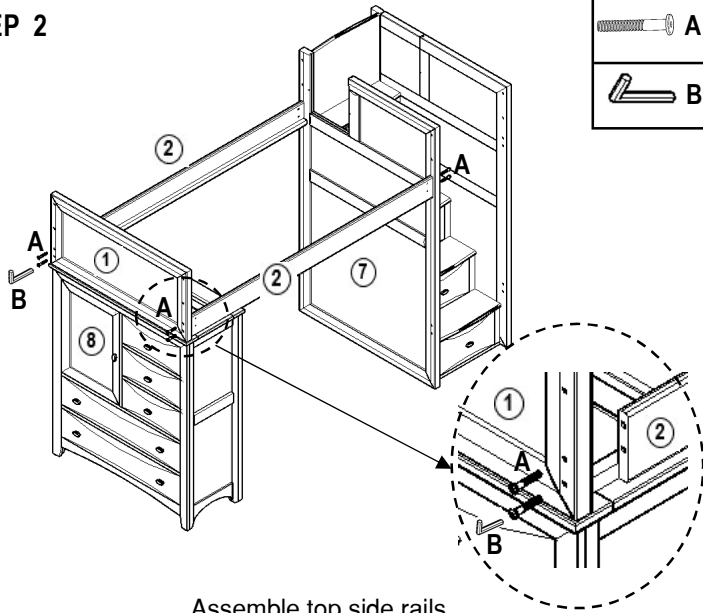
For stairs on the left, first remove the screws, then remove the panel and install it on the other side and secure with the screws.

STEP 1



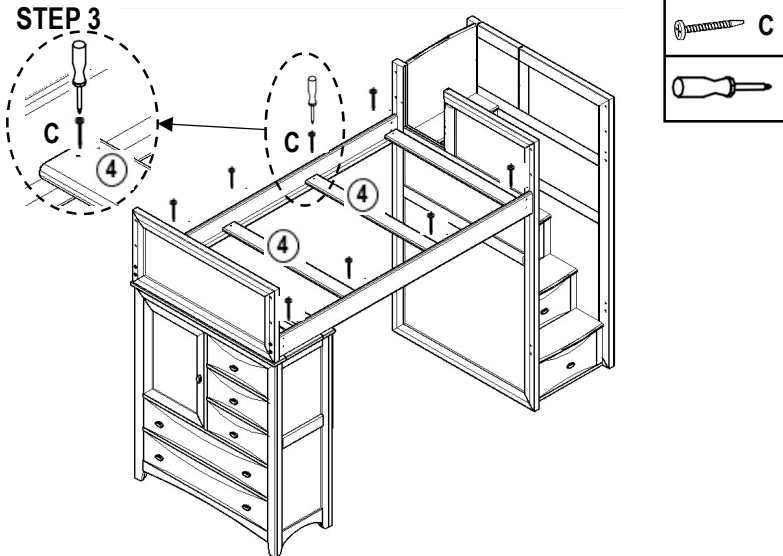
Assemble left chest and top bunk bed end.

STEP 2



Assemble top side rails.

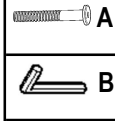
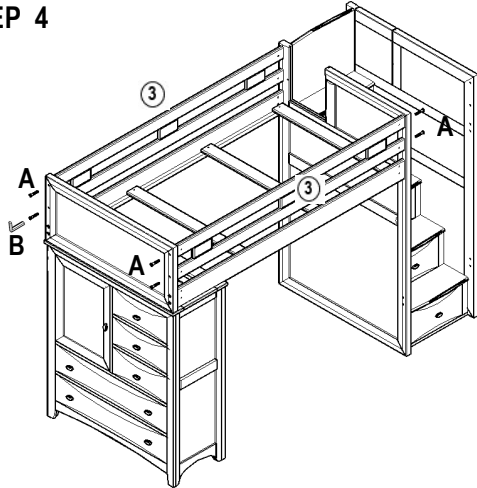
STEP 3



Install slats, one on each end, two equally spaced in the middle, then fasten with 1 1/4" screws.

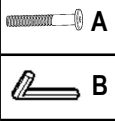
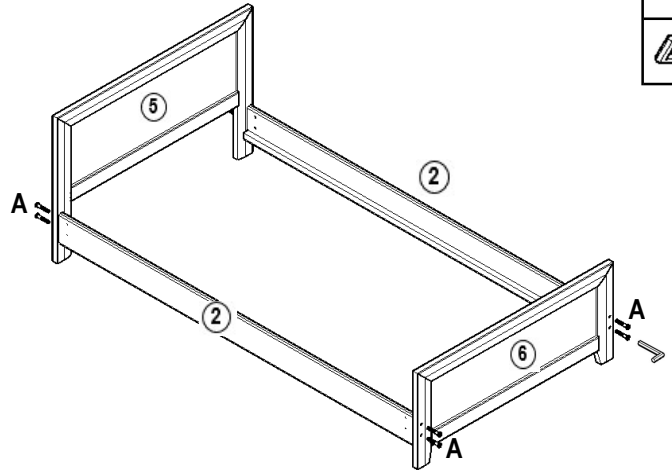
# ASSEMBLY INSTRUCTIONS

**STEP 4**



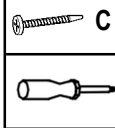
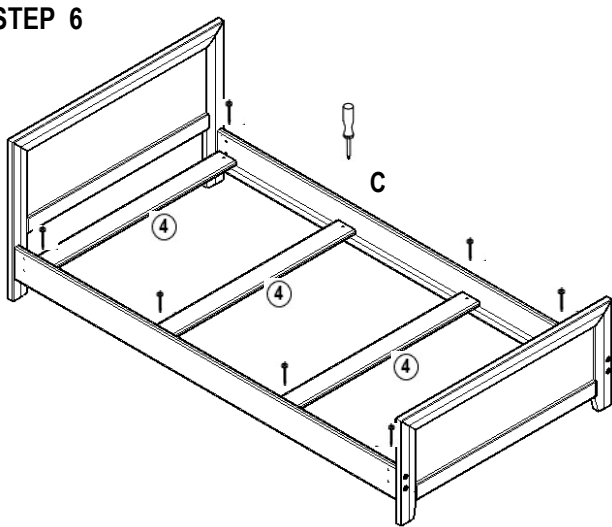
Assemble guardrails and tighten all bolts.  
**MAKE SURE ALL BOLTS ARE TIGHTENED COMPLETELY**

**STEP 5**



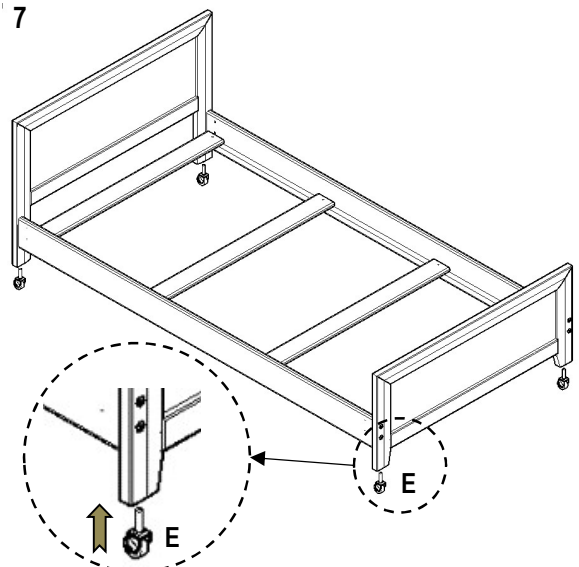
Assemble side rails  
**MAKE SURE ALL BOLTS ARE TIGHTENED COMPLETELY**

**STEP 6**



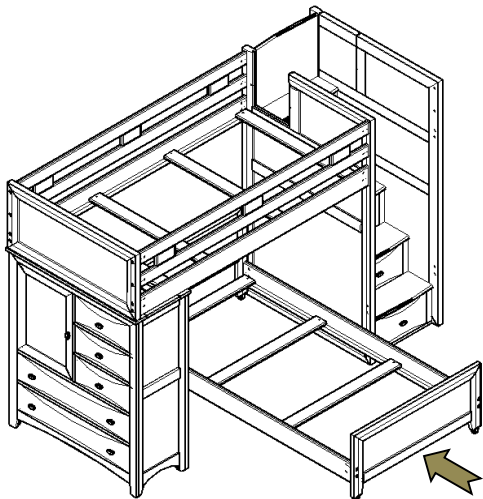
Install slats, one on each end and two equally spaced in the middle,  
then fasten with 1 1/4" screws

**STEP 7**



Install casters in headboard and footboard

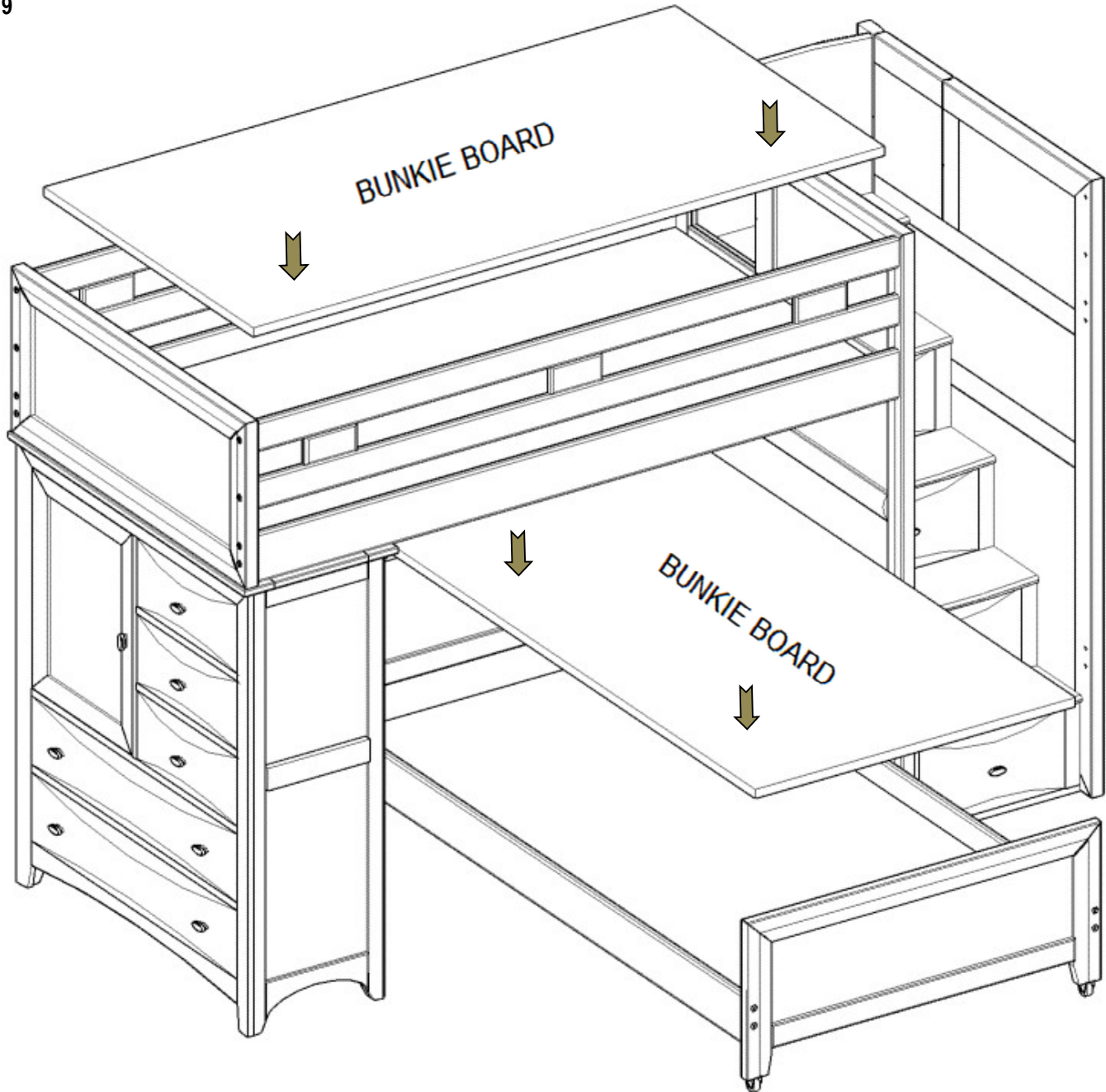
**STEP 8**



Slide Caster bed under loft bed as shown.

# ASSEMBLY INSTRUCTIONS

## STEP 9



**Place Bunkie boards (required, sold separately) on top of the slats**

**Use only correct mattress dimensions and Bunkie board:**

Twin size mattress- 74" - 75" long and 37-1/2" - 38-1/2" wide

Twin size Bunkie board- 74" long and 37-1/2" wide

Full size mattress- 74" - 75" long and 52-1/2" - 53-1/2" wide

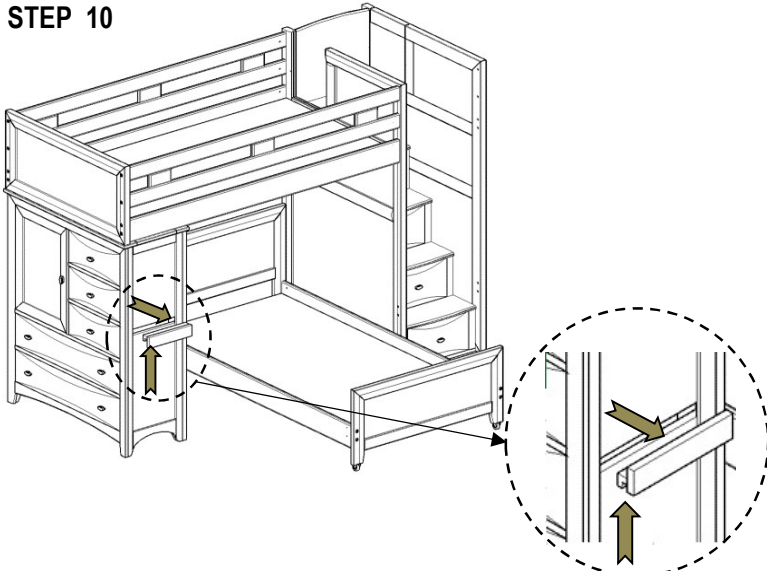
Full size Bunkie board- 74" long and 52-1/2" wide

**PLEASE CONTACT YOUR RETAIL STORE WITH SERVICE OR PARTS REPLACEMENT REQUEST**



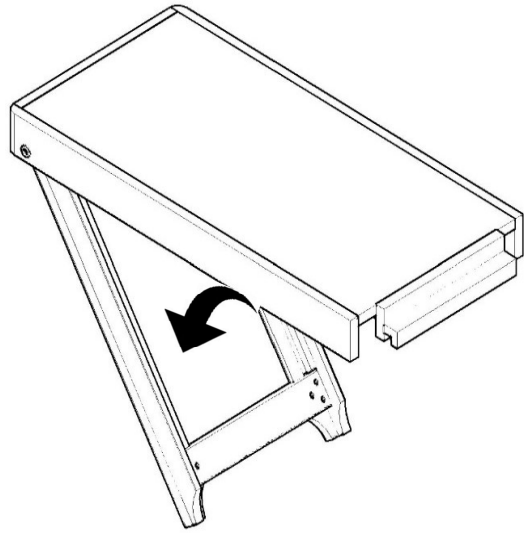
# ASSEMBLY INSTRUCTIONS

STEP 10



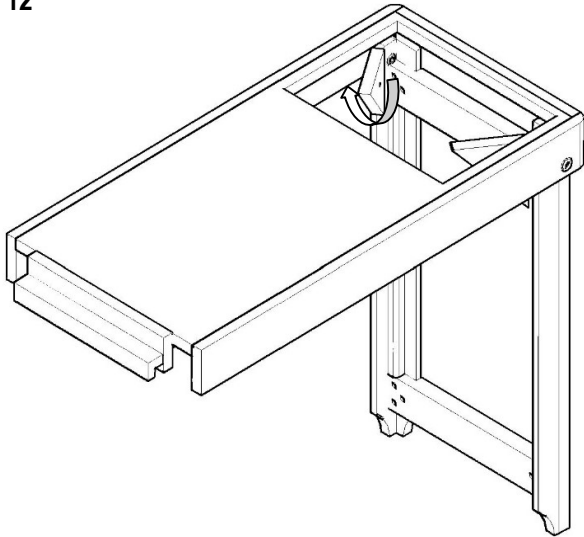
Remove center molding by lifting up then pulling out

STEP 11



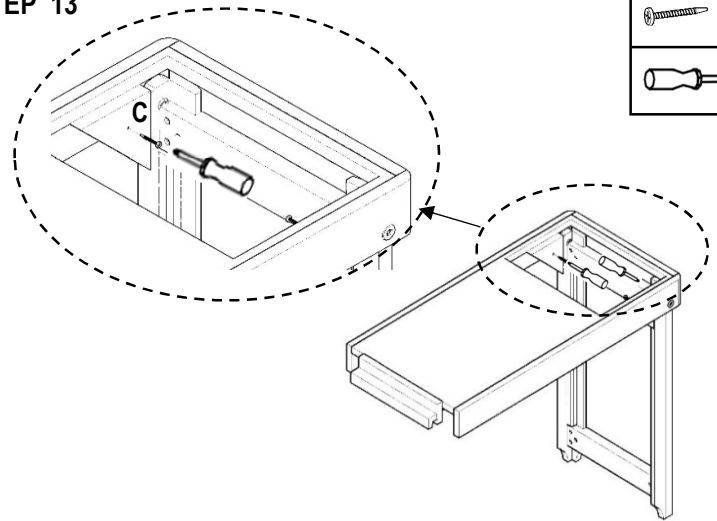
Unfold desk leg and look for hardware pack inside desk box.

STEP 12



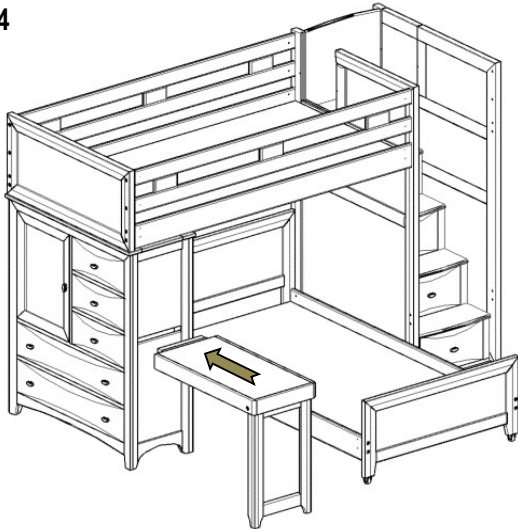
Unfold corner supports

STEP 13



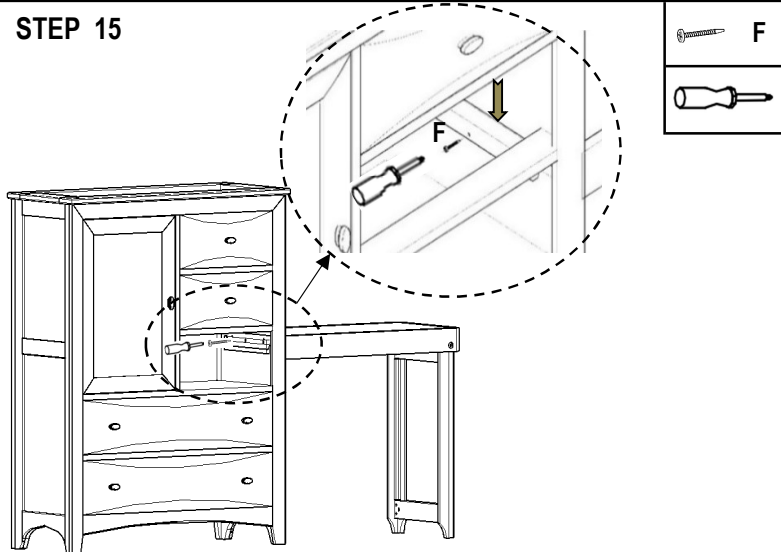
Secure each corner block with 1 1/4" screw (from desk box hardware pack) in the pre-bore hole.

STEP 14



Place folding desk by sliding into the opening of left chest then push down

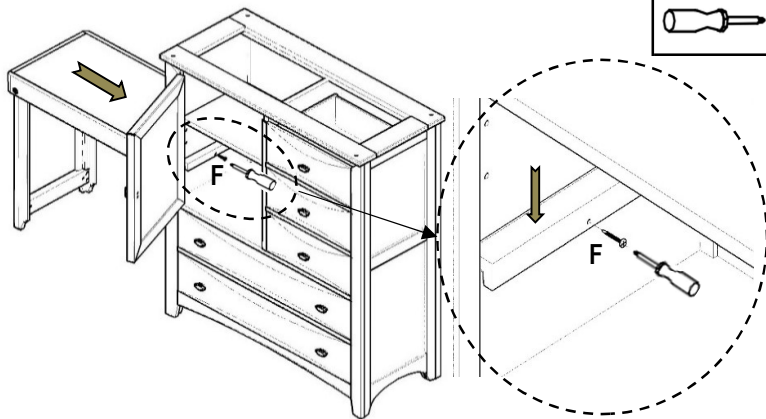
STEP 15



For desk on the right remove third drawer, and secure desk with one 3/4" screw (from desk box hardware pack).

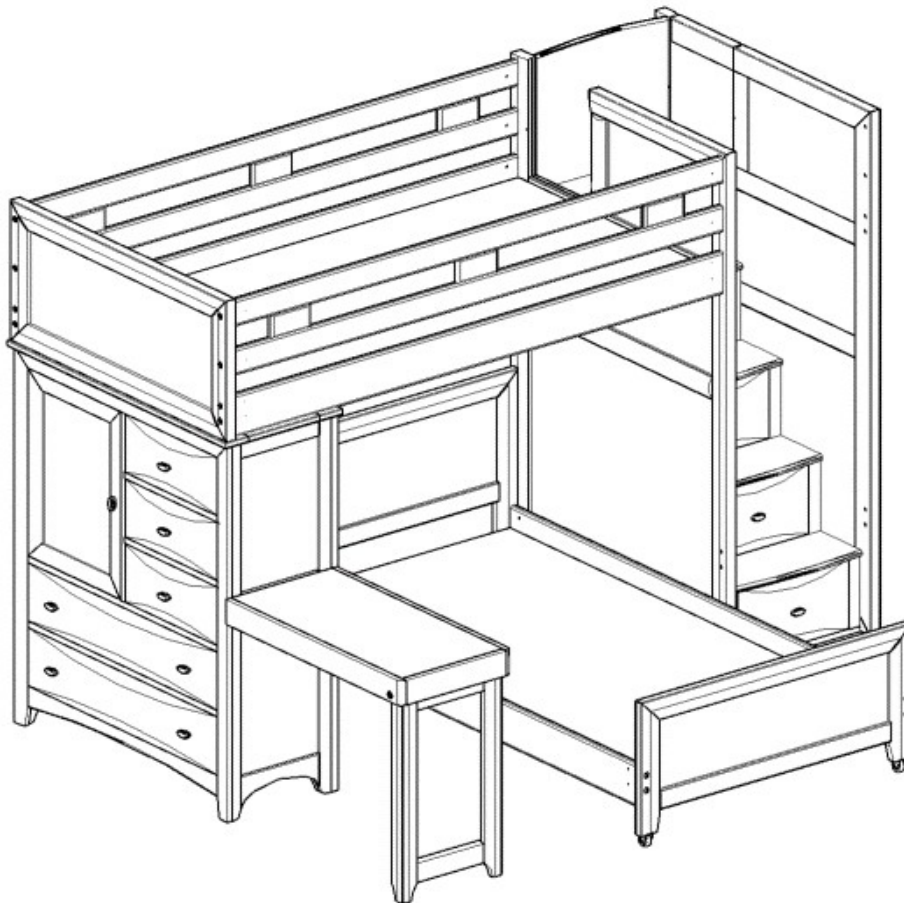
# ASSEMBLY INSTRUCTIONS

## STEP 16



For desk on the left, open the door and secure it with one 3/4" screw (from desk box hardware pack).

## STEP 17



**Place Bunkie boards (required, sold separately) on top of the slats**

**Use only correct mattress dimensions and Bunkie board:**

Twin size mattress- 74" - 75" long and 37-1/2" - 38-1/2" wide

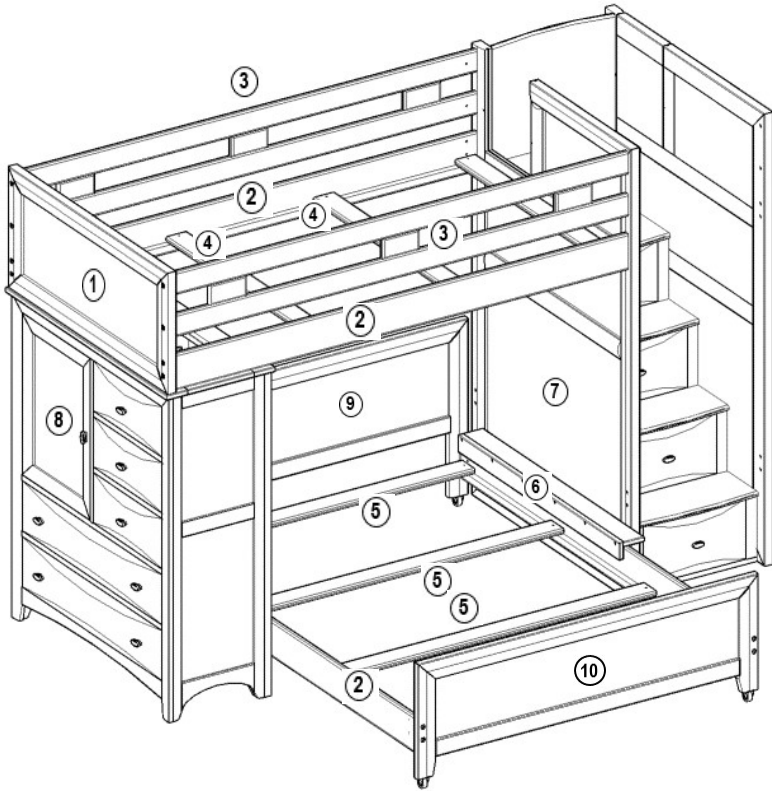
Twin size Bunkie board- 74" long and 37-1/2" wide

Full size mattress- 74" - 75" long and 52-1/2" - 53-1/2" wide

Full size Bunkie board- 74" long and 52-1/2" wide

PLEASE CONTACT YOUR RETAIL STORE WITH SERVICE OR PARTS REPLACEMENT REQUEST


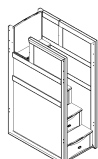

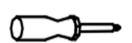

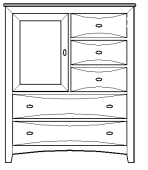


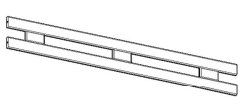









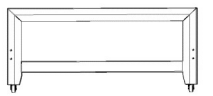
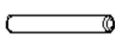


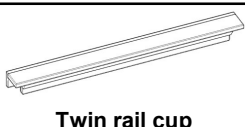
# PARTS LIST



3612360P TWIN/FULL STEP LOFT W/CHEST WALNUT		
RTG SKU #	STYLE #	ITEM DESCRIPTION
35723609	3260160	STEP BUNK UNIT
35623607	3260705	TWIN TOP BUNKBED END
36623608	3260730	4 SIDE RLS/2 GUARD RLS
35923603	3260711	5 DRW. LOFT CHEST
36323602	3260709	FULL BOTTOM HD/FT
36823602	3260735	TWIN RAIL CUP
38000232	100-645	TWIN SLAT PACK (4)
38100234	100-646	FULL SLAT PACK (4)
36123608	3260601	FOLDING DESK (OPTIONAL)

3611326P TWIN/FULL STEP LOFT W/CHEST WHITE		
RTG SKU #	STYLE #	ITEM DESCRIPTION
35713266	3261160	STEP BUNK UNIT
35613264	3261705	TWIN TOP BUNKBED END
36613265	3261730	4 SIDE RLS/2 GUARD RLS
35913260	3261711	5 DRW. LOFT CHEST
36313269	3261709	FULL BOTTOM HD/FT
36813269	3261735	TWIN RAIL CUP
38000232	100-645	TWIN SLAT PACK (4)
38100234	100-646	FULL SLAT PACK (4)
36113265	3261601	FOLDING DESK (OPTIONAL)

**WARNING**  
 The bed slats included with this bed will not support a mattress alone, this bed requires Bunkie boards (sold separately)

PARTS LIST		QTY	PARTS LIST		QTY	HARDWARE LIST		QTY	TOOLS NEEDED													
1		1 Pc	7		1 Pc	A		24 Pcs	Phillips screwdriver (not included) 													
2		4 Pc	8		1 Pc	B		1 Pc	Allen wrench (included) 													
3		2 Pc	9		1 Pc	C		16 Pcs	<b>FOLDING DESK HARDWARE</b> <table border="1" style="width: 100%; border-collapse: collapse;"> <tr> <td style="text-align: center;">C</td> <td></td> <td style="text-align: center;">2 Pcs</td> </tr> <tr> <td colspan="3" style="text-align: center;">1 1/4" Screws</td> </tr> <tr> <td style="text-align: center;">F</td> <td></td> <td style="text-align: center;">1 Pcs</td> </tr> <tr> <td colspan="3" style="text-align: center;">3/4" Screw</td> </tr> </table>		C		2 Pcs	1 1/4" Screws			F		1 Pcs	3/4" Screw		
C		2 Pcs																				
1 1/4" Screws																						
F		1 Pcs																				
3/4" Screw																						
4		4 Pc	10		1 Pc	D		2 Pcs														
5		4 Pc				E		4 Pcs														
6		1 Pc							<b>TWO PEOPLE ARE NEEDED TO ASSEMBLE</b> <b>DO NOT TIGHTEN COMPLETELY UNTIL ALL PIECES</b> <b>ARE CONNECTED TOGETHER</b>													

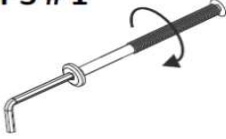


# ASSEMBLY INSTRUCTIONS

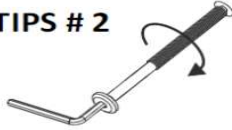
TIPS : SEE ILLUSTRATION BELOW

- 1- Use the long end of the allen wrench to fasten bolts loosely and quickly.
- 2- Use the short end of the allen wrench for final tightening

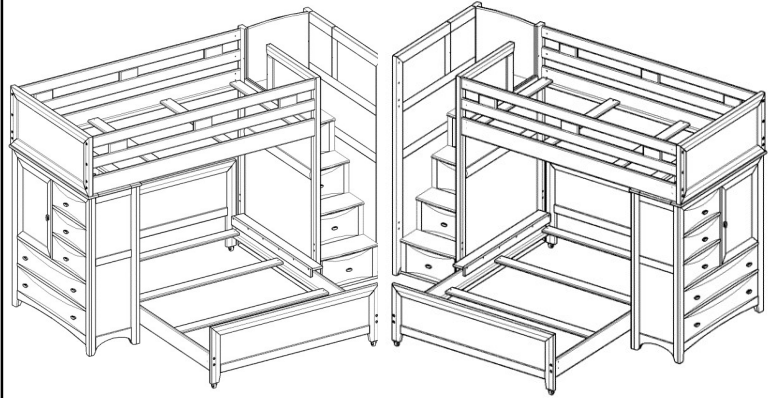
TIPS # 1



TIPS # 2

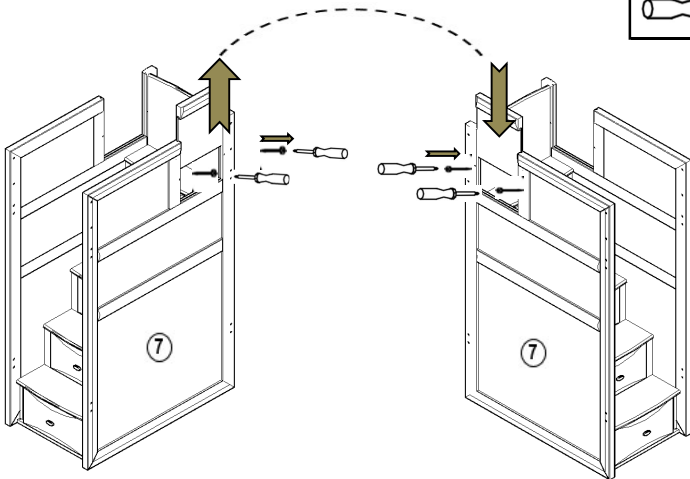


FIRST DETERMINE THE CONFIGURATION THAT FITS YOUR ROOM



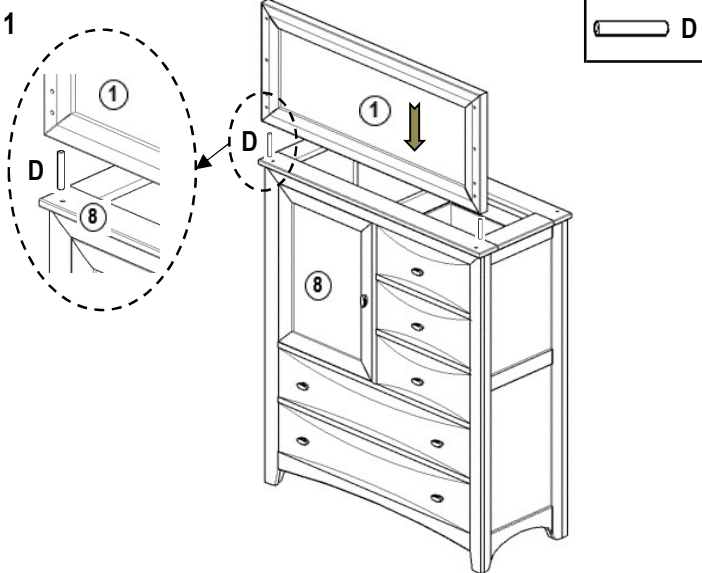
STAIRS ON THE RIGHT  
(Factory setting)

STAIRS ON THE LEFT



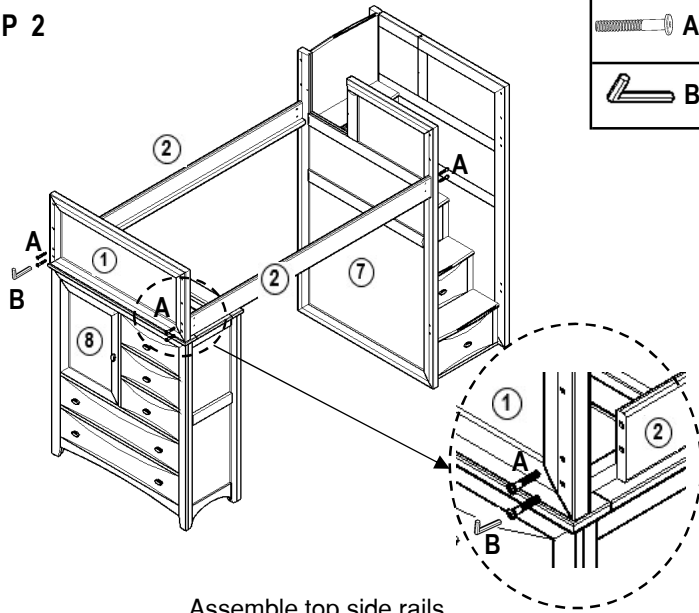
For stairs on the left, first remove the screws, then remove the panel and install it on the other side and secure with the screws.

STEP 1



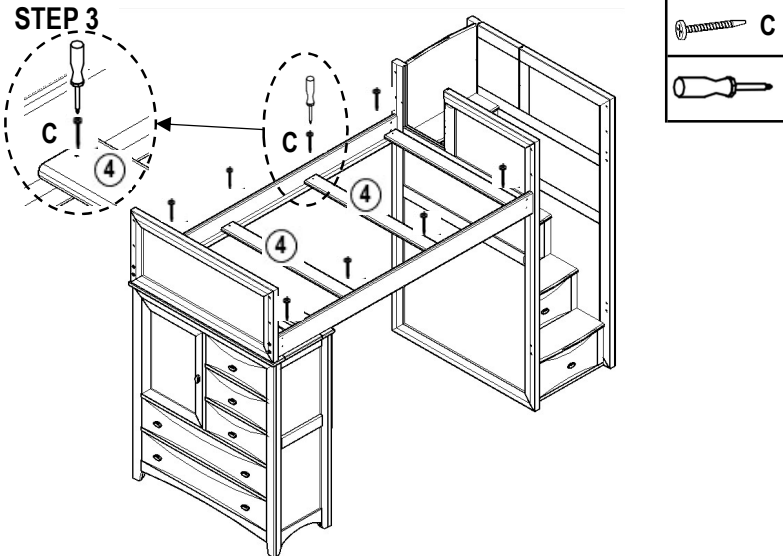
Assemble left chest and top bunk bed end.

STEP 2



Assemble top side rails.

STEP 3

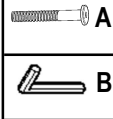
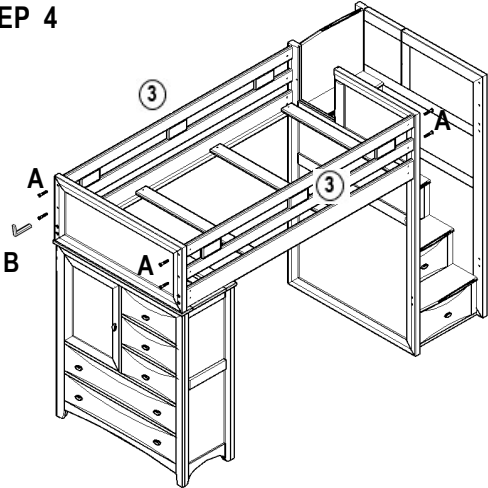


Install slats, one on each end, two equally spaced in the middle, then fasten with 1 1/4" screws.



# ASSEMBLY INSTRUCTIONS

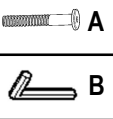
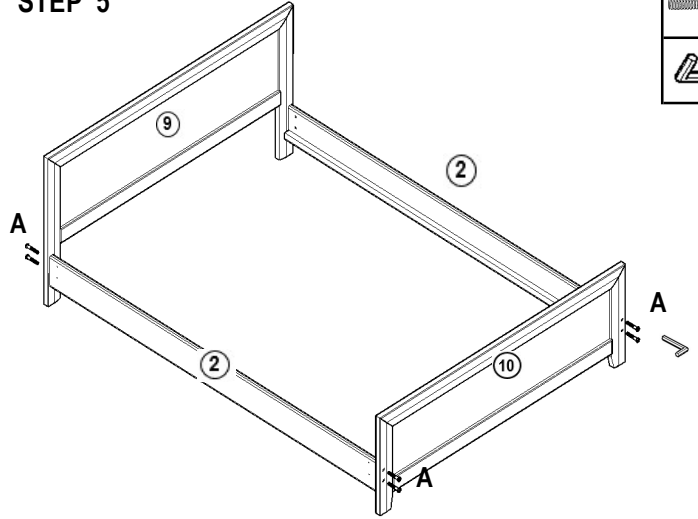
STEP 4



Assemble guardrails and tighten all bolts.

**MAKE SURE ALL BOLTS ARE TIGHTENED COMPLETELY**

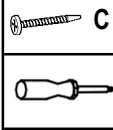
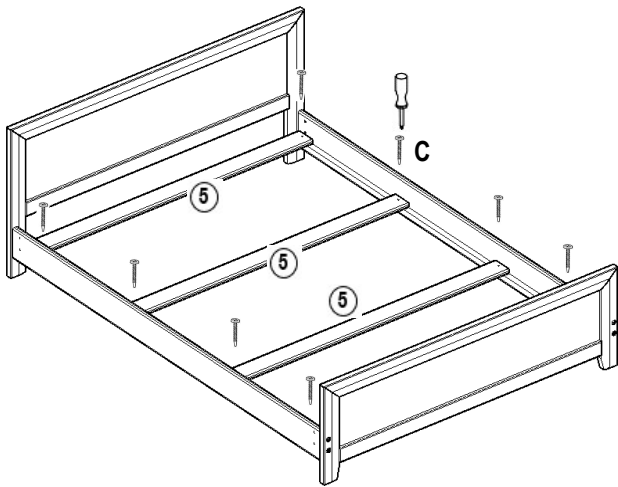
STEP 5



Assemble side rails

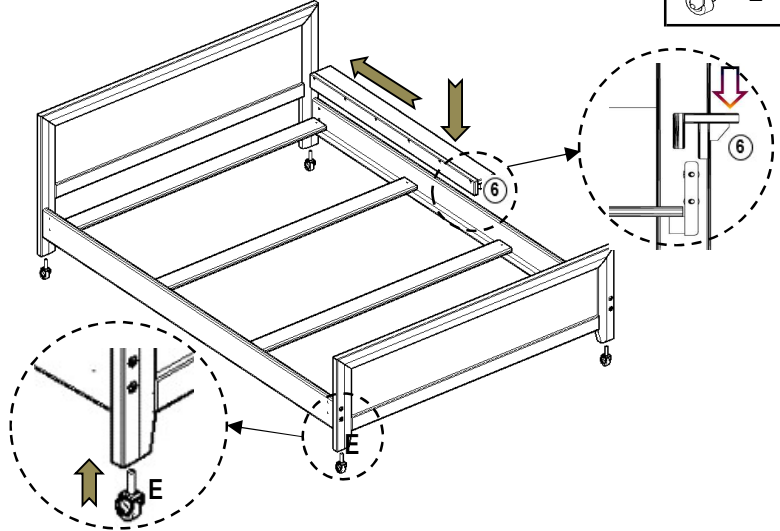
**MAKE SURE ALL BOLTS ARE TIGHTENED COMPLETELY**

STEP 6



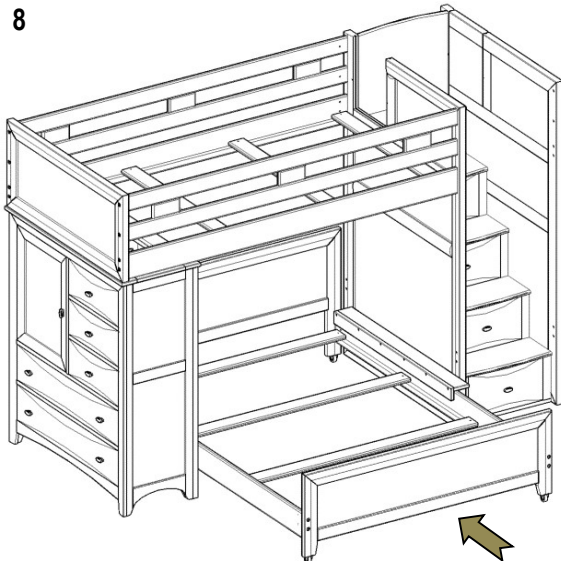
Install slats, one on each end and two equally spaced in the middle, then fasten with 1 1/4" screws

STEP 7



Install casters in headboard and footboard, and set rail cup.

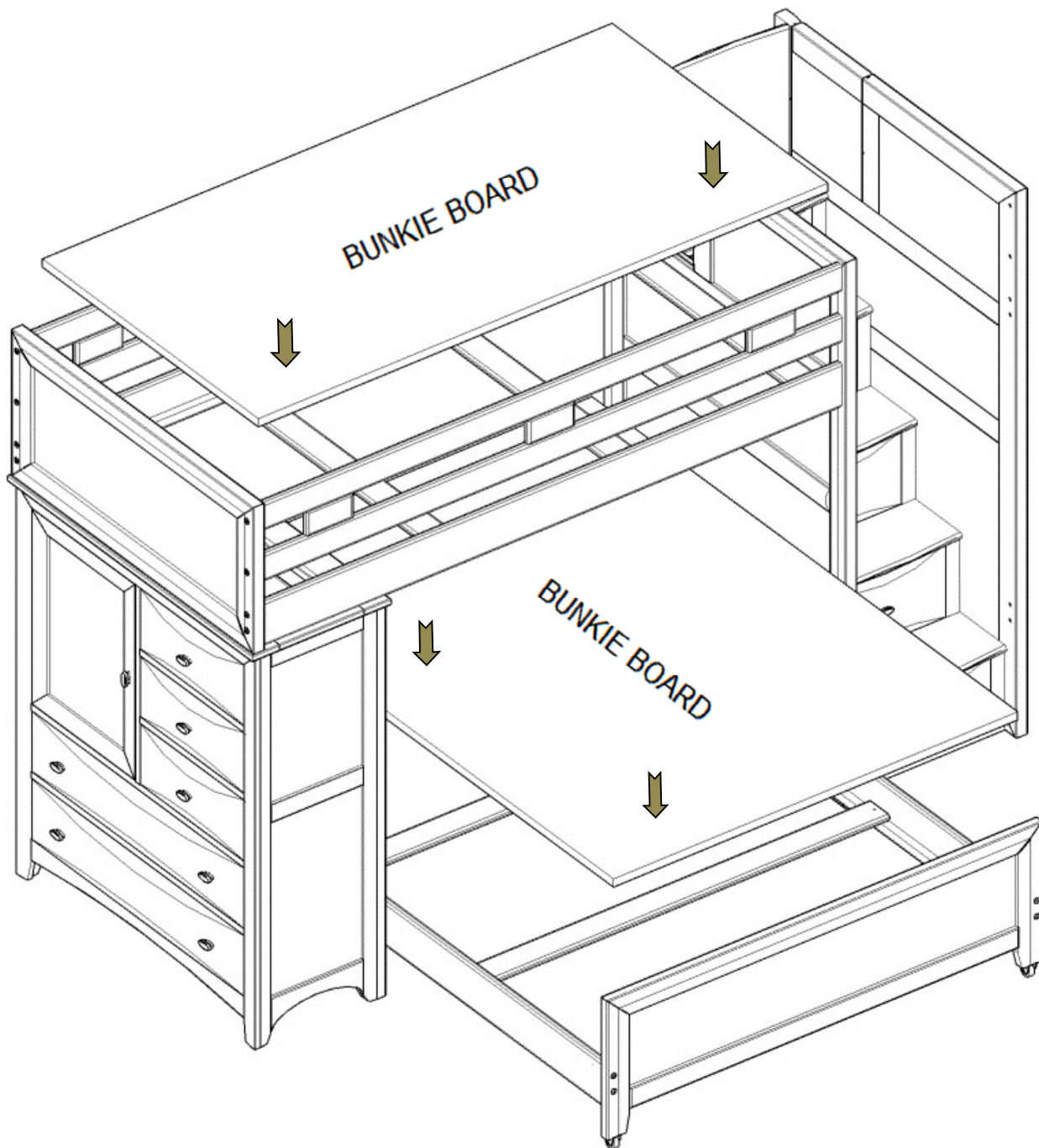
STEP 8



Slide Castor bed under Loft bed as shown.

# ASSEMBLY INSTRUCTIONS

## STEP 9



**Place Bunkie boards (required, sold separately) on top of the slats**

**Use only correct mattress dimensions and Bunkie board:**

Twin size mattress- 74" - 75" long and 37-1/2" - 38-1/2" wide

Twin size Bunkie board- 74" long and 37-1/2" wide

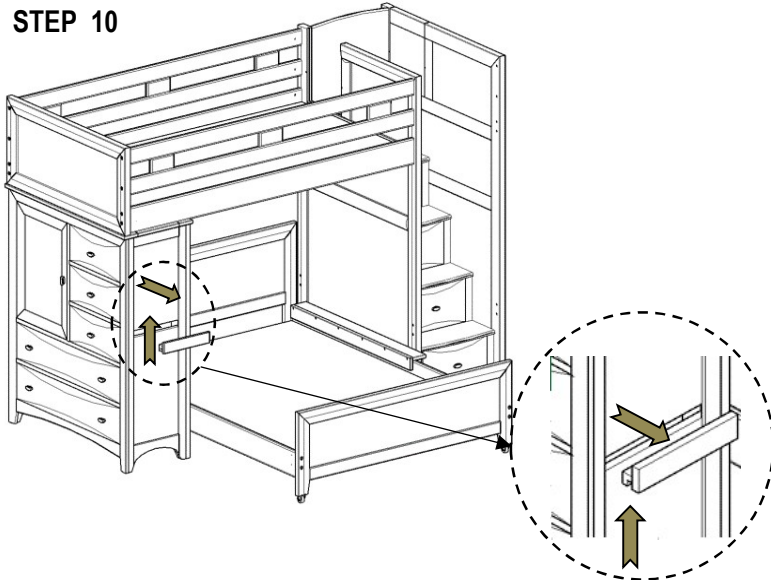
Full size mattress- 74" - 75" long and 52-1/2" - 53-1/2" wide

Full size Bunkie board- 74" long and 52-1/2" wide

**PLEASE CONTACT YOUR RETAIL STORE WITH SERVICE OR PARTS REPLACEMENT REQUEST**

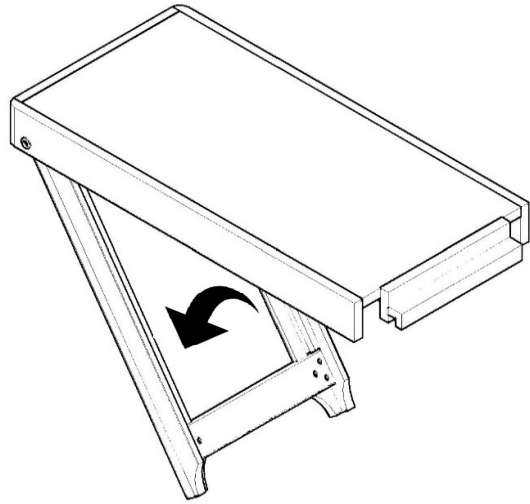
# ASSEMBLY INSTRUCTIONS

## STEP 10



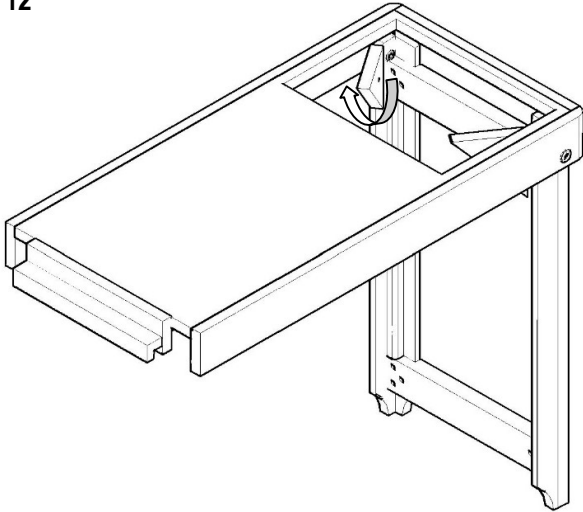
Remove center molding by lifting up then pulling out

## STEP 11



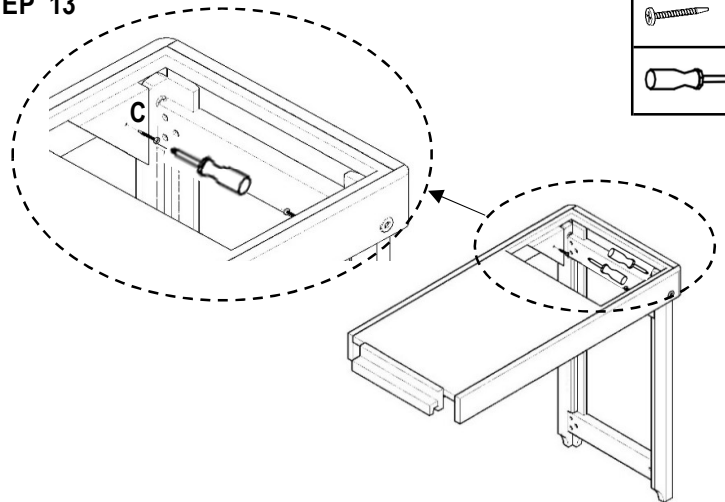
Unfold desk leg and look for hardware pack inside desk box.

## STEP 12



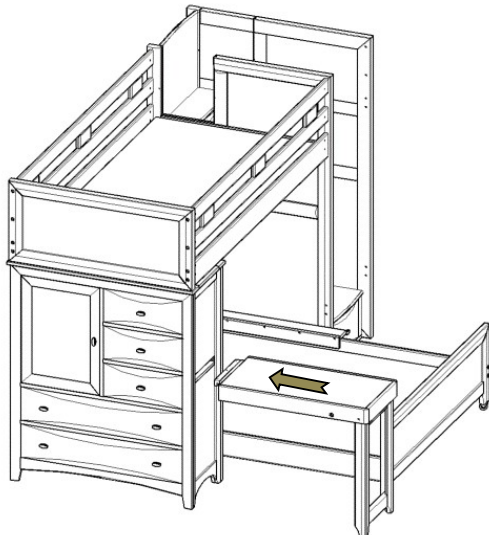
Unfold corner supports

## STEP 13



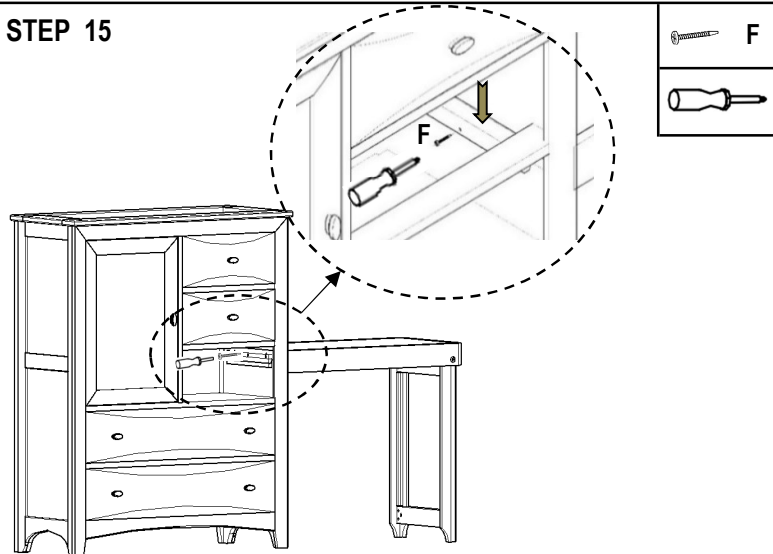
Secure each corner block with 1 1/4" screw (from desk box hardware pack) in the pre-bore hole.

## STEP 14



Place folding desk by sliding into the opening of loft chest then push down

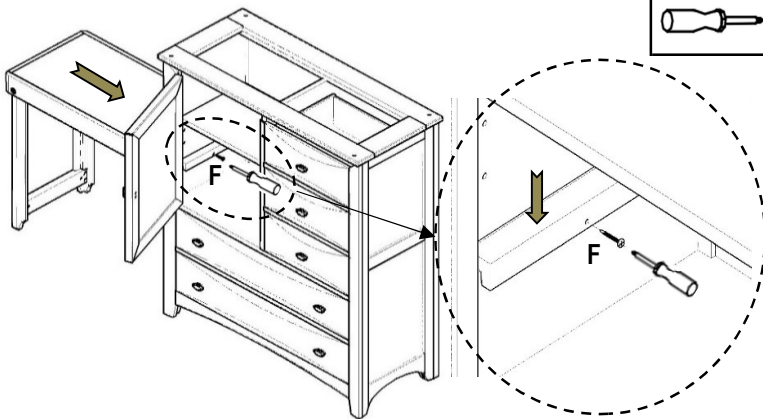
## STEP 15



**For desk on the right** remove third drawer, and secure desk with one 3/4" screw (from desk box hardware pack).

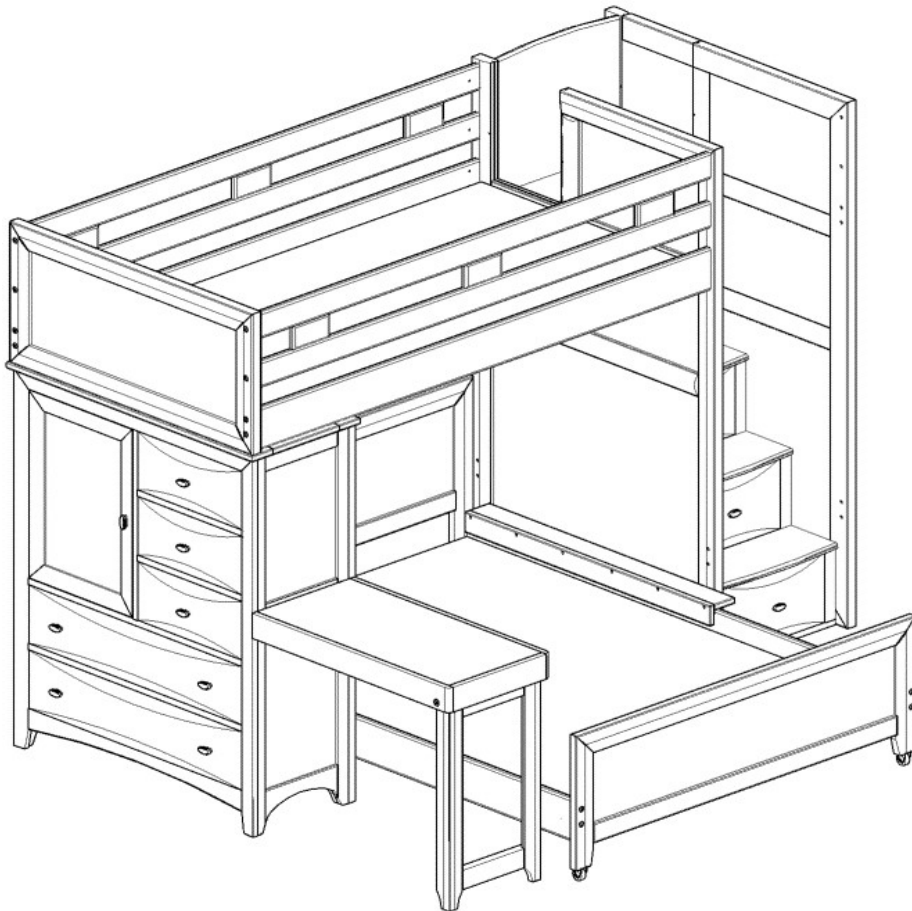
# ASSEMBLY INSTRUCTIONS

## STEP 16



For desk on the left, open the door and secure it with one 3/4" screw (from desk box hardware pack).

## STEP 17



**Place Bunkie boards (required, sold separately) on top of the slats**

**Use only correct mattress dimensions and Bunkie board:**

Twin size mattress- 74" - 75" long and 37-1/2" - 38-1/2" wide

Twin size Bunkie board- 74" long and 37-1/2" wide

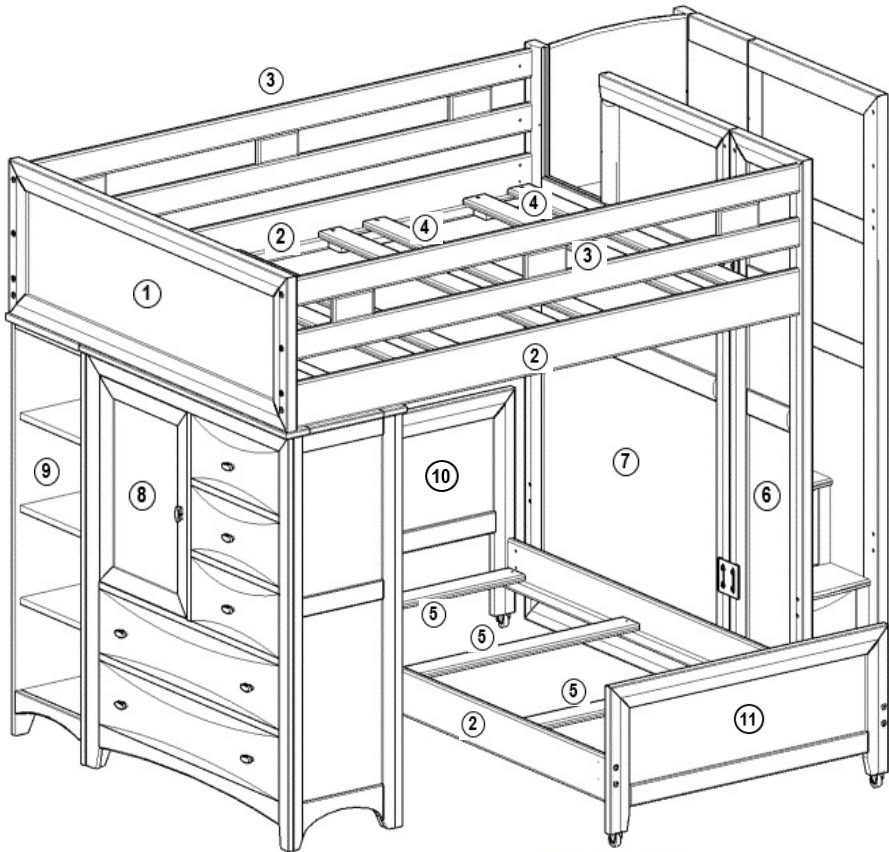
Full size mattress- 74" - 75" long and 52-1/2" - 53-1/2" wide

Full size Bunkie board- 74" long and 52-1/2" wide

PLEASE CONTACT YOUR RETAIL STORE WITH SERVICE OR PARTS REPLACEMENT REQUEST




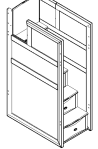





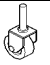
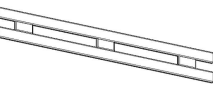
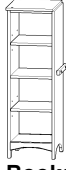


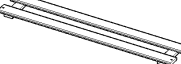

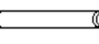
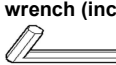

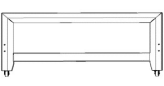

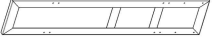



# PARTS LIST



3652360P FULL/TWIN STEP LOFT W/CHEST-BOOKCASE WALNUT		
RTG SKU #	STYLE #	ITEM DESCRIPTION
35723609	3260160	STEP BUNK UNIT
35823601	3260703	FULL TOP BUNKBED END
36623608	3260730	4 SIDE RLS/2 GUARD RLS
35923603	3260711	5 DRW. LOFT CHEST
36023606	3260760	LOFT BOOKSHELF
36423604	3260783	FULL/FULL EXT. KIT
36223600	3260707	TWIN BOTTOM HD/FT
38000232	100-645	TWIN SLAT PACK (4)
38300238	100-648	FULL BUNK SLATS
36123608	3260601	FOLDING DESK (OPTIONAL)

3651326P FULL/TWIN STEP LOFT W/CHEST-BOOKCASE WHITE		
RTG SKU #	STYLE #	ITEM DESCRIPTION
35713266	3261160	STEP BUNK UNIT
35813268	3261703	FULL TOP BUNKBED END
36613265	3261730	4 SIDE RLS/2 GUARD RLS
35913260	3261711	5 DRW. LOFT CHEST
36013263	3261760	LOFT BOOKSHELF
36413261	3261783	FULL/FULL EXT. KIT
36213267	3261707	TWIN BOTTOM HD/FT
38000232	100-645	TWIN SLAT PACK (4)
38300238	100-648	FULL BUNK SLATS
36113265	3261601	FOLDING DESK (OPTIONAL)

**WARNING**  
The bed slats included with this bed will not support a mattress alone, this bed requires Bunkie boards (sold separately)

PARTS LIST	QTY	PARTS LIST	QTY	HARDWARE LIST	QTY	HARDWARE LIST	QTY
1  Full top bunk bed end	1 Pc	7  Step bunk unit	1 Pc	A  50 mm Bolts	24 Pcs	G  Metal plates	2 Pcs
2  Side rails	4 Pc	8  5 Drw Loft chest	1 Pc	B  Allen wrench	1 Pc	H  Casters	4 Pcs
3  Guardrails	2 Pc	9  Loft Bookshelf	1 Pc	C  1 1/4" Screws	16 Pcs	<b>TOOLS NEEDED</b> Phillips screwdriver (not included) 	
4  Full slats	4 Pc	10  Headboard	1 Pc	D  Metal pin	2 Pcs	 Allen wrench (included)	
5  Twin slats	4 Pc	11  Footboard	1 Pc	E  Cup nut	8 Pcs	<b>FOLDING DESK HARDWARE</b>	
6  Ext. kit full/full	1 Pc			F  17 mm bolts	8 Pcs	C  1 1/4" Screws	2 Pcs
						J  3/4" Screw	1 Pcs

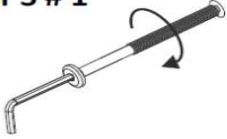
**TWO PEOPLE ARE NEEDED TO ASSEMBLE  
DO NOT TIGHTEN COMPLETELY UNTIL ALL PIECES  
ARE CONNECTED TOGETHER**

# ASSEMBLY INSTRUCTIONS

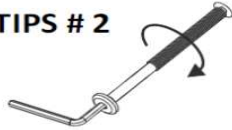
TIPS : SEE ILLUSTRATION BELOW

- 1- Use the long end of the allen wrench to fasten bolts loosely and quickly.
- 2- Use the short end of the allen wrench for final tightening

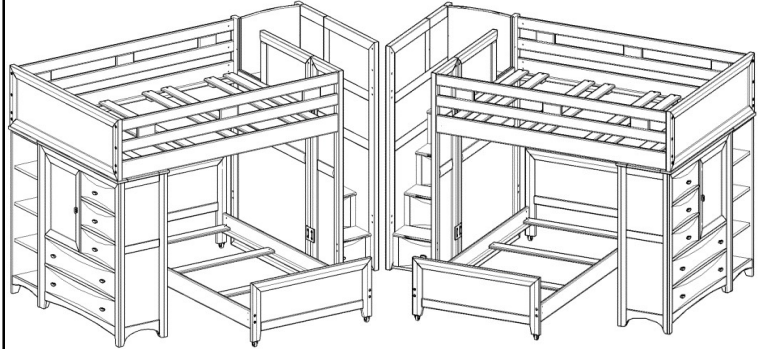
TIPS # 1



TIPS # 2



FIRST DETERMINE THE CONFIGURATION THAT FITS YOUR ROOM



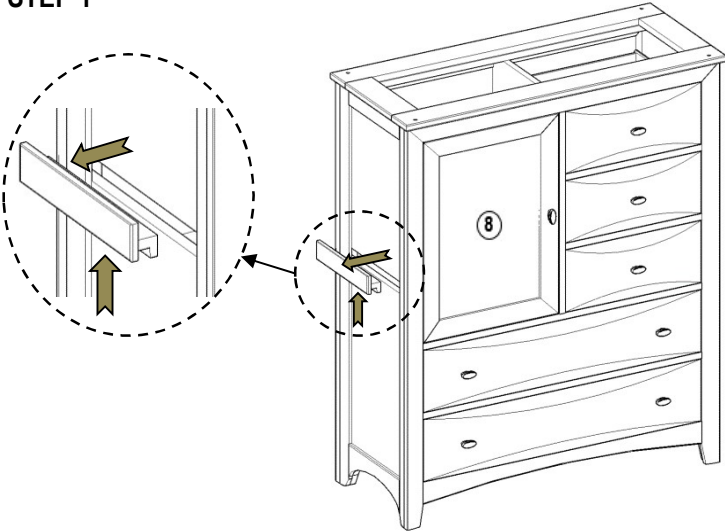
STAIRS ON THE RIGHT  
(Factory setting)

Step 1-15

STAIRS ON THE LEFT

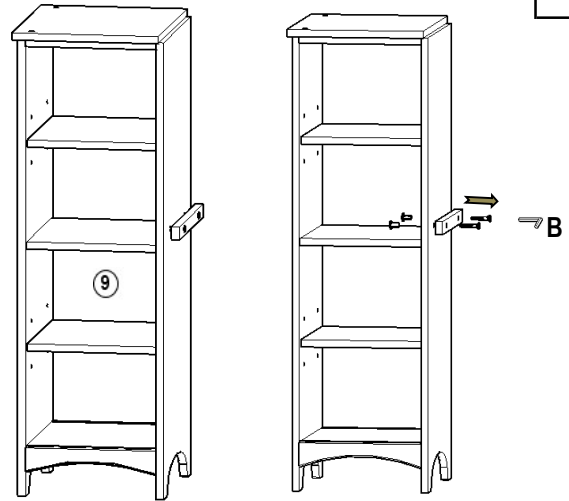
Step 16-31

STEP 1



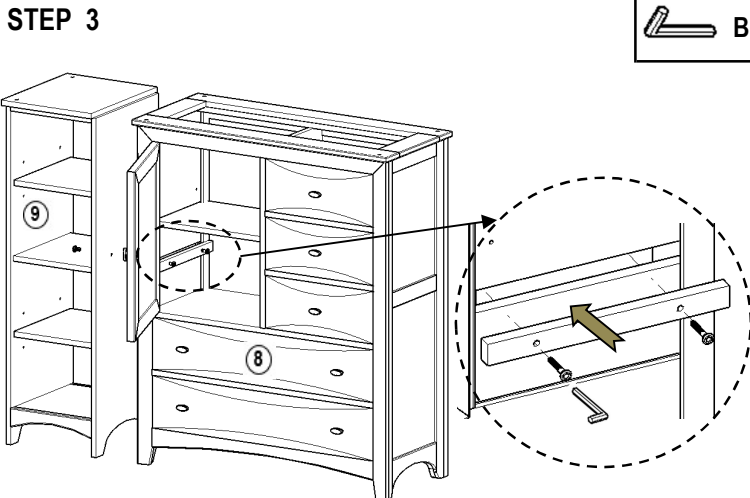
Remove center molding by lifting up then pulling out.

STEP 2



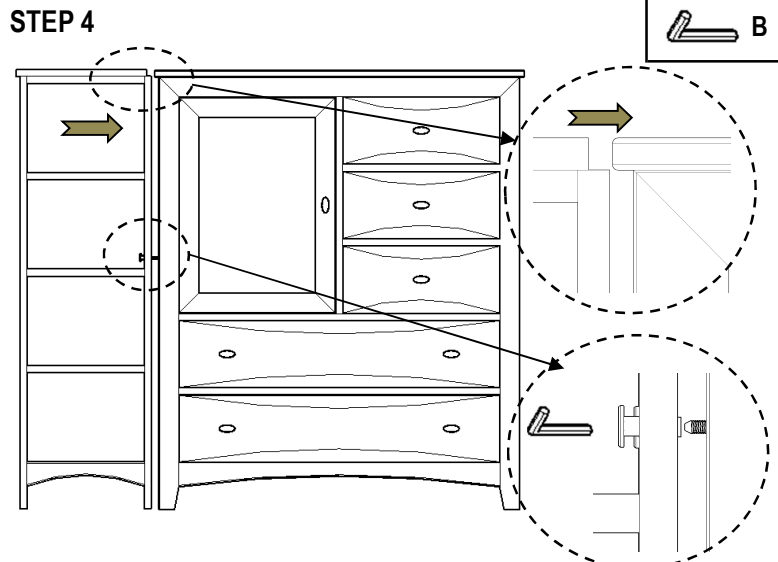
Remove fastening board and save for next step.

STEP 3



Assemble loft bookshelf and loft chest, using the fastening board and bolts previously removed as shown.

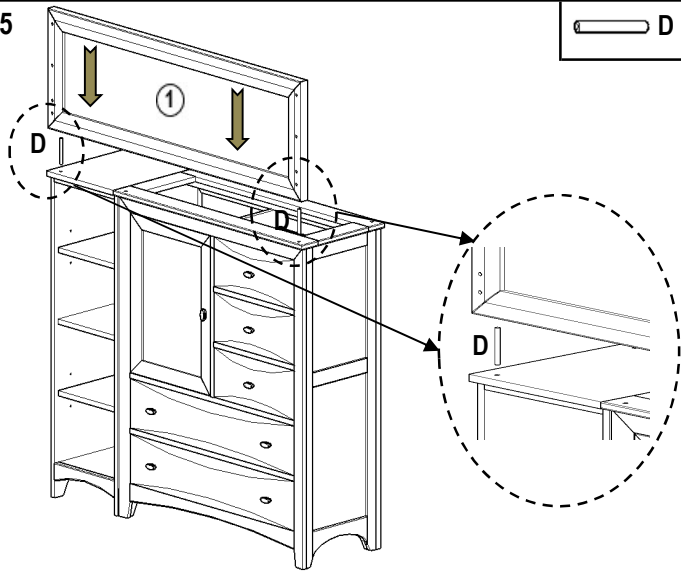
STEP 4



Align both pieces and tight completely.

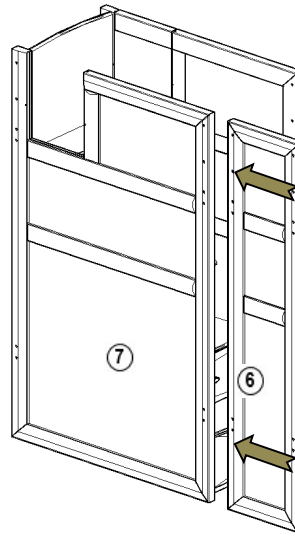
# ASSEMBLY INSTRUCTIONS

STEP 5



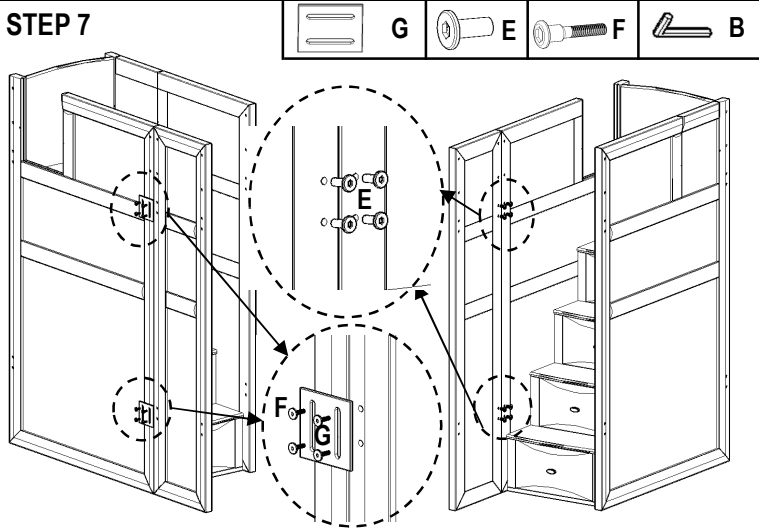
Assemble loft chest/loft bookshelf and top bunk bed end.

STEP 6



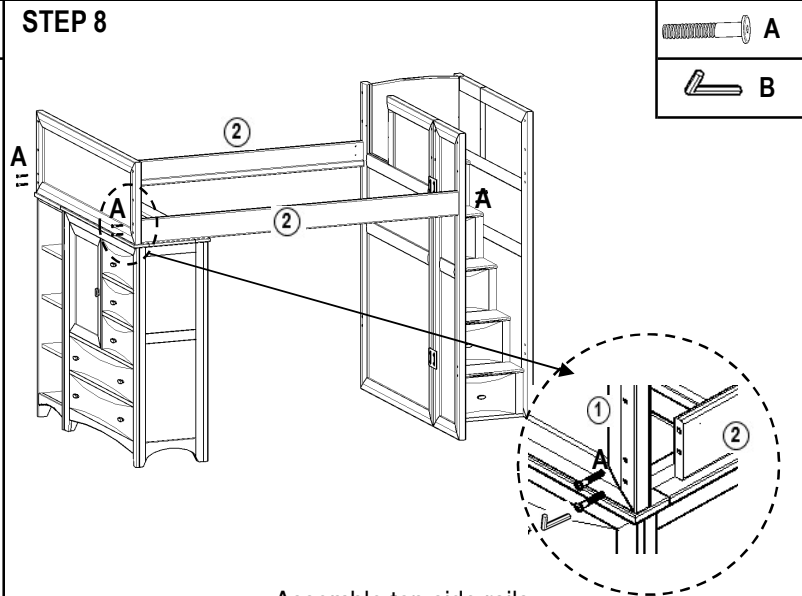
Assemble step bunk unit and extension kit, aligning inside and outside pattern and holes.

STEP 7



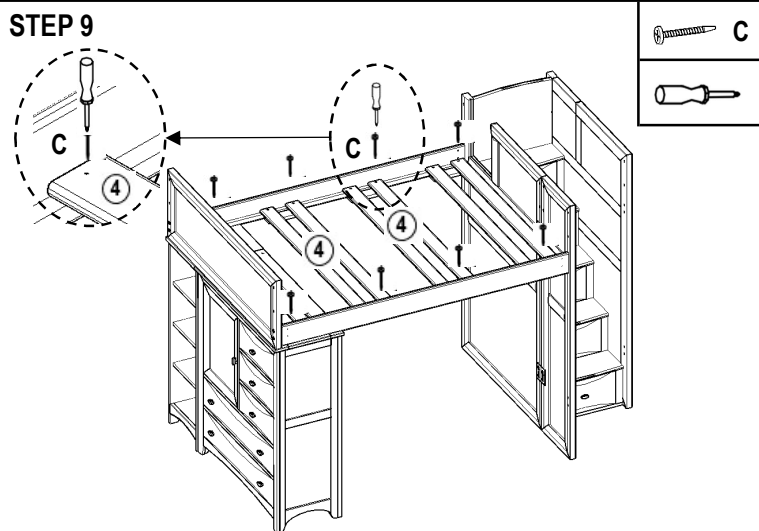
Fasten and make sure all bolts are tightened completely.

STEP 8



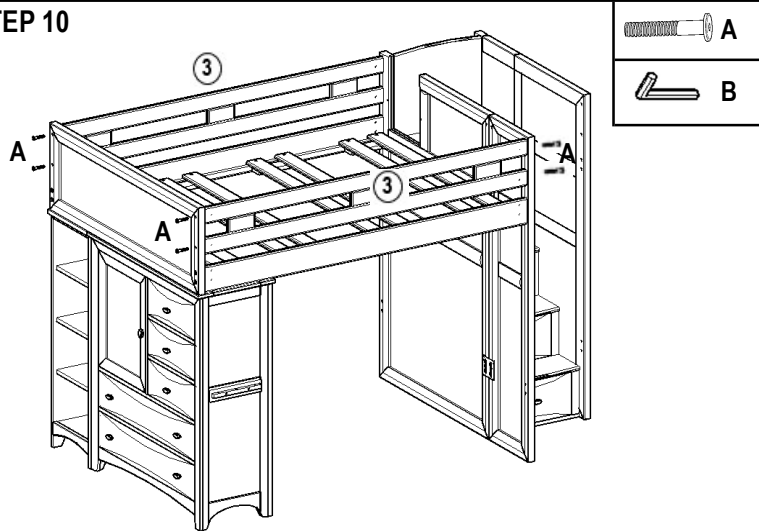
Assemble top side rails.

STEP 9



Install slats, one on each end, two equally spaced in the middle, then fasten with 1 1/4" screws.

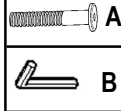
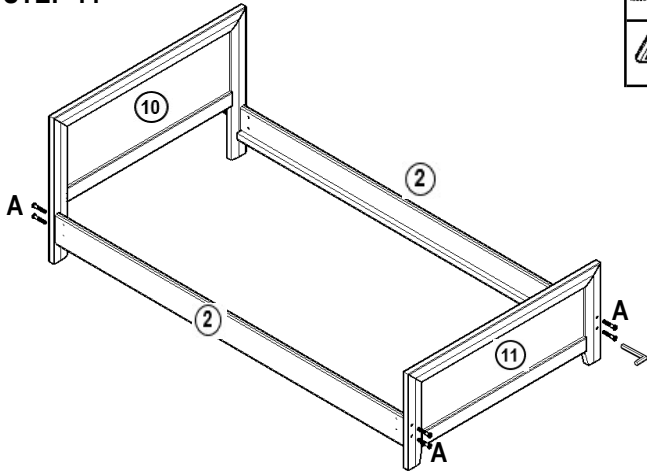
STEP 10



Assemble guardrails and tighten all bolts.  
**MAKE SURE ALL BOLTS ARE TIGHTENED COMPLETELY**

# ASSEMBLY INSTRUCTIONS

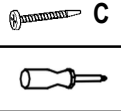
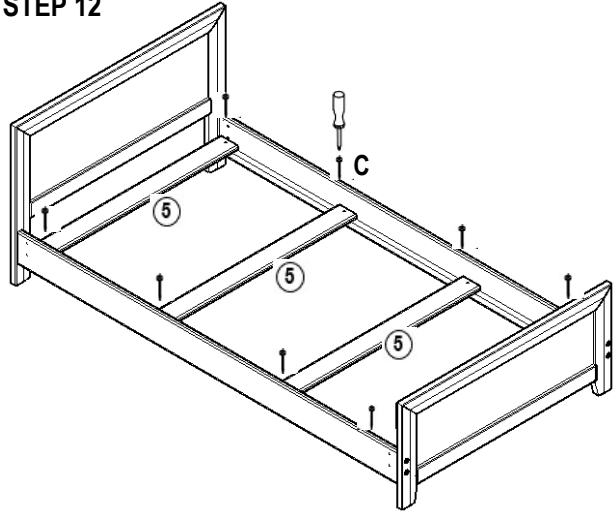
STEP 11



Assemble side rails

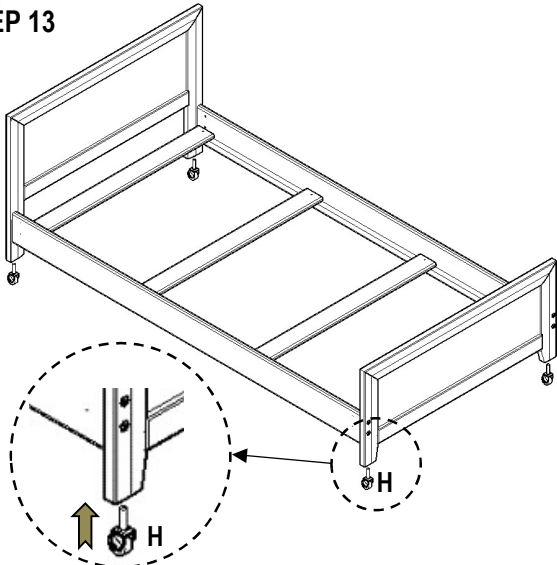
**MAKE SURE ALL BOLTS ARE TIGHTENED COMPLETELY**

STEP 12



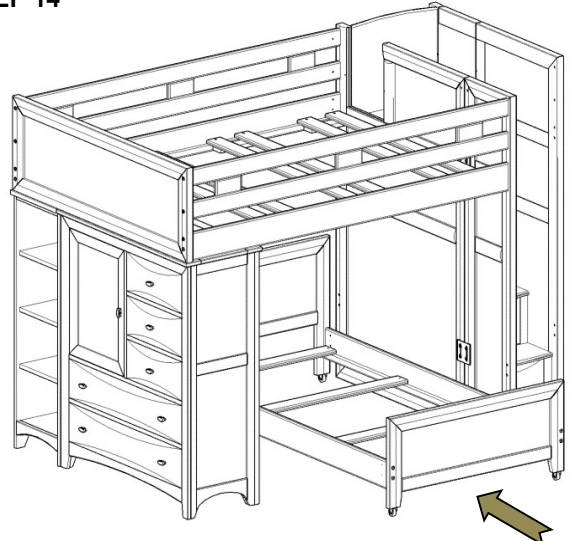
Install slats, one on each end and two equally spaced in the middle, then fasten with 1 1/4" screws

STEP 13



Install casters in headboard and footboard

STEP 14

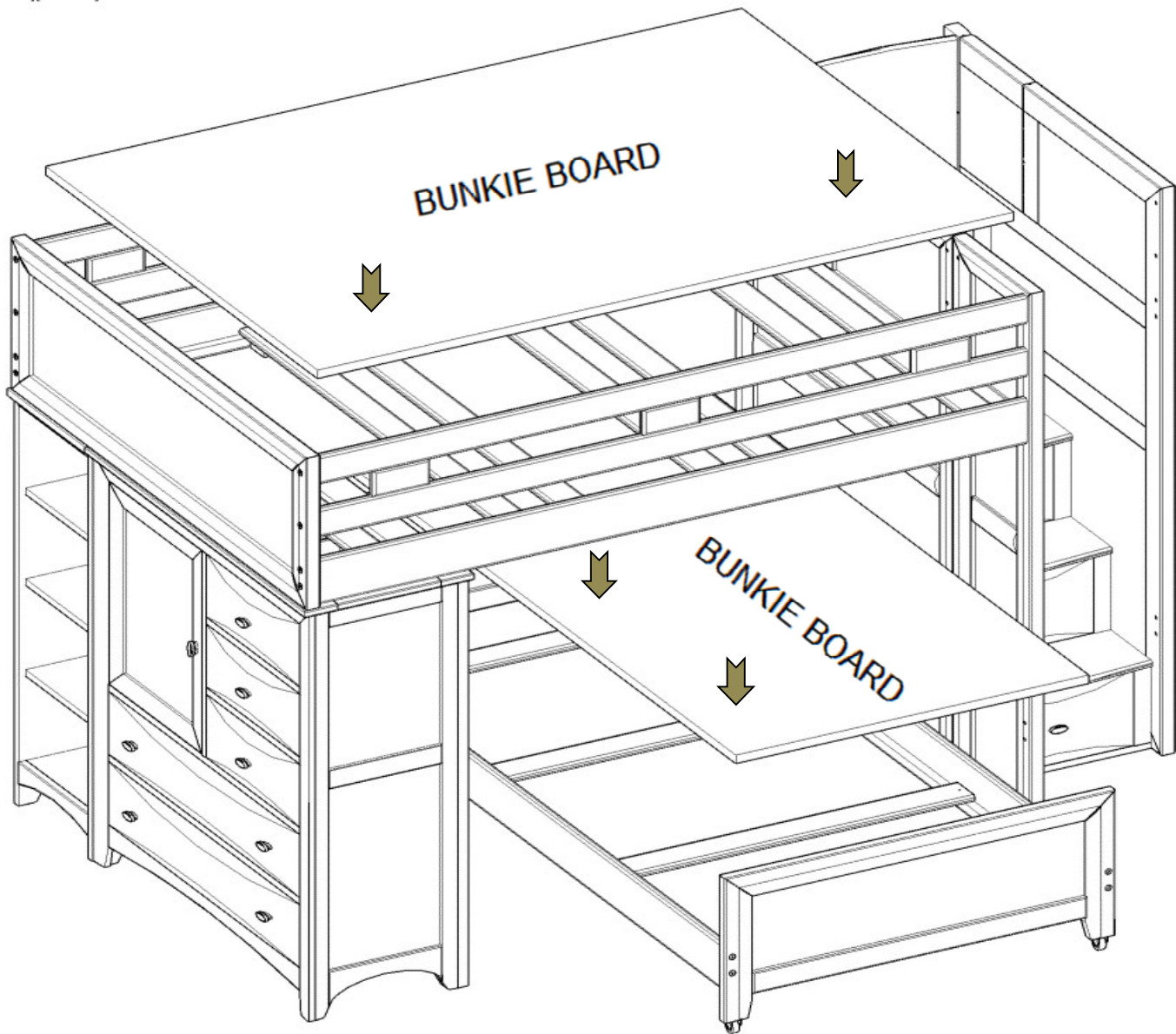


Slide Caster bed under loft bed as shown.



# ASSEMBLY INSTRUCTIONS

## STEP 15



**Place Bunkie boards (required, sold separately) on top of the slats**

**Use only correct mattress dimensions and Bunkie board:**

Twin size mattress- 74" - 75" long and 37-1/2" - 38-1/2" wide

Twin size Bunkie board- 74" long and 37-1/2" wide

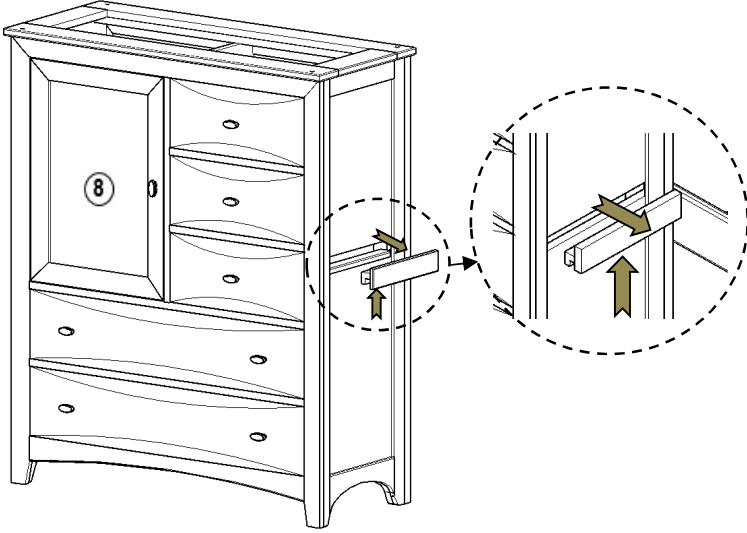
Full size mattress- 74" - 75" long and 52-1/2" - 53-1/2" wide

Full size Bunkie board- 74" long and 52-1/2" wide

PLEASE CONTACT YOUR RETAIL STORE WITH SERVICE OR PARTS REPLACEMENT REQUEST

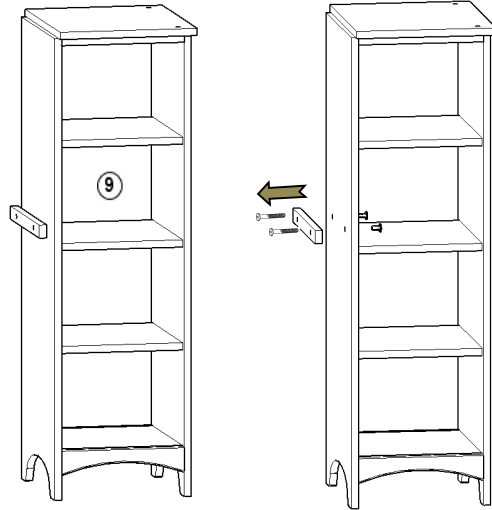
# ASSEMBLY INSTRUCTIONS

## STEP 16



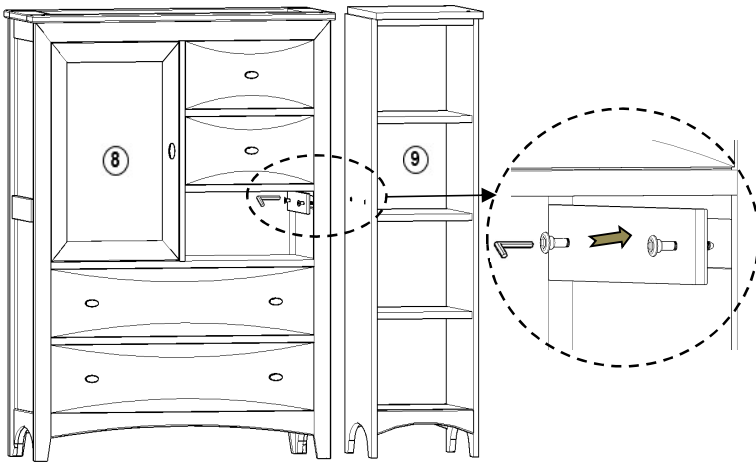
Remove center molding by lifting up then pulling out.

## STEP 17



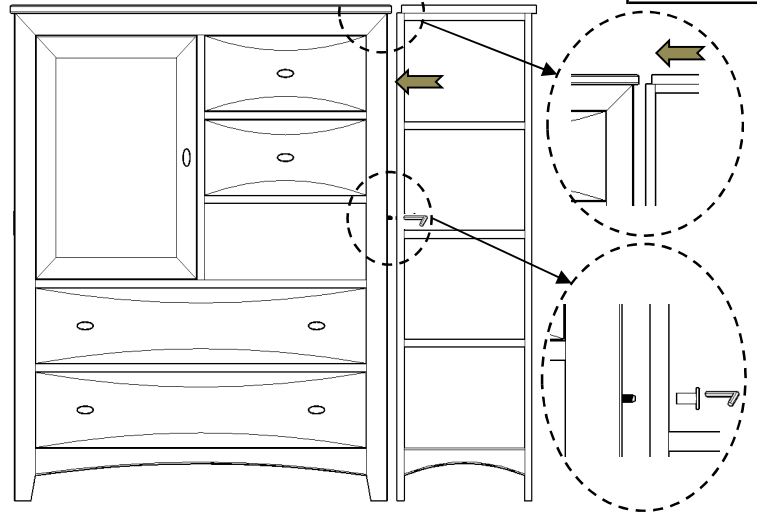
Remove fastening board and save for next step.

## STEP 18



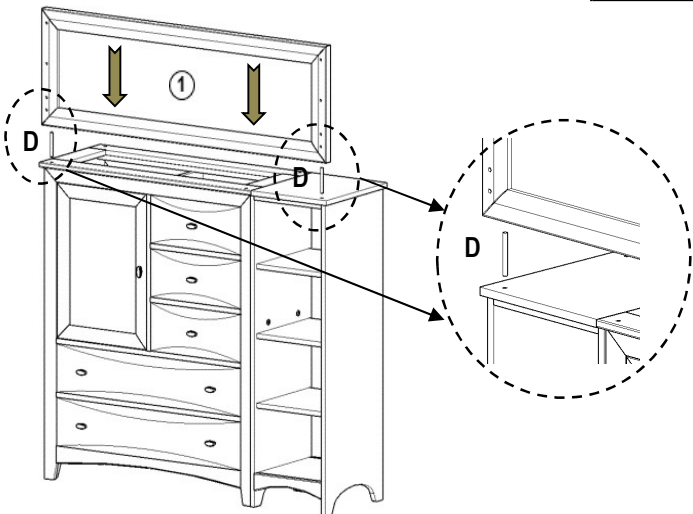
To assemble loft bookshelf and loft chest, first remove 3rd drawer and then use the fastening board and bolts previously removed as shown.

## STEP 19



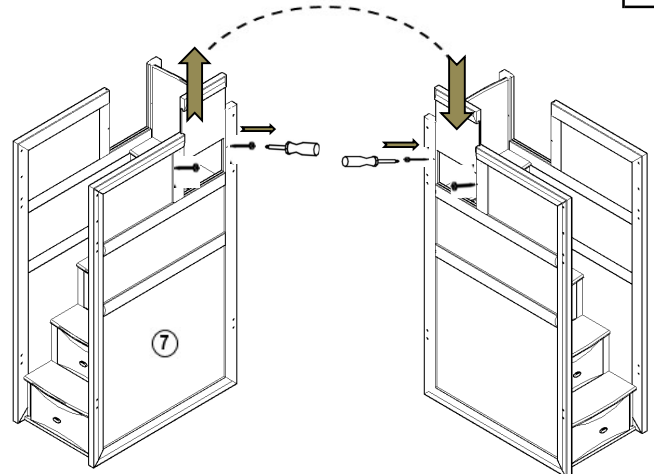
Align both pieces and tight completely.

## STEP 20



Assemble loft chest/loft bookshelf and top bunk bed end.

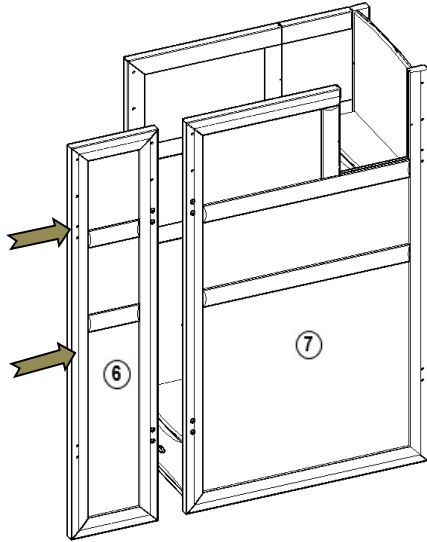
## STEP 21



For stairs on the left, first remove the screws, then remove the panel and install it on the other side and secure with the screws.

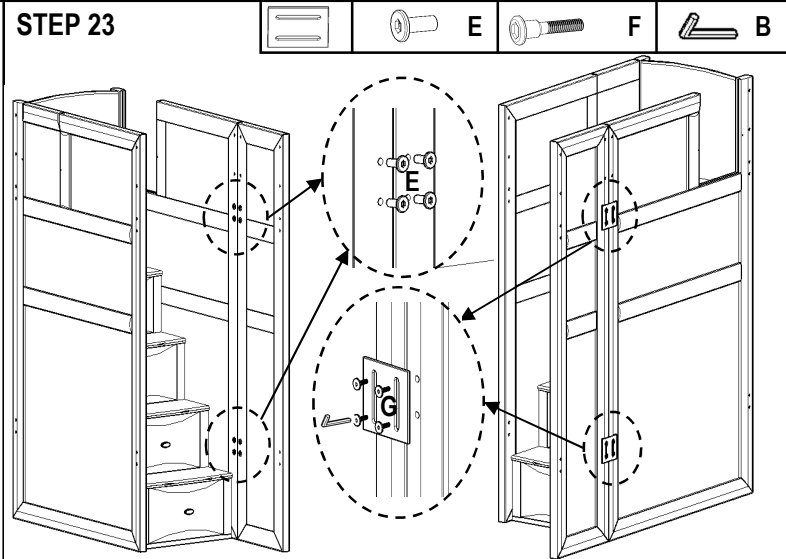
# ASSEMBLY INSTRUCTIONS

## STEP 22



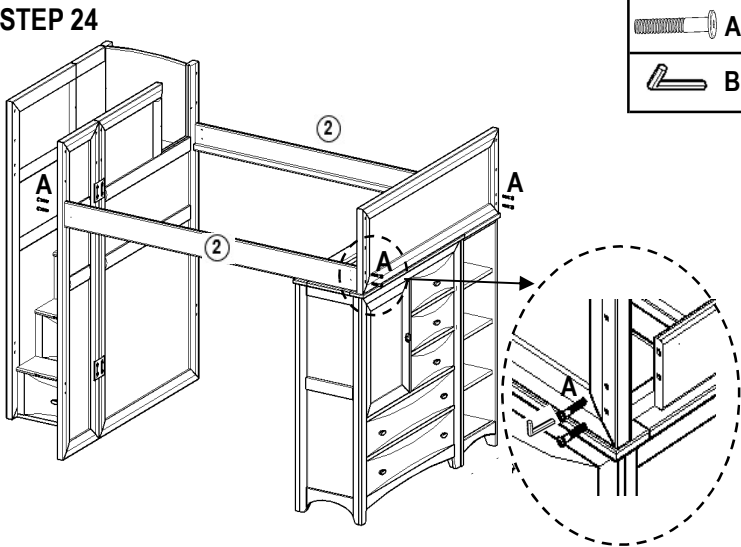
Assemble step bunk unit and extension kit, aligning inside and outside patterns and holes.

## STEP 23



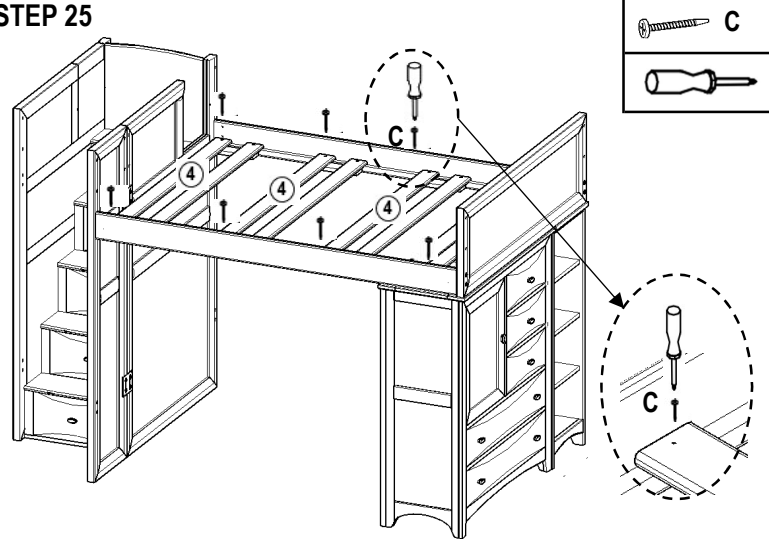
Fasten and **make sure all bolts are tightened completely.**

## STEP 24



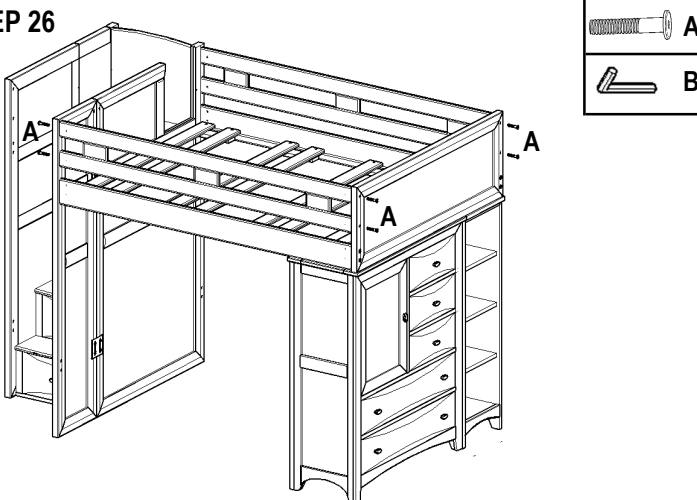
Assemble top side rails.

## STEP 25



Install slats, one on each end, two equally spaced in the middle, then fasten with 1 1/4" screws.

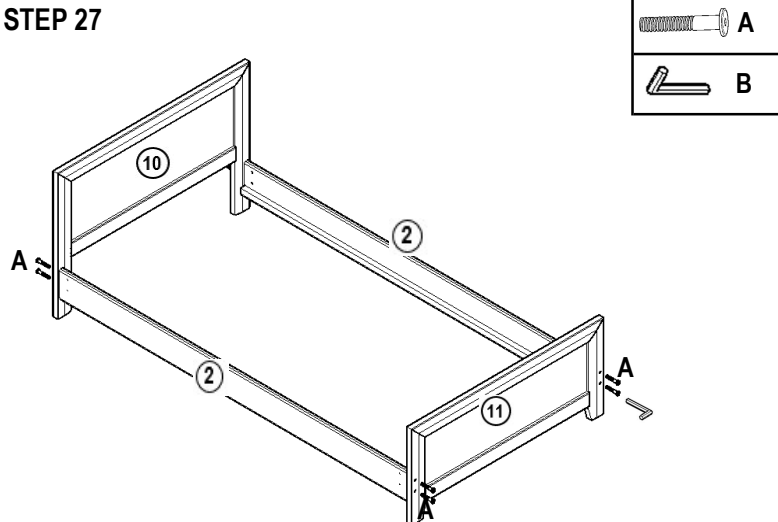
## STEP 26



Assemble guardrails and tighten all bolts.

**MAKE SURE ALL BOLTS ARE TIGHTENED COMPLETELY**

## STEP 27

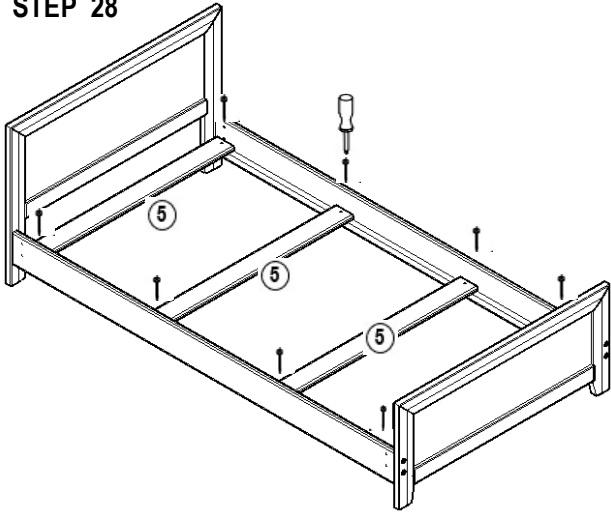


Assemble side rails

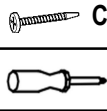
**MAKE SURE ALL BOLTS ARE TIGHTENED COMPLETELY**

# ASSEMBLY INSTRUCTIONS

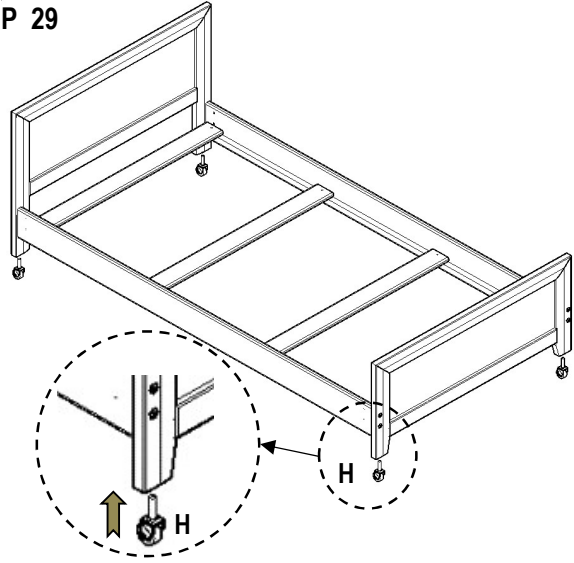
STEP 28



Install slats, one on each end and two equally spaced in the middle, then fasten with 1 1/4" screws



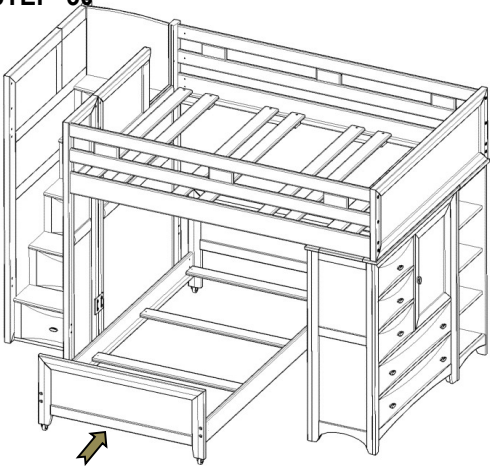
STEP 29



Install casters in headboard and footboard

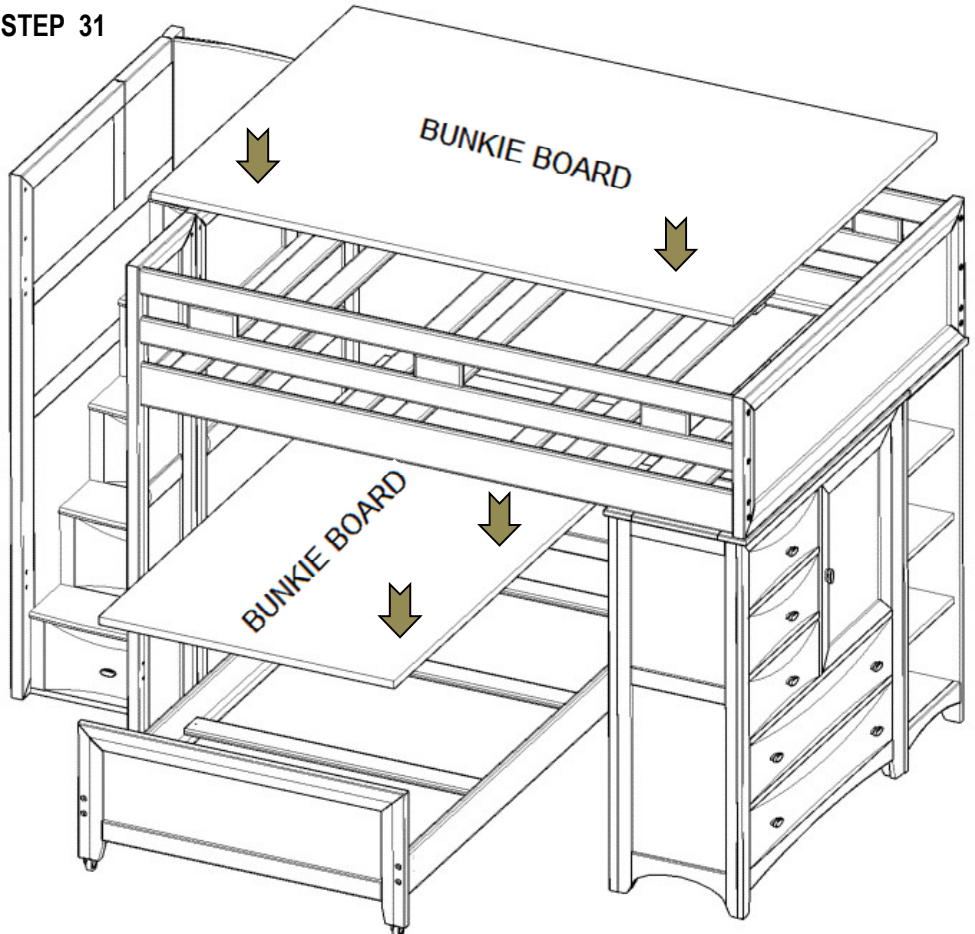


STEP 30



Slide Caster bed under loft bed as shown.

STEP 31



**Place Bunkie boards (required, sold separately) on top of the slats**

**Use only correct mattress dimensions and Bunkie board:**

Twin size mattress- 74" - 75" long and 37-1/2" - 38-1/2" wide

Twin size Bunkie board- 74" long and 37-1/2" wide

Full size mattress- 74" - 75" long and 52-1/2" - 53-1/2" wide

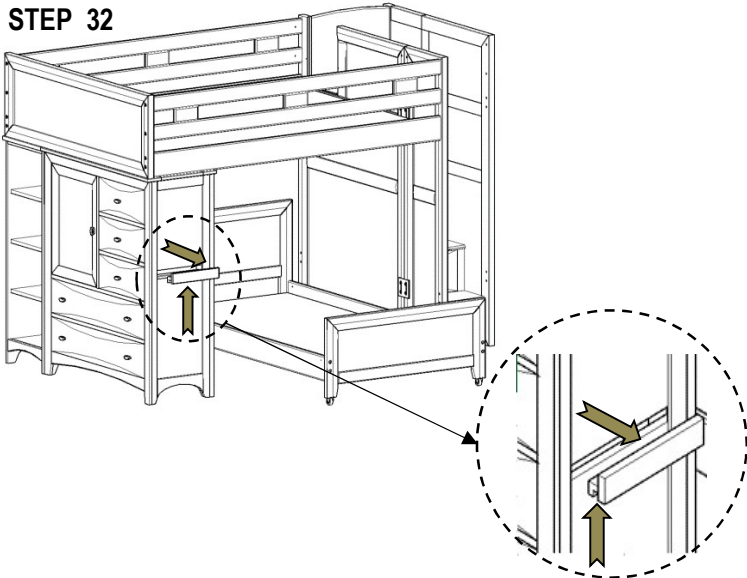
Full size Bunkie board- 74" long and 52-1/2" wide

PLEASE CONTACT YOUR RETAIL STORE WITH SERVICE OR PARTS REPLACEMENT REQUEST



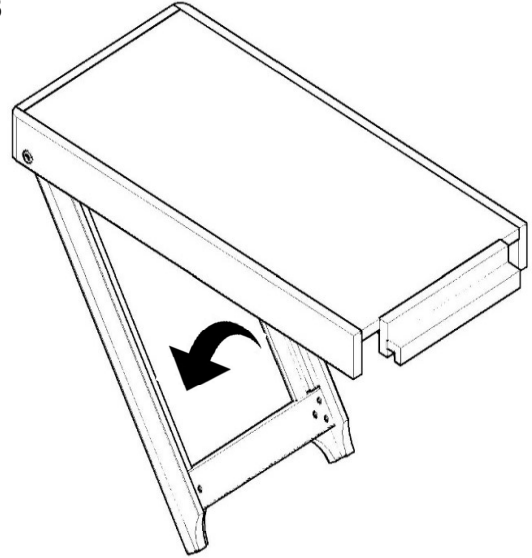
# ASSEMBLY INSTRUCTIONS

## STEP 32



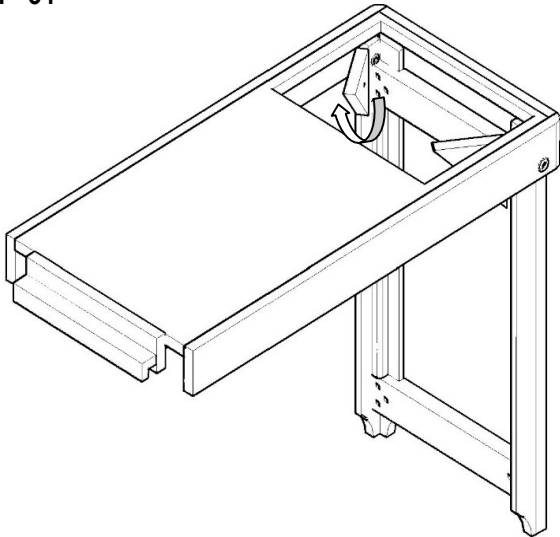
Remove center molding by lifting up then pulling out

## STEP 33



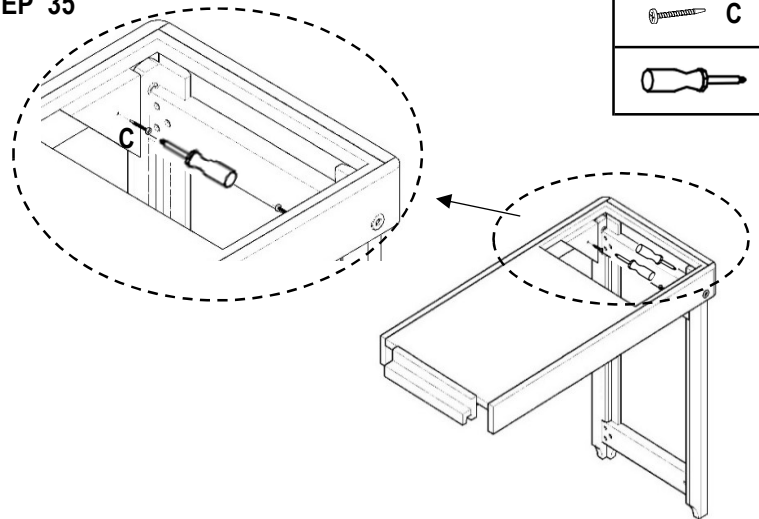
Unfold desk leg and look for hardware pack inside desk box.

## STEP 34



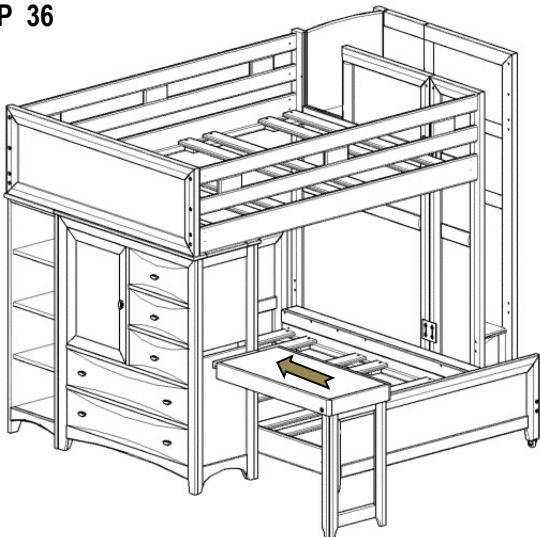
Unfold corner supports

## STEP 35



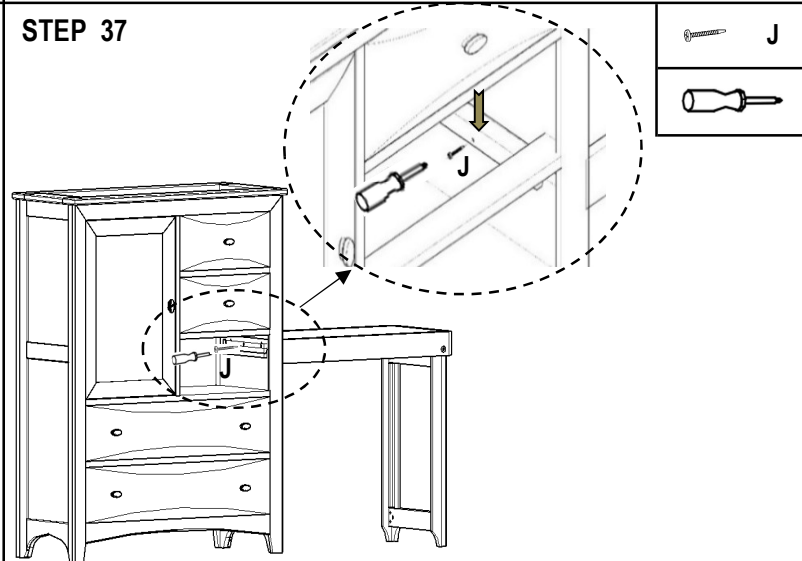
Secure each corner block with 1 1/4" screw (from desk box hardware pack) in the pre-bore hole.

## STEP 36



Place folding desk by sliding into the opening of loft chest then push down

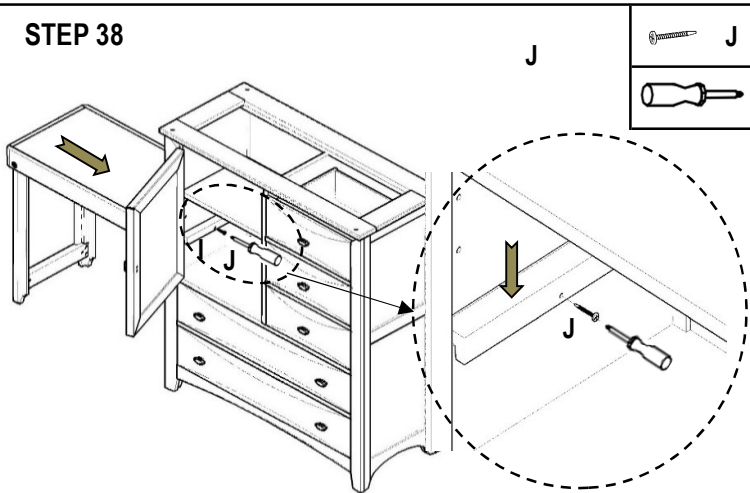
## STEP 37



**For desk on the right** remove third drawer, and secure desk with one 3/4" screw (from desk box hardware pack).

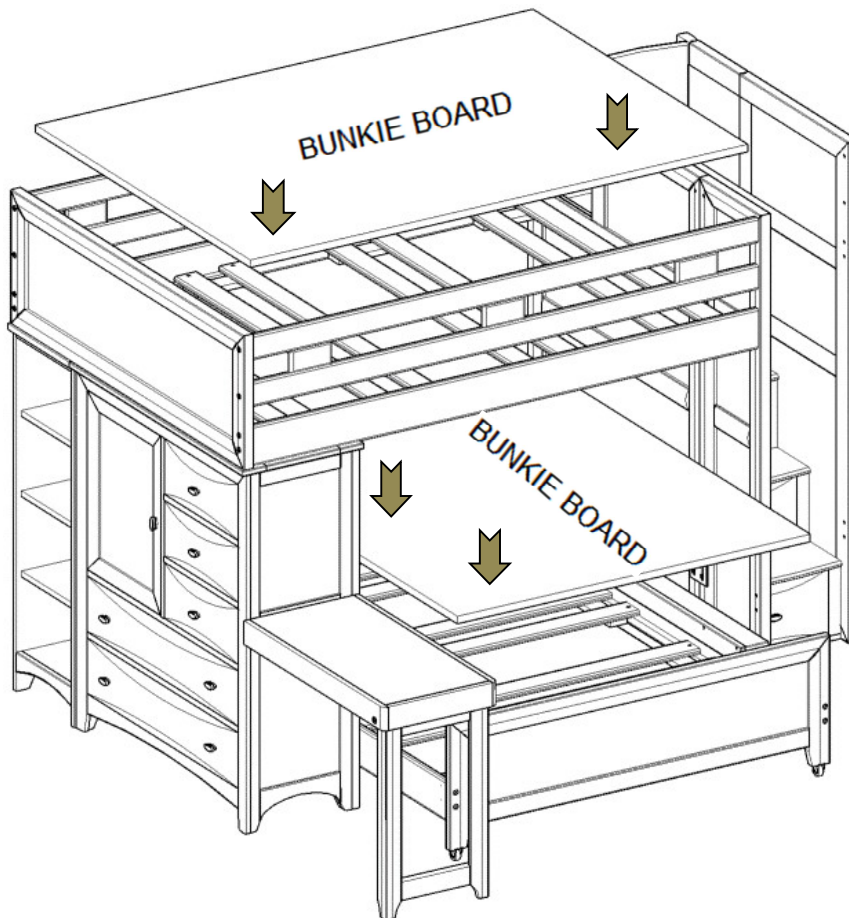
# ASSEMBLY INSTRUCTIONS

## STEP 38



For desk on the left, open the door and secure it with one 3/4" screw (from desk box hardware pack).

## STEP 39



**Place Bunkie boards (required, sold separately) on top of the slats**

**Use only correct mattress dimensions and Bunkie board:**

Twin size mattress- 74" - 75" long and 37-1/2" - 38-1/2" wide

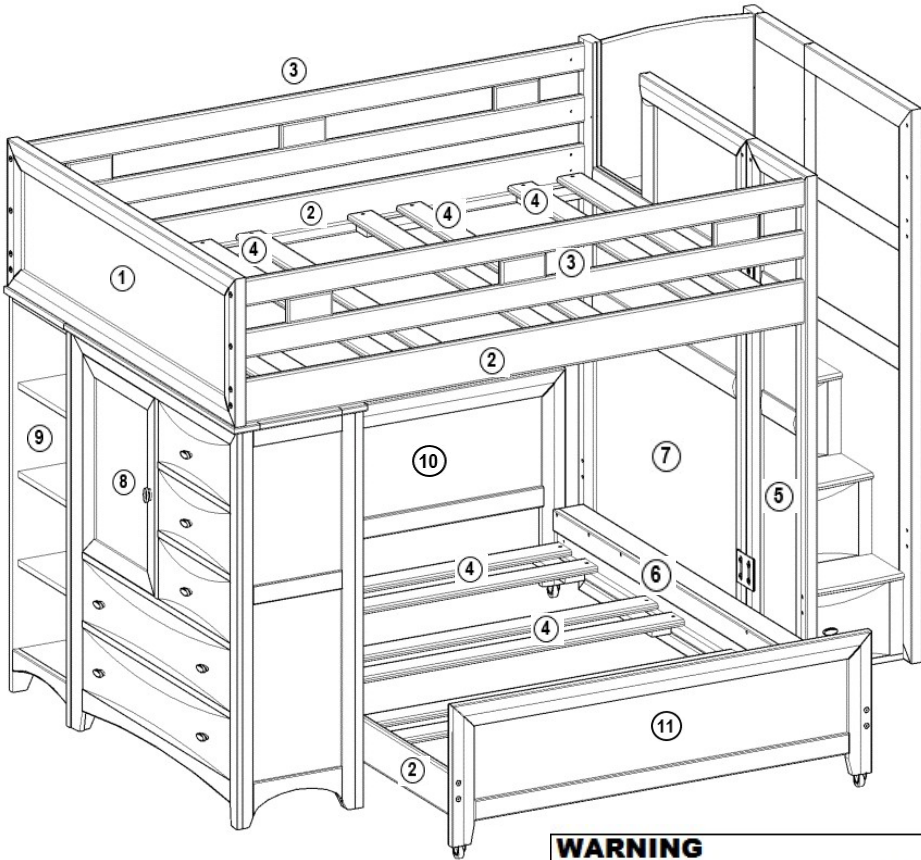
Twin size Bunkie board- 74" long and 37-1/2" wide

Full size mattress- 74" - 75" long and 52-1/2" - 53-1/2" wide

Full size Bunkie board- 74" long and 52-1/2" wide

PLEASE CONTACT YOUR RETAIL STORE WITH SERVICE OR PARTS REPLACEMENT REQUEST


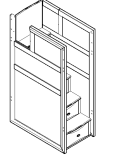

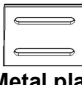


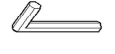
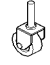

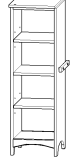
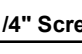
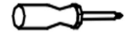
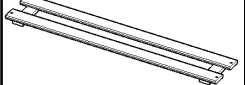
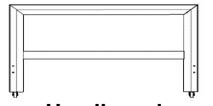
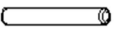

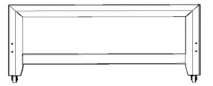
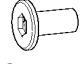

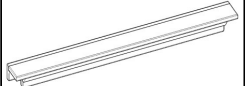
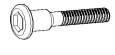

# PARTS LIST



3672360P FULL/FULL STEP LOFT W/CHEST-BOOKCASE WALNUT		
RTG SKU #	STYLE #	ITEM DESCRIPTION
35723609	3260160	STEP BUNK UNIT
35823601	3260703	FULL TOP BUNKBED END
36623608	3260730	4 SIDE RLS/2 GUARD RLS
35923603	3260711	5 DRW. LOFT CHEST
36023606	3260760	LOFT BOOKSHELF
36423604	3260783	FULL/FULL EXT. KIT
36323602	3260709	FULL BOTTOM HD/FT
36923604	3260736	FULL RAIL CUP
38300238	100-648	FULL BUNK SLATS
38300238	100-648	FULL BUNK SLATS
36123608	3260601	FOLDING DESK (OPTIONAL)

3671326P FULL/FULL STEP LOFT W/CHEST-BOOKCASE WHITE		
RTG SKU #	STYLE #	ITEM DESCRIPTION
35713266	3261160	STEP BUNK UNIT
35813268	3261703	FULL TOP BUNKBED END
36613265	3261730	4 SIDE RLS/2 GUARD RLS
35913260	3261711	5 DRW. LOFT CHEST
36013263	3261760	LOFT BOOKSHELF
36413261	3261783	FULL/FULL EXT. KIT
36313269	3261709	FULL BOTTOM HD/FT
36913261	3261736	FULL RAIL CUP
38300238	100-648	FULL BUNK SLATS
38300238	100-648	FULL BUNK SLATS
36113265	3261601	FOLDING DESK (OPTIONAL)

**WARNING**  
 The bed slats included with this bed will not support a mattress alone, this bed requires Bunkie boards (sold separately)

PARTS LIST	QTY	PARTS LIST	QTY	HARDWARE LIST	QTY	HARDWARE LIST	QTY
1  Full top bunk bed end	1 Pc	7  Step bunk unit	1 Pc	A  50 mm Bolts	24 Pcs	G  Metal plates	2 Pcs
2  Side rails	4 Pc	8  5 Drw Loft chest	1 Pc	B  Allen wrench	1 Pc	H  Casters	4 Pcs
3  Guardrails	2 Pc	9  Loft Bookshelf	1 Pc	C  1 1/4" Screws	16 Pcs	<b>TOOLS NEEDED</b> Phillips screwdriver (not included) 	
4  Full slats	8 Pc	10  Headboard	1 Pc	D  Metal pin	2 Pcs	<b>FOLDING DESK HARDWARE</b>	
5  Ext. kit full/full	1 Pc	11  Footboard	1 Pc	E  Cup nut	8 Pcs	C  1 1/4" Screws	2 Pcs
6  Headboard	1 Pc			F  17 mm bolts	8 Pcs	J  3/4" Screw	1 Pcs
<b>TWO PEOPLE ARE NEEDED TO ASSEMBLE DO NOT TIGHTEN COMPLETELY UNTIL ALL PIECES ARE CONNECTED TOGETHER</b>							

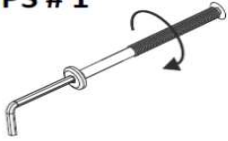


# ASSEMBLY INSTRUCTIONS

TIPS : SEE ILLUSTRATION BELOW

- 1- Use the long end of the allen wrench to fasten bolts loosely and quickly.
- 2- Use the short end of the allen wrench for final tightening

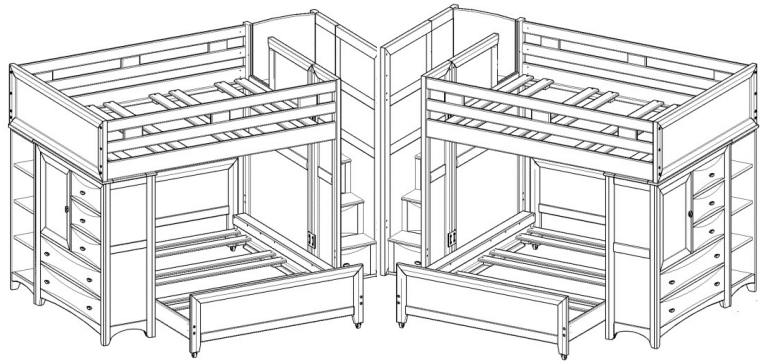
TIPS # 1



TIPS # 2



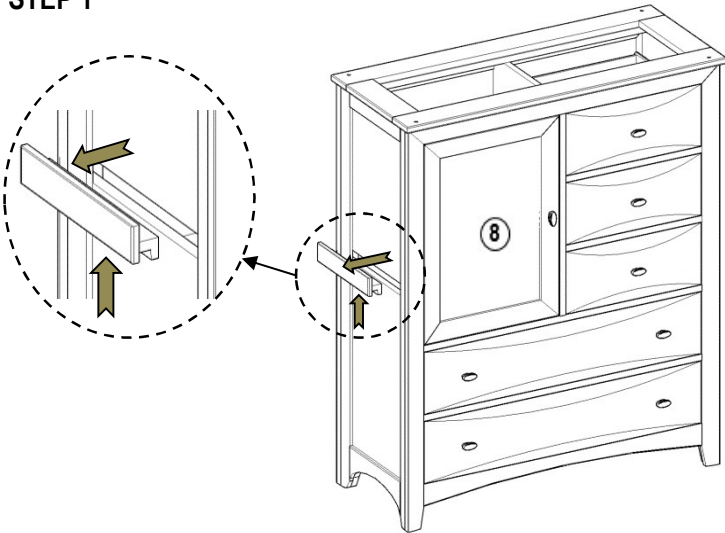
FIRST DETERMINE THE CONFIGURATION THAT FITS YOUR ROOM



STAIRS ON THE RIGHT  
(Factory setting)  
Step 1-15

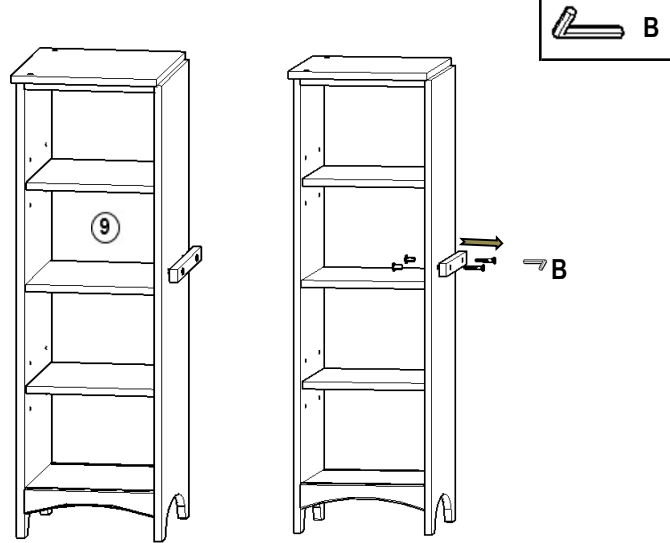
STAIRS ON THE LEFT  
Step 16-31

STEP 1



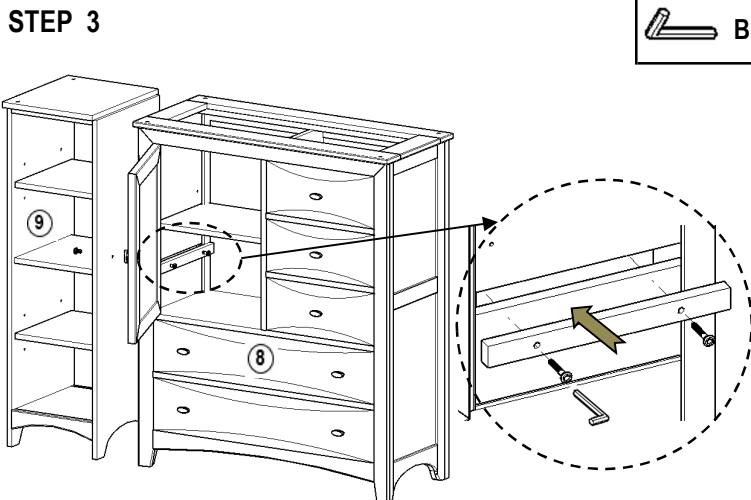
Remove center molding by lifting up then pulling out.

STEP 2



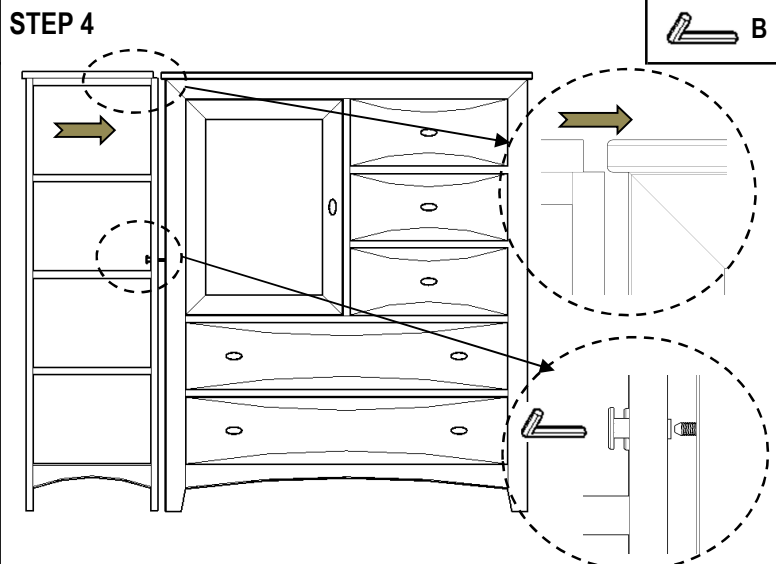
Remove fastening board and save for next step.

STEP 3



Assemble loft bookshelf and loft chest, using the fastening board and bolts previously removed as shown.

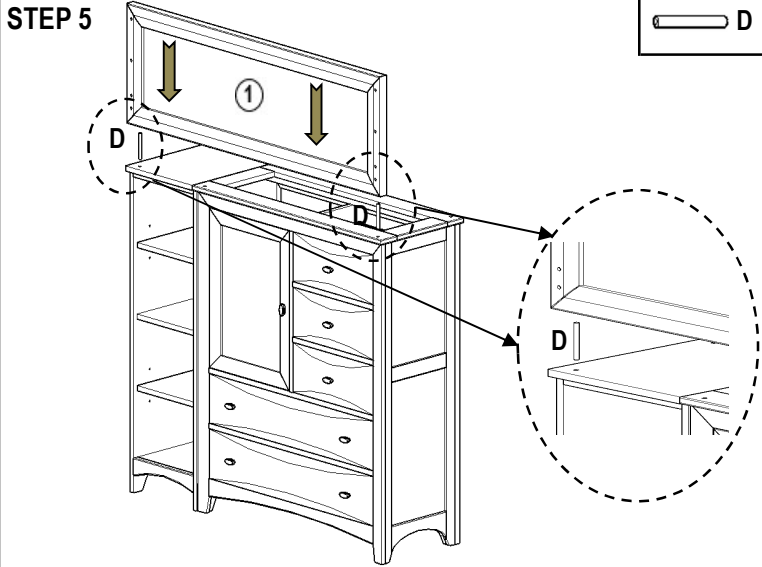
STEP 4



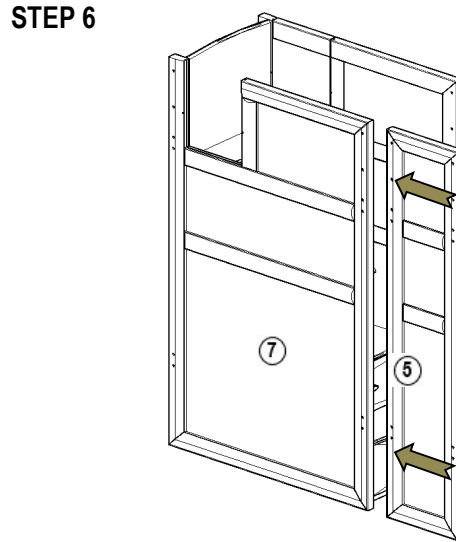
Align both pieces and tight completely.



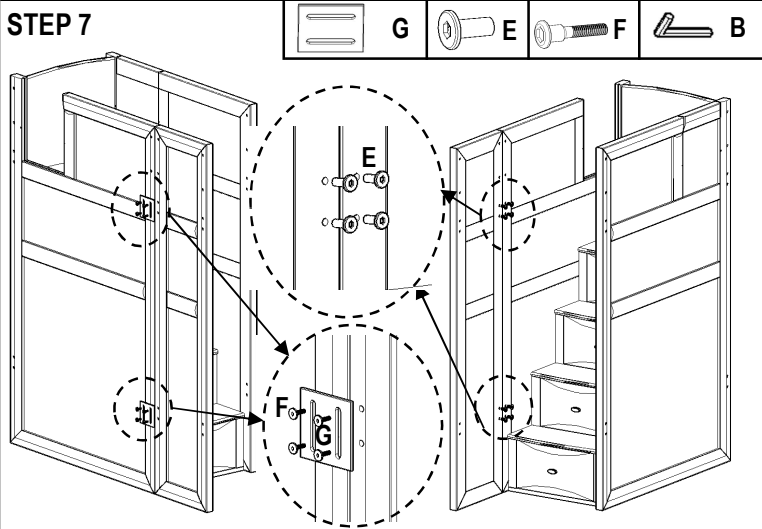
# ASSEMBLY INSTRUCTIONS



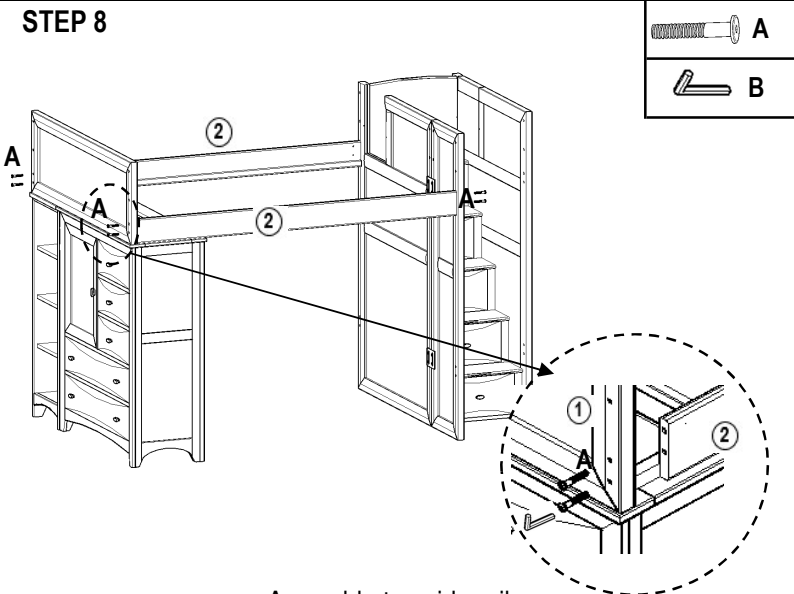
Assemble loft chest/loft bookshelf and top bunk bed end.



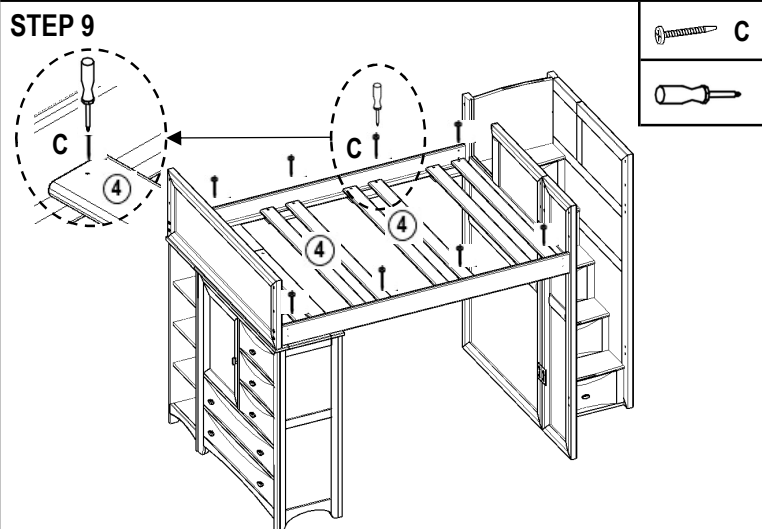
Assemble step bunk unit and extension kit, aligning inside and outside pattern and holes.



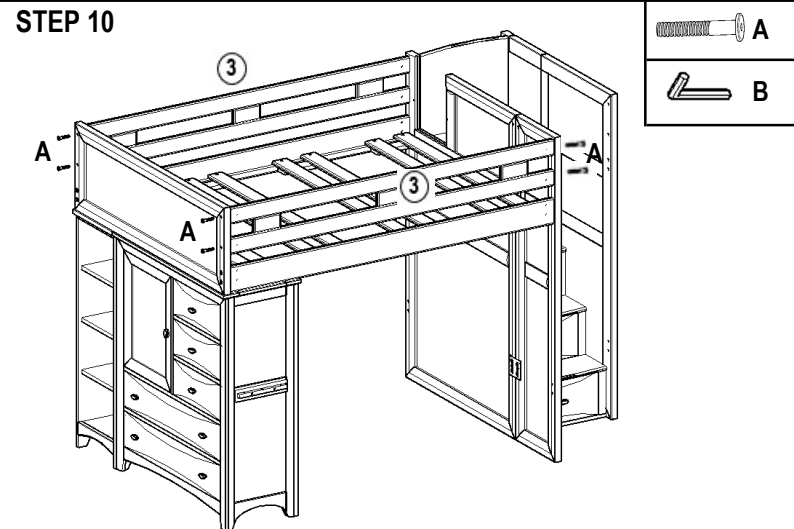
Fasten and **make sure all bolts are tightened completely.**



Assemble top side rails.



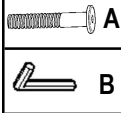
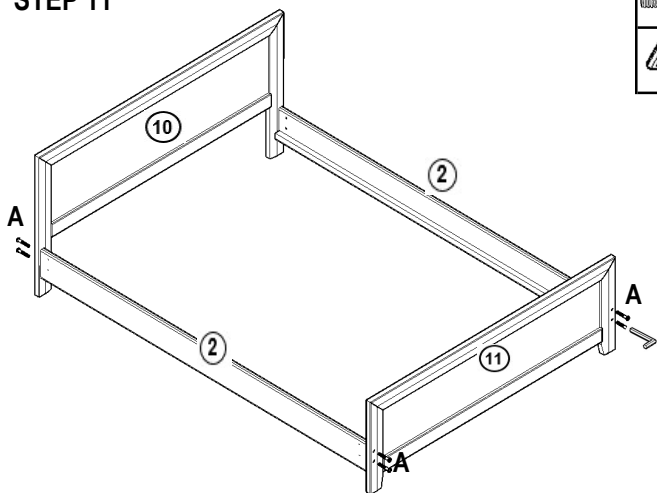
Install slats, one on each end, two equally spaced in the middle, then fasten with 1 1/4" screws.



Assemble guardrails and tighten all bolts.  
**MAKE SURE ALL BOLTS ARE TIGHTENED COMPLETELY**

# ASSEMBLY INSTRUCTIONS

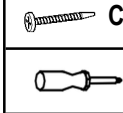
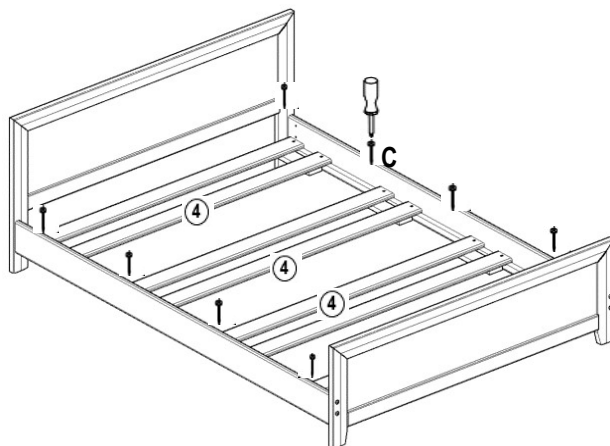
**STEP 11**



Assemble side rails

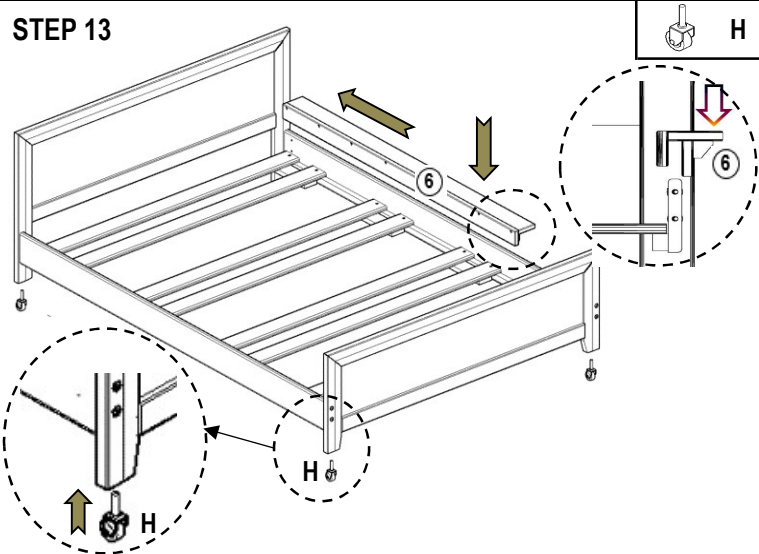
**MAKE SURE ALL BOLTS ARE TIGHTENED COMPLETELY**

**STEP 12**



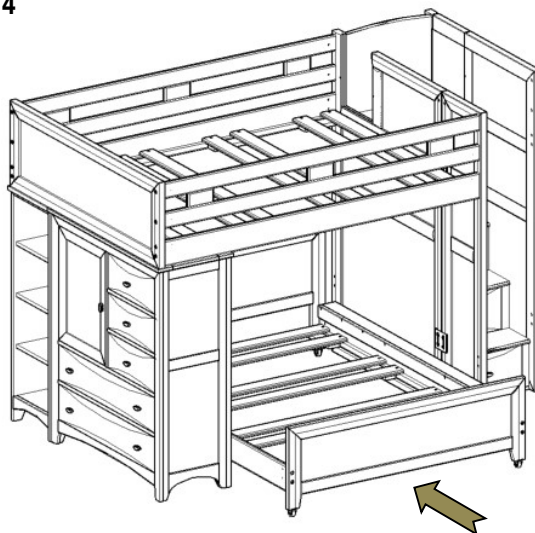
Install slats, one on each end and two equally spaced in the middle, then fasten with 1 1/4" screws

**STEP 13**



Install casters in headboard and footboard, and set rail cup.

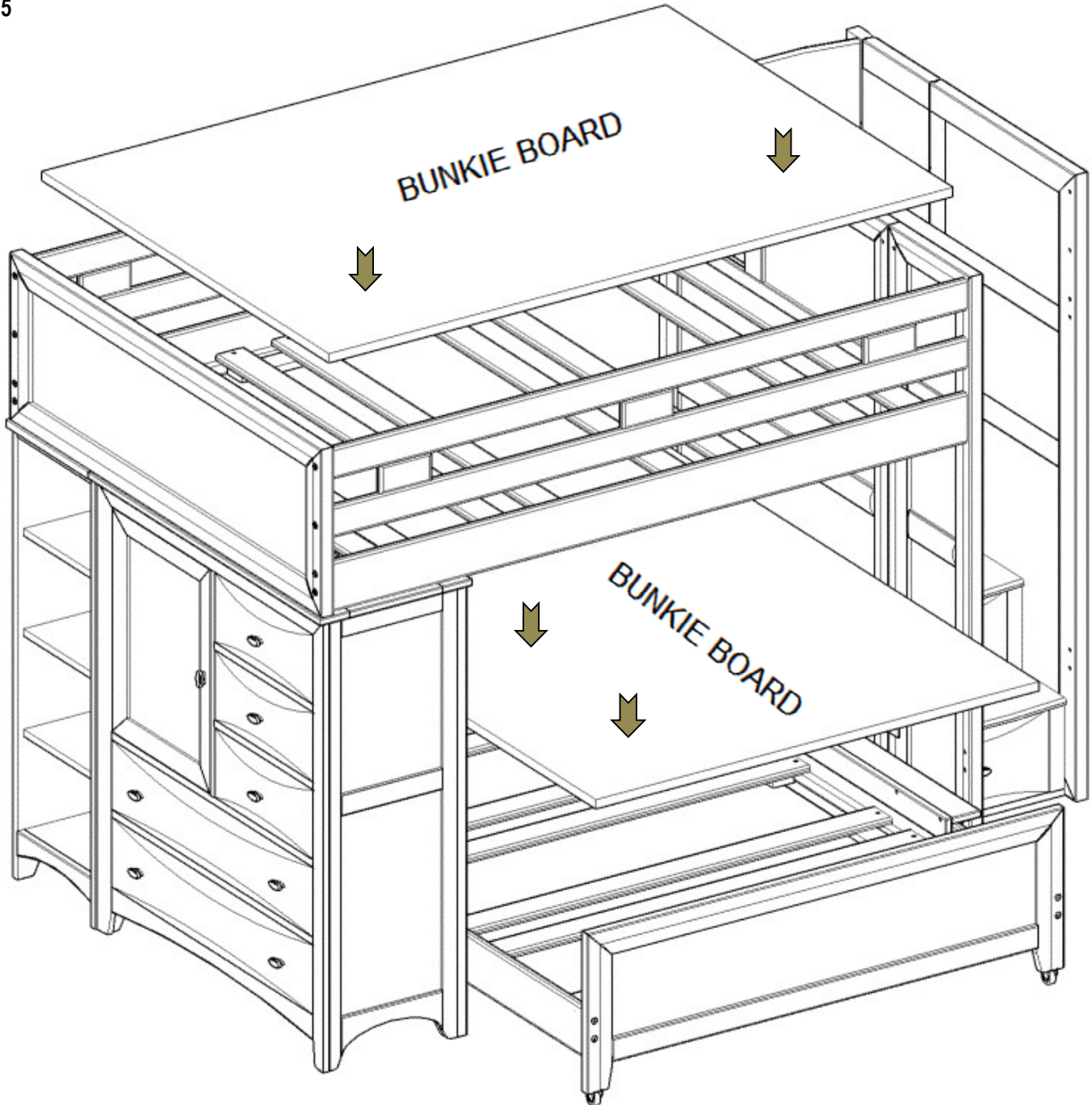
**STEP 14**



Slide Caster bed under loft bed as shown.

# ASSEMBLY INSTRUCTIONS

## STEP 15



**Place Bunkie boards (required, sold separately) on top of the slats**

**Use only correct mattress dimensions and Bunkie board:**

Twin size mattress- 74" - 75" long and 37-1/2" - 38-1/2" wide

Twin size Bunkie board- 74" long and 37-1/2" wide

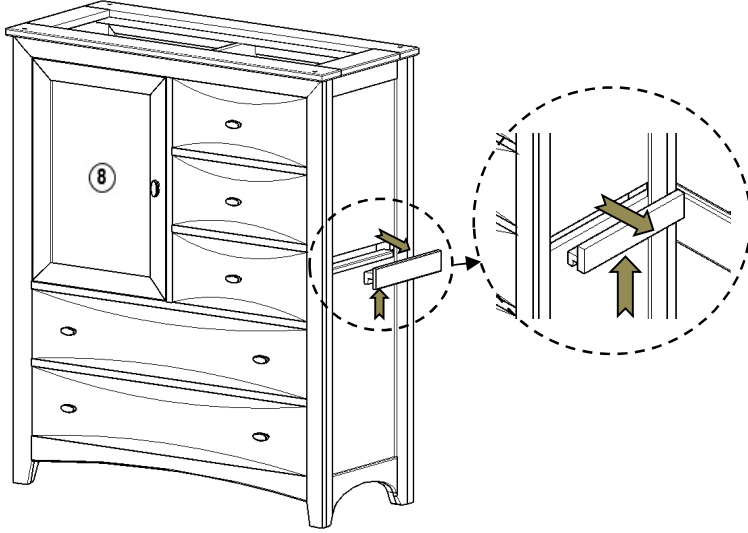
Full size mattress- 74" - 75" long and 52-1/2" - 53-1/2" wide

Full size Bunkie board- 74" long and 52-1/2" wide

PLEASE CONTACT YOUR RETAIL STORE WITH SERVICE OR PARTS REPLACEMENT REQUEST

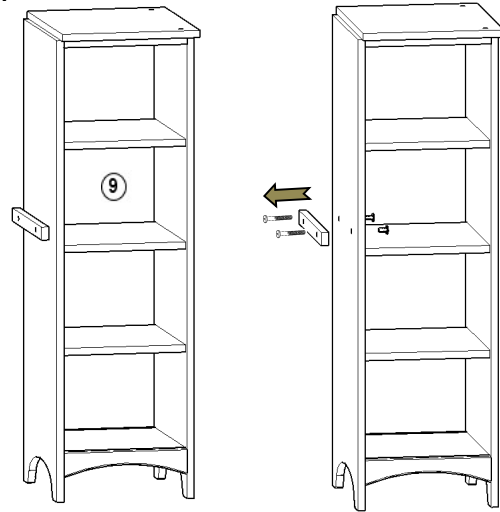
# ASSEMBLY INSTRUCTIONS

## STEP 16

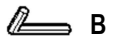


Remove center molding by lifting up then pulling out.

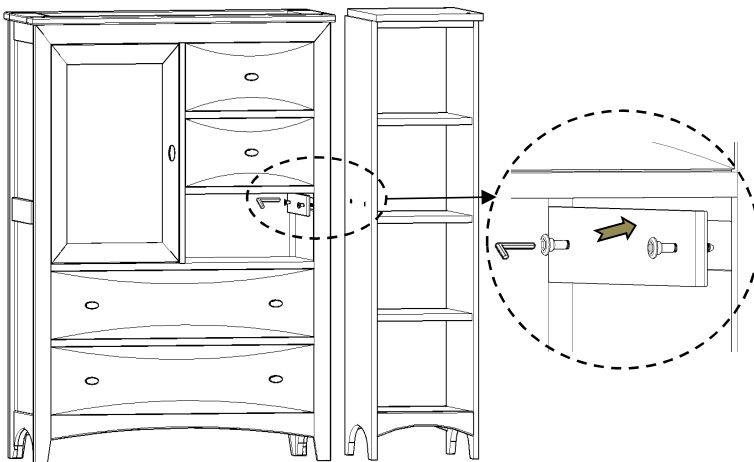
## STEP 17



Remove fastening board and save for next step.

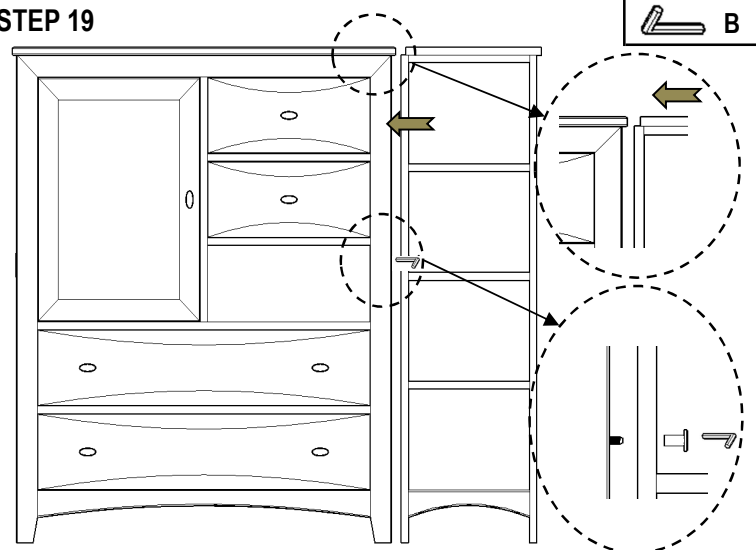


## STEP 18

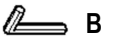


To assemble loft bookshelf and loft chest, first remove 3rd drawer and then use the fastening board and bolts previously removed as shown.

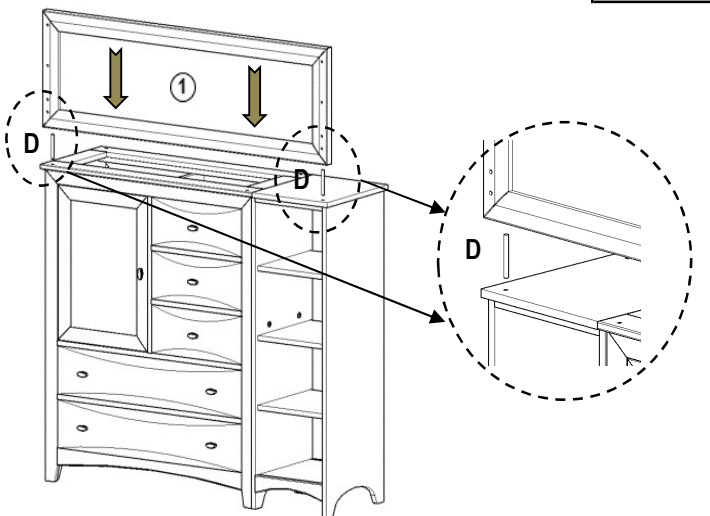
## STEP 19



Align both pieces and tight completely.

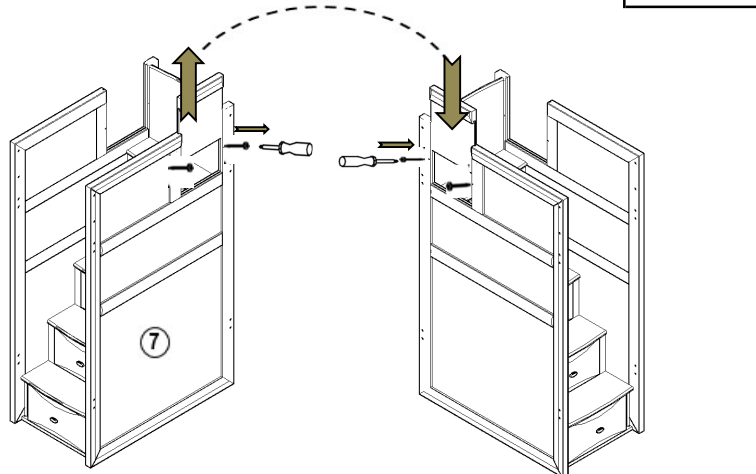


## STEP 20

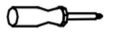


Assemble loft chest/loft bookshelf and top bunk bed end.

## STEP 21



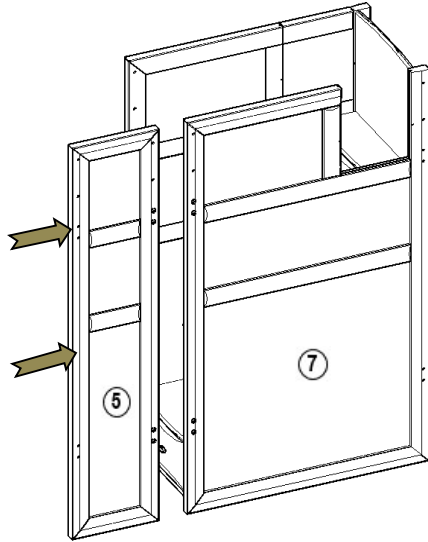
For stairs on the left, first remove the screws (save), then remove the panel and install it on the other side and secure with the screws.





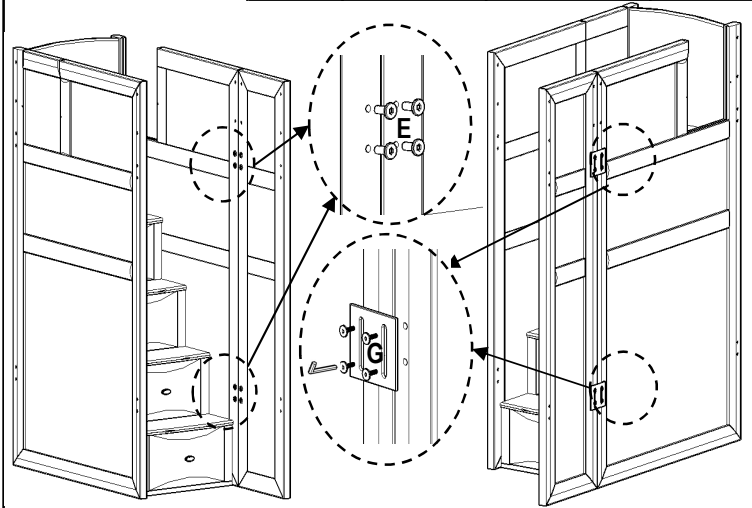
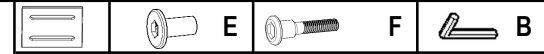
# ASSEMBLY INSTRUCTIONS

## STEP 22



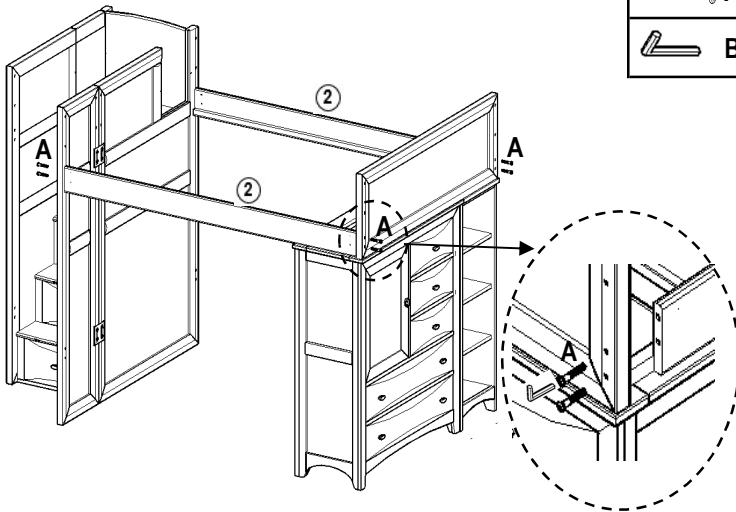
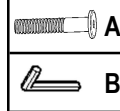
Assemble step bunk unit and extension kit, aligning inside and outside patterns and holes.

## STEP 23



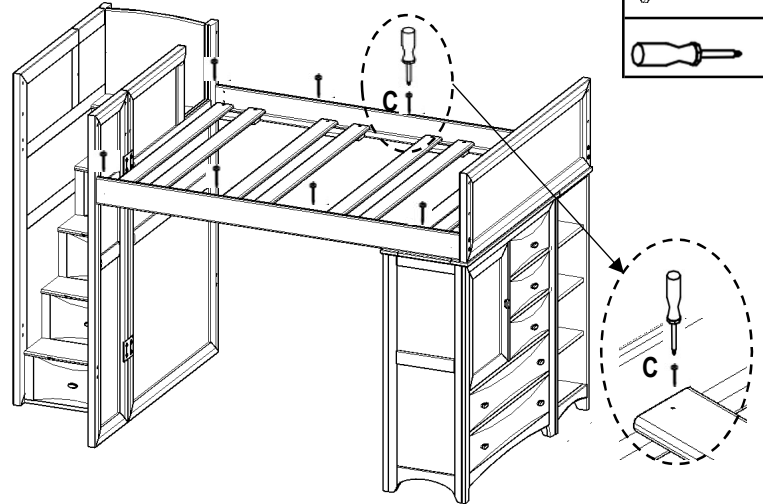
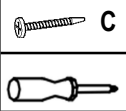
Fasten and make sure all bolts are tightened completely.

## STEP 24



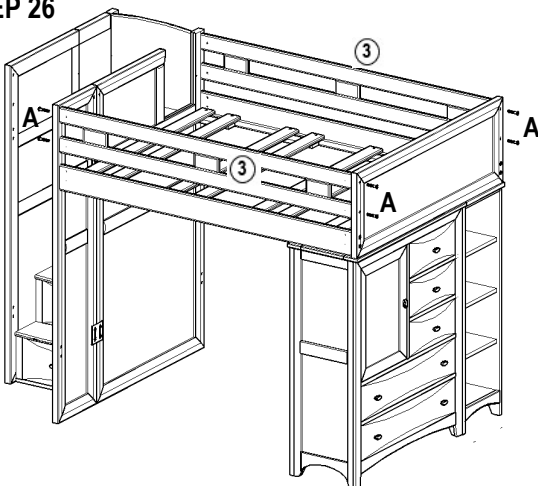
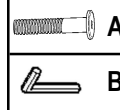
Assemble top side rails.

## STEP 25



Install slats, one on each end, two equally spaced in the middle, then fasten with 1 1/4" screws.

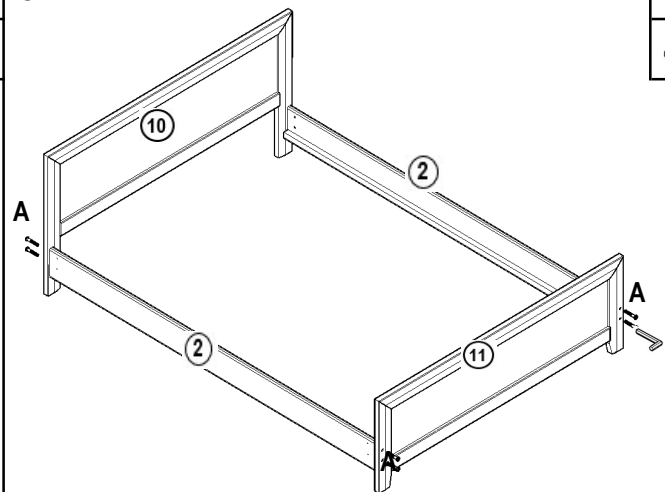
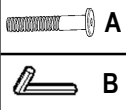
## STEP 26



Assemble guardrails and tighten all bolts.

**MAKE SURE ALL BOLTS ARE TIGHTENED COMPLETELY**

## STEP 27

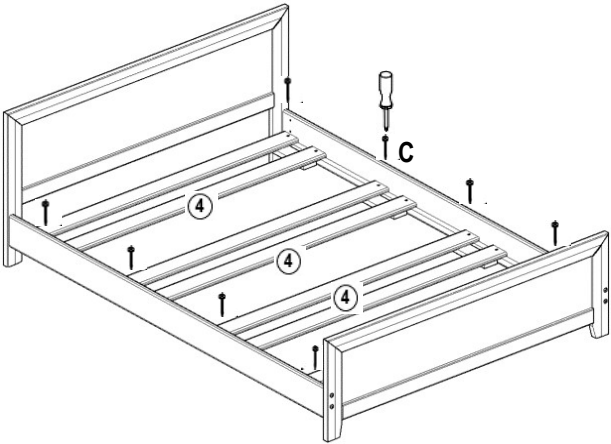
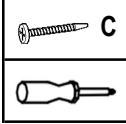


Assemble side rails

**MAKE SURE ALL BOLTS ARE TIGHTENED COMPLETELY**

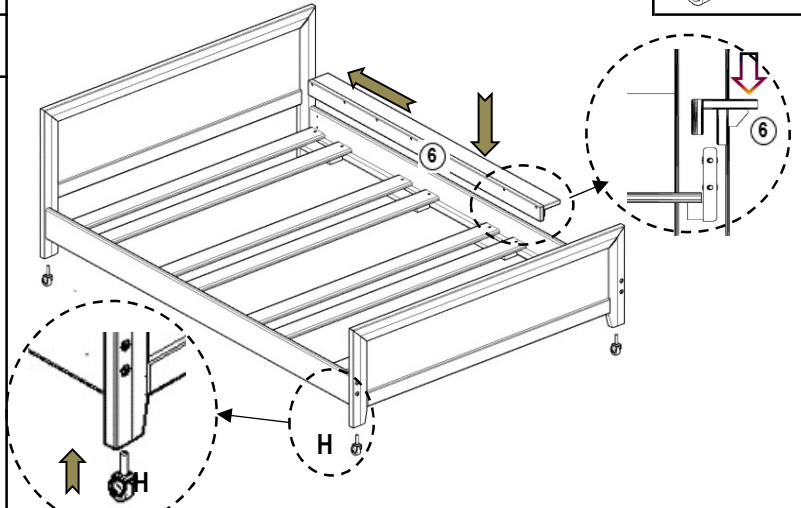
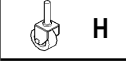
# ASSEMBLY INSTRUCTIONS

## STEP 28



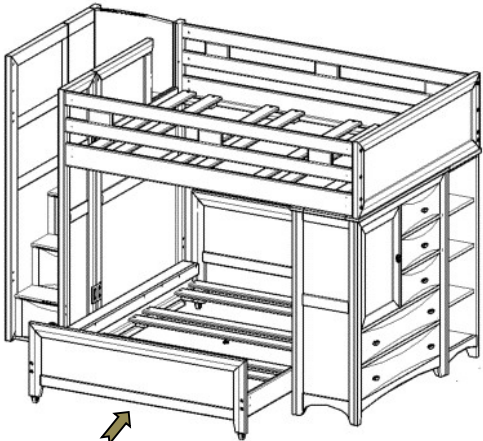
Install slats, one of each end and two equally spaced in the middle, then fasten with 1 1/4" screws

## STEP 29



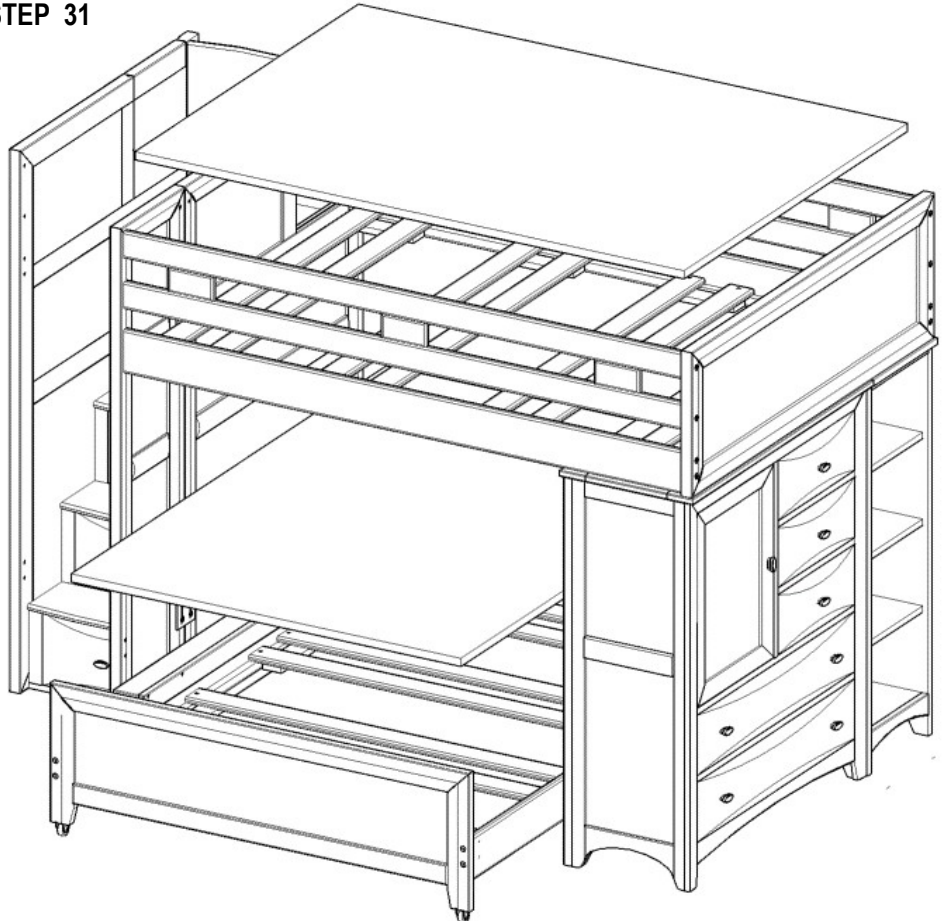
Install casters in headboard and footboard, and set rail cup.

## STEP 30



Slide Caster bed under loft bed as shown.

## STEP 31



**Place Bunkie boards (required, sold separately) on top of the slats**

**Use only correct mattress dimensions and Bunkie board:**

Twin size mattress- 74" - 75" long and 37-1/2" - 38-1/2" wide

Twin size Bunkie board- 74" long and 37-1/2" wide

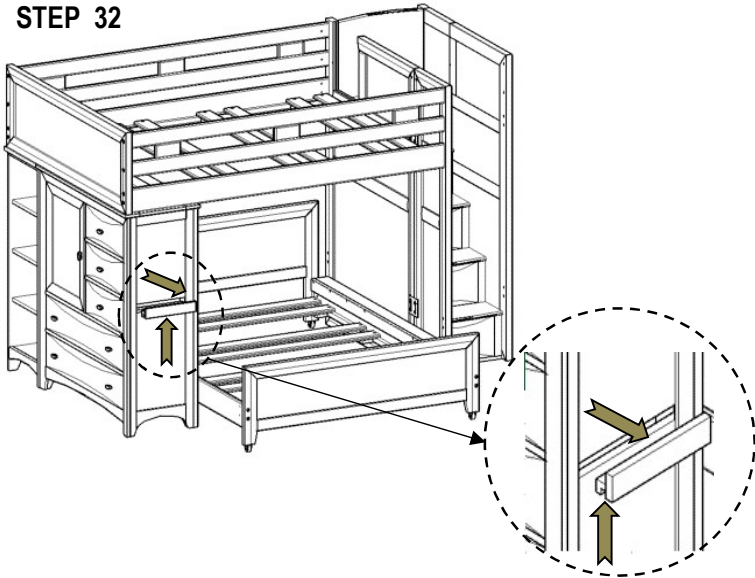
Full size mattress- 74" - 75" long and 52-1/2" - 53-1/2" wide

Full size Bunkie board- 74" long and 52-1/2" wide

PLEASE CONTACT YOUR RETAIL STORE WITH SERVICE OR PARTS REPLACEMENT REQUEST

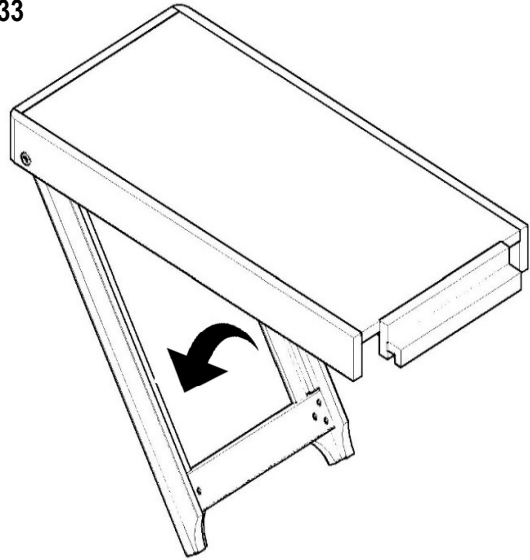
# ASSEMBLY INSTRUCTIONS

STEP 32



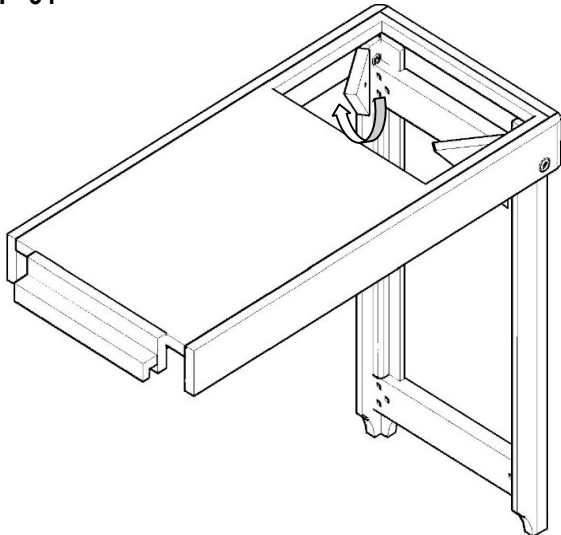
Remove center molding by lifting up then pulling out

STEP 33



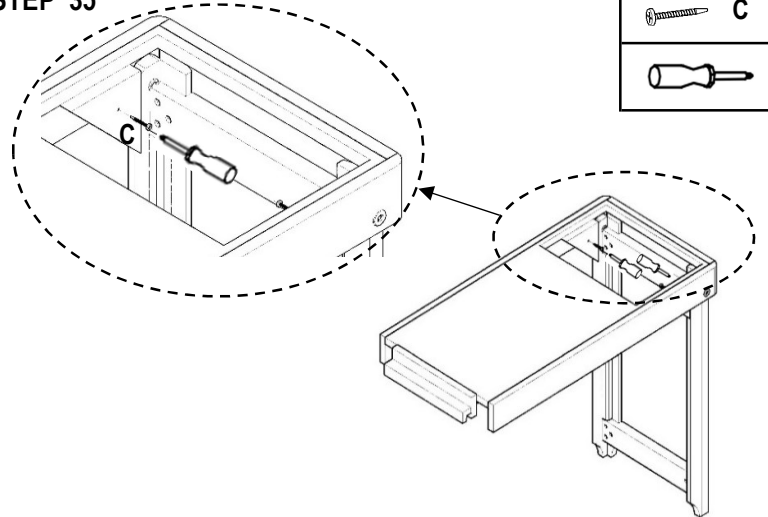
Unfold desk leg and look for hardware pack inside desk box.

STEP 34



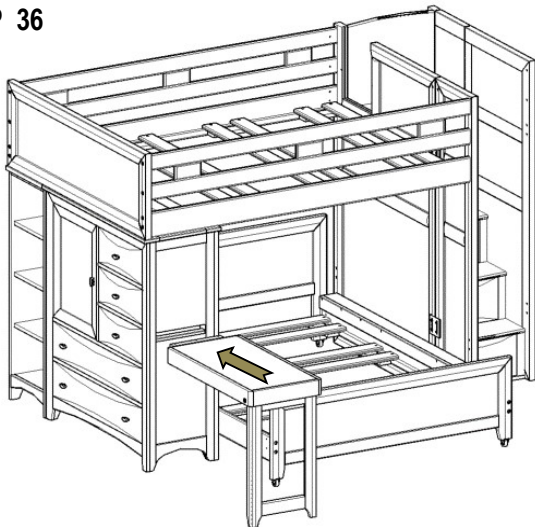
Unfold corner supports

STEP 35



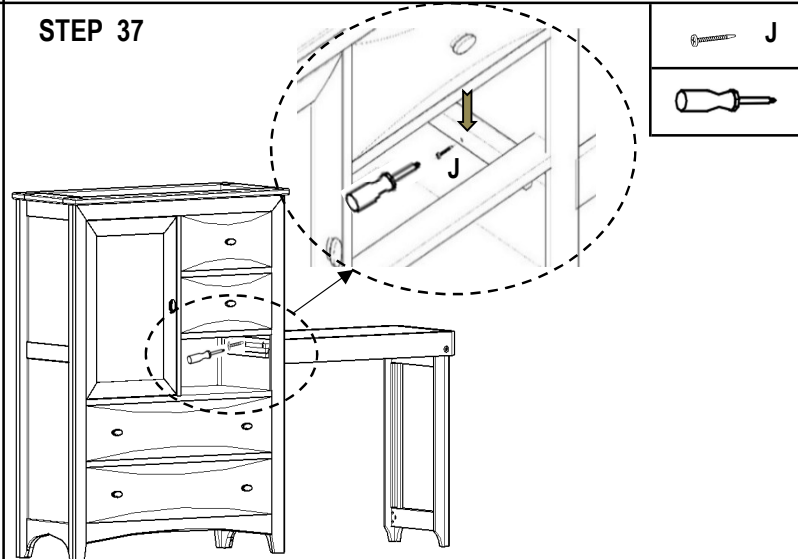
Secure each corner block with 1 1/4" screw (from desk box hardware pack) in the pre-bore hole.

STEP 36



Place folding desk by sliding into the opening of loft chest then push down

STEP 37

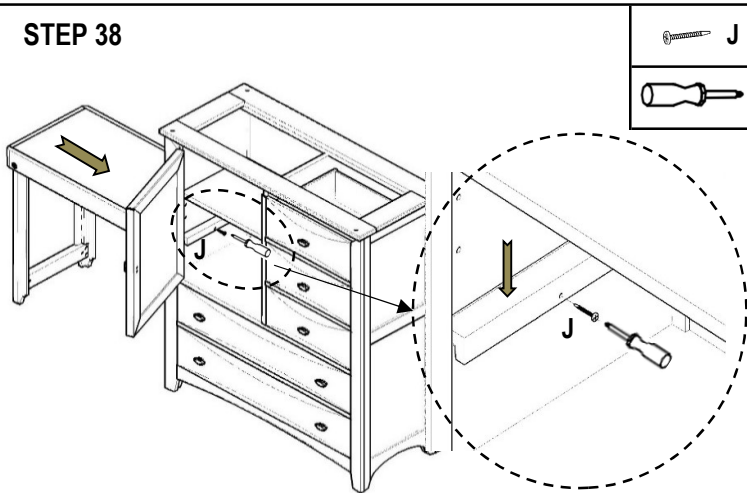


For desk on the right remove third drawer, and secure desk with one 3/4" screw (from desk box hardware pack).



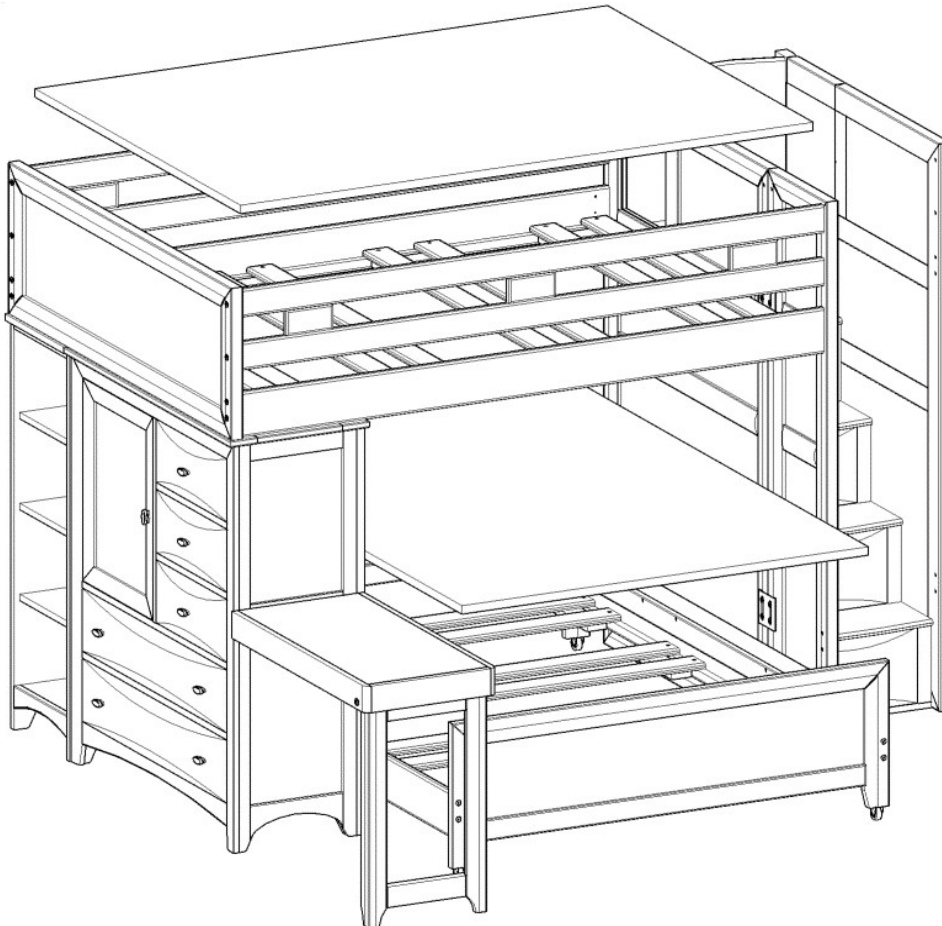
# ASSEMBLY INSTRUCTIONS

## STEP 38



For desk on the left, open the door and secure it with one 3/4" screw (from desk box hardware pack).

## STEP 39



**Place Bunkie boards (required, sold separately) on top of the slats**

**Use only correct mattress dimensions and Bunkie board:**

Twin size mattress- 74" - 75" long and 37-1/2" - 38-1/2" wide

Twin size Bunkie board- 74" long and 37-1/2" wide

Full size mattress- 74" - 75" long and 52-1/2" - 53-1/2" wide

Full size Bunkie board- 74" long and 52-1/2" wide

PLEASE CONTACT YOUR RETAIL STORE WITH SERVICE OR PARTS REPLACEMENT REQUEST