

ASSEMBLY INSTRUCTIONS

BEIL 3672705P TWIN/FUTON BUNKBED (WHITE)		
SKU #	ITEM #	ITEM DESCRIPTION
37527059	247W-1A	TWIN/ FUTON FRAMES & RAILS
37627051	247W-1B	TWIN / FUTON ENDS & LADDER

BEIL 3672704P TWIN/FUTON BUNKBED (GRAY)		
SKU #	ITEM #	ITEM DESCRIPTION
37127049	247G-1A	TWIN/ FUTON FRAMES & RAILS
37227041	247G-1B	TWIN / FUTON ENDS & LADDER

Thank you for purchasing this quality product. Be sure to check all packing material carefully for small parts, which may have come loose inside the carton during shipment. Identify and count all parts and compare with the Hardware List below.

PART LIST

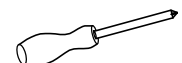
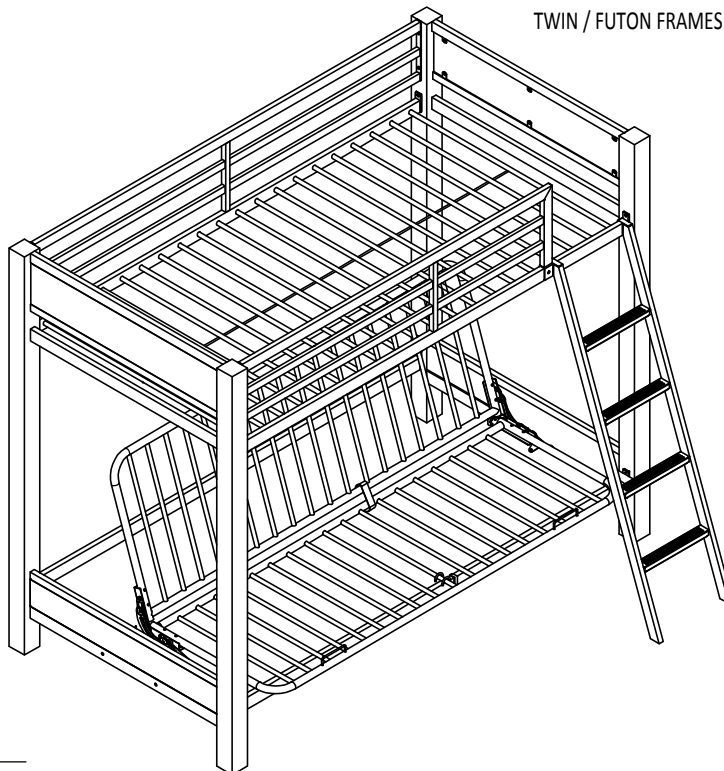
NO	DESCRIPTION	PICTURE	Q'TY	NO	DESCRIPTION	PICTURE	Q'TY	NO	DESCRIPTION	PICTURE	Q'TY
1	LEFT BUNKBED END		1 PC	5	TOP BED FRAME		1 PC	9	CONNECT BAR		2 PCS
2	RIGHT BUNKBED END		1 PC	6	BACK BOTTOM FRAME		1 PC	10	HOOK-1		1 PC
3	LONG GUARDRAIL		1 PC	7	FRONT BOTTOM FRAME		1 PC	11	FOLDING PART RIGHT		1 PC
4	SHORT GUARDRAIL		1 PC	8	LADDER		1 PC	12	FOLDING PART LEFT		1 PC
								13	HOOK-2		1 PC

HARDWARE LIST

NO	PICTURE	DIMENSION	Q'TY	NO	PICTURE	DIMENSION	Q'TY	NO	PICTURE	DIMENSION	Q'TY
A		M1/4"x20x1"	15 PCS	F		M1/4"xL20mm	1 PC	N		NUT M4	1 PC
B		M1/4"x20x2-5/8"	2 PCS	G		5/16-Ø18 mm	8 PCS				
C		M1/4"x20x1-3/4"	2 PCS	J		13 mm	1 PC				
D		M5/16"x18x1-8/9"	8 PCS	K		4-L60 MM	2 PCS				
E		M5/16"	8 PCS	M		M4-L9 MM	1 PC				

Hardware Pack Location (s)

TWIN / FUTON FRAMES & RAILS 247W-1A / 247G-1A SKU# 37527059 / 37127049



This screwdriver is not provided

Pre - Assembly

Warning:

The bed slats included with this bed will support a mattress alone, this bed does not require Bunkie boards (sold separately) but they are recommended.

Read all the instructions, identify all components, choose your configuration, and be sure you have all parts prior to assembly.

Two people are needed to assemble.

Tools Needed

Phillips heads screwdriver (not included)

4mm allen wrench (included)

MAKE SURE ALL BOLTS ARE TIGHTENED COMPLETELY

CARE INSTRUCTIONS:

Dust with a clean, soft cloth. Avoid the use of all abrasive cleaners.

Use only correct mattress dimensions and Bunkie board:

Twin size mattress - 74" - 75" long and 37-1/2" - 38-1/2" wide

Twin size Bunkie board -74" long and 37-1/2" wide

Full size mattress - 74" - 75" long and 52-1/2" - 53-1/2" wide



Full size Bunkie board -74" long and 52-1/2" wide

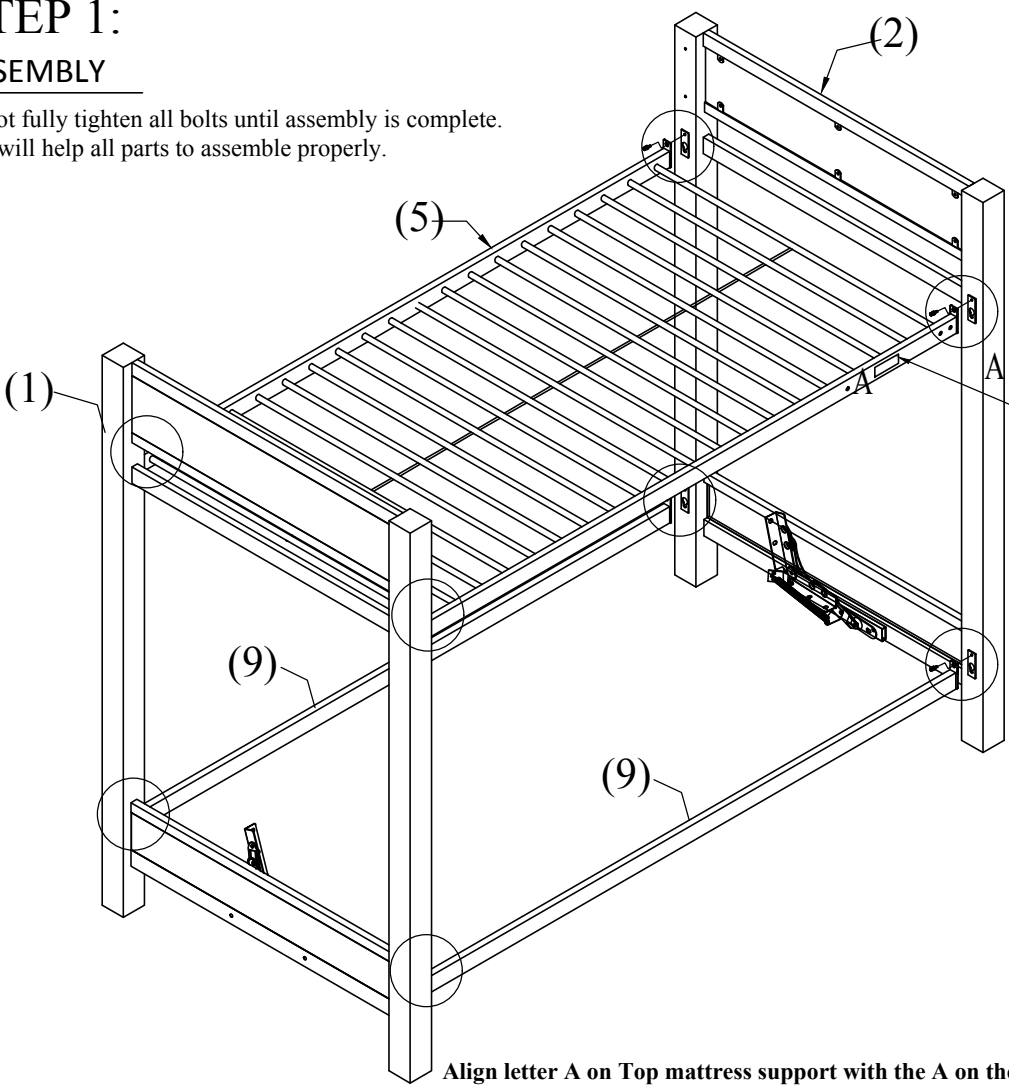
PLEASE CONTACT YOUR RETAIL STORE WITH SERVICE OR PARTS REPLACEMENT REQUEST

STEP 1:

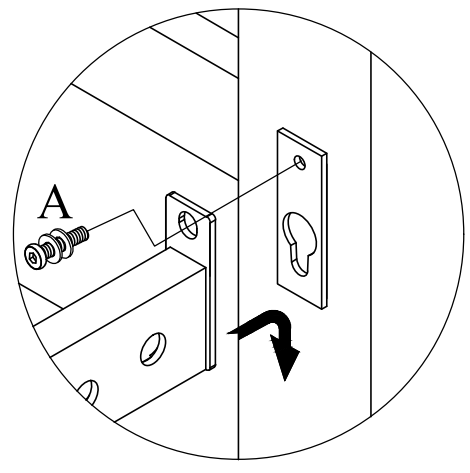
ASSEMBLY

Do not fully tighten all bolts until assembly is complete.
This will help all parts to assemble properly.

A		8 pcs
K		1 pc



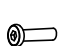



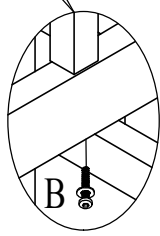
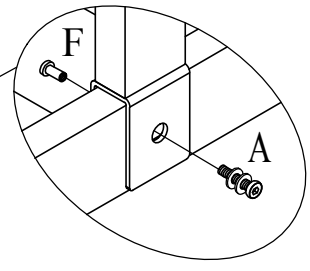
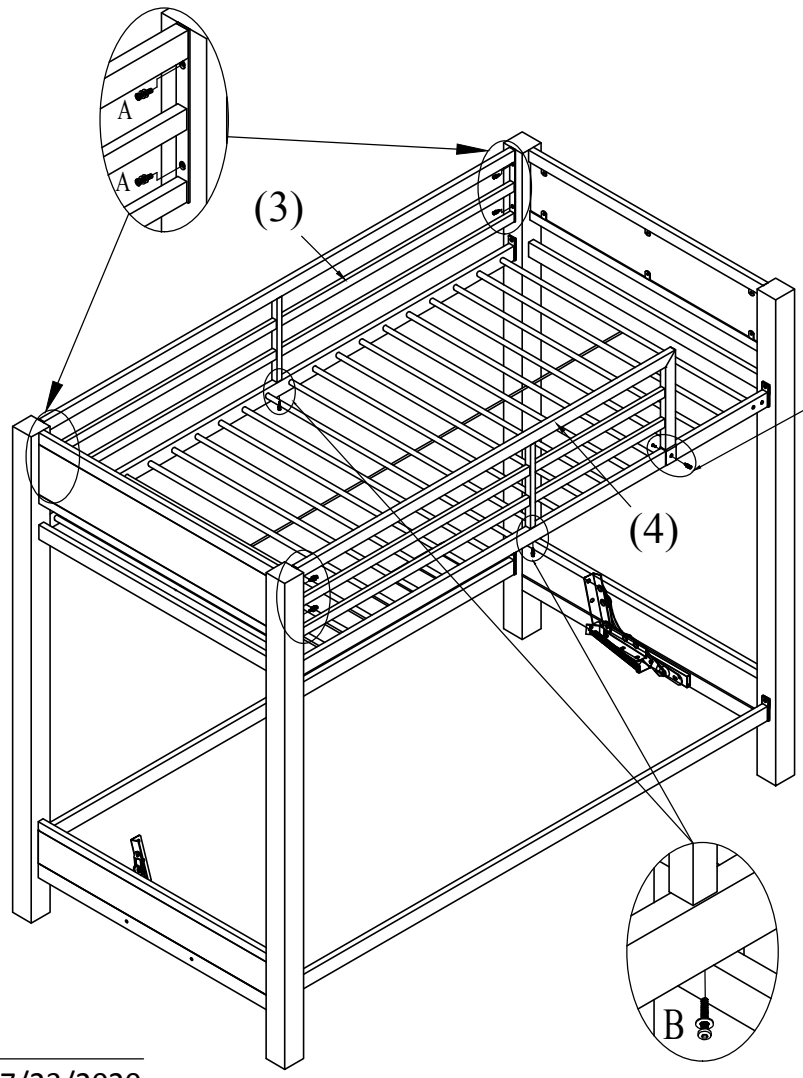
TOP FRONT SIDE
ATTACH LADDER HERE



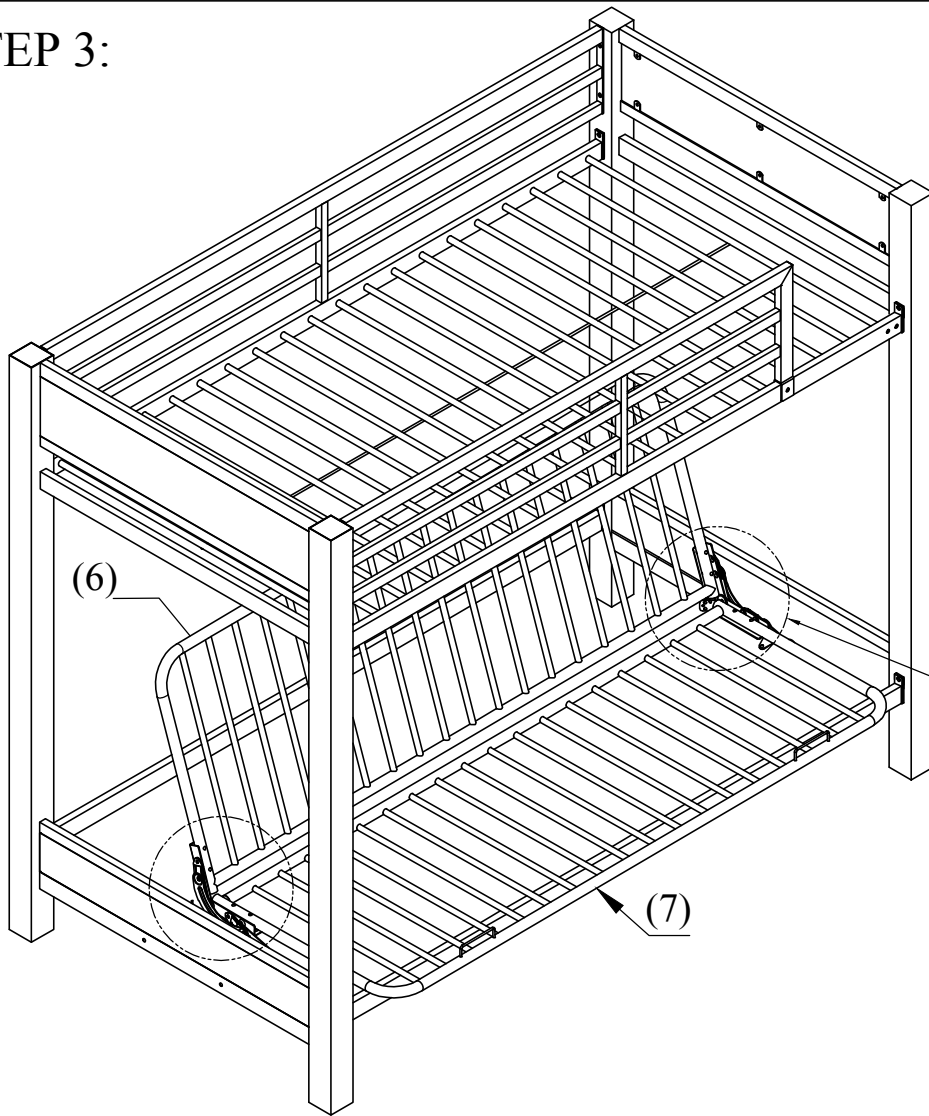
Align letter A on Top mattress support with the A on the Right side facing end panel

STEP 2:

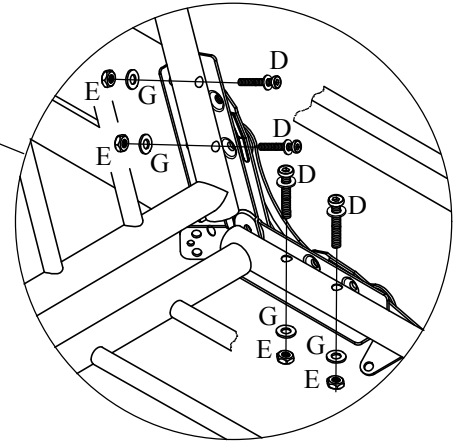
A		7 pcs
B		2 pcs
F		1 pc
K		2 pcs



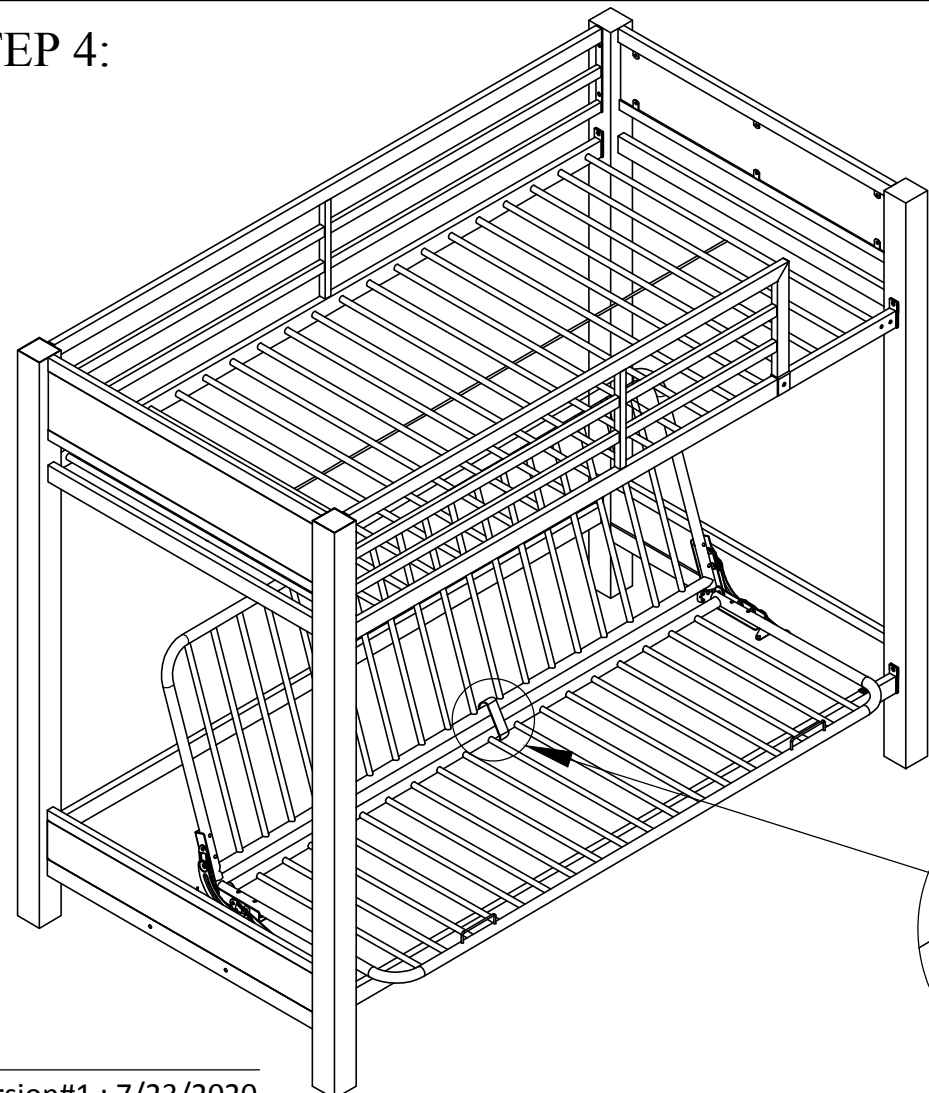
STEP 3:



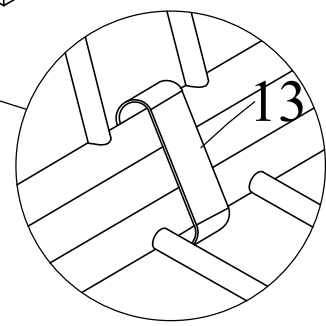
- | | | |
|---|--|------|
| D | | 8pcs |
| E | | 8pcs |
| G | | 8pcs |
| J | | 1pc |
| K | | |





STEP 4:

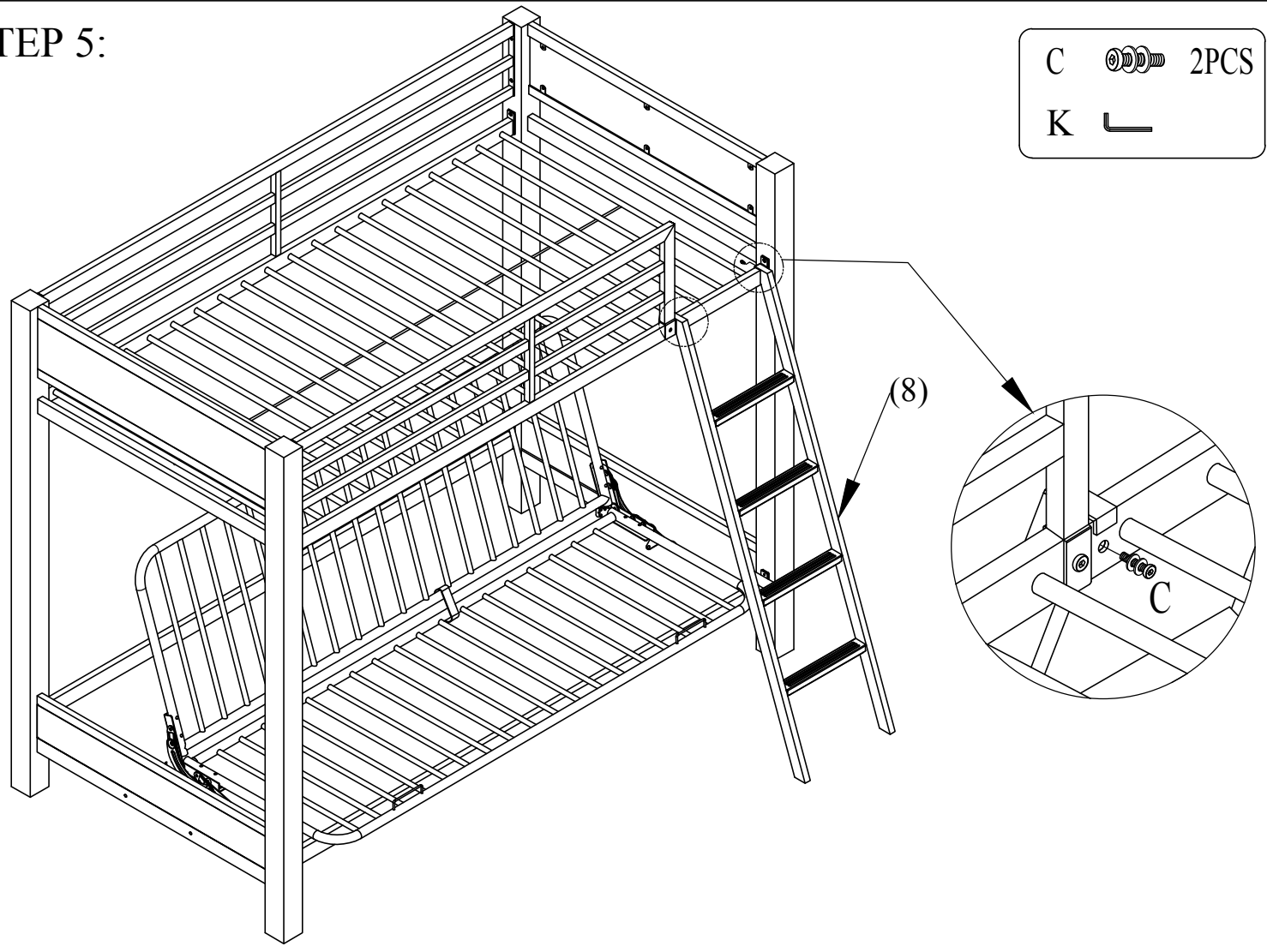


- | | | |
|----|--|-----|
| 13 | | 1pc |
|----|--|-----|

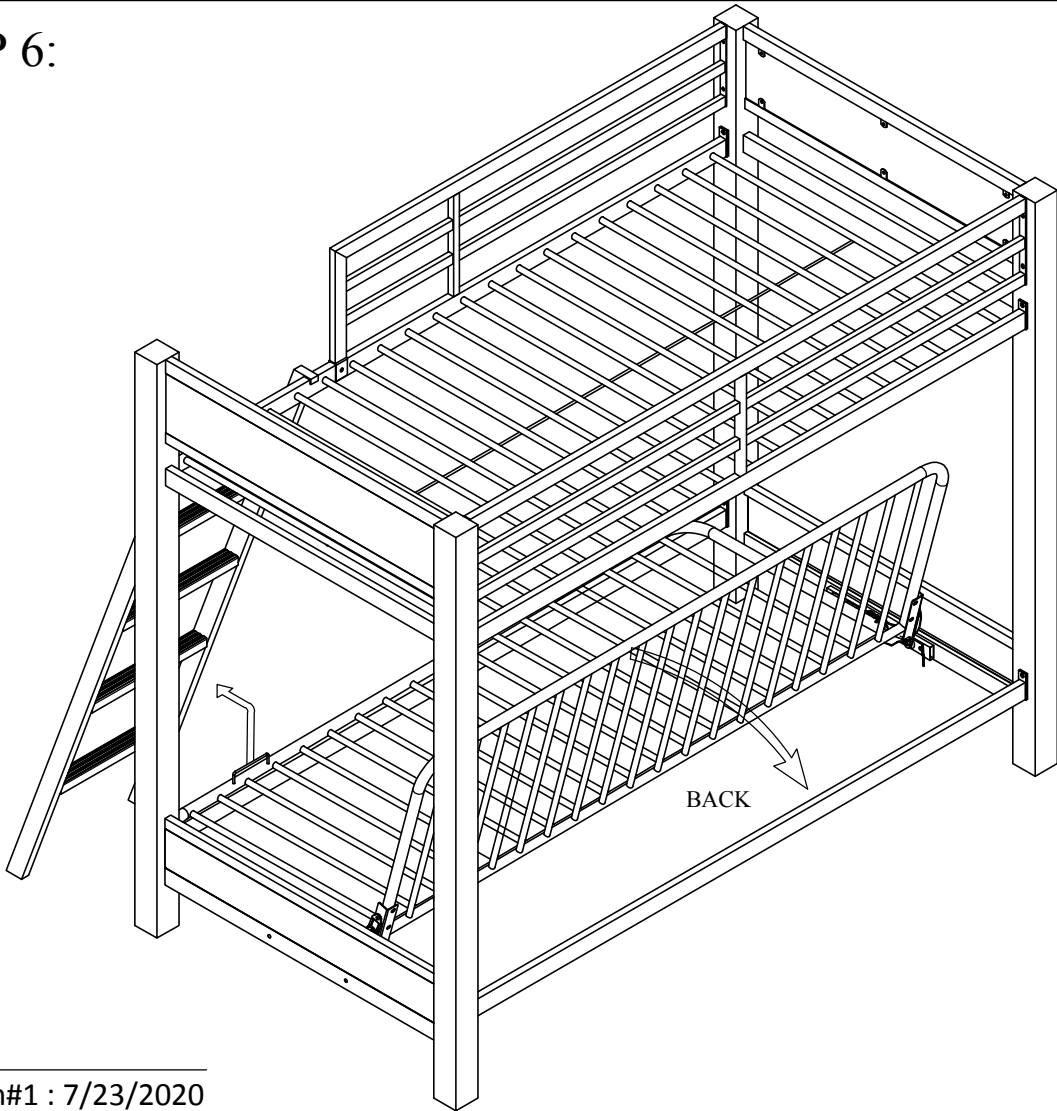


STEP 5:

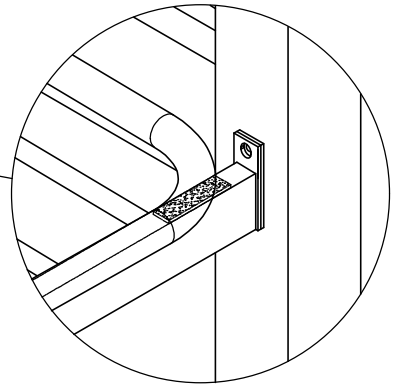
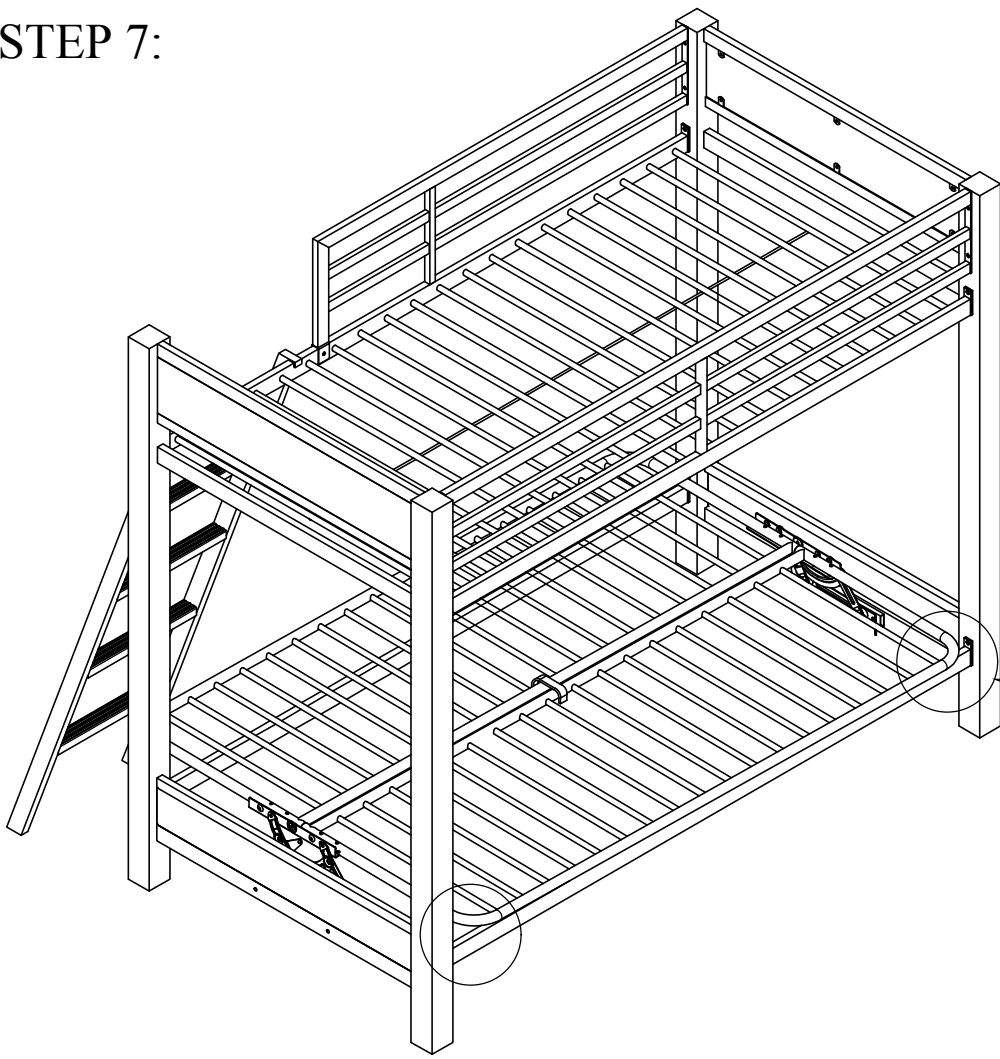
- C  2PCS
- K 



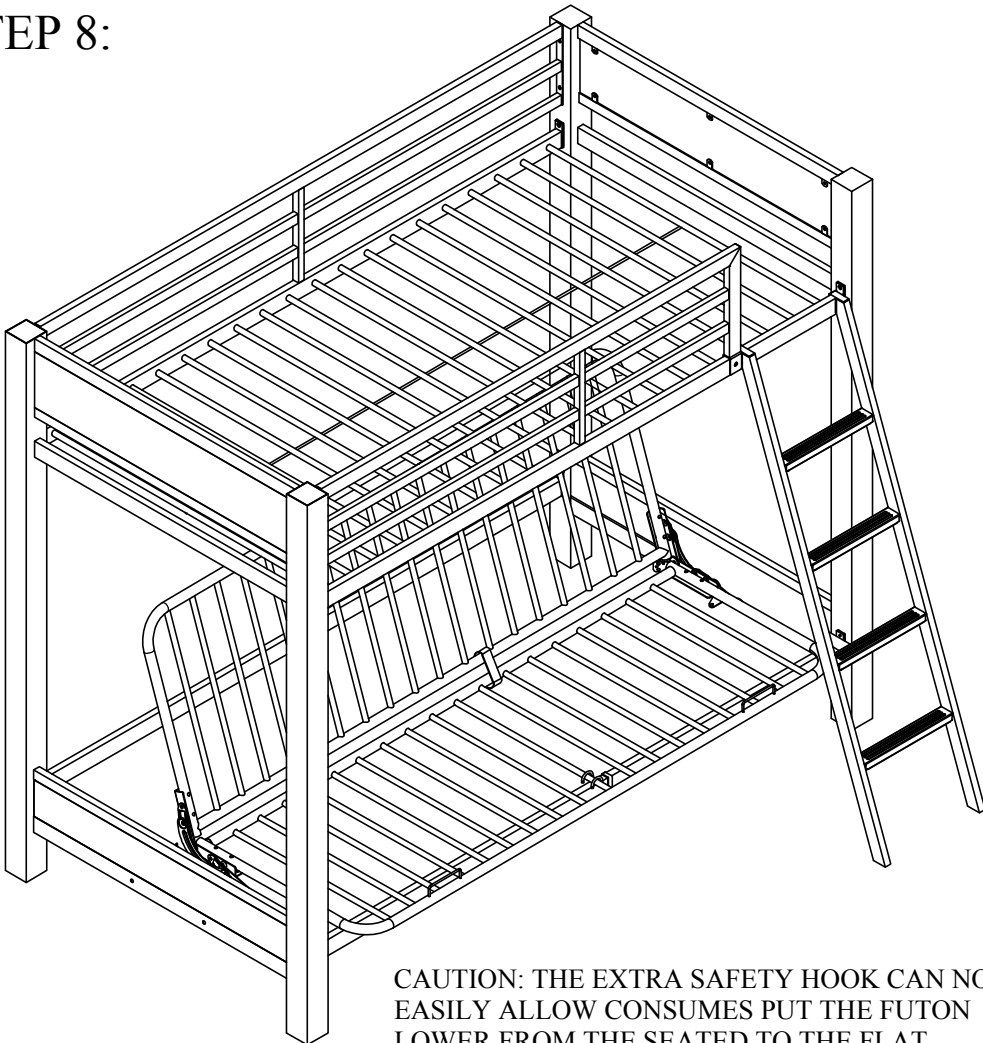
STEP 6:



STEP 7:

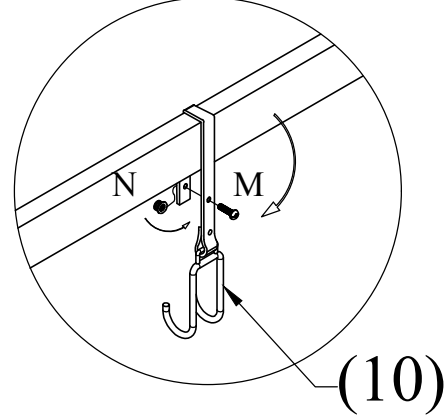


STEP 8:

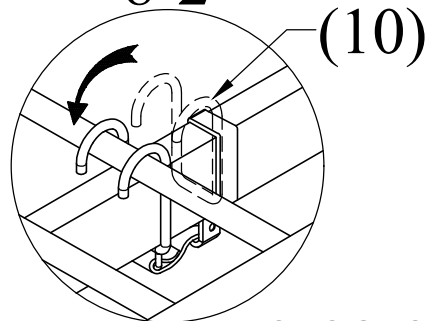


- | | | |
|---|--|------|
| M | | 1 pc |
| N | | 1 pc |

8-1



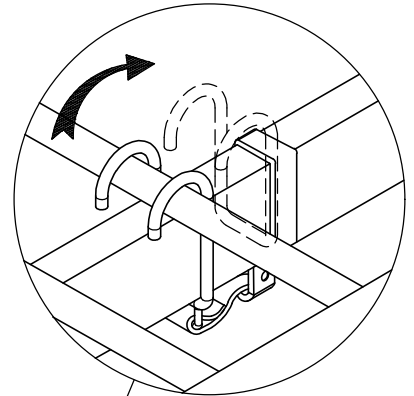
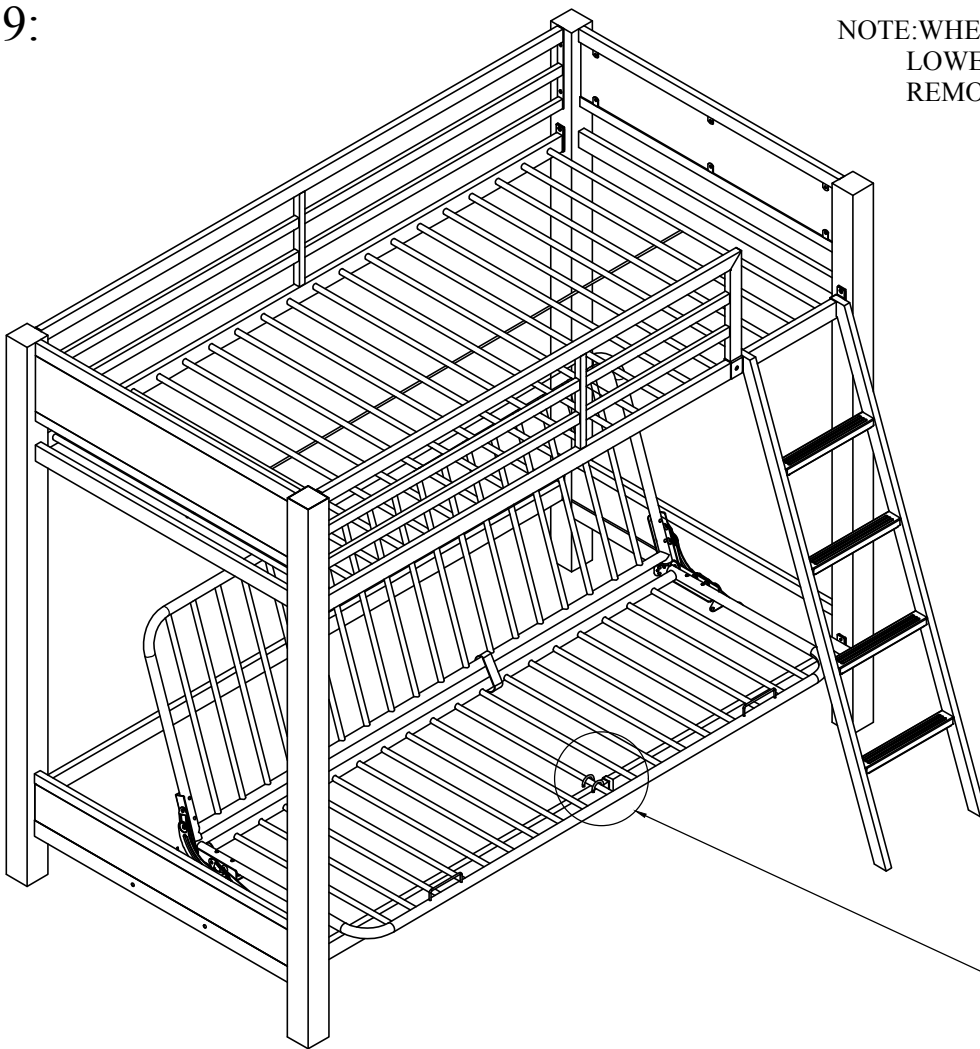
8-2



CAUTION: THE EXTRA SAFETY HOOK CAN NOT EASILY ALLOW CONSUMERS PUT THE FUTON LOWER FROM THE SEATED TO THE FLAT POSITION AND PREVENT FROM ENTRAPMENT HAZARD

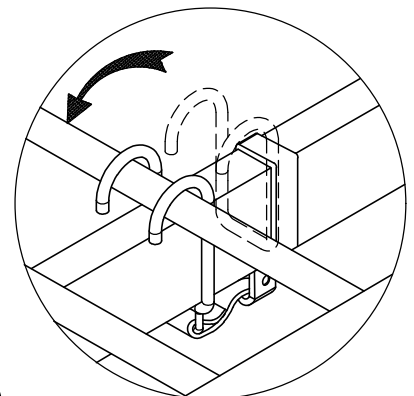
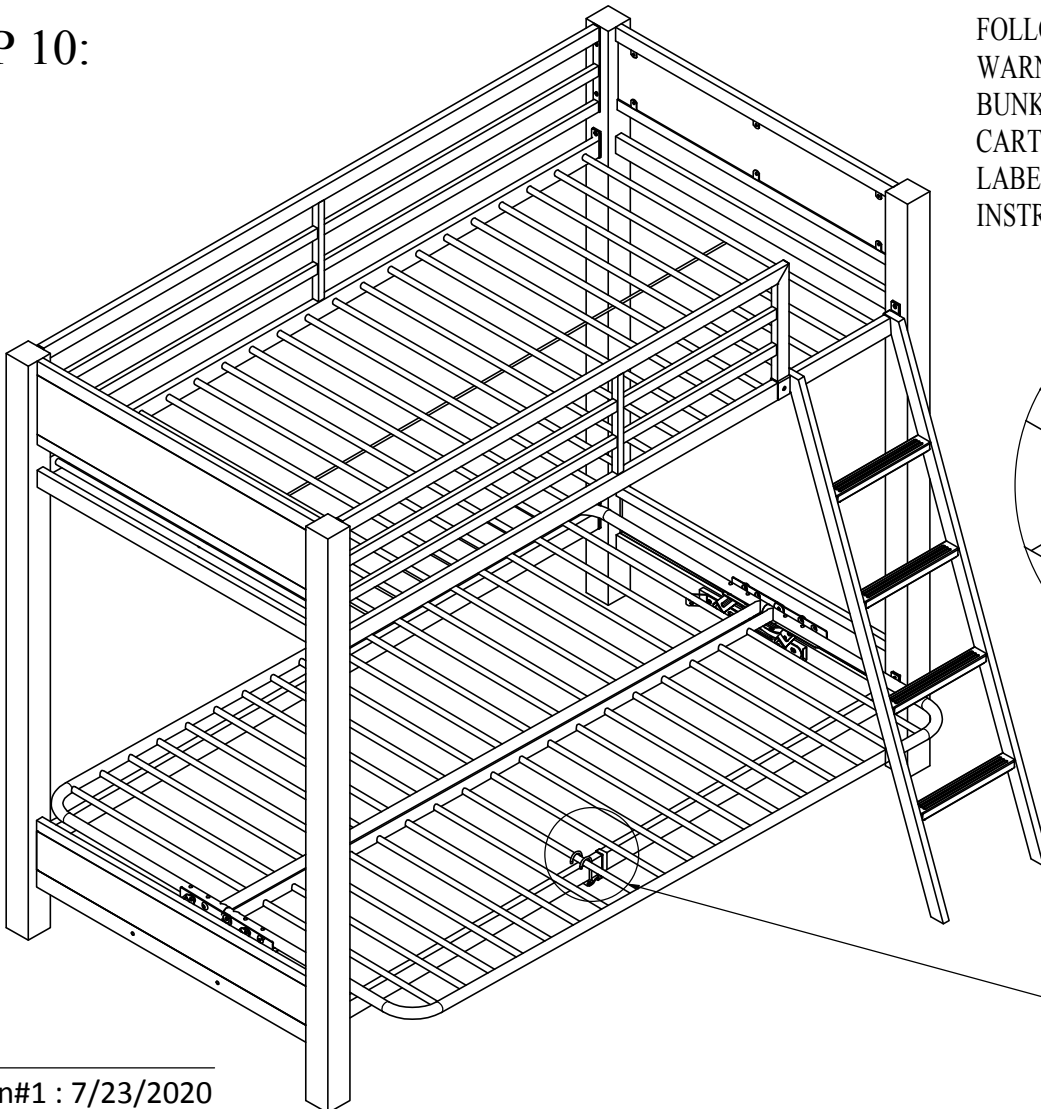
STEP 9:

NOTE: WHEN YOU NEED TO PUT THE FUTON LOWER TO AS A FLAT BED, PLEASE REMOVE THE HOOK FOLLOWING STEP



STEP 10:

FOLLOW THE INFORMATION ON THE WARNING APPEARING ON THE UPPER BUNK END STRUCTURE AND ON THE CARTON. DO NOT REMOVE WARNING LABEL FROM BED. KEEP THESE INSTRUCTION FOR FUTURE REFERENCE.



Safety Warnings

1. Follow the information on the warnings appearing on the upper bunk end structure and on the carton .Do not remove warning label from bed.
2. Always use the recommended size mattress or mattress support, or both, to help prevent the likelihood of entrapment or falls.
3. Ensure thickness of mattress and foundation combined does not exceed " 8" " and mattress surface is at least 5 inches (127 mm) below upper edge of guardrails for upper bunk.
4. Do not allow children under 6 years of age to use the upper bunk.
5. Periodically check and ensure that the guardrail, ladder, and other components are in their proper position, free from damage, and that all connectors are tight.
6. Do not allow horseplay on or under the bed and prohibit jumping on the bed.
7. Always use the ladder for entering and leaving the upper bunk.
8. DO NOT use substitute parts. Contact your local Rooms To Go or visit www.ROOMSTOGO.com for replacement parts and instructional literature if needed .
9. Use of a night light may provide added safety precaution for a child using the upper bunk.
10. Always use guardrails on both long sides of the upper bunk.
If the bunk bed will be placed next to the wall, the guardrail that runs the full length of the bed should be placed against the wall to prevent entrapment between the bed and the wall.
11. The use of water or sleep flotation mattress is prohibited.
12. Keep these instructions for future reference.
13. Prohibit more than one person on upper bunk.
14. Replacement Parts—PLEASE CONTACT YOUR RETAIL STORE WITH SERVICE OR PARTS REPLACEMENT REQUEST.

STRANGULATION HAZARD:

Never attach or hang items to any part of the bunk bed that are not designed for use with the bed, for example, but not limited to, hooks, belts, and jump ropes.