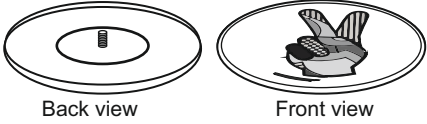
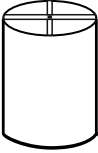
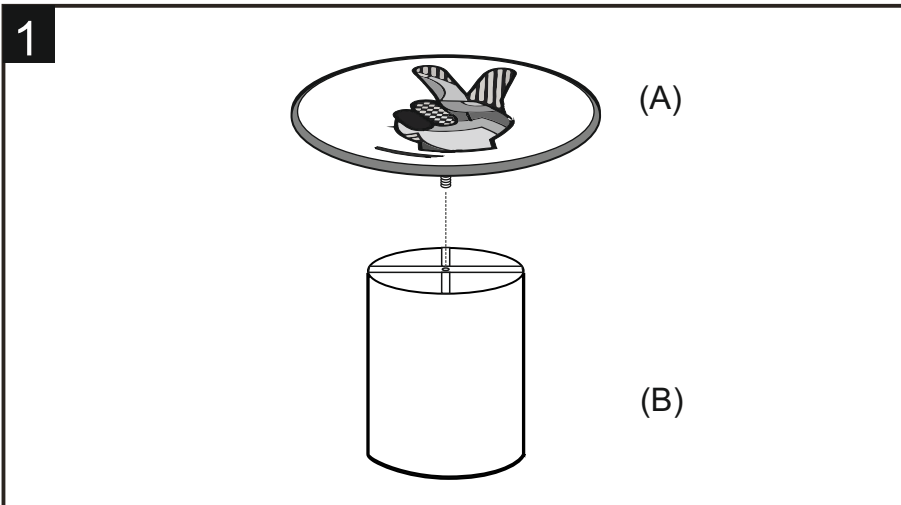


## Part List and Hardware List

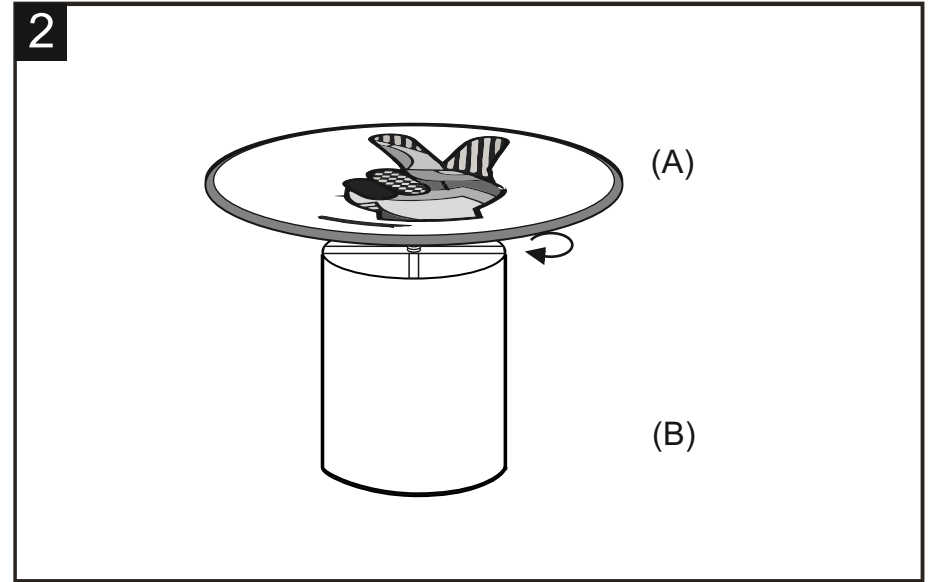
PRICE	DESCRIPTION	PICTURE	QUANTITY
A	TABLE TOP	 Back view      Front view	1X
B	TABLE BASE		1 X

### PREPARATION

Before beginning assembly of product, make sure all parts are present. Compare parts with package contents list and hardware contents list. If any part is missing or damaged, do not attempt to assemble the product. Estimated Assembly Time: 10 minutes.

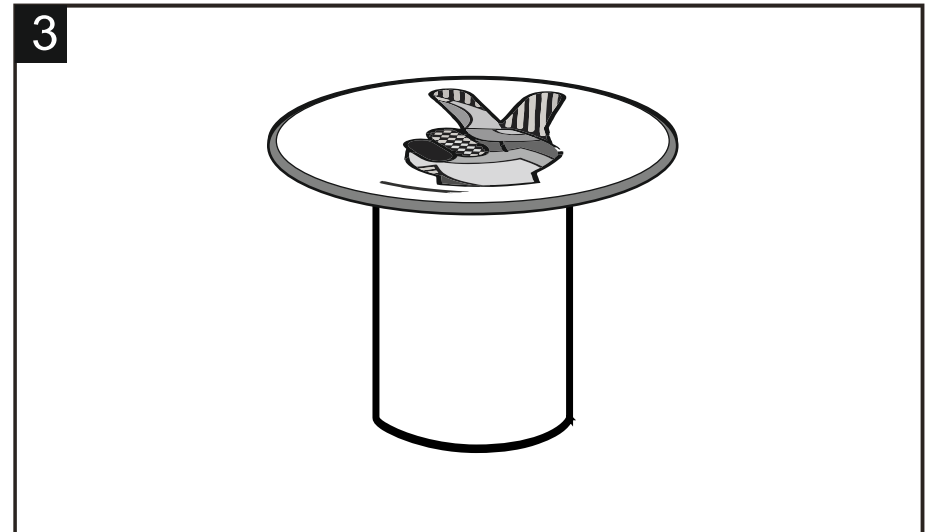


**Step -1** Place the table top (A) on table base(B)



### Step 2

Table top(A) to be Rotate clockwise On Table Base (B)



### Step 3

Table is ready to use.

## CARE AND MAINTENANCE

1. Do not use acids or alkaline cleaning agents.
2. Sharp objects will damage and scratch the surface.
3. Wipe the surface with a soft, damp cloth.
4. Please make sure that you have all parts indicated before you begin assembly of this item
5. This item should be assembled on a soft surface to prevent scratching the finish during assembly
6. This item may require periodic tightening

**PEACE COFFEE TABLE  
TOV-OC18371**

# TOV

## PEACE COFFEE TABLE ASSEMBLY INSTRUCTIONS

