
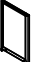













BEIL 247 TWIN LOFT (WHITE)		
SKU #	ITEM #	ITEM DESCRIPTION
37727053	247W-2A	TWIN/LOFT FRAMES & RAILS
37827055	247W-2B	TWIN/LOFT ENDS & LADDER







BEIL 247 TWIN LOFT (GREY)		
SKU #	ITEM #	ITEM DESCRIPTION
37327043	247G-2A	TWIN/LOFT FRAMES & RAILS
37427045	247G-2B	TWIN/LOFT ENDS & LADDER

Thank you for purchasing this quality product. Be sure to check all packing material carefully for small parts, which may have come loose inside the carton during shipment. Identify and count all parts and compare with the Hardware List below

### PART LIST

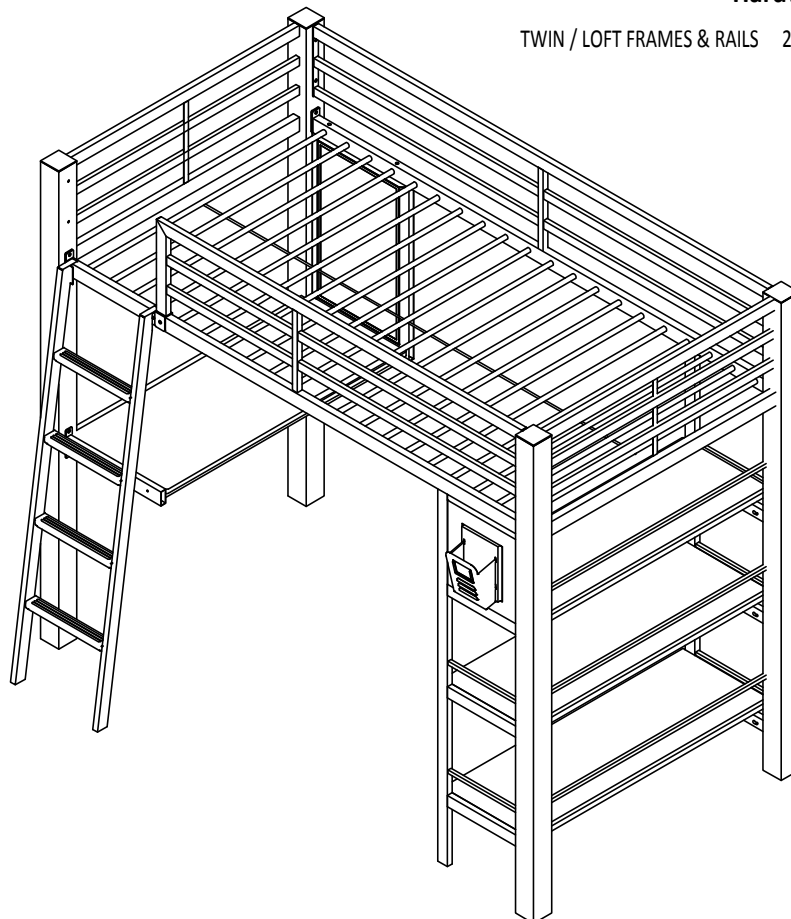
NO	DESCRIPTION	PICTURE	Q'TY	NO	DESCRIPTION	PICTURE	Q'TY	NO	DESCRIPTION	PICTURE	Q'TY
1	LEFT END		1 PC	5	NOTICE FRAME		1 PC	9	DESK BOARD		1PC
2	RIGHT END		1 PC	6	TOP BED FRAME		1 PC	10	SHELF BOARD		3 PCS
3	BACK FRAME		1 PC	7	LONG GUARDRAIL		1 PC	11	CONNECT BAR		1 PC
4	FRONT FRAME		1 PC	8	SHORT GUARDRAIL		1 PC	12	LETTER BOX		1 PC
								13	LADDER		1 PC

### HARDWARE LIST

NO	PICTURE	DIMENSION	Q'TY	NO	PICTURE	DIMENSION	Q'TY	NO	PICTURE	DIMENSION	Q'TY
A		M1/4"x20x1"	30 PCS	C		M1/4"x20x2-3/4"	2 PCS	E		M1/4"x20x2-1/2"	2 PCS
B		M1/4"xL20mm	1 PC	D		M1/4"x20x1-1/4"	5 PCS	F		4-L60 MM	2 PCS

#### Hardware Pack Location (s)

TWIN / LOFT FRAMES & RAILS 247W-2A / 247G-2A SKU# 37727053 / 37327043



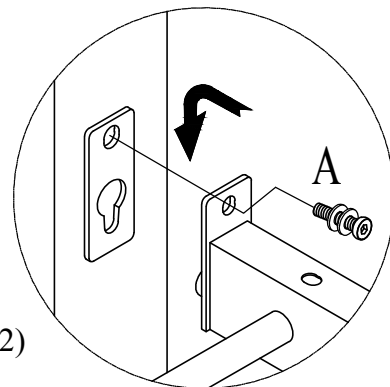
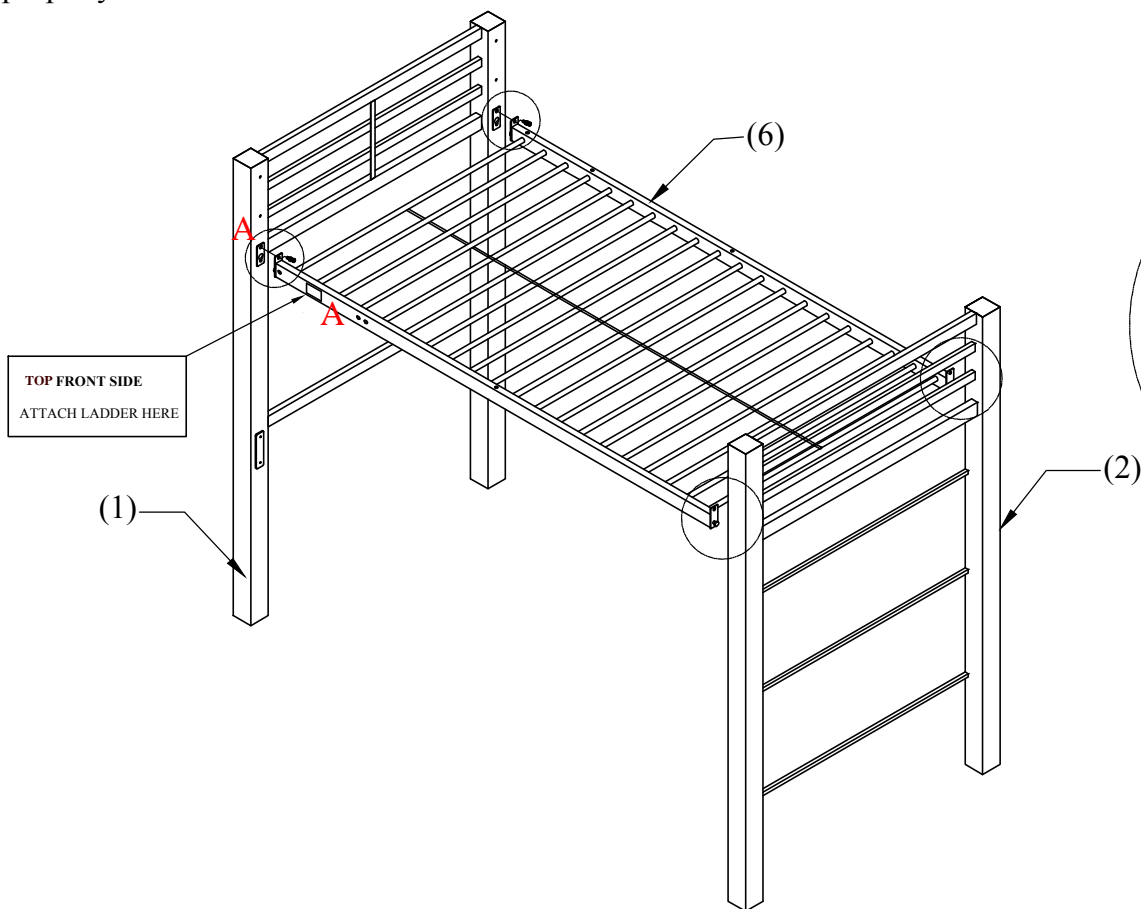
# STEP 1:

## ASSEMBLY

Do not fully tighten all bolts until assembly is complete. This will help all parts to assemble properly.

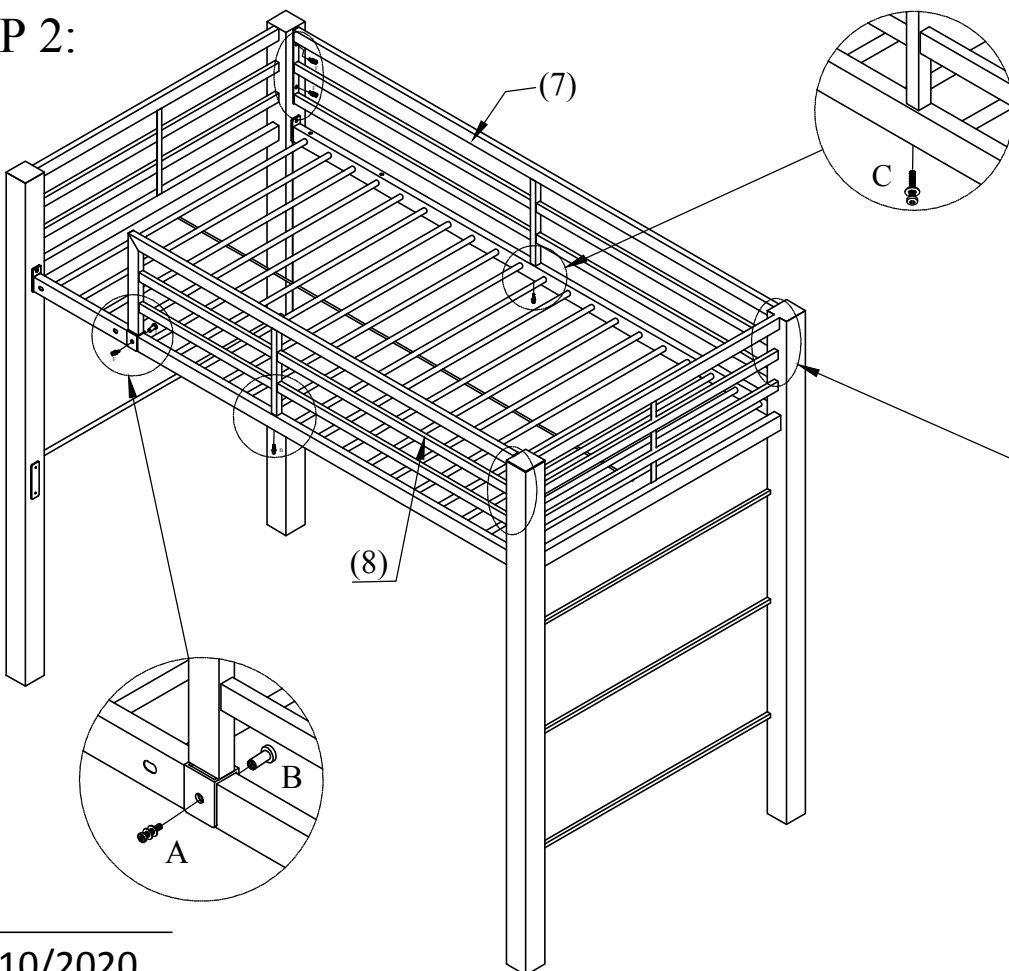
A  4PCS

F 



Align letter A on Top mattress support with the A on the Left side facing end panel

# STEP 2:

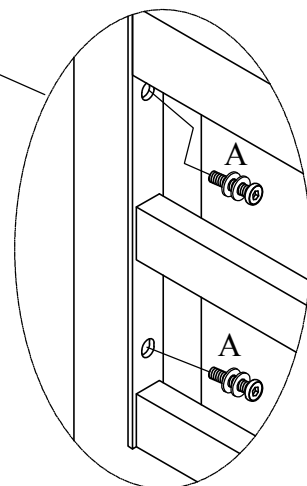
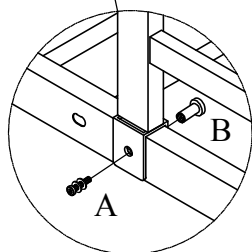
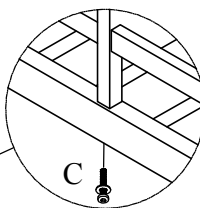


A  7 PCS

B  1 PC

C  2 PCS

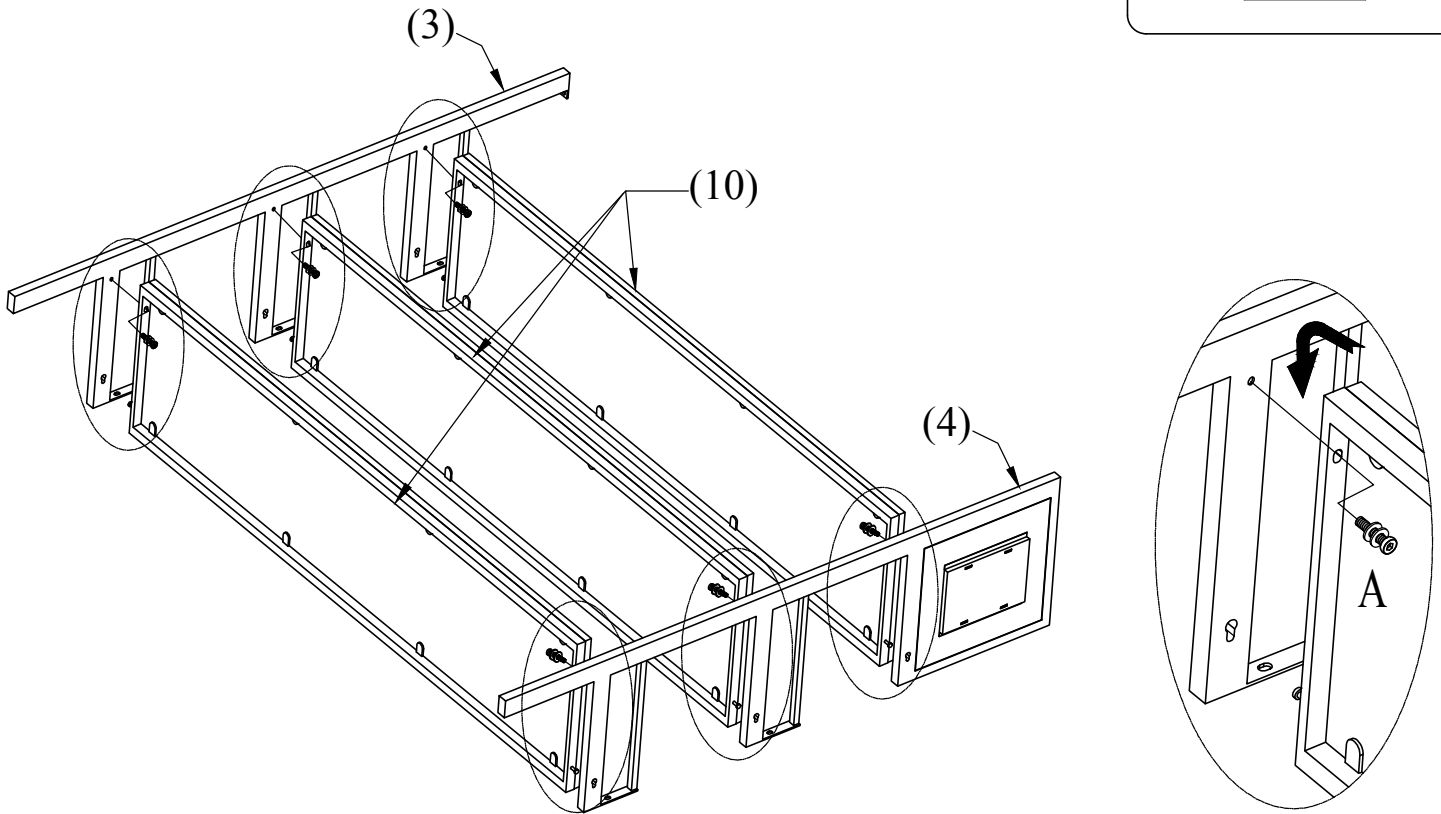
F  2 PCS



STEP 3:

A  6PCS

F 

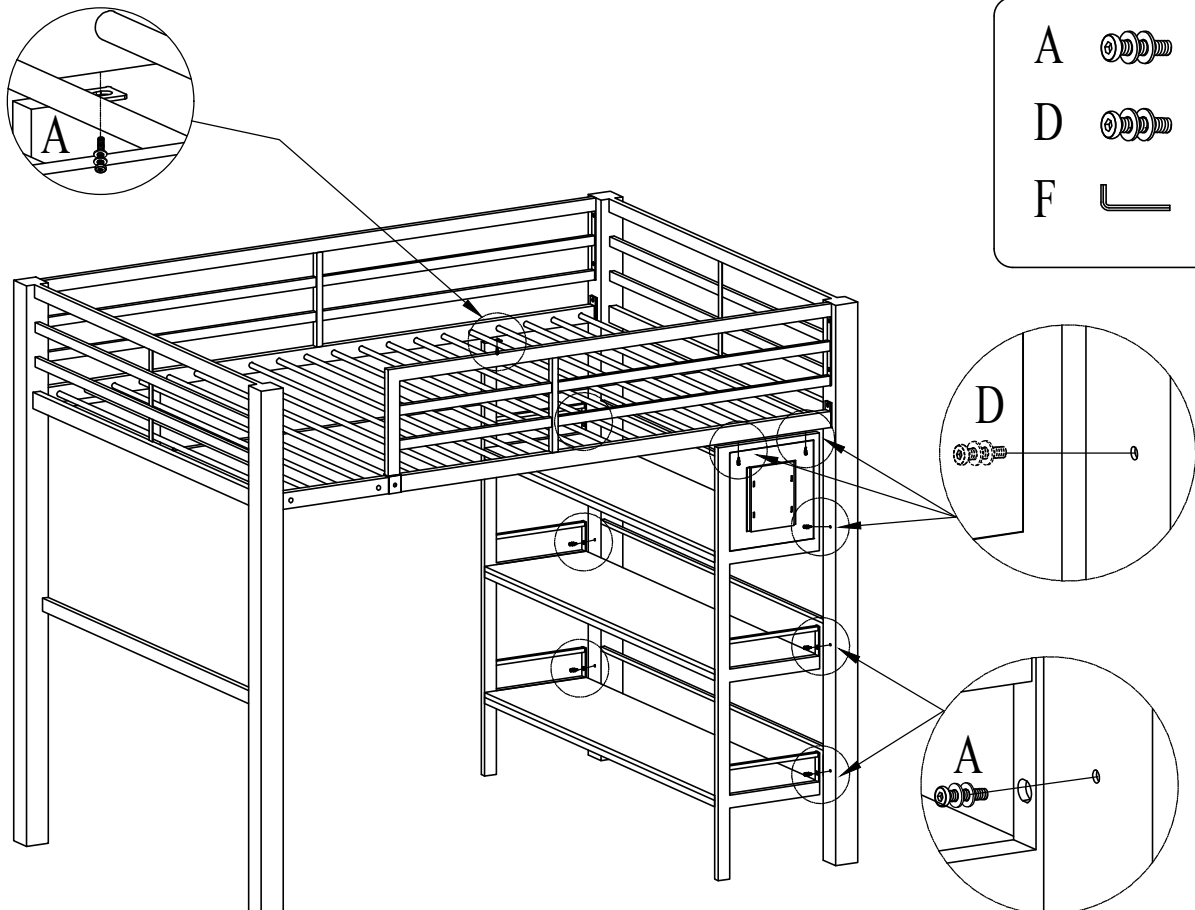


STEP 4:


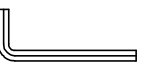
A  6PCS

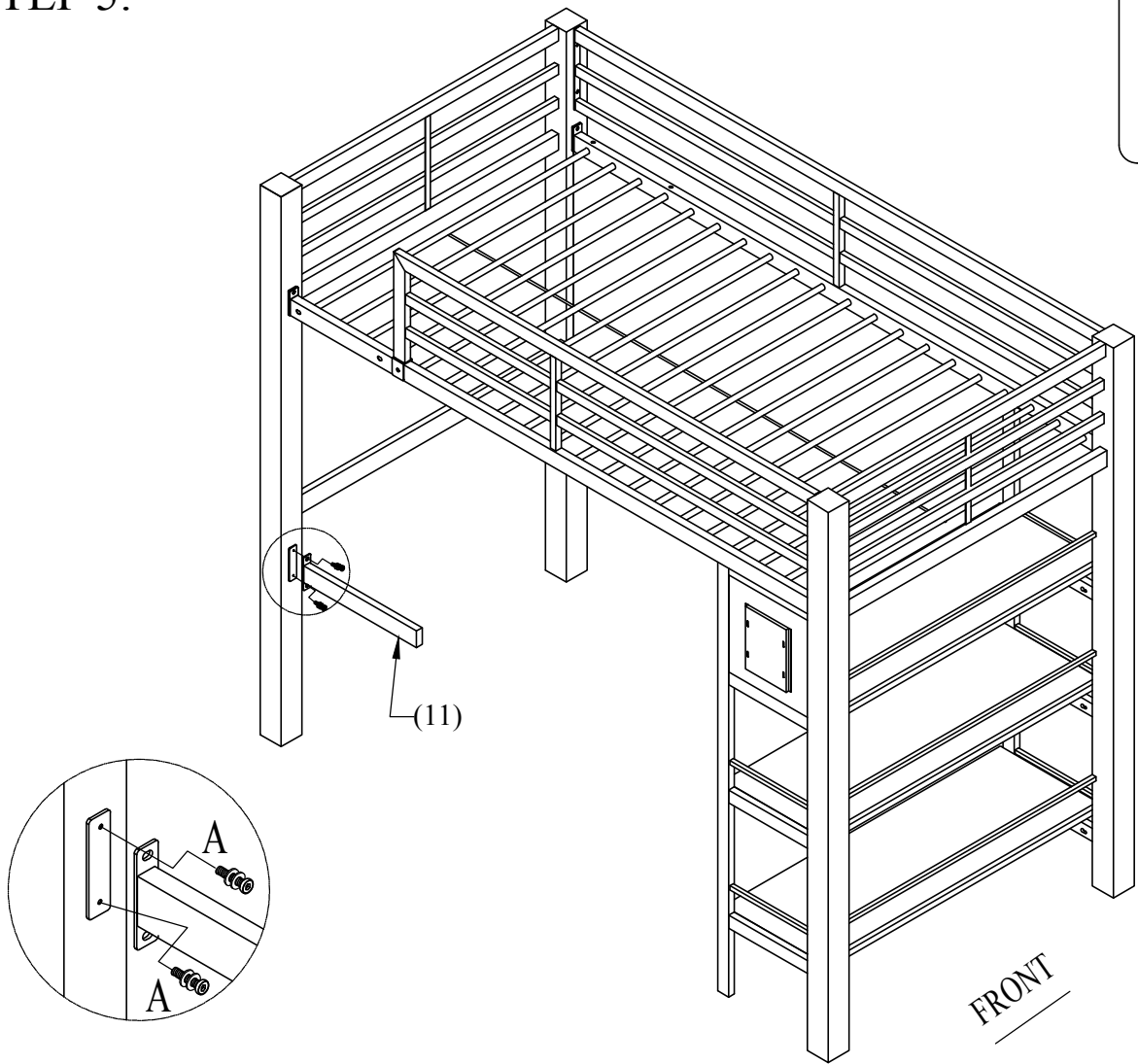
D  3PCS

F 






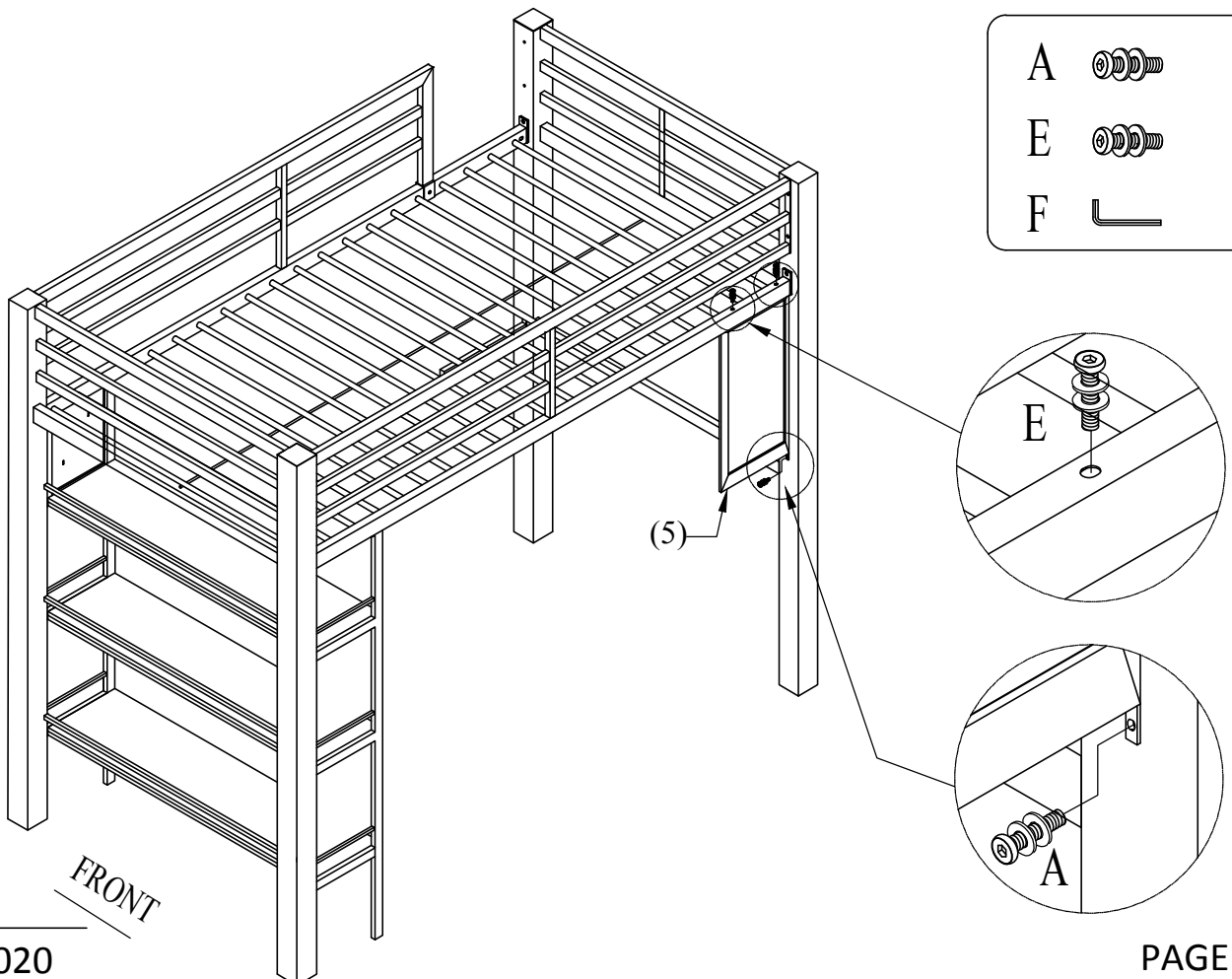
STEP 5:

- A  2PCS
- F 



STEP 6:

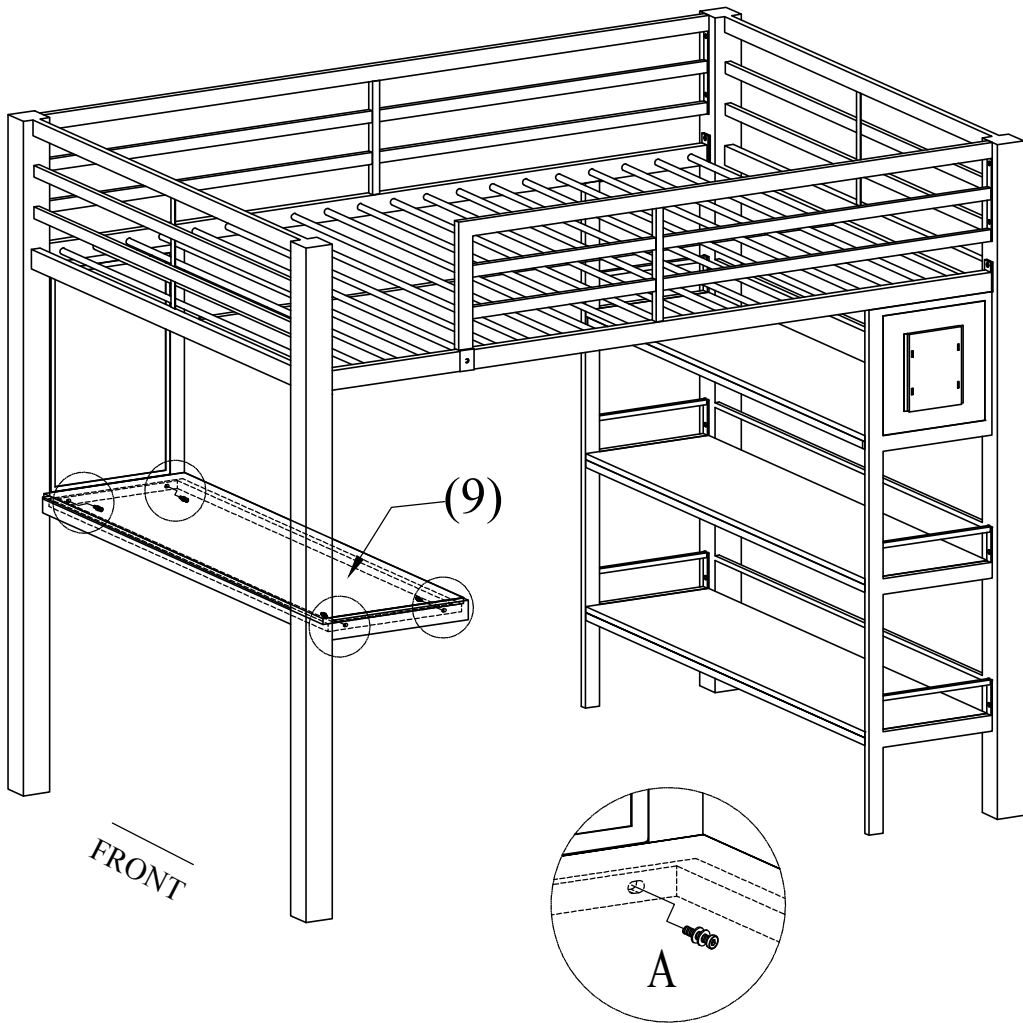
- A  1 PC
- E  2 PCS
- F 



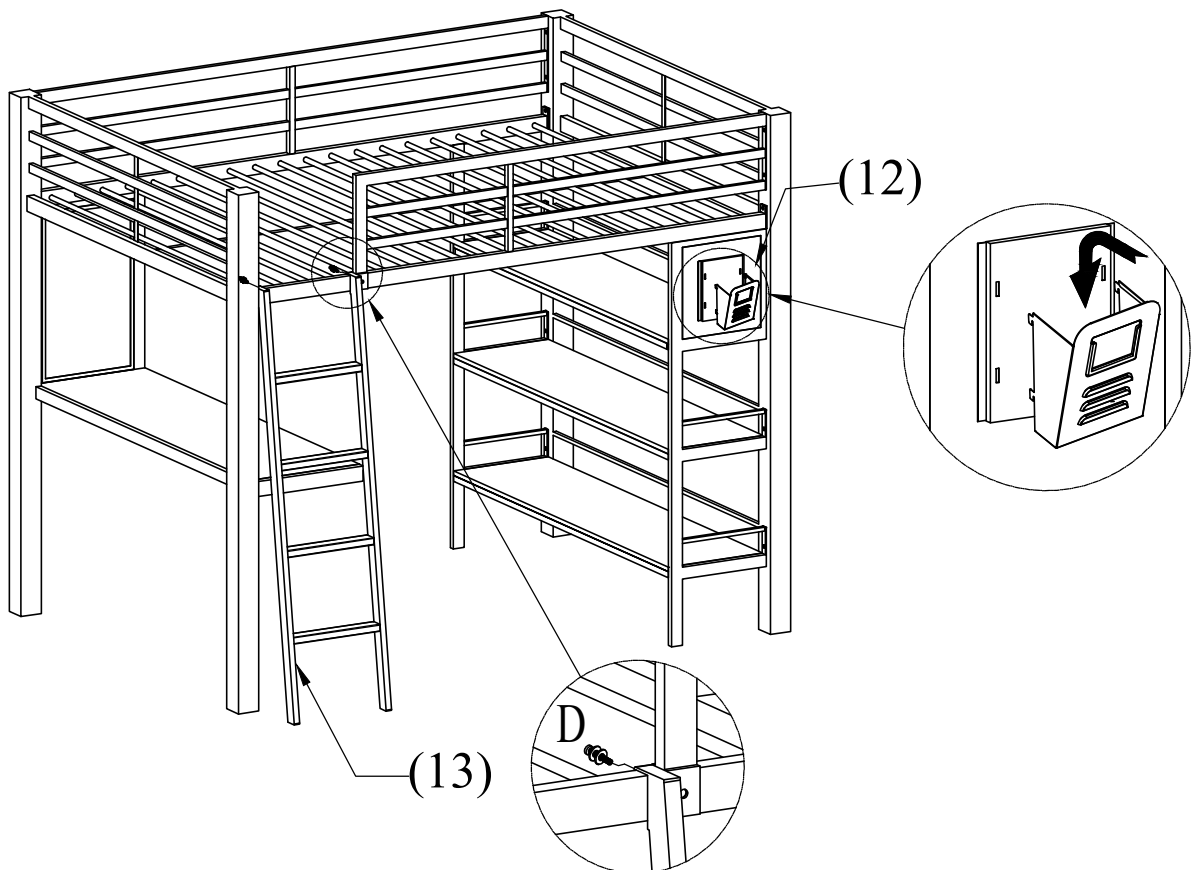
STEP 5:

A  4PCS

F 



STEP 6:



## Safety Warnings

1. Follow the information on the warnings appearing on the upper bunk end structure and on the carton .Do not remove warning label from bed.
2. Always use the recommended size mattress or mattress support, or both, to help prevent the likelihood of entrapment or falls.
3. Ensure thickness of mattress and foundation combined does not exceed "8" " and mattress surface is at least 5 inches (127 mm) below upper edge of guardrails for upper bunk and thickness of mattress and foundation combined does not exceed "10" " for lower bunk .
4. Do not allow children under 6 years of age to use the upper bunk.
5. Periodically check and ensure that the guardrail, ladder, and other components are in their proper position, free from damage, and that all connectors are tight.
6. Do not allow horseplay on or under the bed and prohibit jumping on the bed.
7. Always use the ladder for entering and leaving the upper bunk.
8. Do not use substitute parts ,Contact manufacturer or dealer for replacement parts.
9. Use of a night light may provide added safety precaution for a child using the upper bunk.
10. Always use guardrails on both long sides of the upper bunk.  
If the bunk bed will be placed next to the wall, the guardrail that runs the full length of the bed should be placed against the wall to prevent entrapment between the bed and the wall.
11. The use of water or sleep flotation mattress is prohibited.
12. Keep these instructions for future reference.
13. Use only mattress which is (74"x75")X( 37½"x38½")X6 on upper bunk .
14. Prohibit more than one person on upper bunk.
15. Replacement Parts—Replacement parts, including additional guardrails, may be obtained from any of our (Princemate Vietnam Ltd.) dealers

### STRANGULATION HAZARD:

Never attach or hang items to any part of the bunk bed that are not designed for use with the bed, for example, but not limited to, hooks, belts, and jumpropes.