

ROOMS TO GO

KIDS

Manufactured for Rooms to Go

CREEKSIDE COLLECTION

THANK YOU FOR YOUR PURCHASE



WARNING DANGER

Failure to follow these warnings and assembly instructions could result in serious injury or death. To help prevent serious or fatal injuries from entrapment or falls:

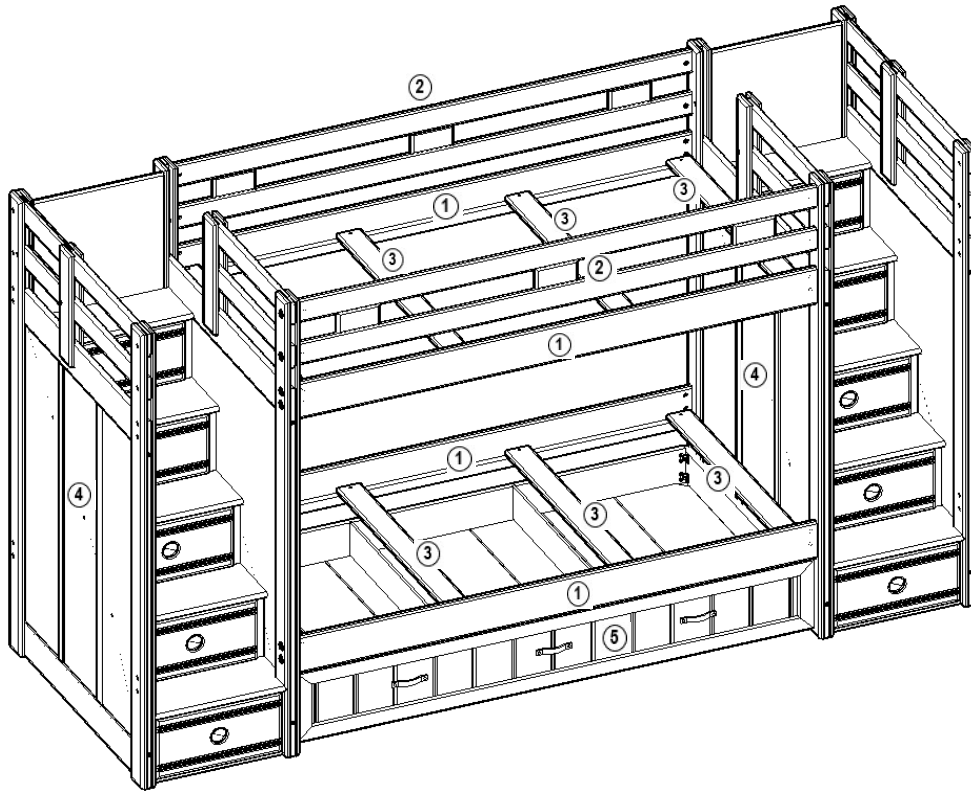
- Read all instructions before assembling bunk bed and keep these instructions for future reference.
- Before each usage or assembly, inspect bunk bed for damaged hardware, loose joints, missing parts, or sharp edges. DO NOT Use bunk bed if any parts are missing or broken.
- DO NOT Use substitute parts. Contact your local Rooms To Go or visit www.ROOMSTOGO.COM for replacement parts and instructional literature if needed.
- Follow the information on the warnings appearing on the upper bunk end structure and on the carton, DO NOT REMOVE WARNING LABEL FROM BED.
- Always use the recommended size mattress or mattress supports, or both to help prevent the likelihood of entrapment or falls.
- Ensure thickness of mattress and foundation combine does not exceed **10 inches (255mm)** and mattress surface is at least **5 inches (127mm)** below upper edge of guardrails.
- Do not allow children under 6 years of age to use the upper bunk.
- Periodically check and ensure that the guardrail, ladder, and other components are in their proper position, free from damage, and that all connectors are tight.
- Do not allow horseplay on or under the bed and prohibit jumping on the bed.
- Limit top bunk use to one person.
- Always use the ladder for entering and leaving the upper bunk.
- Use of night light may provide added safety precaution for a child using the upper bunk.
- Always use guardrails on both long sides of the upper bunk. If the bunk bed will be placed next to the wall, the guardrail that runs the full length of the bed should be placed against the wall to prevent entrapment between the bed and wall.
- The use of water or sleep flotation mattress is prohibited.
- This bunk bed meets all the requirements of ASTM 1427-19.



STRANGULATION HAZARD:

Never attach or hang items to any part of the bunk bed that are not designed for use with the bed; for example, but not limited to, hooks, belts, and jump ropes.

PARTS LIST





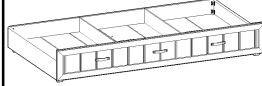


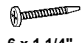



3989503P TWIN/TWIN DOUBLE STAIRS BUNK CHARCOAL		
RTG SKU #	STYLE #	ITEM DESCRIPTION
35495034	95G-160	TWIN STEP BUNK BED END
35495034	95G-160	TWIN STEP BUNK BED END
35795030	95G-730	6 PC SIDE RAILS
38000232	100-645	TWIN SLAT PACK (4)
38000232	100-645	TWIN SLAT PACK (4)
36895033	95G-744	TRUNDLE BED OPTIONAL

3989504P TWIN/TWIN DOUBLE STAIRS BUNK CHESTNUT		
RTG SKU #	STYLE #	ITEM DESCRIPTION
34895043	95B-160	STEP STORAGE UNIT
34895043	95B-160	STEP STORAGE UNIT
35195040	95B-730	6 PC BUNK RAILS
38000232	100-645	TWIN SLAT PACK (4)
38000232	100-645	TWIN SLAT PACK (4)
35895044	95B-744	TRUNDLE BED OPTIONAL

WARNING

The bed slats included with this bed will not support a mattress alone, this bed requires Bunkie boards (sold separately)

PARTS LIST	QTY	PARTS LIST	QTY	HARDWARE LIST	QTY
1  Side rails	4 Pcs	4  Step bunk unit	2 Pc	A  5/16-18 x 50 mm Bolt	24 Pcs
2  Guardrails	2 Pcs	5  Trundle bed (Optional)	1 Pc	B  5 mm Hex key	1 Pc
3  Twin slats	8 Pcs			C  6 x 1 1/4" Drywall screw	16 Pcs
				D  Barrel Nut	24 Pcs

TOOLS NEEDED
Phillips screwdriver (not included)

5 mm Hex key (included)


**TWO PEOPLE ARE NEEDED TO ASSEMBLE
DO NOT TIGHTEN COMPLETELY UNTIL ALL PIECES
ARE CONNECTED TOGETHER**

ASSEMBLY INSTRUCTIONS

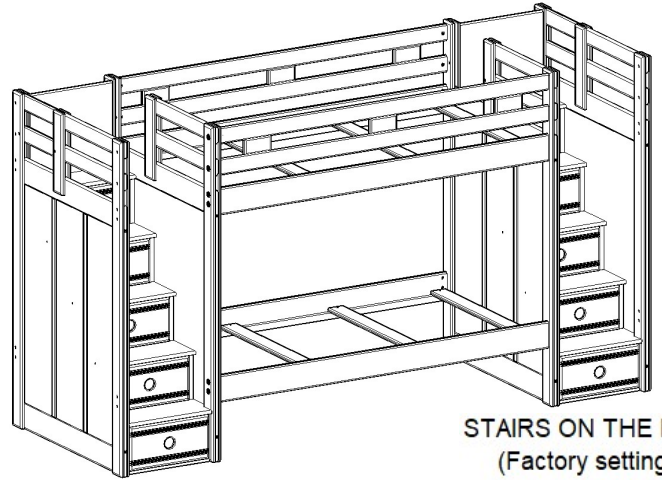
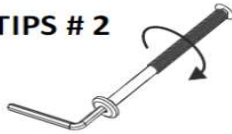
TIPS : SEE ILLUSTRATION BELOW

- 1- Use the long end of the allen wrench to fasten bolts loosely and quickly.
- 2- Use the short end of the allen wrench for final tightening

TIPS # 1



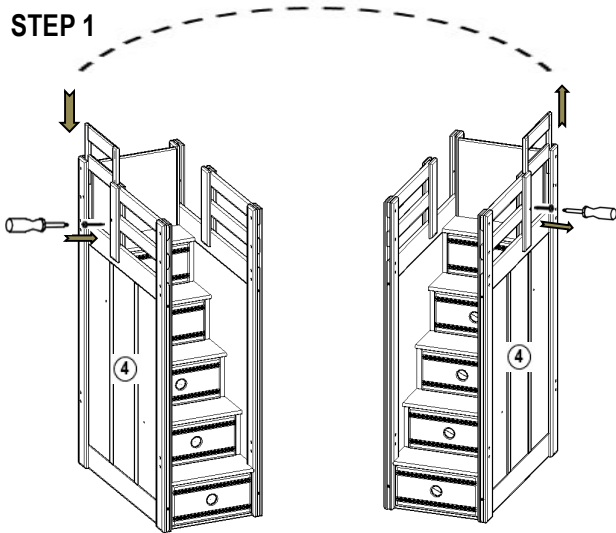
TIPS # 2



**STAIRS ON THE RIGHT
(Factory setting)**

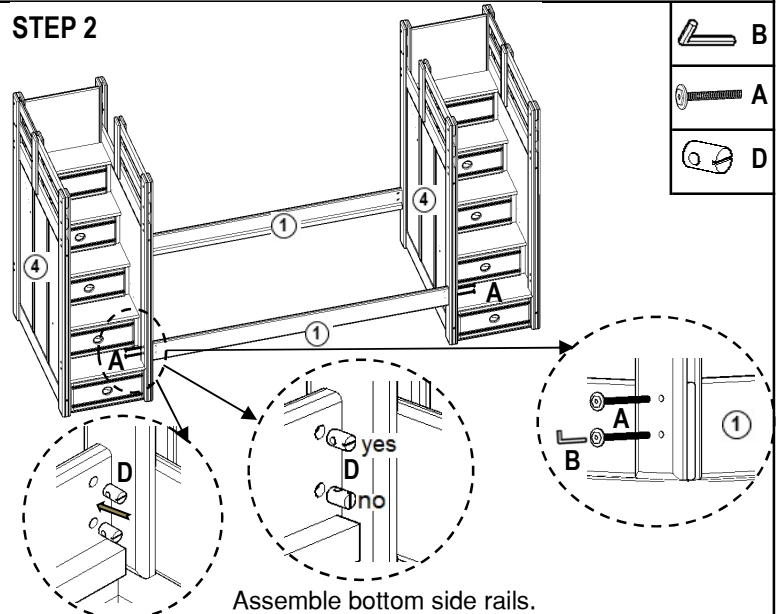
**STAIRS ON THE LEFT
GO TO STEP ONE**

STEP 1



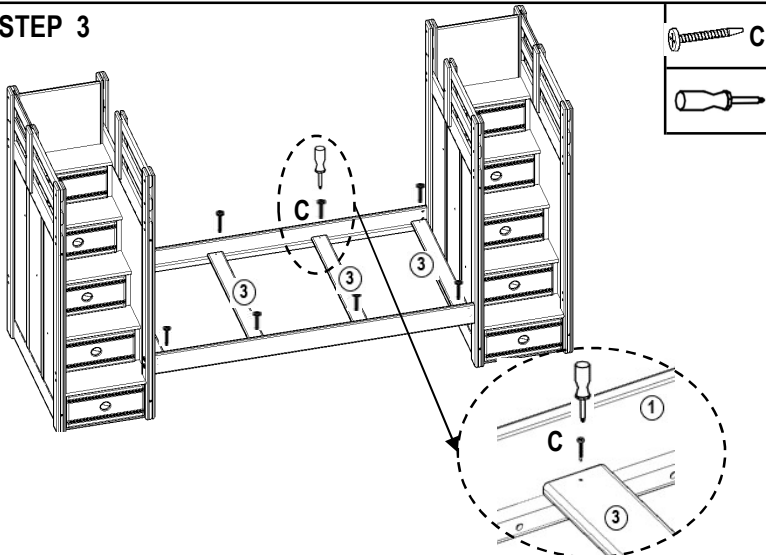
For stairs on the left, first remove the screw, then remove the panel and install it on the other side and secure with the screw.

STEP 2



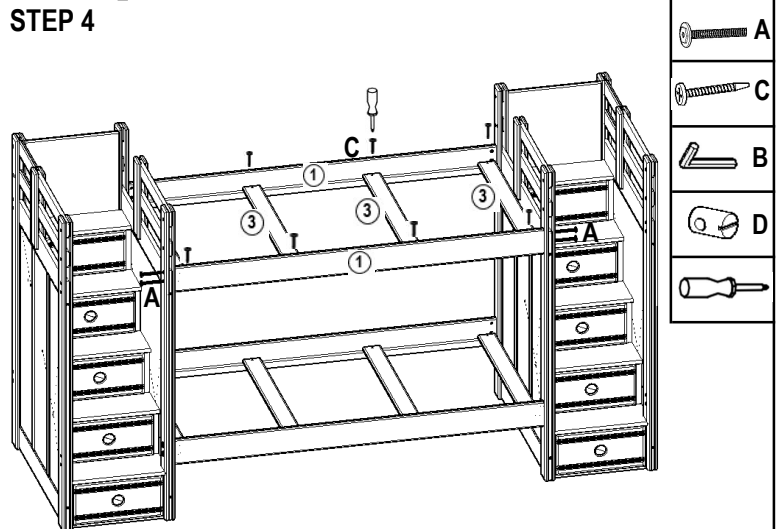
Assemble bottom side rails.

STEP 3



Install slats, one on each end, two equally spaced in the middle, then fasten with 1 1/4" screws.

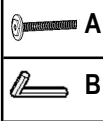
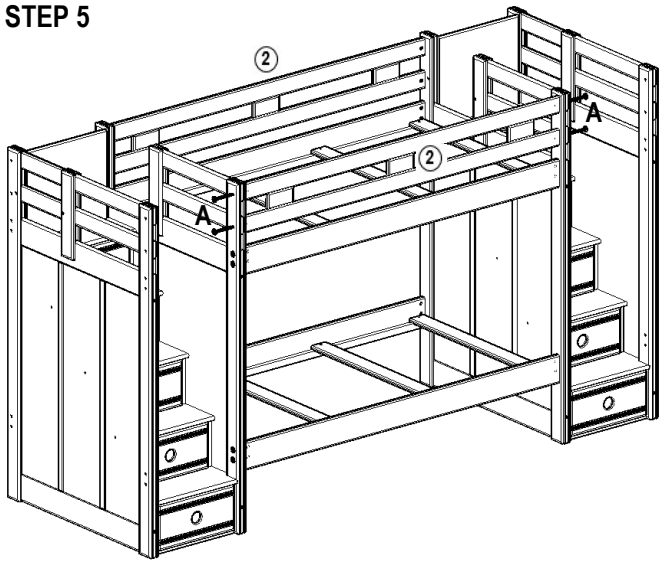
STEP 4



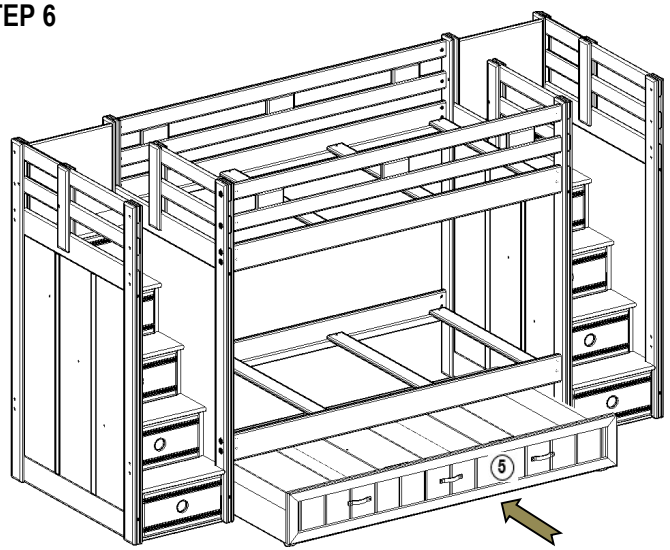
Repeat step 2 & 3 for top set of side rails.

ASSEMBLY INSTRUCTIONS

STEP 5



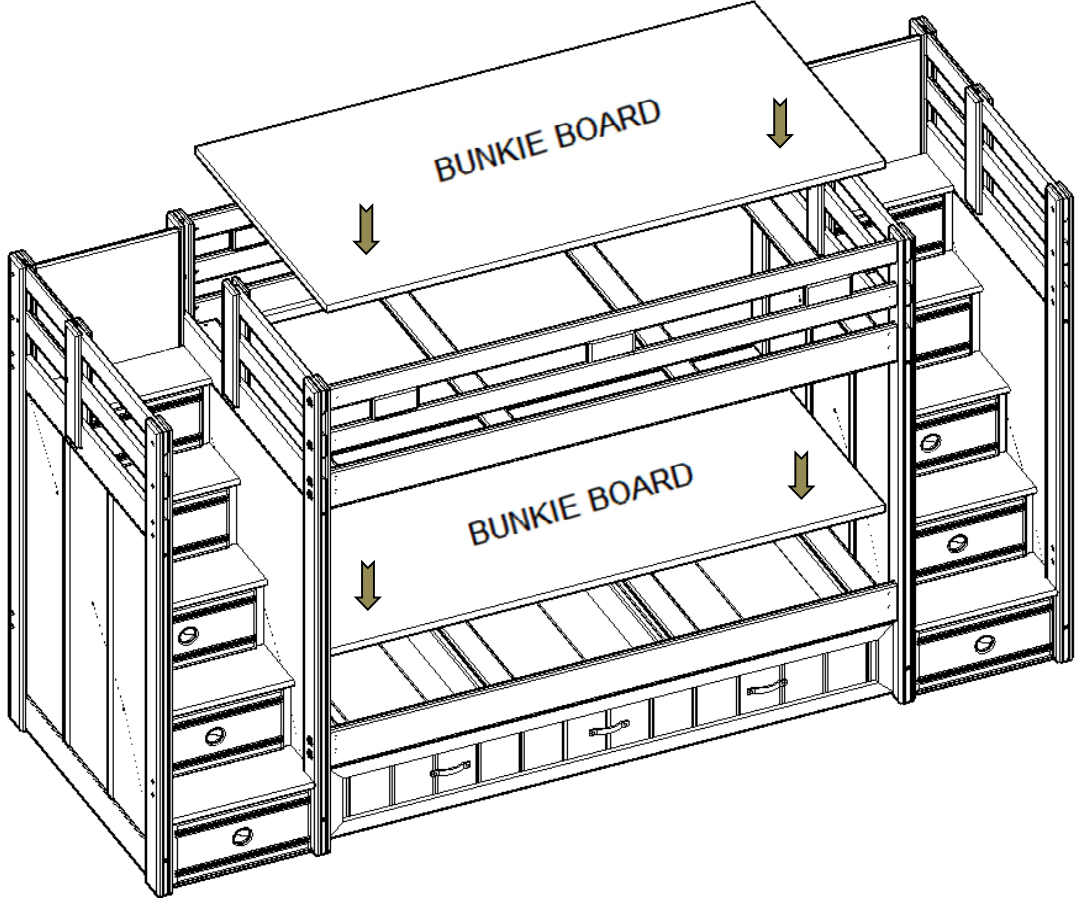
STEP 6



For **optional** Trundle bed follow assembly instructions inside Trundle bed box, then slide under the bed as shown.

Assemble guardrails and tighten all bolts.
MAKE SURE ALL BOLTS ARE TIGHTENED COMPLETELY

STEP 7



Place Bunkie boards (required, sold separately) on top of the slats

Use only correct mattress dimensions and Bunkie board:

- Twin size mattress- 74" - 75" long and 37-1/2" - 38-1/2" wide
- Twin size Bunkie board- 74" long and 37-1/2" wide
- Full size mattress- 74" - 75" long and 52-1/2" - 53-1/2" wide
- Full size Bunkie board- 74" long and 52-1/2" wide

PLEASE CONTACT YOUR RETAIL STORE WITH SERVICE OR PARTS REPLACEMENT REQUEST